

# **VEVOR<sup>®</sup>**

**TOUGH TOOLS, HALF PRICE**

Technical Support and E-Warranty Certificate [www.vevor.com/support](http://www.vevor.com/support)

**SAND BLASTER CABINET**

**MODEL:SBC150**

We continue to be committed to provide you tools with competitive price.

"Save Half", "Half Price" or any other similar expressions used by us only represents an estimate of savings you might benefit from buying certain tools with us compared to the major top brands and does not necessarily mean to cover all categories of tools offered by us. You are kindly reminded to verify carefully when you are placing an order with us if you are actually saving half in comparison with the top major brands.

# VEVOR<sup>®</sup>

TOUGH TOOLS, HALF PRICE

## SAND BLASTER CABINET

**MODEL:SBC150**



### NEED HELP? CONTACT US!

Have product questions? Need technical support? Please feel free to contact us:

**Technical Support and E-Warranty Certificate**  
**[www.vevor.com/support](http://www.vevor.com/support)**

This is the original instruction, please read all manual instructions carefully before operating. VEVOR reserves a clear interpretation of our user manual. The appearance of the product shall be subject to the product you received. Please forgive us that we won't inform you again if there are any technology or software updates on our product.



Warning-To reduce the risk of injury, user must read instructions manual carefully.

## 1. SAFETY INSTRUCTIONS

### 1.1. ELECTRICAL SAFETY

#### REGARDING DIRECT MAINS POWER USE WITH THE TRANSFORMER PLUG.

**WARNING!** It is the user's responsibility to read, understand and comply with the following electrical instructions;

You must ensure the risk of electric shock is minimized by the installation of appropriate safety devices. An RCCB (Residual Current Circuit Breaker) should be incorporated in the main distribution board. We also recommend that an RCD (Residual Current Device) is used with all electrical products, particularly portable equipment which is plugged into an electrical supply not protected by an RCCB.

**You must** also read and understand the following instructions concerning electrical safety.

**1.1.1.The Electricity At Work Act 1989** requires all portable electrical appliances, if used on business premises, to be tested by a qualified electrician, using a Portable Appliance Tester (PAT), at least once a year.

**1.1.2.The Health & Safety at Work Act 1974** makes owners of electrical appliances responsible for the safe condition of the appliance and the safety of the appliance operator. **If in any doubt about electrical safety, contact a qualified electrician.**

#### **1.1.3.You must ensure that you:**

√ Inspect the transformer plug, cable, and plug for wear and damage to ensure items are safe before connecting to the mains power supply. If worn or damaged **DO NOT** use and immediately replace or contact a qualified electrician.

√ Check cables are always protected against short circuit and overload.

√ Important: Check that the voltage marked on the transformer plug is the same as the power supply to be used.

√ Uncoil the lead from the transformer before use.

- × **DO NOT** attempt to pull the transformer plug from the mains socket by the lead.
- × **DO NOT** use any other type of transformer with the cabinet.
- × **DO NOT** try to open or dis-assemble the transformer plug or charging base.
- × **DO NOT** use the transformer plug to power any other electrical item.
- × **DO NOT** get the transformer wet, or use in wet, damp conditions (for indoor use only).

**WARNING! NEVER** substitute a standard 13 amp 3 pin plug, or any other type of plug, for the transformer plug.

## **1.2 GENERAL SAFETY**

**WARNING!** Ensure Health & Safety, government and local authority regulations relating to the the use of shot blasting are adhered to when using this equipment. Familiarize yourself with the applications. limitations and potential hazards peculiar to the cabinet.

**WARNING!** Disconnect the cabinet from the mains power and the air supply before attempting to change accessories or carry out any servicing or maintenance.

√ Maintain the cabinet in good condition Replace or repair damaged parts. Use genuine parts only. Unauthorized parts may be dangerous and will invalidate the warranty.

√ Locate cabinet in a suitable work area and keep area clean.tidy and free from unrelated materials. Ensure there is adequate lighting.

√ Use only dry abrasives such as proprietary brands of glass beads. silicon carbide, aluminum oxide and silica sand. Never use fluids or mix fluids with another media in the unit.

**WARNING!** Always wear approved eye or face and ear protection when operating the cabinet.

√ Keep the unit lid closed and secured when in use.

**WARNING!** Ensure correct air pressure is maintained and not exceeded.(Max 90psi).

√ Always keep the blast nozzle directed at the workpiece. Never use outside the unit and always use with the lid closed.

√ Regularly check that the exhaust vent at the back of the cabinet is clear and not blocked and that there is space between it and any wall.

√ Maintain correct balance and footing. Ensure the floor is clean and free from blasting media spillage. Wear non-slip shoes.

√ Remove ill fitting clothing. Remove ties, watches, rings, and other loose jewellery and contain and/or tie back long hair.

√ Keep children and non-essential persons away from the work area.

× **DO NOT** use the cabinet for a task it is not designed to perform.

× **DO NOT** operate the cabinet if any parts are damaged or missing as this may cause failure and/or personal injury.

× **DO NOT** operate the cabinet with the lid open.

× **DO NOT** stand on the cabinet.

× **DO NOT** get the cabinet wet or use in damp or wet locations or areas where there is condensation.

× **DO NOT** operate the cabinet when you are tired or under the influence of alcohol, drugs or intoxicating medication.

× **DO NOT** leave the cabinet operating unattended.

√ When not in use disconnect from the electrical mains and the air supply.

**NOTE!** We strongly recommend that a suitable dust extraction system is used with this unit if dust extraction is not used, media may be forced out of the joints as pressure builds up. You can alleviate this to some extent by removing the white blanking plug(Fig.1) situated on the upper left corner at the rear of the tank when viewed from the front. This however will not substitute a suitable dust extraction system.

## **2. DESCRIPTION & SPECIFICATION**

The SBC150 shot blasting cabinet is constructed of steel with double side doors, replaceable viewing screen and internal illumination.

Supplied with a shot blasting gun the unit is suitable for glass beads, silicon carbide, aluminum oxide and silica sand. Excellent for use in a wide variety of workshop

and body shop cleaning applications. The cabinet requires a standard, clean, dry,

### 3. OPERATING INSTRUCTIONS

**WARNING!** Ensure you read, understand and apply safety instructions in section 1 before using the unit.

**NOTE!** We strongly recommend that a suitable dust extraction system is used with this unit.

If dust extraction is not used, media may be forced out of the joints as pressure builds up. You can alleviate this to some extent by removing the white blanking plug (Fig.1) situated on the upper left corner at the rear of the tank when viewed from the front. This However will not substitute a suitable dust extraction system.

3.1. Connect the air supply to the inlet on the front of the cabinet. Ensure the gun valve is in the "off" position before connecting the air supply.

3.2. Check all fittings to ensure that there are no air leaks.

3.3. Pour the abrasive media into the centre of the cabinet. DO NOT use more than 10lbs (4.5kg). Excessive amounts of abrasive will impair visibility. create poor blasting performance and could block the air exhaust.

3.4. Fit suitably sized jet(33A) and nozzle (33) into the gun bore and retain with the set screws. The larger the abrasive particles the larger the jet and nozzle required.

3.5. Plug the transformer into a mains socket and the transformer lead into the socket on the back of the cabinet.

3.6. Place the workpiece in the cabinet and close and latch the door(s) securely.

**WARNING!** Failure to securely close the doors could result in damage and/or personal injury.

3.7. Turn on light (switch to left of viewing window) and air supply and insert hands into cabinet gloves. Grasp gun and depress the trigger to start the blasting process.

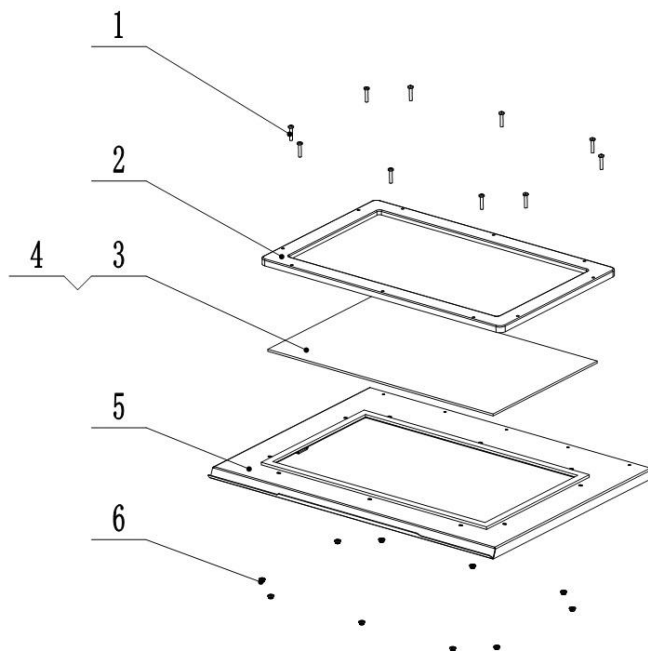
3.8. Move the blast media(which looks like steam) continuously over the workpiece in an even and circular motion. To avoid undesirable peening the flow should not be too hard or concentrated. The surface finish may vary from coarse to fine depending on the size of the abrasive media. On delicate workpieces, to avoid unnecessary peening or excessive abrasion, begin the blasting with a low airflow.

## 4. TROUBLESHOOTING

PROBLEM	POSSIBLE CAUSE	REMEDY
Excessive dust in the cabinet.	1 Exhaust vent or air flow is blocked. 2 Abrasive is worn. 3 Too much abrasive in the cabinet. 4 Loose air line or fittings.	1 Clean vent and keep vent away from any wall. Connect to a suitable dust exaction system 2 Replace 3 Remove excess 4 Check and tighten all air fittings.
Uneven blasting.	1 Too much abrasive in cabinet. 2 Moisture inside cabinet.	1 Remove excess 2 Check air line for moisture
Inadequate speed or efficiency of blast.	1 Abrasive is worn. 2 Pressure is too low	1 Replace 2 Check that there are no supply blockages or leaks Increase pressure. Max;90psi
Static electricity.	1 Dry weather conditions	1 Leave the work piece to stand for a while
Blast pattern too wide or ineffective.	1 Nozzle blocked or be worn	1 Unblock or replace nozzle

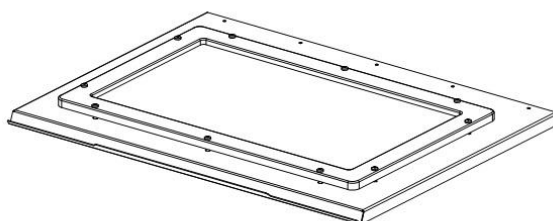
## 5. INSTALLATION INSTRUCTION

### Step 1 Assemble the view window



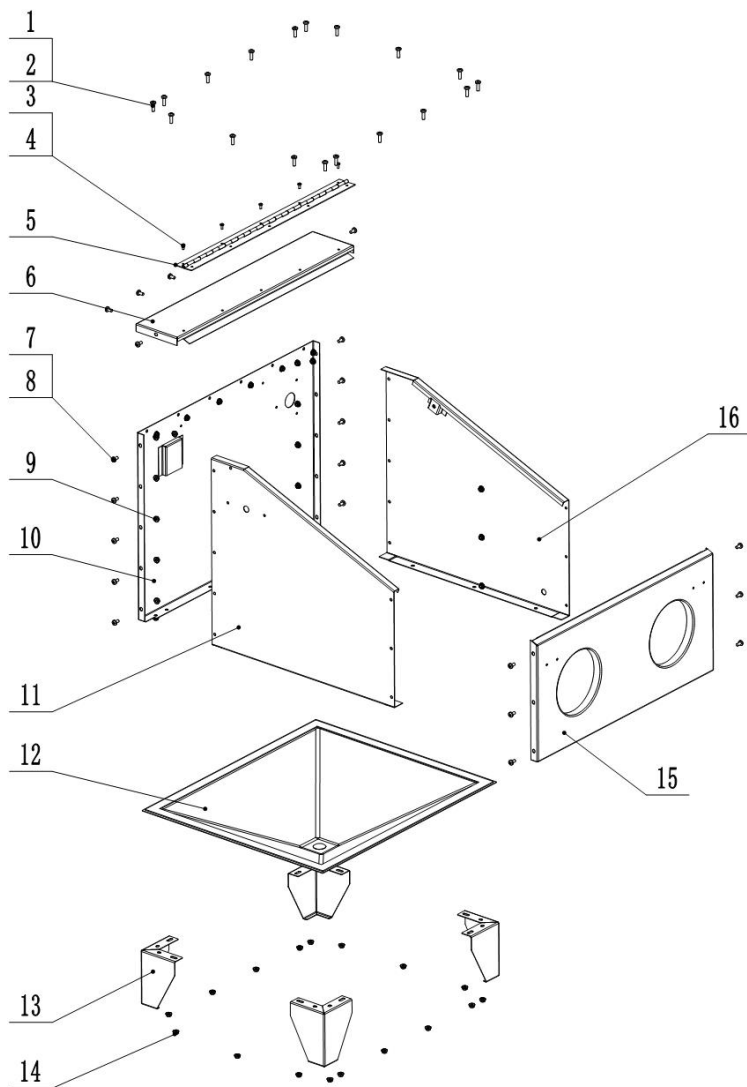
Put the plexiglass(No.3) on the window sheet(No.5), then cover the plastic frame(No.2). Fix above 3 parts by cross pan head screw and nut of M5\*25(No.1&6). Please peel the original film of the glass before use.

**Please remove the original glass film of window surface when all assembly is finished.**





## Step 2 Assemble cabinet



1. Connect left cabinet plate(No.11), right cabinet plate(No.16) with rear cabinet plate(No.10) by M6\*12 screw(No.7),washer(No.8) and nut (No.8) . Connect front plate(No.15) with left and right plates. Finally, connect top plate(No.6) with other

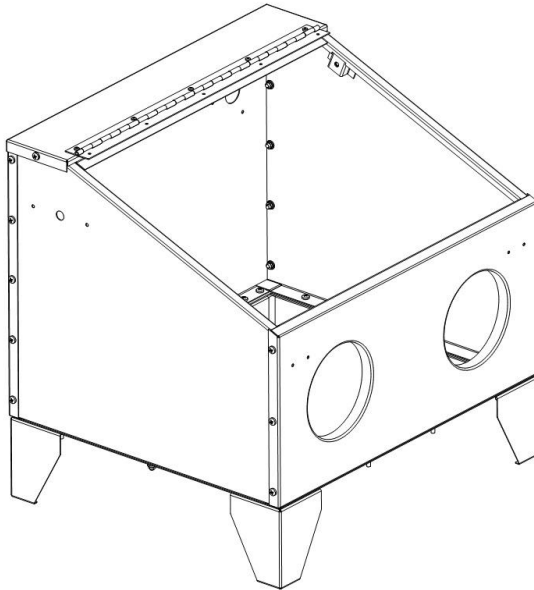
three plates.

2. Fix hinge(No.5) with front plate by M4\*10 screw(No.3)and nut (No.4).
3. Connect sand funnel (No.12) and legs(No.13) with cabinet assembly by M6\*16 (No.1),washer(No.2) and nut (No.14)
4. Put the black funnel cover on the funnel bottom.

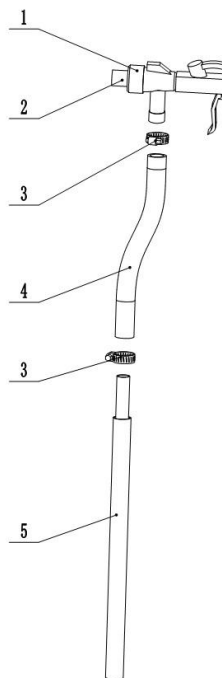
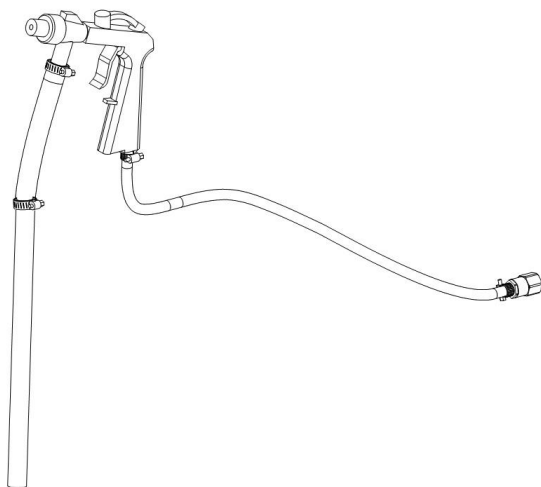
**Note:** Please do not tight each when assembly, make all plate are in right place.

After  
parts,  
each

connect all  
then tight  
screw.

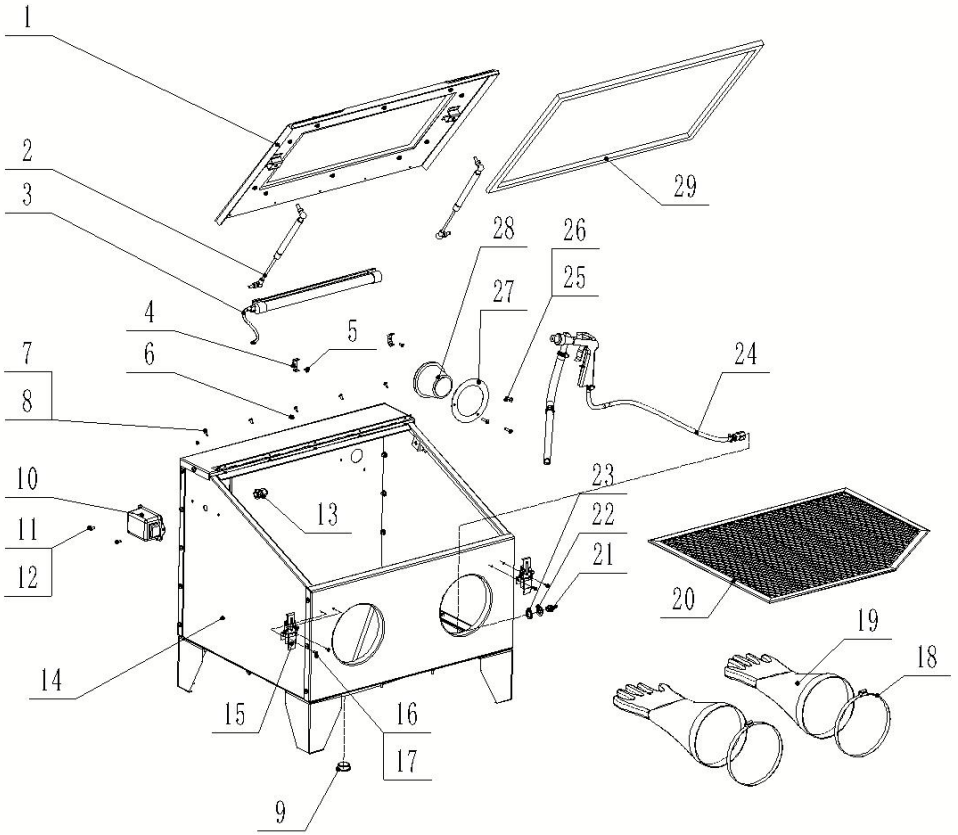


### Step3 Assemble blasting gun



1. Connect sand hose (No.4) with gun(No.2), clamp (No.3)it.Connect sand pipe (No.5) into sand hose and clamp it tightly.
2. Connect air hose (No.8) with gun and clamp(No.7) it. Then connect air connector (No.6), inner thread connector(No.9). Please wrap 5 circles Teflon tape clockwise rotation on the air connector to avoid leakage.

#### **Step4 Assemble full machine**



1. Put the net (No.20)into cabinet(No.14).
2. Put the gun assembly (No.24) into cabinet (No.14), then put the steel washer (No.22),rubber washer(No.23) on the air connector(No.21) in turn. Wrap 5 circles teflon tape clockwise rotation on the joint and connect with the inner thread connector of the cabinet .
3. Assemble the gloves(No.19) ,please note the left and right direction difference and clamp them.(No.18)
4. Assemble the door locker(No.15) with front plate by M4\*10 screw(No.16) and nut(No.17).
5. Put the filter(No.28) into filter plate(No.27) and fix with the inside of rear cabinet plate by M5\*20 screw(No.25) and nut(No.26).

6. Assemble the LED lamp (No.3) with lamp clips(No.4) by M4\*10 screw(No.5) and nut(No.6).
7. Put the lamp wires into sealing joint(No.13) and insert it into the left cabinet plate. Tight the joint. Connect the wire with the switch box (No.10) and fix with cabinet by M5\*10 screw(No.11) and nut(No.12).
8. Fix the viewing window(No.1) with the hinge of cabinet by M4\*10 screw(No.7) and nut(No.8).
9. Fix the gas spring (No.2) to viewing window and cabinet.
10. Stick the sealing foam around the inside of the viewing window.
11. Block the black cover(No.9) on the bottom.

**Note:**

- 1.The chamfer side of the mesh should be placed on the air intake side of the cabinet which is convenient to insert the sand pipe.
2. The sealing joint should be unscrewed, then insert the wires and screw again.
3. The stainless steel parts of air spring should be downwards.

## 6. PACKING LIST

No.	Name	Q'ty	No.	Name	Q'ty
<b>1</b>	Window plate	1	<b>17</b>	Hex nut M4 of door lock	4
<b>1-1</b>	Plexiglass (with 1 film)	1	<b>18</b>	Glove clamp	2
<b>1-2</b>	Window frame	1	<b>19</b>	Glove (pair)	1
<b>1-3</b>	Cross pan head screw & nut M5*25	10	<b>20</b>	Working net	1

<b>2</b>	Gas spring	2	<b>21</b>	Air connector1/4-Ø6	1
<b>3</b>	Led Lamp	1	<b>22</b>	Steel washer Ø13	1
<b>4</b>	Lamp clip	2	<b>23</b>	Rubber washer Ø12.5	1
<b>5</b>	Cross countersunk screw M4*16 of lamp clip	2	<b>24</b>	Blasting gun assembly	1
<b>6</b>	Hex nut M4 of lamp clip	2	<b>24-1</b>	Air connector1/4-Ø6	2
<b>7</b>	Hinge	1	<b>24-2</b>	Air hose	1
<b>8</b>	Cross pan head screw & nut M4*10 of hinge	10	<b>24-3</b>	Inner thread connector 1/4"	1
<b>9</b>	Black funnel cover	1	<b>24-5</b>	Clamp Ø16-Ø25	2
<b>10</b>	Switch box	1	<b>24-6</b>	Clamp Ø8-Ø12	2
<b>11</b>	Cross pan head screw M5*10	2	<b>24-7</b>	Nozzle (4.5mm)	1
<b>12</b>	Hex nut M5	2	<b>24-8</b>	Sand hose	1
<b>13</b>	Sealing joint	1	<b>24-9</b>	Sand pipe	1
<b>14</b>	Cabinet assembly	1	<b>25</b>	Cross pan head screw M5*20	3
<b>14-1</b>	Top cabinet plate	1	<b>26</b>	Hex flange nut M5	3
<b>14-2</b>	Front cabinet plate	1	<b>27</b>	Filter plate	1
<b>14-3</b>	Rear cabinet plate	1	<b>28</b>	Filter	1
<b>14-4</b>	Left cabinet plate	1	<b>29</b>	Sealing foam 2.2M	1
<b>14-5</b>	Right cabinet plate	1	<b>31</b>	Transformer	1
<b>14-6</b>	Cross pan head screw,washer &nut M6*12	24	<b>32</b>	Nozzle (5, 6, 7mm)	3
<b>14-7</b>	Leg	4	<b>33</b>	Plexiglass protective film	3
<b>14-8</b>	Sand funnel	1	<b>34</b>	Teflon tape	1
<b>14-9</b>	Cross pan head screw ,washer &nut M6*16	18	<b>35</b>	Silicone sealant 50g	1
<b>15</b>	Door lock	2	<b>36</b>	Manual	1

16	Cross pan head screw M4*10	4			
----	-------------------------------	---	--	--	--

***Important Note:***

- 1. Due to logistics reasons, few metal sheets may become slightly deformed, which could be corrected by simple tools. Normally it is easily done. But please consult customer service if the correction is still not in place after you try. Customer service staff will provide proper solutions in time.*
- 2. The sealing foam can be punctured with a screwdriver before assembly to facilitate the installation of screws (the holes would be hidden by sealing foam).*

**7. FCC Information**

**CAUTION:** Changes or modifications not expressly approved by the party responsible for compliance could void the user's authority to operate the equipment!

This device complies with Part 15 of the FCC Rules. Operation is subject to the following two conditions:

- 1) This product may cause harmful interference.
- 2) This product must accept any interference received, including interference that may cause undesired operation.

**WARNING:** Changes or modifications to this product not expressly approved by



the party responsible for compliance could void the user's authority to operate the product.

**Note:** This product has been tested and found to comply with the limits for a Class B digital device pursuant to Part 15 of the FCC Rules, These limits are designed to provide reasonable protection against harmful interference in a residential installation.

This product generates, uses and can radiate radio frequency energy, and if not installed and used in accordance with the instructions, may cause harmful interference to radio communications. However, there is no guarantee that interference will not occur in a particular installation. If this product does cause harmful interference to radio or television reception, which can be determined by turning the product off and on, the user is encouraged to try to correct the interference by one or more of the following measures.

- Reorient or relocate the receiving antenna.
- Increase the distance between the product and receiver.
- Connect the product to an outlet on a circuit different from that to which the receiver is connected.
- Consult the dealer or an experienced radio/TV technician for assistance.

## 8. CORRECT DISPOSAL



This product is subject to the provision of European Directive 2012/19/EU. The symbol showing a wheeled bin crossed through indicates that the product requires separate refuse collection in the European Union. This applies to the product and all accessories marked with this symbol. Products marked as such may not be discarded with normal domestic waste, but must be taken to

collection point for recycling electrical and electronic devices.

**Address:** Baoshanqu Shuangchenglu 803long 11hao 1602A-1609shi Shanghai

**Imported to AUS:** Shuangchenglu 803nong11hao1602A-1609shi, baoshanqu, shanghai 200000 CN.

**Imported to USA:** Sanven Technology Ltd. Suite 250, 9166 Anaheim Place, Rancho Cucamonga, CA 91730

<b>UK</b>	<b>REP</b>
-----------	------------

YH CONSULTING LIMITED.  
C/O YH Consulting Limited Office 147,  
Centurion House, London Road,  
Staines-upon-Thames, Surrey, TW18 4AX

<b>EC</b>	<b>REP</b>
-----------	------------

E-CrossStu GmbH.  
Mainzer Landstr.69, 60329 Frankfurt am Main.

**VEVOR<sup>®</sup>**

**TOUGH TOOLS, HALF PRICE**

**Technical Support and E-Warranty Certificate**

**[www.vevor.com/support](http://www.vevor.com/support)**