

VEVOR[®]

TOUGH TOOLS, HALF PRICE

Technical Support and E-Warranty Certificate www.vevor.com/support

**SAND BLASTER CABINET
MODEL:SBC90**

We continue to be committed to provide you tools with competitive price.

"Save Half", "Half Price" or any other similar expressions used by us only represents an estimate of savings you might benefit from buying certain tools with us compared to the major top brands and does not necessarily mean to cover all categories of tools offered by us. You are kindly reminded to verify carefully when you are placing an order with us if you are actually saving half in comparison with the top major brands.

VEVOR®

TOUGH TOOLS, HALF PRICE

SAND BLASTER CABINET

MODEL:SBC90



NEED HELP? CONTACT US!

Have product questions? Need technical support? Please feel free to contact us:

Technical Support and E-Warranty Certificate
www.vevor.com/support

This is the original instruction, please read all manual instructions carefully before operating. VEVOR reserves a clear interpretation of our user manual. The appearance of the product shall be subject to the product you received. Please forgive us that we won't inform you again if there are any technology or software updates on our product.

1. Description

The SBC90 shot blasting cabinet is constructed of steel with a transparent access lid on top with internal illumination. The inside of the viewing screen is replaceable.

Supplied with a shot blasting gun the unit is suitable for glass beads, silicon carbide, aluminum oxide, silica sand and any other dry media. This unit is excellent for use in a wide variety of workshop.

2. Main specifications

| | | | |
|------------------|---------------------|----------------|------------------------|
| Max Air Pressure | 40-120psi | Weight | 15.5KGS |
| Average Air Flow | 142 liter/min | Work Height | Max 380 mm /Min 300 mm |
| Nozzles | 4.5,5,6,7 mm | Air Inlet Size | ¼ BSP" |
| Capacity | 0.09 m ³ | Viewing Area | 400*295 MM |

3. Safety instructions



Warning-To reduce the risk of injury, user must read instructions manual carefully.

Notice: Any blast cabinet will produce a powerful flow of abrasive particles. To avoid personal injury or property damage study this Manual thoroughly before assembling, operating or servicing this blast cabinet.

Please read instructions before operating the blasting system!

Failure to follow these instructions could result in operator injury as well as damage to the blasting system.

3.1. ELECTRICAL SAFETY

REGARDING DIRECT MAINS POWER USE WITH THE TRANSFORMER

PLUG.

WARNING! It is the user's responsibility to read, understand and comply with the following electrical instructions.

You must ensure the risk of electric shock is minimized by the installation of appropriate safety devices. An RCCB (Residual Current Circuit Breaker) should be incorporated in the main distribution board. We also recommend that an RCD (Residual Current Device) is used with all electrical products, particularly portable equipment which is plugged into an electrical supply not protected by an RCCB.

You must also read and understand the following instructions concerning electrical safety.

3.1.1 The Electricity At Work Act 1989 requires all portable electrical appliances, if used on business premises, to be tested by a qualified electrician, using a Portable Appliance Tester (PAT) at least once a year.

3.1.2. The Health & Safety at Work Act 1974 makes owners of electrical appliances responsible for the safe condition of the appliance and the safety of the appliance operator. If in any doubt about electrical safety, contact a qualified electrician.

3.1.3. You must ensure that you:

- ✓ Inspect the transformer plug, cable, and plug for wear and damage to ensure items are safe before connecting to the mains power supply. If any parts are worn or damaged DO NOT use the transformer and immediately replace it or contact a qualified electrician.

- ✓ Ensure cables are always protected against short circuit and overload.

- ✓ Important: Check that the voltage marked on the transformer plug is the same as the power supply to be used.

- ✓ Uncoil the lead from the transformer before use.

- × DO NOT attempt to pull the transformer plug from the mains socket by the lead.

- × DO NOT use any other type of transformer with the cabinet.

- × DO NOT try to open or dis-assemble the transformer plug or charging base.

- × DO NOT use the transformer plug to power any other electrical item.

- × DO NOT get the transformer wet, or use in wet, damp conditions (for

indoor use only).

WARNING! NEVER substitute the standard 2 pin plug, or any other type of plug, for the transformer plug.

3.2 GENERAL SAFETY

WARNING! Ensure Health & Safety, government and local authority regulations relating to the use of shot blasting are adhered to when using this equipment. Familiarize yourself with the applications, limitations and potential hazards peculiar to the cabinet.

WARNING! Disconnect the cabinet from the mains power and air supply before attempting to change accessories or carry out any servicing or maintenance.

✓ Maintain the cabinet in good condition. Replace or repair damaged parts. Use genuine parts only. Unauthorized parts may be dangerous and will invalidate the warranty.

✓ Locate cabinet in a suitable work area and keep area clean, tidy and free from unrelated materials. Ensure there is adequate lighting.

✓ Use only dry abrasives such as proprietary brands of glass beads, silicon carbide, aluminum oxide and silica sand. Never use fluids or mix fluids with another media in the unit.

WARNING! Always wear approved eye or face and ear protection when operating the cabinet.

✓ Keep the units top lid closed and secured when in use.

WARNING! Ensure correct air pressure is maintained and not exceeded. (Max 80psi – 5,5bar).

✓ Always keep the blast nozzle directed at the work piece. Never operate the gun outside the unit and always use the cabinet with the top lid closed.

✓ Regularly check that the exhaust vent at the back of the cabinet is clear and not blocked and that there is sufficient space between the cabinet and any wall.

✓ Ensure the floor is clean and free from blasting media spillage. Wear non-slip shoes.

✓ Remove ill-fitting clothing. Remove ties, watches, rings, and other loose jewelry and contain and/or tie back long hair.

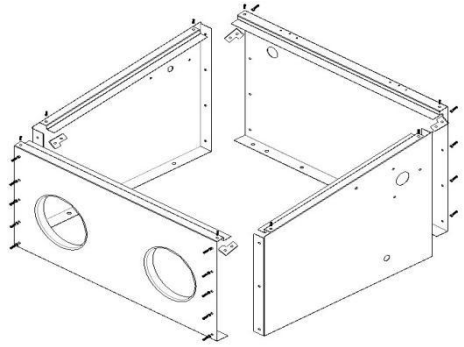
- ✓ Keep children and non-essential persons away from the work area.
- × DO NOT use the cabinet for a task it is not designed to perform.
- × DO NOT operate the cabinet if any parts are damaged or missing as this may cause failure and/or personal injury.
- × DO NOT operate the cabinet with the top access lid (transparent top lid “1”) open.
- × DO NOT stand on the cabinet.
- × DO NOT get the cabinet wet or use in damp or wet locations or areas where there is condensation.
- × DO NOT operate the cabinet when you are tired or under the influence of alcohol, drugs or intoxicating medication.
- × DO NOT leave the cabinet operating unattended.
- ✓ When not in use disconnect from the electrical mains and the air supply.

NOTE! We strongly recommend that a suitable dust extraction system is used with this unit.

If dust extraction is not used, media may be forced out of the joints as pressure builds up.

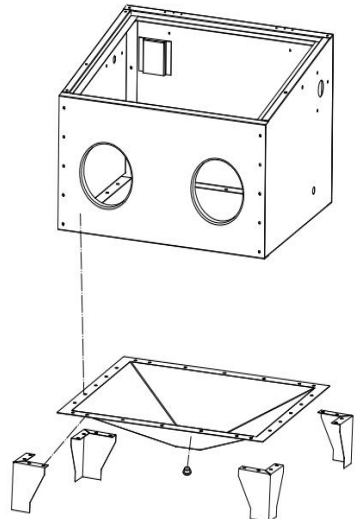
4. Main construction

4.1 Connect four plates by bolts (M5x10) and nuts. Please note there are four fixing sheets for corner use. The front plate is always on the side plate.

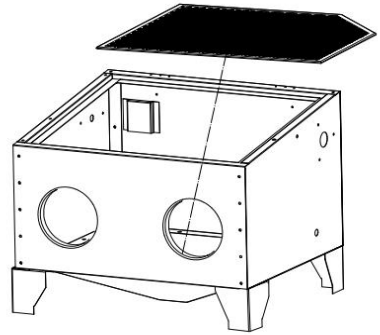


4.2 Use M6x12 bolts to connect cabinet, funnel and feet. Please note the bolts must insert from cabinet and nut from bottom

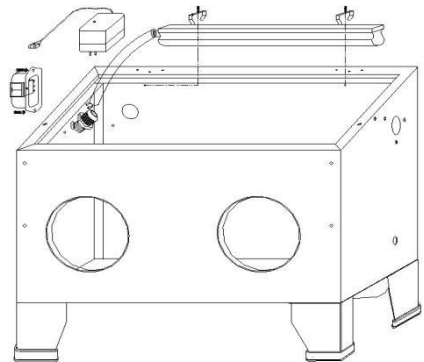
Note: If the temperature is low, the plastic leg protection will be very stiff. Soak them in warm water until they become soft.



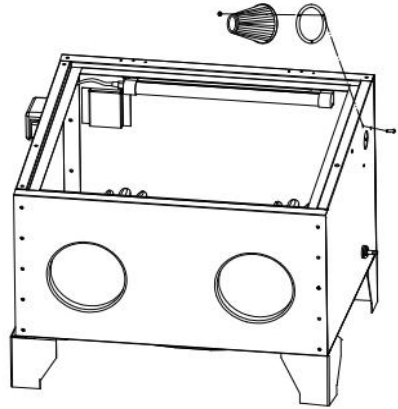
4.3 Put the net into the cabinet.



4.4 Assemble the LED lamp and switch box.



4.5 Assemble the filter



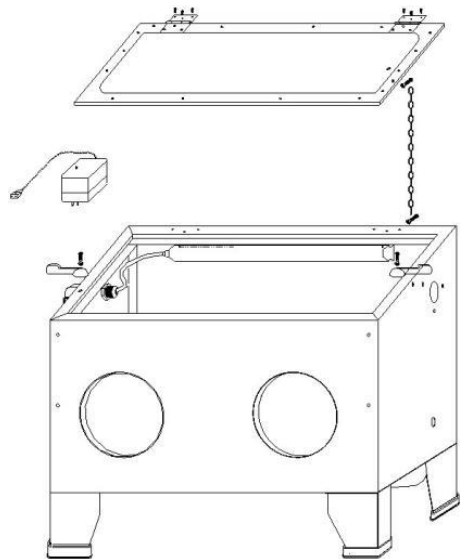
4.6 Connect the hinges in the top door with ST4*8 screw to the cabinet.

Assemble chain with M6x12 screw and tight it.

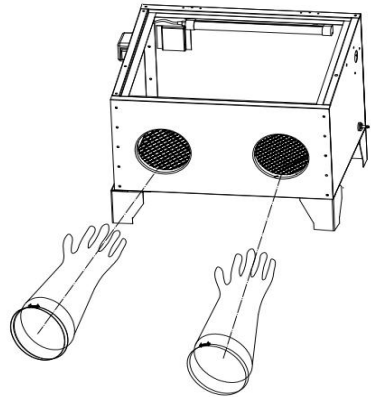
Assemble two bakelite locker on the cabinet with M6x20 screw.

Assemble the door handle on the plexiglass and tight it. M8*12

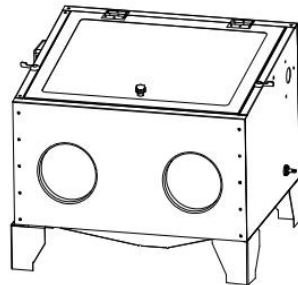
Please peel away the outer layer of plexiglass on the surface to make glass clear after full assembly.



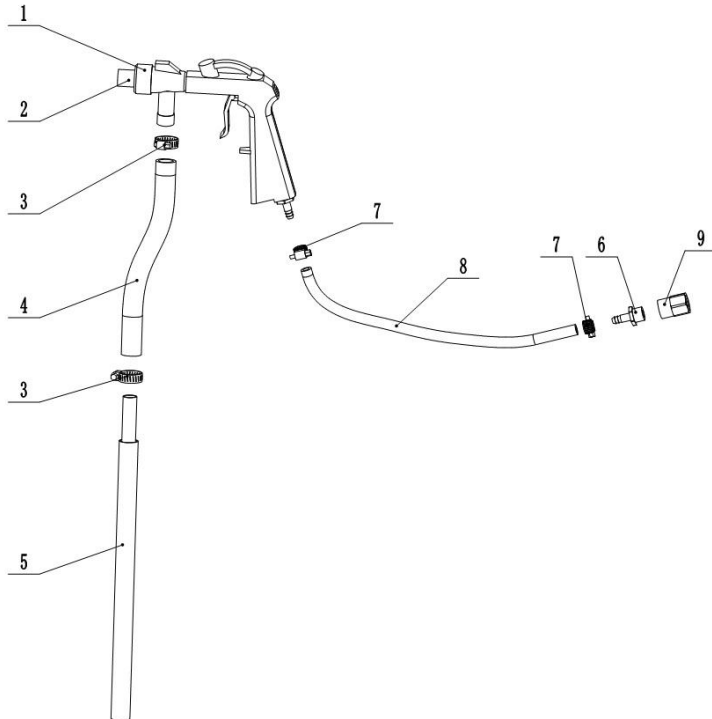
4.7 Assemble the gloves to the front plate by clamps $\Phi 120$ - $\Phi 150$.



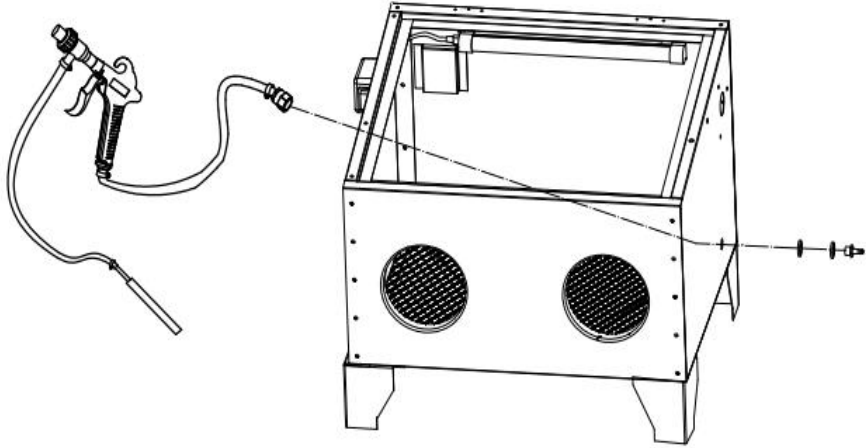
4.8 After finishing full assembly, check and tight all screws. Fill full the corner gap with silicone sealant to improve sealing.



Assemble blasting gun



1. Connect sand hose (No.4) with gun(No.2), clamp (No.3)it.Connect sand pipe (No.5) into sand hose and clamp it.
2. Connect air hose (No.8) with gun and clamp(No.7) it. Then connect air connector (No.6), inner thread connector(No.9). Please twine 5 circles teflon tape clockwise rotation on the air connector to avoid leakage.



Install sandblasting gun, rubber and metal washer to the inner thread connector of right cabinet plate.

Please note to wrap the Teflon tape for connector if necessary. To make sure no air leakage.

Important Note:

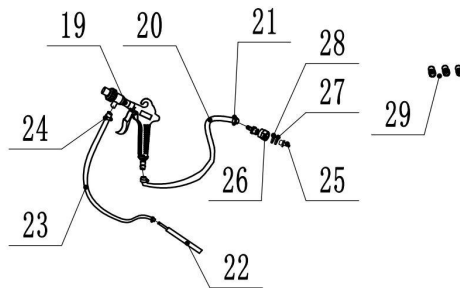
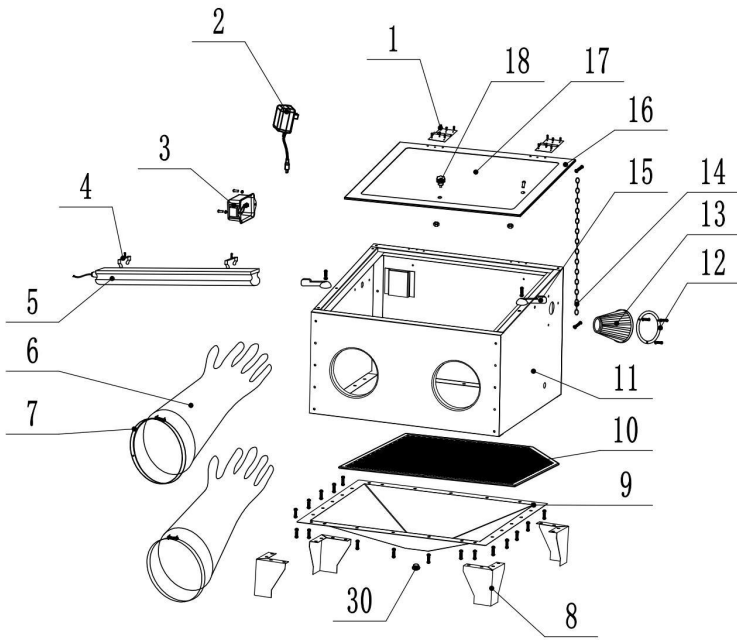
1. Due to logistics reasons, few metal sheets may become slightly deformed, which could be corrected by simple tools. Normally it is easily done. But please consult customer service if the correction is still not in place after you try. Customer service staff will provide proper solutions in time.

2. The sealing foam can be punctured with a screwdriver before assembly to facilitate the installation of screws (the holes would be hidden by sealing foam).

Parts list

| No. | Description | QTY |
|------|--|-----|
| 1 | Hinge | 2 |
| 1-1 | Tapping screw ST4*8 | 6 |
| 2 | Transformer | 1 |
| 3 | Switch box | 1 |
| 3-1 | Cross screw&nut M5*10 | 2 |
| 4 | Clamp for LED lamp | 2 |
| 4-1 | Cross screw&nut for lamp clamp M4*6 | 2 |
| 5 | LED lamp | 1 |
| 6 | Glove (pair) | 1 |
| 7 | Glove clamp Φ 120- Φ 150 | 2 |
| 8 | Cabinet foot | 4 |
| 9 | Sand funnel | 1 |
| 9-1 | Cross screw&nut for funnel M6*12 | 28 |
| 10 | Working net | 1 |
| 11 | Cabinet | 1 |
| 11-1 | Cross screw&nut for cabinet M5*10 | 26 |
| 12 | Filter plate | 1 |
| 12-1 | Cross screw&nut for filter plate M4*20 | 3 |
| 13 | Filter | 1 |
| 14 | Chain | 1 |
| 14-1 | Cross screw&nut for chain M6*12 | 1 |

| | | |
|------|--|---|
| 15 | Bakelite locker | 2 |
| 15-1 | Screw& jam nut for Bakelite locker M6*20 | 2 |
| 16 | Plexiglass metal frame | 1 |
| 17 | Plexiglass | 1 |
| 17-1 | Plexiglass film (sticked1,packed 3) | 4 |
| 18 | Door handle | 1 |
| 18-1 | Nut for door handle M8*12 | 1 |
| 19 | Blasting gun (with 1 nozzle& 1 air connector) | 1 |
| 20 | Air hose | 1 |
| 21 | Air hose clamp $\Phi 8-\Phi 12$ | 2 |
| 22 | Sand pipe | 1 |
| 23 | Sand hose | 1 |
| 24 | Sand hose clamp $\Phi 16-\Phi 25$ | 2 |
| 25 | Air connector 1/4 " $\Phi 6$ | 2 |
| 26 | Inner thread connector 1/4 " | 1 |
| 27 | Rubber washer for Inner thread connector $\Phi 12.5$ | 1 |
| 28 | Steel washer for Inner thread connector $\Phi 13$ | 1 |
| 29 | ceramic nozzle (5mm, 6mm, 7mm) | 3 |
| 30 | Bottom cover | 1 |
| 31 | Teflon tape | 1 |



5. FCC Information

CAUTION: Changes or modifications not expressly approved by the party responsible for compliance could void the user's authority to operate the equipment!

This device complies with Part 15 of the FCC Rules. Operation is subject to the following two conditions:

- 1) This product may cause harmful interference.
- 2) This product must accept any interference received, including interference that may cause undesired operation.

WARNING: Changes or modifications to this product not expressly approved by the party responsible for compliance could void the user's authority to operate the product.

Note: This product has been tested and found to comply with the limits for a Class B digital device pursuant to Part 15 of the FCC Rules, These limits are designed to provide reasonable protection against harmful interference in a residential installation.

This product generates, uses and can radiate radio frequency energy, and if not installed and used in accordance with the instructions, may cause harmful interference to radio communications. However, there is no guarantee that interference will not occur in a particular installation. If this product does cause harmful interference to radio or television reception, which can be determined by turning the product off and on, the user is encouraged to try to correct the interference by one or more of the following measures.

- Reorient or relocate the receiving antenna.
- Increase the distance between the product and receiver.
- Connect the product to an outlet on a circuit different from that to which the receiver is connected.
- Consult the dealer or an experienced radio/TV technician for assistance.

6. CORRECT DISPOSAL



This product is subject to the provision of European Directive 2012/19/EU. The symbol showing a wheellie bin crossed through indicates that the product requires separate refuse collection in the European Union. This applies to the product and all accessories marked with this symbol. Products marked as such may not be discarded with normal domestic waste, but must be taken to a collection point for recycling electrical and electronic devices.

Address: Shuangchenglu 803nong11hao1602A-1609shi, baoshanqu, shanghai 200000 CN.

Imported to AUS: SIHAO PTY LTD. 1 ROKEVA STREET EASTWOOD NSW 2122 Australia

Imported to USA: Sanven Technology Ltd. Suite 250, 9166 Anaheim Place, Rancho Cucamonga, CA 91730



YH CONSULTING LIMITED.
C/O YH Consulting Limited Office 147,
Centurion House, London Road,
Staines-upon-Thames, Surrey, TW18 4AX



E-CrossStu GmbH.
Mainzer Landstr.69, 60329 Frankfurt am Main.

VEVOR[®]

TOUGH TOOLS, HALF PRICE

Technical Support and E-Warranty Certificate

www.vevor.com/support