

VEVOR[®]

TOUGH TOOLS, HALF PRICE

Technical Support and E-Warranty Certificate www.vevor.com/support

INSULATED BEVERAGE DISPENSER

MODEL:WNS-1 / WNS-2 / WNS-3

We continue to be committed to provide you tools with competitive price.

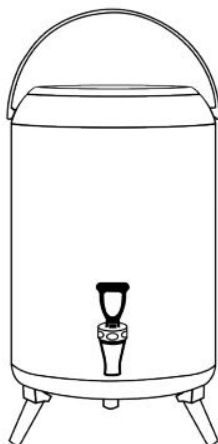
"Save Half", "Half Price" or any other similar expressions used by us only represents an estimate of savings you might benefit from buying certain tools with us compared to the major top brands and does not necessarily mean to cover all categories of tools offered by us. You are kindly reminded to verify carefully when you are placing an order with us if you are actually saving half in comparison with the top major brands.

VEVOR®

TOUGH TOOLS, HALF PRICE

INSULATED BEVERAGE DISPENSER

MODEL:WNS-1 / WNS-2 / WNS-3



NEED HELP? CONTACT US!

Have product questions? Need technical support? Please feel free to contact us:

Technical Support and E-Warranty Certificate
www.vevor.com/support

This is the original instruction, please read all manual instructions carefully before operating. VEVOR reserves a clear interpretation of our user manual. The appearance of the product shall be subject to the product you received. Please forgive us that we won't inform you again if there are any technology or software updates on our product.

SAFETY INSTRUCTIONS

Read and understand this entire manual before operating and servicing this product. Failure to follow these warnings and instructions can cause death, personal injury or damage to valuable property.

Tip Over Hazard

- A child or adult can tip the insulated beverage dispenser and be killed or seriously injured.
- Serious injury may occur to children and adults if not secured before installation.
- This product is not a toy. Children should not play with or around the insulated beverage dispenser at any time.
- Use as intended only. Do not stand on the product.
- Do not exceed the listed weight capacity.

SAVE THESE INSTRUCTIONS

PROPER USE OF YOUR INSULATED PRODUCT

1. Wash and rinse the unit prior to its use.
2. Preheating interior with hot water will improve heat retention.
3. Pre-chilling entire unit will improve cold retention.
4. Load container to its maximum capacity. Make sure the gasket is in place. Replace lid and lock in position.

CARE AND CLEANING OF INSULATED CARRIER

1. Clean after every use. Destaining compounds approved for food or beverage contact may be used. Ask your detergent supplier for proper compound.
2. Make sure gasket is removed prior to running through a dishwasher. Also, prevent latches from getting caught in the conveyor.

BEVERAGE DISPENSER FILLING INSTRUCTIONS

CAUTION: Liquid can overflow or squirt out of the vent cap when securing lid if the unit is overfilled.

TO PREVENT OVERFLOW, DO NOT FILL HIGHER THAN 11/4" FROM TOP.

CARE AND CLEANING OF THE FAUCET

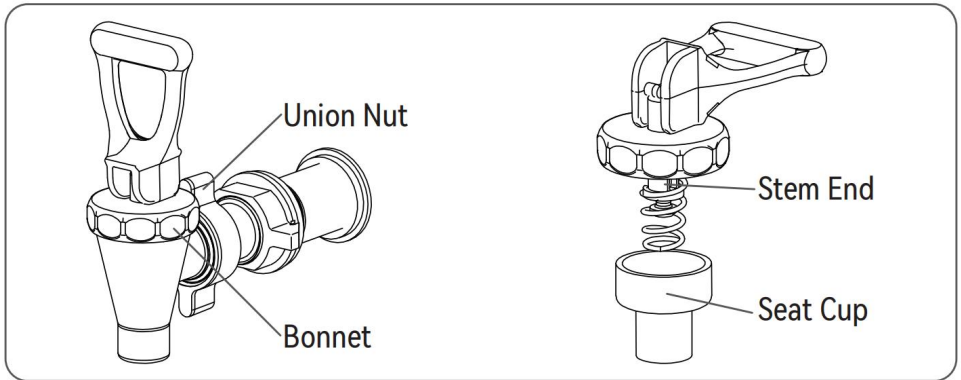
To remove faucet assembly from unit:

1. Unscrew union nut to remove faucet from unit.
2. Unscrew bonnet from faucet body to expose rubber seat cup and stem end. Pull down on seat cup to remove.
3. Push back union nut and remove metal "c" ring. Unscrew wing nut to remove spout from unit completely. Set aside large rubber washer, small

rubber washer and “c” ring.

4. Depress faucet lever in “locked open” position to clean top of bonnet thoroughly.

5. Clean all parts of faucet with a solution of hot water and urn cleaner. Use a faucet brush to clean the insides of the faucet and spout.

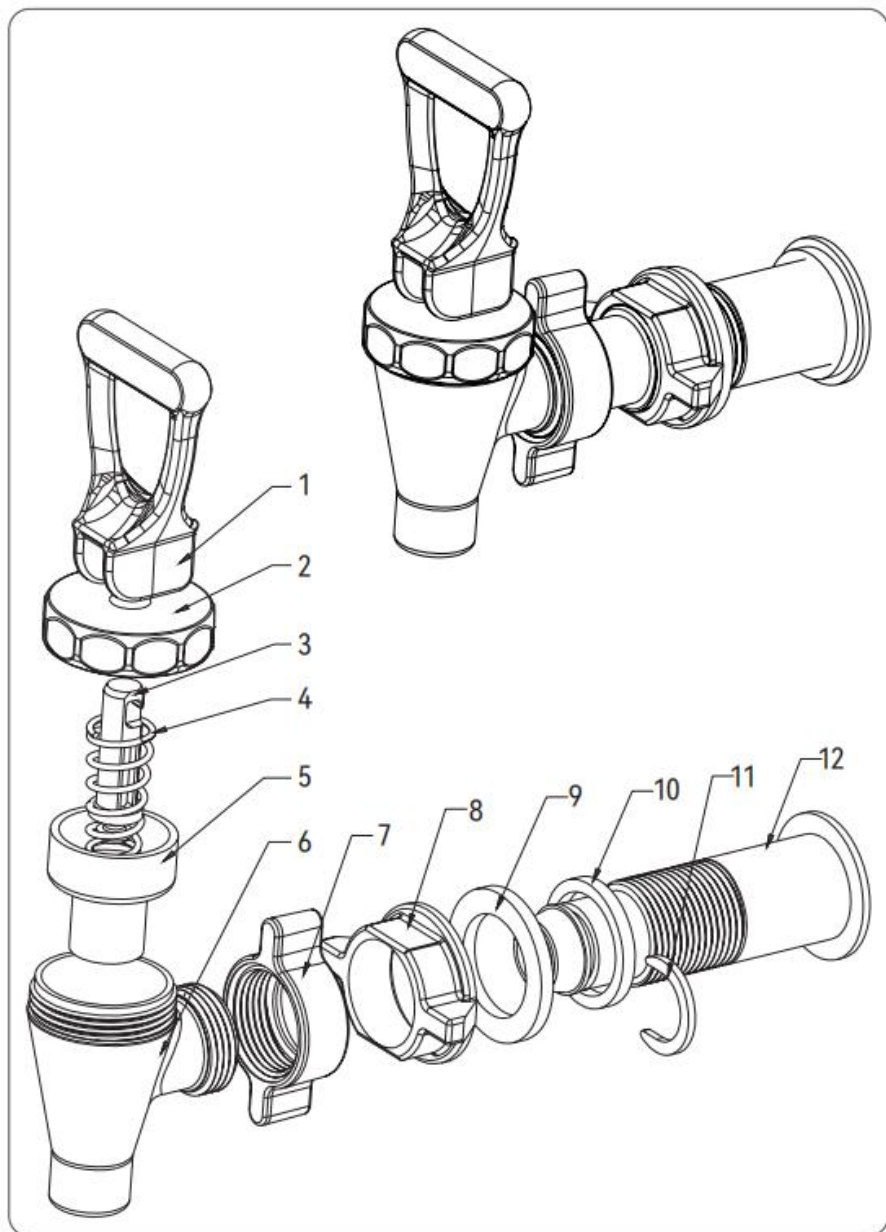


To return faucet assembly to unit:

1. Place small rubber washer on spout first. Then place spout inside unit.
2. Place large rubber washer on spout from outside the unit.
3. Screw wing nut on spout with circle base facing the unit. Fit union nut on spout with inner screw side facing out. Replace metal “c” ring.
4. Replace rubber seat cut on spring and stem end of faucet. Apply pressure to secure seat cup.
5. Screw bonnet onto faucet body.
6. Screw faucet onto spout and tighten union nut.

EXPLODED PARTS DIAGRAM

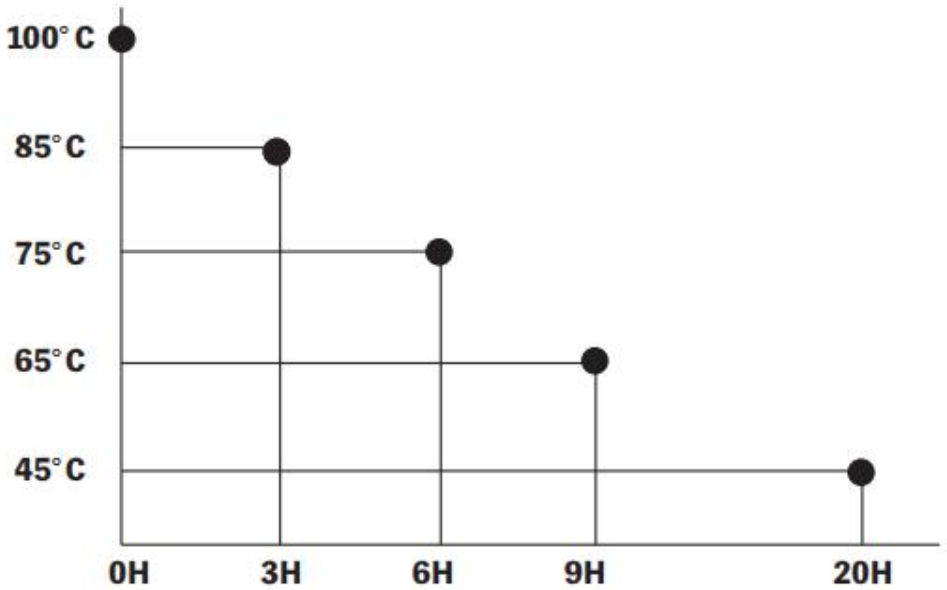
Beverage Dispenser Faucet



Number	Part Name
--------	-----------

1	Faucet Lever
2	Bonnet
3	Stem End
4	Spring
5	Rubber Seat Cup
6	Faucet Body
7	Union Nut
8	Wing Nut
9	Large Rubber Washer
10	Small Rubber Washer
11	Metal C Ring
12	Spout

TEMPERATURE TEST



In Room Temperature 25°C

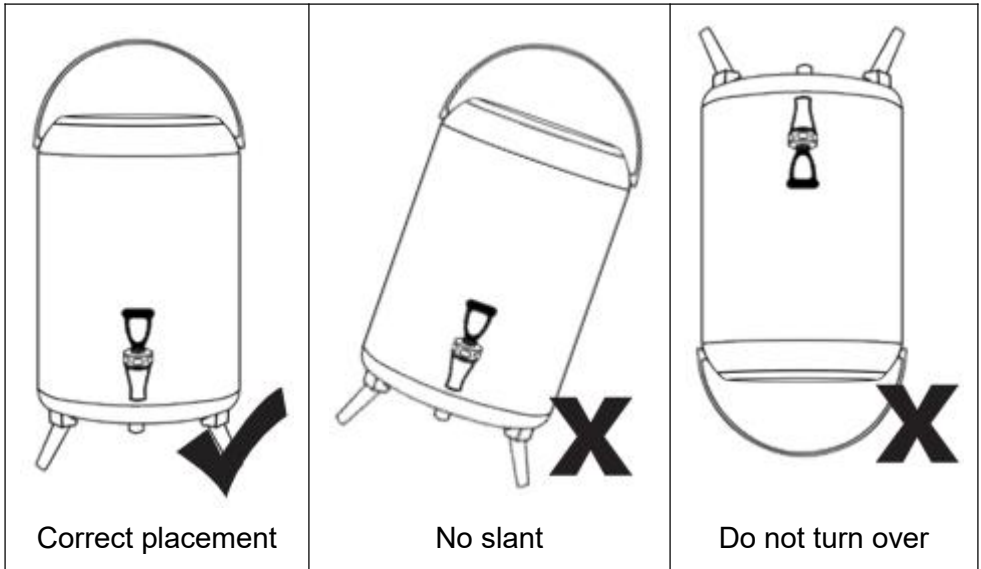
HOW TO CLEAN

1. Please wash the inside barrel in time after finish using and dry it.
2. Please do not put acid food or alkaline food for long time to avoid barrel rusting.

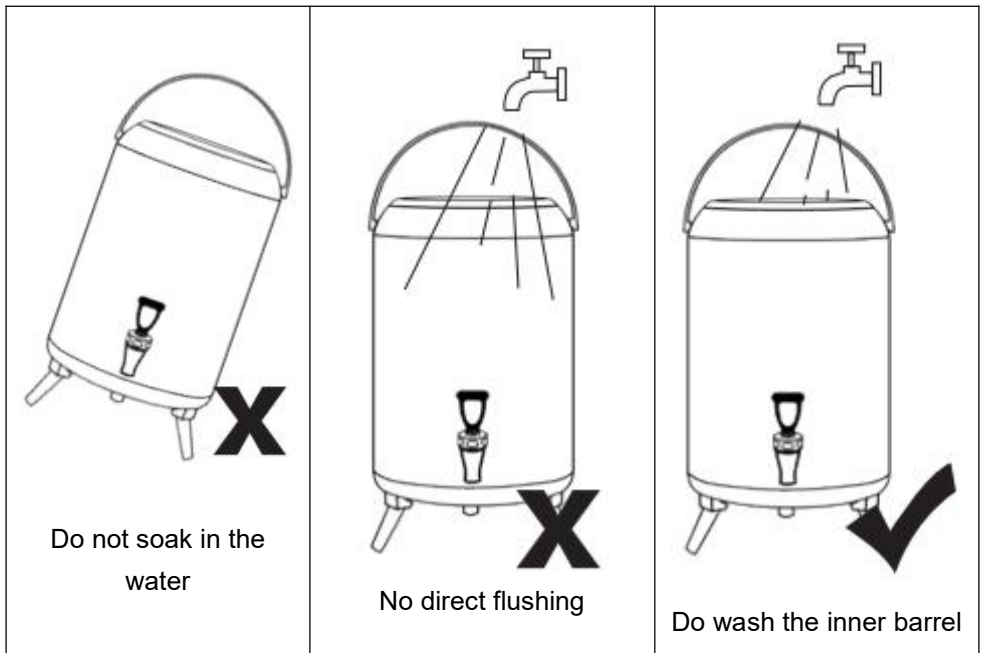
HOW TO USE

● How to place

Do not fill excess the max water level



● How to wash



1. Please use soft cloth to clean the barrel outside.
2. Please wash the inside with water, then put some hot water (can add some vinegar) inside to steep for 30 minutes. Due to the polishing technology, the inside may leave some polishing dust, so please do wash it before use.
3. Please do not put over the plastic circle position when you put the water inside to avoid water overflow.
4. Please install plastic tea leaf filter when you use the dispenser.
5. Please wash the inside barrel in time after finish using and dry it.
6. Please do not put acid food or alkaline food for long time to avoid barrel rusting.

Address: Baoshanqu Shuangchenglu 803long 11hao 1602A-1609shi Shanghai
Imported to USA: Sanven Technology Ltd., Suite 250, 9166 Anaheim Place,
Rancho Cucamonga, CA 91730

Made In China

VEVOR[®]

TOUGH TOOLS, HALF PRICE

Technical Support and E-Warranty Certificate

www.vevor.com/support