

VEVOR[®]

TOUGH TOOLS, HALF PRICE

Technical Support and E-Warranty Certificate www.vevor.com/support

WORKBENCH USER MANUAL

GZT60*60*80

GZT60*60*88

GZT76*60*80

GZT90X60J

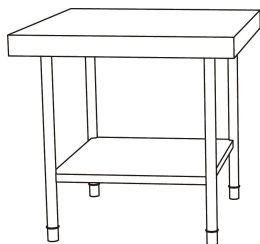
We continue to be committed to provide you tools with competitive price.

"Save Half", "Half Price" or any other similar expressions used by us only represents an estimate of savings you might benefit from buying certain tools with us compared to the major top brands and does not necessarily mean to cover all categories of tools offered by us. You are kindly reminded to verify carefully when you are placing an order with us if you are actually saving half in comparison with the top major brands.

VEVOR®

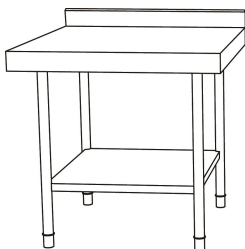
TOUGH TOOLS, HALF PRICE

WORKBENCH



GZT60*60*80

GZT76*60*80



GZT60*60*88



GZT90X60J

NEED HELP? CONTACT US!

Have product questions? Need technical support? Please feel free to contact us:

Technical Support and E-Warranty Certificate
www.vevor.com/support

This is the original instruction, please read all manual instructions carefully before operating. VEVOR reserves a clear interpretation of our user manual. The appearance of the product shall be subject to the product you received. Please forgive us that we won't inform you again if there are any technology or software updates on our product.

SAFETY INSTRUCTIONS

WARNING:

Read this material before using this product. Failure to do so can result in serious injury.

Assembly precautions

1. Assemble only according to these instructions. Improper assembly can create hazards.
2. Keep the assembly area clean and well-lit.
3. Keep bystanders out of the area during assembly.
4. Do not assemble when tired or when under the influence of alcohol, drugs or medication.
5. The product capabilities apply to properly and completely assembled products only.
6. For additional information regarding the parts listed in the following pages, please refer to the Assembly Diagram of this manual. Unwrap and separate all parts in a clean work area.

Use precautions

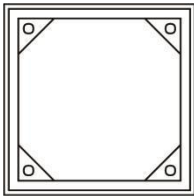
1. Use with products heavier than the rated weights indicated may result in instability causing possible injury.
2. Mounts must be attached as specified in assembly instructions. Improper installation may result in damage or serious personal injury.
3. Make sure that the supporting surface will safely support the combined weight of the equipment and all attached hardware and components.
4. Use the mounting screws provided and **DO NOT OVER TIGHTEN** mounting screws.
5. This product contains small items that could be a choking hazard if swallowed. Keep these items away from children.
6. This product is intended for indoor use only. Using this product outdoors could lead to product failure and personal injury.

SAVE THIS MANUAL

PRODUCT PARAMETER

Model	Maximum Loaded Weight	Product Size
GZT60*60*80	Top 400 pounds Floor 300 pounds	600*600*800mm
GZT60*60*88		600*600*800mm
GZT76*60*80		600*600*800mm
GZT90X60J		900*600*800mm

PARTS LIST



A x 1



B x 4



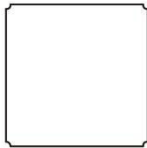
C x 12



D x 4



E x 1



F x 1



G x 4



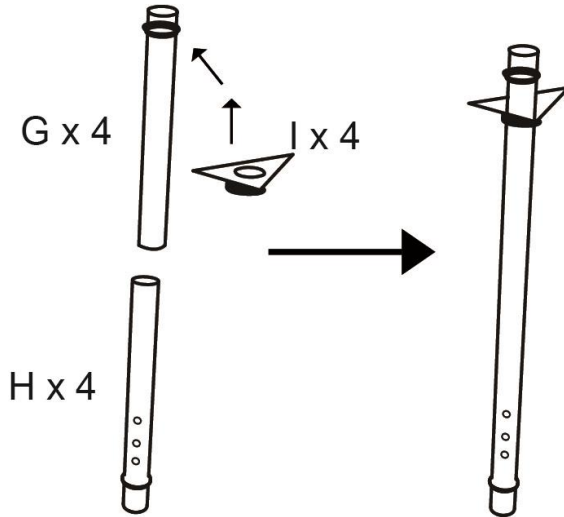
H x 4



I x 4

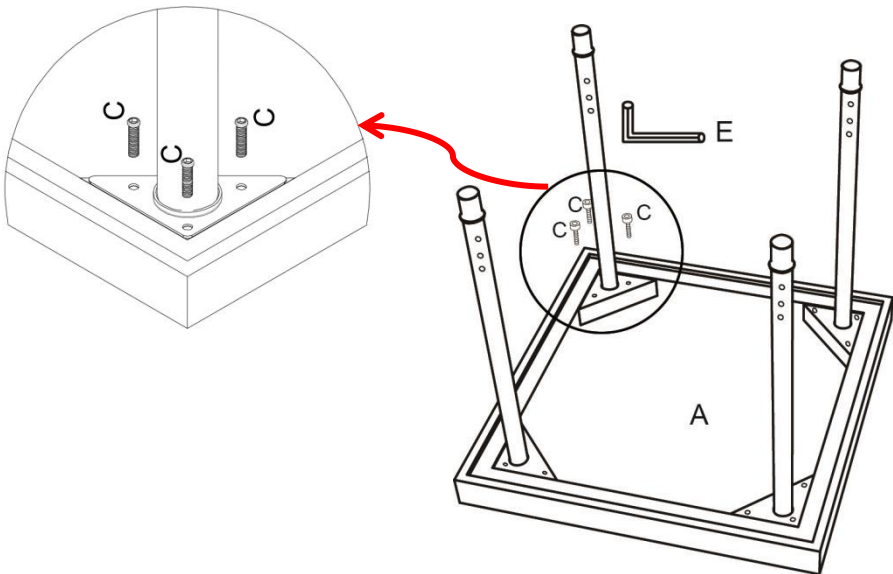
ASSEMBLY STEP

STEP1

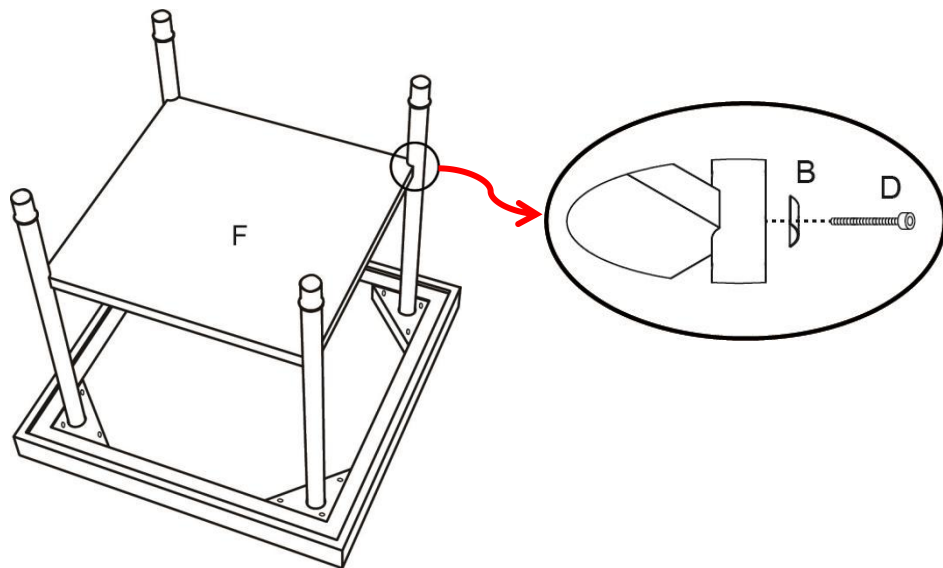


Note: The table legs are in one section, please skip this step.

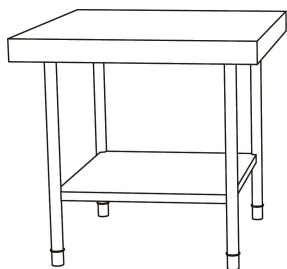
STEP2



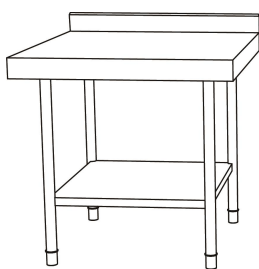
STEP3



STEP4



GZT60*60*80
GZT76*60*80



GZT60*60*88



GZT90X60J

Manufacturer: Shanghaimuxinmuyeyouxiangongsi

Address: Shuangchenglu 803nong11hao1602A-1609shi, baoshanqu, shanghai 200000 CN.

Imported to AUS: SIHAO PTY LTD. 1 ROKEVA STREETEASTWOOD NSW 2122 Australia

Imported to USA: Sanven Technology Ltd. Suite 250, 9166 Anaheim Place, Rancho Cucamonga, CA 91730



E-CrossStu GmbH
Mainzer Landstr.69, 60329 Frankfurt am Main.



YH CONSULTING LIMITED.
C/O YH Consulting Limited Office 147, Centurion House, London Road, Staines-upon-Thames, Surrey, TW18 4AX

VEVOR[®]

TOUGH TOOLS, HALF PRICE

Technical Support and E-Warranty Certificate

www.vevor.com/support

VEVOR[®]

TOUGH TOOLS, HALF PRICE

Technisch Support und E-Garantie-Zertifikat www.vevor.com/support

WERKBANK

Benutzerhandbuch

GZT60*60*80

GZT60*60*88

GZT76*60*80

GZT90X60J

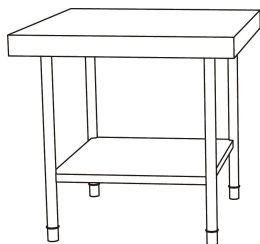
We continue to be committed to provide you tools with competitive price.

"Save Half", "Half Price" or any other similar expressions used by us only represents an estimate of savings you might benefit from buying certain tools with us compared to the major top brands and does not necessarily mean to cover all categories of tools offered by us. You are kindly reminded to verify carefully when you are placing an order with us if you are actually saving half in comparison with the top major brands.

VEVOR®

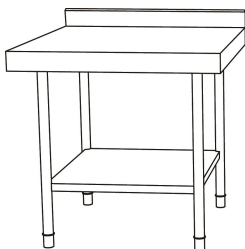
TOUGH TOOLS, HALF PRICE

WORKBENCH



GZT60*60*80

GZT76*60*80



GZT60*60*88



GZT90X60J

NEED HELP? CONTACT US!

Have product questions? Need technical support? Please feel free to contact us:

Technical Support and E-Warranty Certificate
www.vevor.com/support

This is the original instruction, please read all manual instructions carefully before operating. VEVOR reserves a clear interpretation of our user manual. The appearance of the product shall be subject to the product you received. Please forgive us that we won't inform you again if there are any technology or software updates on our product.

SAFETY INSTRUCTIONS

WARNUNG:

Lesen Sie dieses Material, bevor Sie dieses Produkt verwenden. Andernfalls kann es zu schweren Verletzungen kommen.

Vorsichtsmaßnahmen bei der Montage

1. Führen Sie die Montage nur gemäß dieser Anleitung durch. Eine unsachgemäße Montage kann zu Gefahren führen.
2. Halten Sie den Versammlungsbereich sauber und gut beleuchtet.
3. Halten Sie während der Montage unbeteiligte Zuschauer vom Bereich fern.
4. Nicht zusammenbauen, wenn Sie müde sind oder unter Einfluss von Alkohol, Drogen oder Medikamenten stehen.
5. Die Produktfunktionen gelten nur für ordnungsgemäß und vollständig montierte Produkte.
6. Weitere Informationen zu den auf den folgenden Seiten aufgeführten Teilen finden Sie im Montagediagramm dieses Handbuchs. Packen Sie alle Teile in einem sauberen Arbeitsbereich aus und trennen Sie sie.

Vorsichtsmaßnahmen treffen

1. Die Verwendung mit Produkten, die schwerer als das angegebene Nenngewicht sind, kann zu Instabilität führen und dadurch Verletzungen verursachen.
2. Halterungen müssen gemäß den Montageanweisungen angebracht werden. Eine unsachgemäße Installation kann zu Schäden oder schweren Verletzungen führen.
3. Stellen Sie sicher, dass die Standfläche das Gesamtgewicht des Geräts und aller angeschlossenen Hardware und Komponenten sicher trägt.
4. Verwenden Sie die mitgelieferten Befestigungsschrauben und ZIEHEN Sie diese NICHT ZU FEST ZIEHEN.
5. Dieses Produkt enthält Kleinteile, die bei Verschlucken eine Erstickungsgefahr darstellen können. Bewahren Sie diese Teile außerhalb der Reichweite von Kindern auf.
6. Dieses Produkt ist nur für den Gebrauch in Innenräumen vorgesehen. Bei Verwendung im Freien kann es zu Produktfehlern und Verletzungen

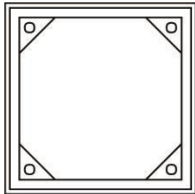
kommen.

BEWAHREN SIE DIESES HANDBUCH AUF

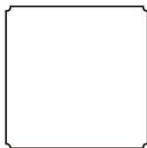
PRODUCT PARAMETER

Modell	Maximales Ladegewicht	Produktgröße
GZT60*60*80	Über 400 Pfund Boden 300 Pfund	600 x 600 x 800 mm
GZT60*60*88		600 x 600 x 800 mm
GZT76*60*80		600 x 600 x 800 mm
GZT90X60J		900 x 600 x 800 mm

PARTS LIST



A x 1



F x 1



B x 4



C x 12



D x 4



E x 1



G x 4



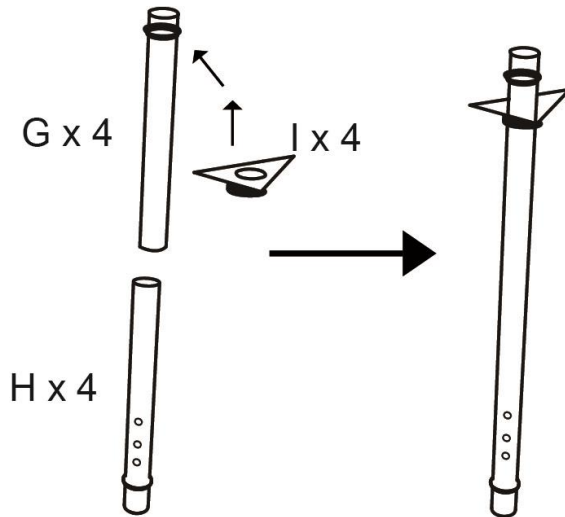
H x 4



I x 4

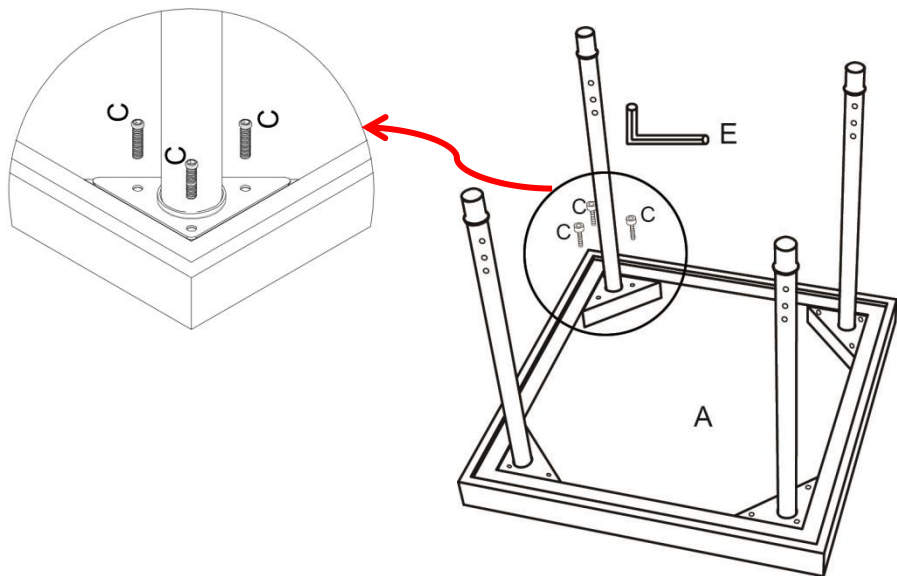
ASSEMBLY STEP

SCHRITT 1

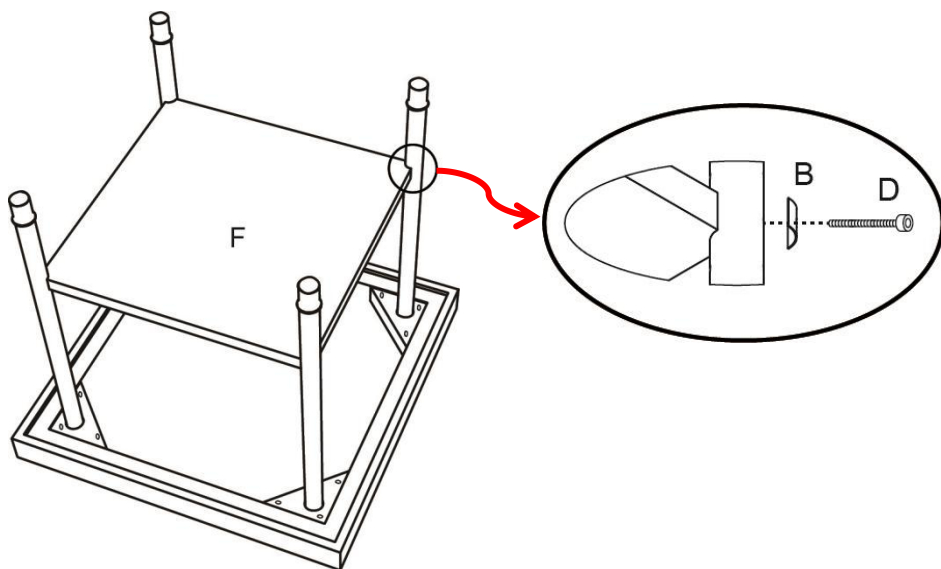


Hinweis: Die Tischbeine bestehen aus einem Stück, überspringen Sie diesen Schritt bitte .

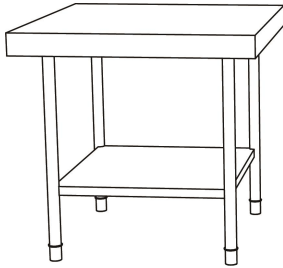
SCHRITT2



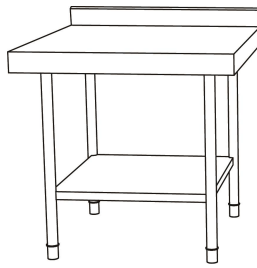
SCHRITT3



SCHRITT4



GZT60*60*80
GZT76*60*80



GZT60*60*88



GZT90X60J

Hersteller: Shanghaimuxinmuyeyouxiangongsi

Adresse: Shuangchenglu 803nong11hao1602A-1609shi, baoshanqu, Shanghai 200000 CN.

Nach AUS importiert: SIHAO PTY LTD. 1 ROKEVA
STREETEASTWOOD NSW 2122 Australien

Importiert in die USA: Sanven Technology Ltd. Suite 250, 9166 Anaheim
Place, Rancho Cucamonga, CA 91730

EC

REP

E-CrossStu GmbH
Mainzer Landstr.69, 60329 Frankfurt am Main.

UK

REP

YH CONSULTING LIMITED.
C/O YH Consulting Limited Office 147, Centurion
House, London Road, Staines-upon-Thames, Surrey,
TW18 4AX

VEVOR[®]

TOUGH TOOLS, HALF PRICE

Technisch Support und E-Garantie-Zertifikat

www.vevor.com/support

VEVOR[®]

TOUGH TOOLS, HALF PRICE

Technisch Ondersteuning en E-garantiecertificaat www.vevor.com/support

WERKBANK

Gebruikershandleiding

GZT60*60*80

GZT60*60*88

GZT76*60*80

GZT90X60J

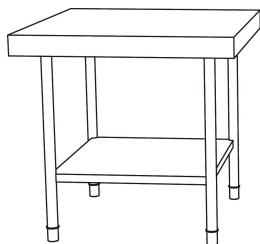
We continue to be committed to provide you tools with competitive price.

"Save Half", "Half Price" or any other similar expressions used by us only represents an estimate of savings you might benefit from buying certain tools with us compared to the major top brands and does not necessarily mean to cover all categories of tools offered by us. You are kindly reminded to verify carefully when you are placing an order with us if you are actually saving half in comparison with the top major brands.

VEVOR®

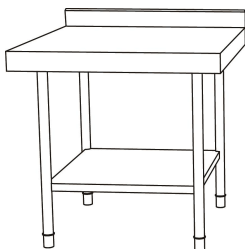
TOUGH TOOLS, HALF PRICE

WORKBENCH



GZT60*60*80

GZT76*60*80



GZT60*60*88



GZT90X60J

NEED HELP? CONTACT US!

Have product questions? Need technical support? Please feel free to contact us:

Technical Support and E-Warranty Certificate
www.vevor.com/support

This is the original instruction, please read all manual instructions carefully before operating. VEVOR reserves a clear interpretation of our user manual. The appearance of the product shall be subject to the product you received. Please forgive us that we won't inform you again if there are any technology or software updates on our product.

SAFETY INSTRUCTIONS

WAARSCHUWING:

Lees dit materiaal voordat u dit product gebruikt. Als u dit niet doet, kan dit leiden tot ernstig letsel.

Voorzorgsmaatregelen bij de montage

1. Monteer alleen volgens deze instructies. Onjuiste montage kan gevaren opleveren.
2. Zorg ervoor dat de verzamelplaats schoon en goed verlicht is.
3. Houd omstanders uit de buurt tijdens de montage.
4. Kom niet bijeen als u moe bent of onder invloed van alcohol, drugs of medicijnen.
5. De producteigenschappen gelden uitsluitend voor correct en volledig gemonteerde producten.
6. Voor aanvullende informatie over de onderdelen die op de volgende pagina's worden vermeld, raadpleegt u het montageschema van deze handleiding. Pak alle onderdelen uit en scheid ze in een schone werkruimte.

Neem voorzorgsmaatregelen

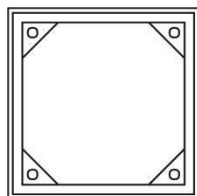
1. Gebruik met producten die zwaarder zijn dan het aangegeven nominale gewicht kan leiden tot instabiliteit en mogelijk letsel.
2. Bevestigingen moeten worden bevestigd zoals aangegeven in de montage-instructies. Onjuiste installatie kan leiden tot schade of ernstig persoonlijk letsel.
3. Zorg ervoor dat het ondersteunende oppervlak het totale gewicht van de apparatuur en alle bevestigde hardware en componenten veilig kan dragen.
4. Gebruik de meegeleverde bevestigingsschroeven en DRAAI de bevestigingsschroeven NIET TE DRAAI.
5. Dit product bevat kleine items die een verstikkingsgevaar kunnen vormen als ze worden ingeslikt. Houd deze items uit de buurt van kinderen.
6. Dit product is alleen bedoeld voor gebruik binnenshuis. Het gebruik van dit product buitenshuis kan leiden tot productfalen en persoonlijk letsel.

BEWAAR DEZE HANDLEIDING

PRODUCT PARAMETER

Model	Maximaal belastbaar gewicht	Productgrootte
GZT60*60*80	Bovenste 400 pond Vloer 300 pond	600*600*800mm
GZT60*60*88		600*600*800mm
GZT76*60*80		600*600*800mm
GZT90X60J		900*600*800mm

PARTS LIST



A x 1



B x 4



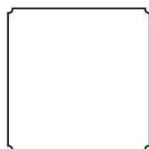
C x 12



D x 4



E x 1



F x 1



G x 4



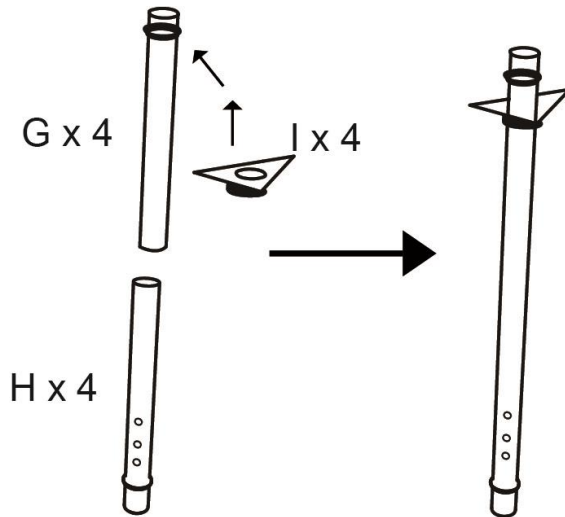
H x 4



I x 4

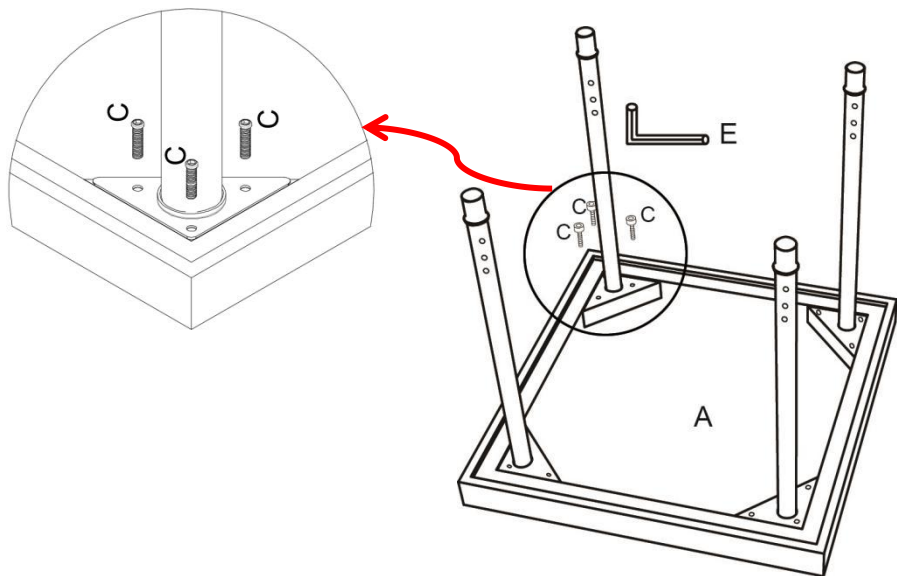
ASSEMBLY STEP

STAP 1

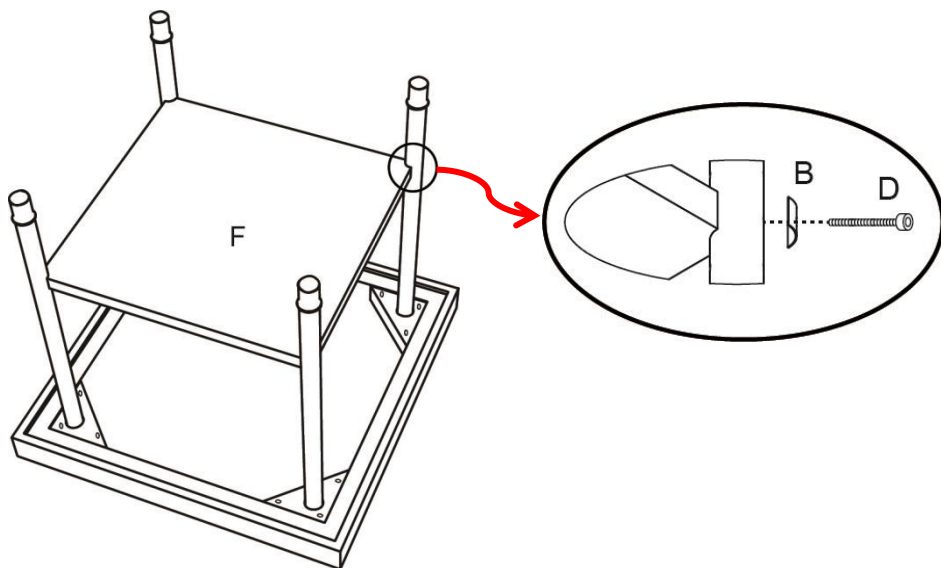


Let op: De tafelpoten bestaan uit één geheel, sla deze stap over .

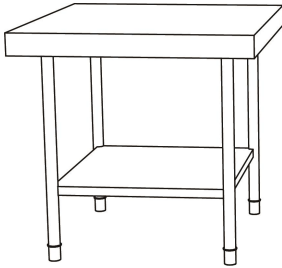
STAP 2



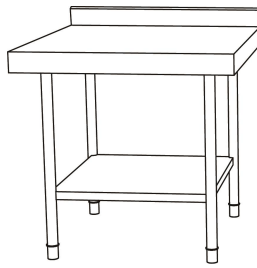
STAP 3



STAP 4



GZT60*60*80
GZT76*60*80



GZT60*60*88



GZT90X60J

Fabrikant: Shanghaimuxinmuyeyouxiangongsi

Adres: Shuangchenglu 803nong11hao1602A-1609shi, baoshanqu, shanghai 200000 CN.

Geïmporteerd naar AUS: SIHAO PTY LTD. 1 ROKEVA
STREETEASTWOOD NSW 2122 Australië

Geïmporteerd naar de VS: Sanven Technology Ltd. Suite 250, 9166
Anaheim Place, Rancho Cucamonga, CA 91730



E-CrossStu GmbH
Mainzer Landstr.69, 60329 Frankfurt am Main.



YH CONSULTING LIMITED.
C/O YH Consulting Limited Office 147, Centurion
House, London Road, Staines-upon-Thames, Surrey,
TW18 4AX

VEVOR[®]

TOUGH TOOLS, HALF PRICE

Technisch Ondersteuning en E-garantiecertificaat

www.vevor.com/support

VEVOR[®]

TOUGH TOOLS, HALF PRICE

Teknisk Support och e-garanticertifikat www.vevor.com/support

ARBETSBÄNK

Användarmanual

GZT60*60*80

GZT60*60*88

GZT76*60*80

GZT90X60J

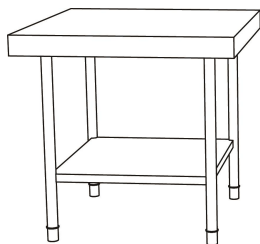
We continue to be committed to provide you tools with competitive price.

"Save Half", "Half Price" or any other similar expressions used by us only represents an estimate of savings you might benefit from buying certain tools with us compared to the major top brands and does not necessarily mean to cover all categories of tools offered by us. You are kindly reminded to verify carefully when you are placing an order with us if you are actually saving half in comparison with the top major brands.

VEVOR®

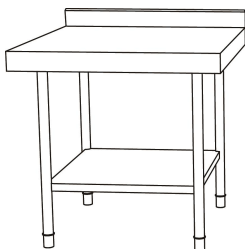
TOUGH TOOLS, HALF PRICE

WORKBENCH



GZT60*60*80

GZT76*60*80



GZT60*60*88



GZT90X60J

NEED HELP? CONTACT US!

Have product questions? Need technical support? Please feel free to contact us:

Technical Support and E-Warranty Certificate
www.vevor.com/support

This is the original instruction, please read all manual instructions carefully before operating. VEVOR reserves a clear interpretation of our user manual. The appearance of the product shall be subject to the product you received. Please forgive us that we won't inform you again if there are any technology or software updates on our product.

SAFETY INSTRUCTIONS

VARNING:

Läs detta material innan du använder denna produkt. Underlåtenhet att göra det kan resultera i allvarliga skador.

Försiktighetsåtgärder vid montering

1. Montera endast enligt dessa instruktioner. Felaktig montering kan skapa faror.
2. Håll monteringsområdet rent och väl upplyst.
3. Håll åskådare borta från området under monteringen.
4. Sätt dig inte ihop när du är trött eller påverkad av alkohol, droger eller mediciner.
5. Produkttegenskaperna gäller endast för korrekt och färdigmonterade produkter.
6. För ytterligare information om delarna som listas på följande sidor, se monteringsdiagrammet i denna manual. Packa upp och separera alla delar på ett rent arbetsområde.

Använd försiktighetsåtgärder

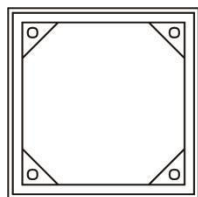
1. Användning med produkter som är tyngre än de angivna märkvikterna kan resultera i instabilitet som kan orsaka skada.
2. Fästen ska monteras enligt monteringsanvisningen. Felaktig installation kan leda till skador eller allvarliga personskador.
3. Se till att den stödjande ytan säkert kan bära den kombinerade vikten av utrustningen och all ansluten hårdvara och komponenter.
4. Använd de medföljande monteringskruvarna och DRA INTE åt monteringskruvarna för hårt.
5. Denna produkt innehåller små föremål som kan utgöra en kvävningsrisk vid förtäring. Håll dessa föremål borta från barn.
6. Denna produkt är endast avsedd för inomhusbruk. Användning av denna produkt utomhus kan leda till produktfel och personskada.

SPARA DENNA MANUAL

PRODUCT PARAMETER

Modell	Max belastad W åtta	Produktstorlek
GZT60*60*80	Topp 400 pund Golv 300 pund	600*600*800mm
GZT60*60*88		600*600*800mm
GZT76*60*80		600*600*800mm
GZT90X60J		900*600*800mm

PARTS LIST



A x 1



B x 4



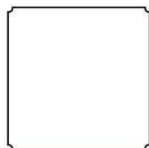
C x 12



D x 4



E x 1



F x 1



G x 4



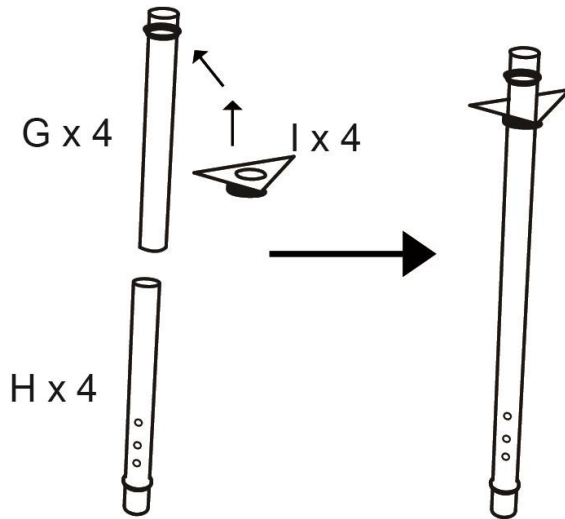
H x 4



I x 4

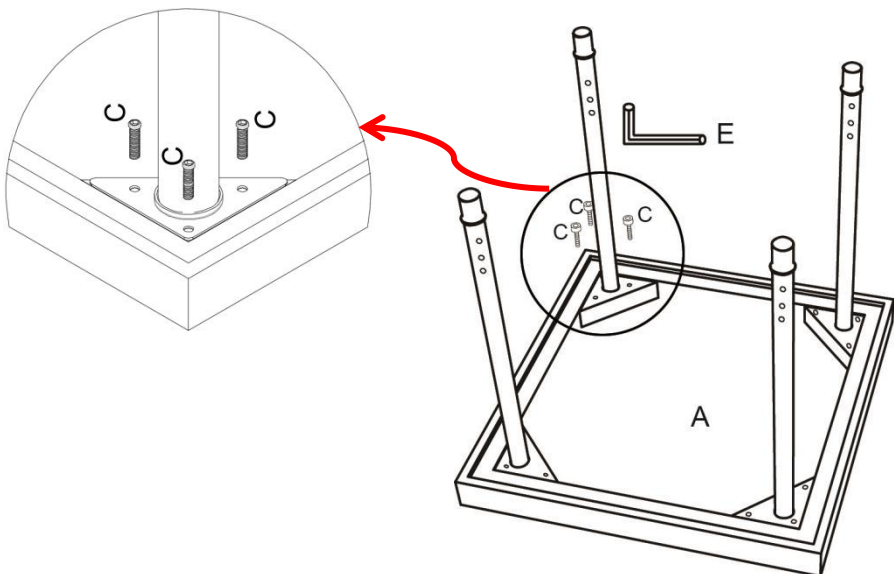
ASSEMBLY STEP

STEG1

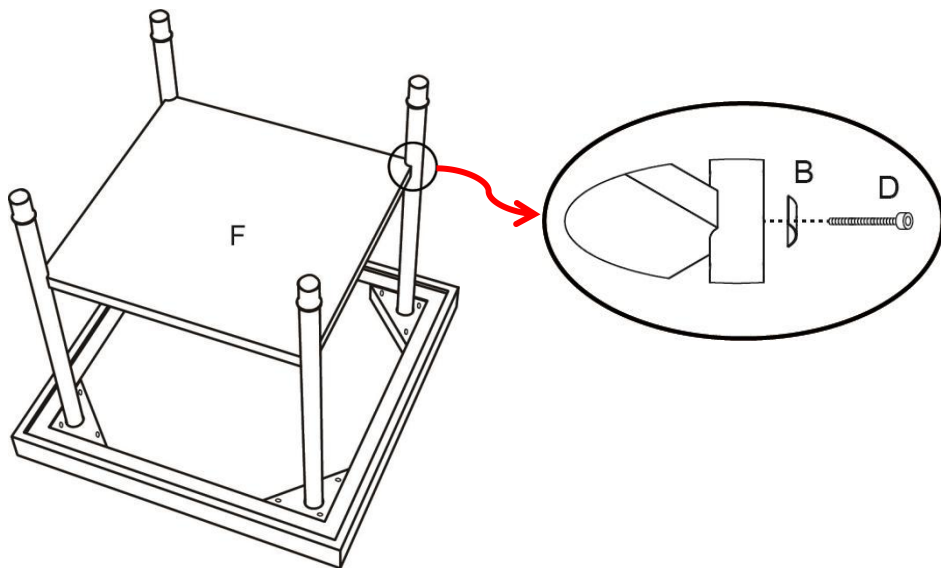


Obs: Bordsbenen finns i en sektion, hoppa över detta steg .

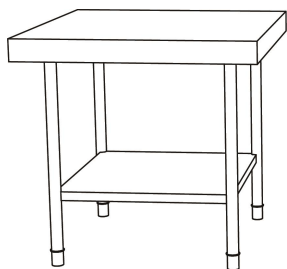
STEG 2



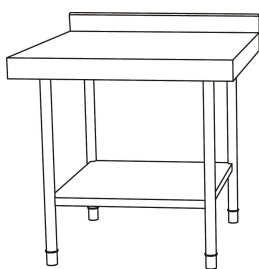
STEG 3



STEG 4



GZT60*60*80
GZT76*60*80



GZT60*60*88



GZT90X60J

Tillverkare: Shanghaimuxinmuyeyouxiangongsi

Adress: Shuangchenglu 803nong11hao1602A-1609shi, baoshanqu, shanghai 200000 CN.

Importerad till AUS: SIHAO PTY LTD. 1 ROKEVA STREETEASTWOOD NSW 2122 Australien

Importerad till USA: Sanven Technology Ltd. Suite 250, 9166 Anaheim Place, Rancho Cucamonga, CA 91730



E-CrossStu GmbH
Mainzer Landstr.69, 60329 Frankfurt am Main.



YH CONSULTING LIMITED.
C/O YH Consulting Limited Office 147, Centurion House, London Road, Staines-upon-Thames, Surrey, TW18 4AX

VEVOR[®]

TOUGH TOOLS, HALF PRICE

Teknisk Support och e-garanticertifikat

www.vevor.com/support

VEVOR[®]

TOUGH TOOLS, HALF PRICE

Técnico Soporte y certificado de garantía electrónica www.vevor.com/support

BANCO DE TRABAJO

MANUAL DE usuario

GZT60*60*80

GZT60*60*88

GZT76*60*80

GZT90X60J

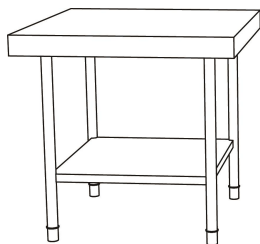
We continue to be committed to provide you tools with competitive price.

"Save Half", "Half Price" or any other similar expressions used by us only represents an estimate of savings you might benefit from buying certain tools with us compared to the major top brands and does not necessarily mean to cover all categories of tools offered by us. You are kindly reminded to verify carefully when you are placing an order with us if you are actually saving half in comparison with the top major brands.

VEVOR®

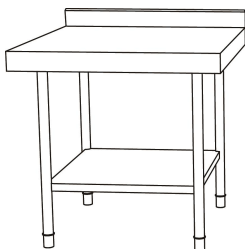
TOUGH TOOLS, HALF PRICE

WORKBENCH



GZT60*60*80

GZT76*60*80



GZT60*60*88



GZT90X60J

NEED HELP? CONTACT US!

Have product questions? Need technical support? Please feel free to contact us:

Technical Support and E-Warranty Certificate
www.vevor.com/support

This is the original instruction, please read all manual instructions carefully before operating. VEVOR reserves a clear interpretation of our user manual. The appearance of the product shall be subject to the product you received. Please forgive us that we won't inform you again if there are any technology or software updates on our product.

SAFETY INSTRUCTIONS

ADVERTENCIA:

Lea este material antes de utilizar este producto. No hacerlo puede provocar lesiones graves.

Precauciones de montaje

1. Realice el montaje únicamente de acuerdo con estas instrucciones. Un montaje inadecuado puede generar peligros.
2. Mantenga el área de reunión limpia y bien iluminada.
3. Mantenga a los transeúntes fuera del área durante el montaje.
4. No se reúna cuando esté cansado o bajo la influencia del alcohol, drogas o medicamentos.
5. Las capacidades del producto se aplican únicamente a productos ensamblados de forma correcta y completa.
6. Para obtener información adicional sobre las piezas que se enumeran en las páginas siguientes, consulte el diagrama de ensamblaje de este manual. Desembale y separe todas las piezas en un área de trabajo limpia.

Tome precauciones

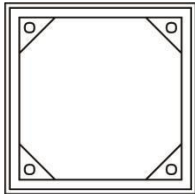
1. El uso de productos más pesados que los pesos nominales indicados puede provocar inestabilidad y causar posibles lesiones.
2. Los soportes deben instalarse según se especifica en las instrucciones de montaje. Una instalación incorrecta puede provocar daños o lesiones personales graves.
3. Asegúrese de que la superficie de apoyo sostenga de forma segura el peso combinado del equipo y todo el hardware y los componentes adjuntos.
4. Utilice los tornillos de montaje provistos y **NO APRIETE DEMASIADO** los tornillos de montaje.
5. Este producto contiene elementos pequeños que podrían provocar asfixia si se ingieren. Manténgalos fuera del alcance de los niños.
6. Este producto está diseñado para usarse solo en interiores. El uso de este producto en exteriores podría provocar fallas del producto y lesiones personales.

GUARDE ESTE MANUAL

PRODUCT PARAMETER

Modelo	Peso máximo cargado	Tamaño del producto
GZT60*60*80	Las 400 libras más altas Pavimento 300 libras	600*600*800 mm
GZT60*60*88		600*600*800 mm
GZT76*60*80		600*600*800 mm
GZT90X60J		900*600*800 mm

PARTS LIST



A x 1



B x 4



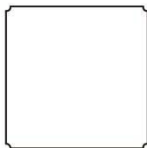
C x 12



D x 4



E x 1



F x 1



G x 4



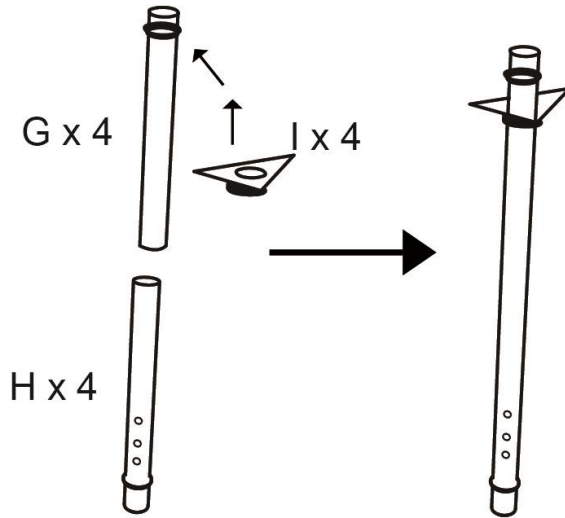
H x 4



I x 4

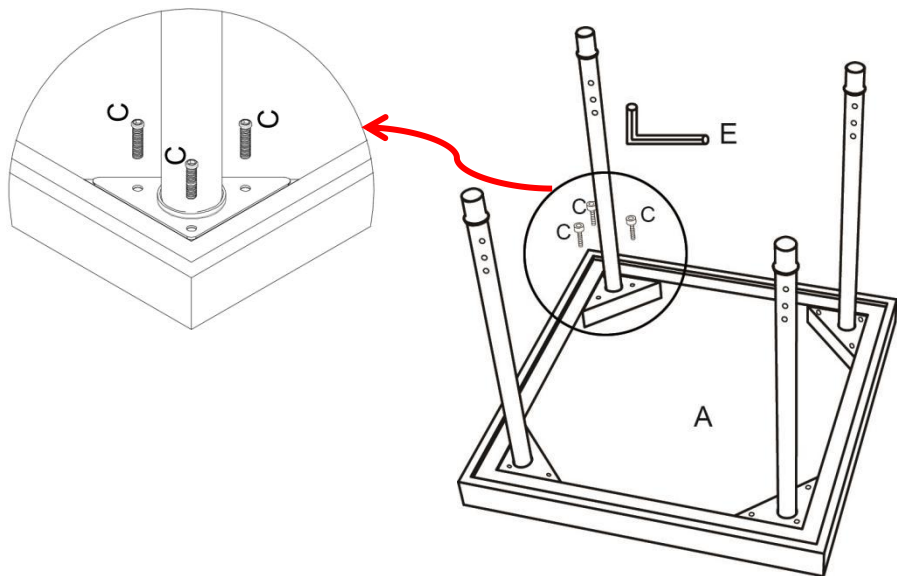
ASSEMBLY STEP

PASO 1

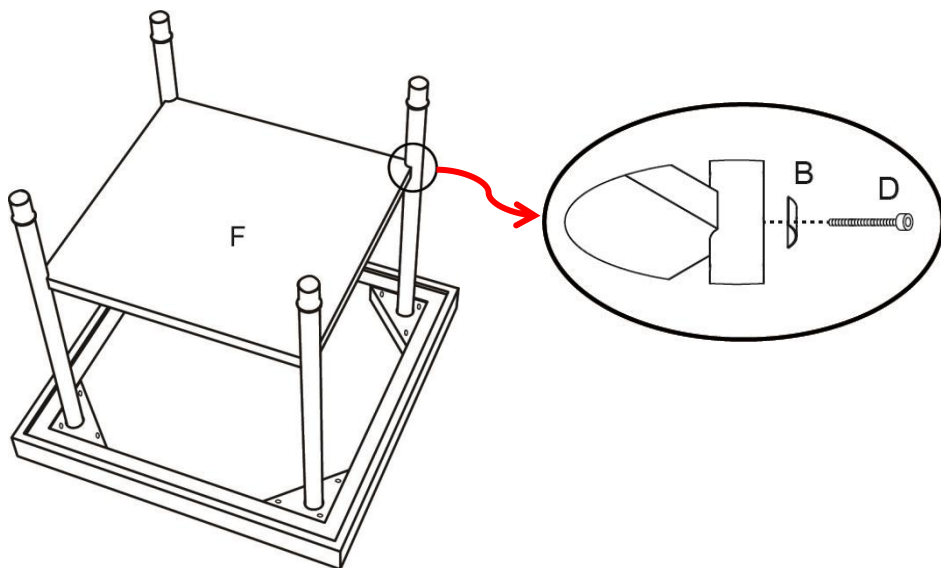


Nota: Las patas de la mesa están en una sola sección, omite este paso .

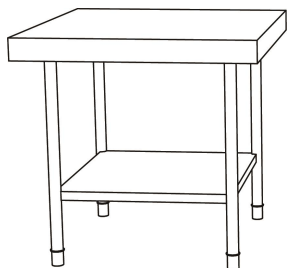
PASO 2



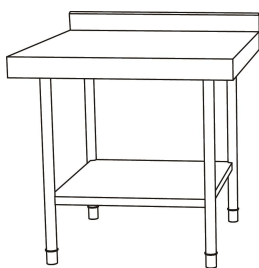
PASO 3



PASO 4



GZT60*60*80
GZT76*60*80



GZT60*60*88



GZT90X60J

Fabricante: Shanghai muxinmuyeyouxiangongsi

Dirección: Shuangchenglu 803nong11hao1602A-1609shi, baoshanqu, shanghai 200000 CN.

Importado a AUS: SIHAO PTY LTD. 1 ROKEVA STREET EASTWOOD NSW 2122 Australia

Importado a EE. UU.: Sanven Technology Ltd. Suite 250, 9166 Anaheim Place, Rancho Cucamonga, CA 91730



E-CrossStu GmbH
Mainzer Landstr.69, 60329 Frankfurt am Main.



YH CONSULTING LIMITED.
C/O YH Consulting Limited Office 147, Centurion House, London Road, Staines-upon-Thames, Surrey, TW18 4AX

VEVOR[®]

TOUGH TOOLS, HALF PRICE

Técnico Certificado de soporte y garantía electrónica

www.vevor.com/support

VEVOR[®]

TOUGH TOOLS, HALF PRICE

Techniczny Wsparcie i certyfikat gwarancji elektronicznej www.vevor.com/support

STÓŁ WARSZTATOWY

INSTRUKCJA obsługi

GZT60*60*80

GZT60*60*88

GZT76*60*80

GZT90X60J

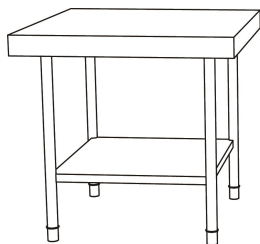
We continue to be committed to provide you tools with competitive price.

"Save Half", "Half Price" or any other similar expressions used by us only represents an estimate of savings you might benefit from buying certain tools with us compared to the major top brands and does not necessarily mean to cover all categories of tools offered by us. You are kindly reminded to verify carefully when you are placing an order with us if you are actually saving half in comparison with the top major brands.

VEVOR®

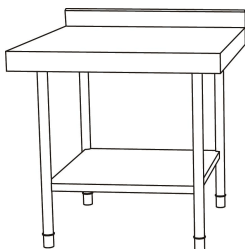
TOUGH TOOLS, HALF PRICE

WORKBENCH



GZT60*60*80

GZT76*60*80



GZT60*60*88



GZT90X60J

NEED HELP? CONTACT US!

Have product questions? Need technical support? Please feel free to contact us:

Technical Support and E-Warranty Certificate
www.vevor.com/support

This is the original instruction, please read all manual instructions carefully before operating. VEVOR reserves a clear interpretation of our user manual. The appearance of the product shall be subject to the product you received. Please forgive us that we won't inform you again if there are any technology or software updates on our product.

SAFETY INSTRUCTIONS

OSTRZEŻENIE:

Przeczytaj ten materiał przed użyciem tego produktu. Nieprzestrzeganie tego może spowodować poważne obrażenia.

Środki ostrożności podczas montażu

1. Montaż należy wykonywać wyłącznie zgodnie z niniejszą instrukcją. Nieprawidłowy montaż może stwarzać zagrożenia.
2. Utrzymuj miejsce zgromadzenia w czystości i zapewnij dobre oświetlenie.
3. Nie dopuszczać osób postronnych na teren montażu podczas jego trwania.
4. Nie przychodź na spotkania, jeśli jesteś zmęczony lub pod wpływem alkoholu, narkotyków lub leków.
5. Możliwości produktu odnoszą się wyłącznie do produktów prawidłowo i kompletnie zmontowanych.
6. Aby uzyskać dodatkowe informacje dotyczące części wymienionych na kolejnych stronach, zapoznaj się ze schematem montażu w tym podręczniku. Rozpakuj i oddziel wszystkie części w czystym miejscu pracy.

Stosuj środki ostrożności

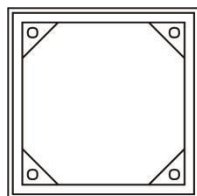
1. Stosowanie produktów o masie większej niż podana wartość znamionowa może skutkować niestabilnością, a w efekcie możliwymi obrażeniami.
2. Mocowania muszą być przymocowane zgodnie ze specyfikacją w instrukcji montażu. Nieprawidłowa instalacja może spowodować uszkodzenie lub poważne obrażenia ciała.
3. Upewnij się, że powierzchnia nośna będzie w stanie bezpiecznie utrzymać łączny ciężar sprzętu oraz całego przymocowanego sprzętu i komponentów.
4. Użyj dołączonych śrub montażowych i **NIE DOKRĘCAJ** ich ZBYT MOCNO.
5. Ten produkt zawiera małe przedmioty, które mogą być przyczyną zadławienia w przypadku połknięcia. Trzymaj te przedmioty z dala od dzieci.
6. Ten produkt jest przeznaczony wyłącznie do użytku wewnątrz pomieszczeń. Używanie tego produktu na zewnątrz może prowadzić do awarii produktu i obrażeń ciała.

ZAPISZ TĘ INSTRUKCJĘ

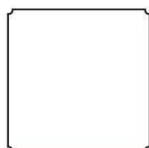
PRODUCT PARAMETER

Model	Maksymalna masa ładunku	Rozmiar produktu
GZT60*60*80	Najlepsze 400 funtów Podłoga 300 funtów	600*600*800 mm
GZT60*60*88		600*600*800 mm
GZT76*60*80		600*600*800 mm
GZT90X60J		900*600*800 mm

PARTS LIST



A x 1



F x 1



B x 4



C x 12



D x 4



E x 1



G x 4



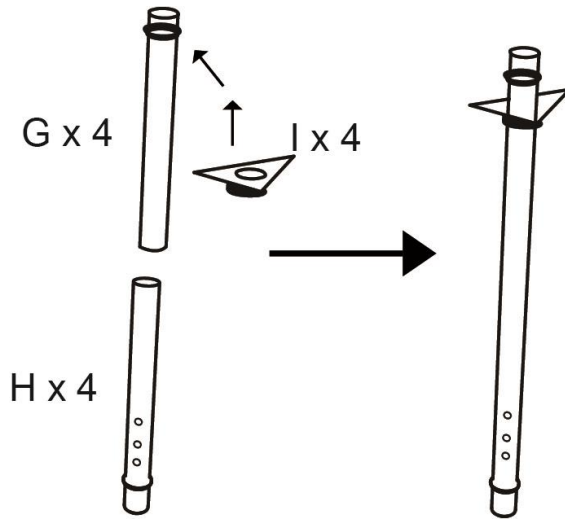
H x 4



I x 4

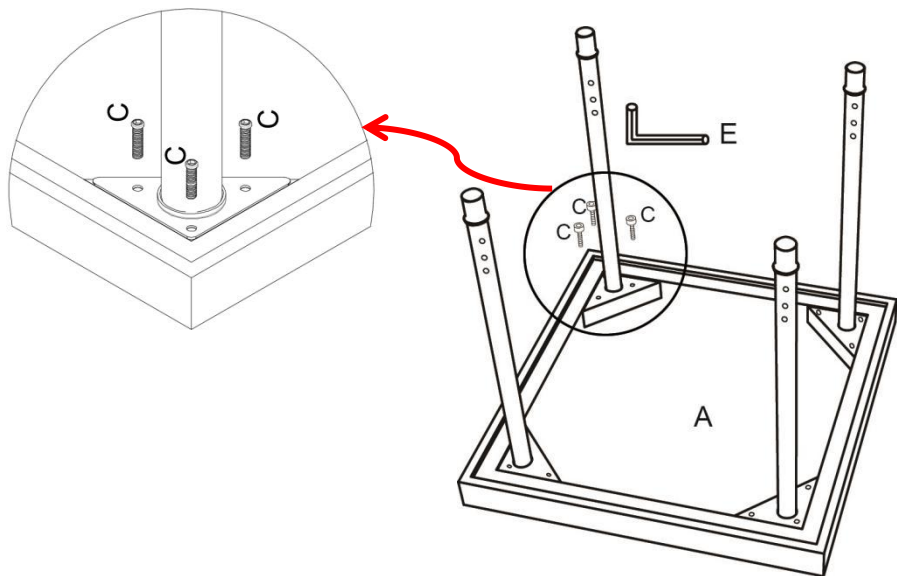
ASSEMBLY STEP

KROK 1

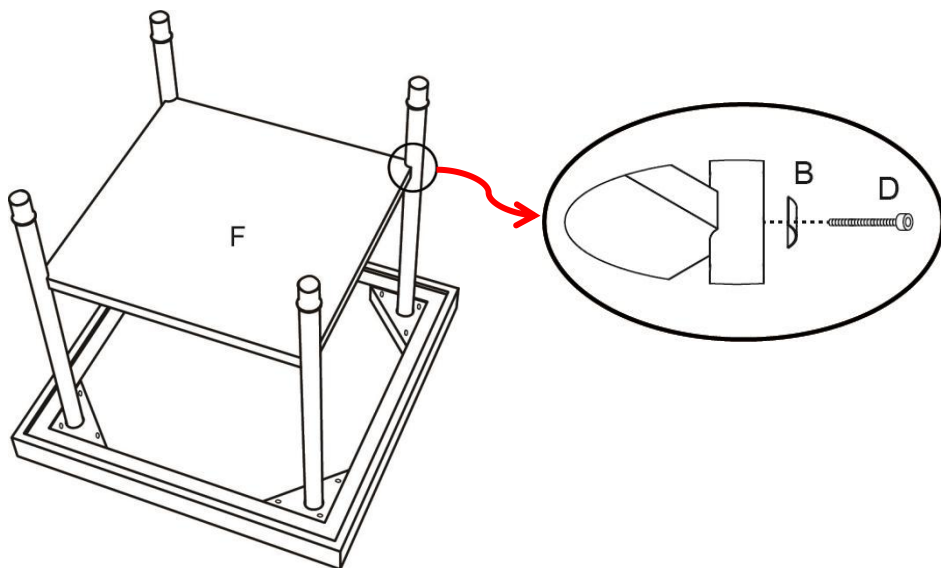


Uwaga: Nogi stołu znajdują się w jednej części, prosimy pominąć ten krok .

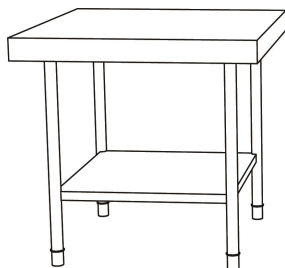
KROK 2



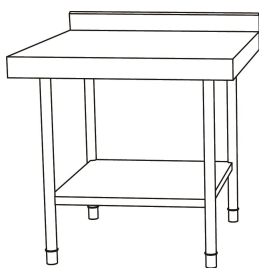
KROK 3



KROK 4



GZT60*60*80
GZT76*60*80



GZT60*60*88



GZT90X60J

Producent: Shanghaimuxinmuyeyouxiangongsi

Adres: Shuangchenglu 803nong11hao1602A-1609shi, baoshanqu, szanghaj 200000 CN.

Importowane do AUS: SIHAO PTY LTD. 1 ROKEVA
STREETEASTWOOD NSW 2122 Australia

Importowane do USA: Sanven Technology Ltd. Suite 250, 9166 Anaheim
Place, Rancho Cucamonga, CA 91730



E-CrossStu GmbH
Mainzer Landstr.69, 60329 Frankfurt am Main.



YH CONSULTING LIMITED.
C/O YH Consulting Limited Office 147, Centurion
House, London Road, Staines-upon-Thames, Surrey,
TW18 4AX

VEVOR[®]

TOUGH TOOLS, HALF PRICE

Techniczny Wsparcie i certyfikat e-gwarancji

www.vevor.com/support

VEVOR[®]

TOUGH TOOLS, HALF PRICE

Technique Certificat d'assistance et de garantie électronique

www.vevor.com/support

ÉTABLISSEMENT

MANUEL D' utilisation

GZT60*60*80

GZT60*60*88

GZT76*60*80

GZT90X60J

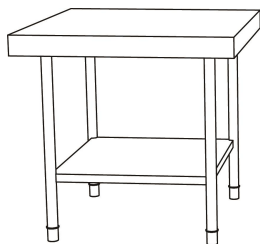
We continue to be committed to provide you tools with competitive price.

"Save Half", "Half Price" or any other similar expressions used by us only represents an estimate of savings you might benefit from buying certain tools with us compared to the major top brands and does not necessarily mean to cover all categories of tools offered by us. You are kindly reminded to verify carefully when you are placing an order with us if you are actually saving half in comparison with the top major brands.

VEVOR®

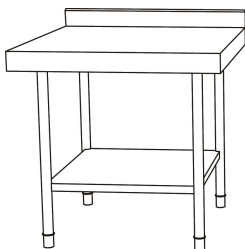
TOUGH TOOLS, HALF PRICE

WORKBENCH



GZT60*60*80

GZT76*60*80



GZT60*60*88



GZT90X60J

NEED HELP? CONTACT US!

Have product questions? Need technical support? Please feel free to contact us:

Technical Support and E-Warranty Certificate
www.vevor.com/support

This is the original instruction, please read all manual instructions carefully before operating. VEVOR reserves a clear interpretation of our user manual. The appearance of the product shall be subject to the product you received. Please forgive us that we won't inform you again if there are any technology or software updates on our product.

SAFETY INSTRUCTIONS

AVERTISSEMENT:

Lisez ce document avant d'utiliser ce produit. Le non-respect de ces instructions peut entraîner des blessures graves.

Précautions de montage

1. Assembler uniquement selon ces instructions. Un assemblage incorrect peut créer des dangers.
2. Gardez la zone de montage propre et bien éclairée.
3. Gardez les spectateurs hors de la zone pendant le montage.
4. Ne pas monter si vous êtes fatigué ou sous l' influence de l' alcool, de drogues ou de médicaments.
5. Les capacités du produit s'appliquent uniquement aux produits correctement et entièrement assemblés.
6. Pour plus d'informations sur les pièces répertoriées dans les pages suivantes, reportez-vous au schéma d'assemblage de ce manuel. Déballez et séparez toutes les pièces dans un espace de travail propre.

Précautions d'emploi

1. L'utilisation de produits plus lourds que les poids nominaux indiqués peut entraîner une instabilité pouvant entraîner des blessures.
2. Les supports doivent être fixés conformément aux instructions de montage. Une installation incorrecte peut entraîner des dommages ou des blessures graves.
3. Assurez-vous que la surface de support supportera en toute sécurité le poids combiné de l' équipement et de tout le matériel et les composants fixés.
4. Utilisez les vis de montage fournies et **NE SERREZ PAS TROP** les vis de montage.
5. Ce produit contient de petits éléments qui peuvent présenter un risque d'étouffement en cas d'ingestion. Gardez ces éléments hors de portée des enfants.

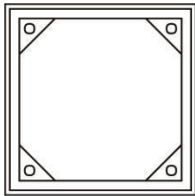
6. Ce produit est destiné à une utilisation en intérieur uniquement. L'utilisation de ce produit à l'extérieur peut entraîner une défaillance du produit et des blessures corporelles.

CONSERVER CE MANUEL

PRODUCT PARAMETER

Modèle	Poids maximal chargé	Taille du produit
GZT60*60*80	Les 400 livres les plus lourdes Plancher 300 livres	600*600*800mm
GZT60*60*88		600*600*800mm
GZT76*60*80		600*600*800mm
GZT90X60J		900*600*800mm

PARTS LIST



A x 1



B x 4



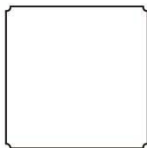
C x 12



D x 4



E x 1



F x 1



G x 4



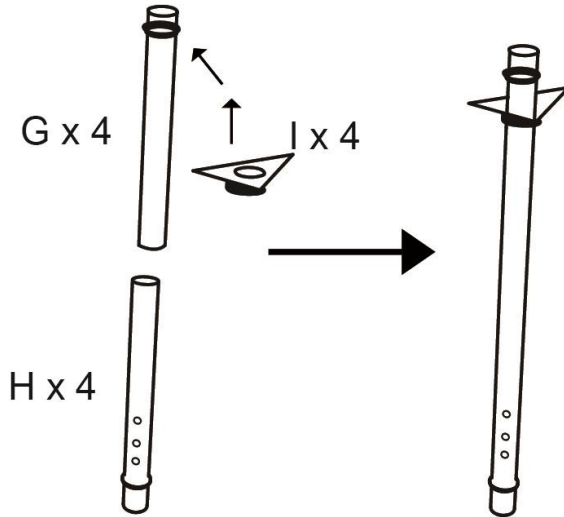
H x 4



I x 4

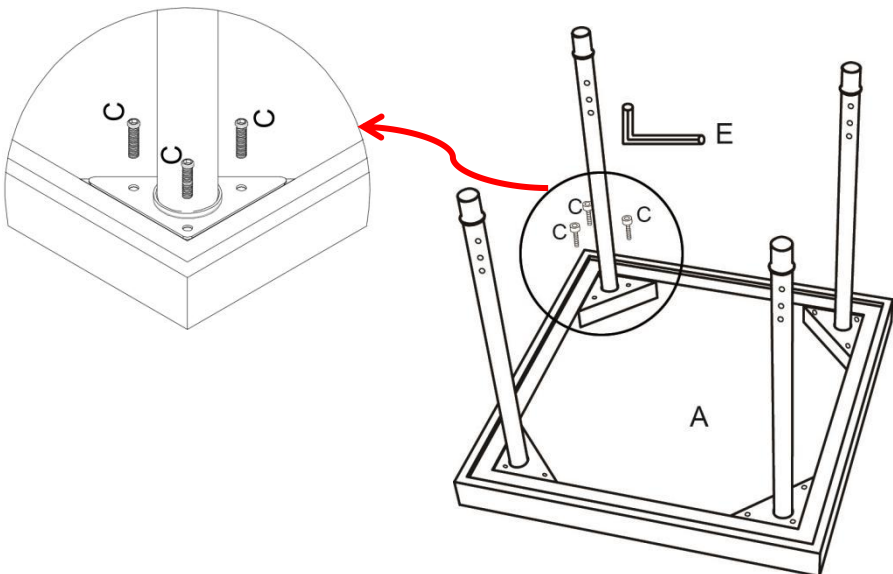
ASSEMBLY STEP

ÉTAPE 1

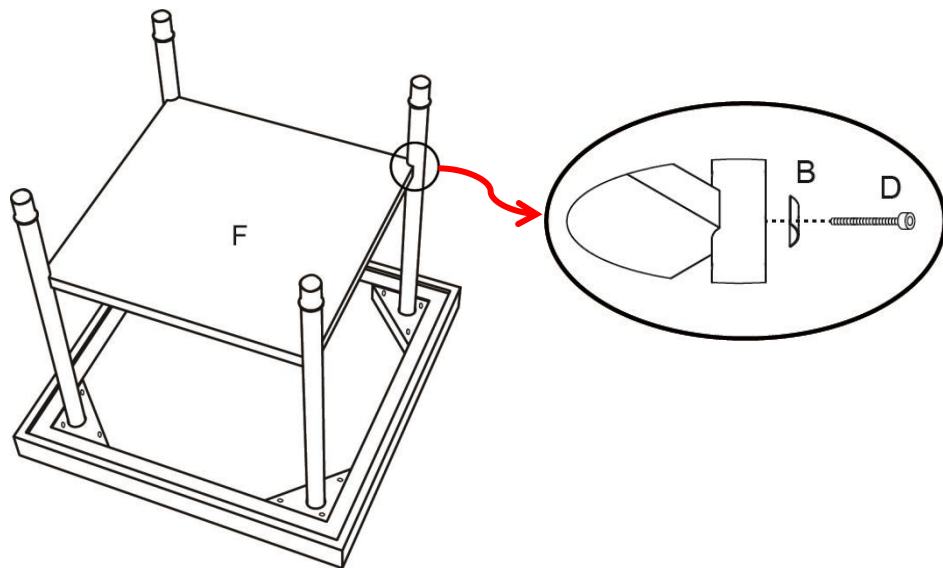


Remarque : les pieds de la table sont en une seule section, veuillez ignorer cette étape .

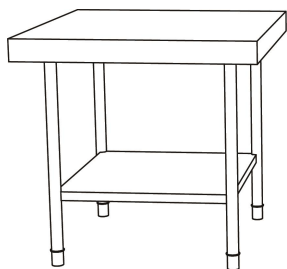
ÉTAPE 2



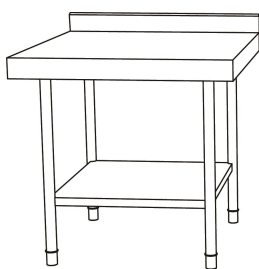
ÉTAPE 3



ÉTAPE 4



GZT60*60*80
GZT76*60*80



GZT60*60*88



GZT90X60J

Fabricant : Shanghaimuxinmuyeyouxiangongsi

Adresse : Shuangchenglu 803nong11hao1602A-1609shi, baoshanqu, shanghai 200000 CN.

Importé en Australie : SIHAO PTY LTD. 1 ROKEVA
STREETEASTWOOD NSW 2122 Australie

Importé aux États-Unis : Sanven Technology Ltd. Suite 250, 9166
Anaheim Place, Rancho Cucamonga, CA 91730



E-CrossStu GmbH
Mainzer Landstr.69, 60329 Frankfurt am Main.



YH CONSULTING LIMITED.
C/O YH Consulting Limited Office 147, Centurion
House, London Road, Staines-upon-Thames, Surrey,
TW18 4AX

VEVOR[®]

TOUGH TOOLS, HALF PRICE

Technique Certificat d'assistance et de garantie électronique

www.vevor.com/support

VEVOR[®]

TOUGH TOOLS, HALF PRICE

Tecnico Supporto e certificato di garanzia elettronica www.vevor.com/support

BANCO DA LAVORO

MANUALE D' uso

DIMENSIONI: GZT60*60*80

DIMENSIONI: GZT60*60*88

DIMENSIONI: GZT76*60*80

MODELLO GZT90X60J

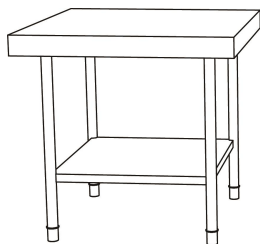
We continue to be committed to provide you tools with competitive price.

"Save Half", "Half Price" or any other similar expressions used by us only represents an estimate of savings you might benefit from buying certain tools with us compared to the major top brands and does not necessarily mean to cover all categories of tools offered by us. You are kindly reminded to verify carefully when you are placing an order with us if you are actually saving half in comparison with the top major brands.

VEVOR®

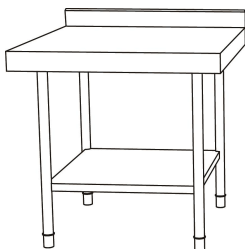
TOUGH TOOLS, HALF PRICE

WORKBENCH



GZT60*60*80

GZT76*60*80



GZT60*60*88



GZT90X60J

NEED HELP? CONTACT US!

Have product questions? Need technical support? Please feel free to contact us:

Technical Support and E-Warranty Certificate
www.vevor.com/support

This is the original instruction, please read all manual instructions carefully before operating. VEVOR reserves a clear interpretation of our user manual. The appearance of the product shall be subject to the product you received. Please forgive us that we won't inform you again if there are any technology or software updates on our product.

SAFETY INSTRUCTIONS

AVVERTIMENTO:

Leggere questo materiale prima di utilizzare questo prodotto. La mancata osservanza di questa precauzione può causare gravi lesioni.

Precauzioni di montaggio

1. Montare solo secondo queste istruzioni. Un montaggio improprio può creare pericoli.
2. Mantenere l'area di riunione pulita e ben illuminata.
3. Durante l'assemblea, tenere gli astanti lontani dall'area.
4. Non riunirsi quando si è stanchi o sotto l'effetto di alcol, droghe o farmaci.
5. Le capacità del prodotto si applicano solo ai prodotti correttamente e completamente assemblati.
6. Per ulteriori informazioni sulle parti elencate nelle pagine seguenti, fare riferimento allo schema di montaggio di questo manuale. Disimballare e separare tutte le parti in un'area di lavoro pulita.

Usare precauzioni

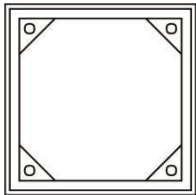
1. L'uso con prodotti più pesanti di quelli nominali indicati può causare instabilità e possibili lesioni.
2. I supporti devono essere fissati come specificato nelle istruzioni di montaggio. Un'installazione non corretta può causare danni o gravi lesioni personali.
3. Assicurarsi che la superficie di appoggio sia in grado di sostenere in modo sicuro il peso combinato dell'attrezzatura e di tutti i componenti e gli accessori ad essa collegati.
4. Utilizzare le viti di montaggio fornite e **NON SERRARE ECCESSIVAMENTE** le viti di montaggio.
5. Questo prodotto contiene piccoli oggetti che potrebbero rappresentare un rischio di soffocamento se ingeriti. Tenere questi oggetti lontano dalla portata dei bambini.
6. Questo prodotto è destinato esclusivamente all'uso in ambienti chiusi. L'uso di questo prodotto all'aperto potrebbe causare guasti al prodotto e lesioni personali.

SALVA QUESTO MANUALE

PRODUCT PARAMETER

Modello	Peso massimo caricato	Dimensioni del prodotto
DIMENSIONI: GZT60*60*80	Le prime 400 libbre Pavimento 300 libbre	600*600*800mm
DIMENSIONI: GZT60*60*88		600*600*800mm
DIMENSIONI: GZT76*60*80		600*600*800mm
MODELLO GZT90X60J		900*600*800mm

PARTS LIST



A x 1



B x 4



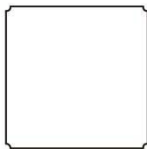
C x 12



D x 4



E x 1



F x 1



G x 4



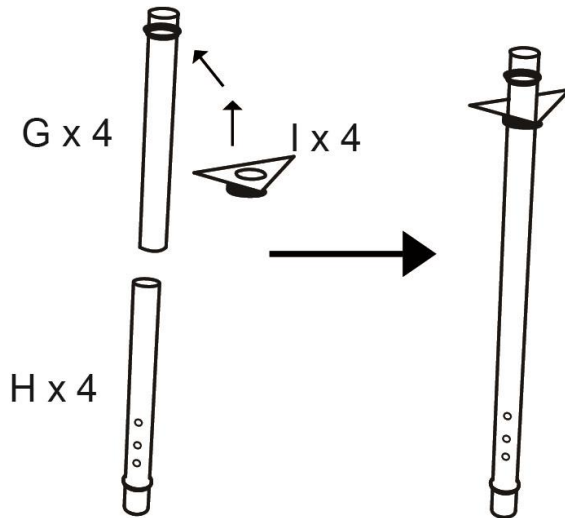
H x 4



I x 4

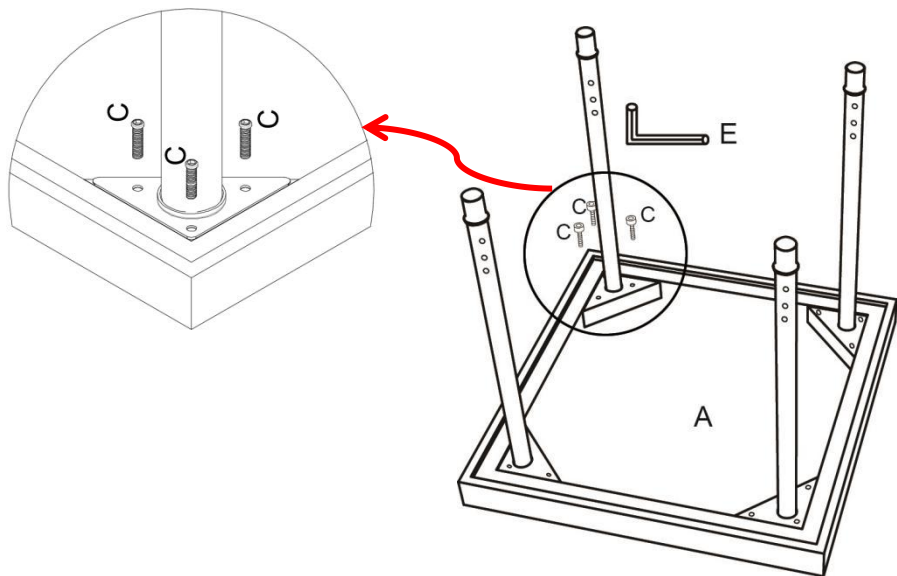
ASSEMBLY STEP

PASSO 1

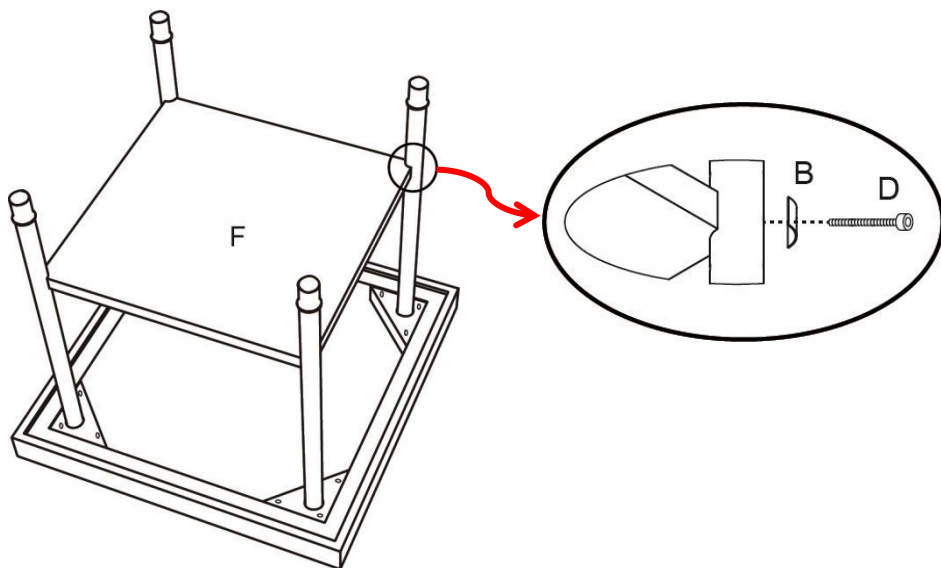


Nota: le gambe del tavolo sono in un'unica sezione, saltare questo passaggio .

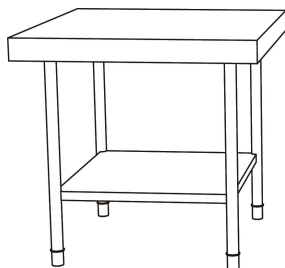
PASSO 2



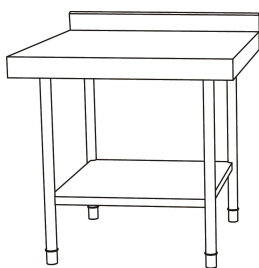
PASSO 3



PASSO4



GZT60*60*80
GZT76*60*80



GZT60*60*88



GZT90X60J

Produttore: Shanghai muxinmuyeyouxiangongsi

Indirizzo: Shuangchenglu 803nong11hao1602A-1609shi, baoshanqu, shanghai 200000 CN.

Importato in AUS: SIHAO PTY LTD. 1 ROKEVA STREET EASTWOOD NSW 2122 Australia

Importato negli USA: Sanven Technology Ltd. Suite 250, 9166 Anaheim Place, Rancho Cucamonga, CA 91730



E-CrossStu GmbH
Mainzer Landstr.69, 60329 Frankfurt am Main.



YH CONSULTING LIMITED.
C/O YH Consulting Limited Office 147, Centurion House, London Road, Staines-upon-Thames, Surrey, TW18 4AX

VEVOR[®]

TOUGH TOOLS, HALF PRICE

Tecnico Supporto e certificato di garanzia elettronica

www.vevor.com/support