

# **VEVOR<sup>®</sup>**

## **TOUGH TOOLS, HALF PRICE**

Technical Support and E-Warranty Certificate

[www.vevor.com/support](http://www.vevor.com/support)

## **Tankless Electric Water Heater**

**MODEL: JN08 / JN13**

We continue to be committed to provide you tools with competitive price.

"Save Half", "Half Price" or any other similar expressions used by us only represents an estimate of savings you might benefit from buying certain tools with us compared to the major top brands and does not necessarily mean to cover all categories of tools offered by us. You are kindly reminded to verify carefully when you are placing an order with us if you are actually saving half in comparison with the top major brands.

**VEVOR**<sup>®</sup>  
TOUGH TOOLS, HALF PRICE

TANKLESS ELECTRIC  
WATER HEATER

MODEL: JN08 / JN13



**NEED HELP? CONTACT US!**

Have product questions? Need technical support? Please feel free to contact us:

 [CustomerService@vevor.com](mailto:CustomerService@vevor.com)

This is the original instruction, please read all manual instructions carefully before operating. VEVOR reserves a clear interpretation of our user manual. The appearance of the product shall be subject to the product you received. Please forgive us that we won't inform you again if there are any technology or software updates on our product.

Keep this instructions manual in a safe place once your unit is installed. You should refer to it for general instructions or future maintenance.

**Please read and follow the installation and operation instructions carefully to ensure this appliance's long life and reliable operation.**

## **CONTENTS**

<b>Important Safety Instructions</b>	<b>----- page 3</b>
<b>Electrical Diagram</b>	<b>----- page 5</b>
<b>Technical Data</b>	<b>----- page 7</b>
<b>Product Structure</b>	<b>----- page 8</b>
<b>Installation Guideline</b>	<b>----- page 10</b>
<b>Operation Instructions</b>	<b>----- page 15</b>
<b>Trouble-shooting</b>	<b>----- page 16</b>
<b>Normal Maintenance</b>	<b>----- page 17</b>

## WARNINGS

This is not a do-it-yourself project. Failure to have this appliance installed by a licensed plumber and electrician will void all warranties.

Under no circumstances should you attempt to install, repair or disassemble the tankless electric water heater without first shutting off all power to the unit directly at the circuit breaker box.

Installation of this product is restricted to indoor locations only by licensed plumbing or electrical contractors.

Power cable and circuit breaker requirement			
Model	Main Circuit Breaker	Dedicated circuit breaker	Required wire
JN08	≥40A	≥40A	10# AWG
JN13	≥70A	≥70A	6# AWG

### Important Safety Instructions

1. The installation must comply with the National Electrical Code, your local electrical and plumbing codes.
2. This appliance must be **EARTHED**.
3. A qualified electrician must supervise all wiring and installation.
4. **CAUTION: This product has more than one power-supply connection point. Disconnect all power supplies before servicing (for models JN08, JN13, JN18, JN27 only).**
5. This appliance is not intended for use by persons (including children) with reduced physical sensory or mental capabilities, or lack of experience and knowledge, unless they have been given supervision or instruction concerning use of the appliance by a person responsible for their safety. Children should be supervised to ensure they do not play with the appliance.
6. This appliance **MUST** be permanently connected to the fixed circuit breaker and installed vertically. **DO NOT** install this appliance near to tinder or strong magnetic field place.
7. This appliance is **forbidden** to be switched on if you think it may be frozen, as this could result in serious damage to the unit. Wait until you are

sure that it has completely thawed out before you switch it on.

8. To avoid scalding, please feel the outlet hot water temperature with your hand to ensure it is suitable for showering before showering.

9. Before connecting pipes to the water heater hoses, it is extremely important to FLUSH the pipes to wash away all plumbing paste or residue in the pipes.

10. The heating chamber is treated with composite nano insulation material; it is natural if there might be a bit of smell or green blue smoke when the unit is used for the first time.

11. If there is damage to the wire, you must contact qualified electrician to replace it with dedicated wire from our authorized dealers.

**12. CAUTION: FOR HOUSEHOLD AND INDOOR USE ONLY**

**13. Risk of electric shock, CONNECT ONLY TO A CIRCUIT THAT IS PROTECTED BY A GROUND-FAULT CIRCUIT INTERRUPTER(GFCI).**

**14. Save this instruction.**

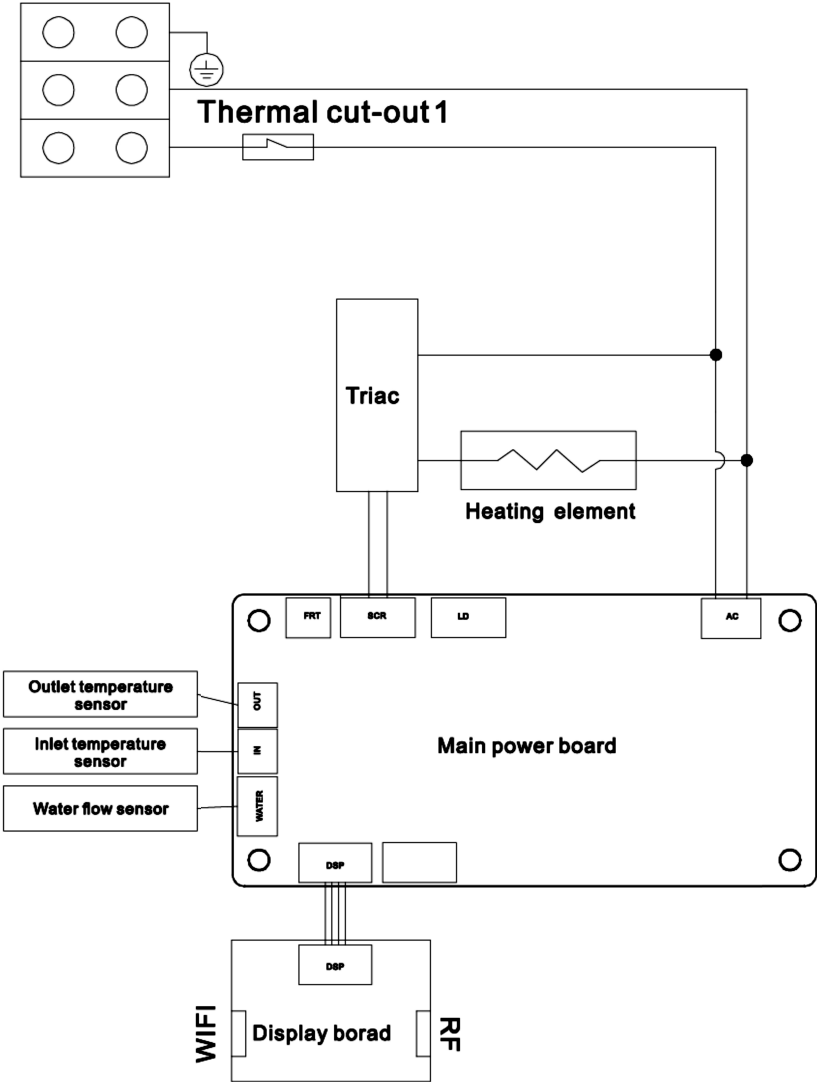
## Product Features

The tankless electric water heaters are incorporated with China's national patent technology with multi-safety devices. Besides, the unit has the following features.

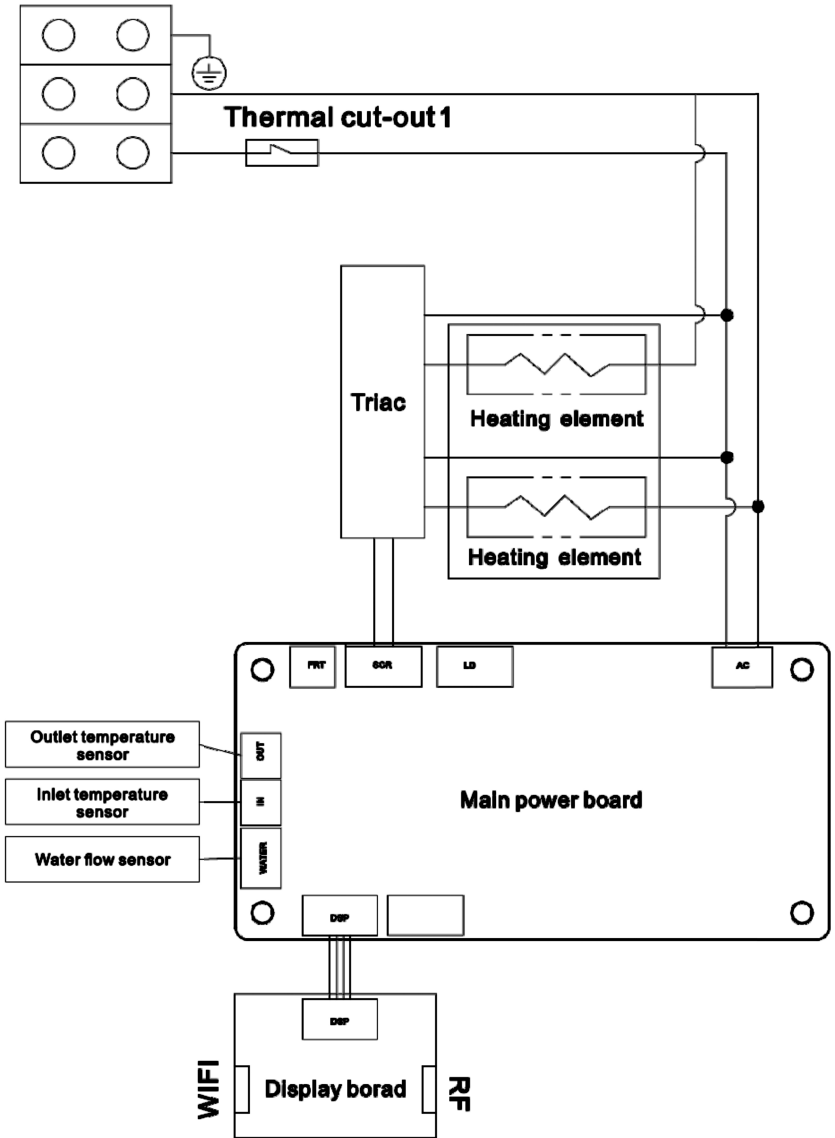
1. Tankless, instantaneous heating for on-demand hot water. No pre-heating. No stand-by heating loss. Energy-saving.
2. Micro-computer control, Adopting patent heating technology. Water is completely separated from electricity by multi-layers of composite nano insulation material.
3. Over temperature protection: when the outlet water temp. reaches over 167°F/75°C, the electricity will be cut off to avoid getting scalded and the screen displays E1. the appliance will start to work automatically while temp. drop to the set temperature.
4. Malfunction of sensor- when there is malfunction with the inlet temperature sensor, the heater stops working and displays E3.
5. Malfunction of sensor- when there is malfunction with the outlet temperature sensor, the heater stops working and displays E4
6. Conversion between degree Fahrenheit and degree Celsius.

# Electrical Diagram

JN08



# JN13



## Technical Data

Model	JN08	JN13
Phase	1	1
Voltage	AC 240V	AC 240V
Wattage	8kW	13.8kW
Max. Amp. Load	33A	58A
Min. Required Circuit Breaker	40A	70A
Min. Wire Size AWG Copper	10#	6#
Min. Water Flow to Activate	0.4GPM	0.53GPM
Product Dimension	358x246x85MM	
Water Connections NPT	1/2"	

**Note: \*Suitable recognized strain relief means shall be provided when the product is installed.**

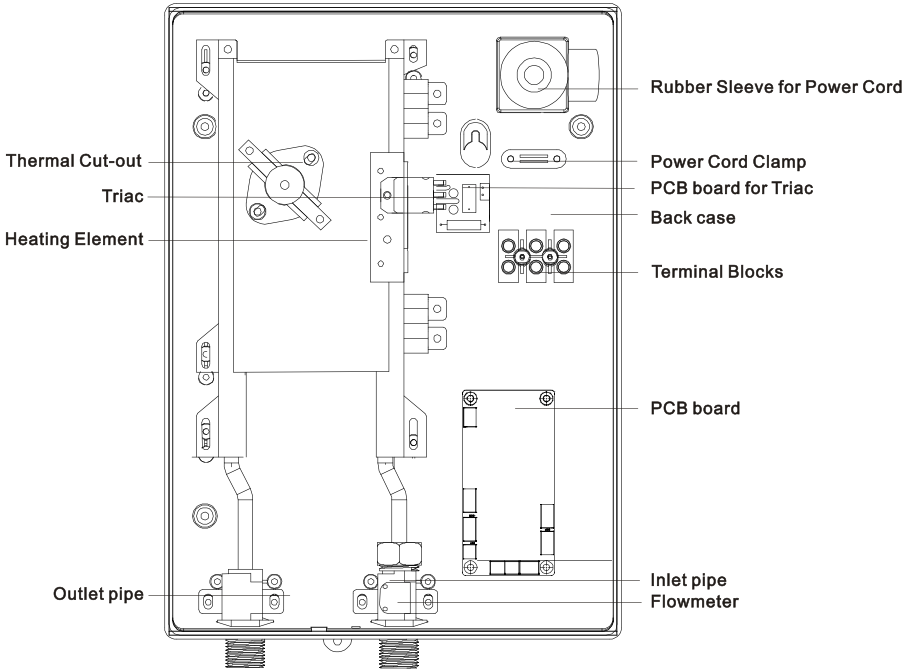
## Recommended Accessories

Subject	JN08	JN13
Water inlet pipe	1pc (NPT1/2" connector)	1pc (NPT1/2" connector)
Water outlet pipe	1pc (NPT1/2" connector)	1pc (NPT1/2" connector)
Circuit breaker	40A	70A
Power cable	10AWG	6AWG
<ul style="list-style-type: none"> <li>• Length of power cable need to calculated according to distance between heater and circuit breaker.</li> <li>• Above mentioned accessories are excluded.</li> </ul>		

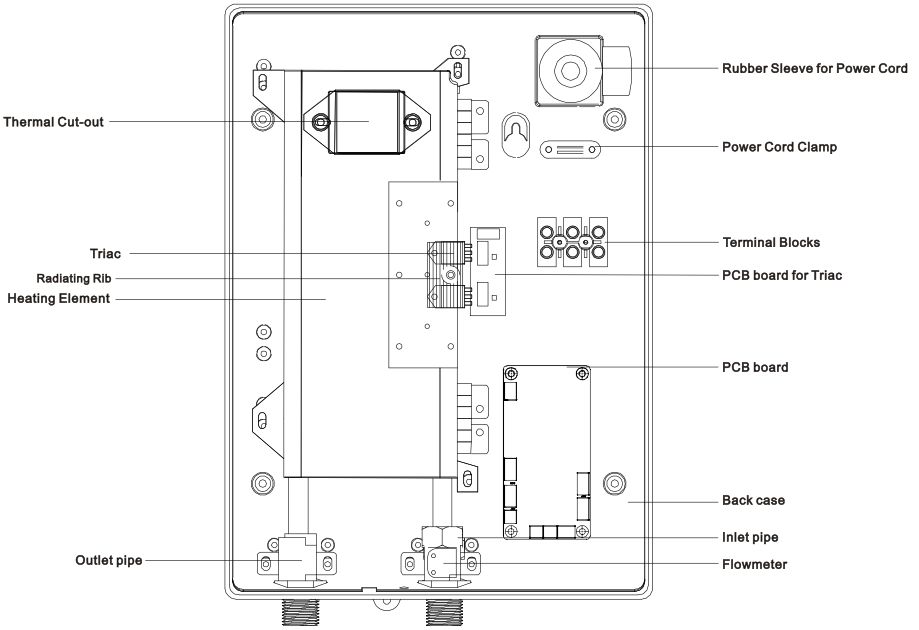


# Product Inner Structure

## JN08



# JN13



## Installation Guideline

The installation must comply with the National Electrical Code, your local electrical and plumbing codes.

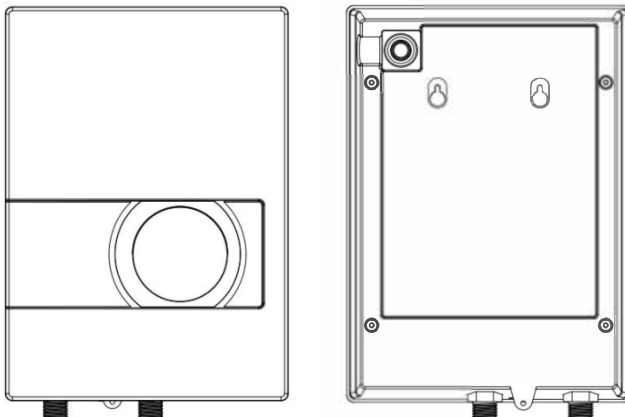
1. Make sure the appliance is intact, and the fittings are complete.
2. Please make sure the main power supply, water pressure, grounding condition, ammeter and wire reach the standard of installation requirement.
3. The appliance must be connected to properly grounded dedicated branch circuits of proper voltage rating. Ground must be brought to the “ground” at the circuit breaker panel.
4. This appliance **MUST** be permanently connected to the fixed circuit breaker. Please switch off the circuit breaker if you don't use the heater.
5. **DO NOT** install this appliance near to tinder or strong magnetic field place. The unit must only be mounted in a VERTICAL position near by the water fittings. Please electrify and try the machine after getting through waterway.

## Installation Method

### ● Fixed installation on the wall

Locate an appropriate place on a section of wall as above mentioned.

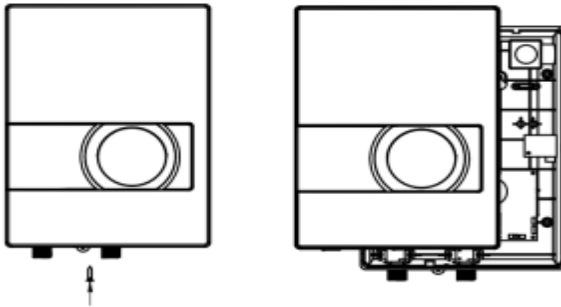
**Fig 1** —————> Front and back of the appliance.



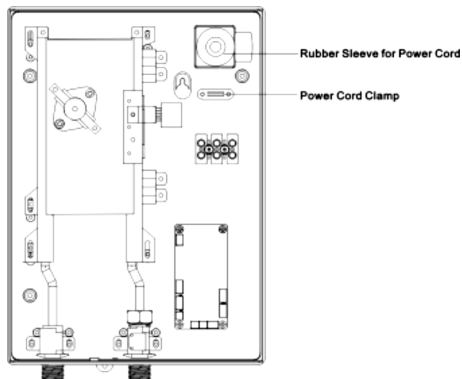
**Fig 2** —————> Remove screw which fixed the front case and back case and then open the front case.



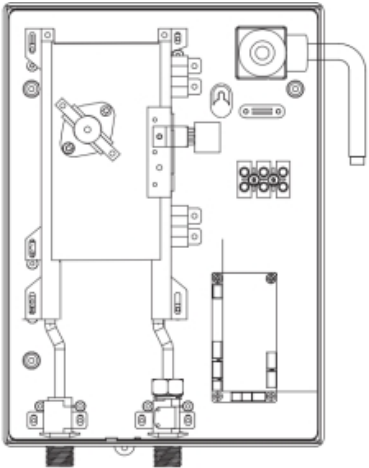
**Fig 3** —————> Uninstall screws on appliance to remove the front case, please use hand to pull out the screen row line plug carefully before removing the front case.



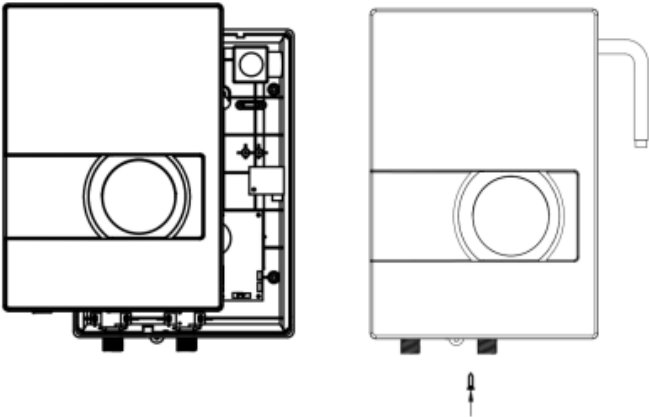
**Fig 4** —————> Cut the top of rubber sleeve for power cord, loosen the screw of the power cord clamp.



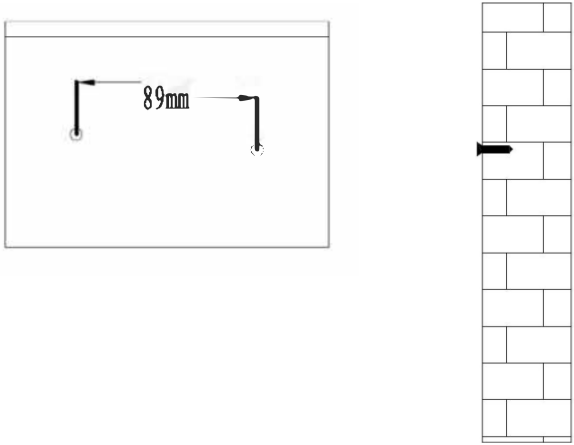
**Fig 5** —————> Connect the cable to the terminal blocks, please notice the guidance logo below the terminal blocks. JN08 will be connected to one circuit breaker, JN13 will be connected to two circuit breakers.



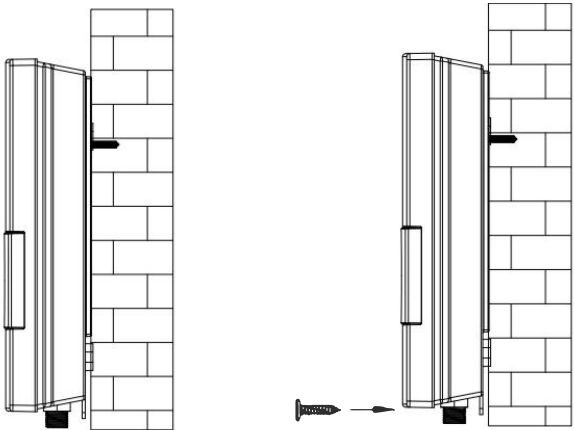
**Fig 6** —————> Fix the front case on appliance, fix the power cord clamp, and plug in the screen row line plug. Then nail the screws to fix the front case.



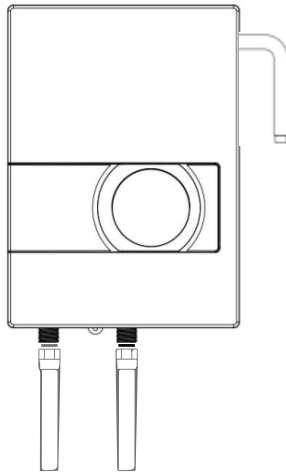
**Fig 7** —————> Tear off the installation cardboard from user manual inner page, to make 2 marks for punching; then drill 2 holes with 6mm diameter, the distance between 2 hole is 89mm. and insert 2 expansion screws in the wall and put 4\*25mm self-tapping screw into the expansion screw.



**Fig 8** —————> Fix the appliance on the wall and put one 4\*25mm self-tapping screw into the expansion screw pass through the bottom hole to lock down the appliance.



**Fig 9** —————> Connect the water pipe to the water inlet and water outlet connections, please remember to install the rubber seal ring.



● **Water connections**

- 1, All water pipes must comply with national and applicable state and local water pipe codes.
- 2, The unit should be connected directly to the main water supply. Flush pipe with water to remove any debris or loose particles
- 3, It is required that use 1/2" NPT water connections to fit the models of JN08, use 3/4" NPT water connections to fit the models of JN13.
- 4, Please remember to install rubber seal rings at the connections. When all water connections are completed, check for leaks and take corrective action before proceeding.




● **Electrical connection**

- 1, All electrical work must comply with national and applicable state and local electrical codes
- 2, All units must be connected to a properly grounded dedicated branch circuit of proper voltage rating.
- 3, JN08 can be connected to a single circuit, use a supply cable protected by a double pole breaker
- 4, JN13 require two independent circuits. Use two supply cables protected by two separate double pole breakers.



5, While feeding the cable to terminal blocks, please make sure the metal wire ends and the terminal blocks to touch completely. Then tighten the screws up to ensure the full current can go through.





6, Before beginning any work on the electric installation, be sure that main breaker panel switch is OFF to avoid any danger of electric shock, all mounting and plumbing must be completed before proceeding with electrical hook-up.

## Operation Instructions

1. Turn on the circuit breaker to bring electrical power to the unit.
2. Open water faucet for a few minutes until water flow is continuous and all air is purged from water pipes. The unite must be operated after the breakers are turned on.
3. After the unit is supplied with power, a beep sound can be heard and LED lights for 2 seconds, no other display, the appliance keeps on standby.
4. Press “” to turn ON/OFF the appliance. When the unit is ON, LED displays actual water temperature of the outlet. While the appliance stops working, after 5 seconds, the screen will switch to the screen saver. The display screen light will be off. If there is touch to the screen, it will be light again.
5. Single touch  and  to adjust the outlet temperature. Temperature setting range is 30--60°C/ 86-140°F.
  - If the unit has been paused, you may initially get a short burst of very hot water while you turn on again. Please run the water through for a few seconds to let the temperature settle down. And check water temperature before you use it.
  - If the unit is unused in winter, drain the water entirely so the heater will not be frozen.
  - Please periodically clean inlet strainer and the shower to keep a free water flow.



6, Press  then press  to convert the temperature display between Fahrenheit degree and Celsius degree.

6. Touch  and hold for 5 seconds to lock the operation panel, in locking state, the light of  will keep on, then touch  and hold for 5 seconds to unlock the operation panel, the light of  will be off.

7. There is an automatic memory function to avoid repetitive operation, while you turn on the appliance, the default set temp. will be the same as last time set.

8. A qualified electrician should only perform it. The person who initially installed the unit is the best one to contact for help.

## Trouble-shooting

Problems	Possible Causes	Corrective Actions
1. Inlet and outlet fittings are leaking.	A. Fittings are not tight. B. Rubber washer is worn-out.	A. Tighten fittings. B. Change rubber washer.
2. LED has no signal.	A. Power is not connected. B. LCD is damaged.	A. Connect power to the unit. B. Change LCD.
3. Functional keys are not working.	A. No water is out from shower. B. Water pressure is too low. C. Key or PCB damaged.	A. Open valve to get water. B. Open valve to get pressure. C. Change key or PCB.
4. Water is too hot.	A. Too high temperature set. B. Water flow is too small.	A. Set a lower temperature. B. Open valve bigger.
5. Water is too cold.	A. Low temperature set. B. Water flow is too large.	A. Set a higher temperature. B. Reduce water flow.
6. Outlet gets water smaller and smaller.	Inlet strainer or shower is clogged.	A. Clean or replace strainer B. Clean shower.

<b>Problems</b>	<b>Possible Causes</b>	<b>Corrective Actions</b>
7. LED displays E1.	Outlet temp. is over 75°C/167°F.	A, Reduce the temperature. B, Turn up the water flow.
8. LED displays E3.	Inlet temperature sensor is failed.	Please contact with your local dealer.
9. LED displays E4.	Outlet temperature sensor is failed.	Please contact with your local dealer.
10. Display is overload.	Inlet water flow is too big.	Reduce the inlet water flow.

## Normal Maintenance

**Note: Do not attempt to repair this water heater yourself. Call a service person for assistance. Always turn off these operations. The power supply needs to be shut off.**

**It is not required any regular maintenance. However, to ensure consistent water flow, it is recommended following maintenance.**

1, Periodically remove scale and dirt that may build up at the aerator of the faucet or in the shower head.

2, There is a built- in filter screen at inlet connection which should be cleaned from time to time. Please turn off the water flow before doing this.

## Packing List

<b>Item</b>	<b>Unit</b>	<b>Quantity</b>
Electric Water Heater	Unit	1
Accessories Pack Set (Screws, rubber plugs, rubber washer, strainer)	Set	1
Operation and Installation Instructions	Copy	1

**Made In China**



**VEVOR<sup>®</sup>**

**TOUGH TOOLS, HALF PRICE**

Technical Support and E-Warranty Certificate

[www.vevor.com/support](http://www.vevor.com/support)