

VEVOR[®]

TOUGH TOOLS, HALF PRICE

Technical Support and E-Warranty Certificate www.vevor.com/support

STEP STOOL

MODEL:WK2071B

We continue to be committed to provide you tools with competitive price.

"Save Half", "Half Price" or any other similar expressions used by us only represents an estimate of savings you might benefit from buying certain tools with us compared to the major top brands and does not necessarily mean to cover all categories of tools offered by us. You are kindly reminded to verify carefully when you are placing an order with us if you are actually saving half in comparison with the top major brands.

VEVOR®

TOUGH TOOLS, HALF PRICE

MODEL:WK2071B



NEED HELP? CONTACT US!

Have product questions? Need technical support? Please feel free to contact us:

Technical Support and E-Warranty Certificate
www.vevor.com/support

This is the original instruction, please read all manual instructions carefully before operating. VEVOR reserves a clear interpretation of our user manual. The appearance of the product shall be subject to the product you received. Please forgive us that we won't inform you again if there are any technology or software updates on our product.

Notes

1.1 Before Use

Use the ladder only when you are in a healthy physical condition. Using the product when pregnant, under medicine treatment, or when using alcohol or drugs may cause danger to the user and other people.

Please check and make sure the ladder is in proper condition and safe to use before every use.

Periodically check the condition of ladder to ensure safe use.

1.2 Placing the Ladder

Ladder must be placed on a flat and solid ground.

Please keep the ladder out of the reach of children.

Please be careful when positioning or moving the ladder to avoid hitting other people, animals and any object around you.

Do not move the ladder when a person is using it. Never use the ladder if it has become damaged.

Contaminants on the ladder (such as wet paints, oils & lubricants, snow, etc.) must be removed before use.

1.3 Use of the Ladder

Metal conducts electricity; never use this ladder near an electrical current.

Please do not use the ladder outdoors if in unfavourable weather conditions.

Maximum weight capacity for this ladder is 150 kg, which includes the weight of user, tools and materials.

Do not use in front of unlocked doors.

Do not jump or move abruptly when on the ladder.

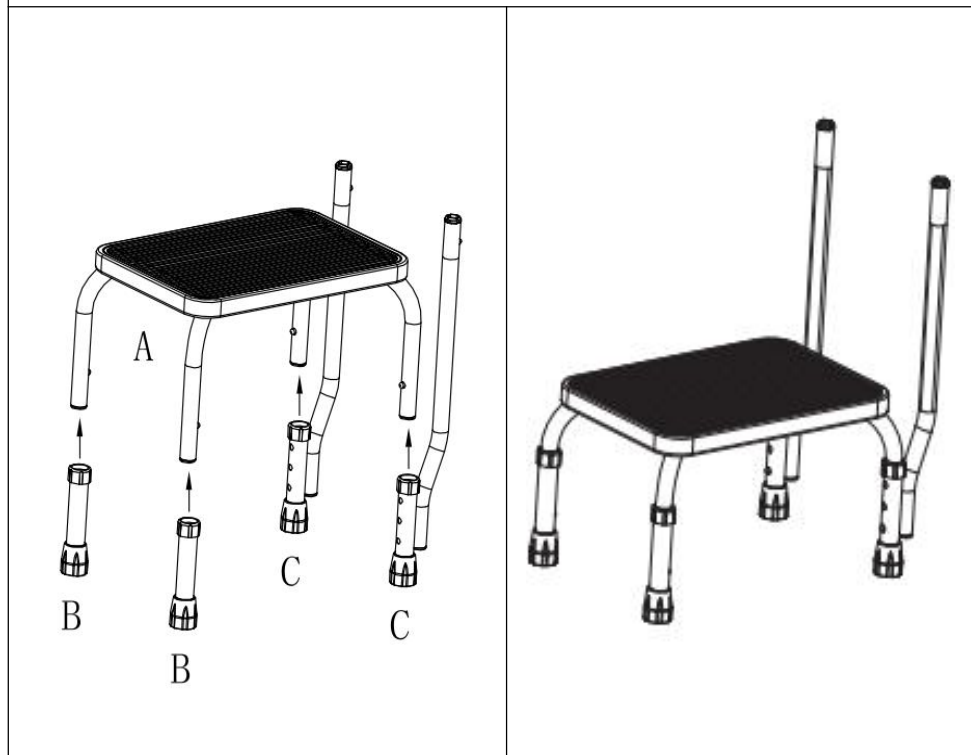
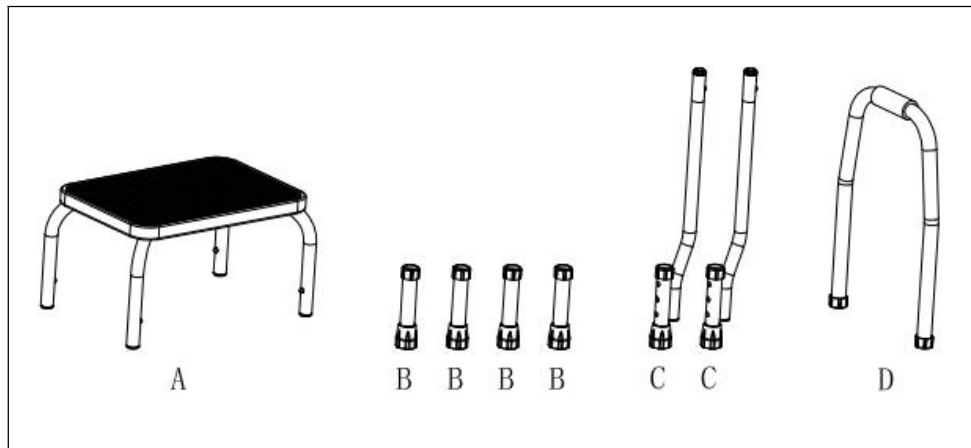
Keep children away from the ladder.

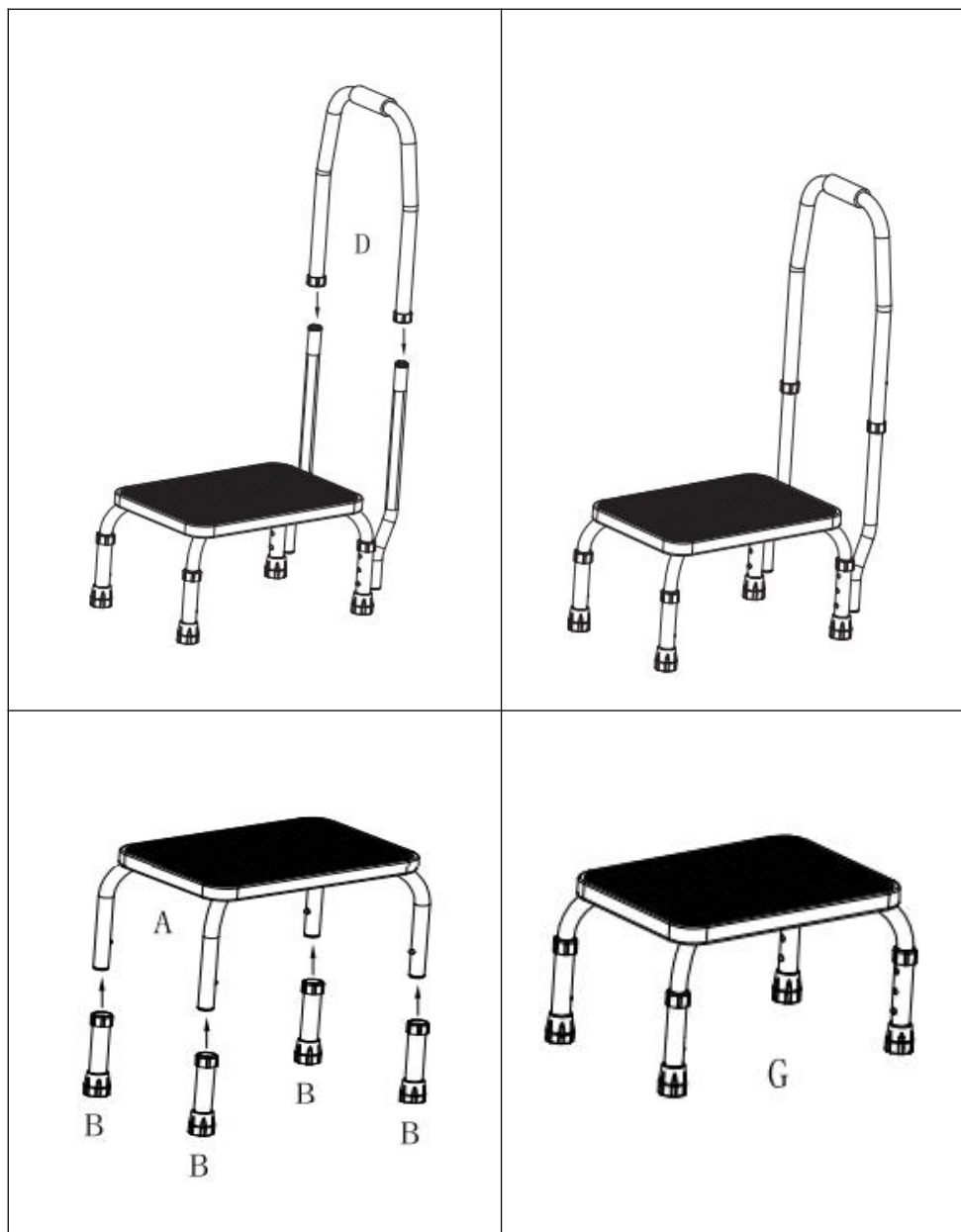
Always wear non-slip shoes that fit properly when using the ladder.

Do not wear baggy clothing which may become caught on the ladder.

Warning: Children are not allowed to use this ladder.

HARDWARE INCLUDED





1.To adjust the height , press in each brass tab on each leg to adjust the height of the leg making sure all four legs are the same height .The legs

are adjustable to three positions adjusting by 1 " increments.

2.Insert the handle into the arm extensions . Make sure the handle locks into the brass tabs . The handle can be adjusted to three heights in 1 " increments.

Manufacturer: Shanghaimuxinmuyeyouxiangongsi

Address: Shuangchenglu 803nong11hao1602A-1609shi, baoshanqu, shanghai 200000 CN.

Imported to AUS: SIHAO PTY LTD. 1 ROKEVA STREETEASTWOOD NSW 2122 Australia

Imported to USA: Sanven Technology Ltd. Suite 250, 9166 Anaheim Place, Rancho Cucamonga, CA 91730



E-CrossStu GmbH
Mainzer Landstr.69, 60329 Frankfurt am Main.



YH CONSULTING LIMITED.
C/O YH Consulting Limited Office 147, Centurion House, London Road, Staines-upon-Thames, Surrey, TW18 4AX

VEVOR[®]

TOUGH TOOLS, HALF PRICE

Technical Support and E-Warranty Certificate

www.vevor.com/support