

VEVOR[®]

TOUGH TOOLS, HALF PRICE

Technical Support and E-Warranty Certificate www.vevor.com/support

LINEAR ACTUATOR

MODEL: OK628

We continue to be committed to provide you tools with competitive price.

"Save Half", "Half Price" or any other similar expressions used by us only represents an estimate of savings you might benefit from buying certain tools with us compared to the major top brands and does not necessarily mean to cover all categories of tools offered by us. You

are kindly reminded to verify carefully when you are placing an order with us if you are actually saving half in comparison with the top major brands.

VEVOR[®]

TOUGH TOOLS, HALF PRICE

LINEAR ACTUATOR

MODEL: OK628







NEED HELP? CONTACT US!

Have product questions? Need technical support? Please feel free to contact us:

Technical Support and E-Warranty Certificate
www.vevor.com/support

This is the original instruction, please read all manual instructions carefully before operating. VEVOR reserves a clear interpretation of our user manual. The appearance of the product shall be subject to the product you received. Please forgive us that we won't inform you again if there are any technology or software updates on our product.

	<p>Warning-To reduce the risk of injury, user must read instructions manual carefully.</p>
	<p>CORRECT DISPOSAL</p> <p>This product is subject to the provision of european Directive 2012/19/EU. The symbol showing a wheeled bin crossed through indicates that the product requires separate refuse collection in the European Union. This applies to the product and all accessories marked with this symbol. Products marked as such may not be discarded with normal domestic waste, but must be taken to a collection point for recycling electrical and electronic devices.</p>
	<p>This product is of protection class III.</p>
	<p>Compliance is a EC & UK security certification.</p>

IMPORTANT SAFEGUARDS



Please read and understand this entire manual before attempting to assemble, operate or install the product. Failure to follow all instructions listed below may result in electric shock, fire and/or serious injury.

WARNING:

1. The load added onto the actuator must be less than or equal to the rated load of actuator.
2. Install actuator so the force of the load acts in the center of the extension tube and the rear mounting adapter.
3. Utiliza el adaptador de corriente de 12 V CC.
4. Todos los actuadores tienen ciclo de trabajo, no pueden trabajar todo el tiempo sin parar.
5. El actuador no es completamente impermeable, por favor, no sumerjas directamente en el agua.
6. Children shall not play with the appliance. Cleaning and user maintenance shall not be made by children without supervision.

SAVE THESE INSTRUCTIONS

FCC Information

CAUTION:

Changes or modifications not expressly approved by the party responsible for compliance could void the user's authority to operate the equipment!

This device complies with Part 15 of the FCC Rules. Operation is subject to the following two conditions:

- 1) This product may cause harmful interference.
- 2) This product must accept any interference received, including interference that may cause undesired operation.

WARNING:

Changes or modifications to this product not expressly approved by the party responsible for compliance could void the user's authority to operate the product.

Note:

This product has been tested and found to comply with the limits for a Class B digital device pursuant to Part 15 of the FCC Rules, These limits are designed to provide reasonable protection against harmful interference in a residential installation.

This product generates, uses and can radiate radio frequency energy, and if not installed and used in accordance with the instructions, may cause harmful interference to radio communications. However, there is no guarantee that interference will not occur in a particular installation. If this product does cause harmful interference to radio or television reception, which can be determined by turning the product off and on, the user is encouraged to try to correct the interference by one or more of the following measures.

- Reorient or relocate the receiving antenna.
- Increase the distance between the product and receiver.
- Connect the product to an outlet on a circuit different from that to which the receiver is connected.
- Consult the dealer or an experienced radio/TV technician for assistance.

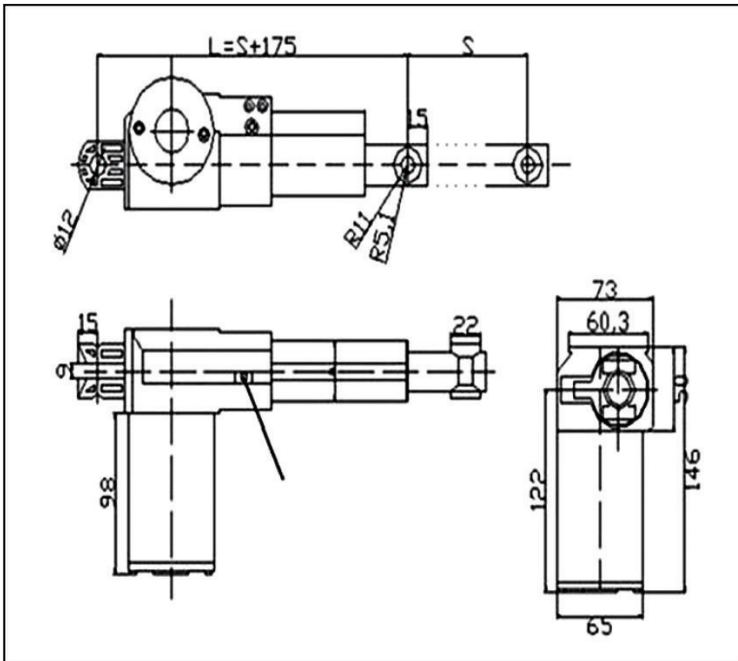
PRODUCT PARAMETERS

SPECIFICATIO NS	OK628					
Stroke Length	150mm	200mm	250mm	300mm	350mm	400mm
Rated Load	6000N					
Travel Speed (Max.)	5mm/s					
Rated Voltage	DC 12V					
Rated Current(Max.)	8A					
Limit Switches	Fixed Inner(not Adjustable)					
Operation Temperature	-5°C~~+50°C					
Protection Class	IP44					
Duty Cycle	10%					
Noise Level	≤50dB					

Accessories:

OK628: 2 x Mounting Bracket, 2 x Connecting Rod, 2 x R-type Pin

Drawing



Precautions for use

1. Prepare to connect the two wires of the actuator to a 12 volt battery.
2. Red wire to the positive terminal and Black wire to negative terminal will make the actuator extend. To make it retract, just reverse the terminal connections.
3. To simplify the last step, you can prepare a reverse polarity relay or switch (not included) for the actuator. When you want the actuator to extend and retract, just press the switch.
4. Your actuator will hold its position when the power is off. It will automatically stop when reaches the end.
5. The actuator has pre-installed inner limit switch, it cannot.
6. Mount the actuator by securing the top and bottom mounting holes to two fixed positions. The stroke length of the actuator(e.g.12 inches) and the limitations of the particular application will determine the location of the fixed mounting positions.

7. Confirm that the two-way movement of the linear actuator is smooth and within the actuator's stroke length after it has been installed. Additionally, confirm that no obstacles exist along the travel path of the actuator.
8. Secure the top and bottom mounting holes of the linear actuator onto the two mounting fixtures using diameter bolts.
9. The operation of the linear actuator should be tested manually after the installation is completed.

Users should use caution to ensure that:

1. The travel distance of the actuator satisfies the requirement of the structural design.
2. The extended and retracted limit switches operate normally. The limit switches should stop the motor when the extension tube is fully retracted or fully extended).
3. If the motor runs too slow or does not give full force: (1) the power supply is insufficient and needs to be increased or. (2) the load being applied to the actuator is too great and needs to be reduced .

Address: Baoshanqu Shuangchenglu 803 long 11hao 1602A-1609 shi Shanghai

Imported to USA: Sanven Technology Ltd. Suite 250, 9166 Anaheim Place, Rancho Cucamonga, CA 91730

Imported to AUS: SIHAO PTY LTD. 1 ROKEVA STREET EASTWOOD NSW 2122 Australia



Pooledas Group Ltd
 Unit 5 Albert Edward House, The Pavilions
 Preston, United Kingdom



SHUNSHUN GmbH
 Römeräcker 9 Z2021, 76351
 Linkenheim-Hochstetten, Germany

Made In China

VEVOR[®]
TOUGH TOOLS, HALF PRICE

Technical Support and E-Warranty Certificate
www.vevor.com/support