

VEVOR[®]

TOUGH TOOLS, HALF PRICE

Technical Support and E-Warranty Certificate www.vevor.com/support

BAKERY DISPLAY CASE

USER MANUAL

We continue to be committed to provide you tools with competitive price.

"Save Half", "Half Price" or any other similar expressions used by us only represents an estimate of savings you might benefit from buying certain tools with us compared to the major top brands and does not necessarily mean to cover all categories of tools offered by us. You are kindly reminded to verify carefully when you are placing an order with us if you are actually saving half in comparison with the top major brands.

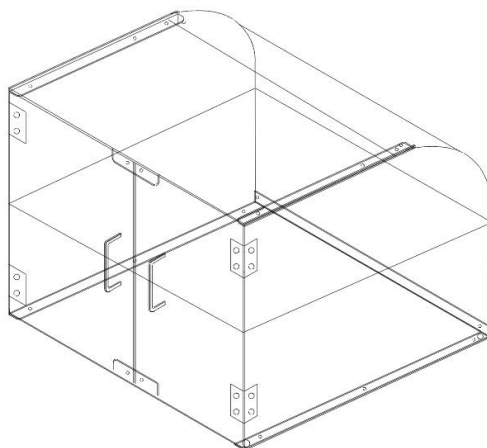
VEVOR[®]

TOUGH TOOLS, HALF PRICE

BAKERY DISPLAY CASE

Thanks for purchasing one of our products.

Please read the assembly instructions carefully before the installation.



Model: CX-03

NEED HELP? CONTACT US!

Have product questions? Need technical support? Please feel free to contact us:

 CustomerService@vevor.com

This is the original instruction, please read all manual instructions carefully before operating. VEVOR reserves a clear interpretation of our user manual. The appearance of the product shall be subject to the product you received. Please forgive us that we won't inform you again if there are any technology or software updates on our product.

ASSEMBLY PRECAUTIONS

1. Assemble needs to follow these instructions. Incorrect assembly can be a hazard.
2. Wear safety goggles and heavy-duty work gloves during assembly.
3. Do not assemble when tired or under the influence of alcohol, drugs or medication.
4. Weight capacity and other product capabilities only apply to a properly and completely assembled product.
5. Keep the assembly area clean and well-lit.
6. Keep bystanders out of the area during assembly.

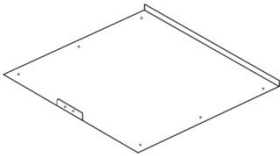
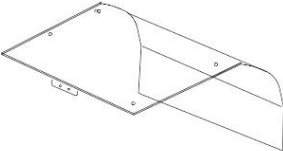

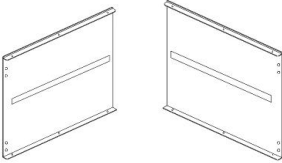
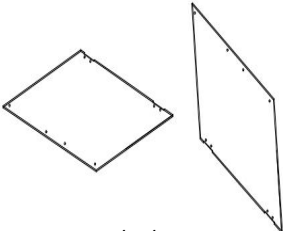


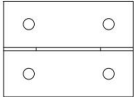




USE PRECAUTIONS



WARNING: TO PREVENT SERIOUS INJURY AND DEATH FROM TIPPING:

1. This product is not a toy. Do not allow children to play with or approach this item.
2. Use as intended only. Do not sit or stand on the product.
3. Inspect before every use. Do not use it if parts are loose or damaged.
4. Use on flat, level, and hard surfaces only.
5. Do not exceed the listed weight capacity. Tighten all knobs securely before applying load. Be aware of dynamic loading! The sudden load movement may briefly create an excess load, causing product failure.

PARTS LIST

| | | |
|--|---|--|
|  <p>1pcs</p> |  <p>1pcs</p> |  <p>1pcs</p> |
|  <p>1+1pcs</p> |  <p>1+1pcs</p> |  <p>2pcs</p> |
|  <p>1pcs</p> |  <p>4pcs</p> |  <p>M4×15 16set</p> |
|  <p>M4×10 16set</p> |  <p>M4×10 4pcs</p> |  <p>4pcs</p> |

NOTE: Part not shown to actual size.

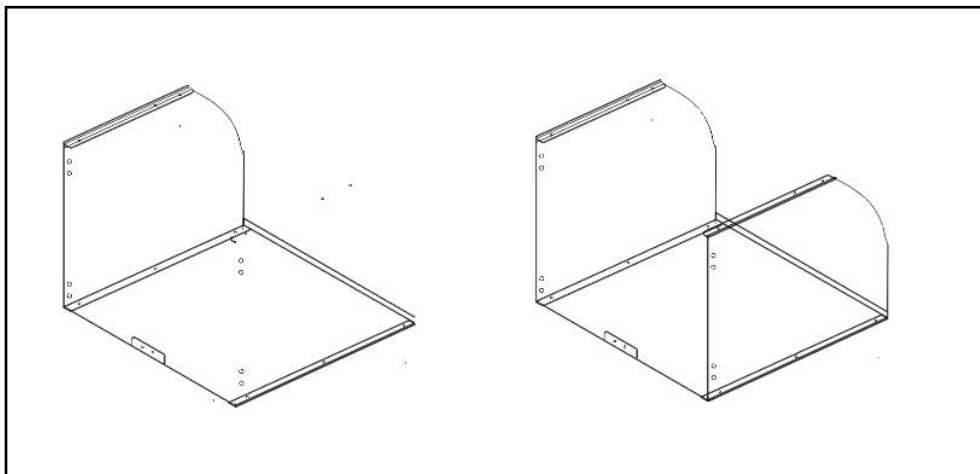
| QTY | DESCRIPTION |
|-----|-----------------------|
| 1 | Base Plate |
| 1 | Left Side Seal Plate |
| 1 | Right Side Seal Plate |
| 1 | Top Plate |
| 1 | Right side door |
| 1 | Left side door |
| 2 | Door handle |
| 4 | Hinge |
| 1 | Middle layer plate |
| 16 | Bolt Assembly M4*15 |
| 16 | Bolt Assembly M4*10 |
| 4 | Screw M4*10 |
| 1 | Inner Hexagon Spanner |
| 4 | Silicone bottom foot |

Please identify each part and check to ensure that all are accounted for.

ASSEMBLY STEPS

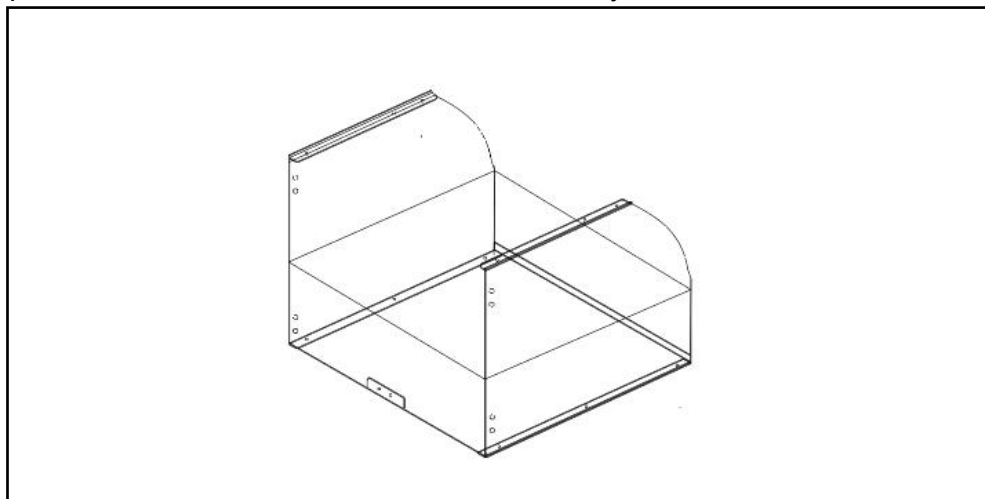
STEP 1

Install the left and right bracket panels on the bottom plate, pay attention to distinguish the left and right panels. The screw assembly used is M4×15.



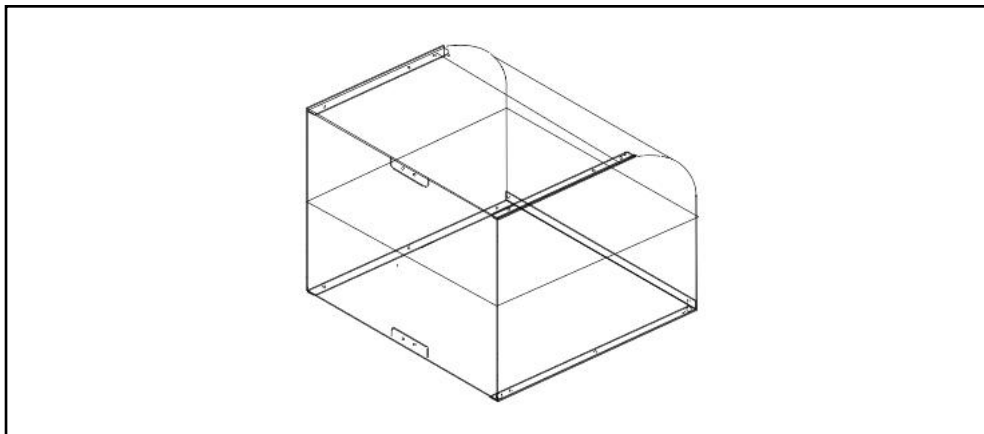
STEP 2

Install the middle layer plate on the frame where the left and right support plates have been installed. The screw assembly used is M4×15.



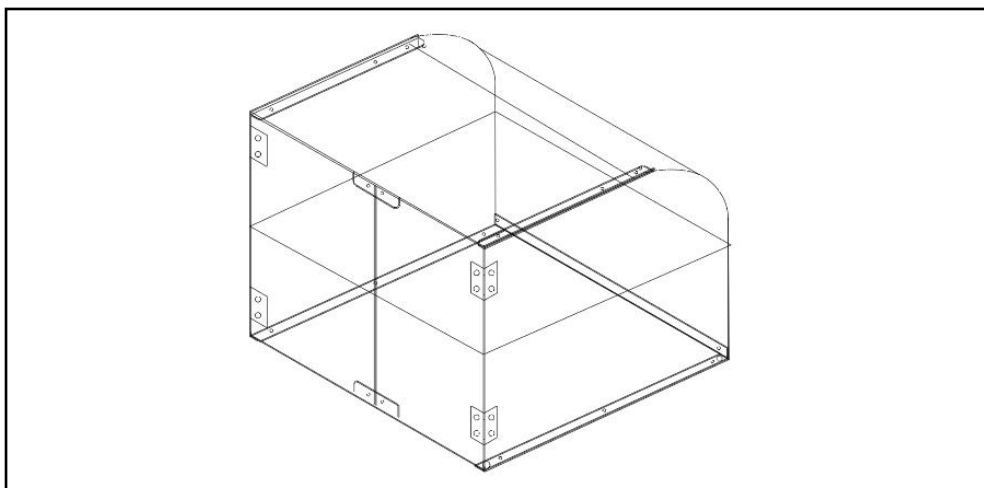
STEP 3

Install the top on and above the frame. The screw assembly used is M4×15.



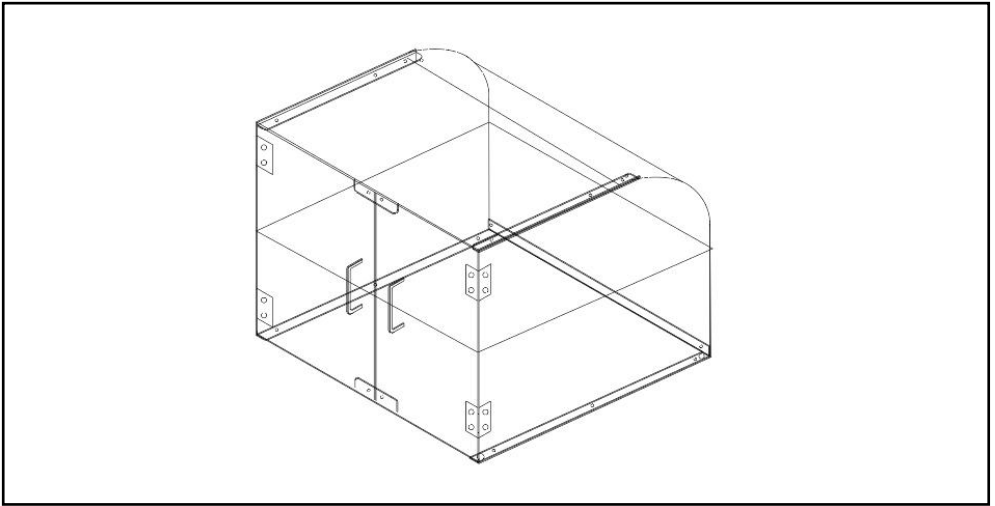
STEP 4

Install the left and right sealing door panels on the frame, and pay attention to distinguish between the left and right door panels. The screw assembly used is M4×10.



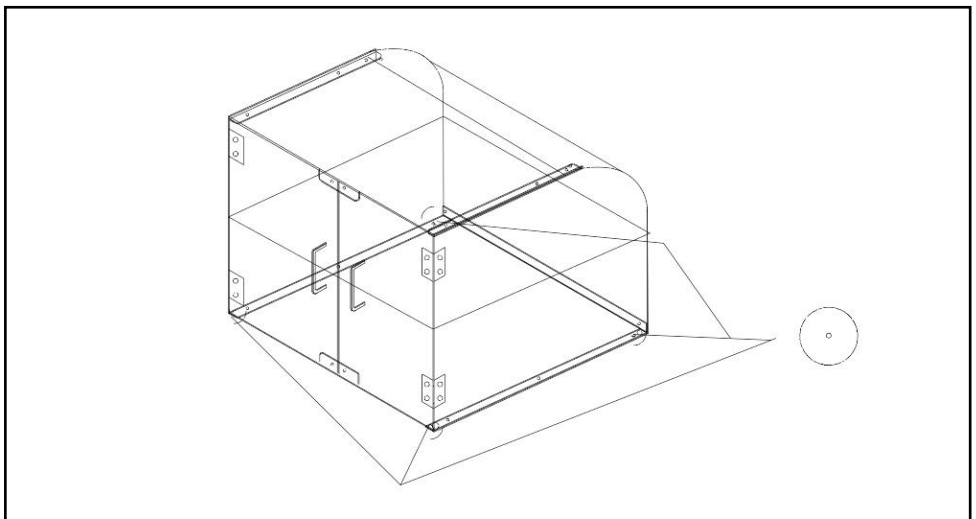
STEP 5

Install the door handle on the left and right sealing plates. The screw used is M4×10.



STEP 6

Install the silicone base foot at the 4 corners of the bottom.
Install the tray.



Cleaning

-For cleaning, wipe the surface with a damp (not wet) cloth or wipe dry with a clean lint free cotton cloth.

VEVOR[®]

TOUGH TOOLS, HALF PRICE

Support and E-Warranty Certificate www.vevor.com/support