

# **VEVOR<sup>®</sup>**

**TOUGH TOOLS, HALF PRICE**

Technical Support and E-Warranty Certificate [www.vevor.com/support](http://www.vevor.com/support)

## **PET GROOMING TABLE**

**MODEL:GT-205H**

We continue to be committed to provide you tools with competitive price.

"Save Half", "Half Price" or any other similar expressions used by us only represents an estimate of savings you might benefit from buying certain tools with us compared to the major top brands and does not necessarily mean to cover all categories of tools offered by us. You are kindly reminded to verify carefully when you are placing an order with us if you are actually saving half in comparison with the top major brands.

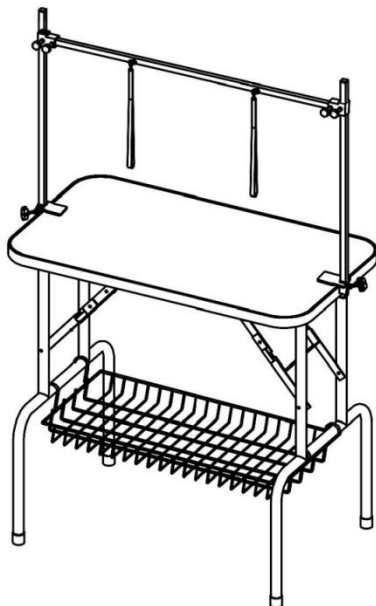


# VEVOR<sup>®</sup>

TOUGH TOOLS, HALF PRICE

## PET GROOMING TABLE

MODEL:GT-205H



### NEED HELP? CONTACT US!

Have product questions? Need technical support? Please feel free to contact us:

**Technical Support and E-Warranty Certificate**  
**[www.vevor.com/support](http://www.vevor.com/support)**

This is the original instruction, please read all manual instructions carefully before operating. VEVOR reserves a clear interpretation of our user manual. The appearance of the product shall be subject to the product you received. Please forgive us that we won't inform you again if there are any technology or software updates on our product.



Warning-To reduce the risk of injury, user must read instructions manual carefully.

**WARNING:**

Read this material before using this product. Failure to do so can result in serious injury.

Assembly precautions

- 1.Assemble only according to these instructions. Improper assembly can create hazards.
2. Wear duty work gloves during assembly.
- 3.Keep assembly area clean and well lit.
- 4.Keep bystanders out of the area during assembly.
- 5.Do not assemble when tired or when under the influence of alcohol, drugs or medication.
- 6.Product capabilities apply to properly and completely assembled product only.
- 7.Assemble on a flat, level, hard and smooth surface capable of safely supporting a fully loaded feeder.
8. For additional information regarding the parts listed in the following pages, please refer to the Assembly Diagram of this manual. Unwrap and separate all parts in a clean work area.

Use precautions

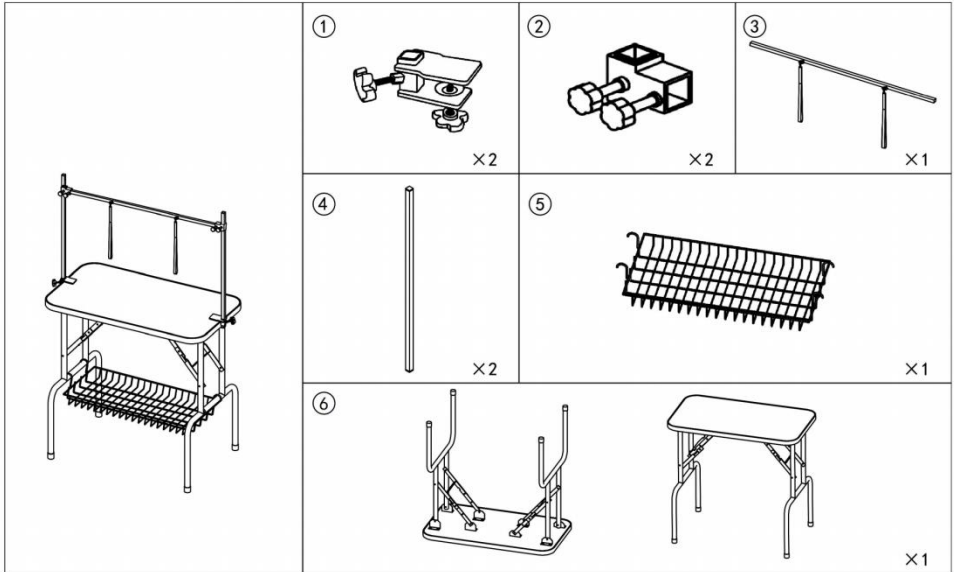
**TO PREVENT SERIOUS INJURY AND DEATH FROM TIPPING:**

1. DO NOT SIT, STAND OR CLIMB ON THIS ITEM.
2. This product is not a toy nor a toy chest. Do not allow children to play with this item. Use as intended only and Need to supervise the children to understand step & open rules of feeder finally .
3. Empty, close, and lock feeder before moving.
4. Use only on a flat, level, hard and smooth surface capable of safely supporting a fully loaded feeder.

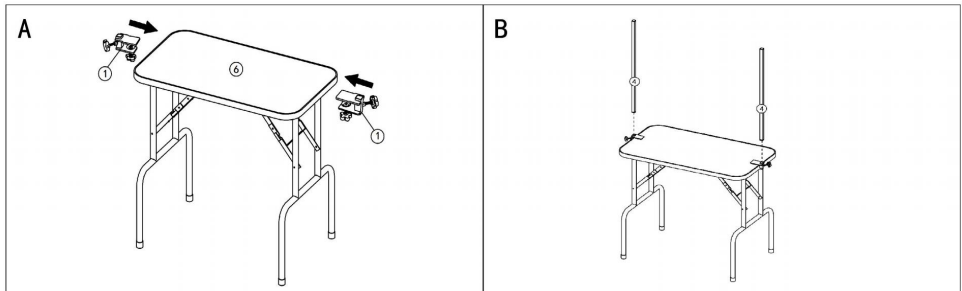
**SAVE THESE INSTRUCTIONS**

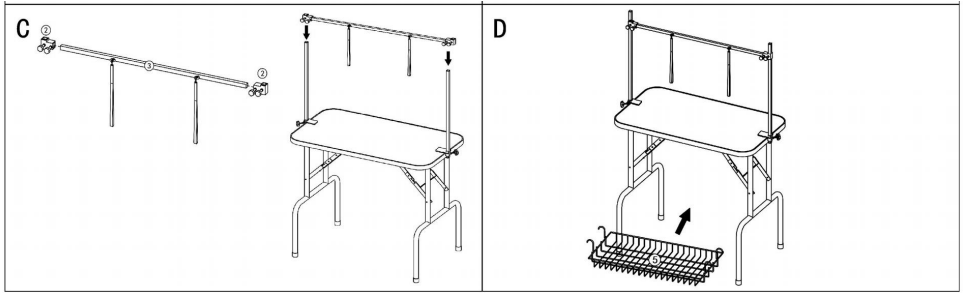
<b>Model</b>	<b>GT-205H</b>
<b>Table Size(inch/mm)</b>	36*24 / 914.4*609.6
<b>Table Height(inch/mm)</b>	31.5 / 800
<b>Max. Load (lbs / kg)</b>	330 / 149.7

### Product Introduction



### Product Installation





**Manufacturer:** Shanghaimuxinmuyeyouxiangongsi

**Address:** Shuangchenglu 803nong11hao1602A-1609shi, baoshanqu, shanghai 200000 CN.

**Imported to AUS:** SIHAO PTY LTD. 1 ROKEVA STREET EASTWOOD NSW 2122 Australia

**Imported to USA:** Sanven Technology Ltd. Suite 250, 9166 Anaheim Place, Rancho Cucamonga, CA 91730



E-CrossStu GmbH  
Mainzer Landstr.69, 60329 Frankfurt am Main.



YH CONSULTING LIMITED.  
C/O YH Consulting Limited Office 147, Centurion House, London Road, Staines-upon-Thames, Surrey, TW18 4AX



**VEVOR<sup>®</sup>**

**TOUGH TOOLS, HALF PRICE**

**Technical Support and E-Warranty Certificate**

**[www.vevor.com/support](http://www.vevor.com/support)**