

VEVOR[®]

TOUGH TOOLS, HALF PRICE

TechnicalSupport and E-Warranty Certificate www.vevor.com/support

BABY BOUNCER

Model: BR10A-1 / BR10A-2

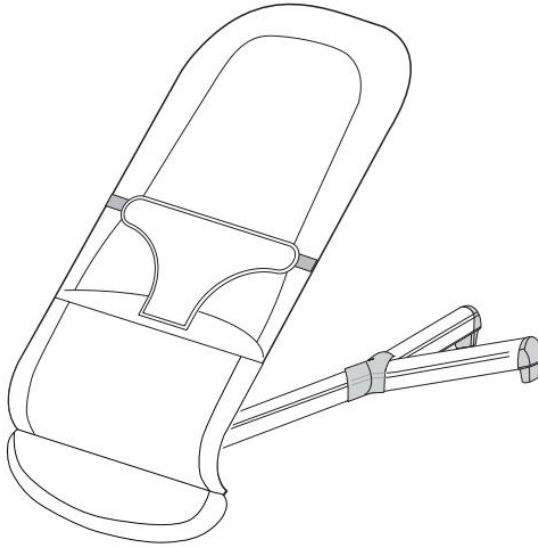
We continue to be committed to provide you tools with competitive price. "Save Half", "Half Price" or any other similar expressions used by us only represents an estimate of savings you might benefit from buying certain tools with us compared to the major top brands and does not necessarily mean to cover all categories of tools offered by us. You are kindly reminded to verify carefully when you are placing an order with us if you are actually saving half in comparison with the top major brands.

VEVOR[®]

TOUGH TOOLS, HALF PRICE

BABY BOUNCER

Model: BR10A-1 / BR10A-2





NEED HELP? CONTACT US!

Have product questions? Need technical support? Please feel free to contact us:

Technical Support and E-Warranty Certificate
www.vevor.com/support

This is the original instruction, please read all manual instructions carefully before operating. VEVOR reserves a clear interpretation of our user manual. The appearance of the product shall be subject to the product you received. Please forgive us that we won't inform you again if there are any technology or software updates on our product.

SAFETY WARNINGS AND PRECAUTIONS

	Warning-To reduce the risk of injury, user must read instructions manual carefully.
	Compliance is a EC security certification.

Thank you for using this product. Please read all of the instructions before using it. The information will help you achieve the best possible results.

WARNING:

Please read this manual carefully before using the product. Failure to do so may result in serious injury.

WARNING:

NEVER leave the child unattended

STOP using the product when the child starts trying to sit up

STOP using the product when the child starts to stand up.

NEVER use this product on an elevated surface (e.g. a table)

ALWAYS use the restraint system.

NEVER use the toy bar to carry the product. Do not move or lift this product when the baby is inside it. Do not leave flexible carrying handles inside the product.

NEVER let the child sleep in this product. This product does not replace a cot or a crib. Should the child fall asleep, then it should be placed in a suitable cot or crib.

Do not use the bouncer if any part is broken or missing.

Do not use accessories or replacement parts other than those approved by the manufacturer.

Product Comply to

Safety

Never place the bouncer on a soft surface (bed, sofa, cushion), as seat may tip over and be dangerous for baby.

Do not use near an open fire or any other kind of heaters.

Keep the plastic bags of the packaging out of reach of babies and young children to avoid any risk of suffocation.

Never add any pillow, blanket or padding to the bouncer.

Do not put objects with strings around the neck of your baby, do not hang strings from the bouncer and do not attach strings to toys.

This could lead to strangling. Do not put the bouncer close to a window where the strings of blinds or curtains could lead to strangling.

Do not allow your baby to play with the bouncer folded up.

Do not attach other toys than those supplied.

WARNING:

Not intended for infant sleep and should never be used for this purpose

FALL HAZARD: Babies have suffered skull fractures falling while in and from bouncers.

Use bouncer ONLY on floor.

ALWAYS use restraints. Adjust to fit snugly.

NEVER lift or carry baby in bouncer.

TO PREVENT FALLS AND SUFFOCATION:

ALWAYS use restraints. Adjust to fit snugly.

STOP using bouncer when baby starts trying to sit up or has reached 20 lb (9 kg), whichever comes first.

Toy bar is NOT designed to be used to as a carry handle.

NEVER use on any elevated surface.

NEVER leave baby unattended.

NEVER Allow your bouncer to be used as a toy

NEVER move bouncer with the child inside.

NEVER substitute parts.

Bouncer is NOT intended for use as a carrier

Check your bouncer for loose screws, worn parts, torn material or stitching on a regular basis. Replace or repair parts as needed.

Discontinue use of the bouncer should it malfunction or become damaged.

IMPORTANT: Adult assembly required. Care should be taken in unpacking and assembly. Examine product frequently for damage, missing or loose parts. **DO NOT** use if any parts are missing, damaged or broken.

Product Comply to ASTM F2167 -22

Suffocation HAZARD:

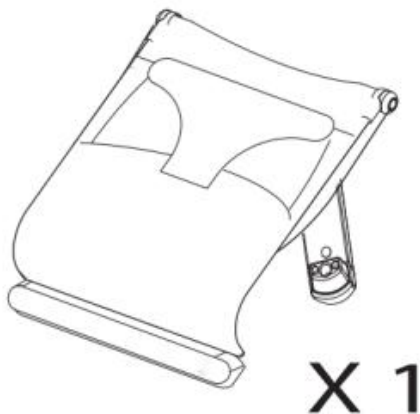
Babies have suffocated when bouncers tipped over on soft surfaces and or when bouncers have been used as a sleep product.

NEVER use on a bed, sofa, cushion, or other soft surface.

Stay near and watch baby during use. This product is not safe for sleep or unsupervised use. If baby falls asleep, remove baby as soon as possible and place baby on a firm, flat sleep surface such as a crib or bassinet.

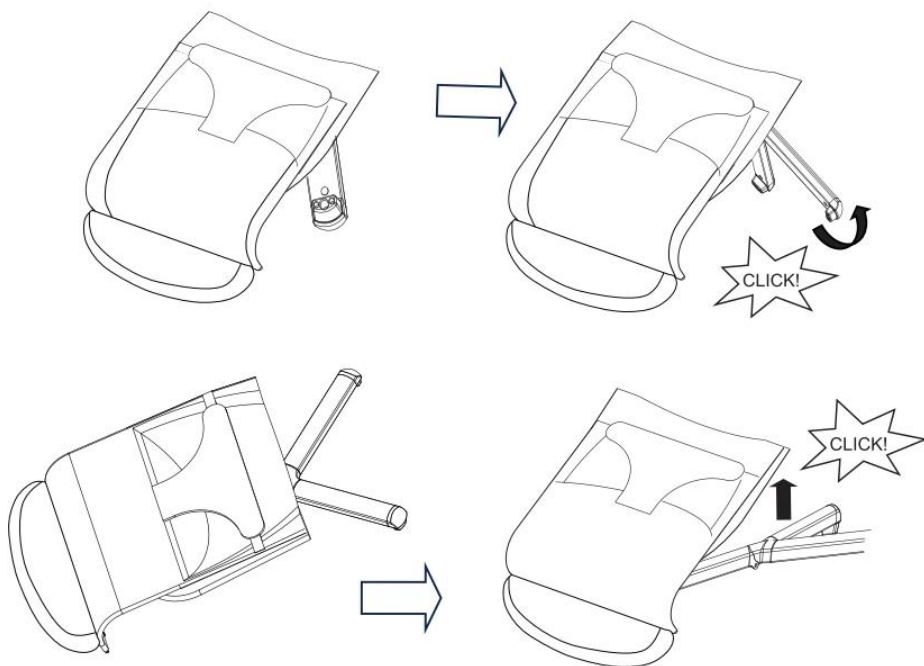
SAVE THESE INSTRUCTIONS

Parts List

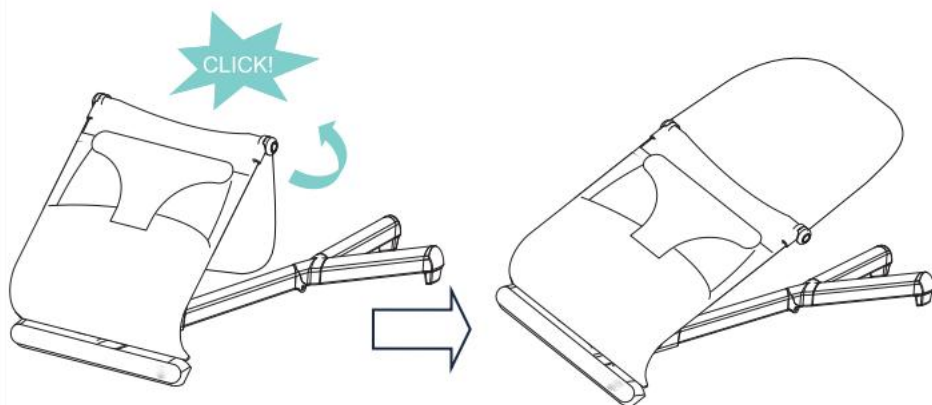


Assembly

1. Unfold the stand by lifting it up until hearing a "click" sound



2. Unfold the seat until hearing a "click" sound

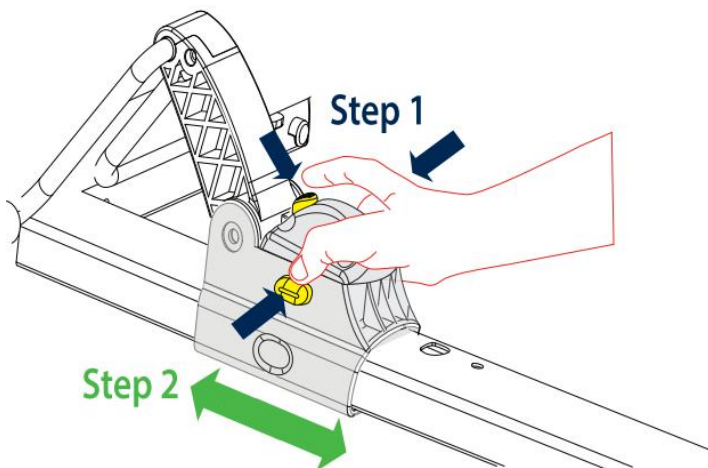


WARNING!
THIS BACKREST IS NOT ADJUSTABLE !
THIS BUTTON CAN ONLY BE USED TO FOLD THE PRODUCT
FOR STORAGE PURPOSE !

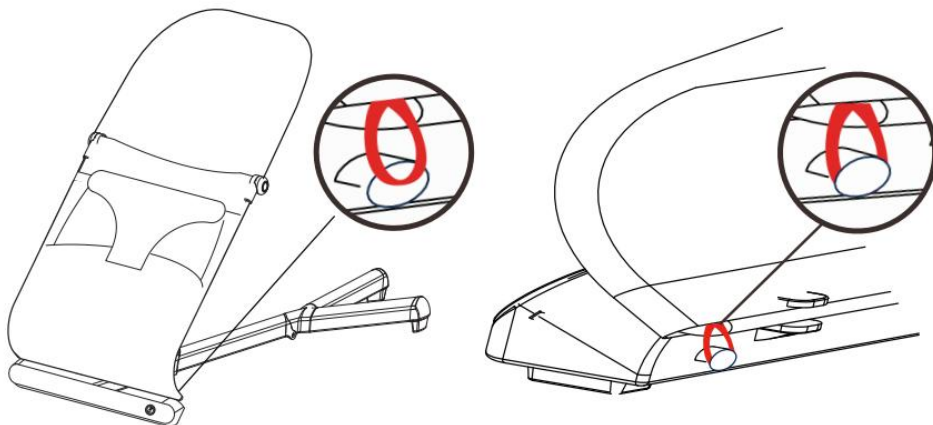
3. Adjust the seat height. Two height position

Step 1 : Press & hold the Middle & Side buttons;

Step 2 : Slide along the stand to the designed position

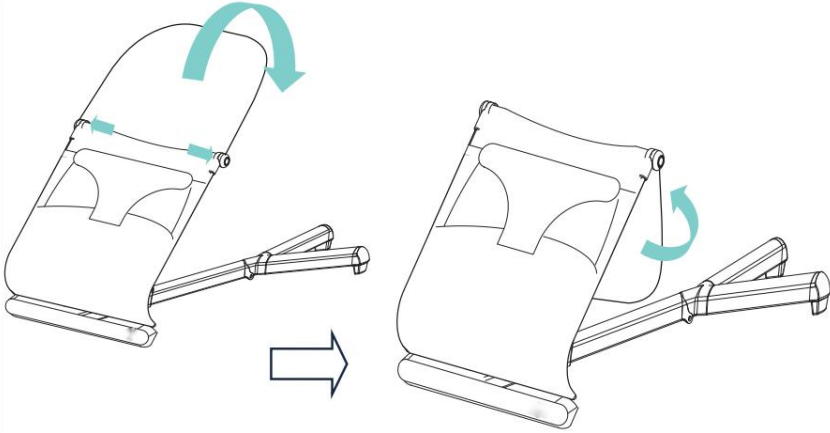


4. Fasten the fabric seat again with the two elastic loops at the bottom



Storage

1. Press the side buttons at the same time to fold the backrest inward

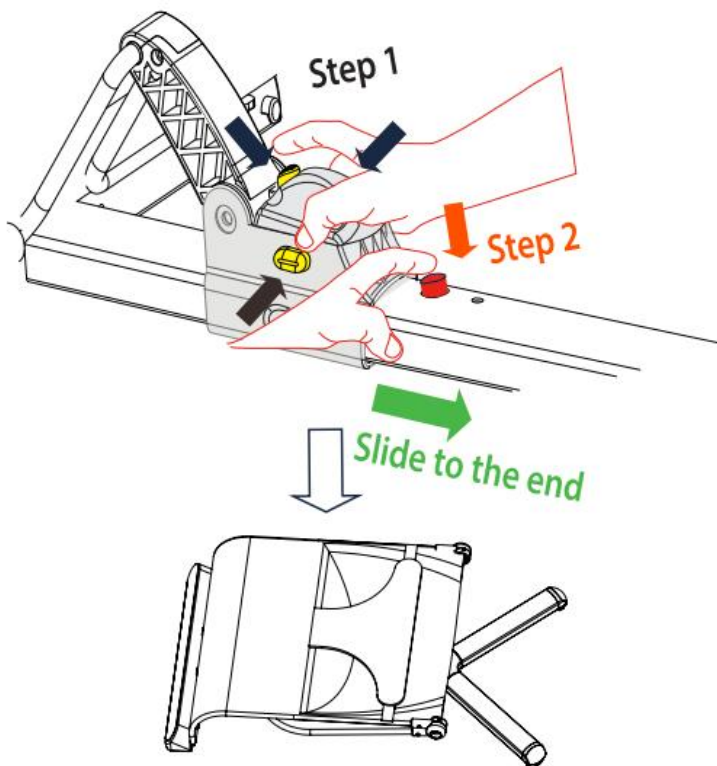


2. Fold down the seat

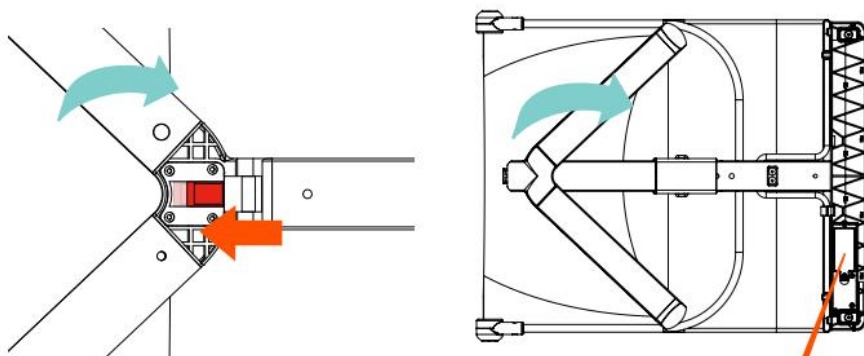
Step 1 : Press & hold the Middle button & Side buttons;

Step 2 : Press down the Stopper (Red Button) & further slide the lock toward the Y-shape leg

Step 3 : Slide back the lock the end



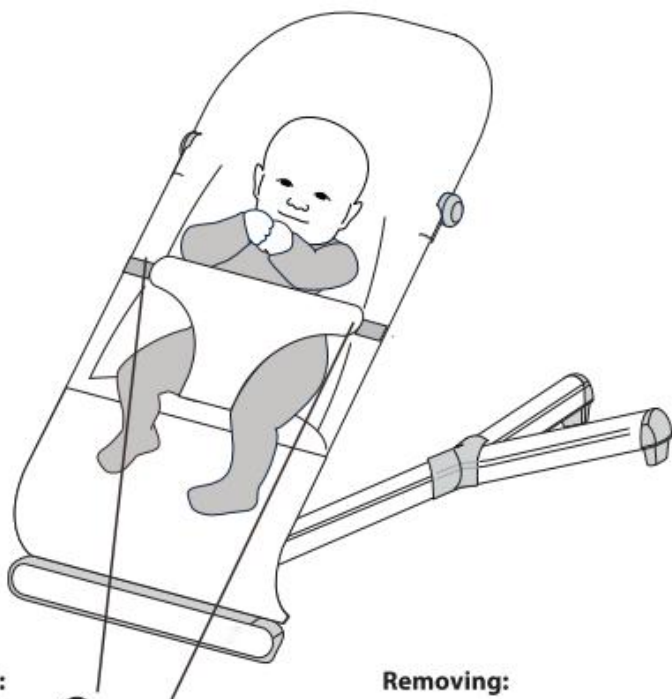
3. Slide the button UNDER the stand to fold up the Y-shape leg



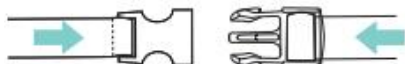
Harness

Place baby in the bouncer with the crotch strap positioned between their legs. Fasten the buckles on both sides of the restraint. A "click" will signal buckle is secure.

Adjust the sliders on both straps to achieve a snug, comfortable fit. To release, press the clips on the buckles and remove the harness strap. **WARNING! ALWAYS** use the restraint system.

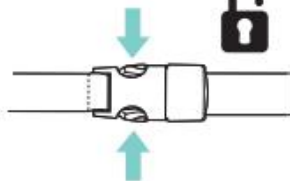


Attaching:



CLICK!

Removing:



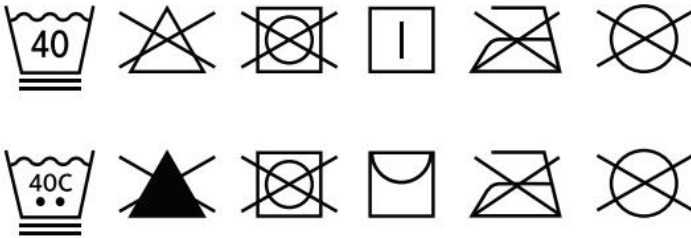
Care and Maintenance

Wipe the rubber strips underneath the bouncer with a damp cloth from time to time, in order to guarantee that it is fixed as firmly as possible to the floor

To Wash the Fabric

To wash the fabric seat, loosen the two elastic loops at the bottom and pull it off from the frame. Wash separately, warm/40°C.

Do not tumble-dry.



Do not use accessories or replacement parts other than those approved by the manufacturer.

All assembly fittings are to be tightened properly.

Inspect regularly and re-tighten as necessary.

The fabric cover is removable for easier cleaning.

Do not wash the fabric cover. Spot clean only using soft sponge with diluted detergent or water. Do not rub. Dry in shade.

Do not iron.

Do not dry clean.

Clean metal or plastic components with mild detergent and warm water.

Never use abrasive, ammonia based, bleach based or spirit type cleaners

Ensure the product is fully dry before use or storage.

Store product in a dry location away from any heat sources, and not in the sun.

VEVOR[®]

TOUGH TOOLS, HALF PRICE

Technical Support and E-Warranty Certificate
www.vevor.com/support