

VEVOR[®]

TOUGH TOOLS, HALF PRICE

Technical Support and E-Warranty Certificate www.vevor.com/support

MONITOR DESK MOUNT USER MANUAL

MODEL:ZD200

We continue to be committed to provide you tools with competitive price.

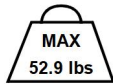
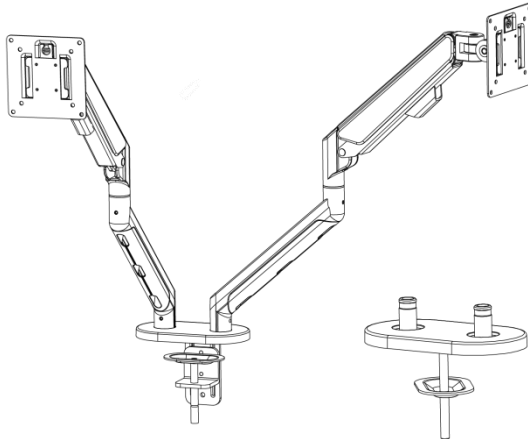
"Save Half", "Half Price" or any other similar expressions used by us only represents an estimate of savings you might benefit from buying certain tools with us compared to the major top brands and does not necessarily mean to cover all categories of tools offered by us. You are kindly reminded to verify carefully when you are placing an order with us if you are actually saving half in comparison with the top major brands.

VEVOR[®]

TOUGH TOOLS, HALF PRICE

MONITOR DESK MOUNT

MODEL:ZD200



NEED HELP? CONTACT US!

Have product questions? Need technical support? Please feel free to contact us: **Technical Support and E-Warranty Certificate**
www.vevor.com/support

This is the original instruction, please read all manual instructions carefully before operating. VEVOR reserves a clear interpretation of our user manual. The appearance of the product shall be subject to the product you received. Please forgive us that we won't inform you again if there are any technology or software updates on our product.

SAFETY INSTRUCTIONS

WARNING:

Read this material before using this product. Failure to do so can result in serious injury.

Assembly precautions

1. Assemble only according to these instructions. Improper assembly can create hazards.
2. Keep the assembly area clean and well-lit.
3. Keep bystanders out of the area during assembly.
4. Do not assemble when tired or when under the influence of alcohol, drugs or medication.
5. The product capabilities apply to properly and completely assembled products only.
6. For additional information regarding the parts listed in the following pages, please refer to the Assembly Diagram of this manual. Unwrap and separate all parts in a clean work area.

Use precautions




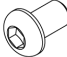



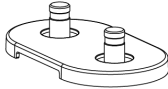
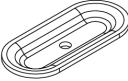



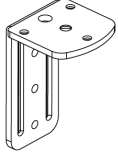
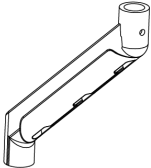
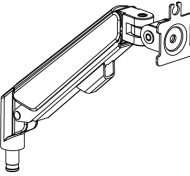
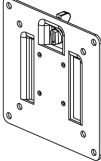

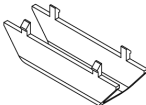
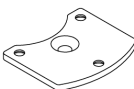

1. Use with products heavier than the rated weights indicated may result in instability causing possible injury.
2. Mounts must be attached as specified in assembly instructions. Improper installation may result in damage or serious personal injury.
3. Make sure that the supporting surface will safely support the combined weight of the equipment and all attached hardware and components.
4. Use the mounting screws provided and **DO NOT OVER TIGHTEN** mounting screws.
5. This product contains small items that could be a choking hazard if swallowed. Keep these items away from children.
6. This product is intended for indoor use only. Using this product outdoors could lead to product failure and personal injury.

SAVE THIS MANUAL

PRODUCT PARAMETER

Model	ZD200
Safe Loading Weight	Total:52.9 lbs Max; Single:26.4 lbs Max
VESA	75*75mm, 100*100mm
Product Size	1020*110*500mm

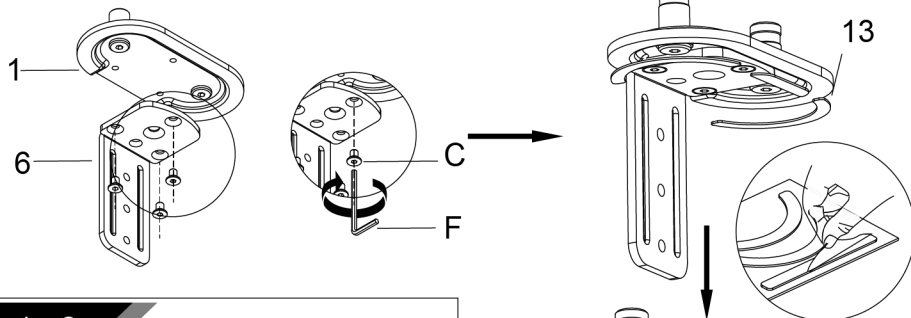
PARTS LIST

 M4×10 (×8) A	 M5×10 (×8) B	 M6×9 (×3) C	 M6×10 (×2) D	 3MM (×1) E	 4MM (×1) F	 5MM (×1) G
 1 (×1)	 2 (×1)	 3 (×1)	 4 (×2)	 5 (×1)		
 6 (×1)	 7 (×2)	 8 (×2)	 9 (×2)	 10 (×1)		
 11 (×2)	 12 (×1)	 13 (×1)				

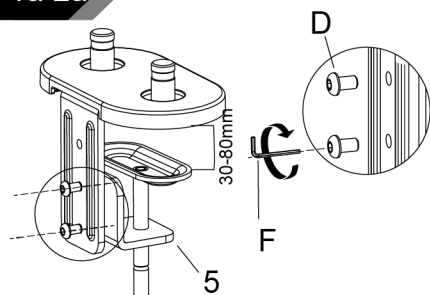
ASSEMBLY STEP

Method 1 -----1a

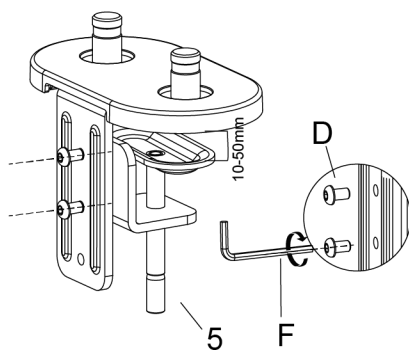
1a-1



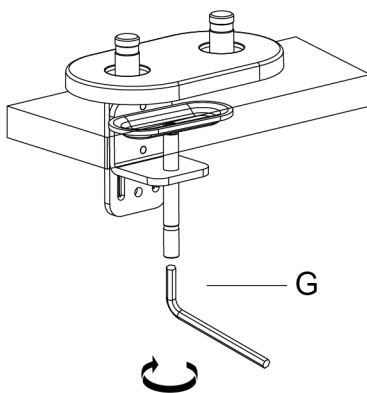
1a-2a



1a-2b



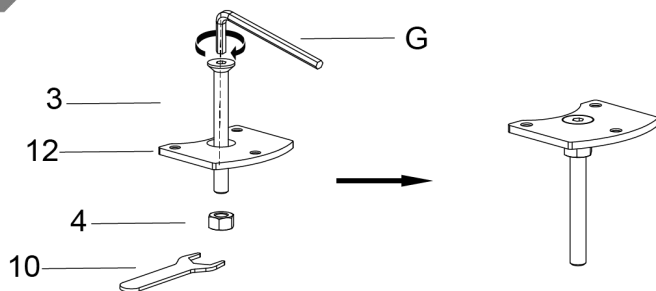
1a-3



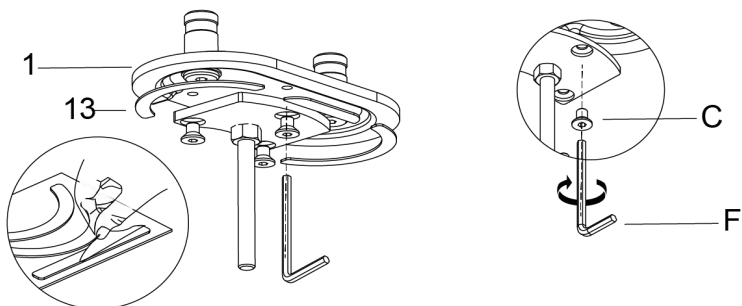
Method 2-----1b

(Desktop has a hole for item 2 to go through)

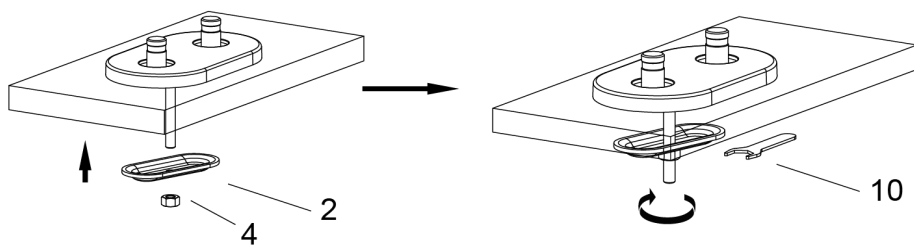
1b-1



1b-2



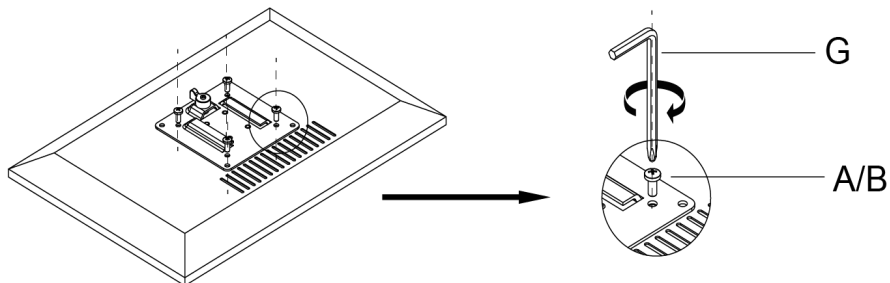
2



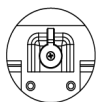
3

Connect With monitor

Use a wrench (G) to screw the screws (A/B) into the four holes at the back of the monitor to avoid damaging the monitor by over tightening the screws.



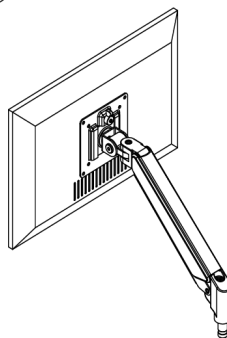
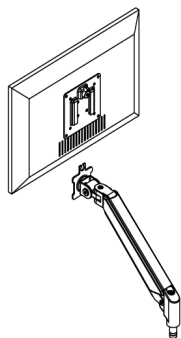
4



When the display is inserted into the quick release head, make sure the knob is vertical.



After insertion, rotate the knob 90 degrees to the left.

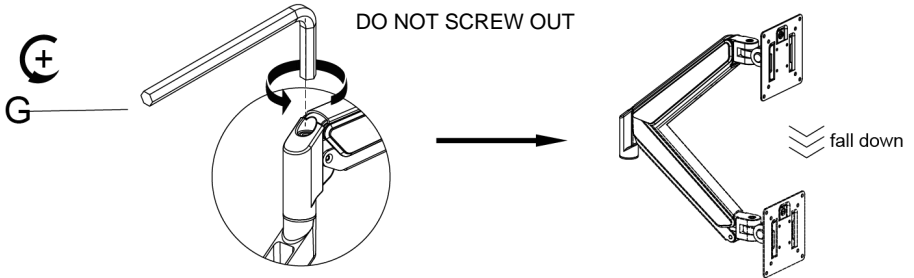


5-1

Case 1: Monitor/Arm fall down (after install your monitor)

Press the arm to make it keep in horizontal position and then use the Allen Key to adjust the screw on the arm. Turn counter-clockwise(“+” direction) to increase gas spring tension till can hold the weight of your monitor.

Note: You may need to turn the screw by many circles to tighten the arm.

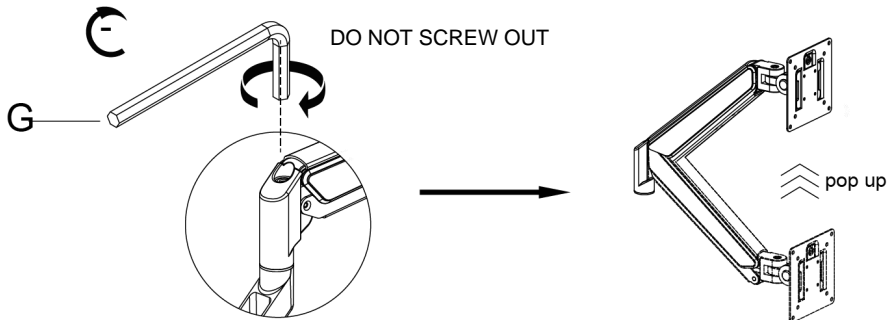


5-2

Case 2: Monitor/Arm pops up (after install your monitor)

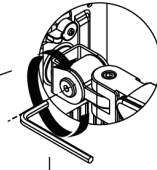
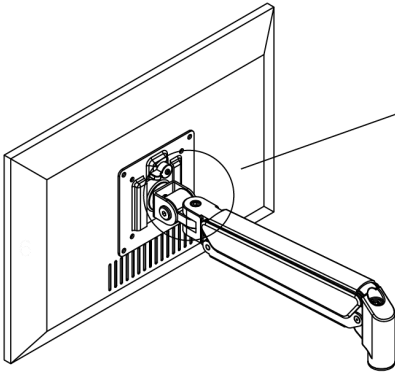
Press the arm to make it keep in horizontal position and then use the Allen Key to adjust the screw on the arm. Turn clockwise(“-” direction) to reduce gas spring tension till can stay the position needed.

Note: You may need to turn the screw by many circles to tighten the arm.



6

Adjust Flexibility



G



Turn clockwise to tighten

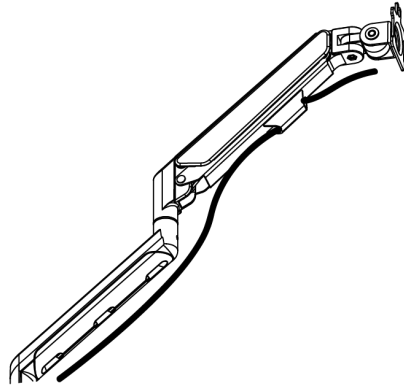
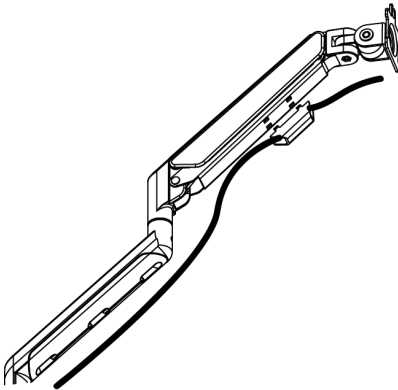


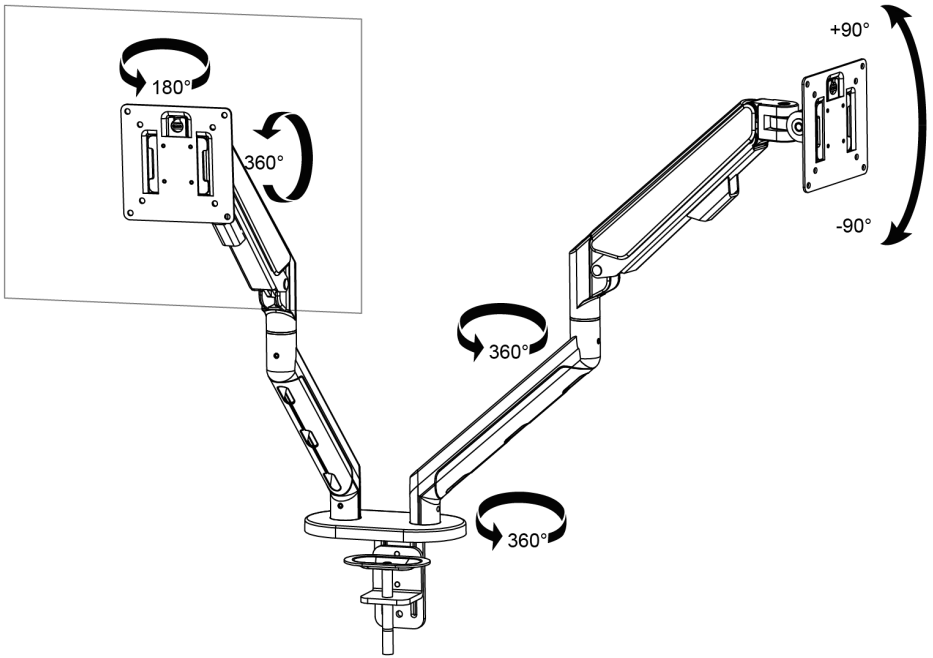
Turn counterclockwise to loose

If you feel the pitching angle too tight or too loose when adjusting the mount, please adjust the Screw

7

Cable Management





Manufacturer: Shanghaimuxinmuyeyouxiangongsi

Address: Shuangchenglu 803nong11hao1602A-1609shi, baoshanqu, shanghai 200000 CN.

Imported to AUS: SIHAO PTY LTD. 1 ROKEVA STREETEASTWOOD NSW 2122 Australia

Imported to USA: Sanven Technology Ltd. Suite 250, 9166 Anaheim Place, Rancho Cucamonga, CA 91730



E-CrossStu GmbH
Mainzer Landstr.69, 60329
Frankfurt am Main.



YH CONSULTING LIMITED.
C/O YH Consulting Limited Office 147, Centurion
House, London Road, Staines-upon-Thames, Surrey,
TW18 4AX

VEVOR[®]

TOUGH TOOLS, HALF PRICE

Technical Support and E-Warranty Certificate

www.vevor.com/support