

# **VEVOR<sup>®</sup>**

**TOUGH TOOLS, HALF PRICE**

Technical Support and E-Warranty Certificate [www.vevor.com/support](http://www.vevor.com/support)

## **WORKBENCH USER MANUAL**

**GZT61\*30.5\*85**

**GZT61\*45\*85**

**GZT76\*45\*85**

**GZT76\*30.5JL**

**GZT91\*76JL**

**GZT76X60L**

**GZT90X60L**

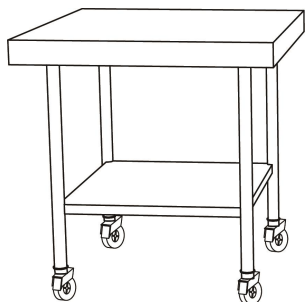
We continue to be committed to provide you tools with competitive price.

"Save Half", "Half Price" or any other similar expressions used by us only represents an estimate of savings you might benefit from buying certain tools with us compared to the major top brands and does not necessarily mean to cover all categories of tools offered by us. You are kindly reminded to verify carefully when you are placing an order with us if you are actually saving half in comparison with the top major brands.

# VEVOR®

TOUGH TOOLS, HALF PRICE

## WORKBENCH



**GZT61\*30.5\*85**

**GZT61\*45\*85**

**GZT76\*45\*85**

**GZT76\*30.5JL**

**GZT91\*76JL**



**GZT76X60L**

**GZT90X60L**

### NEED HELP? CONTACT US!

Have product questions? Need technical support? Please feel free to contact us:

**Technical Support and E-Warranty Certificate**

**[www.vevor.com/support](http://www.vevor.com/support)**

This is the original instruction, please read all manual instructions carefully before operating. VEVOR reserves a clear interpretation of our user manual. The appearance of the product shall be subject to the product you received. Please forgive us that we won't inform you again if there are any technology or software updates on our product.

## **SAFETY INSTRUCTIONS**

### **WARNING:**

**Read this material before using this product. Failure to do so can result in serious injury.**

### **Assembly precautions**

1. Assemble only according to these instructions. Improper assembly can create hazards.
2. Keep the assembly area clean and well-lit.
3. Keep bystanders out of the area during assembly.
4. Do not assemble when tired or when under the influence of alcohol, drugs or medication.
5. The product capabilities apply to properly and completely assembled products only.
6. For additional information regarding the parts listed in the following pages, please refer to the Assembly Diagram of this manual. Unwrap and separate all parts in a clean work area.

### **Use precautions**

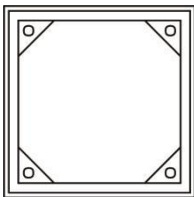
1. Use with products heavier than the rated weights indicated may result in instability causing possible injury.
2. Mounts must be attached as specified in assembly instructions. Improper installation may result in damage or serious personal injury.
3. Make sure that the supporting surface will safely support the combined weight of the equipment and all attached hardware and components.
4. Use the mounting screws provided and **DO NOT OVER TIGHTEN** mounting screws.
5. This product contains small items that could be a choking hazard if swallowed. Keep these items away from children.
6. This product is intended for indoor use only. Using this product outdoors could lead to product failure and personal injury.

**SAVE THIS MANUAL**

## PRODUCT PARAMETER

Model	Maximum Loaded Weight	Product Size
<b>GZT61*30.5*85</b>	Top 400 pounds Floor 300 pounds	307*612*862mm
<b>GZT61*45*85</b>		610*450*860mm
<b>GZT76*45*85</b>		760*450*860mm
<b>GZT76*30.5JL</b>		762*304.8*863.6mm
<b>GZT91*76JL</b>		910*760*860mm
<b>GZT76X60L</b>		760*600*850mm
<b>GZT90X60L</b>		900*600**850mm

## PARTS LIST



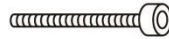
A x 1



B x 4



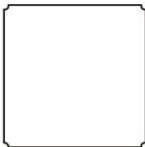
C x 12



D x 4



E x 1



F x 1



G x 4



H x 4



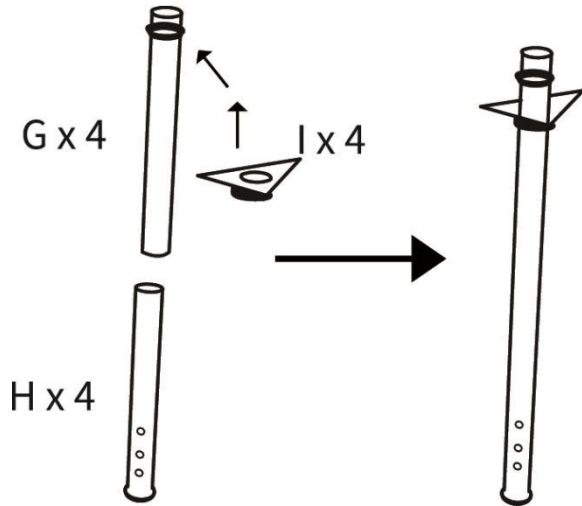
I x 4



J x 4

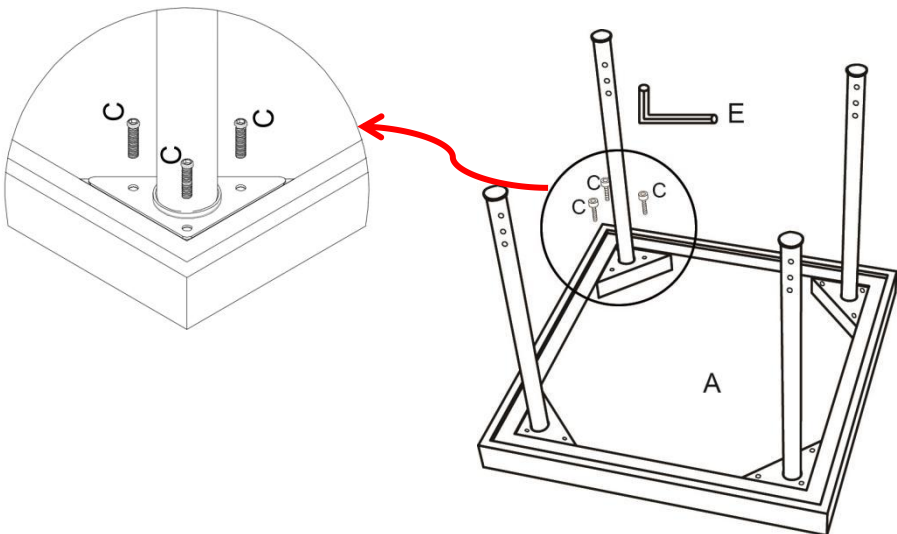
## ASSEMBLY STEP

### STEP1

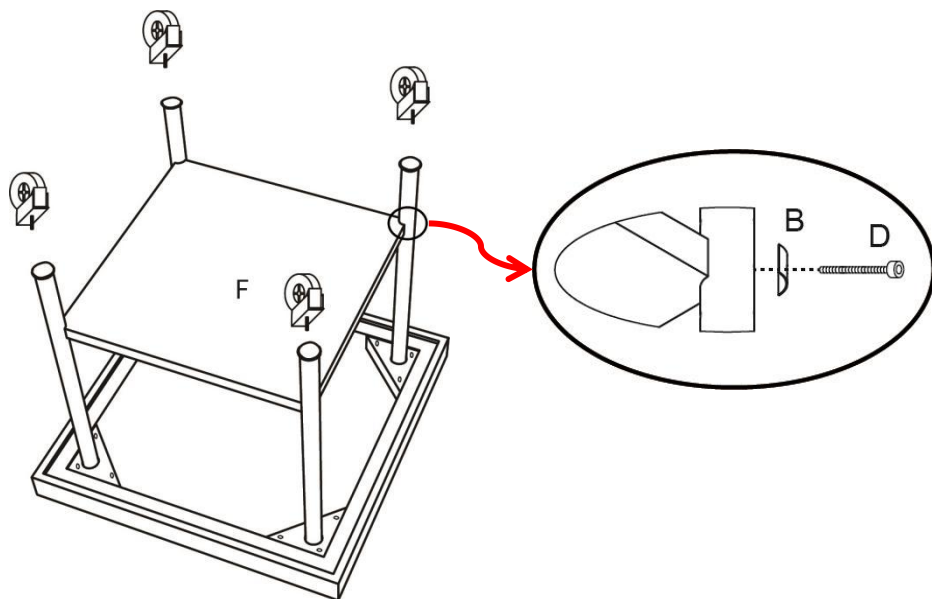


**Note:** The table legs are in one section, please skip this step.

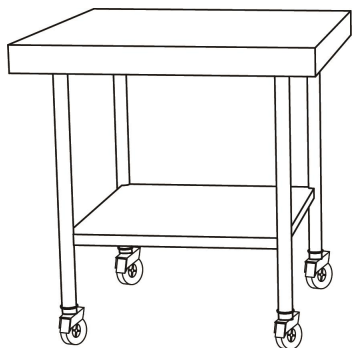
### STEP2



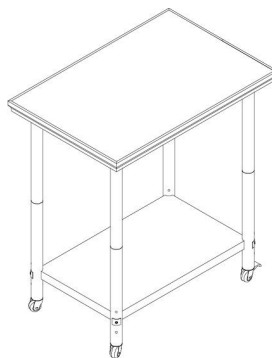
### STEP3



### STEP4



**GZT61\*30.5\*85**  
**GZT61\*45\*85**  
**GZT76\*45\*85**  
**GZT76\*30.5JL**  
**GZT91\*76JL**



**GZT76X60L**  
**GZT90X60L**

**Manufacturer:** Shanghai muxinmuyeyouxiangongsi

**Address:** Shuangchenglu 803nong11hao1602A-1609shi, baoshanqu, shanghai 200000 CN.

**Imported to AUS:** SIHAO PTY LTD. 1 ROKEVA STREET EASTWOOD NSW 2122 Australia

**Imported to USA:** Sanven Technology Ltd. Suite 250, 9166 Anaheim Place, Rancho Cucamonga, CA 91730

<b>EC</b>	<b>REP</b>
-----------	------------

E-CrossStu GmbH  
Mainzer Landstr.69, 60329 Frankfurt am Main.

<b>UK</b>	<b>REP</b>
-----------	------------

YH CONSULTING LIMITED.  
C/O YH Consulting Limited Office 147, Centurion House, London Road, Staines-upon-Thames, Surrey, TW18 4AX

**VEVOR<sup>®</sup>**

**TOUGH TOOLS, HALF PRICE**

**Technical Support and E-Warranty Certificate**

**[www.vevor.com/support](http://www.vevor.com/support)**



# **VEVOR<sup>®</sup>**

**TOUGH TOOLS, HALF PRICE**

Tecnico Supporto e certificato di garanzia elettronica [www.vevor.com/support](http://www.vevor.com/support)

## **BANCO DA LAVORO**

### **MANUALE D' uso**

**DIMENSIONI: GZT61\*30.5\*85**

**DIMENSIONI: GZT61\*45\*85**

**DIMENSIONI: GZT76\*45\*85**

**DIMENSIONI**

**CODICE ARTICOLO: GZT91\*76JL**

**MODELLO GZT76X60L**

**DIMENSIONI**

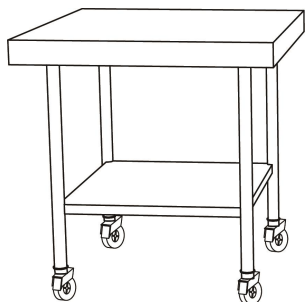
We continue to be committed to provide you tools with competitive price.

"Save Half", "Half Price" or any other similar expressions used by us only represents an estimate of savings you might benefit from buying certain tools with us compared to the major top brands and does not necessarily mean to cover all categories of tools offered by us. You are kindly reminded to verify carefully when you are placing an order with us if you are actually saving half in comparison with the top major brands.

# VEVOR®

TOUGH TOOLS, HALF PRICE

## WORKBENCH



**GZT61\*30.5\*85**

**GZT61\*45\*85**

**GZT76\*45\*85**

**GZT76\*30.5JL**

**GZT91\*76JL**



**GZT76X60L**

**GZT90X60L**

### NEED HELP? CONTACT US!

Have product questions? Need technical support? Please feel free to contact us:

**Technical Support and E-Warranty Certificate**

**[www.vevor.com/support](http://www.vevor.com/support)**

This is the original instruction, please read all manual instructions carefully before operating. VEVOR reserves a clear interpretation of our user manual. The appearance of the product shall be subject to the product you received. Please forgive us that we won't inform you again if there are any technology or software updates on our product.

## SAFETY INSTRUCTIONS

### **AVVERTIMENTO:**

**Leggere questo materiale prima di utilizzare questo prodotto. La mancata osservanza di questa precauzione può causare gravi lesioni.**

### **Precauzioni di montaggio**

1. Montare solo secondo queste istruzioni. Un montaggio improprio può creare pericoli.
2. Mantenere l'area di riunione pulita e ben illuminata.
3. Durante l'assemblea, tenere gli astanti lontani dall'area.
4. Non riunirsi quando si è stanchi o sotto l'effetto di alcol, droghe o farmaci.
5. Le capacità del prodotto si applicano solo ai prodotti correttamente e completamente assemblati.
6. Per ulteriori informazioni sulle parti elencate nelle pagine seguenti, fare riferimento allo schema di montaggio di questo manuale. Disimballare e separare tutte le parti in un'area di lavoro pulita.

### **Usare precauzioni**

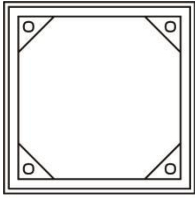
1. L'uso con prodotti più pesanti di quelli nominali indicati può causare instabilità e possibili lesioni.
2. I supporti devono essere fissati come specificato nelle istruzioni di montaggio. Un'installazione non corretta può causare danni o gravi lesioni personali.
3. Assicurarsi che la superficie di appoggio sia in grado di sostenere in modo sicuro il peso combinato dell'attrezzatura e di tutti i componenti e gli accessori ad essa collegati.
4. Utilizzare le viti di montaggio fornite e **NON SERRARE ECCESSIVAMENTE** le viti di montaggio.
5. Questo prodotto contiene piccoli oggetti che potrebbero rappresentare un rischio di soffocamento se ingeriti. Tenere questi oggetti lontano dalla portata dei bambini.
6. Questo prodotto è destinato esclusivamente all'uso in ambienti chiusi. L'uso di questo prodotto all'aperto potrebbe causare guasti al prodotto e lesioni personali.

**SALVA QUESTO MANUALE**

## PRODUCT PARAMETER

Modello	Peso massimo caricato	Dimensioni del prodotto
<b>DIMENSIONI: GZT61*30.5*85</b>	Le prime 400 libbre Pavimento 300 libbre	307*612*862mm
<b>DIMENSIONI: GZT61*45*85</b>		610*450*860mm
<b>DIMENSIONI: GZT76*45*85</b>		760*450*860mm
<b>DIMENSIONI</b>		762*304,8*863,6mm
<b>CODICE ARTICOLO: GZT91*76JL</b>		910*760*860mm
<b>MODELLO GZT76X60L</b>		760*600*850mm
<b>DIMENSIONI</b>		900*600**850mm

## PARTS LIST



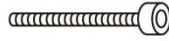
A x 1



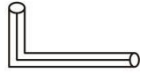
B x 4



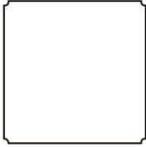
C x 12



D x 4



E x 1



F x 1



G x 4



H x 4



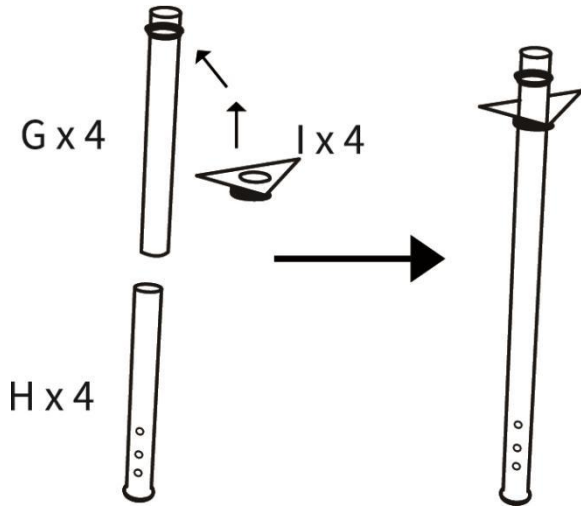
I x 4



J x 4

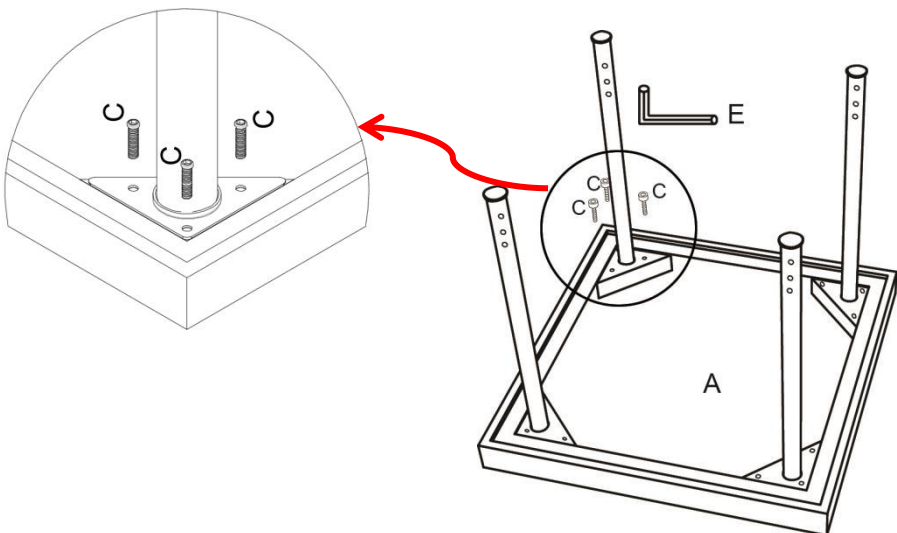
## ASSEMBLY STEP

### PASSO 1

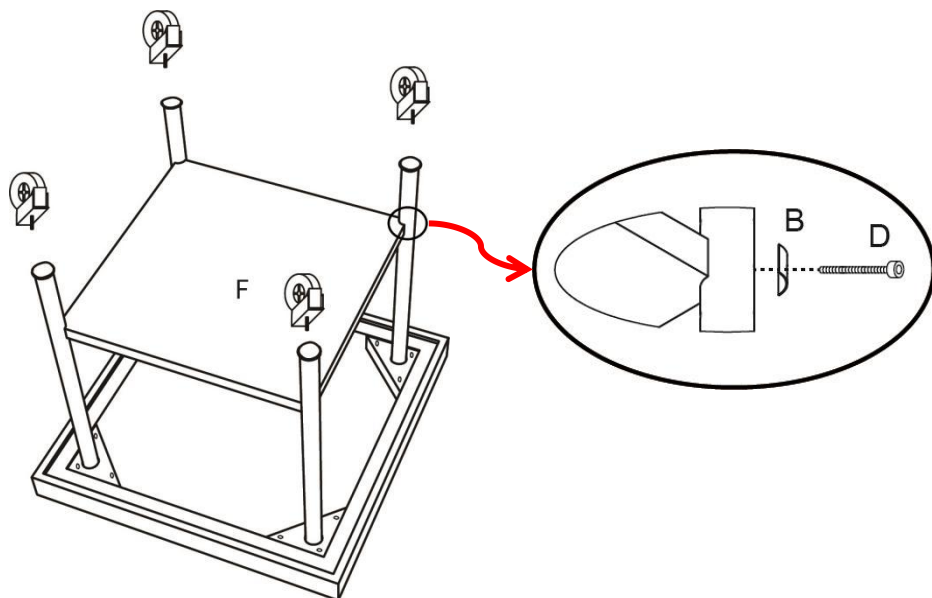


**Nota: le gambe del tavolo sono in un'unica sezione, saltare questo passaggio .**

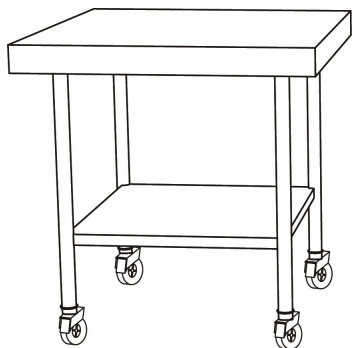
### PASSO 2



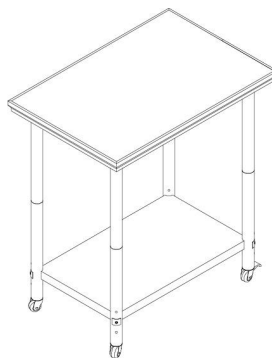
### PASSO 3



### PASSO4



**GZT61\*30.5\*85**  
**GZT61\*45\*85**  
**GZT76\*45\*85**  
**GZT76\*30.5JL**  
**GZT91\*76JL**



**GZT76X60L**  
**GZT90X60L**



**Produttore:** Shanghai muxinmuyeyouxiangongsi

**Indirizzo:** Shuangchenglu 803nong11hao1602A-1609shi, baoshanqu, shanghai 200000 CN.

**Importato in AUS:** SIHAO PTY LTD. 1 ROKEVA STREET EASTWOOD NSW 2122 Australia

**Importato negli USA:** Sanven Technology Ltd. Suite 250, 9166 Anaheim Place, Rancho Cucamonga, CA 91730

<b>EC</b>	<b>REP</b>
-----------	------------

E-CrossStu GmbH  
Mainzer Landstr.69, 60329 Frankfurt am Main.

<b>UK</b>	<b>REP</b>
-----------	------------

YH CONSULTING LIMITED.  
C/O YH Consulting Limited Office 147, Centurion House, London Road, Staines-upon-Thames, Surrey, TW18 4AX

**VEVOR**<sup>®</sup>

**TOUGH TOOLS, HALF PRICE**

**Tecnico Supporto e certificato di garanzia elettronica**

**[www.vevor.com/support](http://www.vevor.com/support)**

# **VEVOR®**

**TOUGH TOOLS, HALF PRICE**

Techniczny Wsparcie i certyfikat gwarancji elektronicznej [www.vevor.com/support](http://www.vevor.com/support)

## **STÓŁ WARSZTATOWY**

### **INSTRUKCJA obsługi**

**GZT61\*30.5\*85**

**GZT61\*45\*85**

**GZT76\*45\*85**

**GZT76\*30,5JL**

**GZT91\*76JL**

**GZT76X60L**

**GZT90X60L**

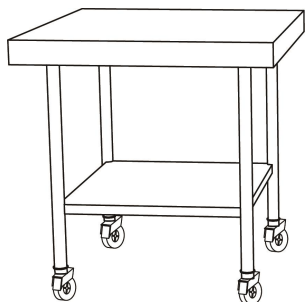
We continue to be committed to provide you tools with competitive price.

"Save Half", "Half Price" or any other similar expressions used by us only represents an estimate of savings you might benefit from buying certain tools with us compared to the major top brands and does not necessarily mean to cover all categories of tools offered by us. You are kindly reminded to verify carefully when you are placing an order with us if you are actually saving half in comparison with the top major brands.

# VEVOR®

TOUGH TOOLS, HALF PRICE

## WORKBENCH



**GZT61\*30.5\*85**

**GZT61\*45\*85**

**GZT76\*45\*85**

**GZT76\*30.5JL**

**GZT91\*76JL**



**GZT76X60L**

**GZT90X60L**

### NEED HELP? CONTACT US!

Have product questions? Need technical support? Please feel free to contact us:

**Technical Support and E-Warranty Certificate**

**[www.vevor.com/support](http://www.vevor.com/support)**

This is the original instruction, please read all manual instructions carefully before operating. VEVOR reserves a clear interpretation of our user manual. The appearance of the product shall be subject to the product you received. Please forgive us that we won't inform you again if there are any technology or software updates on our product.

## SAFETY INSTRUCTIONS

### **OSTRZEŻENIE:**

**Przeczytaj ten materiał przed użyciem tego produktu. Nieprzestrzeganie tego może spowodować poważne obrażenia.**

### **Środki ostrożności podczas montażu**

1. Montaż należy wykonywać wyłącznie zgodnie z niniejszą instrukcją. Nieprawidłowy montaż może stwarzać zagrożenia.
2. Utrzymuj miejsce zgromadzenia w czystości i zapewnij dobre oświetlenie.
3. Nie dopuszczać osób postronnych na teren montażu podczas jego trwania.
4. Nie przychodź na spotkania, jeśli jesteś zmęczony lub pod wpływem alkoholu, narkotyków lub leków.
5. Możliwości produktu odnoszą się wyłącznie do produktów prawidłowo i kompletnie zmontowanych.
6. Aby uzyskać dodatkowe informacje dotyczące części wymienionych na kolejnych stronach, zapoznaj się ze schematem montażu w tym podręczniku. Rozpakuj i oddziel wszystkie części w czystym miejscu pracy.

### **Stosuj środki ostrożności**

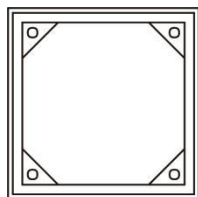
1. Stosowanie produktów o masie większej niż podana wartość znamionowa może skutkować niestabilnością, a w efekcie możliwymi obrażeniami.
2. Mocowania muszą być przymocowane zgodnie ze specyfikacją w instrukcji montażu. Nieprawidłowa instalacja może spowodować uszkodzenie lub poważne obrażenia ciała.
3. Upewnij się, że powierzchnia nośna będzie w stanie bezpiecznie utrzymać łączny ciężar sprzętu oraz całego przymocowanego sprzętu i komponentów.
4. Użyj dołączonych śrub montażowych i **NIE DOKRĘCAJ** ich ZBYT MOCNO.
5. Ten produkt zawiera małe przedmioty, które mogą być przyczyną zadławienia w przypadku połknięcia. Trzymaj te przedmioty z dala od dzieci.
6. Ten produkt jest przeznaczony wyłącznie do użytku wewnątrz pomieszczeń. Używanie tego produktu na zewnątrz może prowadzić do awarii produktu i obrażeń ciała.

### **ZAPISZ TĘ INSTRUKCJĘ**

## PRODUCT PARAMETER

Model	Maksymalna masa ładunku	Rozmiar produktu
<b>GZT61*30.5*85</b>	Najlepsze 400 funtów Podłoga 300 funtów	Wymiary: 307*612*862mm
<b>GZT61*45*85</b>		610*450*860mm
<b>GZT76*45*85</b>		760*450*860mm
<b>GZT76*30,5JL</b>		762*304,8*863,6 mm
<b>GZT91*76JL</b>		910*760*860mm
<b>GZT76X60L</b>		760*600*850mm
<b>GZT90X60L</b>		900*600**850 mm

## PARTS LIST



A x 1



B x 4



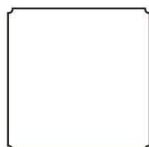
C x 12



D x 4



E x 1



F x 1



G x 4



H x 4



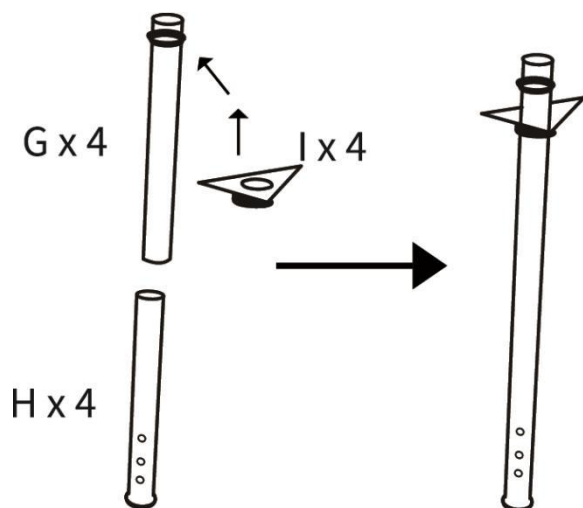
I x 4



J x 4

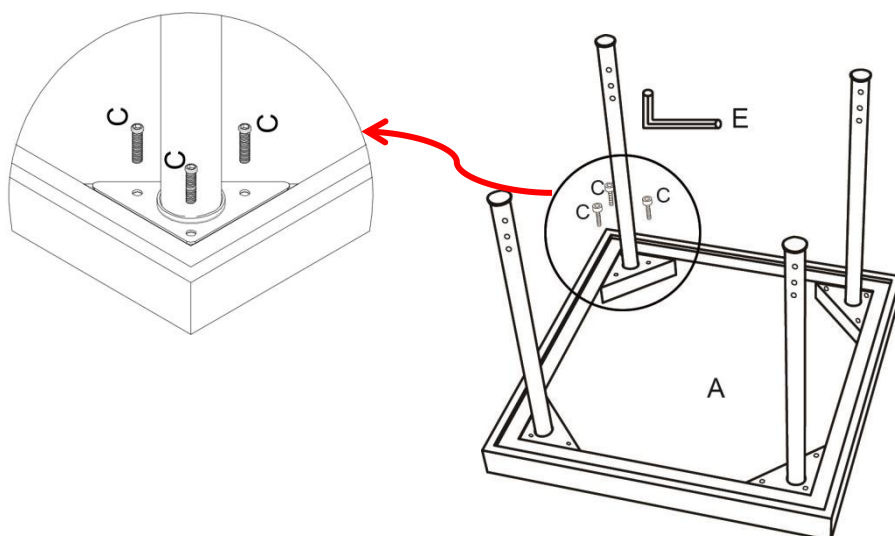
## ASSEMBLY STEP

### KROK 1

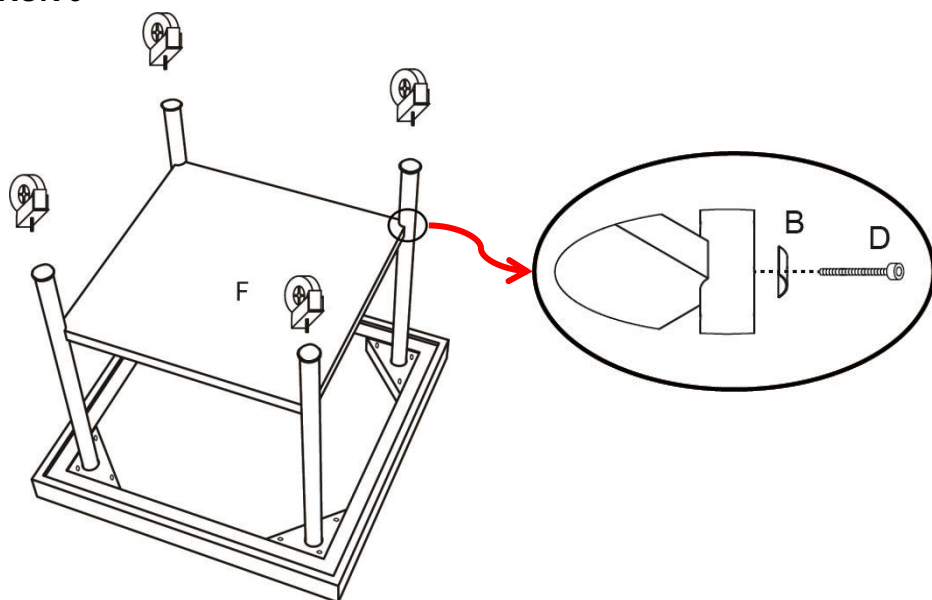


Uwaga: Nogi stołu znajdują się w jednej części, prosimy pominąć ten krok .

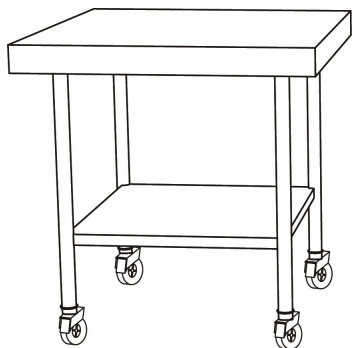
### KROK 2



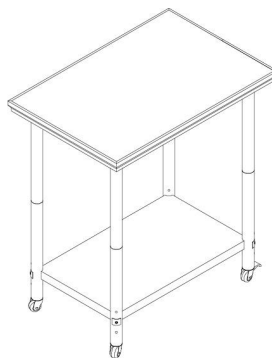
### KROK 3



### KROK 4



**GZT61\*30.5\*85**  
**GZT61\*45\*85**  
**GZT76\*45\*85**  
**GZT76\*30.5JL**  
**GZT91\*76JL**



**GZT76X60L**  
**GZT90X60L**



**Producent:** Shanghaimuxinmuyeyouxiangongsi

**Adres:** Shuangchenglu 803nong11hao1602A-1609shi, baoshanqu, szanghaj 200000 CN.

**Importowane do AUS:** SIHAO PTY LTD. 1 ROKEVA  
STREETEASTWOOD NSW 2122 Australia

**Importowane do USA:** Sanven Technology Ltd. Suite 250, 9166 Anaheim  
Place, Rancho Cucamonga, CA 91730

<b>EC</b>	<b>REP</b>
-----------	------------

E-CrossStu GmbH  
Mainzer Landstr.69, 60329 Frankfurt am Main.

<b>UK</b>	<b>REP</b>
-----------	------------

YH CONSULTING LIMITED.  
C/O YH Consulting Limited Office 147, Centurion  
House, London Road, Staines-upon-Thames, Surrey,  
TW18 4AX

**VEVOR**<sup>®</sup>

**TOUGH TOOLS, HALF PRICE**

**Techniczny Wsparcie i certyfikat e-gwarancji**

**[www.vevor.com/support](http://www.vevor.com/support)**

# **VEVOR<sup>®</sup>**

**TOUGH TOOLS, HALF PRICE**

Technisch Support und E-Garantie-Zertifikat [www.vevor.com/support](http://www.vevor.com/support)

## **WERKBANK**

### **Benutzerhandbuch**

**GZT61\*30,5\*85**

**GZT61\*45\*85**

**GZT76\*45\*85**

**GZT76\*30,5JL**

**GZT91\*76JL**

**GZT76X60L**

**GZT90X60L**

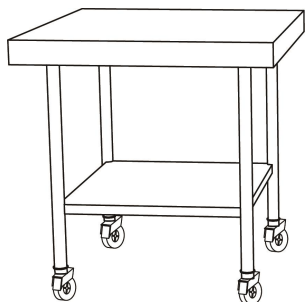
We continue to be committed to provide you tools with competitive price.

"Save Half", "Half Price" or any other similar expressions used by us only represents an estimate of savings you might benefit from buying certain tools with us compared to the major top brands and does not necessarily mean to cover all categories of tools offered by us. You are kindly reminded to verify carefully when you are placing an order with us if you are actually saving half in comparison with the top major brands.

# VEVOR®

TOUGH TOOLS, HALF PRICE

## WORKBENCH



**GZT61\*30.5\*85**

**GZT61\*45\*85**

**GZT76\*45\*85**

**GZT76\*30.5JL**

**GZT91\*76JL**



**GZT76X60L**

**GZT90X60L**

### NEED HELP? CONTACT US!

Have product questions? Need technical support? Please feel free to contact us:

**Technical Support and E-Warranty Certificate**

**[www.vevor.com/support](http://www.vevor.com/support)**

This is the original instruction, please read all manual instructions carefully before operating. VEVOR reserves a clear interpretation of our user manual. The appearance of the product shall be subject to the product you received. Please forgive us that we won't inform you again if there are any technology or software updates on our product.

## SAFETY INSTRUCTIONS

### **WARNUNG:**

**Lesen Sie dieses Material, bevor Sie dieses Produkt verwenden. Andernfalls kann es zu schweren Verletzungen kommen.**

### **Vorsichtsmaßnahmen bei der Montage**

1. Führen Sie die Montage nur gemäß dieser Anleitung durch. Eine unsachgemäße Montage kann zu Gefahren führen.
2. Halten Sie den Versammlungsbereich sauber und gut beleuchtet.
3. Halten Sie während der Montage unbeteiligte Zuschauer vom Bereich fern.
4. Nicht zusammenbauen, wenn Sie müde sind oder unter Einfluss von Alkohol, Drogen oder Medikamenten stehen.
5. Die Produktfunktionen gelten nur für ordnungsgemäß und vollständig montierte Produkte.
6. Weitere Informationen zu den auf den folgenden Seiten aufgeführten Teilen finden Sie im Montagediagramm dieses Handbuchs. Packen Sie alle Teile in einem sauberen Arbeitsbereich aus und trennen Sie sie.

### **Vorsichtsmaßnahmen treffen**

1. Die Verwendung mit Produkten, die schwerer als das angegebene Nenngewicht sind, kann zu Instabilität führen und dadurch Verletzungen verursachen.
2. Halterungen müssen gemäß den Montageanweisungen angebracht werden. Eine unsachgemäße Installation kann zu Schäden oder schweren Verletzungen führen.
3. Stellen Sie sicher, dass die Standfläche das Gesamtgewicht des Geräts und aller angeschlossenen Hardware und Komponenten sicher trägt.
4. Verwenden Sie die mitgelieferten Befestigungsschrauben und ZIEHEN Sie diese NICHT ZU FEST ZIEHEN.
5. Dieses Produkt enthält Kleinteile, die bei Verschlucken eine Erstickungsgefahr darstellen können. Bewahren Sie diese Teile außerhalb der Reichweite von Kindern auf.
6. Dieses Produkt ist nur für den Gebrauch in Innenräumen vorgesehen. Bei Verwendung im Freien kann es zu Produktfehlern und Verletzungen

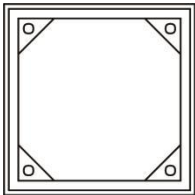
kommen.

**BEWAHREN SIE DIESES HANDBUCH AUF**

## PRODUCT PARAMETER

Modell	Maximales Ladegewicht	Produktgröße
<b>GZT61*30,5*85</b>	Über 400 Pfund Boden 300 Pfund	307*612*862 mm
<b>GZT61*45*85</b>		610*450*860 mm
<b>GZT76*45*85</b>		760 x 450 x 860 mm
<b>GZT76*30,5JL</b>		762*304,8*863,6 mm
<b>GZT91*76JL</b>		910 x 760 x 860 mm
<b>GZT76X60L</b>		760 x 600 x 850 mm
<b>GZT90X60L</b>		900*600**850 mm

## PARTS LIST



A x 1



B x 4



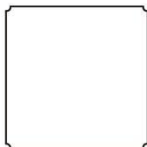
C x 12



D x 4



E x 1



F x 1



G x 4



H x 4



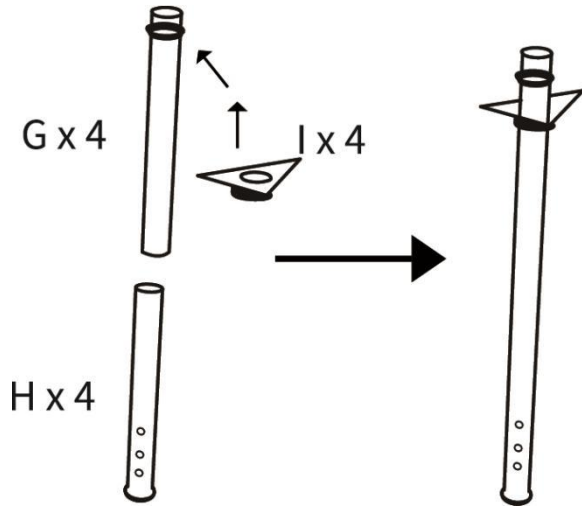
I x 4



J x 4

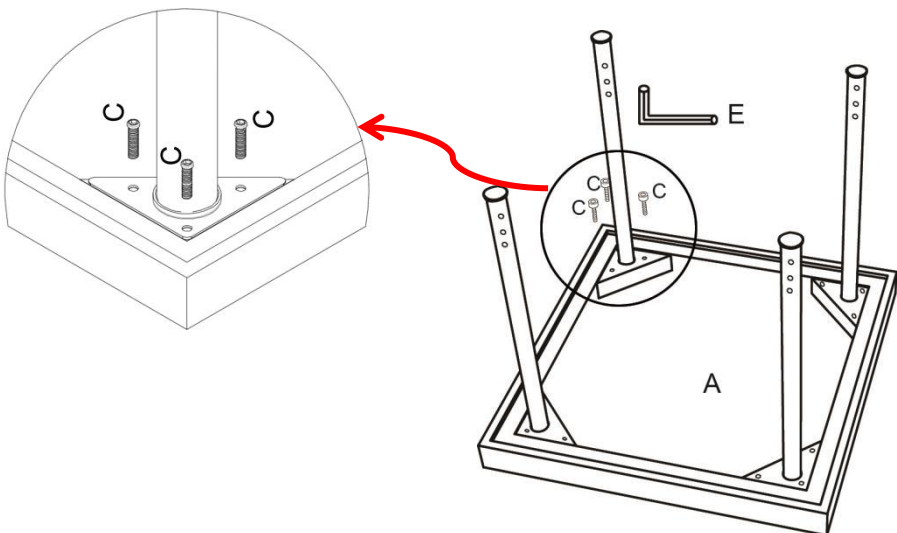
## ASSEMBLY STEP

### SCHRITT 1



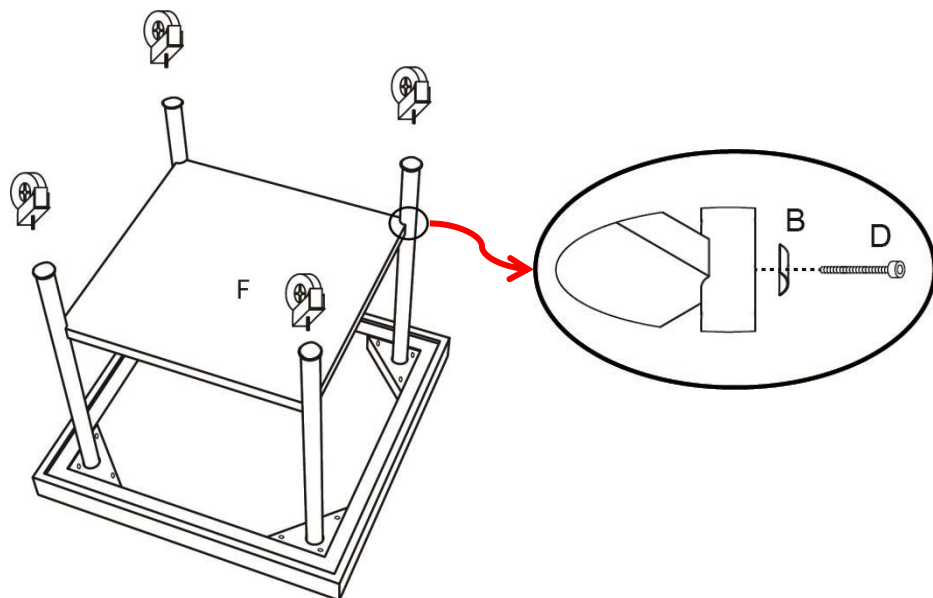
**Hinweis: Die Tischbeine bestehen aus einem Stück, überspringen Sie diesen Schritt bitte .**

### SCHRITT 2

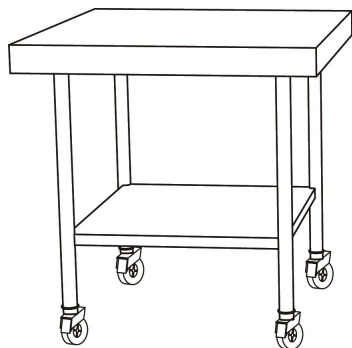




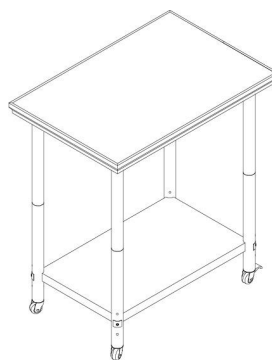
### SCHRITT3



### SCHRITT4



**GZT61\*30.5\*85**  
**GZT61\*45\*85**  
**GZT76\*45\*85**  
**GZT76\*30.5JL**  
**GZT91\*76JL**



**GZT76X60L**  
**GZT90X60L**

**Hersteller:** Shanghaimuxinmuyeyouxiangongsi

**Adresse:** Shuangchenglu 803nong11hao1602A-1609shi, baoshanqu, Shanghai 200000 CN.

**Nach AUS importiert:** SIHAO PTY LTD. 1 ROKEVA  
STREETEASTWOOD NSW 2122 Australien

**Importiert in die USA:** Sanven Technology Ltd. Suite 250, 9166 Anaheim Place, Rancho Cucamonga, CA 91730



E-CrossStu GmbH  
Mainzer Landstr.69, 60329 Frankfurt am Main.



YH CONSULTING LIMITED.  
C/O YH Consulting Limited Office 147, Centurion House, London Road, Staines-upon-Thames, Surrey, TW18 4AX

**VEVOR<sup>®</sup>**

**TOUGH TOOLS, HALF PRICE**

**Technisch Support und E-Garantie-Zertifikat**

**[www.vevor.com/support](http://www.vevor.com/support)**

# **VEVOR<sup>®</sup>**

**TOUGH TOOLS, HALF PRICE**

Technique Certificat d'assistance et de garantie électronique

[www.vevor.com/support](http://www.vevor.com/support)

## **ÉTABLISSEMENT MANUEL D' utilisation**

**GZT61\*30,5\*85**

**GZT61\*45\*85**

**GZT76\*45\*85**

**GZT76\*30.5JL**

**GZT91\*76JL**

**GZT76X60L**

**GZT90X60L**

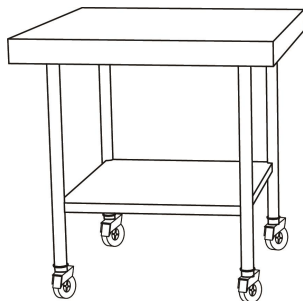
We continue to be committed to provide you tools with competitive price.

"Save Half", "Half Price" or any other similar expressions used by us only represents an estimate of savings you might benefit from buying certain tools with us compared to the major top brands and does not necessarily mean to cover all categories of tools offered by us. You are kindly reminded to verify carefully when you are placing an order with us if you are actually saving half in comparison with the top major brands.

# VEVOR<sup>®</sup>

TOUGH TOOLS, HALF PRICE

## WORKBENCH



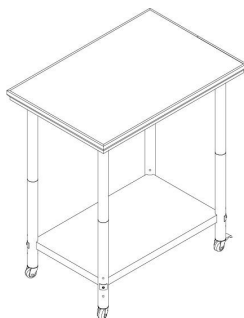
**GZT61\*30.5\*85**

**GZT61\*45\*85**

**GZT76\*45\*85**

**GZT76\*30.5JL**

**GZT91\*76JL**



**GZT76X60L**

**GZT90X60L**

### NEED HELP? CONTACT US!

Have product questions? Need technical support? Please feel free to contact us:

**Technical Support and E-Warranty Certificate**  
**[www.vevor.com/support](http://www.vevor.com/support)**

This is the original instruction, please read all manual instructions carefully before operating. VEVOR reserves a clear interpretation of our user manual. The appearance of the product shall be subject to the product you received. Please forgive us that we won't inform you again if there are any technology or software updates on our product.

## SAFETY INSTRUCTIONS

### **AVERTISSEMENT:**

**Lisez ce document avant d'utiliser ce produit. Le non-respect de ces instructions peut entraîner des blessures graves.**

### **Précautions de montage**

1. Assembler uniquement selon ces instructions. Un assemblage incorrect peut créer des dangers.
2. Gardez la zone de montage propre et bien éclairée.
3. Gardez les spectateurs hors de la zone pendant le montage.
4. Ne pas monter si vous êtes fatigué ou sous l' influence de l' alcool, de drogues ou de médicaments.
5. Les capacités du produit s'appliquent uniquement aux produits correctement et entièrement assemblés.
6. Pour plus d'informations sur les pièces répertoriées dans les pages suivantes, reportez-vous au schéma d'assemblage de ce manuel. Déballez et séparez toutes les pièces dans un espace de travail propre.

### **Précautions d'emploi**

1. L'utilisation de produits plus lourds que les poids nominaux indiqués peut entraîner une instabilité pouvant entraîner des blessures.
2. Les supports doivent être fixés conformément aux instructions de montage. Une installation incorrecte peut entraîner des dommages ou des blessures graves.
3. Assurez-vous que la surface de support supportera en toute sécurité le poids combiné de l' équipement et de tout le matériel et les composants fixés.
4. Utilisez les vis de montage fournies et **NE SERREZ PAS TROP** les vis de montage.
5. Ce produit contient de petits éléments qui peuvent présenter un risque d'étouffement en cas d'ingestion. Gardez ces éléments hors de portée des enfants.

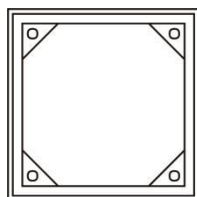
6. Ce produit est destiné à une utilisation en intérieur uniquement. L'utilisation de ce produit à l'extérieur peut entraîner une défaillance du produit et des blessures corporelles.

**CONSERVER CE MANUEL**

## PRODUCT PARAMETER

Modèle	Poids maximal chargé	Taille du produit
<b>GZT61*30,5*85</b>	Les 400 livres les plus lourdes Plancher 300 livres	307*612*862mm
<b>GZT61*45*85</b>		610*450*860mm
<b>GZT76*45*85</b>		760*450*860mm
<b>GZT76*30.5JL</b>		762*304,8*863,6 mm
<b>GZT91*76JL</b>		910*760*860mm
<b>GZT76X60L</b>		760*600*850mm
<b>GZT90X60L</b>		900*600**850mm

## PARTS LIST



A x 1



B x 4



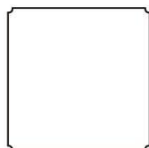
C x 12



D x 4



E x 1



F x 1



G x 4



H x 4



I x 4

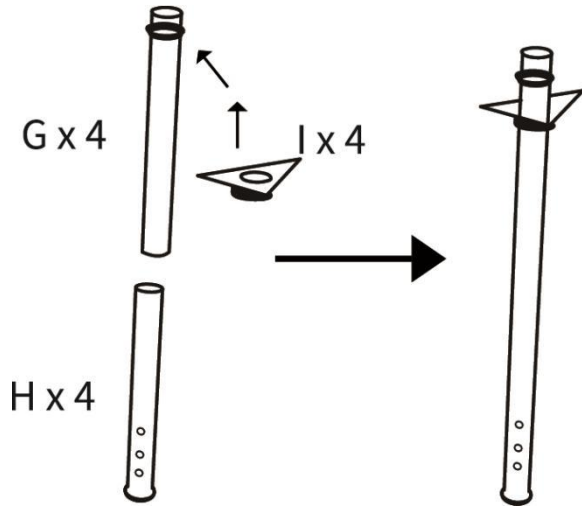


J x 4



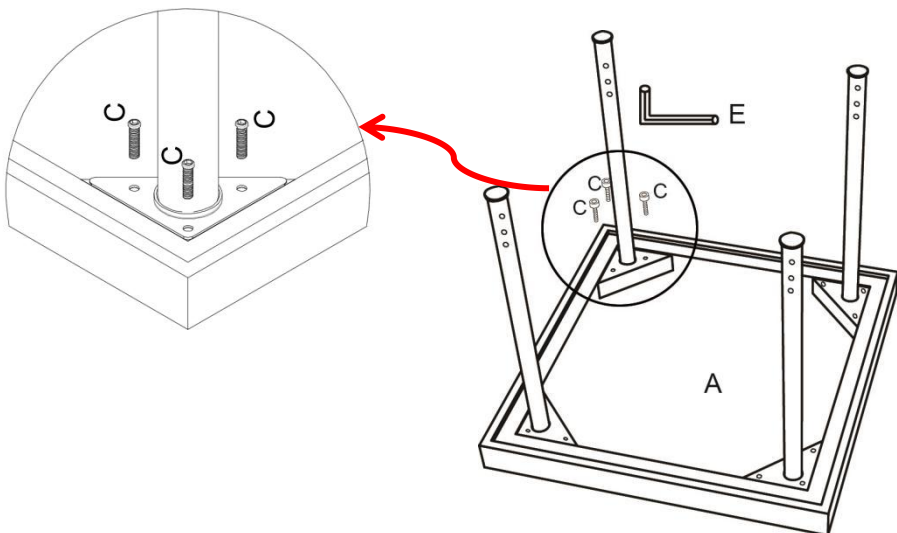
## ASSEMBLY STEP

### ÉTAPE 1

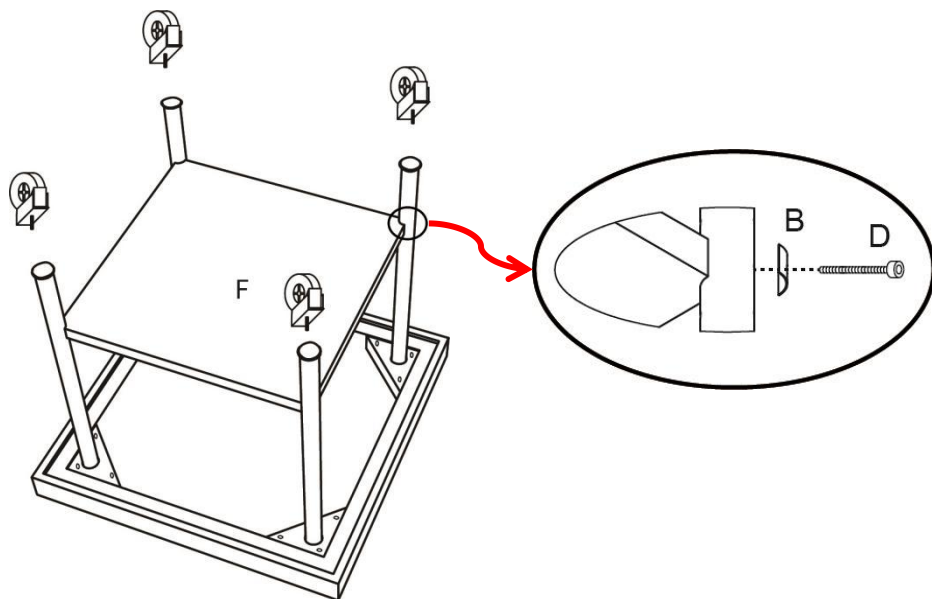


Remarque : les pieds de la table sont en une seule section, veuillez ignorer cette étape .

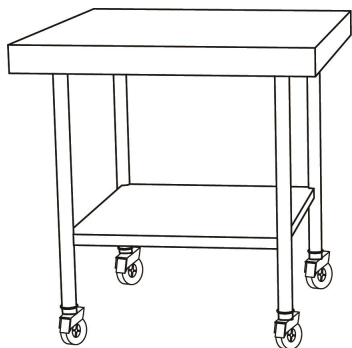
### ÉTAPE 2



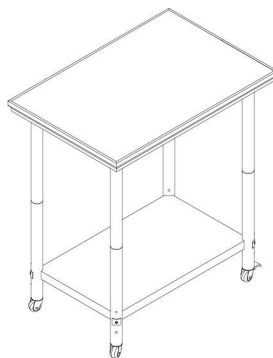
### ÉTAPE 3



### ÉTAPE 4



**GZT61\*30.5\*85**  
**GZT61\*45\*85**  
**GZT76\*45\*85**  
**GZT76\*30.5JL**  
**GZT91\*76JL**



**GZT76X60L**  
**GZT90X60L**

**Fabricant** : Shanghaimuxinmuyeyouxiangongsi

**Adresse** : Shuangchenglu 803nong11hao1602A-1609shi, baoshanqu, shanghai 200000 CN.

**Importé en Australie** : SIHAO PTY LTD. 1 ROKEVA  
STREETEASTWOOD NSW 2122 Australie

**Importé aux États-Unis** : Sanven Technology Ltd. Suite 250, 9166  
Anaheim Place, Rancho Cucamonga, CA 91730

<b>EC</b>	<b>REP</b>
-----------	------------

E-CrossStu GmbH  
Mainzer Landstr.69, 60329 Frankfurt am Main.

<b>UK</b>	<b>REP</b>
-----------	------------

YH CONSULTING LIMITED.  
C/O YH Consulting Limited Office 147, Centurion  
House, London Road, Staines-upon-Thames, Surrey,  
TW18 4AX

**VEVOR**<sup>®</sup>

**TOUGH TOOLS, HALF PRICE**

**Technique Certificat d'assistance et de garantie électronique**

**[www.vevor.com/support](http://www.vevor.com/support)**

# **VEVOR<sup>®</sup>**

**TOUGH TOOLS, HALF PRICE**

Technisch Ondersteuning en E-garantiecertificaat [www.vevor.com/support](http://www.vevor.com/support)

## **WERKBANK**

### **Gebruikershandleiding**

**GZT61\*30.5\*85**

**GZT61\*45\*85**

**GZT76\*45\*85**

**GZT76\*30.5JL**

**GZT91\*76JL**

**GZT76X60L**

**GZT90X60L**

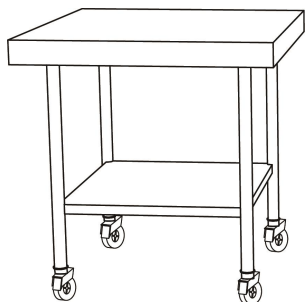
We continue to be committed to provide you tools with competitive price.

"Save Half", "Half Price" or any other similar expressions used by us only represents an estimate of savings you might benefit from buying certain tools with us compared to the major top brands and does not necessarily mean to cover all categories of tools offered by us. You are kindly reminded to verify carefully when you are placing an order with us if you are actually saving half in comparison with the top major brands.

# VEVOR®

TOUGH TOOLS, HALF PRICE

## WORKBENCH



**GZT61\*30.5\*85**

**GZT61\*45\*85**

**GZT76\*45\*85**

**GZT76\*30.5JL**

**GZT91\*76JL**



**GZT76X60L**

**GZT90X60L**

### NEED HELP? CONTACT US!

Have product questions? Need technical support? Please feel free to contact us:

**Technical Support and E-Warranty Certificate**

**[www.vevor.com/support](http://www.vevor.com/support)**

This is the original instruction, please read all manual instructions carefully before operating. VEVOR reserves a clear interpretation of our user manual. The appearance of the product shall be subject to the product you received. Please forgive us that we won't inform you again if there are any technology or software updates on our product.

## SAFETY INSTRUCTIONS

### **WAARSCHUWING:**

**Lees dit materiaal voordat u dit product gebruikt. Als u dit niet doet, kan dit leiden tot ernstig letsel.**

### **Voorzorgsmaatregelen bij de montage**

1. Monteer alleen volgens deze instructies. Onjuiste montage kan gevaren opleveren.
2. Zorg ervoor dat de verzamelplaats schoon en goed verlicht is.
3. Houd omstanders uit de buurt tijdens de montage.
4. Kom niet bijeen als u moe bent of onder invloed van alcohol, drugs of medicijnen.
5. De producteigenschappen gelden uitsluitend voor correct en volledig gemonteerde producten.
6. Voor aanvullende informatie over de onderdelen die op de volgende pagina's worden vermeld, raadpleegt u het montageschema van deze handleiding. Pak alle onderdelen uit en scheid ze in een schone werkruimte.

### **Neem voorzorgsmaatregelen**

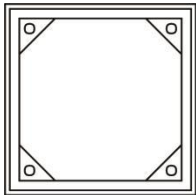
1. Gebruik met producten die zwaarder zijn dan het aangegeven nominale gewicht kan leiden tot instabiliteit en mogelijk letsel.
2. Bevestigingen moeten worden bevestigd zoals aangegeven in de montage-instructies. Onjuiste installatie kan leiden tot schade of ernstig persoonlijk letsel.
3. Zorg ervoor dat het ondersteunende oppervlak het totale gewicht van de apparatuur en alle bevestigde hardware en componenten veilig kan dragen.
4. Gebruik de meegeleverde bevestigingsschroeven en DRAAI de bevestigingsschroeven NIET TE DRAAI.
5. Dit product bevat kleine items die een verstikkingsgevaar kunnen vormen als ze worden ingeslikt. Houd deze items uit de buurt van kinderen.
6. Dit product is alleen bedoeld voor gebruik binnenshuis. Het gebruik van dit product buitenshuis kan leiden tot productfalen en persoonlijk letsel.

### **BEWAAR DEZE HANDLEIDING**

## PRODUCT PARAMETER

Model	Maximaal belastbaar gewicht	Productgrootte
<b>GZT61*30.5*85</b>	Bovenste 400 pond Vloer 300 pond	307*612*862mm
<b>GZT61*45*85</b>		610*450*860mm
<b>GZT76*45*85</b>		760*450*860mm
<b>GZT76*30.5JL</b>		762*304,8*863,6mm
<b>GZT91*76JL</b>		910*760*860mm
<b>GZT76X60L</b>		760*600*850mm
<b>GZT90X60L</b>		900*600**850mm

## PARTS LIST



A x 1



B x 4



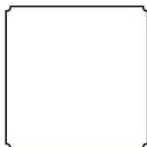
C x 12



D x 4



E x 1



F x 1



G x 4



H x 4



I x 4

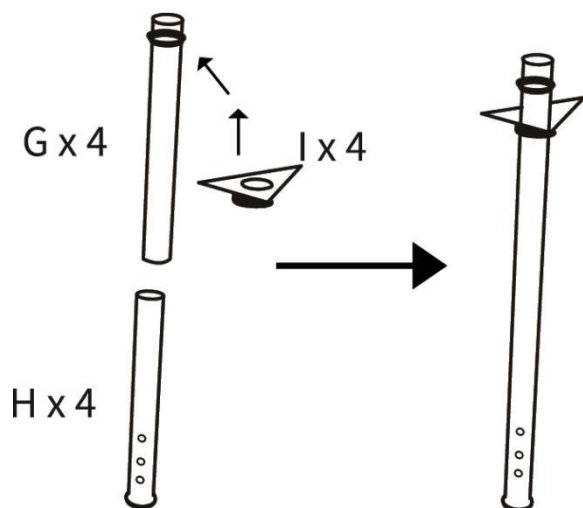


J x 4



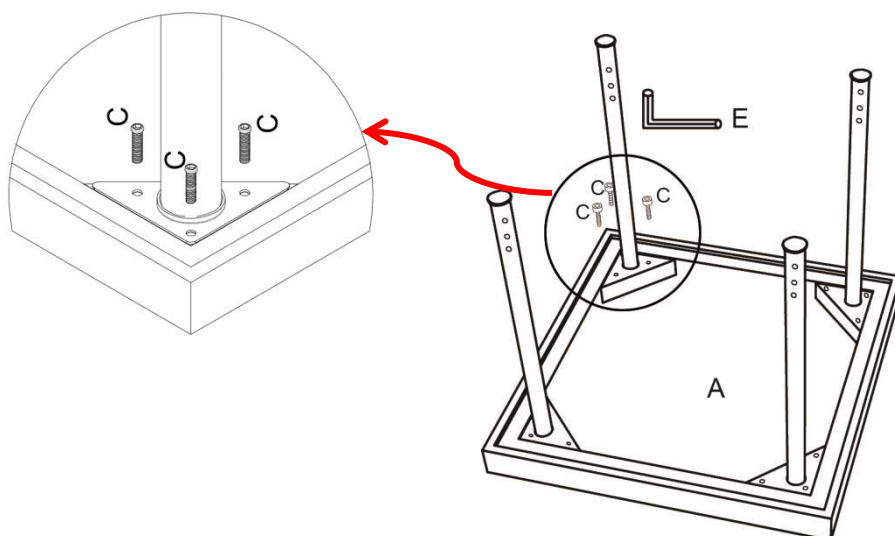
## ASSEMBLY STEP

### STAP 1

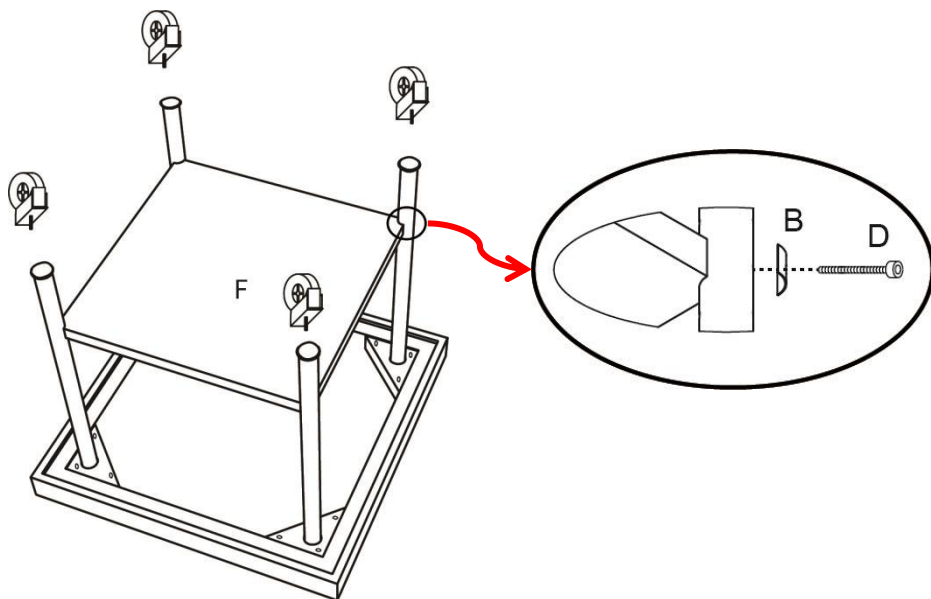


Let op: De tafelpoten bestaan uit één geheel, sla deze stap over .

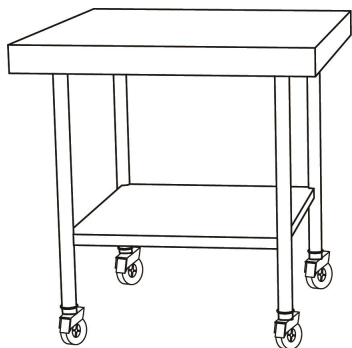
### STAP 2



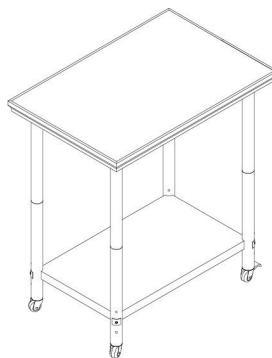
### STAP 3



### STAP 4



**GZT61\*30.5\*85**  
**GZT61\*45\*85**  
**GZT76\*45\*85**  
**GZT76\*30.5JL**  
**GZT91\*76JL**



**GZT76X60L**  
**GZT90X60L**

**Fabrikant:** Shanghaimuxinmuyeyouxiangongsi

**Adres:** Shuangchenglu 803nong11hao1602A-1609shi, baoshanqu, shanghai 200000 CN.

**Geïmporteerd naar AUS:** SIHAO PTY LTD. 1 ROKEVA  
STREETEASTWOOD NSW 2122 Australië

**Geïmporteerd naar de VS:** Sanven Technology Ltd. Suite 250, 9166  
Anaheim Place, Rancho Cucamonga, CA 91730

<b>EC</b>	<b>REP</b>
-----------	------------

E-CrossStu GmbH  
Mainzer Landstr.69, 60329 Frankfurt am Main.

<b>UK</b>	<b>REP</b>
-----------	------------

YH CONSULTING LIMITED.  
C/O YH Consulting Limited Office 147, Centurion  
House, London Road, Staines-upon-Thames, Surrey,  
TW18 4AX

**VEVOR**<sup>®</sup>

**TOUGH TOOLS, HALF PRICE**

**Technisch Ondersteuning en E-garantiecertificaat**

**[www.vevor.com/support](http://www.vevor.com/support)**

# **VEVOR<sup>®</sup>**

**TOUGH TOOLS, HALF PRICE**

Teknisk Support och e-garanticertifikat [www.vevor.com/support](http://www.vevor.com/support)

## **ARBETSBÄNK**

### **Användarmanual**

**GZT61\*30,5\*85**

**GZT61\*45\*85**

**GZT76\*45\*85**

**GZT76\*30.5JL**

**GZT91\*76JL**

**GZT76X60L**

**GZT90X60L**

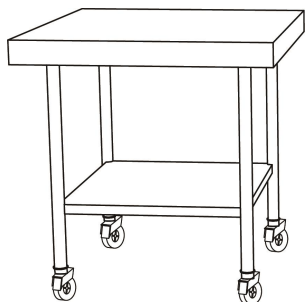
We continue to be committed to provide you tools with competitive price.

"Save Half", "Half Price" or any other similar expressions used by us only represents an estimate of savings you might benefit from buying certain tools with us compared to the major top brands and does not necessarily mean to cover all categories of tools offered by us. You are kindly reminded to verify carefully when you are placing an order with us if you are actually saving half in comparison with the top major brands.

# VEVOR®

TOUGH TOOLS, HALF PRICE

## WORKBENCH



**GZT61\*30.5\*85**

**GZT61\*45\*85**

**GZT76\*45\*85**

**GZT76\*30.5JL**

**GZT91\*76JL**



**GZT76X60L**

**GZT90X60L**

### NEED HELP? CONTACT US!

Have product questions? Need technical support? Please feel free to contact us:

**Technical Support and E-Warranty Certificate**

**[www.vevor.com/support](http://www.vevor.com/support)**

This is the original instruction, please read all manual instructions carefully before operating. VEVOR reserves a clear interpretation of our user manual. The appearance of the product shall be subject to the product you received. Please forgive us that we won't inform you again if there are any technology or software updates on our product.

## SAFETY INSTRUCTIONS

### **WARNING:**

**Läs detta material innan du använder denna produkt. Underlåtenhet att göra det kan resultera i allvarliga skador.**

### **Försiktighetsåtgärder vid montering**

1. Montera endast enligt dessa instruktioner. Felaktig montering kan skapa faror.
2. Håll monteringsområdet rent och väl upplyst.
3. Håll åskådare borta från området under monteringen.
4. Sätt dig inte ihop när du är trött eller påverkad av alkohol, droger eller mediciner.
5. Produkttegenskaperna gäller endast för korrekt och färdigmonterade produkter.
6. För ytterligare information om delarna som listas på följande sidor, se monteringsdiagrammet i denna manual. Packa upp och separera alla delar på ett rent arbetsområde.

### **Använd försiktighetsåtgärder**

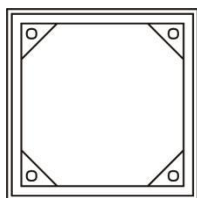
1. Användning med produkter som är tyngre än de angivna märkvikterna kan resultera i instabilitet som kan orsaka skada.
2. Fästen ska monteras enligt monteringsanvisningen. Felaktig installation kan leda till skador eller allvarliga personskador.
3. Se till att den stödjande ytan säkert kan bära den kombinerade vikten av utrustningen och all ansluten hårdvara och komponenter.
4. Använd de medföljande monteringskruvarna och **DRA INTE** åt monteringskruvarna för hårt.
5. Denna produkt innehåller små föremål som kan utgöra en kvävningsrisk vid förtäring. Håll dessa föremål borta från barn.
6. Denna produkt är endast avsedd för inomhusbruk. Användning av denna produkt utomhus kan leda till produktfel och personskada.

### **SPARA DENNA MANUAL**

## PRODUCT PARAMETER

Modell	Max belastad W åtta	Produktstorlek
<b>GZT61*30,5*85</b>	Topp 400 pund Golv 300 pund	307*612*862 mm
<b>GZT61*45*85</b>		610*450*860 mm
<b>GZT76*45*85</b>		760*450*860 mm
<b>GZT76*30.5JL</b>		762*304,8*863,6 mm
<b>GZT91*76JL</b>		910*760*860mm
<b>GZT76X60L</b>		760*600*850mm
<b>GZT90X60L</b>		900*600**850mm

## PARTS LIST



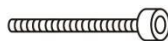
A x 1



B x 4



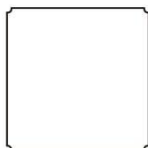
C x 12



D x 4



E x 1



F x 1



G x 4



H x 4



I x 4

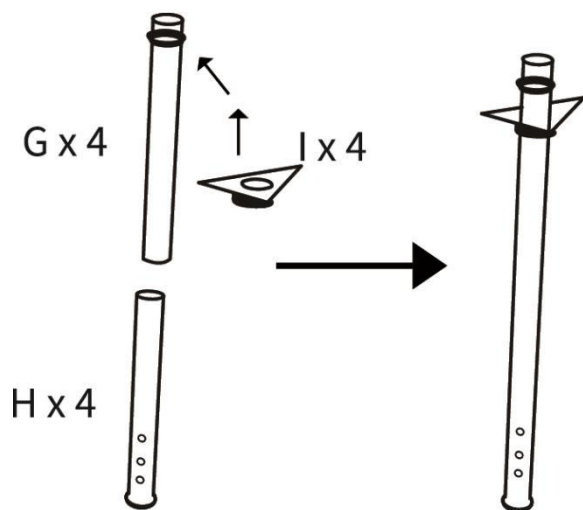


J x 4



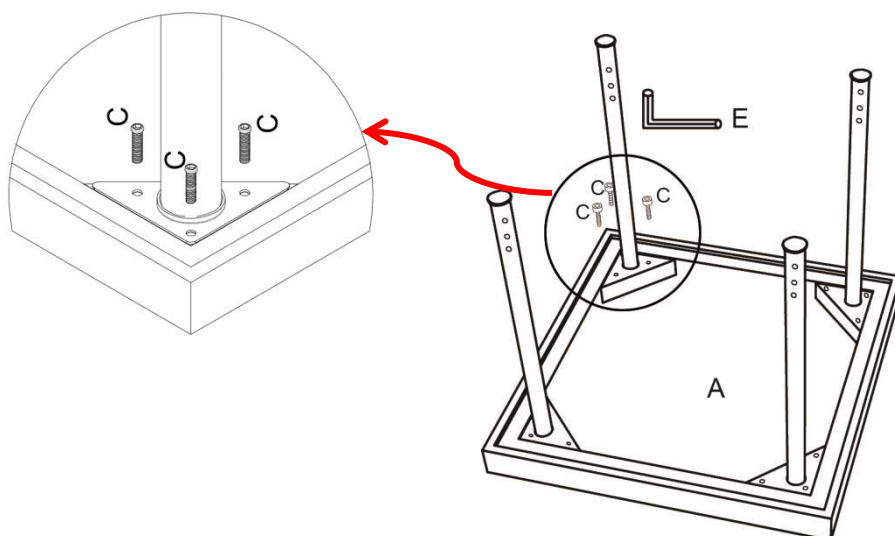
## ASSEMBLY STEP

### STEG 1

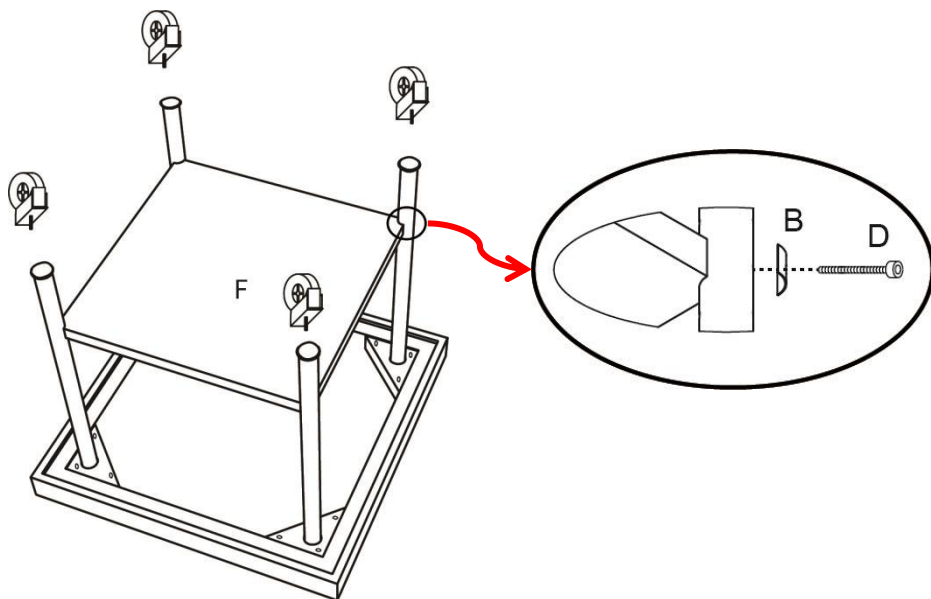


Obs: Bordsbenen finns i en sektion, hoppa över detta steg .

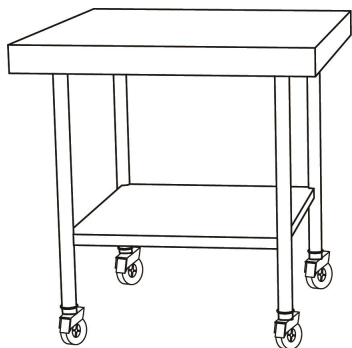
### STEG 2



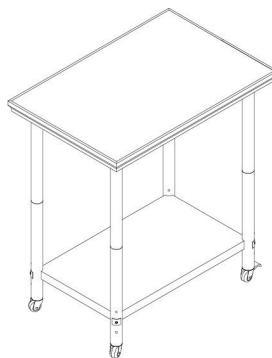
### STEP 3



### STEP 4



**GZT61\*30.5\*85**  
**GZT61\*45\*85**  
**GZT76\*45\*85**  
**GZT76\*30.5JL**  
**GZT91\*76JL**



**GZT76X60L**  
**GZT90X60L**

**Tillverkare:** Shanghaimuxinmuyeyouxiangongsi

**Adress:** Shuangchenglu 803nong11hao1602A-1609shi, baoshanqu, shanghai 200000 CN.

**Importerad till AUS:** SIHAO PTY LTD. 1 ROKEVA STREETEASTWOOD NSW 2122 Australien

**Importerad till USA:** Sanven Technology Ltd. Suite 250, 9166 Anaheim Place, Rancho Cucamonga, CA 91730

<b>EC</b>	<b>REP</b>
-----------	------------

E-CrossStu GmbH  
Mainzer Landstr.69, 60329 Frankfurt am Main.

<b>UK</b>	<b>REP</b>
-----------	------------

YH CONSULTING LIMITED.  
C/O YH Consulting Limited Office 147, Centurion House, London Road, Staines-upon-Thames, Surrey, TW18 4AX

**VEVOR**<sup>®</sup>

**TOUGH TOOLS, HALF PRICE**

**Teknisk Support och e-garanticertifikat**

**[www.vevor.com/support](http://www.vevor.com/support)**

# **VEVOR<sup>®</sup>**

**TOUGH TOOLS, HALF PRICE**

Técnico Soporte y certificado de garantía electrónica [www.vevor.com/support](http://www.vevor.com/support)

## **BANCO DE TRABAJO**

### **MANUAL DE usuario**

**GZT61\*30,5\*85**

**GZT61\*45\*85**

**TAMAÑO GZT76\*45\*85**

**GZT76\*30,5 JL**

**GZT91\*76JL**

**GZT76X60L**

**GZT90X60L**

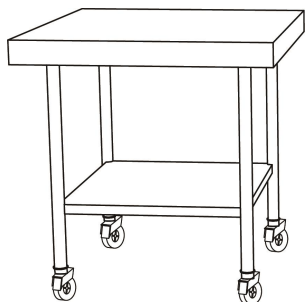
We continue to be committed to provide you tools with competitive price.

"Save Half", "Half Price" or any other similar expressions used by us only represents an estimate of savings you might benefit from buying certain tools with us compared to the major top brands and does not necessarily mean to cover all categories of tools offered by us. You are kindly reminded to verify carefully when you are placing an order with us if you are actually saving half in comparison with the top major brands.

# VEVOR®

TOUGH TOOLS, HALF PRICE

## WORKBENCH



**GZT61\*30.5\*85**

**GZT61\*45\*85**

**GZT76\*45\*85**

**GZT76\*30.5JL**

**GZT91\*76JL**



**GZT76X60L**

**GZT90X60L**

### NEED HELP? CONTACT US!

Have product questions? Need technical support? Please feel free to contact us:

**Technical Support and E-Warranty Certificate**

**[www.vevor.com/support](http://www.vevor.com/support)**

This is the original instruction, please read all manual instructions carefully before operating. VEVOR reserves a clear interpretation of our user manual. The appearance of the product shall be subject to the product you received. Please forgive us that we won't inform you again if there are any technology or software updates on our product.

## SAFETY INSTRUCTIONS

### **ADVERTENCIA:**

**Lea este material antes de utilizar este producto. No hacerlo puede provocar lesiones graves.**

### **Precauciones de montaje**

1. Realice el montaje únicamente de acuerdo con estas instrucciones. Un montaje inadecuado puede generar peligros.
2. Mantenga el área de reunión limpia y bien iluminada.
3. Mantenga a los transeúntes fuera del área durante el montaje.
4. No se reúna cuando esté cansado o bajo la influencia del alcohol, drogas o medicamentos.
5. Las capacidades del producto se aplican únicamente a productos ensamblados de forma correcta y completa.
6. Para obtener información adicional sobre las piezas que se enumeran en las páginas siguientes, consulte el diagrama de ensamblaje de este manual. Desembale y separe todas las piezas en un área de trabajo limpia.

### **Tome precauciones**

1. El uso de productos más pesados que los pesos nominales indicados puede provocar inestabilidad y causar posibles lesiones.
2. Los soportes deben instalarse según se especifica en las instrucciones de montaje. Una instalación incorrecta puede provocar daños o lesiones personales graves.
3. Asegúrese de que la superficie de apoyo sostenga de forma segura el peso combinado del equipo y todo el hardware y los componentes adjuntos.
4. Utilice los tornillos de montaje provistos y **NO APRIETE DEMASIADO** los tornillos de montaje.
5. Este producto contiene elementos pequeños que podrían provocar asfixia si se ingieren. Manténgalos fuera del alcance de los niños.
6. Este producto está diseñado para usarse solo en interiores. El uso de este producto en exteriores podría provocar fallas del producto y lesiones personales.

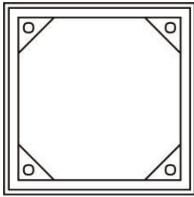
**GUARDE ESTE MANUAL**



## PRODUCT PARAMETER

Modelo	Peso máximo cargado	Tamaño del producto
<b>GZT61*30,5*85</b>	Las 400 libras más altas Pavimento 300 libras	307*612*862 mm
<b>GZT61*45*85</b>		610*450*860 mm
<b>TAMAÑO GZT76*45*85</b>		760*450*860 mm
<b>GZT76*30,5 JL</b>		762*304,8*863,6 mm
<b>GZT91*76JL</b>		910*760*860 mm
<b>GZT76X60L</b>		760*600*850 mm
<b>GZT90X60L</b>		900*600**850 mm

## PARTS LIST



A x 1



B x 4



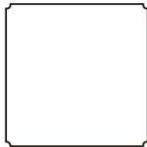
C x 12



D x 4



E x 1



F x 1



G x 4



H x 4



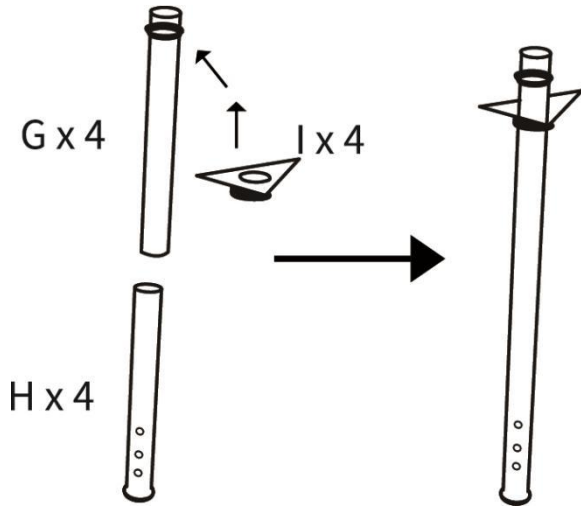
I x 4



J x 4

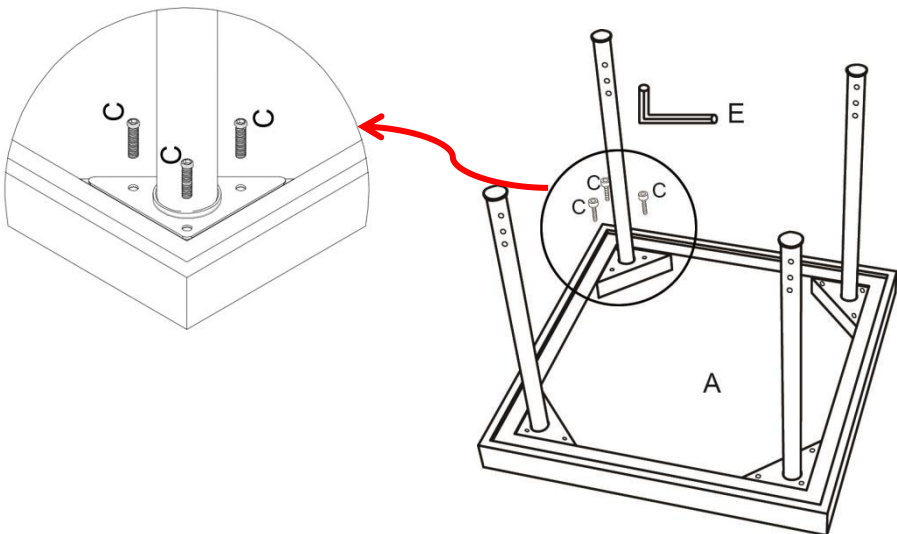
## ASSEMBLY STEP

### PASO 1

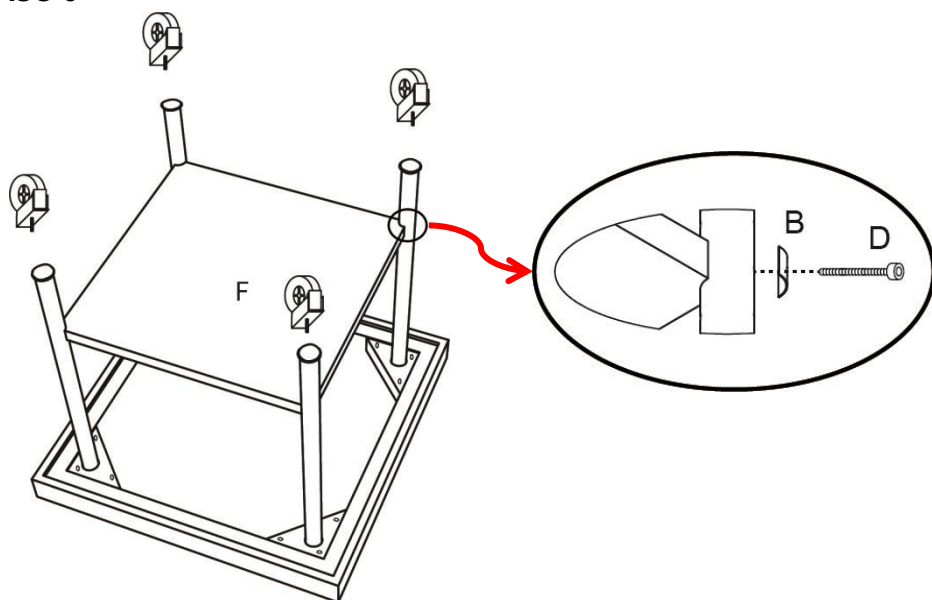


**Nota:** Las patas de la mesa están en una sola sección, omite este paso .

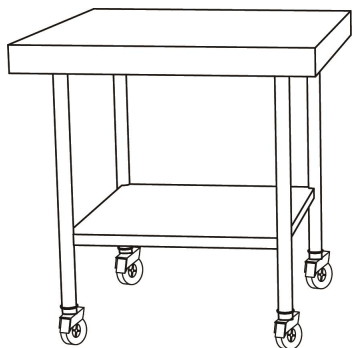
### PASO 2



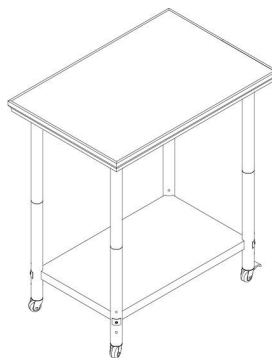
### PASO 3



### PASO 4



**GZT61\*30.5\*85**  
**GZT61\*45\*85**  
**GZT76\*45\*85**  
**GZT76\*30.5JL**  
**GZT91\*76JL**



**GZT76X60L**  
**GZT90X60L**

**Fabricante:** Shanghaimuxinmuyeyouxiangongsi

**Dirección:** Shuangchenglu 803nong11hao1602A-1609shi, baoshanqu, shanghai 200000 CN.

**Importado a AUS:** SIHAO PTY LTD. 1 ROKEVA STREETEASTWOOD NSW 2122 Australia

**Importado a EE. UU.:** Sanven Technology Ltd. Suite 250, 9166 Anaheim Place, Rancho Cucamonga, CA 91730

<b>EC</b>	<b>REP</b>
-----------	------------

E-CrossStu GmbH  
Mainzer Landstr.69, 60329 Frankfurt am Main.

<b>UK</b>	<b>REP</b>
-----------	------------

YH CONSULTING LIMITED.  
C/O YH Consulting Limited Office 147, Centurion House, London Road, Staines-upon-Thames, Surrey, TW18 4AX

**VEVOR<sup>®</sup>**

**TOUGH TOOLS, HALF PRICE**

**Técnico Certificado de soporte y garantía electrónica**

**[www.vevor.com/support](http://www.vevor.com/support)**