

VEVOR[®]

TOUGH TOOLS, HALF PRICE

Technical Support and E-Warranty Certificate

www.vevor.com/support

TABLE LEGS

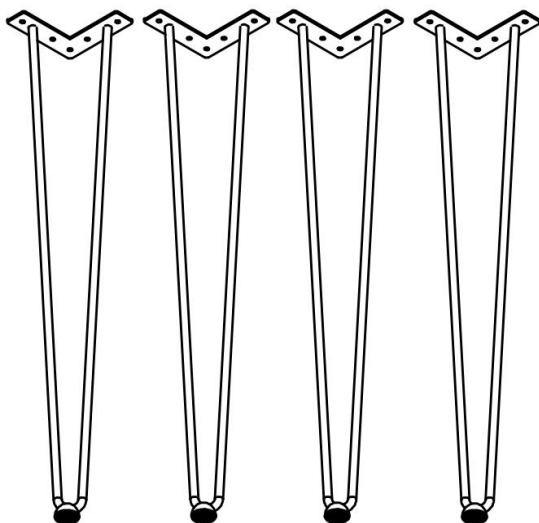
MODEL: T10569

We continue to be committed to provide you tools with competitive price.

"Save Half", "Half Price" or any other similar expressions used by us only represents an estimate of savings you might benefit from buying certain tools with us compared to the major top brands and does not necessarily mean to cover all categories of tools offered by us.

You are kindly reminded to verify carefully when you are placing an order with us if you are actually saving half in comparison with the top major brands.

MODEL: T10569



NEED HELP? CONTACT US!

Have product questions? Need technical support?
Please feel free to contact us:

Technical Support and E-Warranty Certificate
www.vevor.com/support

This is the original instruction, please read all manual instructions carefully before operating. VEVOR reserves a clear interpretation of our user manual. The appearance of the product shall be subject to the product you received. Please forgive us that we won't inform you again if there are any technology or software updates on our product.

SAFE INSTRUCTIONS

CAUTION: Carefully read instructions and procedures for safe operations. Failure to do so can result in serious injury.



WARNING:

1. Before using the table legs, ensure that the table legs is securely installed to prevent personal injury and accidents.
2. When using the table legs, do not overload the handrail to avoid personal injury or accident.
3. Do not draw, cut, or use sharp objects on the table legs to avoid damage.
4. If you need to disassemble the table legs, please follow the reverse steps to disassemble and store it properly.
5. This product is not a toy. Do not allow children to play with this item.

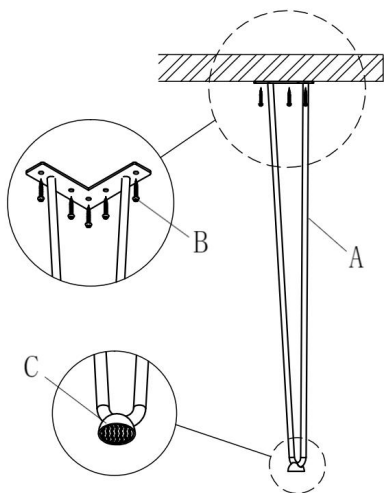
ASSEMBLY PRECAUTIONS

1. Assemble only according to these instructions. Improper assembly can create hazards.
2. Wear ANSI-approved safety goggles and heavy-duty work gloves during assembly.
3. Keep the assembly area clean and well-lit.
4. Keep bystanders out of the area during assembly.
5. Do not assemble when tired or under the influence of alcohol, drugs or medication.
6. Product capabilities apply to properly and completely assembled products only.
7. For additional information regarding the parts listed in the following pages, please refer to the Assembly Diagram of this manual. Unwrap and separate all parts in a clean work area.
8. For safety reasons, this hardware is recommended to be installed by 2 people.

SAVE THESE INSTRUCTIONS

Model	T10569-16	T10569-19	T10569-28
Height (inch/mm)	16 / 406.4	19 / 482.6	28 / 711.2
Number Of Legs(pcs)	4		
Maximum Bearing Capacity (lbs/kg)	500 / 227		
Colour	Black		

COMPONENTS



No.	Name	QTY.
A	Legs	4
B	Screws	22
C	Rubber Foot Mat	4

Manufacturer:

Shanghaimuxinmuyeyouxiangongsi

Address: Shuangchenglu

803nong11hao1602A-1609shi, baoshanqu,
shanghai 200000 CN.

Imported to AUS: SIHAO PTY LTD. 1 ROKEVA
STREETEASTWOOD NSW 2122 Australia

Imported to USA: Sanven Technology Ltd. Suite
250, 9166 Anaheim Place, Rancho Cucamonga,
CA 91730



E-CrossStu GmbH
Mainzer Landstr.69, 60329
Frankfurt am Main.



YH CONSULTING LIMITED.
C/O YH Consulting Limited
Office 147, Centurion
House, London Road,

VEVOR[®]
TOUGH TOOLS, HALF PRICE

Technical Support and E-Warranty Certificate

www.vevor.com/support