

VEVOR[®]

TOUGH TOOLS, HALF PRICE

Technical Support and E-Warranty Certificate www.vevor.com/support

FLOATING DESK USER MANUAL

MODEL:HZCD004

We continue to be committed to provide you tools with competitive price.

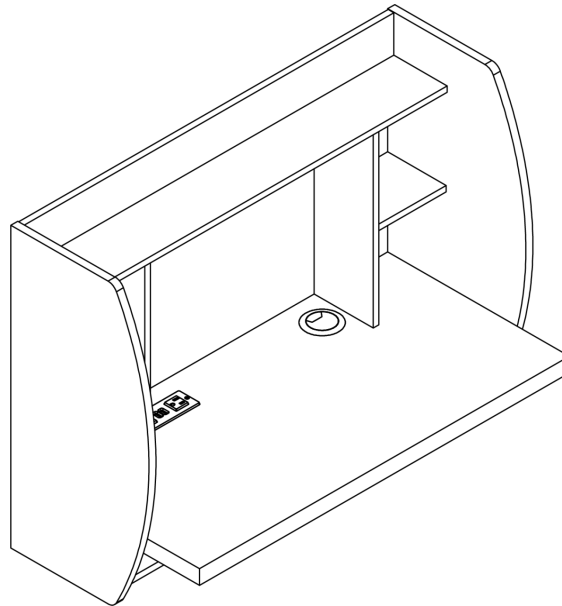
"Save Half", "Half Price" or any other similar expressions used by us only represents an estimate of savings you might benefit from buying certain tools with us compared to the major top brands and does not necessarily mean to cover all categories of tools offered by us. You are kindly reminded to verify carefully when you are placing an order with us if you are actually saving half in comparison with the top major brands.

VEVOR[®]

TOUGH TOOLS, HALF PRICE

FLOATING DESK

MODEL:HZCD004



NEED HELP? CONTACT US!

Have product questions? Need technical support? Please feel free to contact us:

Technical Support and E-Warranty Certificate
www.vevor.com/support

This is the original instruction, please read all manual instructions carefully before operating. VEVOR reserves a clear interpretation of our user manual. The appearance of the product shall be subject to the product you received. Please forgive us that we won't inform you again if there are any technology or software updates on our product.

SAFETY INSTRUCTIONS

WARNING:

Read this material before using this product. Failure to do so can result in serious injury.

Assembly precautions

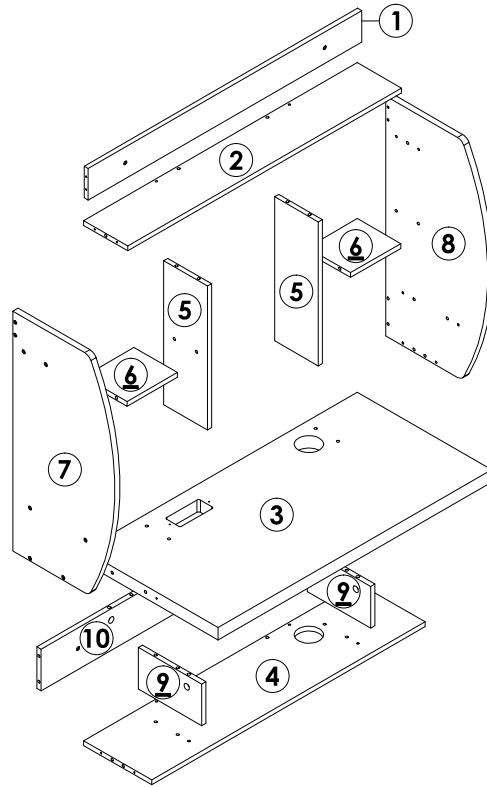
1. Assemble only according to these instructions. Improper assembly can create hazards.
2. Wear ANSI-approved safety goggles and heavy-duty work gloves during assembly.
3. Keep the assembly area clean and well-lit.
4. Keep bystanders out of the area during assembly.
5. Do not assemble when tired or when under the influence of alcohol, drugs or medication.
6. The product capabilities apply to properly and completely assembled products only.
7. Assemble on a flat, level, hard and smooth surface capable of safely supporting the Floating Desk.
8. For additional information regarding the parts listed in the following pages, please refer to the Assembly Diagram of this manual. Unwrap and separate all parts in a clean work area.

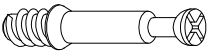
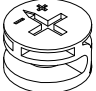
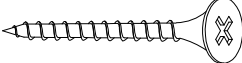


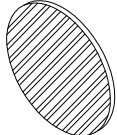
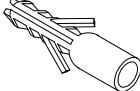
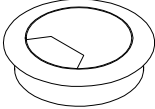
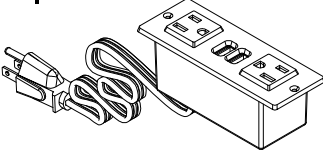
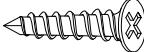
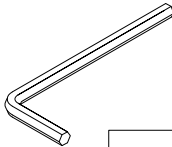

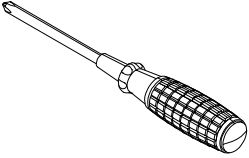
Use precautions

1. **DO NOT SIT OR STAND ON THIS ITEM.**
2. This product is not a toy. Do not allow children to play with or near this item.
3. Do not exceed weight capacities.
4. Use as intended only.
5. Inspect before every use; do not use if parts are loose or damaged.

SAVE THIS MANUAL

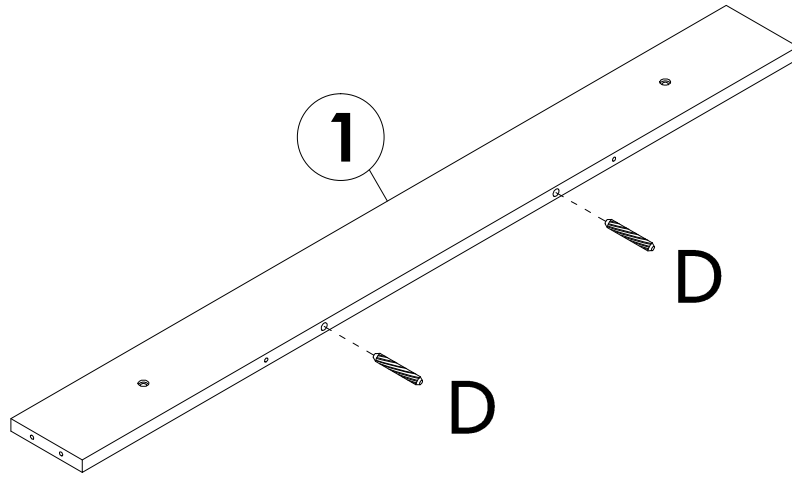
PARTS LIST



<p>A</p>  <p>M6x35mm 4PCS</p>	<p>B</p>  <p>Ø15x9mm 4PCS</p>	<p>C</p>  <p>M4x40mm 18+2PCS</p>	<p>D</p>  <p>Ø6x30mm 44+2PCS</p>
<p>E</p>  <p>M5x55mm 4PCS</p>	<p>F</p>  <p>Ø20mm 20+2PCS</p>	<p>G</p>  <p>M8x40mm 4PCS</p>	<p>H</p>  <p>2PCS</p>
<p>I</p>  <p>1PC</p>	<p>J</p>  <p>M3x14mm 2PCS</p>	<p>K</p>  <p>1PC</p>	<p>L</p>  <p>M5x60mm 4PCS</p>
 <p>1PC</p>			

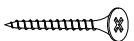
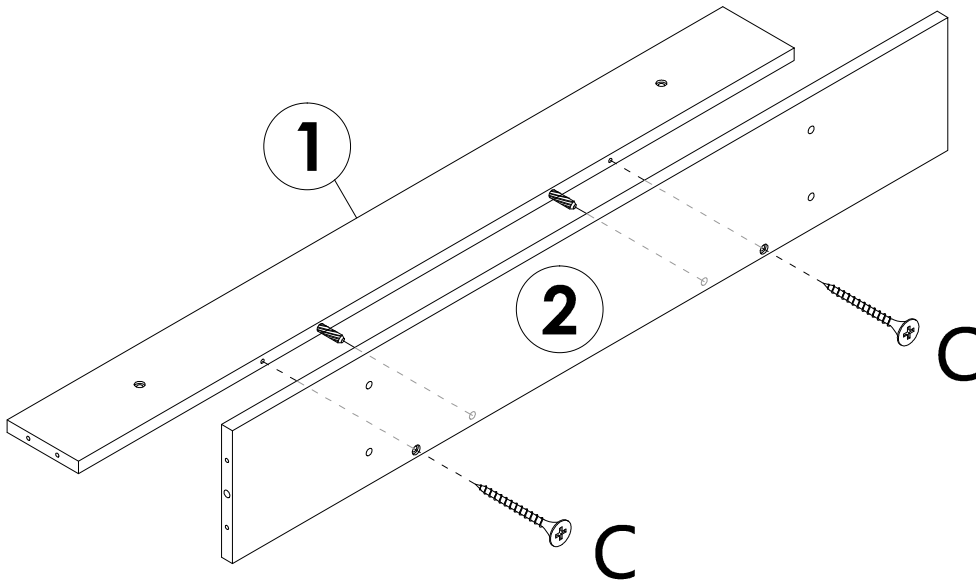
INSTRUCTIONS

STEP 1



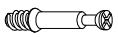
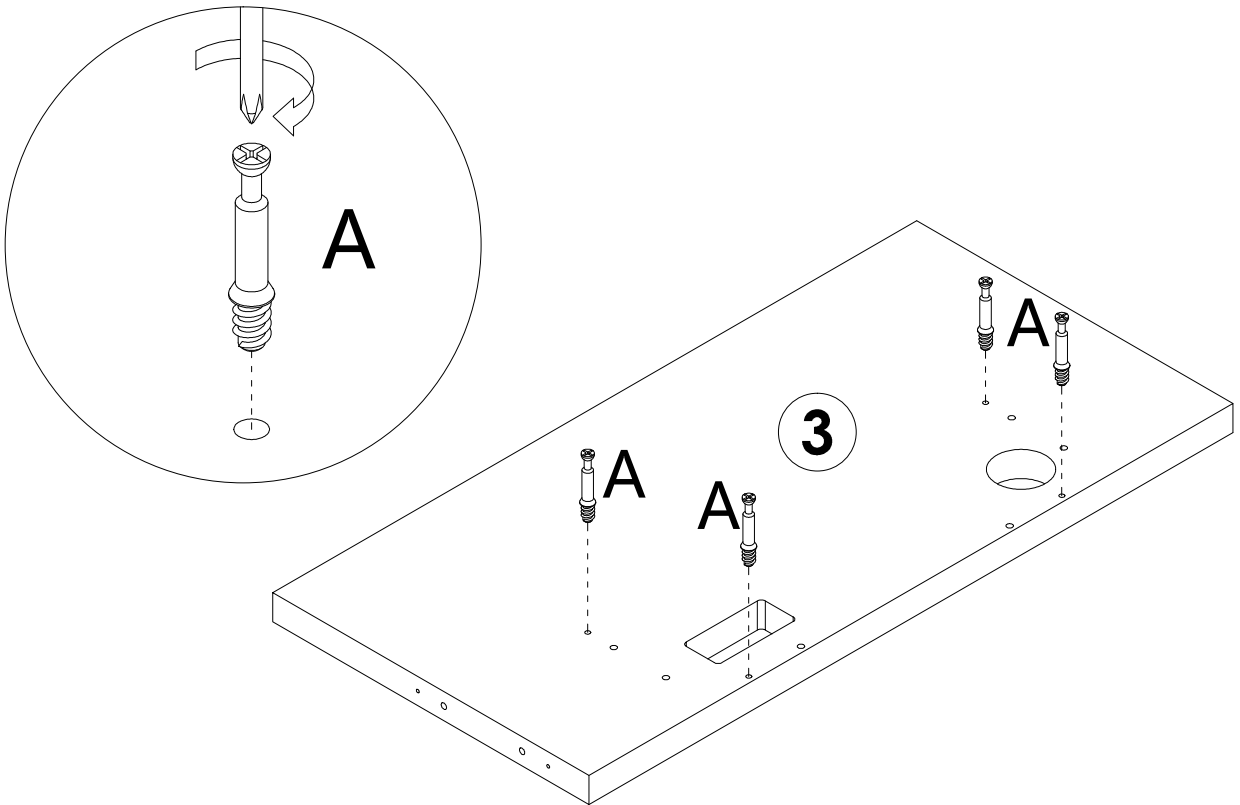
D x 2PCS

STEP 2



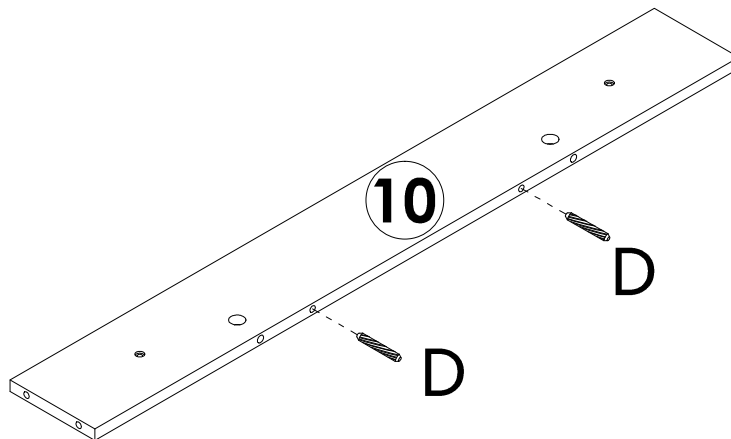
C x 2PCS

STEP 3



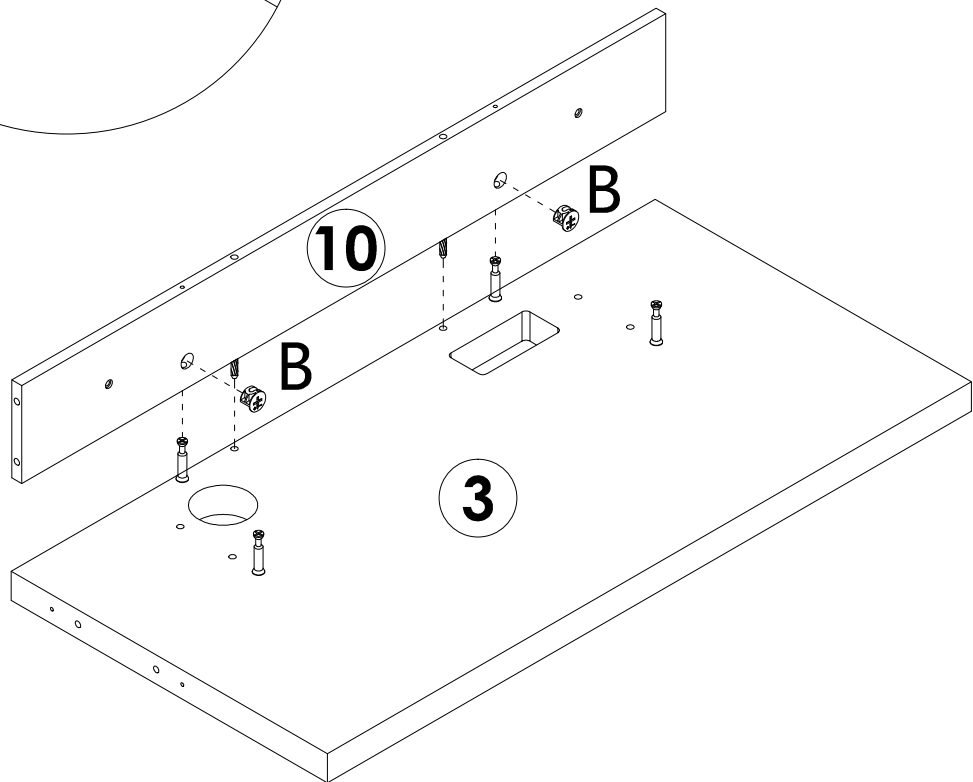
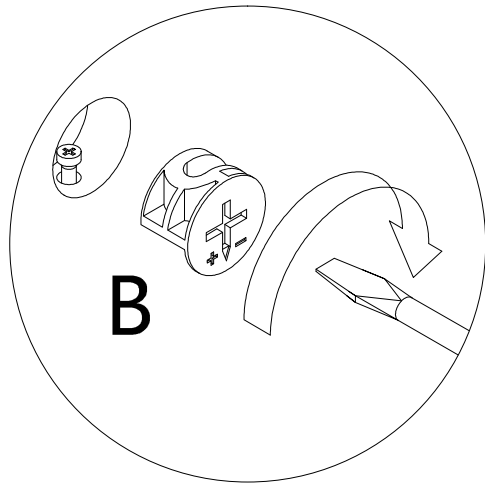
A x 4PCS

STEP 4



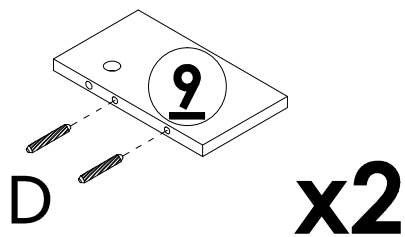
D x 2PCS

STEP 5



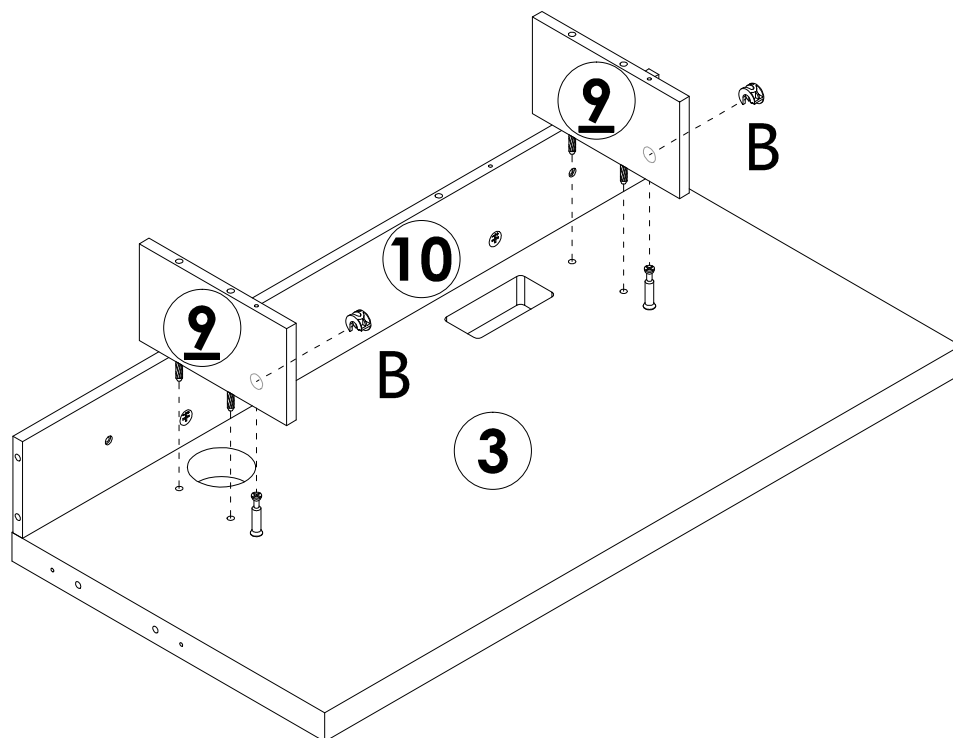
B x 2PCS

STEP 6



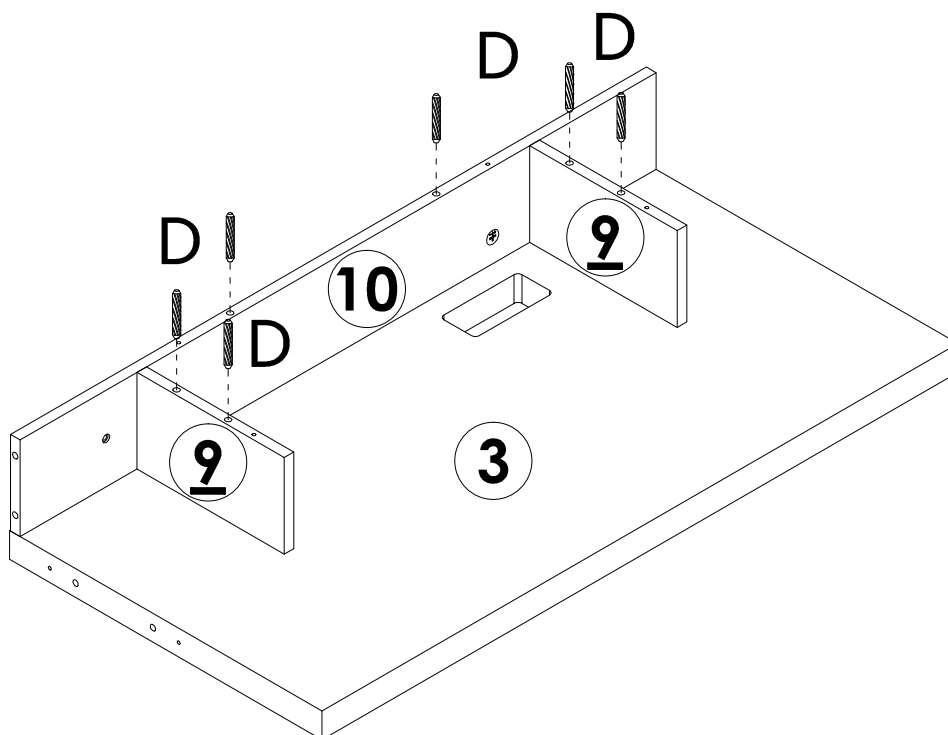
D x 4PCS

STEP 7



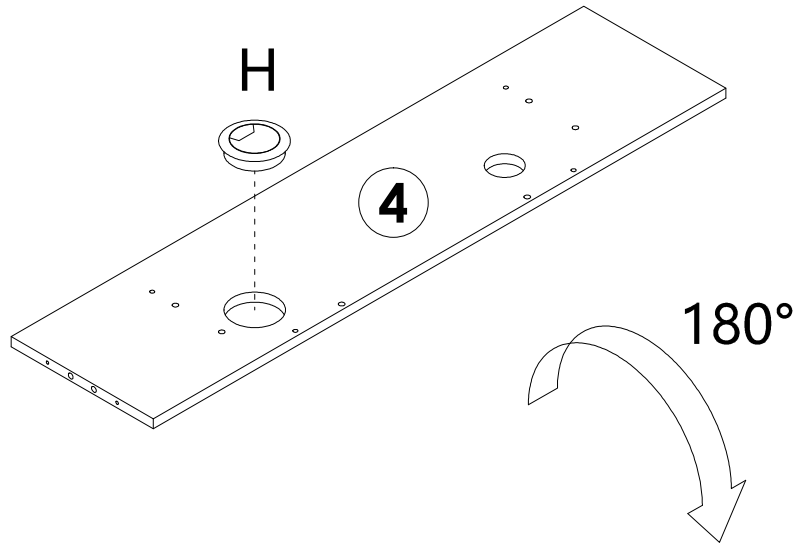
B x 2PCS

STEP 8



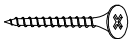
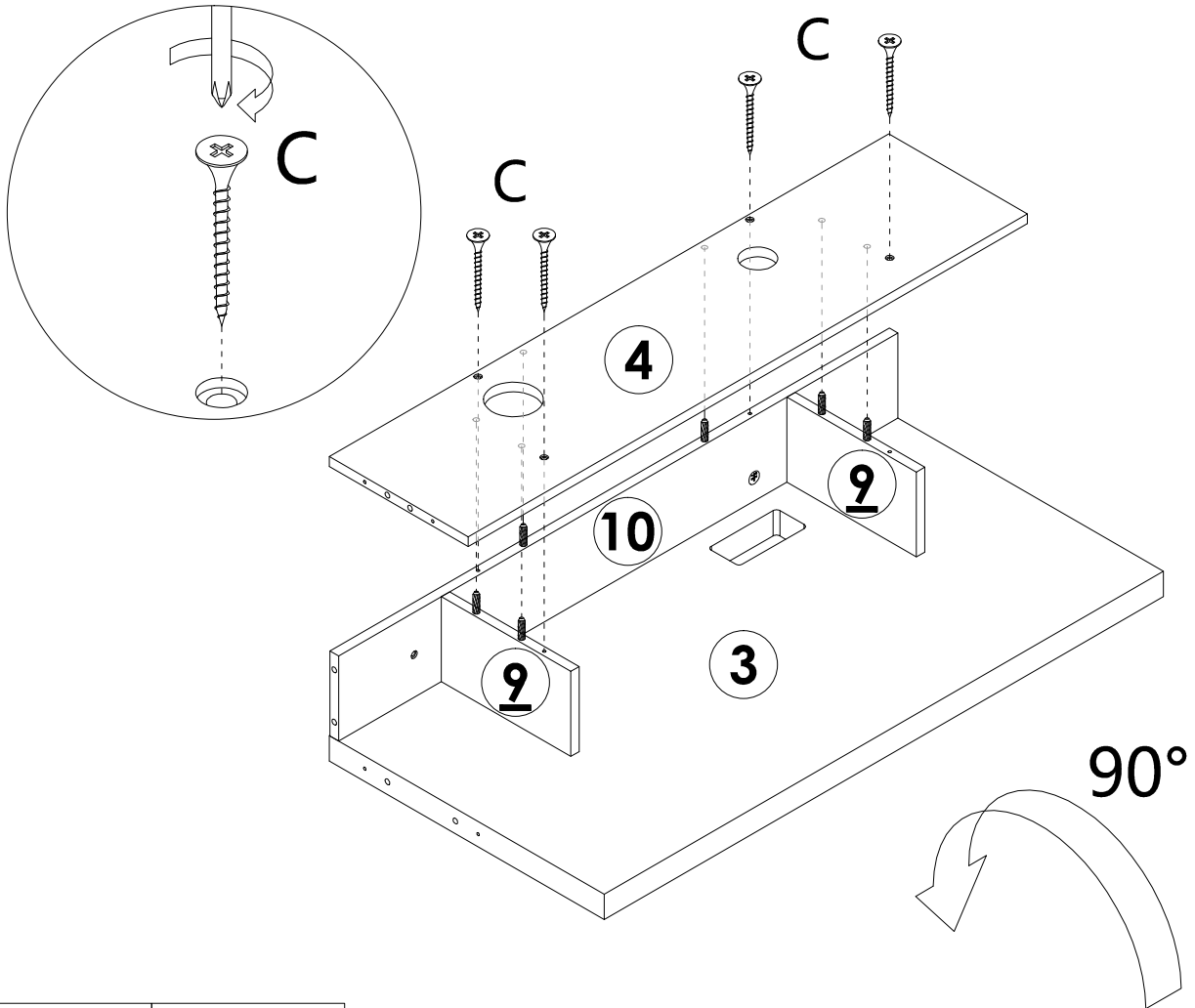
D x 6PCS

STEP 9



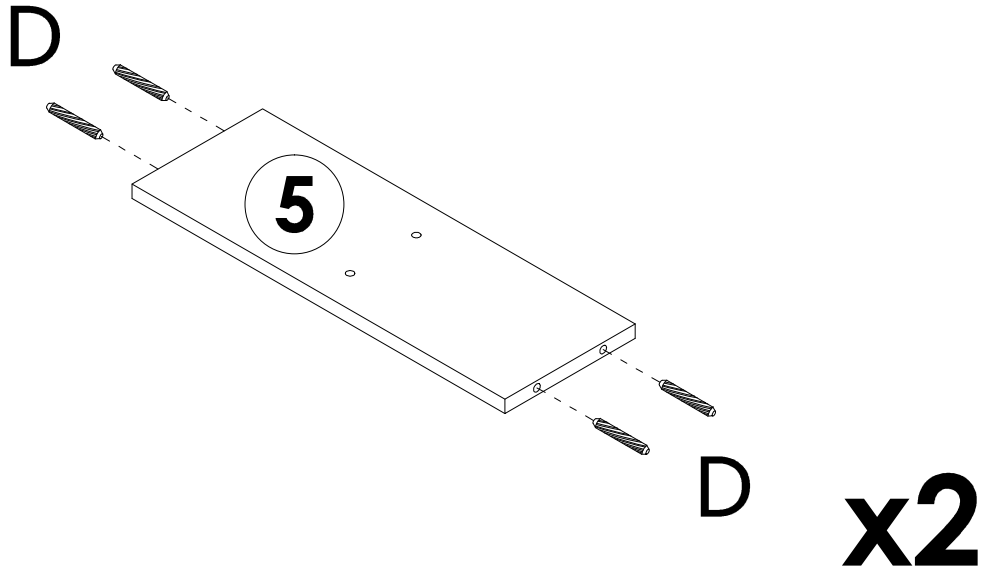
H x 1PC

STEP 10



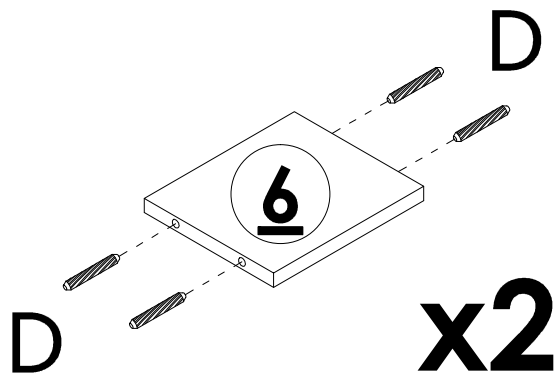
C x 4PCS

STEP 11



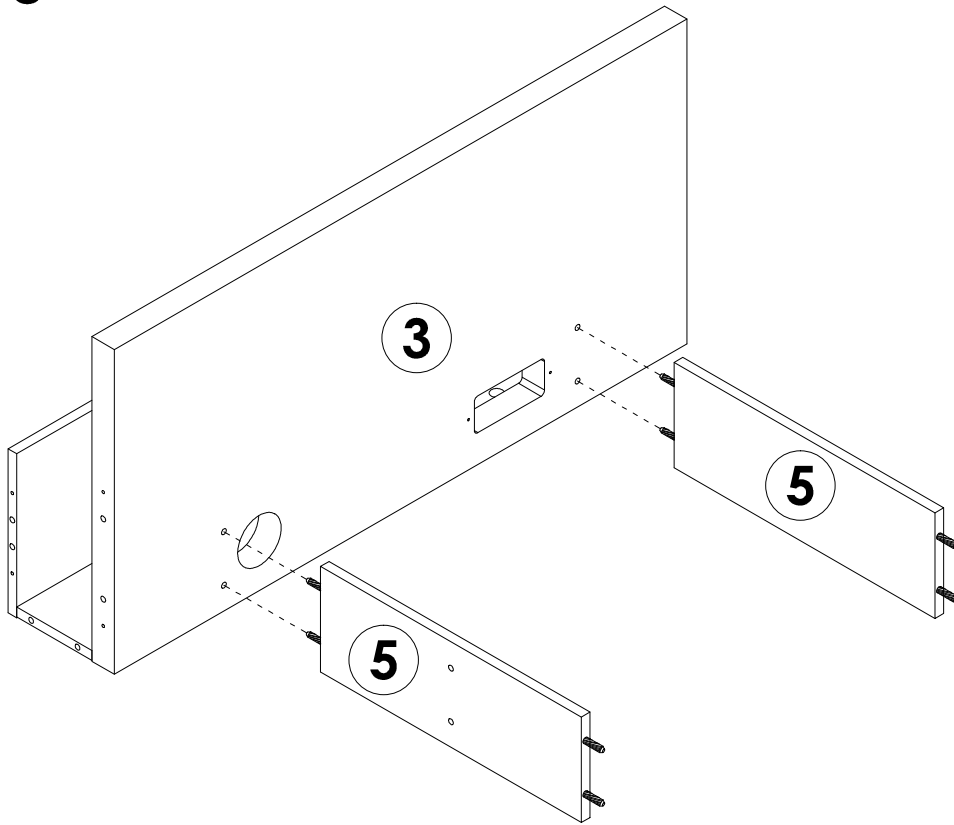
D x 8PCS

STEP 12

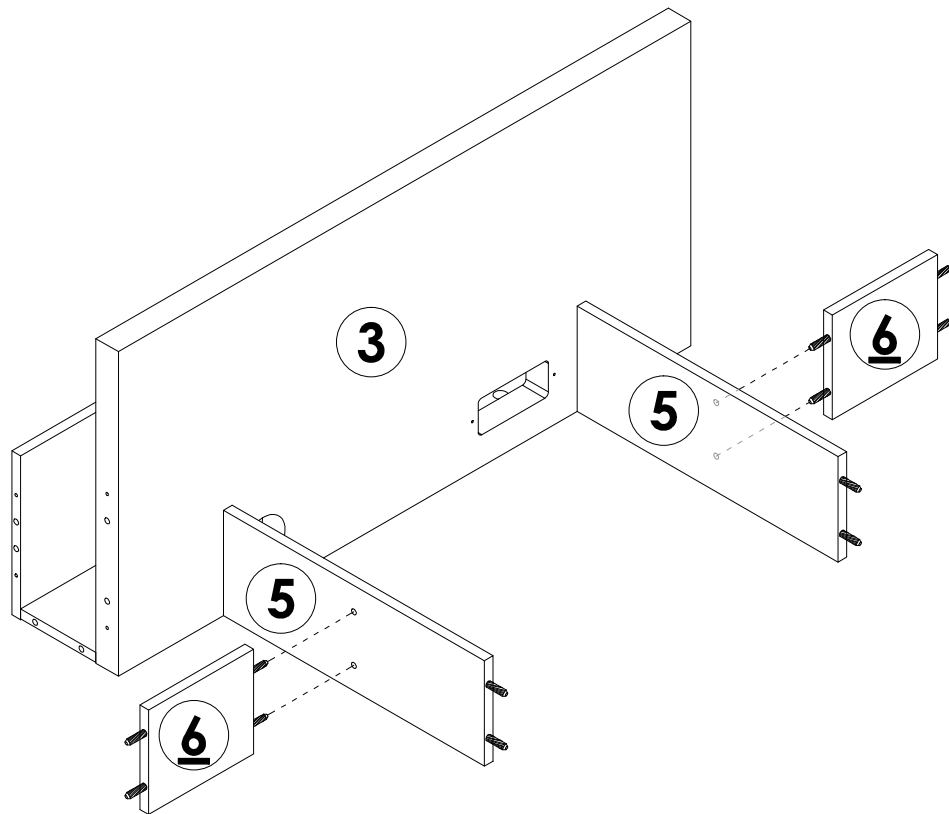


D x 8PCS

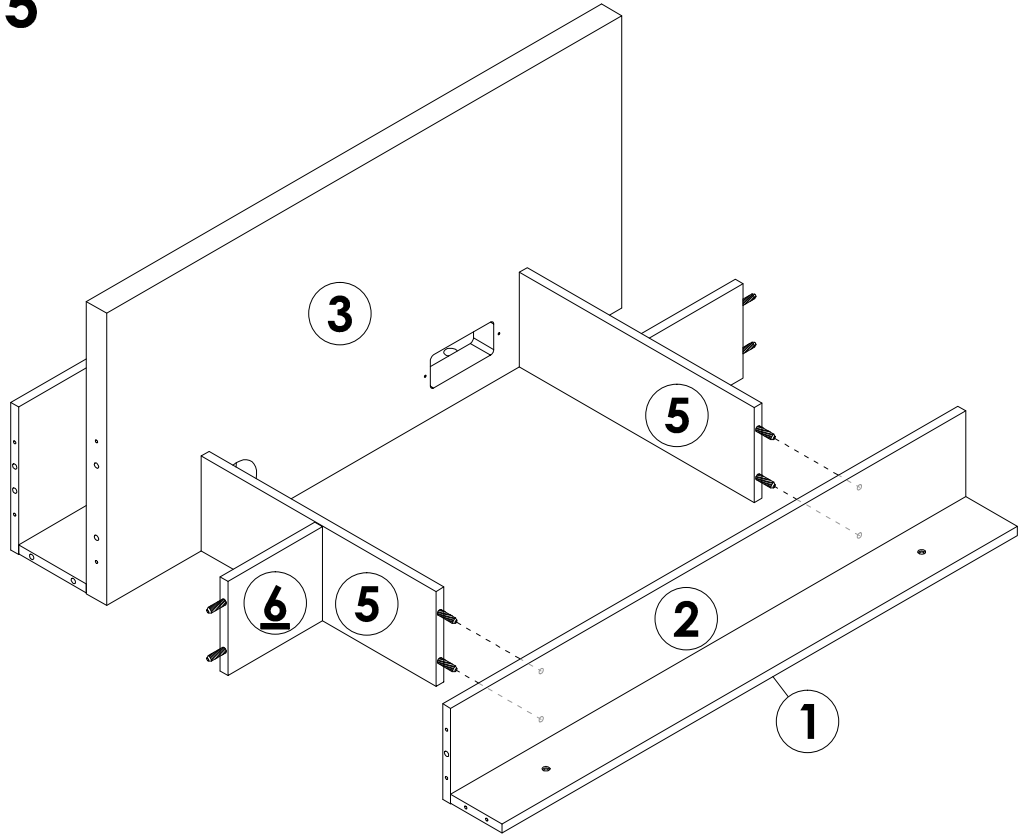
STEP 13



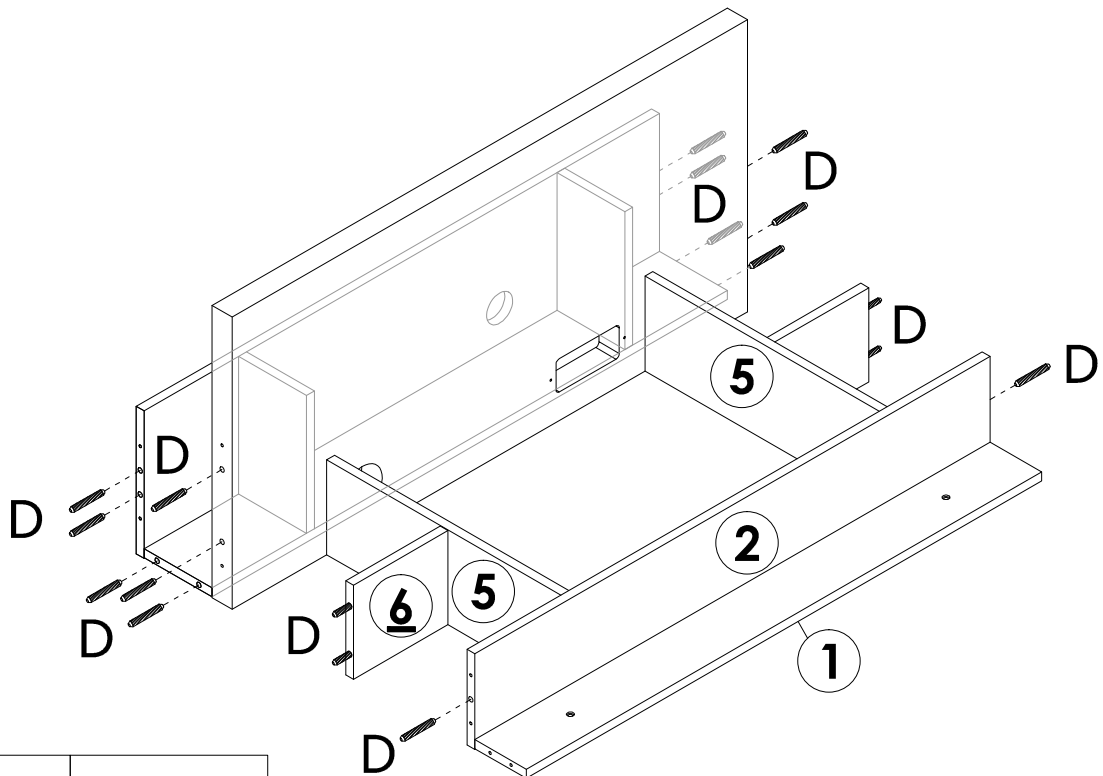
STEP 14



STEP 15

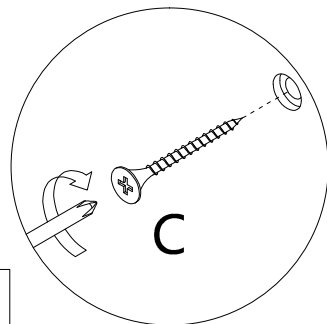
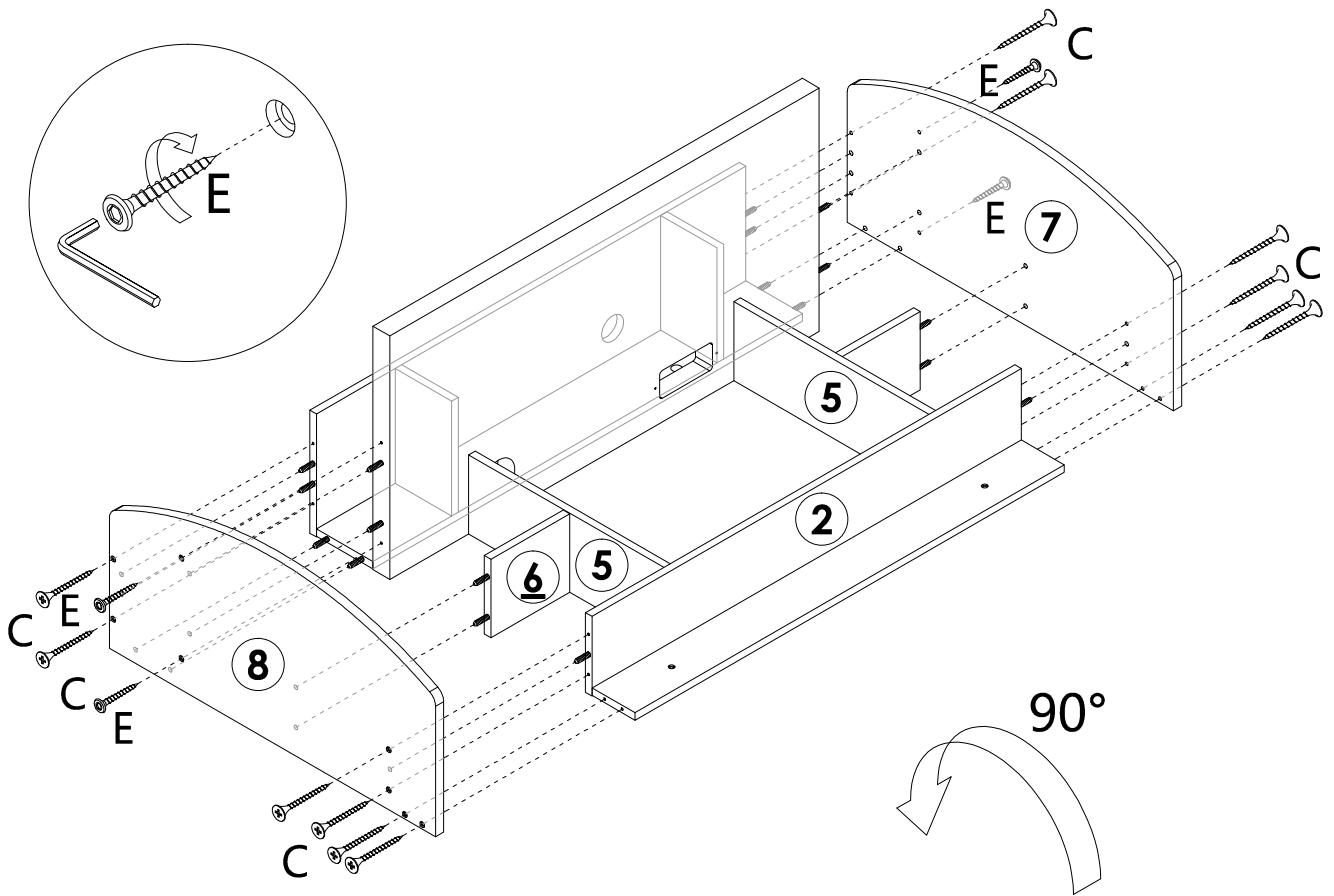
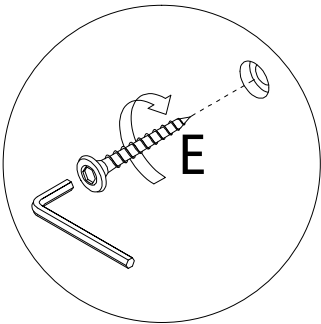
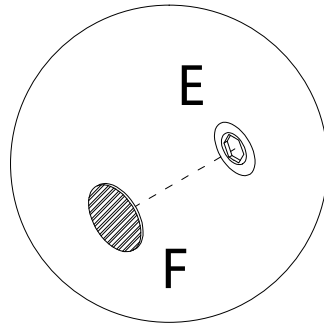
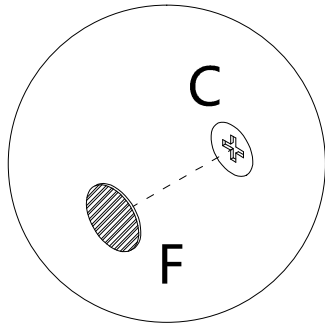


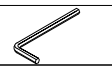

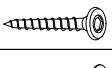
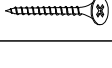
STEP 16



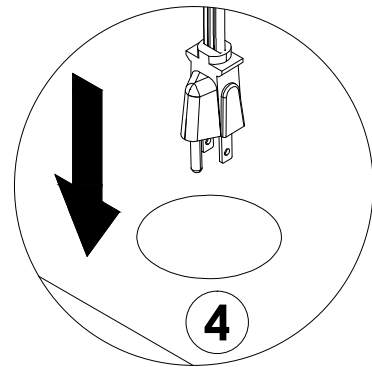
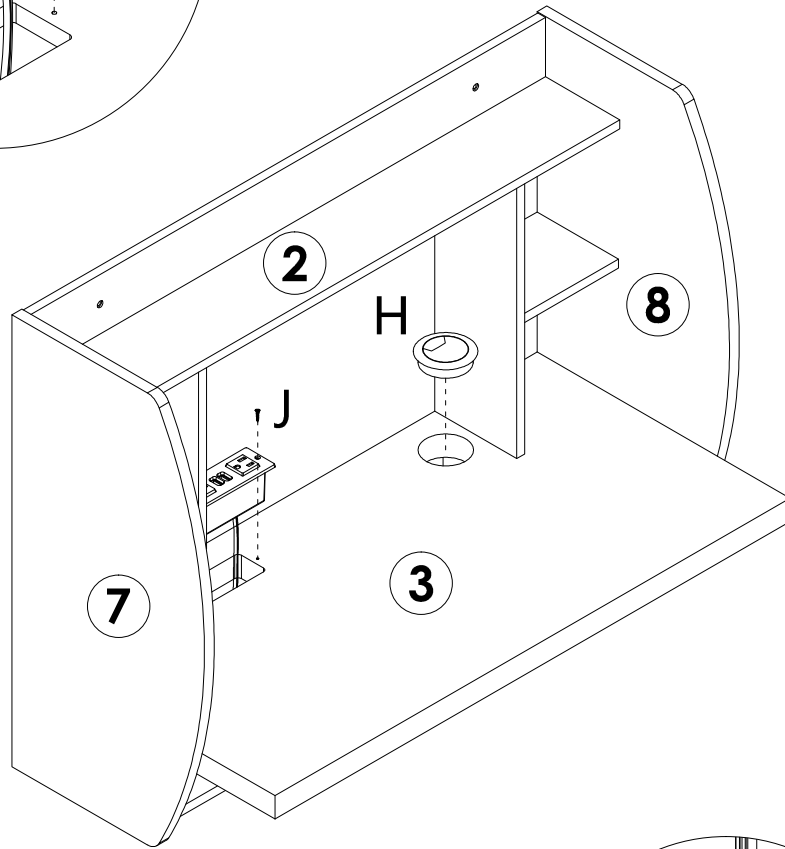
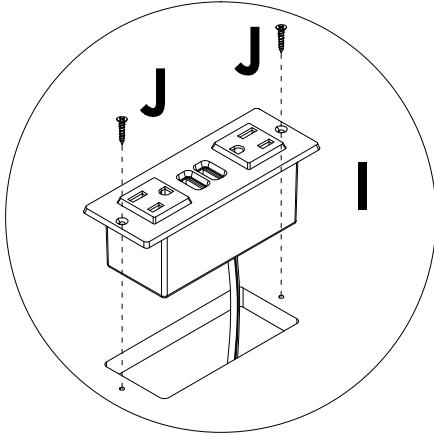
D x 14PCS

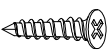


STEP 17



	K x 1PC
	F x 16PCS
	E x 4PCS
	C x 12PCS

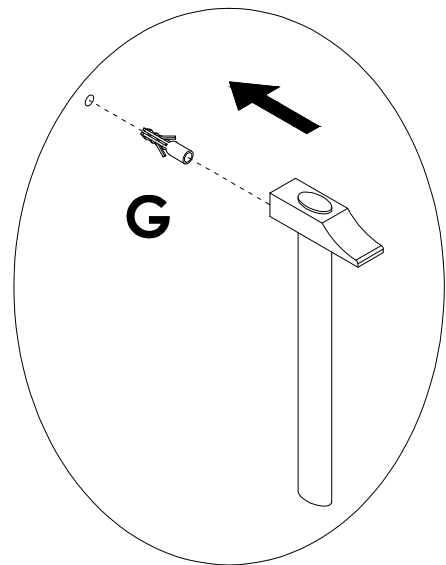
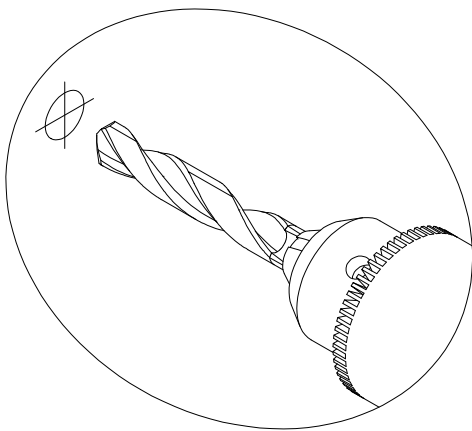
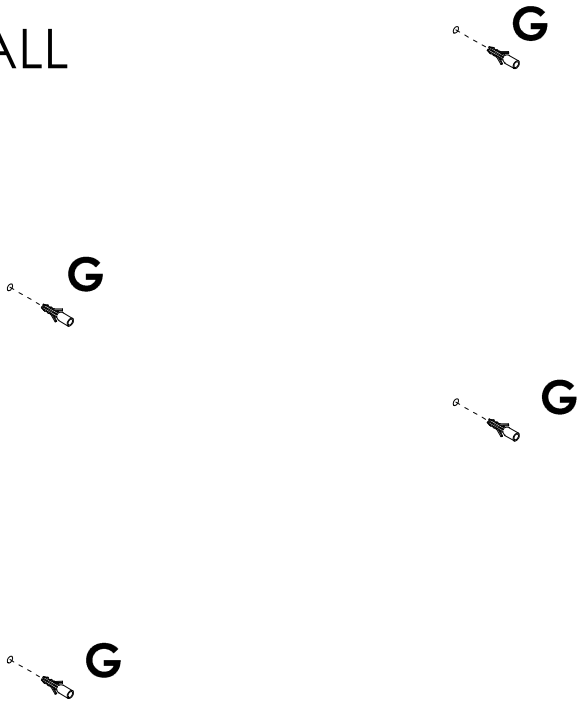
STEP 18



	J x 2PCS
	I x 1PC
	H x 1PC

STEP 19

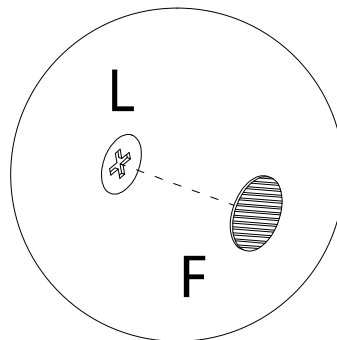
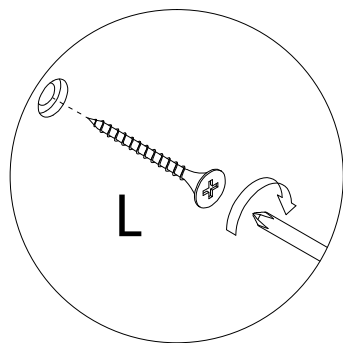
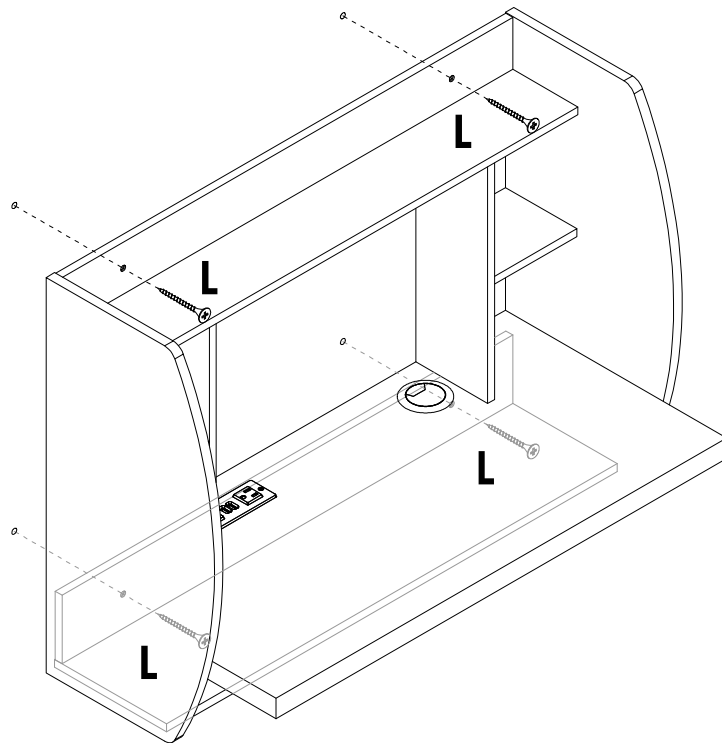
WALL


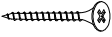


G x 4PCS

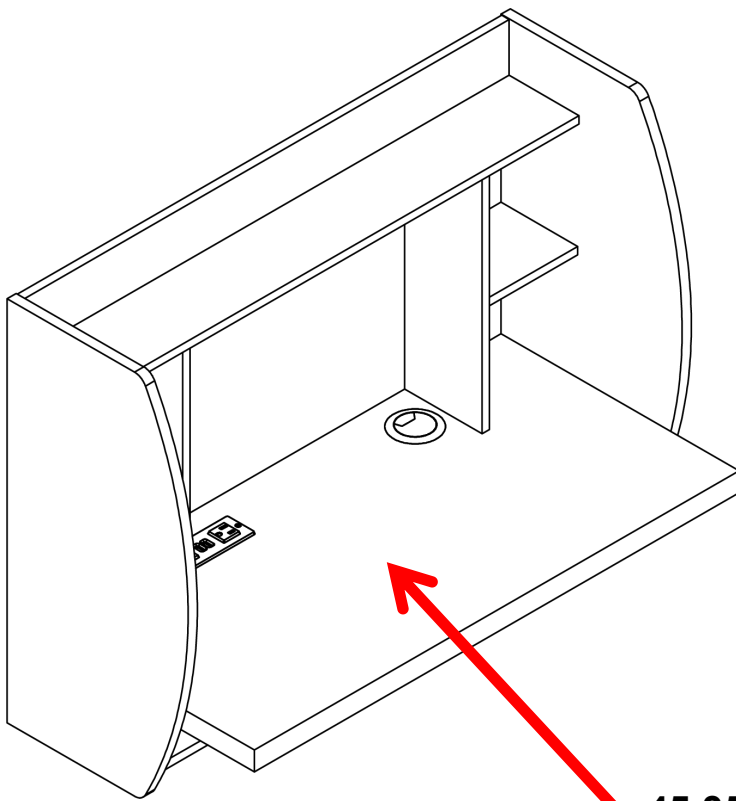
STEP 20

WALL



	F x 4PCS
	L x 4PCS

COMPLETION



45.35kg, Even Distribution

PRODUCT PARAMETER

Model	HZCD004
Safe Loading Weight	45.35kg
Voltage	AC 120V 60Hz
Wattage	1500W
Product Size	820*390*600mm

Address: Shuangchenglu 803nong11hao1602A-1609shi, baoshanqu, shanghai 200000 CN.

Imported to USA: Sanven Technology Ltd.Suite 250, 9166 Anaheim Place, Rancho Cucamonga, CA 91730

VEVOR[®]
TOUGH TOOLS, HALF PRICE

Technical Support and E-Warranty Certificate
www.vevor.com/support