

VEVOR[®]

TOUGH TOOLS, HALF PRICE

Technical Support and E-Warranty Certificate

www.vevor.com/support

ELECTRIC PORTABLE HEATER

MODEL: KPT-150 0596(01)YL / KPT-2000 5186(01)L

We continue to be committed to provide you tools with competitive price.

"Save Half", "Half Price" or any other similar expressions used by us only represents an estimate of savings you might benefit from buying certain tools with us compared to the major top brands and does not necessarily mean to cover all categories of tools offered by us. You are kindly reminded to verify carefully when you are placing an order with us if you are actually saving half in comparison with the top major brands.

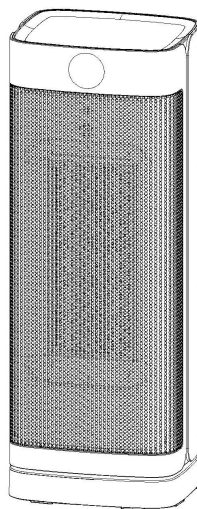
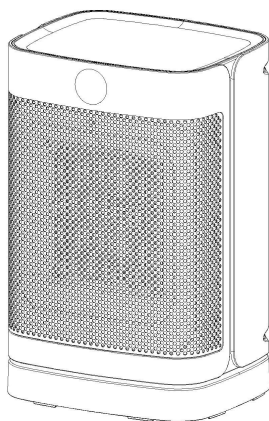
VEVOR[®]

TOUGH TOOLS, HALF PRICE

ELECTRIC PORTABLE HEATER

MODEL:KPT-150 0596(01)YL

MODEL:KPT-2000 5186(01)L



NEED HELP? CONTACT US!

Have product questions? Need technical support? Please feel free to contact us:

Technical Support and E-Warranty Certificate
www.vevor.com/support

This is the original instruction, please read all manual instructions carefully before operating. VEVOR reserves a clear interpretation of our user manual. The appearance of the product shall be subject to the product you received. Please forgive us that we won't inform you again if there are any technology or software updates on our product.

IMPORTANT SAFETY INFORMATION

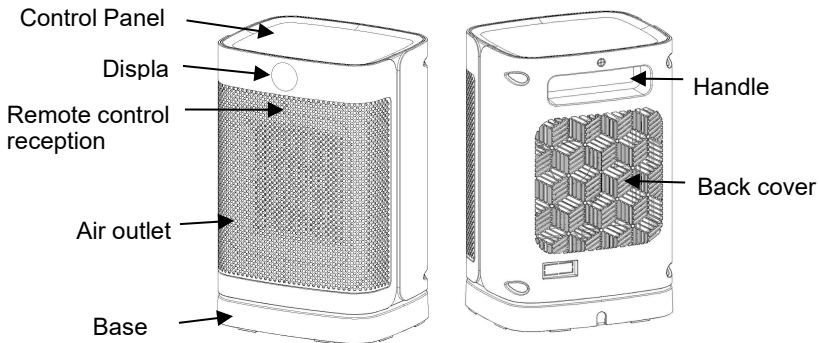
- To ensure the best performance from your heater, please read and save the following instructions.
- **WHEN USING ELECTRICAL APPLIANCES, BASIC PRECAUTIONS SHOULD ALWAYS BE FOLLOWED TO REDUCE THE RISK OF FIRE, ELECTRIC SHOCK, AND INJURY TO A PERSON, INCLUDING THE FOLLOWING:**
- Read all instructions before using this heater.
- This heater is hot when in use. To avoid burns, do not let bare skin touch hot surfaces. Use a grip handle when provided.
- Keep combustible materials such as drapes, furniture, pillows, bedding, papers, clothes, and curtains at least three (3) feet (0.9m) from the front of the heater and keep them at least 1 foot (0.3m) the sides and rear of the heater.
- Extreme caution is necessary when the heater is used by or near children or invalids and whenever the heater is left operating and unattended.
- Always unplug the heater when not in use.
- Do not use any heater with a damaged cord or plug, or after the heater malfunctions or has been dropped or damaged in any manner, return the heater to the manufacturer for examination, electrical or mechanical adjustment, or repair. (See Warranty for information).
- Do not use outdoors.
- This heater is not used in bathrooms, laundry areas, or other similar indoor locations. Never locate the heater where it may fall into a bathtub or other water container.
- Do not run the cord under the carpeting. Do not cover the cord with throw rugs, runners, or the like. Arrange the cord away from the traffic area where it will not be tripped over.
- To disconnect the heater, press standby “ ”to enter standby mode, then remove the plug from the outlet.
- Do not insert or allow foreign objects to enter any ventilation or exhaust opening, as this may cause electric shock, fire, or damage to the heater.
- To prevent a possible fire, do not block air intakes or exhaust in any

manner. Do not use on soft surfaces, like a bed, where openings may become blocked.

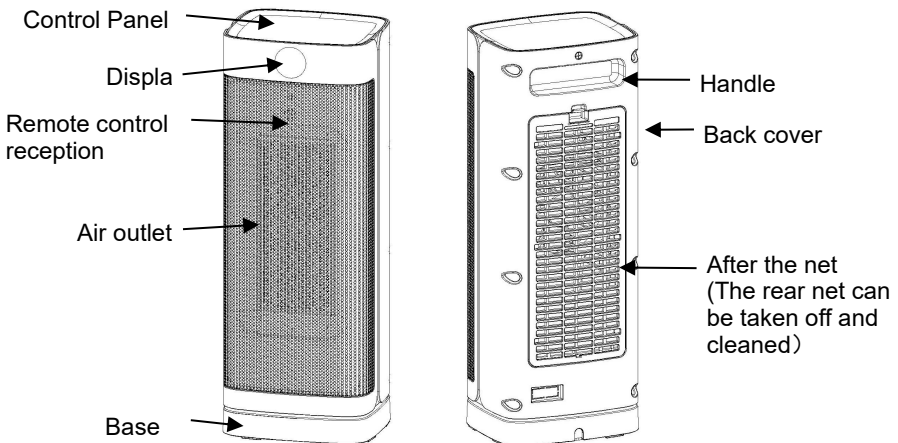
- A heater has hot and arcing or sparking parts inside. Do not use it in areas where gasoline, paint, or flammable liquids are used or stored.
- Use this heater only as directed in this manual. Any other use not recommended by the manufacturer may cause fire, electric shock, or injury to persons.
- Always plug heaters directly into a wall outlet/receptacle. Never use an extension cord or relocatable power tap (outlet/power strip).

If the heater will not operate: See specific instructions in the Safety Feature explained in this manual.

OVERVIEW: KPT-150 0596(01)L



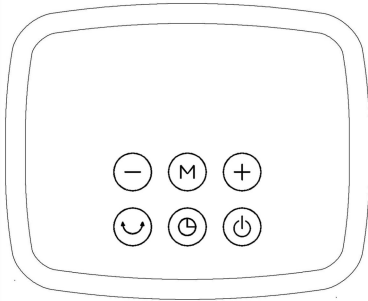
KPT-2000 5186(01)L



OPERATION

1. Before inserting the plug into an electrical outlet, make sure that the electrical supply in your area matches that on the rating label on the unit.
2. When plugged in, the unit goes into Standby mode.

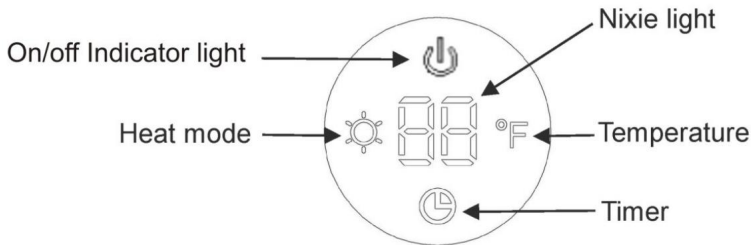
Control panel



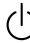
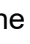



Control Panel




Remote



Display Panel

- a) Press “  ”, switch to fan function, Nixie light display “ 1 ”, Press “  ” again, the unit will turn off .(If heating, press the  , the fan delay of 30 seconds) .
- b) Press “ M ”, switch to low power, “  ” display, and Nixie light display “ 2 ”, press it again, turns to High power, Nixie light display “ 3 ”, press it third time, it turns to fan function.
- c) TIMER: Press “  ” repeatedly to set a period after which the heater will turn itself off (between 1 hour and 12 hours, in steps of 1 hour)
During timer operation, the remaining operating time is displayed, until the heater turns itself off. Pressing the timer button once more after the

display shows 00 hours will cancel the timer.

d)OSC: Press “  ” to activate oscillation. Press again to cancel.

e)“+”& “-” Press “+”& “-” to adjust thermostat control .Temperature setting from 50-95°F. “+” to increase the desired temperature and “-“ to decrease the desired temperature.

f)When the product is in a working state, the screen will be automatically extinguished after 1 minute.

WARNING

- **INGESTION HAZARD:** This product contains a button cell or coin battery.
- **DEATH** or serious injury can occur if ingested.
- A swallowed button cell or coin battery can cause Internal Chemical **Burns** in as little as 2 hours.
- **KEEP** new and used batteries **OUT OF REACH OF CHILDREN**
- **Seek immediate medical attention** if a battery is suspected to be swallowed or inserted inside any part of the body.



- ★Remove and immediately recycle or dispose of used batteries according to local regulations and keep away from children. Do NOT dispose of batteries in household trash or incinerate.
- ★Even used batteries may cause severe injury or death.*Call a local poison control center for treatment information.
- ★Replace the battery with 1“CR2025” button cell battery and dispose of the used battery properly and in accordance with local law and ordinances.
- ★The nominal battery voltage of the "CR2025" button battery is 3.0V.
- ★Non-rechargeable batteries are not to be recharged.
- ★Do not force discharge, recharge, disassemble, heat above 70°C(158°F) or incinerate. Doing so may result in injury due to venting, leakage or explosion resulting in chemical burns.
- ★Ensure the batteries are installed correctly according to polarity (+ and -).

- ★Do not mix old and new batteries, different brands or types of batteries such as alkaline, carbon-zinc, or rechargeable batteries.
- ★Remove and immediately recycle or dispose of batteries from equipment not used for an extended period of time according to local regulations.
- ★Always completely secure the battery compartment. If the battery compartment does not close securely, stop using the product, remove the batteries, and keep them away from children.

Warning:

The heater will remain hot for some time after it is turned off; handle with care.

Remote control

Please use Lithium battery CR2025 3V.

NOTE: the remote control buttons perform the same functions as those on the control panel on the unit.

TIP-OVER PROTECTION

This heater is protected with a safety switch that turns off the appliance automatically when the heater falls over, or is at an excessive angle from the horizontal. This helps prevent accidents, and the heater will resume operation when it is put back upright.

THERMAL CUTOFF

This heater is protected with thermal cutoff protection that switches off the appliance automatically in case of severe overheating. In this case, unplug the appliance, wait about 30 minutes for it to cool and remove any possible cause of overheating, e.g., something covering the heater. Check for damage to the appliance, the cord and the plug. If there is no damage, plug the unit back in and switch it on as described above. If the heater still does not turn on, please contact Customer Service for assistance.

CLEANING & MAINTENANCE

- Before undertaking any cleaning or maintenance on the appliance, disconnect it from the power supply.
- For cleaning, it is recommended to use a soft, moist rag and neutral detergent. Do not use an abrasive cloth or devices which could affect the appearance of the appliance. Check that the hot air outlet and the ventilation inlet are free of dust and dirt.
During cleaning, be careful not to touch the heating elements.
- In case of breakdown and/or poor functioning of the appliance, disconnect the appliance from the power supply and contact an authorized repairer.

SPECIFICATIONS

Model No	KPT-150 0596(01)YL	KPT-2000 5186(01)L
Voltage	AC120V	AC120V
Frequency	60Hz	60Hz
Max Power	1500W	1500W
Temperature	50-95°F	50-95°F

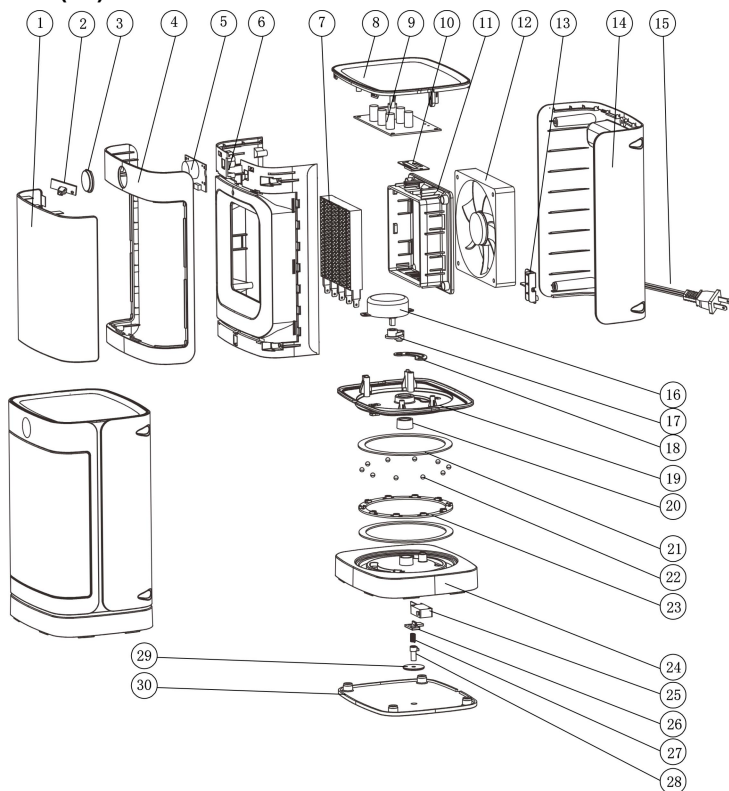
TROUBLESHOOTING

If the heater does not operate, please check the following:

1. Check if the power cord is plugged into an electrical outlet. If not, plug the unit into an appropriate outlet.
2. Check if the electricity to the outlet is working.
3. Make sure the heater is placed on a flat, solid surface.
4. Refer to the SAFETY FEATURES for additional information.
5. Check to see if the battery in the remote control is placed correctly and in working order.

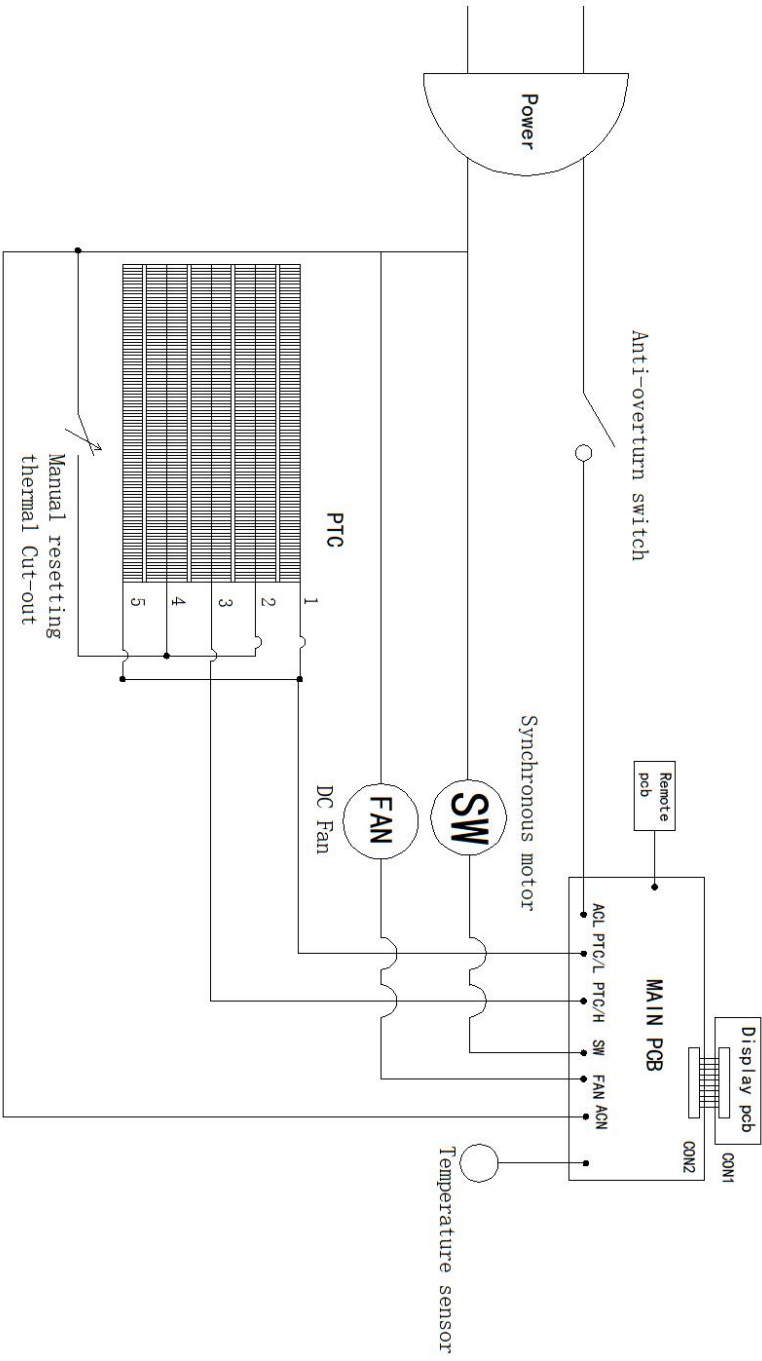
ACCESSORIES VIEW

KPT-150 0596(01)YL

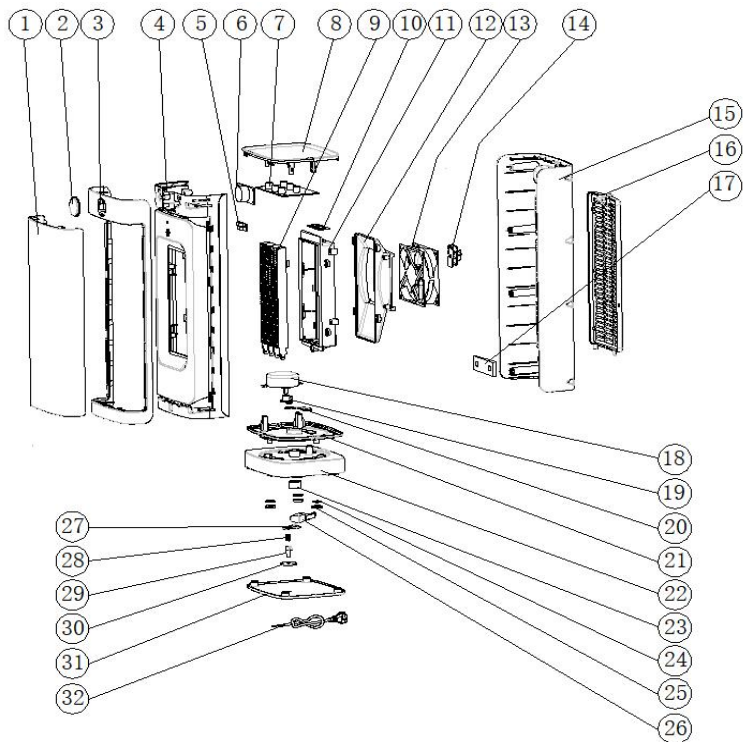


1.Grille	2.Remote control receiving PCB	3.Display Window	4.Face frame
5.Display PCB	6.The front shell	7.PTC	8.Top cover
9.Directive PCB	10.Temperature control components	11.PTC holder	12.DC fan
13. Sensing bracket	14.Back cover	15.Power cord	16.Synchronous motor
17.Connector	18.Connecting rod	19.Rotary table	20.Sleeve pipe
21.Pad	22. Steel ball	23.Positioning circle	24.Base
25.Anti-overturn switch	26. Press plate	27.Spring	28.Column
29.Dump switch disc	30.Base plate		

CIRCUIT DIAGRAM

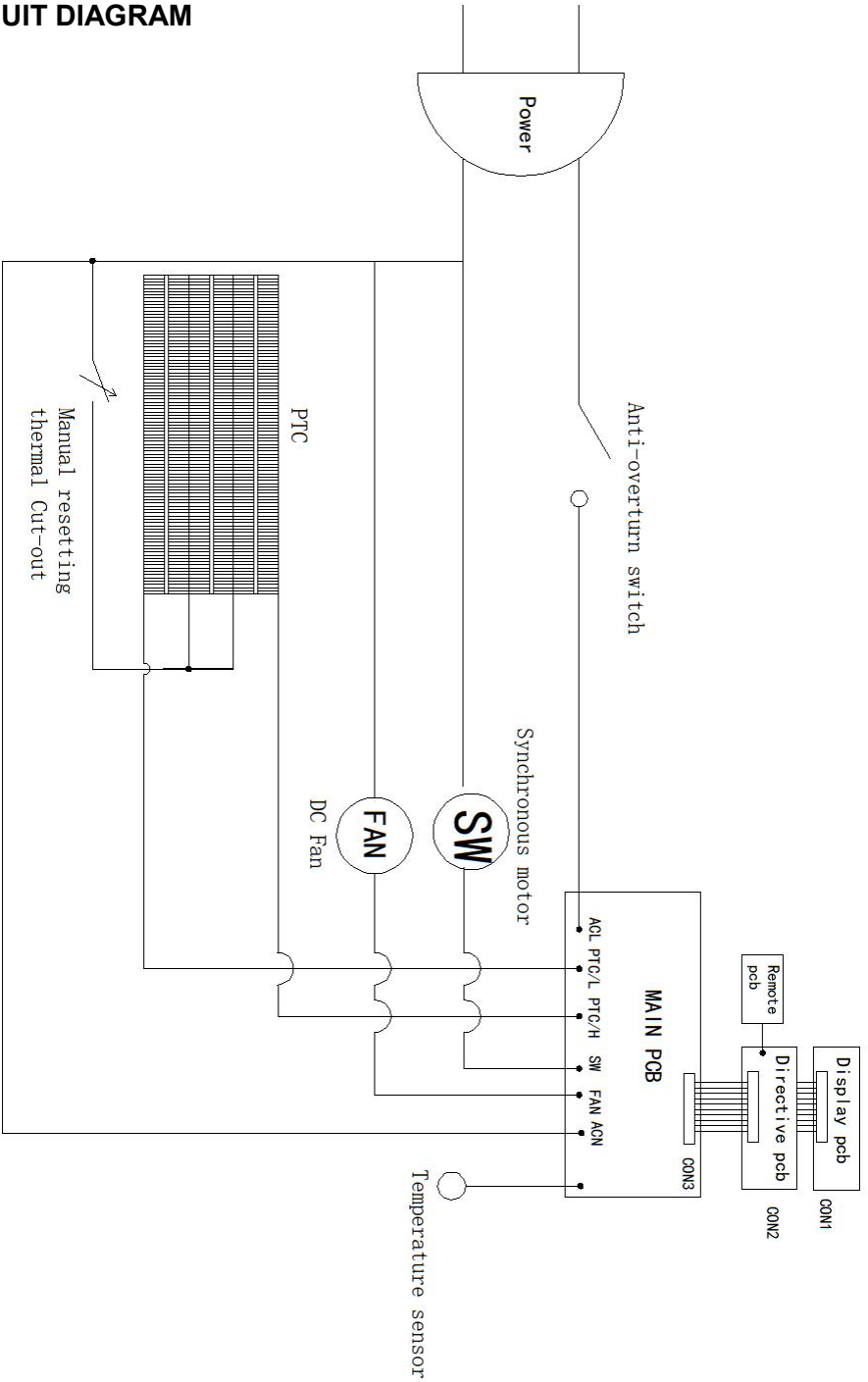


KPT-2000 5186(01)L



1.Grille	2.Display Window	3.Face frame	4.The front shell
5.Remote control receiving PCB	6.Display PCB	7.Directive PCB	8.Top cover
9.PTC	10.Temperature control components	11.PTC holder	12.Fan bracket
13.DC fan	14.Sensing bracket	15.Back cover	16.Posterior reticulum
17.Clump weight	18.Synchronous motor	19.Connector	20.Connecting rod
21.Rotary table	22. Base	23.Sleeve pipe	24.Shim
25.Fixed disc	26.Anti-overturn switch	27.Press plate	28.Spring
29.Column	30.Dump switch disc	31.Base plate	32.Power cord

CIRCUIT DIAGRAM



VEVOR[®]

TOUGH TOOLS, HALF PRICE

Technical Support and E-Warranty Certificate

www.vevor.com/support