

VEVOR[®]

TOUGH TOOLS, HALF PRICE

Technical Support and E-Warranty Certificate www.vevor.com/support

HITCH ADAPTER

MODEL: LFYC09/LFYC10

We continue to be committed to provide you tools with competitive price.

"Save Half", "Half Price" or any other similar expressions used by us only represents an estimate of savings you might benefit from buying certain tools with us compared to the major top brands and does not necessarily mean to cover all categories of tools offered by us. You are kindly reminded to verify carefully when you are placing an order with us if you are actually saving half in comparison with the top major brands.

VEVOR[®]

TOUGH TOOLS, HALF PRICE

HITCH ADAPTER

MODEL: LFYC09/LFYC10



NEED HELP? CONTACT US!

Have product questions? Need technical support? Please feel free to contact us:

Technical Support and E-Warranty Certificate
www.vevor.com/support

This is the original instruction, please read all manual instructions carefully before operating. VEVOR reserves a clear interpretation of our user manual. The appearance of the product shall be subject to the product you received. Please forgive us that we won't inform you again if there are any technology or software updates on our product.

SAFETY INSTRUCTIONS

WARNING

1. Too much tongue weight can lower the tow vehicle in the back, resulting in traction, steering, and braking problems.
2. Using an extender will reduce your hitch's weight capacity by 50%.
3. Do not modify or use the product outside its intended use and application.
4. When a product is not in use, store it in a secure location out of the reach of children.
5. Do not exceed the maximum weight ratings in the Specifications table.
6. Do not exceed the rating of the lowest rated component in the vehicle/trailer towing set-up.
7. Use common sense when working. Stay alert and concentrate when setting up and using this Hitch Adapter. Never operate while under the influence of alcohol, drugs, or medications.
8. Always ensure the tow vehicle's engine is turned off, with the emergency brake on, before installing this product. Take safety precautions to prevent unsafe movement of the accessory as it is being connected to the vehicle.
Ensure the vehicle's wheels are chocked before attaching the accessory to the tow vehicle.
9. Ensure the Hitch Adapter is securely connected to the vehicle's receiver. A steel hitch pin and R-Shaped safety clip are required for this connection. Make sure the safety clip is fully engaged.
10. The upper receiver (with collar) attaches accessories such as a bike rack or cargo carrier. The upper receiver is not for towing.
11. Read and adhere to all instructions and safety warnings provided by the manufacturer of the receiver used on the vehicle.
12. It is critical that the connection between the vehicle's receiver, this Hitch Adapter, and the attached accessory be made correctly. This connection must be

solid and include both sets of hitch pins/B-Shaped safety clips. An improper connection could loosen while the vehicle/accessory is on the road, resulting in serious property damage, personal injury, or death.

13. Safety chains between the vehicle and the attached accessory are recommended.

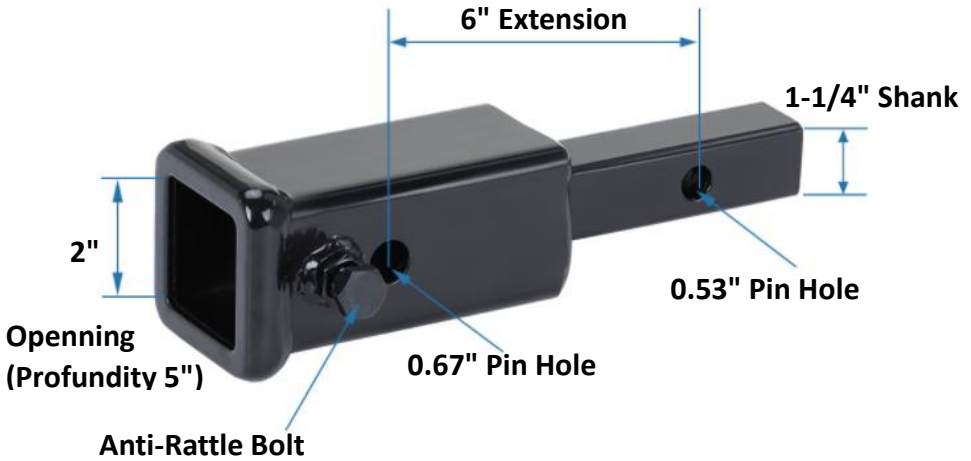
14. Always keep arms, feet, and legs away from under the vehicle and the accessory to be attached when the accessory is being connected or loaded with cargo. Keep spectators away when setting up and using this product.

15. Be aware of the danger of “dynamic loading.” This situation arises when a load is dropped onto the Hitch Adapter, resulting in an excessive short-term load. Dynamic loading can damage and fail the Hitch Adapter and/or the attached accessory and cause personal injury to people nearby.

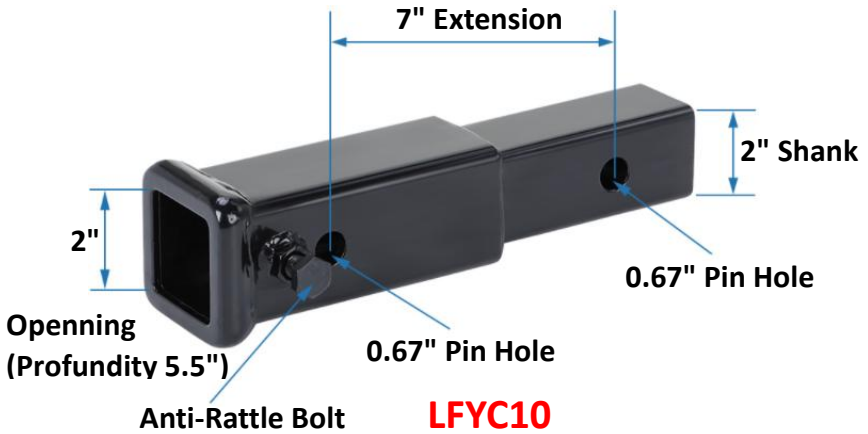
16. Before each use, check the Hitch Adapter, the vehicle’s receiver, and the attached accessory to ensure all hardware is tightly secured. Check for damaged or worn parts; never use the Hitch Adapter if damaged.

17. Remember that the previously discussed warnings cannot cover all possible events and circumstances. The person setting up and using this product must always use common sense.

MODEL AND PARAMETERS



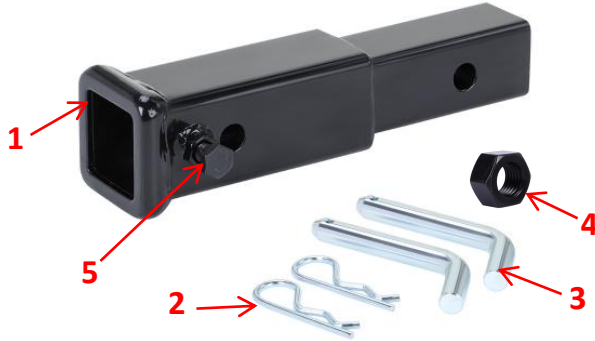
LFYC09



LFYC10

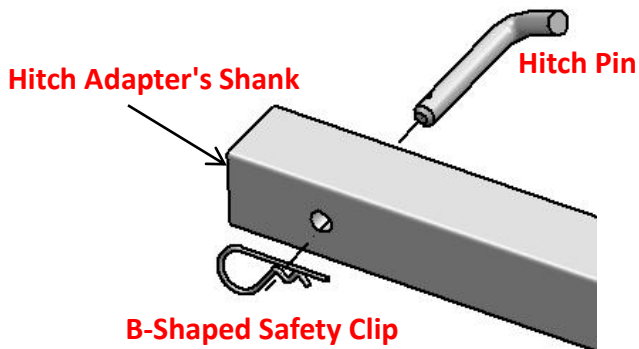
Model	LFYC09	LFYC10
Cross trailer WT	4000lbs	4000lbs
Tongue WT	350lbs	350lbs

STRUCTURE DIAGRAM AND COMPONENTS



No.	Name	Qty
1	Hitch Adapter	1
2	B-Shaped Safety Clip	2
3	Hitch Pin	2
4	Lock Nut A	1
5	Lock Bolt B	1
6	User Manual	1

APPLICATION SCENARIOS





All accessories (bike rack, cargo carrier, etc.) must be secured to the top receiver (with collar) with a steel hitch pin and B-Shaped safety clip. Make sure safety clips are always fully engaged.



Shock-proof design: Keep nut A loose, tighten bolt B, and then tighten nut A. This can strengthen the shelves and so on, effectively prevent shaking during use.

MAINTENANCE

1. Check bolts and safety pins regularly .
2. Do not overload.

MADE IN CHINA

VEVOR[®]

TOUGH TOOLS, HALF PRICE

Technical Support and E-Warranty Certificate

www.vevor.com/support

VEVOR[®]

TOUGH TOOLS, HALF PRICE

Assistance technique et certificat de garantie électronique

www.vevor.com/support

ADAPTATEUR D'ATTELAGE

MODÈLE : LFYC09/LFYC10

We continue to be committed to provide you tools with competitive price.

"Save Half", "Half Price" or any other similar expressions used by us only represents an estimate of savings you might benefit from buying certain tools with us compared to the major top brands and does not necessarily mean to cover all categories of tools offered by us. You are kindly reminded to verify carefully when you are placing an order with us if you are actually saving half in comparison with the top major brands.

VEVOR[®]

TOUGH TOOLS, HALF PRICE

HITCH ADAPTER

MODÈLE: LFYC09/LFYC10



NEED HELP? CONTACT US!

Have product questions? Need technical support? Please feel free to contact us:

Technical Support and E-Warranty Certificate
www.vevor.com/support

This is the original instruction, please read all manual instructions carefully before operating. VEVOR reserves a clear interpretation of our user manual. The appearance of the product shall be subject to the product you received. Please forgive us that we won't inform you again if there are any technology or software updates on our product.

SAFETY INSTRUCTIONS

WARNING

1. Un poids trop important sur la languette peut abaisser le véhicule tracteur à l'arrière, ce qui entraîne des problèmes de traction, de direction et de freinage.
2. L'utilisation d'une rallonge réduira la capacité de poids de votre attelage de 50 %.
3. Ne pas modifier ni utiliser le produit en dehors de son utilisation et de son application prévues.
4. Lorsqu' un produit n' est pas utilisé, rangez-le dans un endroit sûr, hors de portée des enfants.
5. Ne dépassez pas les poids maximum indiqués dans le tableau des spécifications.
6. Ne dépassez pas la puissance nominale du composant le plus faible dans le système de remorquage du véhicule/de la remorque.
7. Faites preuve de bon sens lorsque vous travaillez. Restez vigilant et concentré lors de l'installation et de l'utilisation de cet adaptateur d'attelage. Ne conduisez jamais sous l'influence de l'alcool, de drogues ou de médicaments.
8. Assurez-vous toujours que le moteur du véhicule tracteur est éteint et que le frein de secours est serré avant d'installer ce produit. Prenez des précautions de sécurité pour éviter tout mouvement dangereux de l'accessoire lors de sa connexion au véhicule. Assurez-vous que les roues du véhicule sont calées avant de fixer l'accessoire au véhicule tracteur.
9. Assurez-vous que l'adaptateur d'attelage est solidement connecté au récepteur du véhicule. Une goupille d'attelage en acier et un clip de sécurité en forme de R sont nécessaires pour cette connexion. Assurez-vous que le clip de sécurité est complètement engagé.
10. Le récepteur supérieur (avec collier) permet de fixer des accessoires tels qu'un porte-vélos ou un porte-bagages. Le récepteur supérieur n'est pas destiné au remorquage.
11. Lisez et respectez toutes les instructions et les avertissements de sécurité fournis par le fabricant du récepteur utilisé sur le véhicule.

12. Il est essentiel que la connexion entre le récepteur du véhicule, cet adaptateur d'attelage et l'accessoire fixé soit correctement effectuée. Cette connexion doit être solide et inclure les deux jeux de goupilles d'attelage/clips de sécurité en forme de B. Une connexion incorrecte pourrait se desserrer pendant que le véhicule/l'accessoire est sur la route, entraînant des dommages matériels graves, des blessures corporelles ou la mort.

13. Il est recommandé d' utiliser des chaînes de sécurité entre le véhicule et l'accessoire fixé.

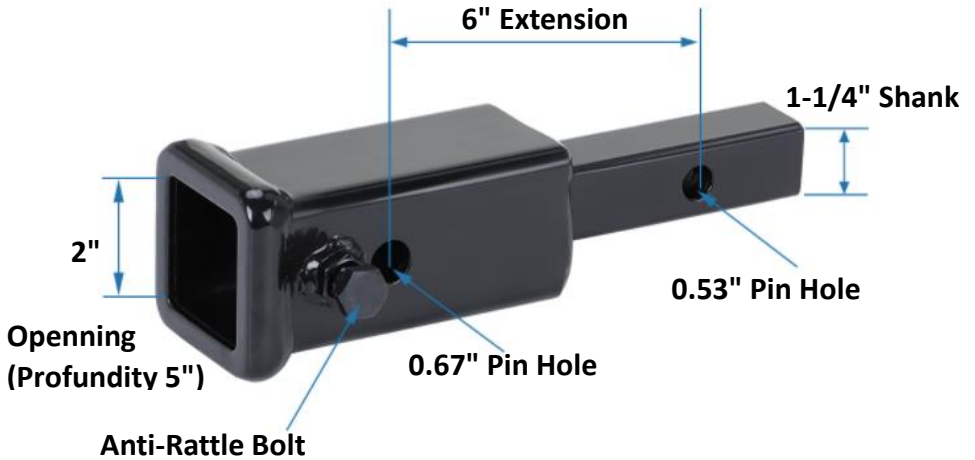
14. Gardez toujours les bras, les pieds et les jambes éloignés du dessous du véhicule et de l'accessoire à fixer lorsque celui-ci est connecté ou chargé avec une charge. Tenez les spectateurs à distance lors de l'installation et de l'utilisation de ce produit.

15. Soyez conscient du danger de « chargement dynamique ». Cette situation se produit lorsqu'une charge tombe sur l'adaptateur d'attelage, ce qui entraîne une charge excessive à court terme. Le chargement dynamique peut endommager et faire échouer l'adaptateur d'attelage et/ou l'accessoire fixé et causer des blessures corporelles aux personnes à proximité.

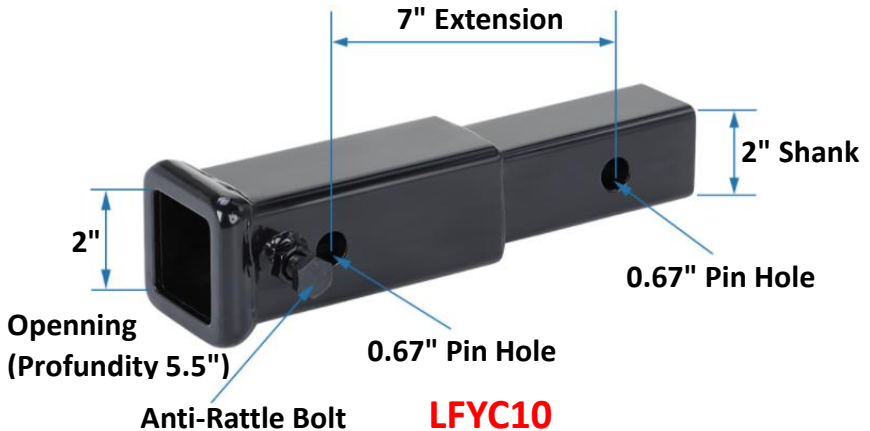
16. Avant chaque utilisation, vérifiez l'adaptateur d'attelage, le récepteur du véhicule et l'accessoire fixé pour vous assurer que tout le matériel est bien fixé. Vérifiez que les pièces ne sont pas endommagées ou usées ; n'utilisez jamais l'adaptateur d'attelage s'il est endommagé.

17. N'oubliez pas que les avertissements mentionnés précédemment ne peuvent pas couvrir tous les événements et circonstances possibles. La personne qui installe et utilise ce produit doit toujours faire preuve de bon sens.

MODEL AND PARAMETERS



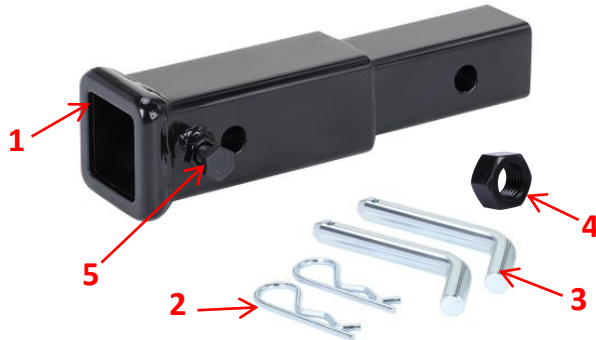
LFYC09



LFYC10

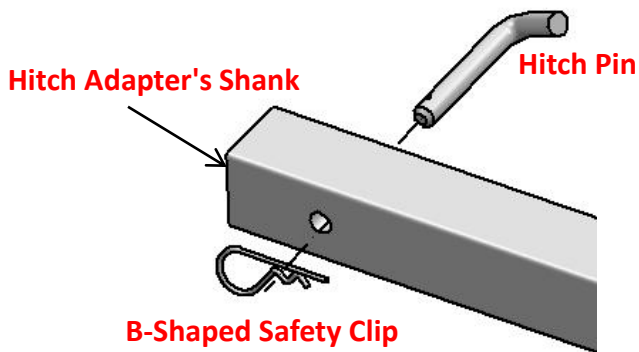
Modèle	LFYC09	LFYC10
Remorque transversale	4000 lb	4000 lb
Langue WT	35 0 livres	35 0 livres

STRUCTURE DIAGRAM AND COMPONENTS



Non.	Nom	Quan
1	Adaptateur d'attelage	1
2	Clip de sécurité en forme de B	2
3	Goupille d'attelage	2
4	Contre - écrou A	1
5	Boulon de verrouillage B	1
6	Manuel d' utilisation	1

APPLICATION SCENARIOS



All accessories (bike rack, cargo carrier, etc.) must be secured to the top receiver (with collar) with a steel hitch pin and B-Shaped safety clip. Make sure safety clips are always fully engaged.



Shock-proof design: Keep nut A loose, tighten bolt B, and then tighten nut A. This can strengthen the shelves and so on, effectively prevent shaking during use.

MAINTENANCE

1. Vérifiez régulièrement les boulons et les goupilles de sécurité.
2. Ne pas surcharger.

FABRIQUÉ EN CHINE

VEVOR[®]

TOUGH TOOLS, HALF PRICE

Assistance technique et certificat de garantie électronique

www.vevor.com/support

VEVOR[®]

TOUGH TOOLS, HALF PRICE

Technischer Support und E-Garantie-Zertifikat www.vevor.com/support

ANHÄNGERKUPPLUNGSADAPTER

MODELL: LFYC09/LFYC10

We continue to be committed to provide you tools with competitive price.

"Save Half", "Half Price" or any other similar expressions used by us only represents an estimate of savings you might benefit from buying certain tools with us compared to the major top brands and does not necessarily mean to cover all categories of tools offered by us. You are kindly reminded to verify carefully when you are placing an order with us if you are actually saving half in comparison with the top major brands.

VEVOR[®]

TOUGH TOOLS, HALF PRICE

HITCH ADAPTER

MODELL: LFYC09/LFYC10



NEED HELP? CONTACT US!

Have product questions? Need technical support? Please feel free to contact us:

Technical Support and E-Warranty Certificate
www.vevor.com/support

This is the original instruction, please read all manual instructions carefully before operating. VEVOR reserves a clear interpretation of our user manual. The appearance of the product shall be subject to the product you received. Please forgive us that we won't inform you again if there are any technology or software updates on our product.

SAFETY INSTRUCTIONS

WARNING

1. Eine zu hohe Stützlast kann dazu führen, dass das Zugfahrzeug hinten absackt, was zu Traktions-, Lenk- und Bremsproblemen führt.
2. Durch die Verwendung einer Verlängerung wird die Gewichtskapazität Ihrer Anhängerkupplung um 50 % reduziert.
3. Verändern Sie das Produkt nicht und verwenden Sie es nicht für Zwecke, die nicht seiner Bestimmung entsprechen.
4. Wenn Sie ein Produkt nicht verwenden, bewahren Sie es an einem sicheren Ort außerhalb der Reichweite von Kindern auf.
5. Überschreiten Sie nicht die in der Spezifikationstabelle angegebenen maximalen Gewichtsangaben.
6. Überschreiten Sie nicht die Nennleistung der Komponente mit der niedrigsten Nennleistung im Fahrzeug-/Anhänger-Zugsystem.
7. Gehen Sie mit gesundem Menschenverstand an die Arbeit. Bleiben Sie wachsam und konzentriert, wenn Sie diesen Anhängerkupplungsadapter einrichten und verwenden. Arbeiten Sie niemals unter dem Einfluss von Alkohol, Drogen oder Medikamenten.
8. Stellen Sie vor der Installation dieses Produkts immer sicher, dass der Motor des Zugfahrzeugs ausgeschaltet und die Handbremse angezogen ist. Treffen Sie Sicherheitsvorkehrungen, um eine unsichere Bewegung des Zubehörs zu verhindern, während es an das Fahrzeug angeschlossen wird. Stellen Sie sicher, dass die Räder des Fahrzeugs blockiert sind, bevor Sie das Zubehör an das Zugfahrzeug anbringen.
9. Stellen Sie sicher, dass der Anhängerkupplungsadapter fest mit der Fahrzeugkupplung verbunden ist. Für diese Verbindung sind ein Stahlkupplungsbolzen und ein R-förmiger Sicherheitsclip erforderlich. Stellen Sie sicher, dass der Sicherheitsclip vollständig eingerastet ist.
10. An der oberen Aufnahme (mit Kragen) können Zubehörteile wie Fahrradträger oder Gepäckträger befestigt werden. Die obere Aufnahme ist nicht zum Abschleppen geeignet.
11. Lesen und befolgen Sie alle Anweisungen und Sicherheitshinweise des

Herstellers des im Fahrzeug verwendeten Empfängers.

12. Es ist wichtig, dass die Verbindung zwischen der Fahrzeugkupplung, diesem Anhängerkupplungsadapter und dem angebrachten Zubehör korrekt hergestellt wird. Diese Verbindung muss stabil sein und beide Sätze Anhängerkupplungsbolzen/B-förmige Sicherheitsclips umfassen. Eine unsachgemäße Verbindung könnte sich während der Fahrt lösen, was zu schweren Sachschäden, Verletzungen oder zum Tod führen kann.

13. Sicherungsketten zwischen Fahrzeug und angebautem Zubehör werden empfohlen.

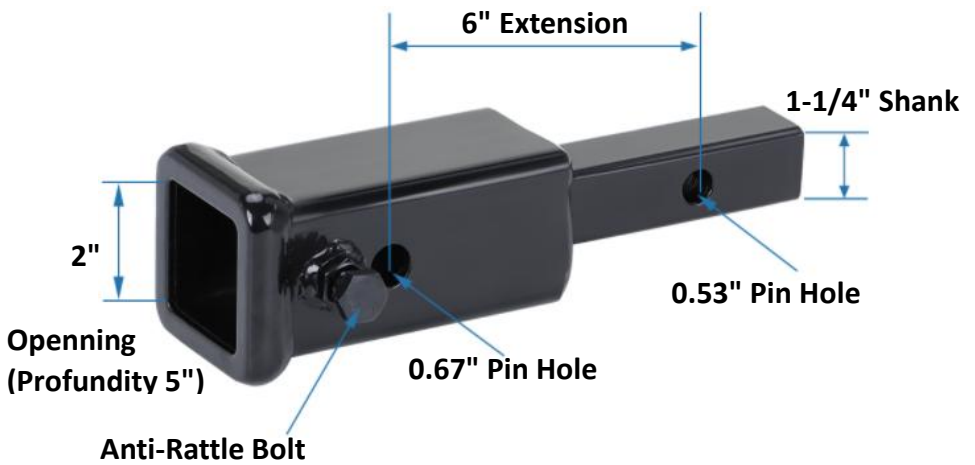
14. Halten Sie Arme, Füße und Beine immer vom Bereich unter dem Fahrzeug und dem anzubringenden Zubehör fern, wenn das Zubehör angeschlossen oder mit Ladung beladen wird. Halten Sie Zuschauer beim Aufstellen und Verwenden dieses Produkts fern.

15. Beachten Sie die Gefahr einer „dynamischen Belastung“. Diese Situation entsteht, wenn eine Last auf den Anhängerkupplungsadapter fällt, was zu einer übermäßigen kurzfristigen Belastung führt. Eine dynamische Belastung kann den Anhängerkupplungsadapter und/oder das angebrachte Zubehör beschädigen und zum Versagen bringen und zu Verletzungen von Personen in der Nähe führen.

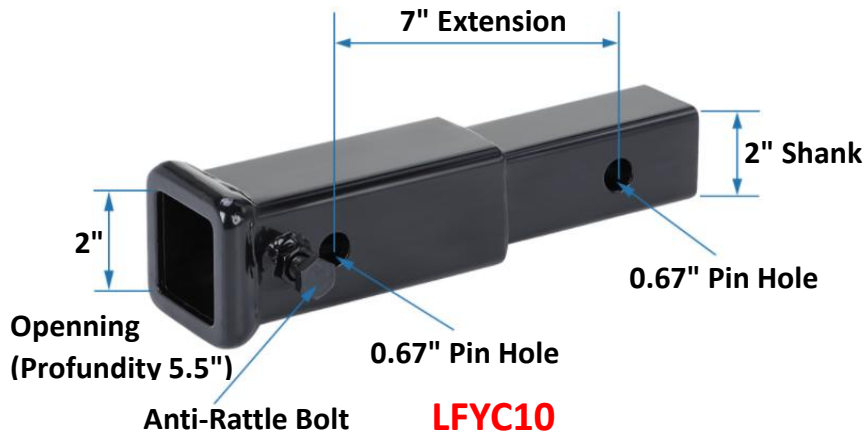
16. Überprüfen Sie vor jedem Gebrauch den Anhängerkupplungsadapter, die Fahrzeughalterung und das angeschlossene Zubehör, um sicherzustellen, dass alle Teile fest sitzen. Überprüfen Sie, ob Teile beschädigt oder abgenutzt sind. Verwenden Sie den Anhängerkupplungsadapter niemals, wenn er beschädigt ist.

17. Bedenken Sie, dass die zuvor besprochenen Warnungen nicht alle möglichen Ereignisse und Umstände abdecken können. Die Person, die dieses Produkt einrichtet und verwendet, muss immer ihren gesunden Menschenverstand einsetzen.

MODEL AND PARAMETERS

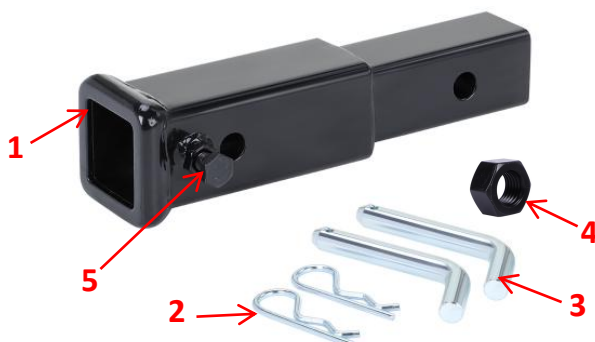


LFYC09



Modell	LFYC09	LFYC10
Queranhänger WT	4000 Pfund	4000 Pfund
Zunge WT	35 0 Pfund	35 0 Pfund

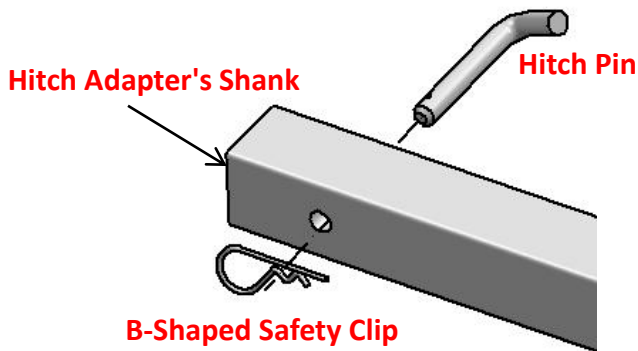
STRUCTURE DIAGRAM AND COMPONENTS



NEIN.	Name	Men
1	Anhängerkupplungsadapter	1
2	B-förmiger Sicherheitsclip	2

3	Anhängerkupplungsstift	2
4	Kontermutter A	1
5	Verriegelungsbolzen B	1
6	Benutzerhandbuch	1

APPLICATION SCENARIOS



All accessories (bike rack, cargo carrier, etc.) must be secured to the top receiver (with collar) with a steel hitch pin and B-Shaped safety clip. Make sure safety clips are always fully engaged.



Shock-proof design: Keep nut A loose, tighten bolt B, and then tighten nut A. This can strengthen the shelves and so on, effectively prevent shaking during use.

MAINTENANCE

1. Überprüfen Sie regelmäßig Bolzen und Sicherungsstifte.
2. Nicht überladen.

IN CHINA HERGESTELLT

VEVOR[®]

TOUGH TOOLS, HALF PRICE

Technischer Support und E-Garantie-Zertifikat

www.vevor.com/support

VEVOR[®]

TOUGH TOOLS, HALF PRICE

Supporto tecnico e certificato di garanzia elettronica

www.vevor.com/support

ADATTATORE DI ATTACCO

MODELLO: LFYC09/LFYC10

We continue to be committed to provide you tools with competitive price.

"Save Half", "Half Price" or any other similar expressions used by us only represents an estimate of savings you might benefit from buying certain tools with us compared to the major top brands and does not necessarily mean to cover all categories of tools offered by us. You are kindly reminded to verify carefully when you are placing an order with us if you are actually saving half in comparison with the top major brands.

VEVOR®

TOUGH TOOLS, HALF PRICE

HITCH ADAPTER

MODELLO: LFYC09/LFYC10



NEED HELP? CONTACT US!

Have product questions? Need technical support? Please feel free to contact us:

Technical Support and E-Warranty Certificate
www.vevor.com/support

This is the original instruction, please read all manual instructions carefully before operating. VEVOR reserves a clear interpretation of our user manual. The appearance of the product shall be subject to the product you received. Please forgive us that we won't inform you again if there are any technology or software updates on our product.

SAFETY INSTRUCTIONS

WARNING

1. Un peso eccessivo sulla barra di traino può abbassare la parte posteriore del veicolo trainante, causando problemi di trazione, sterzata e frenata.
2. L'utilizzo di una prolunga ridurrà del 50% la capacità di carico del gancio.
3. Non modificare o utilizzare il prodotto al di fuori dell'uso e dell'applicazione previsti.
4. Quando il prodotto non è in uso, riporlo in un luogo sicuro, fuori dalla portata dei bambini.
5. Non superare i valori massimi di peso indicati nella tabella delle specifiche.
6. Non superare la potenza nominale del componente con la potenza nominale più bassa nel sistema di traino del veicolo/rimorchio.
7. Usare il buon senso quando si lavora. Rimanere vigili e concentrati quando si imposta e si utilizza questo Hitch Adapter. Non utilizzare mai sotto l'effetto di alcol, droghe o medicinali.
8. Assicurarsi sempre che il motore del veicolo di traino sia spento, con il freno di emergenza inserito, prima di installare questo prodotto. Adottare precauzioni di sicurezza per evitare movimenti non sicuri dell'accessorio mentre viene collegato al veicolo. Assicurarsi che le ruote del veicolo siano bloccate prima di collegare l'accessorio al veicolo di traino.
9. Assicurarsi che l'adattatore di attacco sia saldamente collegato al ricevitore del veicolo. Per questa connessione sono necessari un perno di attacco in acciaio e una clip di sicurezza a forma di R. Assicurarsi che la clip di sicurezza sia completamente inserita.
10. Il ricevitore superiore (con collare) fissa accessori come un portabici o un portapacchi. Il ricevitore superiore non è per il traino.
11. Leggere e rispettare tutte le istruzioni e le avvertenze di sicurezza fornite dal produttore del ricevitore utilizzato sul veicolo.
12. È fondamentale che il collegamento tra il ricevitore del veicolo, questo adattatore di attacco e l'accessorio collegato sia effettuato correttamente. Questo collegamento deve essere solido e includere entrambi i set di perni di attacco/clip di sicurezza a forma di B. Un collegamento non corretto potrebbe

allentarsi mentre il veicolo/accessorio è su strada, causando gravi danni alla proprietà, lesioni personali o morte.

13. Si raccomanda di installare catene di sicurezza tra il veicolo e l'accessorio agganciato.

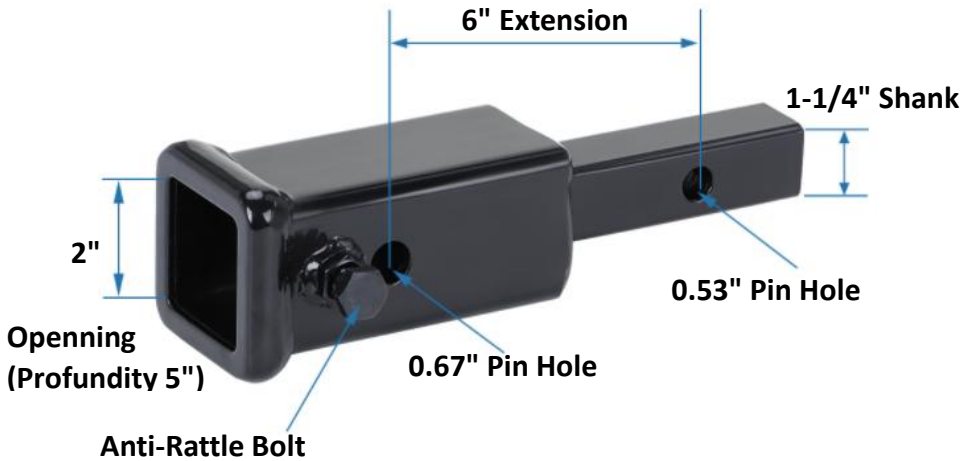
14. Tenere sempre braccia, piedi e gambe lontani da sotto il veicolo e dall'accessorio da attaccare quando l'accessorio viene collegato o caricato con il carico. Tenere lontani gli spettatori quando si installa e si utilizza questo prodotto.

15. Essere consapevoli del pericolo di "carico dinamico". Questa situazione si verifica quando un carico viene lasciato cadere sull'adattatore di attacco, con conseguente carico eccessivo a breve termine. Il carico dinamico può danneggiare e far fallire l'adattatore di attacco e/o l'accessorio collegato e causare lesioni personali alle persone nelle vicinanze.

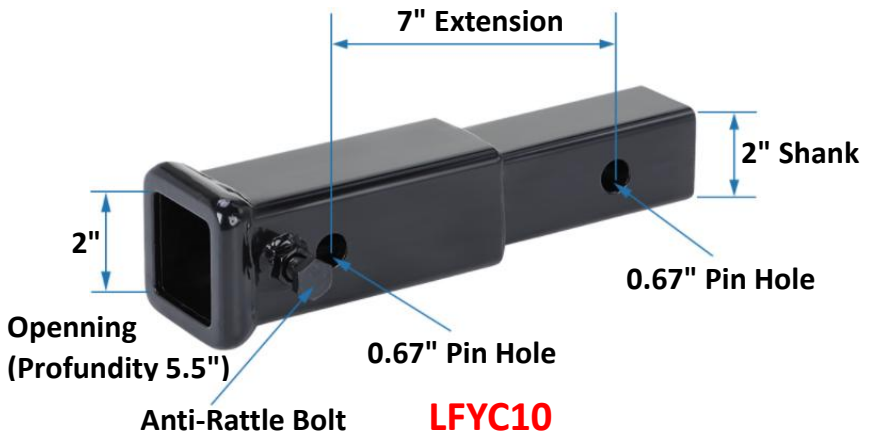
16. Prima di ogni utilizzo, controllare l'adattatore di attacco, il ricevitore del veicolo e l'accessorio collegato per assicurarsi che tutto l'hardware sia saldamente fissato. Controllare che non vi siano parti danneggiate o usurate; non utilizzare mai l'adattatore di attacco se danneggiato.

17. Ricorda che le avvertenze discusse in precedenza non possono coprire tutti i possibili eventi e circostanze. La persona che installa e utilizza questo prodotto deve sempre usare il buon senso.

MODEL AND PARAMETERS



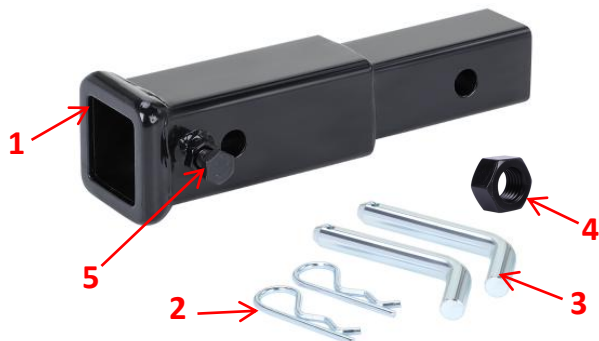
LFYC09



LFYC10

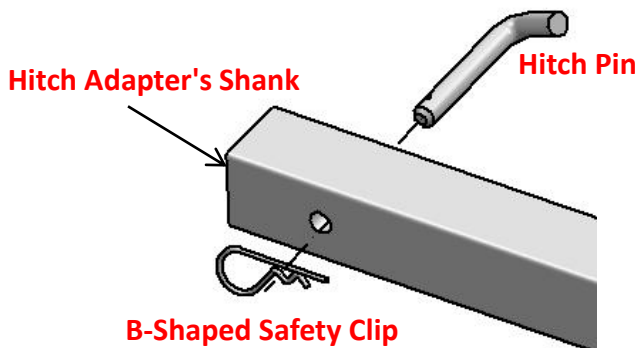
Modello	LFYC09	LFYC10
Rimorchio trasversale WT	4000 libbre	4000 libbre
Lingua WT	35 0 libbre	35 0 libbre

STRUCTURE DIAGRAM AND COMPONENTS



NO.	Nome	Quan
1	Adattatore di attacco	1
2	Clip di sicurezza a forma di B	2
3	Perno di aggancio	2
4	Controdado A	1
5	Bullone di bloccaggio B	1
6	Manuale d' uso	1

APPLICATION SCENARIOS





All accessories (bike rack, cargo carrier, etc.) must be secured to the top receiver (with collar) with a steel hitch pin and B-Shaped safety clip. Make sure safety clips are always fully engaged.



Shock-proof design: Keep nut A loose, tighten bolt B, and then tighten nut A. This can strengthen the shelves and so on, effectively prevent shaking during use.

MAINTENANCE

1. Controllare regolarmente i bulloni e i perni di sicurezza.
2. Non sovraccaricare.

MADE IN CHINA

VEVOR[®]

TOUGH TOOLS, HALF PRICE

Supporto tecnico e certificato di garanzia elettronica

www.vevor.com/support

VEVOR®

TOUGH TOOLS, HALF PRICE

Soporte técnico y certificado de garantía electrónica

www.vevor.com/support

ADAPTADOR DE ENGANCHE

MODELO: LFYC09/LFYC10

We continue to be committed to provide you tools with competitive price.

"Save Half", "Half Price" or any other similar expressions used by us only represents an estimate of savings you might benefit from buying certain tools with us compared to the major top brands and does not necessarily mean to cover all categories of tools offered by us. You are kindly reminded to verify carefully when you are placing an order with us if you are actually saving half in comparison with the top major brands.

VEVOR®

TOUGH TOOLS, HALF PRICE

HITCH ADAPTER

MODELO: LFYC09/LFYC10



NEED HELP? CONTACT US!

Have product questions? Need technical support? Please feel free to contact us:

Technical Support and E-Warranty Certificate
www.vevor.com/support

This is the original instruction, please read all manual instructions carefully before operating. VEVOR reserves a clear interpretation of our user manual. The appearance of the product shall be subject to the product you received. Please forgive us that we won't inform you again if there are any technology or software updates on our product.

SAFETY INSTRUCTIONS

WARNING

1. Demasiado peso en la lengüeta puede hacer bajar el vehículo remolcador hacia atrás, lo que genera problemas de tracción, dirección y frenado.
2. El uso de un extensor reducirá la capacidad de peso del enganche en un 50%.
3. No modifique ni utilice el producto fuera de su uso y aplicación previstos.
4. Cuando un producto no esté en uso, guárdelo en un lugar seguro fuera del alcance de los niños.
5. No exceda los valores máximos de peso indicados en la tabla de Especificaciones.
6. No exceda la clasificación del componente con la clasificación más baja en la configuración de remolque del vehículo/remolque.
7. Use el sentido común al trabajar. Manténgase alerta y concentrado al instalar y usar este adaptador de enganche. Nunca lo utilice bajo los efectos del alcohol, drogas o medicamentos.
8. Asegúrese siempre de que el motor del vehículo remolcador esté apagado y con el freno de emergencia puesto antes de instalar este producto. Tome precauciones de seguridad para evitar movimientos inseguros del accesorio mientras se conecta al vehículo. Asegúrese de que las ruedas del vehículo estén estranguladas antes de colocar el accesorio en el vehículo remolcador.
9. Asegúrese de que el adaptador de enganche esté conectado de forma segura al receptor del vehículo. Para esta conexión se requiere un pasador de enganche de acero y un clip de seguridad en forma de R. Asegúrese de que el clip de seguridad esté completamente acoplado.
10. El receptor superior (con collar) permite colocar accesorios como un portabicicletas o un portaequipaje. El receptor superior no es para remolcar.
11. Lea y cumpla todas las instrucciones y advertencias de seguridad proporcionadas por el fabricante del receptor utilizado en el vehículo.
12. Es fundamental que la conexión entre el receptor del vehículo, este adaptador de enganche y el accesorio conectado se realice correctamente. Esta conexión debe ser sólida e incluir ambos juegos de pasadores de enganche/clips de seguridad en forma de B. Una conexión incorrecta podría aflojarse mientras

el vehículo/accesorio está en la carretera, lo que puede provocar daños materiales graves, lesiones personales o la muerte.

13. Se recomiendan cadenas de seguridad entre el vehículo y el accesorio acoplado.

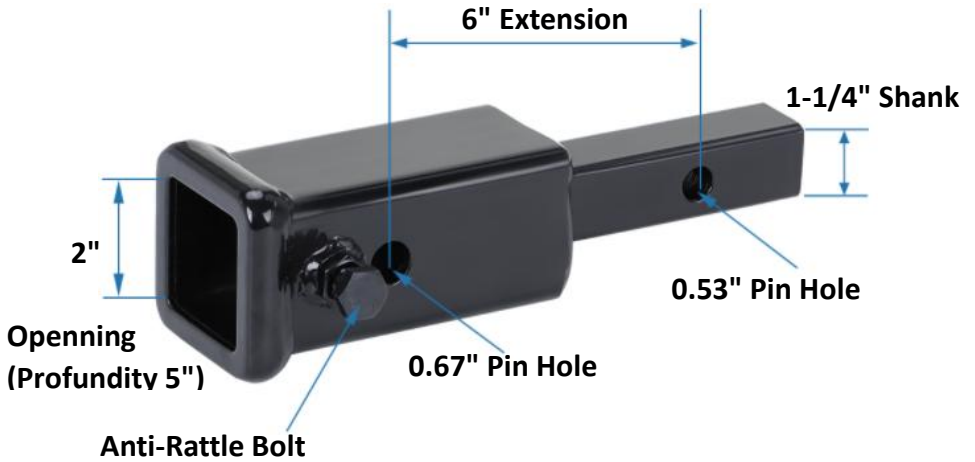
14. Mantenga siempre los brazos, los pies y las piernas alejados de debajo del vehículo y del accesorio que se va a conectar cuando se esté conectando o cargando el accesorio. Mantenga a los espectadores alejados cuando instale y utilice este producto.

15. Tenga en cuenta el peligro de la “carga dinámica”. Esta situación se produce cuando se deja caer una carga sobre el adaptador de enganche, lo que genera una carga excesiva a corto plazo. La carga dinámica puede dañar y hacer fallar el adaptador de enganche o el accesorio conectado y provocar lesiones personales a las personas que se encuentren cerca.

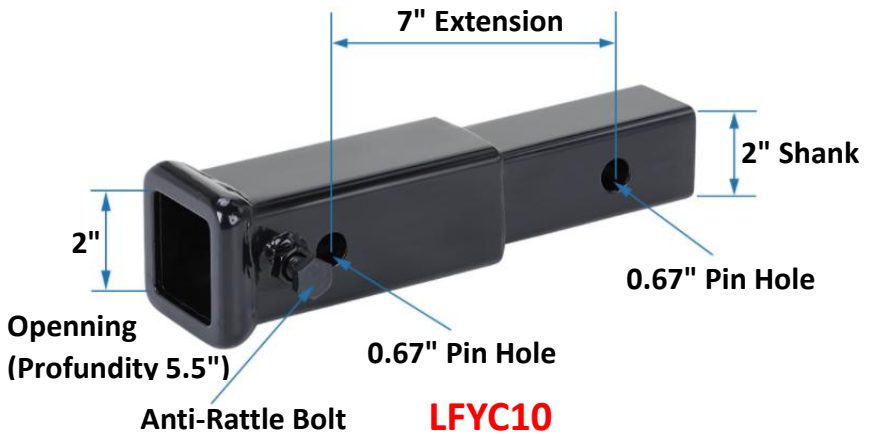
16. Antes de cada uso, revise el adaptador de enganche, el receptor del vehículo y el accesorio conectado para asegurarse de que todos los herrajes estén bien fijados. Verifique que no haya piezas dañadas o desgastadas; nunca use el adaptador de enganche si está dañado.

17. Recuerde que las advertencias expuestas anteriormente no pueden cubrir todos los eventos y circunstancias posibles. La persona que instale y utilice este producto debe utilizar siempre el sentido común.

MODEL AND PARAMETERS



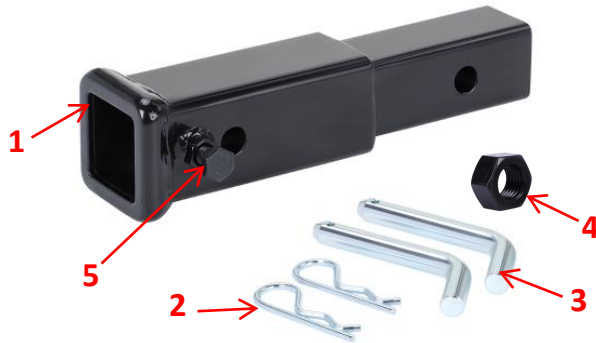
LFYC09



LFYC10

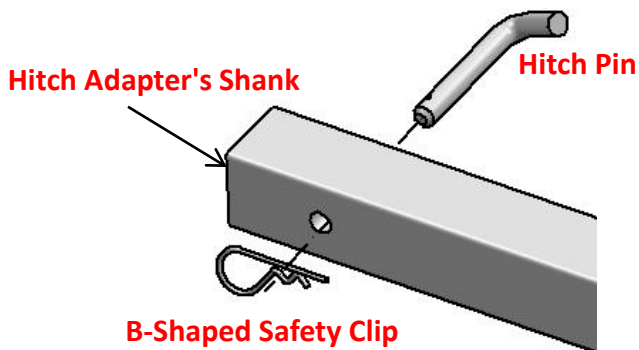
Modelo	LFYC09	LFYC10
Remolque cruzado WT	4000 libras	4000 libras
Lengua WT	35 0 libras	35 0 libras

STRUCTURE DIAGRAM AND COMPONENTS



No.	Nombre	Canti
1	Adaptador de enganche	1
2	Clip de seguridad en forma de B	2
3	Pasador de enganche	2
4	Tuerca de seguridad A	1
5	Perno de bloqueo B	1
6	Manual del usuario	1

APPLICATION SCENARIOS



All accessories (bike rack, cargo carrier, etc.) must be secured to the top receiver (with collar) with a steel hitch pin and B-Shaped safety clip. Make sure safety clips are always fully engaged.



Shock-proof design: Keep nut A loose, tighten bolt B, and then tighten nut A. This can strengthen the shelves and so on, effectively prevent shaking during use.

MAINTENANCE

1. Revise periódicamente los pernos y pasadores de seguridad.
2. No sobrecargue.

HECHO EN CHINA

VEVOR[®]

TOUGH TOOLS, HALF PRICE

Soporte técnico y certificado de garantía electrónica

www.vevor.com/support

VEVOR[®]

TOUGH TOOLS, HALF PRICE

Wsparcie techniczne i certyfikat e-gwarancji www.vevor.com/support

ADAPTER ZACZEPU

MODELE: LFYC09/LFYC10

We continue to be committed to provide you tools with competitive price.

"Save Half", "Half Price" or any other similar expressions used by us only represents an estimate of savings you might benefit from buying certain tools with us compared to the major top brands and does not necessarily mean to cover all categories of tools offered by us. You are kindly reminded to verify carefully when you are placing an order with us if you are actually saving half in comparison with the top major brands.

VEVOR[®]

TOUGH TOOLS, HALF PRICE

HITCH ADAPTER

MODEL: LFYC09/LFYC10



NEED HELP? CONTACT US!

Have product questions? Need technical support? Please feel free to contact us:

Technical Support and E-Warranty Certificate
www.vevor.com/support

This is the original instruction, please read all manual instructions carefully before operating. VEVOR reserves a clear interpretation of our user manual. The appearance of the product shall be subject to the product you received. Please forgive us that we won't inform you again if there are any technology or software updates on our product.

SAFETY INSTRUCTIONS

WARNING

1. Zbyt duży nacisk na zaczep holowniczy może spowodować obniżenie tylnej części pojazdu holowniczego, co może skutkować problemami z przyczepnością, kierowaniem i hamowaniem.
2. Użycie przedłużki zmniejszy nośność zaczepu o 50%.
3. Nie modyfikuj ani nie używaj produktu niezgodnie z jego przeznaczeniem.
4. Jeśli produkt nie jest używany, należy przechowywać go w bezpiecznym miejscu, poza zasięgiem dzieci.
5. Nie przekraczać maksymalnego obciążenia podanego w tabeli specyfikacji.
6. Nie przekraczaj wartości znamionowej podzespołu o najniższej wartości znamionowej w zestawie do holowania pojazdu/przyczepy.
7. Podczas pracy zachowaj zdrowy rozsądek. Zachowaj czujność i koncentrację podczas ustawiania i używania tego adaptera zaczepu. Nigdy nie obsługuj urządzenia pod wpływem alkoholu, narkotyków lub leków.
8. Zawsze upewnij się, że silnik pojazdu holowniczego jest wyłączony, a hamulec awaryjny włączony, przed zainstalowaniem tego produktu. Podejmij środki ostrożności, aby zapobiec niebezpiecznemu ruchowi akcesorium podczas podłączania go do pojazdu. Upewnij się, że koła pojazdu są zablokowane przed przymocowaniem akcesorium do pojazdu holowniczego.
9. Upewnij się, że adapter zaczepu jest bezpiecznie podłączony do odbiornika pojazdu. Do tego połączenia wymagany jest stalowy sworzeń zaczepu i zacisk bezpieczeństwa w kształcie litery R. Upewnij się, że zacisk bezpieczeństwa jest całkowicie zapięty.
10. Górny odbiornik (z kołnierzem) mocuje akcesoria, takie jak bagażnik rowerowy lub bagażnik. Górny odbiornik nie jest przeznaczony do holowania.
11. Należy przeczytać i stosować się do wszystkich instrukcji oraz ostrzeżeń dotyczących bezpieczeństwa dostarczonych przez producenta odbiornika

używanego w pojeździe.

12. Bardzo ważne jest, aby połączenie między odbiornikiem pojazdu, tym adapterem zaczepu i dołączonym akcesorium zostało wykonane prawidłowo. Połączenie to musi być solidne i obejmować oba zestawy sworzni

zaczepu/zacisków bezpieczeństwa w kształcie litery B. Nieprawidłowe połączenie może się poluzować, gdy pojazd/akcesorium znajduje się na drodze, co może spowodować poważne uszkodzenie mienia, obrażenia ciała lub śmierć.

13. Zaleca się stosowanie łańcuchów bezpieczeństwa pomiędzy pojazdem a podłączonym akcesorium.

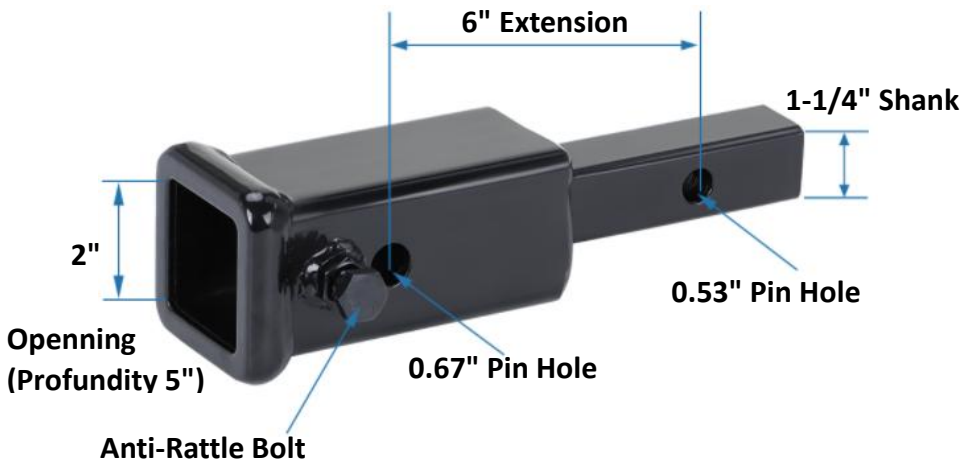
14. Zawsze trzymaj ręce, stopy i nogi z dala od pojazdu i akcesoriów, które mają być przymocowane, gdy akcesoria są podłączane lub ładowane ładunkiem. Trzymaj widzów z dala podczas ustawiania i używania tego produktu.

15. Należy pamiętać o niebezpieczeństwie „dynamicznego obciążenia” . Taka sytuacja ma miejsce, gdy ładunek zostanie upuszczony na adapter zaczepu, co spowoduje nadmierne obciążenie krótkotrwałe. Dynamiczne obciążenie może uszkodzić i uszkodzić adapter zaczepu i/lub dołączone akcesorium oraz spowodować obrażenia ciała osób znajdujących się w pobliżu.

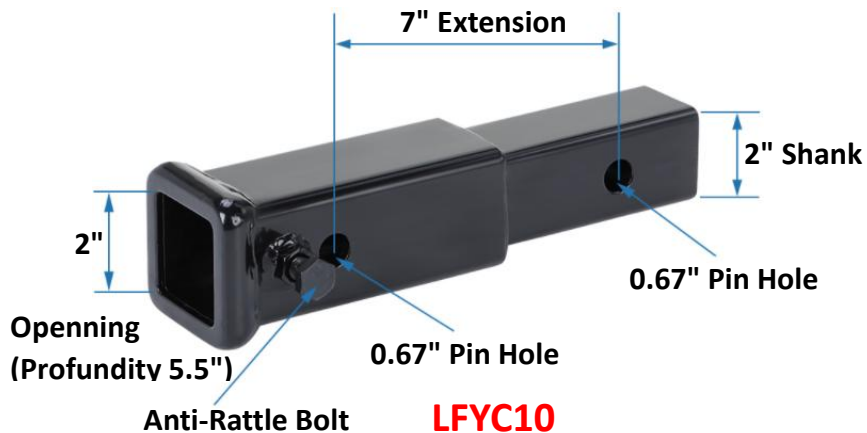
16. Przed każdym użyciem sprawdź adapter zaczepu, odbiornik pojazdu i dołączone akcesoria, aby upewnić się, że cały sprzęt jest dobrze zamocowany. Sprawdź, czy nie ma uszkodzonych lub zużytych części; nigdy nie używaj adaptera zaczepu, jeśli jest uszkodzony.

17. Pamiętaj, że wcześniej omówione ostrzeżenia nie mogą obejmować wszystkich możliwych zdarzeń i okoliczności. Osoba konfigurująca i używająca tego produktu musi zawsze kierować się zdrowym rozsądkiem.

MODEL AND PARAMETERS

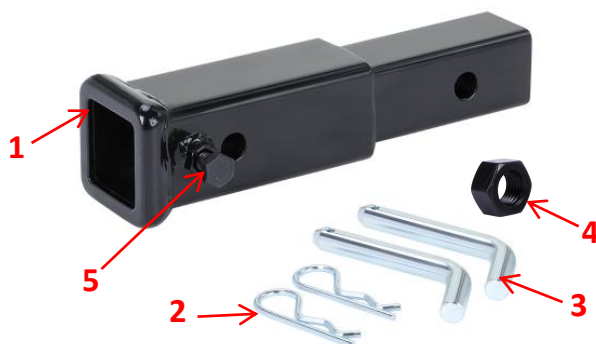


LFYC09



Model	LFYC09	LFYC10
Przyczepa poprzeczna	4000 funtów	4000 funtów
Język WT	35 0 funtów	35 0 funtów

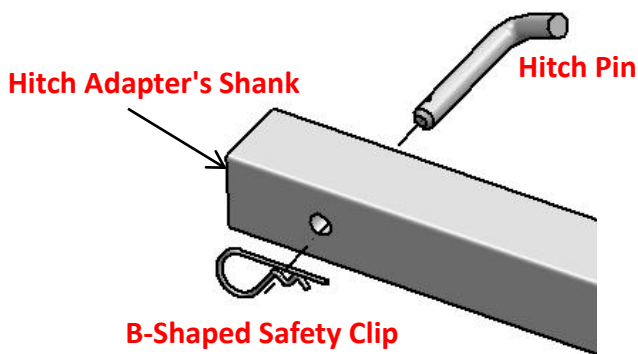
STRUCTURE DIAGRAM AND COMPONENTS



NIE.	Nazwa	Ilość
1	Adapter zaczepu	1
2	Klips bezpieczeństwa w kształcie litery	2

3	Sworzeń zaczepowy	2
4	Nakrętka zabezpieczająca A	1
5	Rygiel blokujący B	1
6	Instrukcja obsługi	1

APPLICATION SCENARIOS



All accessories (bike rack, cargo carrier, etc.) must be secured to the top receiver (with collar) with a steel hitch pin and B-Shaped safety clip. Make sure safety clips are always fully engaged.



Shock-proof design: Keep nut A loose, tighten bolt B, and then tighten nut A. This can strengthen the shelves and so on, effectively prevent shaking during use.

MAINTENANCE

1. Regularnie sprawdzaj śruby i sworznie zabezpieczające.
2. Nie przeciążaj.

WYKONANO W CHINACH

VEVOR[®]

TOUGH TOOLS, HALF PRICE

Wsparcie techniczne i certyfikat e-gwarancji

www.vevor.com/support

VEVOR[®]

TOUGH TOOLS, HALF PRICE

Technische ondersteuning en e-garantiecertificaat www.vevor.com/support

TREKHAAKADAPTER

MODEL: LFYC09/LFYC10

We continue to be committed to provide you tools with competitive price.

"Save Half", "Half Price" or any other similar expressions used by us only represents an estimate of savings you might benefit from buying certain tools with us compared to the major top brands and does not necessarily mean to cover all categories of tools offered by us. You are kindly reminded to verify carefully when you are placing an order with us if you are actually saving half in comparison with the top major brands.

VEVOR[®]

TOUGH TOOLS, HALF PRICE

HITCH ADAPTER

MODEL: LFYC09/LFYC10



NEED HELP? CONTACT US!

Have product questions? Need technical support? Please feel free to contact us:

Technical Support and E-Warranty Certificate
www.vevor.com/support

This is the original instruction, please read all manual instructions carefully before operating. VEVOR reserves a clear interpretation of our user manual. The appearance of the product shall be subject to the product you received. Please forgive us that we won't inform you again if there are any technology or software updates on our product.

SAFETY INSTRUCTIONS

WARNING

1. Te veel tonggewicht kan ervoor zorgen dat het trekkende voertuig naar achteren zakt, wat kan leiden tot problemen met de tractie, besturing en remmen.
2. Door een verlengstuk te gebruiken, wordt het draagvermogen van uw trekhaak met 50% verminderd.
3. Wijzig het product niet en gebruik het niet voor een ander doel dan waarvoor het bedoeld is.
4. Wanneer u een product niet gebruikt, bewaar het dan op een veilige plaats, buiten bereik van kinderen.
5. Overschrijd het maximale gewicht in de specificatietabel niet.
6. Overschrijd niet de classificatie van het onderdeel met de laagste classificatie in de voertuig-/aanhangwagencombinatie.
7. Gebruik uw gezonde verstand tijdens het werken. Blijf alert en concentreer u bij het opzetten en gebruiken van deze Hitch Adapter. Bedien nooit onder invloed van alcohol, drugs of medicijnen.
8. Zorg er altijd voor dat de motor van het trekkende voertuig is uitgeschakeld, met de noodrem aan, voordat u dit product installeert. Neem veiligheidsmaatregelen om onveilige bewegingen van het accessoire te voorkomen terwijl het aan het voertuig wordt bevestigd. Zorg ervoor dat de wielen van het voertuig zijn geblokkeerd voordat u het accessoire aan het trekkende voertuig bevestigt.
9. Zorg ervoor dat de Hitch Adapter stevig is aangesloten op de ontvanger van het voertuig. Voor deze verbinding zijn een stalen trekpen en een R-vormige veiligheidsclip vereist. Zorg ervoor dat de veiligheidsclip volledig is vastgezet.
10. De bovenste ontvanger (met kraag) bevestigt accessoires zoals een fietsendrager of bagagedrager. De bovenste ontvanger is niet bedoeld om te slepen.
11. Lees alle instructies en veiligheidswaarschuwingen van de fabrikant van de ontvanger die in het voertuig wordt gebruikt, en houd u eraan.
12. Het is van cruciaal belang dat de verbinding tussen de ontvanger van het

voertuig, deze Hitch Adapter en de bevestigde accessoire correct wordt gemaakt. Deze verbinding moet stevig zijn en beide sets van Hitch-pennen/B-vormige veiligheidsclips bevatten. Een onjuiste verbinding kan losraken terwijl het voertuig/accessoire op de weg is, wat kan leiden tot ernstige schade aan eigendommen, persoonlijk letsel of de dood.

13. Het wordt aanbevolen om veiligheidskettingen te gebruiken tussen het voertuig en de bevestigde accessoire.

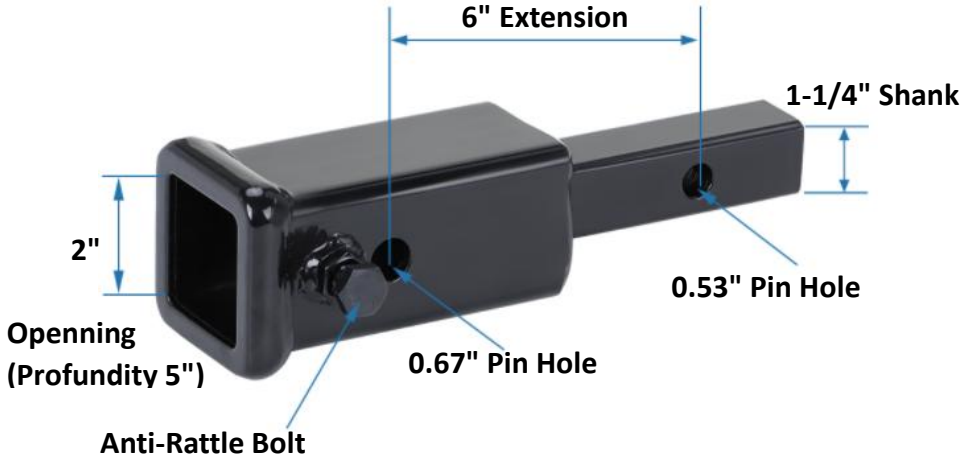
14. Houd armen, voeten en benen altijd uit de buurt van onder het voertuig en de accessoire die moet worden bevestigd wanneer de accessoire wordt aangesloten of geladen met vracht. Houd toeschouwers uit de buurt wanneer u dit product opzet en gebruikt.

15. Wees u bewust van het gevaar van "dynamische belasting". Deze situatie ontstaat wanneer een lading op de Hitch Adapter wordt gedropt, wat resulteert in een overmatige kortetermijnbelasting. Dynamische belasting kan de Hitch Adapter en/of de bevestigde accessoire beschadigen en laten falen en persoonlijk letsel veroorzaken bij mensen in de buurt.

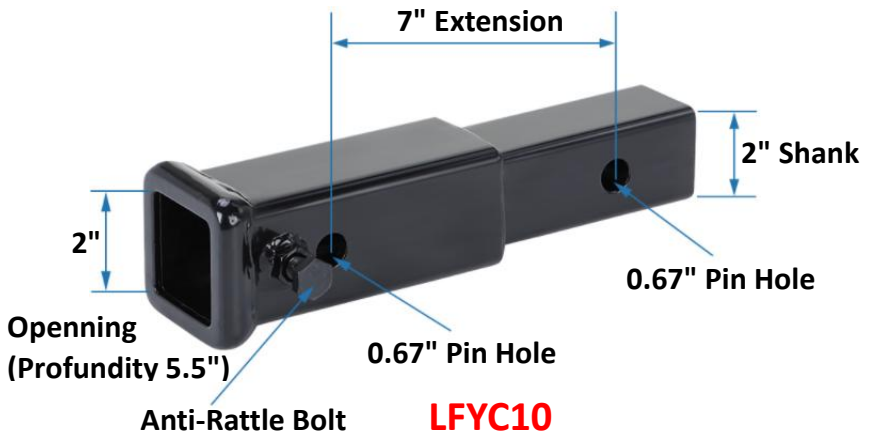
16. Controleer voor elk gebruik de Hitch Adapter, de ontvanger van het voertuig en de bevestigde accessoire om er zeker van te zijn dat alle hardware stevig vastzit. Controleer op beschadigde of versleten onderdelen; gebruik de Hitch Adapter nooit als deze beschadigd is.

17. Vergeet niet dat de eerder besproken waarschuwingen niet alle mogelijke gebeurtenissen en omstandigheden kunnen dekken. De persoon die dit product installeert en gebruikt, moet altijd zijn gezonde verstand gebruiken.

MODEL AND PARAMETERS



LFYC09

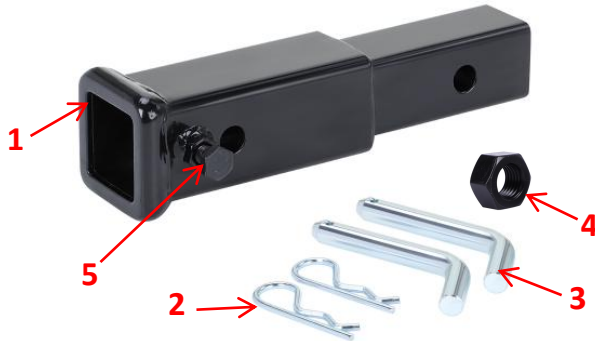


LFYC10

Model	LFYC09	LFYC10
-------	--------	--------

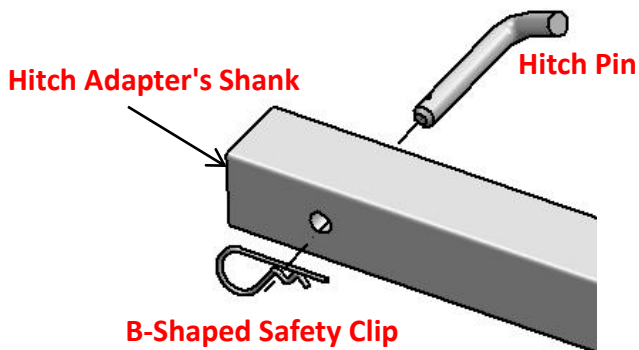
Kruisaanhangwagen WT	4000 pond	4000 pond
Tong WT	35 0 pond	35 0 pond

STRUCTURE DIAGRAM AND COMPONENTS



Nee.	Naam	Hoev
1	Trekhaakadapter	1
2	B -vormige veiligheidsclip	2
3	Koppelingspen	2
4	Borgmoer A	1
5	Slotbout B	1
6	Gebruikershandleiding	1

APPLICATION SCENARIOS



All accessories (bike rack, cargo carrier, etc.) must be secured to the top receiver (with collar) with a steel hitch pin and B-Shaped safety clip. Make sure safety clips are always fully engaged.



Shock-proof design: Keep nut A loose, tighten bolt B, and then tighten nut A. This can strengthen the shelves and so on, effectively prevent shaking during use.

MAINTENANCE

1. Controleer regelmatig de bouten en veiligheidspennen.
2. Overbelast niet.

Gemaakt in China

VEVOR[®]

TOUGH TOOLS, HALF PRICE

Technische ondersteuning en e-garantiecertificaat

www.vevor.com/support

VEVOR[®]

TOUGH TOOLS, HALF PRICE

Teknisk support och e-garanticertifikat www.vevor.com/support

HITCH ADAPTER

MODELL: LFYC09/LFYC10

We continue to be committed to provide you tools with competitive price.

"Save Half", "Half Price" or any other similar expressions used by us only represents an estimate of savings you might benefit from buying certain tools with us compared to the major top brands and does not necessarily mean to cover all categories of tools offered by us. You are kindly reminded to verify carefully when you are placing an order with us if you are actually saving half in comparison with the top major brands.

VEVOR®

TOUGH TOOLS, HALF PRICE

HITCH ADAPTER

MODELL: LFYC09/LFYC10



NEED HELP? CONTACT US!

Have product questions? Need technical support? Please feel free to contact us:

Technical Support and E-Warranty Certificate
www.vevor.com/support

This is the original instruction, please read all manual instructions carefully before operating. VEVOR reserves a clear interpretation of our user manual. The appearance of the product shall be subject to the product you received. Please forgive us that we won't inform you again if there are any technology or software updates on our product.

SAFETY INSTRUCTIONS

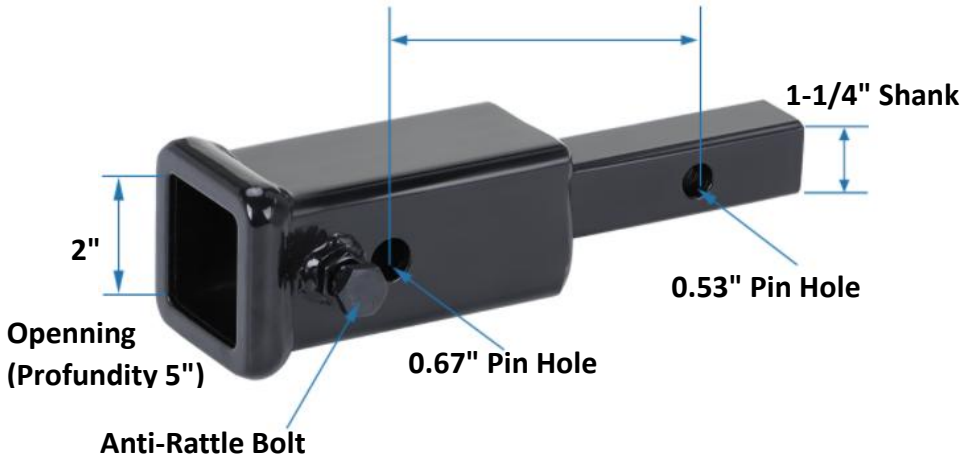
WARNING

1. För mycket tungvikt kan sänka dragfordonet bak, vilket resulterar i problem med dragkraft, styrning och bromsning.
2. Om du använder en förlängare minskar din dragkroks viktkapacitet med 50 %.
3. Modifiera eller använd inte produkten utanför dess avsedda användning och tillämpning.
4. När en produkt inte används, förvara den på en säker plats utom räckhåll för barn.
5. Överskrid inte de maximala viktvärdena i tabellen Specifikationer.
6. Överskrid inte klassificeringen för den lägsta klassade komponenten i fordonets/släpvagnens bogseringsuppställning.
7. Använd sunt förnuft när du arbetar. Var uppmärksam och koncentrerad när du installerar och använder denna Hitch Adapter. Använd aldrig när du är påverkad av alkohol, droger eller mediciner.
8. Se alltid till att bogserfordonets motor är avstängd, med nödbromsen på, innan du installerar denna produkt. Vidta säkerhetsåtgärder för att förhindra osäkra rörelser av tillbehöret när det ansluts till fordonet. Se till att fordonets hjul är dämpade innan du fäster tillbehöret på dragfordonet.
9. Se till att kopplingsadaptorn är ordentligt ansluten till fordonets mottagare. En stålpinne och en R-formad säkerhetsklämma krävs för denna anslutning. Se till att säkerhetsklämman är helt inkopplad.
10. Den övre mottagaren (med krage) fäster tillbehör som ett cykelställ eller en lasthållare. Den övre mottagaren är inte för bogsering.
11. Läs och följ alla instruktioner och säkerhetsvarningar från tillverkaren av mottagaren som används på fordonet.
12. Det är viktigt att anslutningen mellan fordonets mottagare, denna kopplingsadapter och det bifogade tillbehöret görs korrekt. Denna anslutning måste vara solid och inkludera båda uppsättningarna av dragstift/B-formade säkerhetsklämmor. En felaktig anslutning kan lossna när fordonet/tillbehöret är på vägen, vilket kan leda till allvarliga egendomsskador, personskador eller dödsfall.

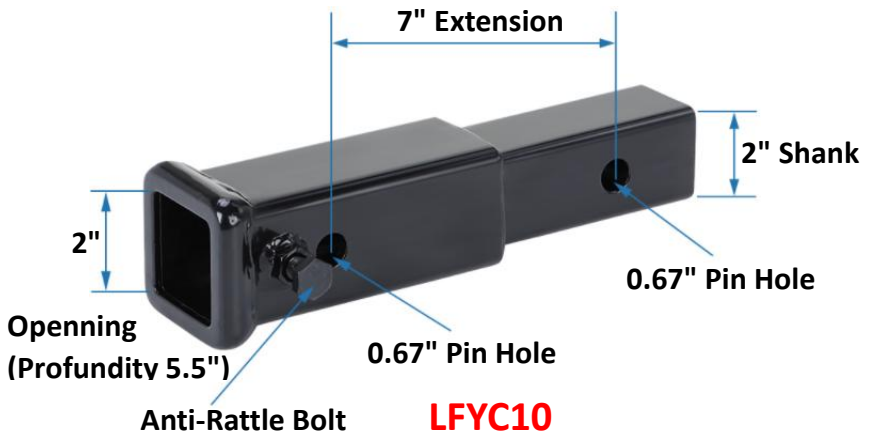
13. Säkerhetskedjor mellan fordonet och det bifogade tillbehöret rekommenderas.
14. Håll alltid armar, fötter och ben borta från under fordonet och tillbehöret som ska fästas när tillbehöret kopplas ihop eller lastas med last. Håll åskådare borta när du installerar och använder denna produkt.
15. Var medveten om faran med "dynamisk belastning". Denna situation uppstår när en last tappas på kopplingsadaptorn, vilket resulterar i en överdriven kortvarig belastning. Dynamisk belastning kan skada och gå sönder kopplingsadaptorn och/eller det bifogade tillbehöret och orsaka personskador på personer i närheten.
16. Före varje användning, kontrollera kopplingsadaptorn, fordonets mottagare och det bifogade tillbehöret för att säkerställa att all hårdvara är ordentligt fastsatt. Kontrollera för skadade eller slitna delar; Använd aldrig kopplingsadaptorn om den är skadad.
17. Kom ihåg att de tidigare diskuterade varningarna inte kan täcka alla möjliga händelser och omständigheter. Personen som installerar och använder denna produkt måste alltid använda sunt förnuft.

MODEL AND PARAMETERS

6" Extension



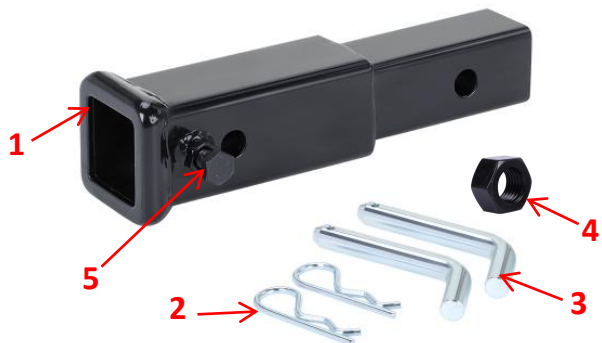
LFYC09



LFYC10

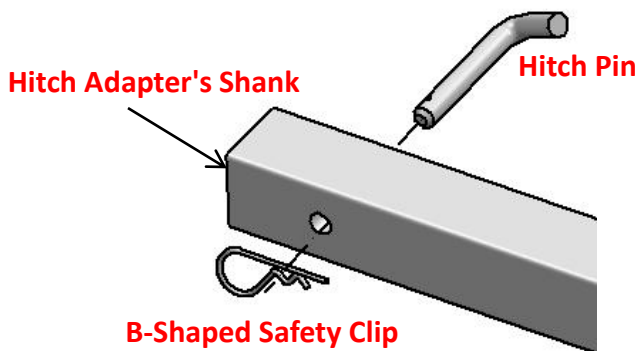
Modell	LFYC09	LFYC10
Crosstrailer WT	4000 pund	4000 pund
Tungan WT	35 0lbs	35 0lbs

STRUCTURE DIAGRAM AND COMPONENTS



Inga.	Namn	Antal
1	Hitch Adapter	1
2	B-formad säkerhetsklämma	2
3	Hitch Pin	2
4	Lås N ut A	1
5	Lås B olt B	1
6	Användarmanual	1

APPLICATION SCENARIOS





All accessories (bike rack, cargo carrier, etc.) must be secured to the top receiver (with collar) with a steel hitch pin and B-Shaped safety clip. Make sure safety clips are always fully engaged.



Shock-proof design: Keep nut A loose, tighten bolt B, and then tighten nut A. This can strengthen the shelves and so on, effectively prevent shaking during use.

MAINTENANCE

1. Kontrollera regelbundet bultar och säkerhetsnålar.
2. Överbelasta inte.

GJORT I KINA

VEVOR[®]

TOUGH TOOLS, HALF PRICE

Teknisk support och e-garanticertifikat

www.vevor.com/support