

# **VEVOR<sup>®</sup>**

**TOUGH TOOLS, HALF PRICE**

Technical Support and E-Warranty Certificate [www.vevor.com/support](http://www.vevor.com/support)

## **DRILL BITS SHARPENER**

**MODEL: MR-20G**

We continue to be committed to provide you tools with competitive price.

"Save Half", "Half Price" or any other similar expressions used by us only represents an estimate of savings you might benefit from buying certain tools with us compared to the major top brands and does not necessarily mean to cover all categories of tools offered by us. You are kindly reminded to verify carefully when you are placing an order with us if you are actually saving half in comparison with the top major brands.

# VEVOR<sup>®</sup> DRILL BITS SHARPENER

TOUGH TOOLS, HALF PRICE

MODEL: MR-20G









## NEED HELP? CONTACT US!

Have product questions? Need technical support? Please feel free to contact us:

**Technical Support and E-Warranty Certificate**  
**[www.vevor.com/support](http://www.vevor.com/support)**

This is the original instruction, please read all manual instructions carefully before operating. VEVOR reserves a clear interpretation of our user manual. The appearance of the product shall be subject to the product you received. Please forgive us that we won't inform you again if there are any technology or software updates on our product.

	<p>Warning-To reduce the risk of injury, user must read instructions manual carefully.</p>
  	<p>Always wear ANSI approved safety goggles when working with tools and equipment.</p> <p>Wear eye protection.</p> <p>Wear ear protection.</p> <p>Wear protective gloves.</p>
	<p>Compliance is a EC &amp; UK security certification.</p>
	<p><b>CORRECT DISPOSAL</b></p> <p>This product is subject to the provision of European Directive 2012/19/EC. The symbol showing a wheelie bin crossed through indicates that the product requires separate refuse collection in the European Union. This applies to the product and all accessories marked with this symbol. Products marked as such may not be discarded with normal domestic waste, but must be taken to a collection point for recycling electrical and electronic devices</p>

## Safety Warnings and Precautions

Thank you for using this product. In order to make sure that you can operate the machine correctly, read this instruction carefully before operation and keep it properly for future reference. Please be sure to read the precautions and safety rules in this page to ensure your safe use. This manual will outline safety warnings and precautions, operating, maintenance and cleaning. The warnings and instructions reviewed in this manual cannot cover all possible conditions and situations that may occur. Caution and common sense are not built into this product, since we believe that the uses will comply with these codes.

## **Please read ALL the instructions before using your machine.**

1. **Keep work area clean.** Cluttered areas invite injuries.
2. **Observe work area conditions.** Do not use machines or power tools in damp or wet locations. Don't expose to rain. Keep work area well lit. Do not use electrically powered tools in the presence of flammable gasses or liquids.
3. **Keep children away.** Children must never be allowed in the work area, Do not let them handle machines, tools, or extension cords.
4. **Store idle equipment.** When not in use, tools must be stored in a dry location to inhibit rust. Always lock up tools and keep out of reach of children.
5. **Use the right tool for the job.** Do not attempt to force a small tool or attachment to do the work of a larger industrial tool. There are certain applications for which this tool was designed. It will do the job better and more safely at the rate for which it was intended. Do not modify this tool and do not use this tool for a purpose for which it was not intended.
6. **Dress properly.** Do not wear loose clothing or jewelry as they can be caught in moving parts.  
Protective, electrically non-conductive clothes and no-skid footwear are recommended when working. Wear restrictive hair covering to contain long hair
7. **Use eye and ear protection.** Always wear ANSI approved impact safety goggles. Wear a full face shield if you are producing metal filings or wood chips.
8. **Do not overreach.** Keep proper footing and balance at all times. Do not reach over or across running machines.
9. **Maintain tools with care.** Keep tools sharp and clean for better and safer performance. Follow instructions for lubricating and changing accessories. Inspect tool cords periodically and if damaged, have them repaired by an authorized technician. The handles must be kept clean, dry, and free from oil and grease at all times. Please power off and unplug before maintenance and cleaning.
10. **Avoid unintentional starting.** Be sure the switch is in the Off position when not in use and before plugging in.



11. **Stay alert.** Watch what you are doing, use common sense. Do not operate any tool when you are tired.
12. **Check for damaged parts.** Before using any tool, any part that appears damaged should be carefully checked to determine that it will operate properly and perform its intended function. Check for alignment and binding of moving parts; any broken parts or mounting fixtures; and any other condition that may affect proper operation. Any part that is damaged should be properly repaired or replaced by a qualified technician. Do not use the tool if any switch does not turn On and Off properly.
13. **Guard against electric shock.** Prevent body contact with grounded surfaces such as pipes, radiators, ranges, and refrigerator enclosures.
14. **Replacement parts and accessories.** When servicing, use only identical replacement parts. Use of any other parts will void the warranty. Only use accessories intended for use with tool.
15. **Do not operate tool if under the influence of alcohol or drugs.** Read warning labels on prescriptions to determine if your judgment or reflexes are impaired while taking drugs. If there is any doubt, do not operate the tool.
16. **Maintenance.** For your safety, maintenance should be performed regularly by a qualified technician.
17. Never use the machine around flammable materials.
18. **Do NOT** immerse the appliance in water or any other liquid.
19. This product cannot be used for other purposes. Not suitable for commercial use. **INDOOR USE ONLY.**
20. Do not use alcohol, gasoline, etc. as coolant.
21. **Keep bystanders a safe distance away from work area. Anyone entering the work area must wear personal protective equipment.** Fragments of work piece or of a broken accessory may fly away and cause injury beyond immediate area of operation.
22. **Operations for which the power tool was not designed may create a hazard and cause personal injury.**
23. **Do not use accessories which are not specifically designed and recommended by the tool manufacturer.** Just because the accessory can be attached to your power tool, it does not assure safe operation.

24. **The rated speed of the accessory must be at least equal to the maximum speed marked in the user manual.** Accessories running faster than their rated speed can break and fly apart.

25. This appliance is not intended for use by young or infirm persons unless supervised by a responsible person to ensure that they can use the appliance safely. Young children should be supervised to ensure that they do not play with the appliance. Children and pets should stay away from the product.

26. Do not apply this unit to any other purposes than the indicated usage.

27. Do not use it outdoors or for commercial purposes. 29. **DO NOT CLEAN IT WITH ANY ABRASIVE MATERIAL.**

28. Never leave it unattended while in use.

**Note: Performance of this tool (if powered by line voltage ) may vary depending on variations in local line voltage. Extension cord usage may also affect tool performance.**

**⚠ Warning: The warnings, cautions, and instructions discussed in this instruction discussed in this instruction manual cannot cover all possible conditions and situations that may occur. It must be understood by the operator that common sense and caution are factors which cannot be built into this product, but must be supplied by the operator of the tool.**

29. If the grinding wheel comes loose, turn off the machine immediately and check that it is mounted securely, and that is not damaged.

30. Never try to stop the grinding wheel with your hands, even if you are wearing safety gloves. The wheel will cut through gloves and your hand, causing serious injury. Never operate tool without the **Grinding Wheel Cover** in place.

31. If the supply cord is damaged, it must be replaced by a special cord or assembly available from the manufacturer or its service agent.

**SAVE THESE INSTRUCTIONS**

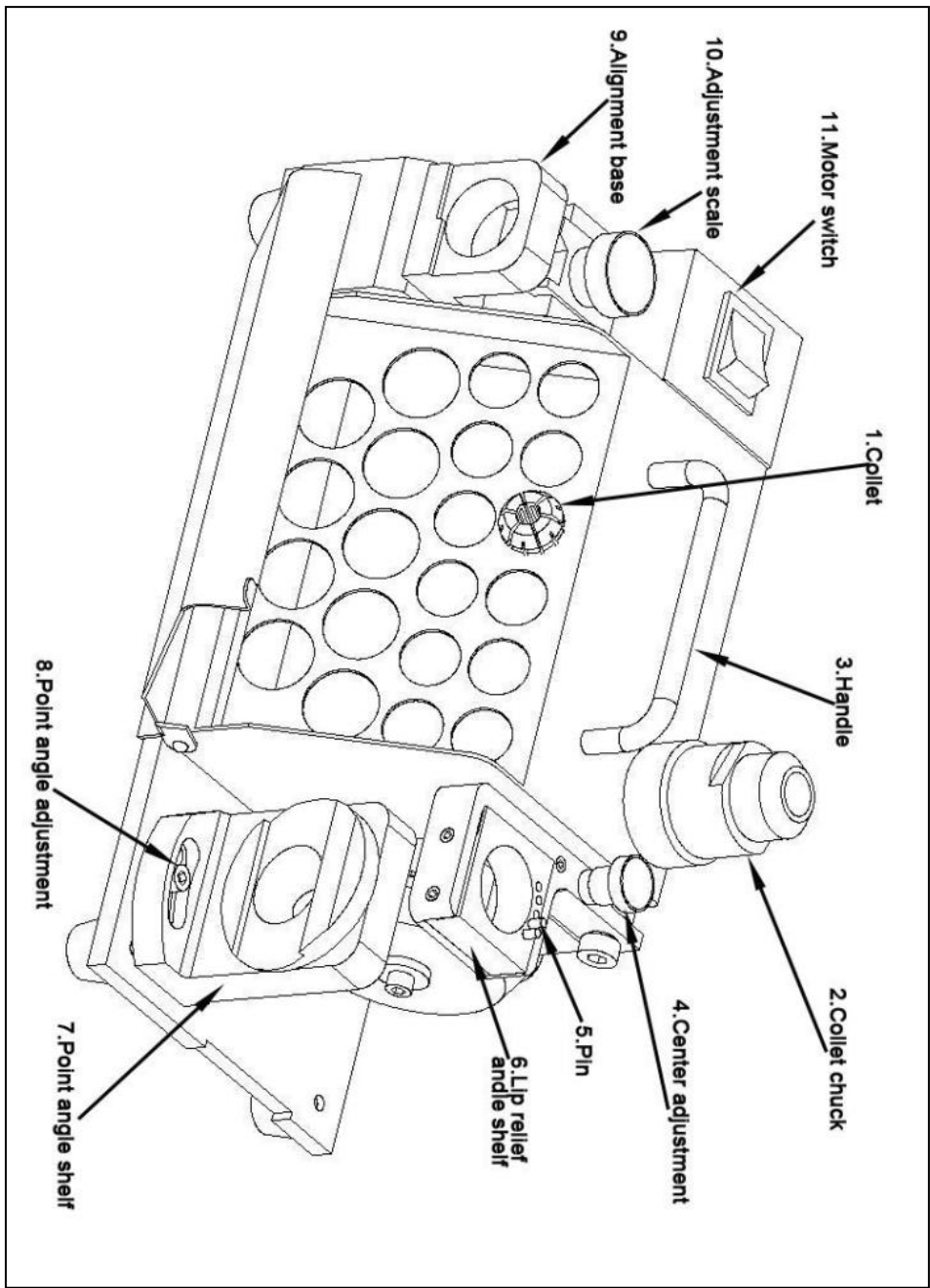
## MAIN APPLICATION AND CHARACTERISTICS

1. Grinding is accurate and rapid, easy operation with no skill to grind.
2. Economical price that greatly reduces the cost and improves the use effect.
3. With diamond grinding wheel, it can be equipped directly with an accurate angle and long service life.
4. The electrically controlled and powerful DC motor: stable frequency, strong horsepower and long service life.
5. The machine is set up with the function of adjusting a point (central point) size, which can effectively coordinate with the material of drill hole and the rotation speed. It can control the quality precision and prolong the service life of the drill bit.

## PRODUCT PARAMETERS

MODEL	Voltage	Motor Power	GRINDING RANGE	POINT ANGLE	GRINDING WHEEL
MR-20G	North America: AC120V 60Hz	120W	Φ 3~Φ 20mm	95°~ 135°	CBN (for HSS)×1 SD (for Carbide)×1
	European Union: AC220-240V 50Hz				CBN (for HSS)×1 SD (for Carbide)×1

**PARTS:** ER20 collets: φ3-φ13 ( 11pcs ) , ER25 collets: φ14-φ20 ( 7pcs )  
 collet chuck (ER20) ×1 Collet chuck(ER25)×1 Electric wire×1  
 2 pcs hexagon wrench

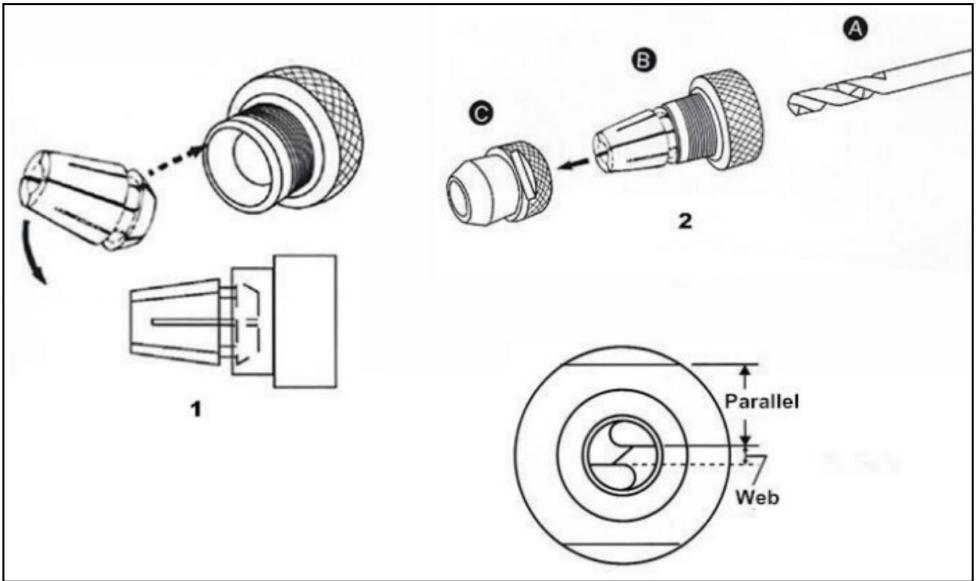


# OPERATIONS

## A. Setup the drill bit to the ER collet chuck.

\*Please follow step 1,2 to set up the drill bit to the chuck (without tightening)

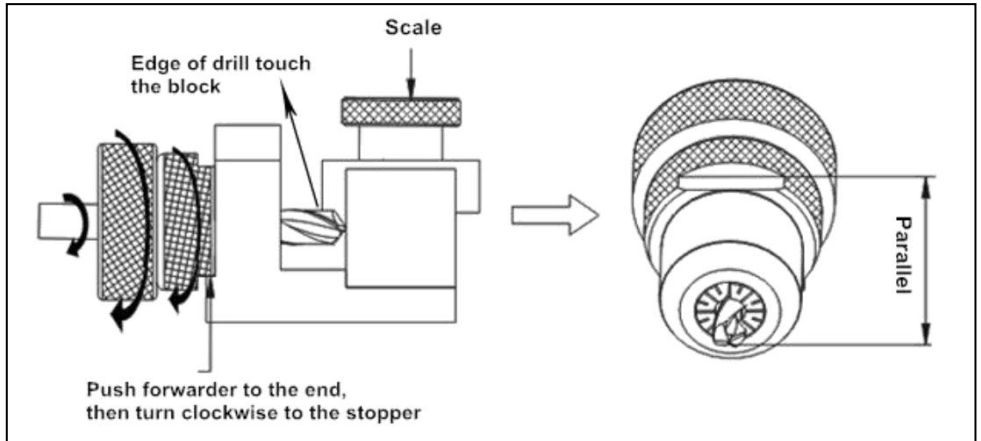
1. Determine diameter of your drill bit, and then select the proper collet and collet chuck.
  2. Insert collet into collet chuck by 45° angle, and tighten nut slightly.
  3. Insert drill bit into collet chuck and nuts out 35mm or so from the collet chuck, but do not tightened the drill too tight.
- ※ Do not fully fasten the clamping nut with collet chuck, keep the drill able to be adjusted.



## B. Align drill bit

1. Reset the scale ring: turn the ring all the way clockwise, and then turn it anti-clockwise to the number same as the drill's size.
2. Insert the chuck set into the web adjustment shelf. Then connect it tightly. Turn it clockwise to the end.

3. Plug the drill to the end and turn it clockwise to the end.
  4. Turn the chuck set clockwise to the end and tightens it.
  5. Turn the chuck set a little to the anti-clockwise and taking it out gently.
- ※ Make sure the cutting lip of drill is parallel with the slot of clamping nut before grinding job started. If it is not parallel, adjust it again.



Attention: If the cutting lip is downward, must increase the scale of web adjustment shelf. If it is upward, please decrease the scale of the web adjustment shelf.

When the flute length of a drill becomes shorter, the web thickness of a drill would become thicker. So, for the same diameter of drills, the shorter length of a drill, the higher scale of web adjustment shelf need to be increased.

### **C. Grind the point angle**

Turn the power switch on and wait until the motor rotation is stable (about 10 seconds), put the chuck set into the point angle grinding shelf.

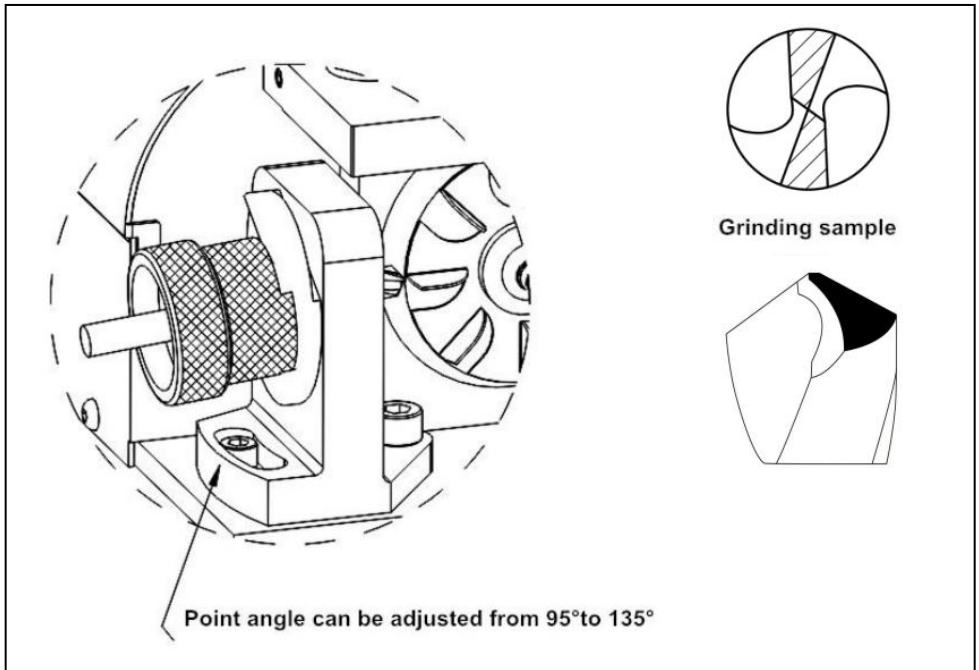
The slot of clamping nut must fit with the two pins of the grinding shelf.

Insert the drill gently into grinding shelf until reach the grinding wheel.

Grind the drill by moving left and right until the grinding sound disappears.

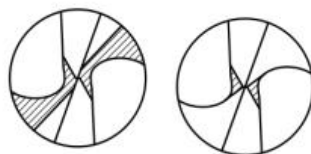
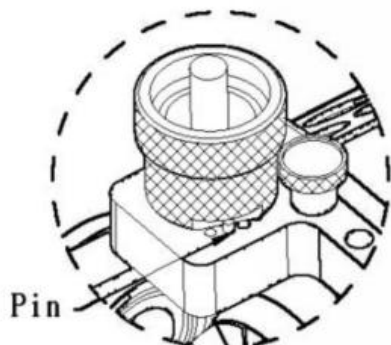
And then turn to the other side, do the same to grind the drill.

- \* The grinding size of drill is 2mm-13mm(15mm)
- \* The point angle of drill is from 95° to 135° .
- \* While grinding, don't hold the stem of drill, it will affect the accuracy.

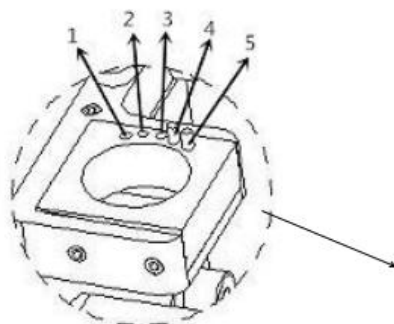


#### **D. Grind the lip relief angle**

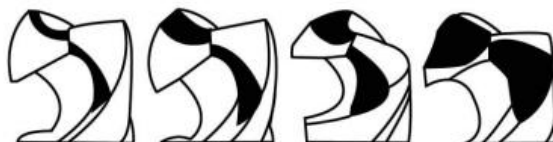
Put the chuck set into the point splitting shelf. The slot of clamping nut must fit with the pin of the grinding shelf. Insert the drill gently into grinding shelf until reach the grinding wheel. Grind the drill by moving left and right until the grinding sound disappears. Turn back to the center of pin and take out, then turn to the other side, do the same to grind the drill.



**Grinding sample**



**Notice:** The lip relief angle is adjustable by taking out the pin to the another holes. Our standard is the smallest (in the position of No.4&5) for grinding the lip relief face. If need big size for the relief face, put the pin near to the grinding wheel, then grind. There are four positions such as: NO.4&5, No.3&4, No.3, No.1&2.



**Four types of lip relief face**

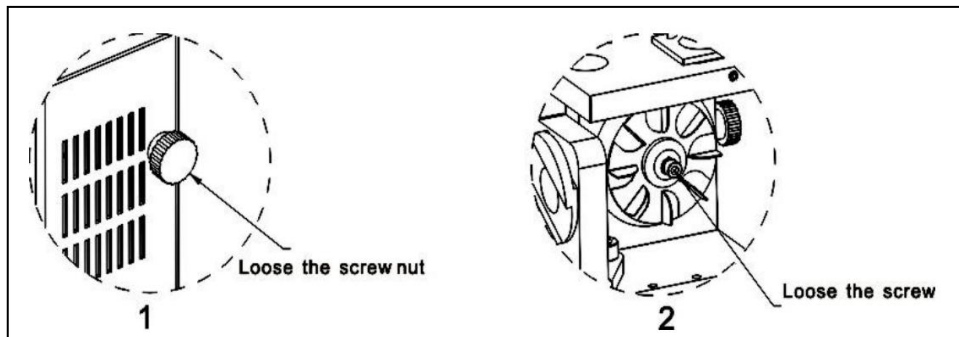
## CLEAN AND MAINTENANCE

Please clean the whole unit with an air blow gun, especially the holes before and after use.



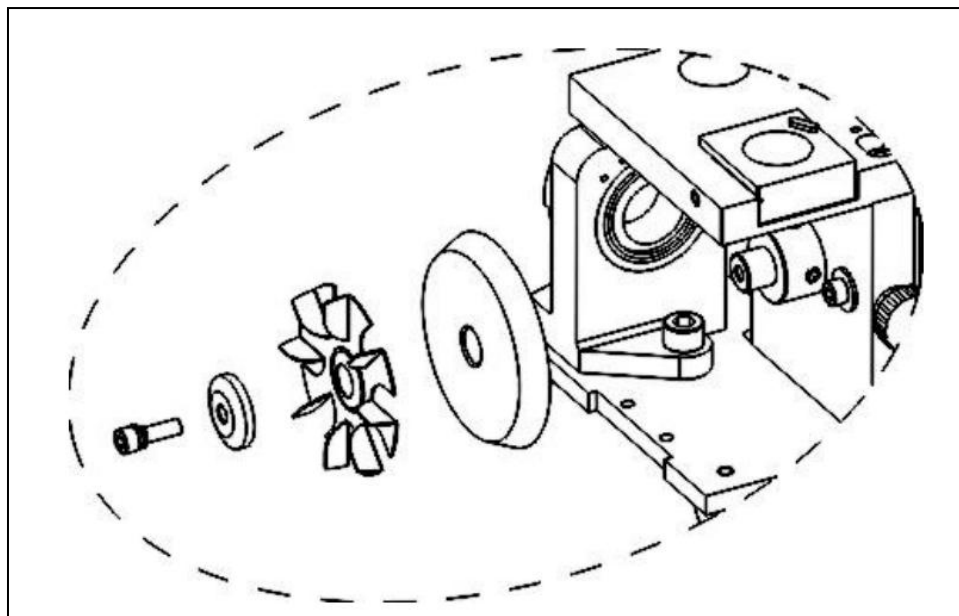
# REPLACING THE WHEEL

## A. Open the wheel cover



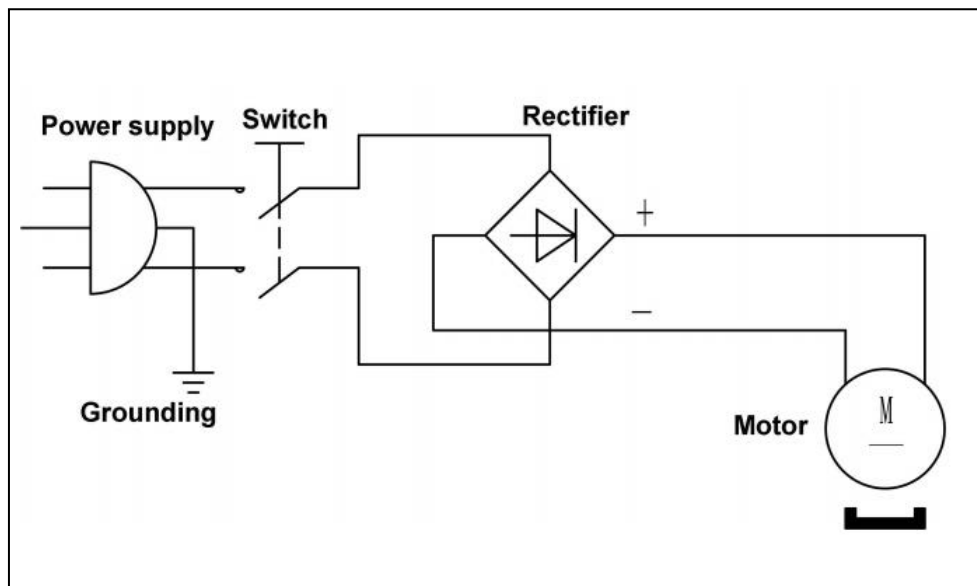
1. Make sure it is safe that the power cord is unplugged
2. Then use the 4mm hex wrench to loose the screw to open the cover.

## B. Take out the grinding wheel



1. Use the brush to clean the machine, then use dry cloth to clean the surface.
2. If you just use the the machine, please wait 3 minutes after the grinding temperature is fall.
3. Use the left hand to hold the wheel, then use the 4mm hex wrench to loose thescrew counterclockwise by right hand.
4. Take out the diamond grinding wheel on the machine.
5. Replace the new grinding wheel.
6. Put the wheel into the principal axis of motor, and tighten the screw and the wheel cover to complete.

Notice: motor principal axis is very precise, if wrong work may be leading to the damage, thus affecting grinding wheel position.



**Address:** Baoshanqu Shuangchenglu 803long 11hao 1602A-1609shi  
Shanghai

**Imported to USA:** Sanven Technology Ltd. Suite 250, 9166 Anaheim  
Place, Rancho Cucamonga, CA 91730



Pooledas Group Ltd  
Unit 5 Albert Edward House, The Pavilions  
Preston, United Kingdom



SHUNSHUN GmbH  
Römeräcker 9 Z2021, 76351  
Linkenheim-Hochstetten, Germany

**Made In China**

**VEVOR<sup>®</sup>**

**TOUGH TOOLS, HALF PRICE**

**Technical Support and E-Warranty Certificate**

**[www.vevor.com/support](http://www.vevor.com/support)**

# VEVOR<sup>®</sup>

## TOUGH TOOLS, HALF PRICE

Assistance technique et certificat de garantie électronique [www.vevor.com/support](http://www.vevor.com/support)

### AFFÛTEUR DE FORETS

MODÈLE : MR-20 g

Nous continuons à nous engager à vous fournir des outils à des prix compétitifs.

"Économisez la moitié", "Moitié prix" ou toute autre expression similaire que nous utilisons ne représente qu'une estimation des économies dont vous pourriez bénéficier en achetant certains outils chez nous par rapport aux grandes marques et ne signifie pas nécessairement couvrir toutes les catégories d'outils proposés. par nous.

Nous vous rappelons de bien vouloir vérifier attentivement lorsque vous passez une commande chez nous si vous économisez réellement la moitié par rapport aux grandes marques.

# VEVOR<sup>®</sup> AFFÛTEUR DE FORETS

TOUGH TOOLS, HALF PRICE

MODÈLE : MR-20G



## BESOIN D'AIDE? CONTACTEZ-NOUS!

Vous avez des questions sur les produits ? Besoin d'une assistance technique ?  
N'hésitez pas

à nous contacter : Support technique et certificat de garantie  
électronique [www.vevor.com/support](http://www.vevor.com/support)

Il s'agit des instructions originales, veuillez lire attentivement toutes les instructions du manuel avant de l'utiliser. VEVOR se réserve une interprétation claire de notre manuel d'utilisation. L'apparence du produit dépend du produit que vous avez reçu. Veuillez nous pardonner que nous ne vous informerons plus s'il y a des mises à jour technologiques ou logicielles sur notre produit.

	Avertissement-Pour réduire le risque de blessure, l'utilisateur doit lire attentivement le manuel d'instructions.
  	Portez toujours des lunettes de sécurité approuvées par l'ANSI lorsque vous travaillez avec des outils et du matériel. Portez des lunettes de protection. Portez une protection auditive. Portez des gants de protection.
 	La conformité est une certification de sécurité CE et Royaume-Uni.
	<b>ÉLIMINATION CORRECTE</b> Ce produit est soumis aux dispositions de la directive européenne 2012/19/CE. Le symbole représentant une poubelle barrée à travers indique que le produit nécessite des déchets séparés collection dans l'Union européenne. Ceci s'applique au produit et tous les accessoires marqués de ce symbole. Des produits marqués comme tels ne peuvent pas être jetés avec les déchets domestiques normaux. déchet, mais doit être déposé dans un point de collecte pour recyclage appareils électriques et électroniques

## Avertissements et précautions de sécurité

Merci d'avoir utilisé ce produit. Afin de vous assurer que vous pouvez utiliser la machine correctement, lisez attentivement ces instructions avant fonctionnement et conservez-le correctement pour référence future. S'il vous plaît assurez-vous de lire les précautions et les règles de sécurité de cette page pour garantir votre utilisation en toute sécurité. Ce Le manuel décrira les avertissements et les précautions de sécurité, le fonctionnement, l'entretien et le nettoyage. Les avertissements et les instructions examinés dans ce Le manuel ne peut pas couvrir toutes les conditions et situations possibles qui peuvent survenir. La prudence et le bon sens ne sont pas inhérents à ce produit, car nous pensons que les utilisations seront conformes à ces codes.

## Veillez lire TOUTES les instructions avant d'utiliser votre machine.

1. Gardez la zone de travail propre. Les zones encombrées sont propices aux blessures.
2. Observez les conditions de la zone de travail. N'utilisez pas de machines ou d'outils électriques dans endroits humides ou mouillés. Ne pas exposer à la pluie. Gardez la zone de travail bien éclairée.  
N'utilisez pas d'outils électriques en présence de gaz inflammables  
ou des liquides.
3. Éloignez les enfants. Les enfants ne doivent jamais être autorisés dans la zone de travail. Ne les laissez pas manipuler des machines, des outils ou des rallonges.
4. Rangez le matériel inutilisé. Lorsqu'ils ne sont pas utilisés, les outils doivent être stockés dans un endroit sec emplacement pour empêcher la rouille. Verrouillez toujours les outils et gardez-les hors de portée des enfants.
5. Utilisez le bon outil pour le travail. N'essayez pas de forcer un petit outil ou accessoire pour faire le travail d'un outil industriel plus grand. Il y a certains applications pour lesquelles cet outil a été conçu. Cela fera mieux le travail et plus sûr au rythme pour lequel il était prévu. Ne modifiez pas cet outil et n'utilisez pas cet outil à des fins pour lesquelles il n'est pas destiné.
6. Habillez-vous correctement. Ne portez pas de vêtements amples ni de bijoux car ils peuvent être coincé dans les pièces mobiles.  
Des vêtements de protection non conducteurs et des chaussures antidérapantes sont recommandé lorsque vous travaillez. Portez un couvre-cheveux restrictif pour contenir les cheveux longs  
cheveux
7. Utilisez une protection pour les yeux et les oreilles. Portez toujours des vêtements de sécurité contre les chocs approuvés par l'ANSI. des lunettes de protection. Portez un écran facial complet si vous produisez de la limaille de métal ou du bois.  
puces.
8. N'allez pas trop loin. Gardez une bonne assise et un bon équilibre à tout moment. Ne pas atteindre par-dessus ou à travers les machines en marche.
9. Entretenez les outils avec soin. Gardez les outils affûtés et propres pour une meilleure des performances plus sûres. Suivez les instructions pour lubrifier et changer accessoires. Inspectez périodiquement les cordons des outils et, s'ils sont endommagés, faites-les réparé par un technicien agréé. Les poignées doivent être maintenues propres, sèches et exemptes d'huile et de graisse à tout moment. Veuillez éteindre et débrancher avant l'entretien et le nettoyage.
10. Évitez les démarrages involontaires. Assurez-vous que l'interrupteur est en position Off lorsqu'il n'est pas utilisé et avant de le brancher.



11. Restez vigilant. Regardez ce que vous faites, faites preuve de bon sens. Ne pas utiliser n'importe quel outil lorsque vous êtes fatigué.

12. Vérifiez les pièces endommagées. Avant d'utiliser un outil, toute pièce qui semble endommagé doit être soigneusement vérifié pour déterminer qu'il sera fonctionner correctement et remplir la fonction prévue. Vérifier l'alignement et la liaison des pièces mobiles ; toute pièce ou dispositif de montage cassé ; et toute autre condition pouvant affecter le bon fonctionnement. Toute partie qui est endommagé doit être correctement réparé ou remplacé par un technicien qualifié. N'utilisez pas l'outil si un interrupteur ne s'allume pas et ne s'éteint pas correctement.

13. Protégez-vous contre les chocs électriques. Éviter tout contact corporel avec des appareils mis à la terre surfaces telles que les tuyaux, les radiateurs, les cuisinières et les enceintes de réfrigérateur.

14. Pièces de rechange et accessoires. Lors de l'entretien, utilisez uniquement pièces de rechange identiques. L'utilisation de toute autre pièce annulera la garantie. Utilisez uniquement des accessoires destinés à être utilisés avec l'outil.

15. N'utilisez pas l'outil si vous êtes sous l'influence de l'alcool ou de drogues. Lisez les étiquettes d'avertissement sur les ordonnances pour déterminer si votre jugement ou les réflexes sont altérés lors de la prise de drogues. En cas de doute, ne le faites pas faire fonctionner l'outil.

16. Entretien. Pour votre sécurité, l'entretien doit être effectué régulièrement par un technicien qualifié.

17. N'utilisez jamais la machine à proximité de matériaux inflammables.

18. Ne plongez PAS l'appareil dans l'eau ou tout autre liquide.

19. Ce produit ne peut pas être utilisé à d'autres fins. Pas adapté pour un usage commercial. UTILISATION EN INTÉRIEUR UNIQUEMENT.

20. N'utilisez pas d'alcool, d'essence, etc. comme liquide de refroidissement.

21. Gardez les spectateurs à une distance sécuritaire de la zone de travail. N'importe qui entrer dans la zone de travail doit porter un équipement de protection individuelle. Des fragments de pièce ou d'un accessoire cassé peuvent s'envoler et provoquer blessure au-delà de la zone d'opération immédiate.

22. Les opérations pour lesquelles l'outil électrique n'a pas été conçu peuvent créer un danger et causer des blessures.

23. N'utilisez pas d'accessoires qui ne sont pas spécifiquement conçus et recommandé par le fabricant de l'outil. Tout simplement parce que l'accessoire peut être fixé à votre outil électrique, il ne garantit pas un fonctionnement sûr.

24. La vitesse nominale de l'accessoire doit être au moins égale à la vitesse maximale indiquée dans le manuel d'utilisation. Les accessoires fonctionnent plus vite que leur vitesse nominale peut se briser et s'envoler.


25. Cet appareil n'est pas destiné à être utilisé par des personnes jeunes ou infirmes à moins d'être supervisé par une personne responsable pour s'assurer qu'ils peuvent utiliser le produit en toute sécurité. Les jeunes enfants doivent être surveillés pour s'assurer qu'ils ne jouent pas avec l'appareil. Les enfants et les animaux domestiques doivent rester à l'écart du produit.

26. N'utilisez pas cet appareil à d'autres fins que l'utilisation indiquée.

27. Ne l'utilisez pas à l'extérieur ou à des fins commerciales. 29. NE PAS NETTOYEZ-LE AVEC N'IMPORTE QUEL MATÉRIAU ABRASIF.

28. Ne le laissez jamais sans surveillance pendant son utilisation.

Remarque : les performances de cet outil (s'il est alimenté par la tension secteur) peuvent varier en fonction des variations de tension de ligne locale. Utilisation de la rallonge peut également affecter les performances de l'outil.

 Avertissement : les avertissements, mises en garde et instructions abordés dans cette instruction discutée dans ce manuel d'instructions ne peut pas couvrir tous les conditions et situations possibles qui peuvent survenir. Ce doit être compris par l'opérateur que le bon sens et la prudence sont de mise. facteurs qui ne peuvent pas être intégrés à ce produit, mais doivent être fournis par l'opérateur de l'outil.

29. Si la meule se détache, éteignez immédiatement la machine et vérifiez qu'il est bien monté et qu'il n'est pas endommagé.

30. N'essayez jamais d'arrêter la meule avec vos mains, même si vous portez des gants de sécurité. La roue coupera les gants et votre main, provoquant des blessures graves. N'utilisez jamais l'outil sans la meule  
Couvrir en place.

31. Si le cordon d'alimentation est endommagé, il doit être remplacé par un cordon spécial ou assemblage disponible auprès du fabricant ou de son agent de service.

## CONSERVEZ CES INSTRUCTIONS

## APPLICATION PRINCIPALE ET CARACTÉRISTIQUES 1. Le meulage

est une opération précise et rapide, facile sans aucune compétence en matière de meulage.

2. Prix économique qui réduit considérablement le coût et améliore l'effet d'utilisation.

3. Avec une meule diamantée, il peut être équipé directement d'un angle précis et d'une longue durée de vie.

4. Le moteur à courant continu puissant et à commande électrique : fréquence stable, forte puissance et longue durée de vie.

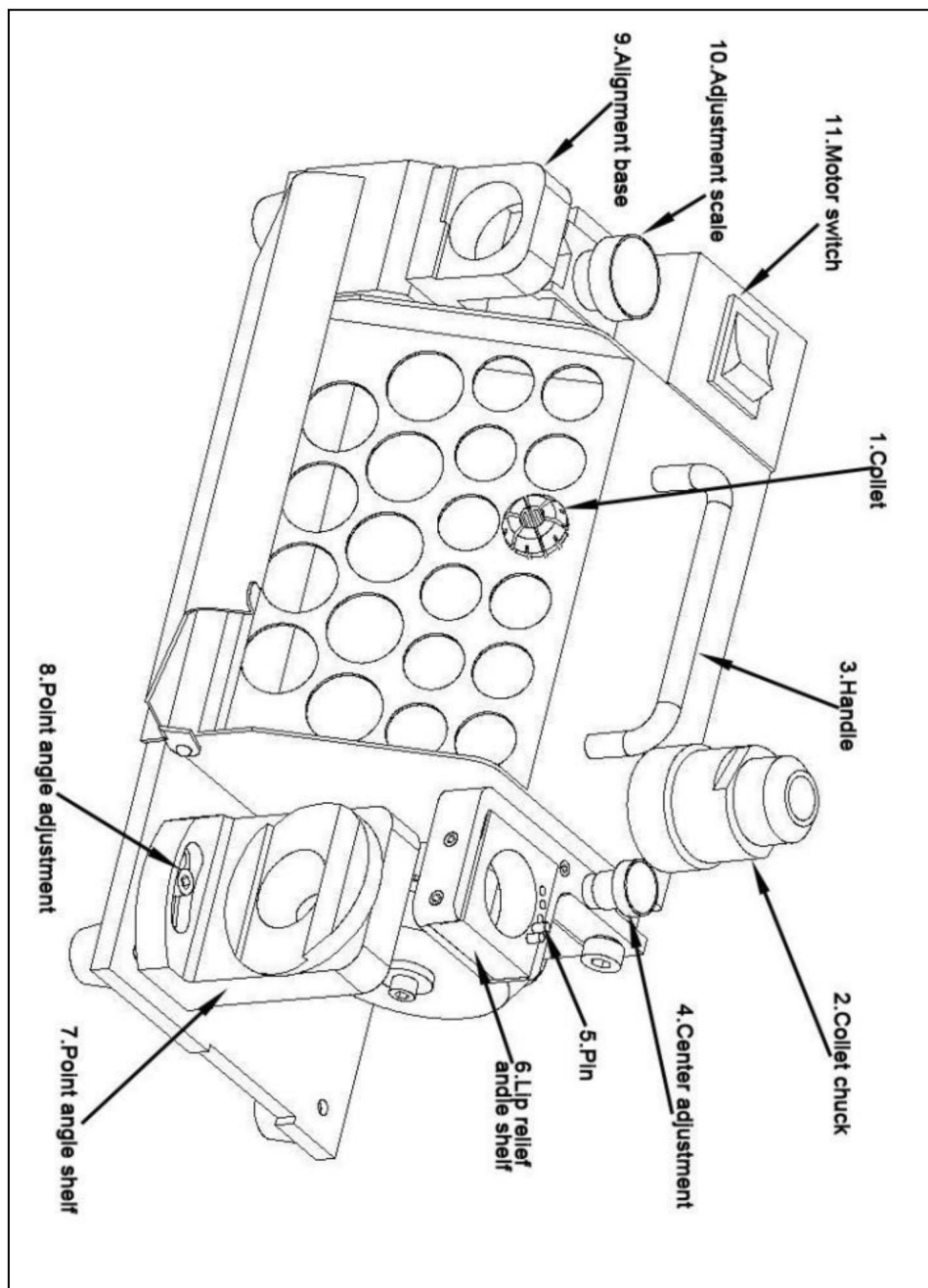
5. La machine est configurée avec la fonction d'ajuster la taille d'un point (point central), qui peut efficacement se coordonner avec le matériau du trou de forage et la vitesse de rotation. Il peut contrôler la précision de la qualité et prolonger la durée de vie du foret.

## PARAMÈTRES DU PRODUIT

MODÈLE	Tension	Moteur Pouvoir	AFFÛTAGE GAMME	INDIQUER ANGLE	LE CADRE ROUE G
MR-20G	Amérique du Nord: AC120V 60Hz	120W	Φ3~Φ 20mm	95°~ 135°	CBN (pour HSS)×1 SD (pour Carbure)×1
	européen Syndicat: AC220-240V 50 Hz				CBN (pour HSS)×1 SD (pour Carbure)×1

PIÈCES : pinces ER20 :  $\phi 3-\phi 13$  (11 pièces), pinces ER25 :  $\phi 14-\phi 20$  (7 pièces) mandrin à pince (ER20) × 1 Mors de pince (ER25) × 1 Fil électrique × 1 Clé

hexagonale 2 pièces



## OPÉRATIONS

A. Installez le foret sur le mandrin à pince ER.

\*Veuillez suivre les étapes 1 et 2 pour installer le foret sur le mandrin (sans contraction)

1. Déterminez le diamètre de votre foret, puis sélectionnez la pince de serrage appropriée et mandrin à pince.

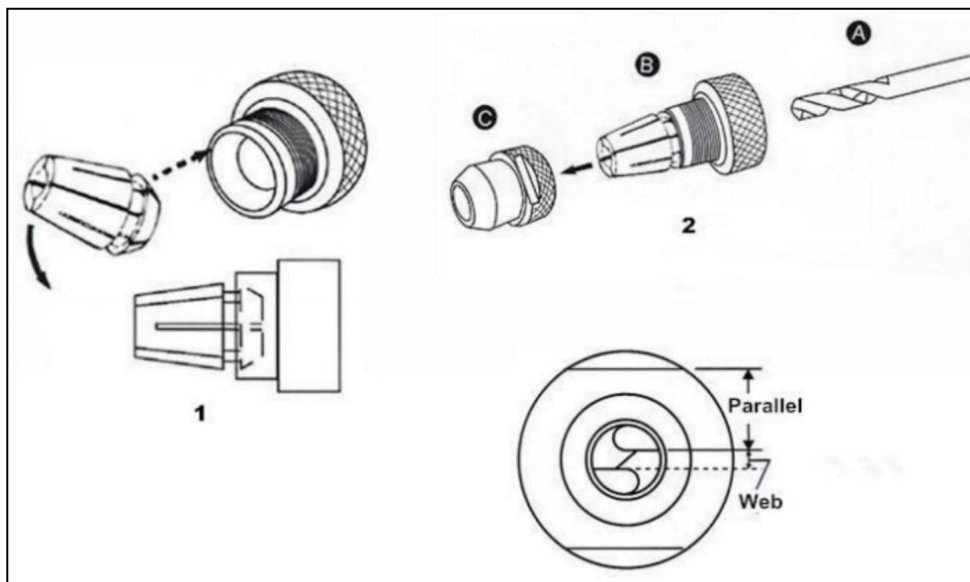
2. Insérez la pince dans le mandrin à pince selon un angle de 45° et serrez légèrement l'écrou.

3. Insérez le foret dans le mandrin à pince et les écrous à environ 35 mm de la pince.

mandrin, mais ne serrez pas trop fort le foret. Ne serrez

pas complètement l'écrou de serrage avec la pince de serrage, gardez le

perceuse réglable.



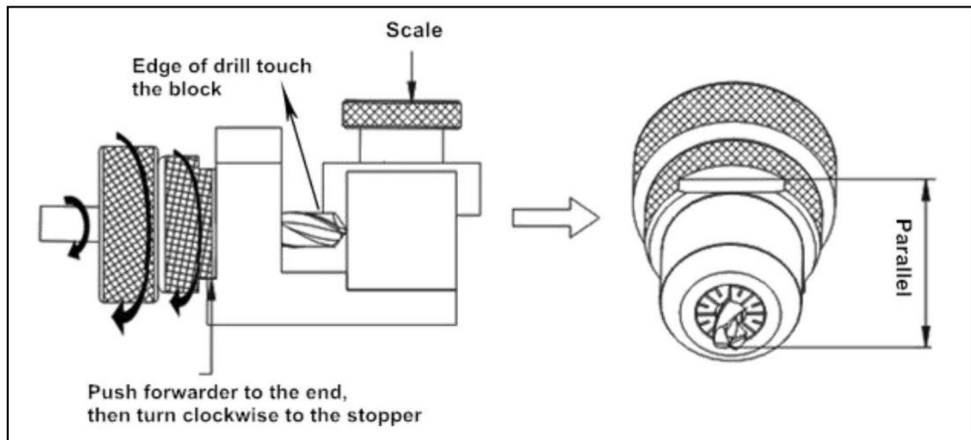
B. Aligner le foret

1. Réinitialisez la bague d'échelle : tournez la bague complètement dans le sens des aiguilles d'une montre, puis tournez-la dans le sens inverse des aiguilles d'une montre jusqu'au numéro identique à la taille de la perceuse.

2. Insérez le mandrin dans l'étagère de réglage de la bande. Ensuite, connectez-le fermement.

Tournez-le dans le sens des aiguilles d'une montre jusqu'au bout.

3. Branchez la perceuse jusqu'au bout et tournez-la dans le sens des aiguilles d'une montre jusqu'au bout.
  4. Tournez le mandrin dans le sens des aiguilles d'une montre jusqu'au bout et serrez-le.
  5. Tournez légèrement le mandrin dans le sens inverse des aiguilles d'une montre et retirez-le doucement.
- Assurez-vous que la lèvre coupante du foret est parallèle à la fente de serrage.
- écrou avant le début du travail de meulage. S'il n'est pas parallèle, ajustez-le à nouveau.



Attention : Si la lèvre de coupe est vers le bas, il faut augmenter l'échelle de la bande. étagère de réglage. S'il est ascendant, veuillez diminuer l'échelle du Web étagère de réglage.

Lorsque la longueur de la flûte d'un foret devient plus courte, l'épaisseur de l'âme d'un foret deviendrait plus épais. Ainsi, pour un même diamètre de forets, plus longueur d'une perceuse, l'échelle supérieure de l'étagère de réglage de la bande doit être augmenté.

### C. Meuler l'angle de la pointe

Allumez l'interrupteur d'alimentation et attendez que la rotation du moteur soit stable (environ 10 secondes), placez le mandrin dans l'étagère de meulage d'angle de pointe.

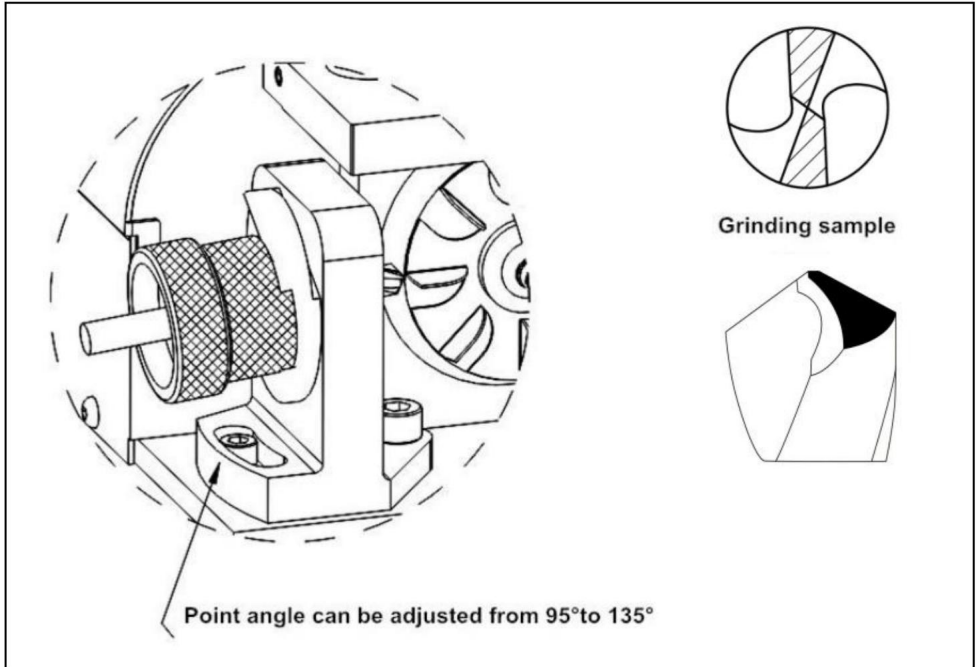
La fente de l'écrou de serrage doit s'adapter aux deux broches de la grille de broyage.

Insérez doucement la perceuse dans la grille de meulage jusqu'à atteindre la meule.

Meulez la perceuse en vous déplaçant vers la gauche et la droite jusqu'à ce que le bruit de meulage disparaisse.

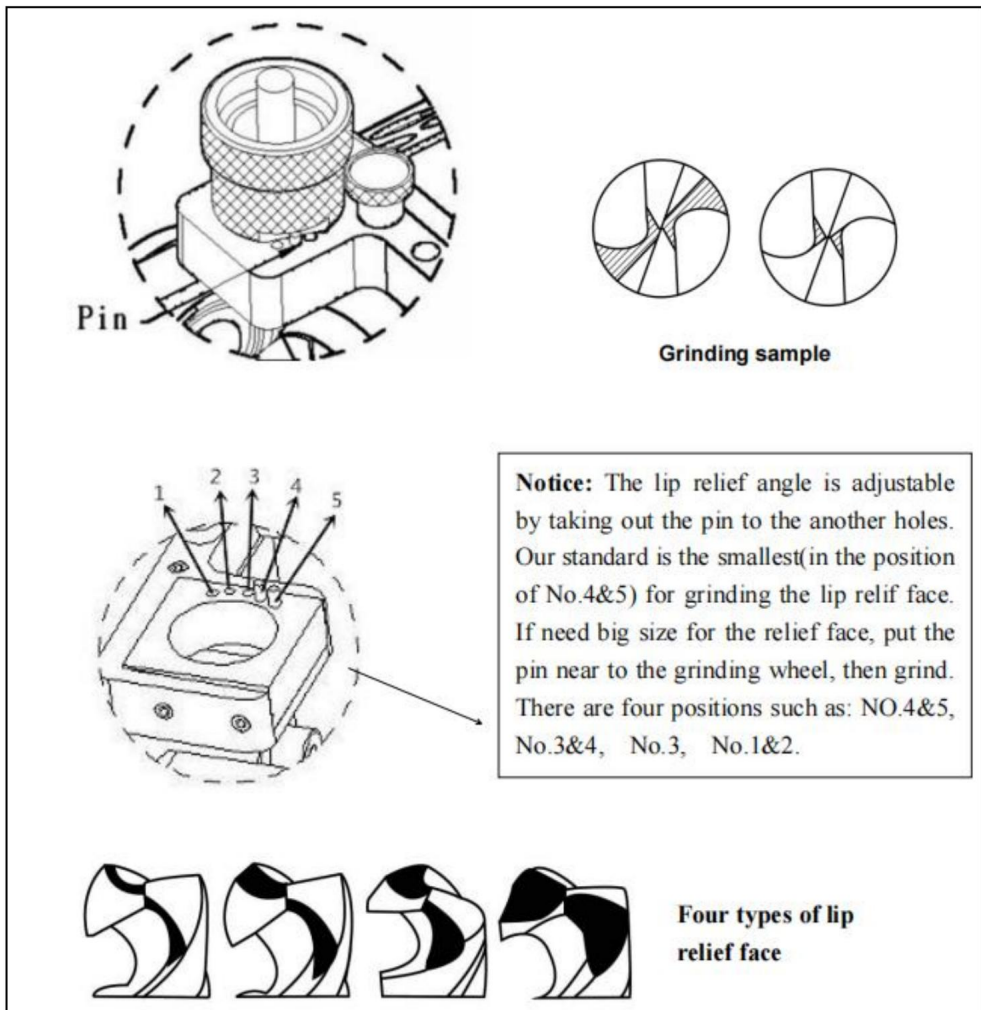
Et puis tournez-vous de l'autre côté, faites de même pour affûter la perceuse.

- \* La taille de meulage du foret est de 2 mm à 13 mm (15 mm)
- \* L'angle de pointe du foret est de 95° à 135°.
- \* Pendant le meulage, ne tenez pas la tige du foret, cela affecterait la précision.



#### D. Meuler l'angle de dégagement des lèvres

Placez le mandrin dans l'étagère de séparation des points. La fente de l'écrou de serrage doit s'adapter à la goupille de la grille de broyage. Insérez doucement la perceuse dans la grille de meulage jusqu'à atteindre la meule. Meulez la perceuse en vous déplaçant à gauche et à droite jusqu'à ce que le bruit de grincement disparaît. Retournez au centre de la goupille et retirez-la, puis tournez-vous de l'autre côté, faites de même pour affûter la perceuse.



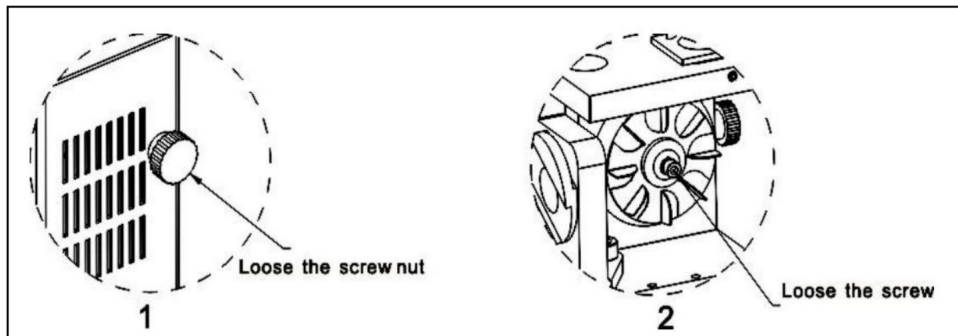
## NETTOYAGE ET ENTRETIEN

Veillez nettoyer l'ensemble de l'appareil avec une soufflette à air comprimé, en particulier les trous, avant et après utilisation.



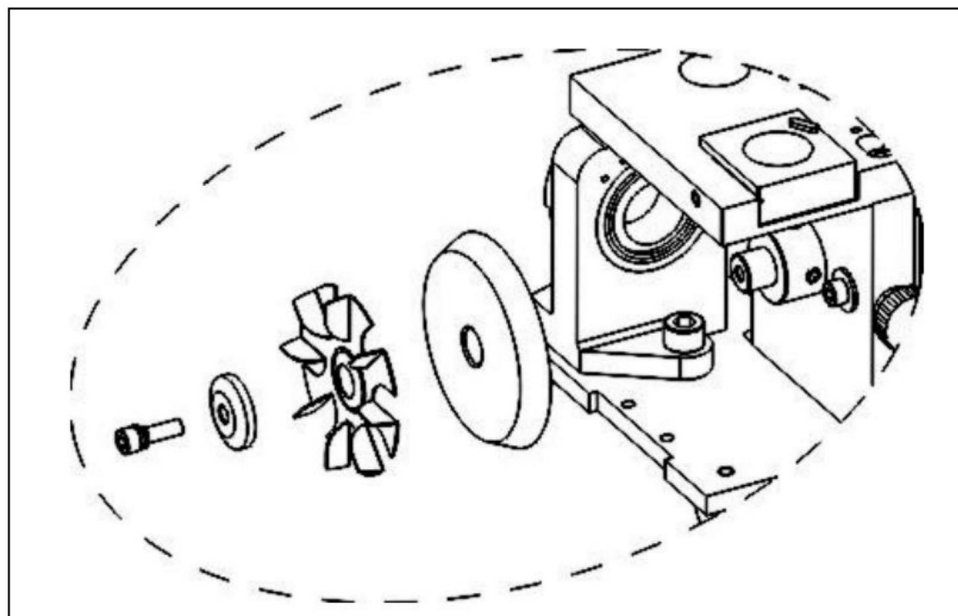
## REPLACEMENT DE LA ROUE

### A. Ouvrez l'enjolveur de roue



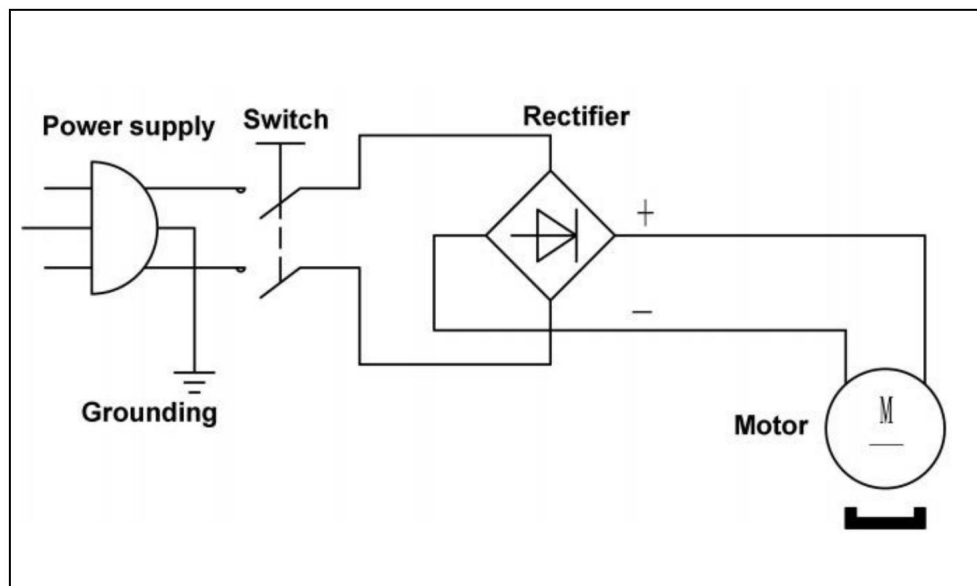
1. Assurez-vous que le cordon d'alimentation est débranché en toute sécurité. 2. Utilisez ensuite la clé hexagonale de 4 mm pour desserrer la vis afin d'ouvrir le couvercle.

### B. Retirez la meule



1. Utilisez la brosse pour nettoyer la machine, puis utilisez un chiffon sec pour nettoyer le surface.
2. Si vous utilisez simplement la machine, veuillez attendre 3 minutes après le broyage la température est en baisse.
3. Utilisez la main gauche pour tenir la roue, puis utilisez la clé hexagonale de 4 mm pour desserrer la vis dans le sens antihoraire avec la main droite.
4. Retirez la meule diamantée de la machine.
5. Remplacez la nouvelle meule.
6. Placez la roue dans l'axe principal du moteur, serrez la vis et l'enjoliveur pour terminer.

Remarque : l'axe principal du moteur est très précis, si un mauvais travail peut entraîner les dommages, affectant ainsi la position de la meule.

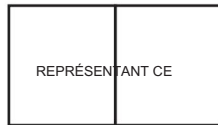


Adresse : Baoshanqu Shuangchenglu 803long 11hao 1602A-1609shi Shanghai Importé  
aux États-

Unis : Sanven Technology Ltd. Suite 250, 9166 Anaheim Place, Rancho Cucamonga,  
CA 91730



Groupe Pooledas Ltd  
Unité 5 Maison Albert Edward, Les Pavillons  
Preston, Royaume-Uni



SHUNSHUN GmbH  
Römeräcker 9 Z2021, 76351  
Linkenheim-Hochstetten, Allemagne

Fabriqué en Chine

**VEVOR<sup>®</sup>**

**TOUGH TOOLS, HALF PRICE**

Assistance technique et certificat de garantie  
électronique [www.vevor.com/support](http://www.vevor.com/support)

# **VEVOR<sup>®</sup>**

## **TOUGH TOOLS, HALF PRICE**

Zertifikat für technischen Support und E-Garantie [www.vevor.com/support](http://www.vevor.com/support)

### **BOHRERSCHÄRFER**

**MODELL: MR-20G**

Wir sind weiterhin bestrebt, Ihnen Werkzeuge zu wettbewerbsfähigen Preisen anzubieten.

„Sparen Sie die Hälfte“, „Halber Preis“ oder andere ähnliche von uns verwendete Ausdrücke stellen nur eine Schätzung der Einsparungen dar, die Sie durch den Kauf bestimmter Werkzeuge bei uns im Vergleich zu den großen Top-Marken erzielen könnten, und bedeuten nicht unbedingt, dass alle angebotenen Werkzeugkategorien abgedeckt werden von uns. Bitte prüfen Sie bei Ihrer Bestellung sorgfältig, ob Sie im Vergleich zu den Top-Marken tatsächlich die Hälfte sparen.

# VEVOR<sup>®</sup> BOHRERSCHÄRFER

TOUGH TOOLS, HALF PRICE

MODELL: MR-20G








## BRAUCHEN SIE HILFE? KONTAKTIERE UNS!

Haben Sie Fragen zum Produkt? Benötigen Sie technische Unterstützung? Bitte kontaktieren

Sie uns: **Technischer Support und E-Garantie-zertifikat**  
**[www.vevor.com/support](http://www.vevor.com/support)**

Dies ist die Originalanleitung. Bitte lesen Sie alle Bedienungsanleitungen sorgfältig durch, bevor Sie das Gerät in Betrieb nehmen. VEVOR behält sich eine klare Auslegung unserer Bedienungsanleitung vor. Das Aussehen des Produkts hängt von dem Produkt ab, das Sie erhalten haben. Bitte entschuldigen Sie, dass wir Sie nicht erneut informieren, wenn es zu unserem Produkt technische oder Software-Updates gibt.

	<p>Warnung – Um das Verletzungsrisiko zu verringern, muss der Benutzer diese lesen</p> <p>Lesen Sie die Bedienungsanleitung sorgfältig durch.</p>
  	<p>Tragen Sie bei der Arbeit immer eine von der ANSI zugelassene Schutzbrille mit Werkzeugen und Geräten.</p> <p>Tragen Sie einen Augenschutz.</p> <p>Tragen Sie einen Gehörschutz.</p> <p>Schutzhandschuhe tragen.</p>
	<p>Compliance ist eine EG- und UK-Sicherheitszertifizierung.</p>
	<p><b>RICHTIGE ENTSORGUNG</b></p> <p>Dieses Produkt unterliegt den Bestimmungen der europäischen Richtlinie 2012/19/EG. Das Symbol einer durchgestrichenen Mülltonne</p> <p>Durch bedeutet, dass das Produkt getrennt entsorgt werden muss</p> <p>Sammlung in der Europäischen Union. Dies gilt für das Produkt</p> <p>und alle mit diesem Symbol gekennzeichneten Zubehörteile. Produkte</p> <p>Als solche gekennzeichnete Geräte dürfen nicht im normalen Hausmüll entsorgt werden</p> <p>Abfall, muss aber zur Wiederverwertung an einer Sammelstelle abgegeben werden</p> <p>elektrische und elektronische Geräte</p>

## Sicherheitswarnungen und Vorsichtsmaßnahmen

Vielen Dank, dass Sie dieses Produkt verwenden. Um sicherzustellen, dass Sie es können

Um die Maschine richtig zu bedienen, lesen Sie diese Anleitung vorher sorgfältig durch

Bedienung und bewahren Sie es zum späteren Nachschlagen ordnungsgemäß auf. Bitte unbedingt lesen

Beachten Sie die Vorsichtsmaßnahmen und Sicherheitsregeln auf dieser Seite, um eine sichere Verwendung zu gewährleisten. Das

Das Handbuch beschreibt Sicherheitswarnungen und Vorsichtsmaßnahmen sowie Bedienung,

Wartung und Reinigung. Die hier besprochenen Warnungen und Anweisungen

Das Handbuch kann nicht alle möglichen Bedingungen und Situationen abdecken, die auftreten können.

Vorsicht und gesunder Menschenverstand sind in diesem Produkt unserer Meinung nach nicht eingebaut

dass die Nutzungen diesen Kodizes entsprechen.

## **Bitte lesen Sie ALLE Anweisungen, bevor Sie Ihre Maschine verwenden.**

- 1. Halten Sie den Arbeitsbereich sauber.** Unaufgeräumte Bereiche laden zu Verletzungen ein.
- 2. Beachten Sie die Bedingungen im Arbeitsbereich.** Benutzen Sie keine Maschinen oder Elektrowerkzeuge in feuchte oder nasse Orte. Nicht dem Regen aussetzen. Halten Sie den Arbeitsbereich gut beleuchtet. Benutzen Sie keine elektrisch betriebenen Werkzeuge in der Nähe von brennbaren Gasen oder Flüssigkeiten.
- 3. Halten Sie Kinder fern.** Kinder dürfen sich niemals im Arbeitsbereich aufhalten. Lassen Sie sie nicht mit Maschinen, Werkzeugen oder Verlängerungskabeln hantieren.
- 4. Lagern Sie ungenutzte Geräte.** Bei Nichtgebrauch müssen Werkzeuge trocken gelagert werden Ort, um Rost zu verhindern. Werkzeuge immer verschließen und außerhalb der Reichweite aufbewahren Kinder.
- 5. Verwenden Sie das richtige Werkzeug für den Job.** Versuchen Sie nicht, ein kleines Werkzeug oder ein kleines Werkzeug mit Gewalt zu benutzen Aufsatz, um die Arbeit eines größeren Industrierwerkzeugs zu erledigen. Es gibt bestimmte Anwendungen, für die dieses Tool entwickelt wurde. Es wird die Arbeit besser machen und sicherer mit der Geschwindigkeit, für die es vorgesehen war. Modifizieren Sie dieses Tool nicht und verwenden Sie dieses Werkzeug nicht für einen Zweck, für den es nicht vorgesehen ist.
- 6. Kleide dich richtig.** Tragen Sie möglichst keine weite Kleidung oder Schmuck von beweglichen Teilen erfasst werden. Schützende, elektrisch nicht leitende Kleidung und rutschfestes Schuhwerk sind erforderlich Empfohlen beim Arbeiten. Tragen Sie eine restriktive Haarbedeckung, um lange Haare einzudämmen Haar
- 7. Tragen Sie Augen- und Gehörschutz.** Tragen Sie immer einen ANSI-zugelassenen Aufprallschutz Brille. Tragen Sie einen Vollgesichtsschutz, wenn Sie Metallspäne oder Holz produzieren Chips.
- 8. Übertreiben Sie es nicht.** Achten Sie jederzeit auf den richtigen Stand und das Gleichgewicht. Nicht über oder quer über laufende Maschinen greifen.
- 9. Behandeln Sie Werkzeuge sorgfältig.** Halten Sie die Werkzeuge scharf und sauber, um bessere Ergebnisse zu erzielen sicherere Leistung. Befolgen Sie die Anweisungen zum Schmieren und Wechseln Zubehör. Überprüfen Sie die Werkzeugkabel regelmäßig und lassen Sie sie bei Beschädigung auswechseln von einem autorisierten Techniker repariert werden. Die Griffe müssen jederzeit sauber, trocken und frei von Öl und Fett gehalten werden. Bitte schalten Sie das Gerät aus und ziehen Sie den Netzstecker vor der Wartung und Reinigung.
- 10. Vermeiden Sie unbeabsichtigtes Starten.** Stellen Sie sicher, dass sich der Schalter in der Aus-Position befindet bei Nichtgebrauch und vor dem Anschließen.



11. **Bleiben Sie wachsam.** Passen Sie auf, was Sie tun, nutzen Sie Ihren gesunden Menschenverstand. Nicht Bedienen Sie kein Werkzeug, wenn Sie müde sind.

12. **Auf beschädigte Teile prüfen.** Bevor Sie ein Werkzeug oder ein Teil davon verwenden beschädigt erscheint, sollte sorgfältig überprüft werden, um festzustellen, ob dies der Fall ist ordnungsgemäß funktionieren und die vorgesehene Funktion erfüllen. Überprüfen Sie die Ausrichtung und Bindung beweglicher Teile; alle defekten Teile oder Montagevorrichtungen; Und jede andere Bedingung, die den ordnungsgemäßen Betrieb beeinträchtigen könnte. Irgendein Teil, der ist Beschädigte Geräte sollten von einem qualifizierten Techniker ordnungsgemäß repariert oder ersetzt werden. Benutzen Sie das Werkzeug nicht, wenn sich ein Schalter nicht richtig ein- und ausschalten lässt.

13. **Schützen Sie sich vor Stromschlägen.** Vermeiden Sie Körperkontakt mit geerdeten Personen Oberflächen wie Rohre, Heizkörper, Herde und Kühlschrankgehäuse.

14. **Ersatzteile und Zubehör.** Bei Wartungsarbeiten nur verwenden identische Ersatzteile. Bei Verwendung anderer Teile erlischt die Garantie.

Verwenden Sie nur Zubehör, das für die Verwendung mit dem Werkzeug vorgesehen ist.

15. **Benutzen Sie das Werkzeug nicht, wenn Sie unter Alkohol- oder Drogeneinfluss stehen.**

Lesen Sie die Warnhinweise auf Rezepten, um festzustellen, ob Ihr Urteil bzw

Bei der Einnahme von Medikamenten sind die Reflexe beeinträchtigt. Wenn Sie irgendwelche Zweifel haben, tun Sie es nicht Betreiben Sie das Werkzeug.

16. **Wartung.** Zu Ihrer Sicherheit sollten Wartungsarbeiten durchgeführt werden regelmäßig durch einen qualifizierten Techniker.

17. Benutzen Sie die Maschine niemals in der Nähe von brennbaren Materialien.

18. Tauchen Sie das Gerät **NICHT** in Wasser oder andere Flüssigkeiten.

19. Dieses Produkt darf nicht für andere Zwecke verwendet werden. Nicht geeignet für Kommerzielle Benutzung. **NUR INNEN BENUTZEN.**

20. Verwenden Sie keinen Alkohol, Benzin usw. als Kühlmittel.

21. **Halten Sie umstehende Personen einen Sicherheitsabstand zum Arbeitsbereich ein. Irgendjemand Beim Betreten des Arbeitsbereichs ist das Tragen persönlicher Schutzausrüstung erforderlich.**

Bruchstücke eines Werkstücks oder eines zerbrochenen Zubehörs können wegfiegen und Schäden verursachen Verletzung außerhalb des unmittelbaren Einsatzbereichs.

22. **Es können Arbeiten entstehen, für die das Elektrowerkzeug nicht ausgelegt ist eine Gefahr darstellen und Personenschäden verursachen.**

23. **Verwenden Sie kein Zubehör, das nicht speziell dafür entwickelt wurde vom Werkzeughersteller empfohlen.** Nur wegen dem Accessoire

an Ihr Elektrowerkzeug angeschlossen werden kann, gewährleistet es keinen sicheren Betrieb.

**24. Die Nenngeschwindigkeit des Zubehörs muss mindestens der entsprechen**

**Höchstgeschwindigkeit, die in der Bedienungsanleitung angegeben ist.** Zubehör läuft schneller als ihre Nenngeschwindigkeit, können brechen und auseinanderfliegen.

**25. Dieses Gerät ist nicht für die Verwendung durch junge oder gebrechliche Personen bestimmt**


es sei denn, sie werden von einer verantwortlichen Person beaufsichtigt, um sicherzustellen, dass sie das Gerät nutzen können  
Bewahren Sie das Gerät sicher auf. Kleine Kinder sollten beaufsichtigt werden, um sicherzustellen, dass sie  
Spielen Sie nicht mit dem Gerät. Kinder und Haustiere sollten ferngehalten werden  
das Produkt.

**26. Benutzen Sie dieses Gerät nicht für andere Zwecke als den angegebenen.**

**27. Benutzen Sie es nicht im Freien oder für kommerzielle Zwecke. 29. NICHT REINIGEN SIE ES MIT SCHLEIFMITTELN.**

**28. Lassen Sie es während des Gebrauchs niemals unbeaufsichtigt.**

**Hinweis: Die Leistung dieses Werkzeugs (sofern es mit Netzspannung betrieben wird) kann variieren abhängig von Schwankungen der örtlichen Netzspannung. Verwendung von Verlängerungskabeln kann sich auch auf die Leistung des Werkzeugs auswirken.**

 **Warnung: Die Warnungen, Vorsichtsmaßnahmen und Anweisungen, die in besprochen werden Die in dieser Bedienungsanleitung besprochenen Anweisungen können nicht alle Aspekte abdecken mögliche Bedingungen und Situationen, die auftreten können. Es muss sein Der Bediener versteht, dass gesunder Menschenverstand und Vorsicht wichtig sind Faktoren, die nicht in dieses Produkt eingebaut werden können, sondern bereitgestellt werden müssen durch den Betreiber des Werkzeugs.**

**29. Wenn sich die Schleifscheibe löst, schalten Sie die Maschine sofort aus und prüfen Sie, ob es fest montiert ist und keine Beschädigungen aufweist.**

**30. Versuchen Sie niemals, die Schleifscheibe mit den Händen anzuhalten, auch wenn Sie es tun Tragen von Schutzhandschuhen. Das Rad schneidet durch Handschuhe und Ihre Hand und verursacht schwere Verletzungen. Betreiben Sie das Werkzeug niemals ohne die **Schleifscheibe** Abdeckung an Ort und Stelle.**

**31. Wenn das Netzkabel beschädigt ist, muss es durch ein Spezialkabel oder ersetzt werden Die Montage ist beim Hersteller oder seinem Kundendienst erhältlich.**

## **ANLEITUNG AUFBEWAHREN**

**HAUPTANWENDUNG UND EIGENSCHAFTEN 1. Das**

Schleifen ist präzise und schnell, einfache Bedienung ohne Schleifkenntnisse.

2. Wirtschaftlicher Preis, der die Kosten erheblich senkt und den Nutzungseffekt verbessert.

3. Mit der Diamantschleifscheibe kann sie direkt mit einem genauen Winkel und einer langen Lebensdauer ausgestattet werden.

4. Der elektrisch gesteuerte und leistungsstarke Gleichstrommotor: stabile Frequenz, starke Leistung und lange Lebensdauer.

5. Die Maschine ist mit der Funktion zur Einstellung einer Punktgröße (Mittelpunkt) ausgestattet, die effektiv mit dem Material des Bohrlochs und der Rotationsgeschwindigkeit koordiniert werden kann. Es kann die Qualitätspräzision kontrollieren und die Lebensdauer des Bohrers verlängern.

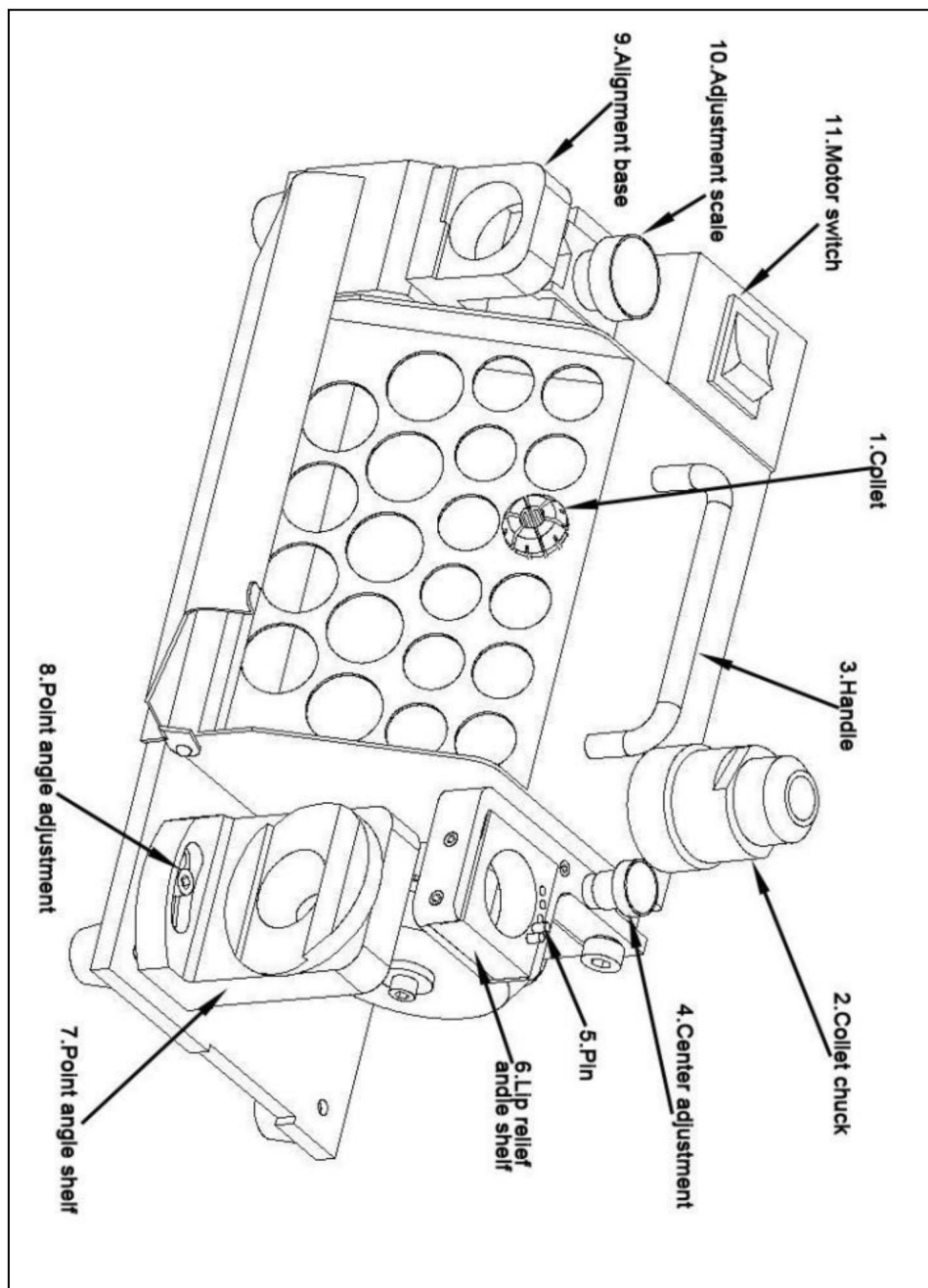
**PRODUKTPARAMETER**

<b>MODELL</b>	<b>Spannung</b>	<b>Motor Leistung</b>	<b>SCHLEIFEN REICHWEITE</b>	<b>PUNKT WINKEL</b>	<b>DER RAHMEN G-RAD</b>
MR-20G	Nordamerika: AC120V 60Hz	120W	ÿ3-ÿ 20mm	95°~ 135°	CBN (für HSS)×1 SD (für Hartmetall)×1
	europäisch Union: AC220-240V 50Hz				CBN (für HSS)×1 SD (für Hartmetall)×1

TEILE: ER20- Spannzangen: ÿ3-ÿ13 (11 Stück), ER25-Spannzangen: ÿ14-ÿ20 (7 Stück),

Spannzangenfutter (ER20) ×1      Spannzangenfutter (ER25)×1 Elektrokabel×1 2 Stück

Sechskantschlüssel



# OPERATIONEN

## A. Richten Sie den Bohrer am ER-Spannzangenfutter ein.

\*Bitte befolgen Sie Schritt 1,2, um den Bohrer am Bohrfutter anzubringen (ohne).

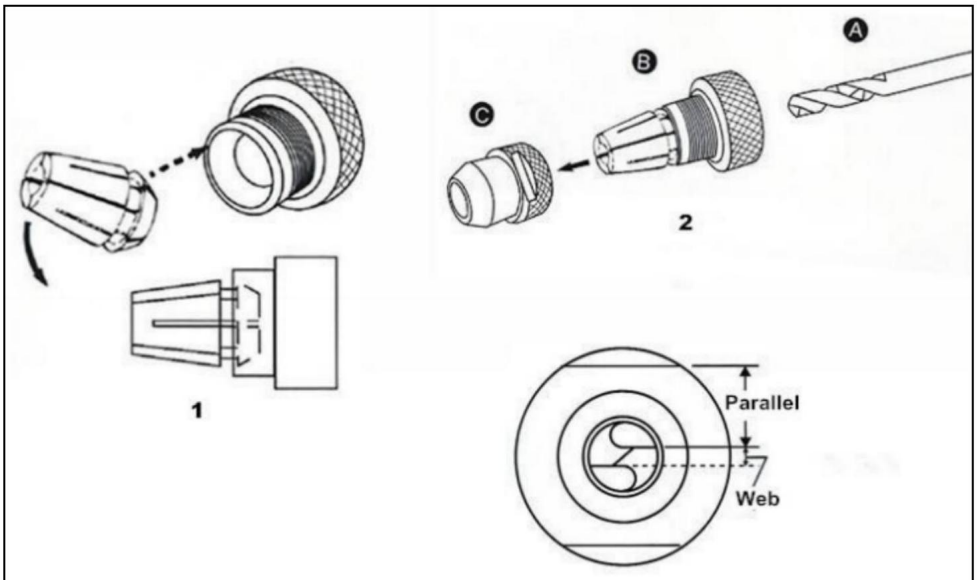
Anziehen)

1. Bestimmen Sie den Durchmesser Ihres Bohrers und wählen Sie dann die richtige Spannzange aus Spannzangenfutter.
2. Führen Sie die Spannzange im 45°-Winkel in das Spannzangenfutter ein und ziehen Sie die Mutter leicht fest.
3. Setzen Sie den Bohrer in die Spannzange ein und ziehen Sie die Muttern etwa 35 mm aus der Spannzange heraus

Spannfutter, aber ziehen Sie den Bohrer nicht zu fest an. ÿ

Ziehen Sie die Spannmutter nicht vollständig mit der Spannzange an, sondern halten Sie sie fest

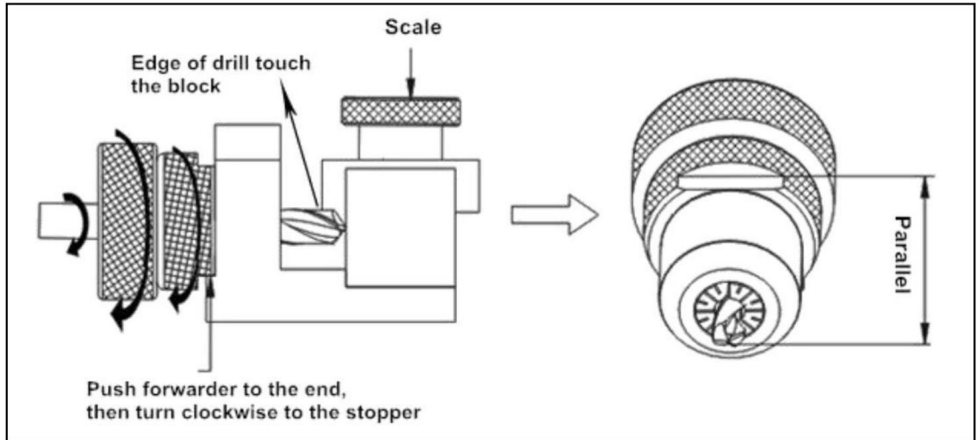
Bohrer verstellbar.



## B. Bohrer ausrichten

1. Setzen Sie den Skalenring zurück: Drehen Sie den Ring ganz im Uhrzeigersinn und drehen Sie ihn dann gegen den Uhrzeigersinn auf die Zahl, die der Größe des Bohrers entspricht.
2. Setzen Sie den Spannfuttersatz in die Bahneinstellplatte ein. Dann schließen Sie es fest an. Drehen Sie es im Uhrzeigersinn bis zum Ende.

3. Stecken Sie den Bohrer bis zum Ende ein und drehen Sie ihn im Uhrzeigersinn bis zum Ende.
4. Drehen Sie den Spannfuttersatz im Uhrzeigersinn bis zum Anschlag und ziehen Sie ihn fest.
5. Drehen Sie den Spannfuttersatz ein wenig gegen den Uhrzeigersinn und nehmen Sie ihn vorsichtig heraus. Stellen Sie sicher, dass die Schneidlippe des Bohrers parallel zum Klemmschlitz ist Mutter, bevor mit der Schleifarbeit begonnen wird. Wenn es nicht parallel ist, stellen Sie es erneut ein.



Achtung: Wenn die Schneidlippe nach unten zeigt, muss der Bahnmaßstab vergrößert werden Verstellregal. Wenn es nach oben zeigt, verkleinern Sie bitte den Maßstab des Webs Verstellregal.

Wenn die Spannutenlänge eines Bohrers kürzer wird, verringert sich die Stegdicke eines Bohrers würde dicker werden. Bei gleichem Bohrerdurchmesser also umso kürzer

Je länger ein Bohrer ist, desto höher muss der Maßstab des Stegeinstellregals sein erhöht.

### C. Schleifen Sie den Spitzenwinkel

Schalten Sie den Netzschalter ein und warten Sie, bis die Motordrehung stabil ist (ca 10 Sekunden), legen Sie den Spannfuttersatz in die Spitzenwinkel-Schleifablage.

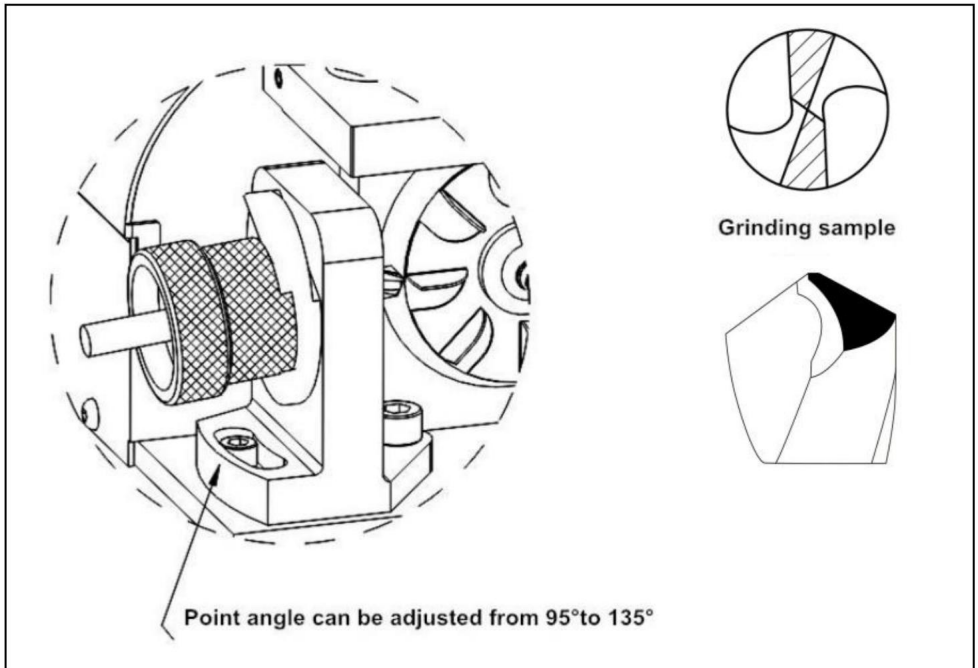
Der Schlitz der Spannmutter muss zu den beiden Stiften der Mahlplatte passen.

Führen Sie den Bohrer vorsichtig in die Schleifplatte ein, bis er die Schleifscheibe erreicht.

Schleifen Sie den Bohrer, indem Sie ihn nach links und rechts bewegen, bis das Schleifgeräusch verschwindet.

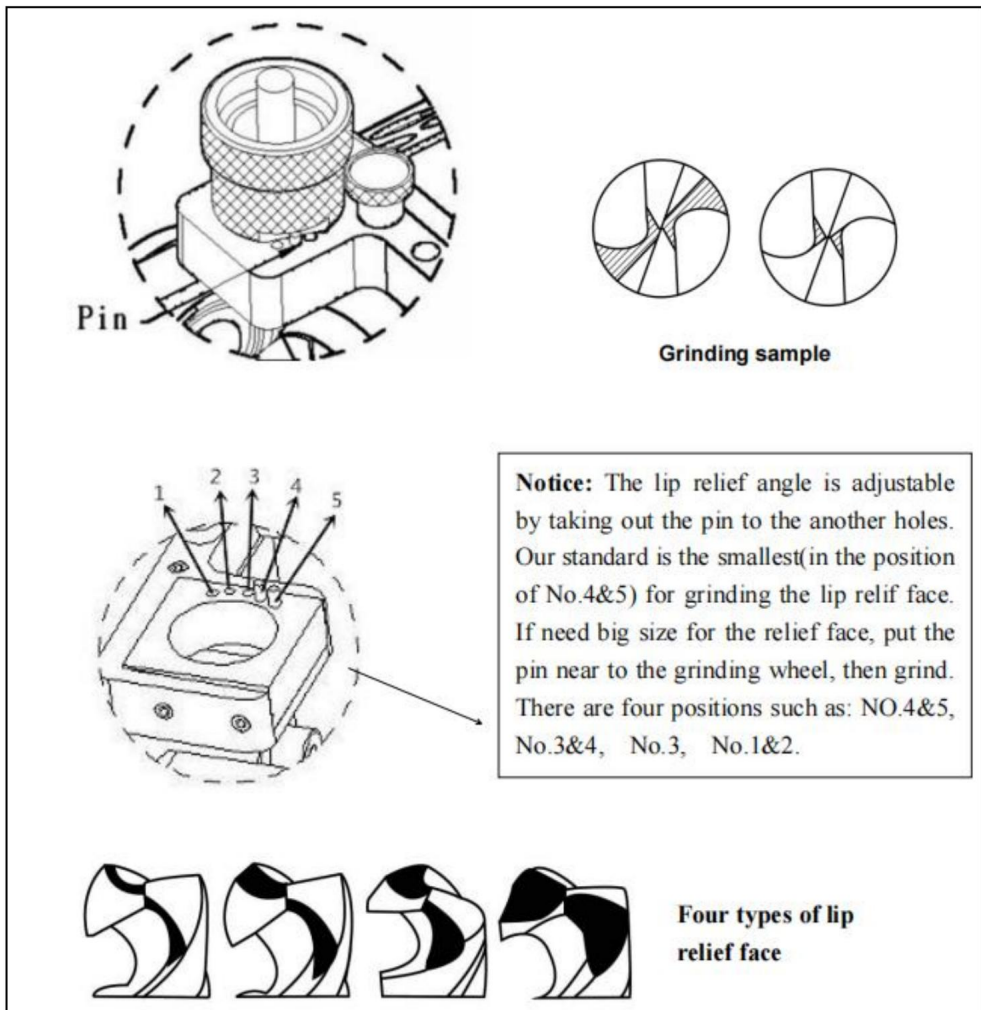
Drehen Sie sich dann auf die andere Seite und schleifen Sie den Bohrer auf die gleiche Weise.

- \* Die Schleifgröße des Bohrers beträgt 2 mm bis 13 mm (15 mm).
- \* Der Spitzenwinkel des Bohrers beträgt  $95^\circ$  bis  $135^\circ$ .
- \* Halten Sie beim Schleifen nicht den Schaft des Bohrers fest, da dies die Genauigkeit beeinträchtigt.



#### D. Schleifen Sie den Lippenfreiwinkel

Legen Sie den Spannfuttersatz in die Spitzenspaltablage. Der Schlitz der Spannmutter muss Passen Sie es an den Stift des Schleifbretts an. Führen Sie den Bohrer vorsichtig in die Schleifplatte ein bis die Schleifscheibe erreicht ist. Schleifen Sie den Bohrer, indem Sie ihn nach links und rechts bewegen, bis er erreicht ist das Schleifgeräusch verschwindet. Drehen Sie den Stift zurück zur Mitte und nehmen Sie ihn heraus. Drehen Sie sich dann auf die andere Seite und schleifen Sie den Bohrer auf die gleiche Weise.



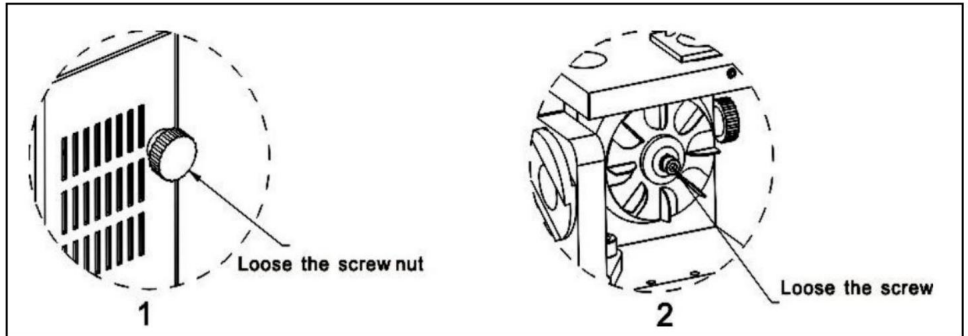
## REINIGUNG UND WARTUNG

Bitte reinigen Sie das gesamte Gerät vor und nach dem Gebrauch mit einer Luftblaspistole, insbesondere die Löcher.



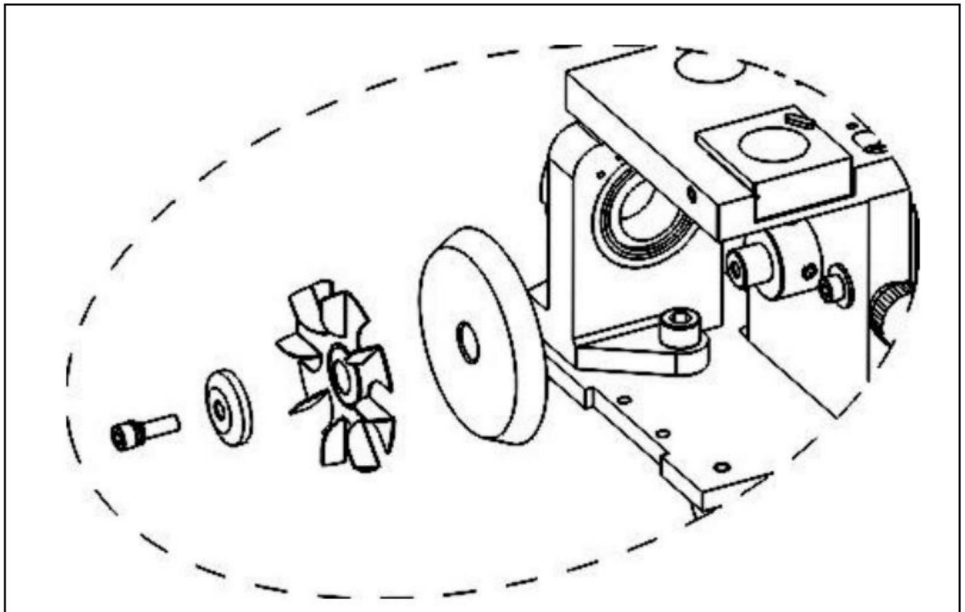
## AUSWECHSELN DES RADES

### A. Öffnen Sie die Radabdeckung



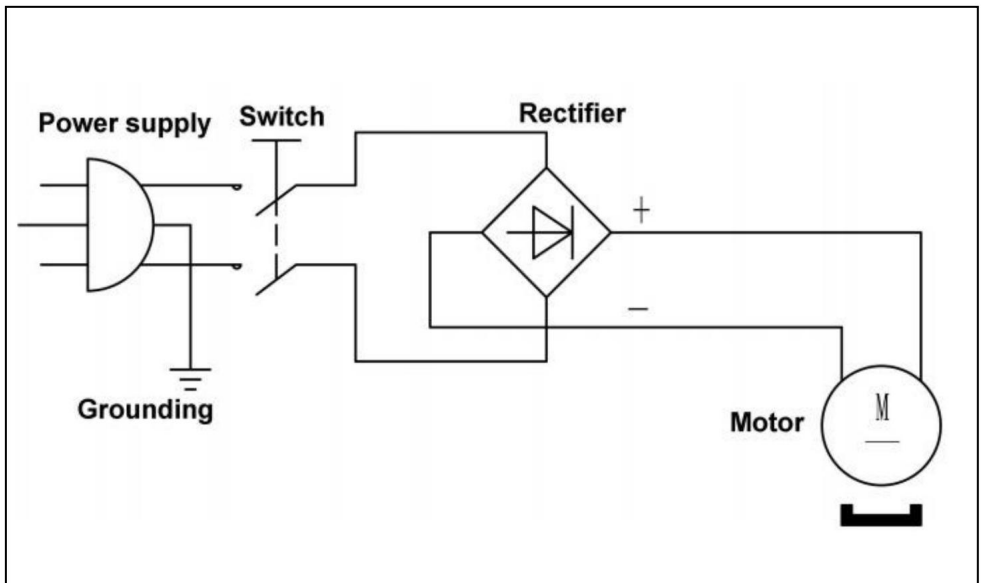
1. Stellen Sie sicher, dass das Netzkabel abgezogen ist. 2. Lösen Sie dann mit dem 4-mm-Inbusschlüssel die Schraube, um die Abdeckung zu öffnen.

### B. Nehmen Sie die Schleifscheibe heraus



1. Reinigen Sie das Gerät mit der Bürste und anschließend mit einem trockenen Tuch Oberfläche.
2. Wenn Sie die Maschine nur benutzen, warten Sie bitte 3 Minuten nach dem Mahlen Die Temperatur ist Herbst.
3. Halten Sie das Rad mit der linken Hand fest und verwenden Sie dann den 4-mm-Inbusschlüssel Lösen Sie die Schraube mit der rechten Hand gegen den Uhrzeigersinn.
4. Nehmen Sie die Diamantschleifscheibe aus der Maschine heraus.
5. Ersetzen Sie die neue Schleifscheibe.
6. Setzen Sie das Rad in die Hauptachse des Motors ein und ziehen Sie die Schraube fest die Radabdeckung fertigzustellen.

Hinweis: Die Hauptachse des Motors ist sehr präzise, falls falsche Arbeiten dazu führen können der Schaden, wodurch die Position der Schleifscheibe beeinträchtigt wird.



Adresse: Baoshanqu Shuangchenglu 803long 11hao 1602A-1609shi Shanghai **Importiert**

**in die USA:**

Sanven Technology Ltd. Suite 250, 9166 Anaheim Place, Rancho Cucamonga, CA  
91730



Pooledas Group Ltd  
Einheit 5 Albert Edward House, Die Pavillons  
Preston, Vereinigtes Königreich



SHUNSHUN GmbH  
Römeräcker 9 Z2021, 76351  
Linkenheim-Hochstetten, Germany

**In China hergestellt**

**VEVOR**®

**TOUGH TOOLS, HALF PRICE**

**Zertifikat für technischen Support und E-  
Garantie [www.vevor.com/support](http://www.vevor.com/support)**

# **VEVOR<sup>®</sup>**

## **TOUGH TOOLS, HALF PRICE**

Supporto tecnico e certificato di garanzia elettronica [www.vevor.com/supporto](http://www.vevor.com/supporto)

### **AFFILATORE PER PUNTE DA TRAPANO**

**MODELLO: MR-20G**

Continuiamo a impegnarci per fornirvi strumenti a prezzi competitivi.

"Risparmia la metà", "Metà prezzo" o qualsiasi altra espressione simile da noi utilizzata rappresenta solo una stima del risparmio che potresti trarre dall'acquistare determinati strumenti con noi rispetto ai principali marchi più importanti e non significa necessariamente coprire tutte le categorie di strumenti offerti da noi. Ti ricordiamo gentilmente di verificare attentamente quando effettui un ordine con noi se stai effettivamente risparmiando la metà rispetto ai migliori marchi principali.

# VEVOR<sup>®</sup> AFFILATORE PER PUNTE DA TRAPANO

TOUGH TOOLS, HALF PRICE

MODELLO: MR-20G









## HO BISOGNO DI AIUTO? CONTATTACI!

Hai domande sul prodotto? Hai bisogno di supporto tecnico? Non esitate a contattarci:

**Supporto tecnico e certificato di garanzia elettronica**  
**[www.vevor.com/supporto](http://www.vevor.com/supporto)**

Queste sono le istruzioni originali, leggere attentamente tutte le istruzioni del manuale prima dell'uso. VEVOR si riserva una chiara interpretazione del nostro manuale d'uso. L'aspetto del prodotto sarà soggetto al prodotto ricevuto. Ti preghiamo di perdonarci se non ti informeremo più se sono presenti aggiornamenti tecnologici o software sul nostro prodotto.

	Avvertenza: per ridurre il rischio di lesioni, l'utente deve leggere attentamente il manuale di istruzioni.
  	Indossare sempre occhiali di sicurezza omologati ANSI durante il lavoro con strumenti e attrezzature. Indossare una protezione per gli occhi. Indossare protezioni per le orecchie. Indossare guanti protettivi.
	La conformità è una certificazione di sicurezza CE e Regno Unito.
	<b>CORRETTO SMALTIMENTO</b> Questo prodotto è soggetto alle disposizioni della Direttiva Europea 2012/19/CE. Il simbolo che mostra un bidone della spazzatura barrato attraverso indica che il prodotto necessita di raccolta differenziata raccolta nell'Unione Europea. Questo vale per il prodotto e tutti gli accessori contrassegnati da questo simbolo. Prodotti contrassegnati come tali non possono essere scartati con i normali prodotti domestici rifiuti, ma devono essere portati in un punto di raccolta per il riciclaggio dispositivi elettrici ed elettronici

## Avvertenze e precauzioni di sicurezza

Grazie per aver utilizzato questo prodotto. Per essere sicuro che tu possa utilizzare la macchina correttamente, leggere attentamente queste istruzioni prima funzionamento e conservarlo adeguatamente per riferimento futuro. Per favore assicurati di leggere le precauzioni e le norme di sicurezza riportate in questa pagina per garantire un utilizzo sicuro. Questo Il manuale descrive le avvertenze e le precauzioni di sicurezza, il funzionamento, la manutenzione e la pulizia. Le avvertenze e le istruzioni esaminate in questo il manuale non può coprire tutte le possibili condizioni e situazioni che potrebbero verificarsi. Cautela e buon senso non sono incorporati in questo prodotto, poiché crediamo che gli usi saranno conformi a questi codici.

## Si prega di leggere TUTTE le istruzioni prima di utilizzare la macchina.

- 1. Mantenere pulita l'area di lavoro.** Le aree disordinate favoriscono gli infortuni.
- 2. Osservare le condizioni dell'area di lavoro.** Non utilizzare macchine o utensili elettrici in luoghi umidi o bagnati. Non esporre alla pioggia. Mantenere l'area di lavoro ben illuminata. Non utilizzare utensili elettrici in presenza di gas infiammabili o liquidi.
- 3. Tenere lontani i bambini.** I bambini non devono mai essere ammessi nell'area di lavoro, non lasciare che maneggino macchine, utensili o prolunghe.
- 4. Conservare l'attrezzatura inutilizzata.** Quando non vengono utilizzati, gli strumenti devono essere conservati in un luogo asciutto posizione per inibire la ruggine. Chiudere sempre gli strumenti e tenerli fuori dalla portata bambini.
- 5. Utilizza lo strumento giusto per il lavoro.** Non tentare di forzare un piccolo strumento o attacco a svolgere il lavoro di uno strumento industriale più grande. Ce ne sono alcune applicazioni per le quali questo strumento è stato progettato. Farà il lavoro meglio e in modo più sicuro alla velocità prevista. Non modificare questo strumento e non utilizzare questo strumento per uno scopo per il quale non è stato previsto.
- 6. Vestirsi adeguatamente.** Non indossare abiti larghi o gioielli come potrebbero essere intrappolati nelle parti in movimento.  
Lo sono gli indumenti protettivi, elettricamente non conduttivi e le calzature antiscivolo consigliato durante il lavoro. Indossare una copertura per capelli restrittiva per contenerli a lungo capelli
- 7. Utilizzare protezioni per occhi e orecchie.** Indossare sempre una protezione antiurto approvata ANSI occhiali. Indossare uno schermo facciale completo se si producono limatura di metallo o legno patate fritte.
- 8. Non esagerare.** Mantenere sempre la posizione corretta e l'equilibrio. Non raggiungere sopra o attraverso le macchine in funzione.
- 9. Conservare gli strumenti con cura.** Mantieni gli strumenti affilati e puliti per una migliore e prestazioni più sicure. Seguire le istruzioni per la lubrificazione e la sostituzione Accessori. Ispezionare periodicamente i cavi dell'utensile e, se danneggiati, procurarseli riparato da un tecnico autorizzato. Le maniglie devono essere sempre mantenute pulite, asciutte e prive di olio e grasso. Si prega di spegnere e scollegare prima della manutenzione e della pulizia.
- 10. Evitare avviamenti involontari.** Assicurati che l'interruttore sia in posizione Off quando non in uso e prima di collegarlo.



11. **Stai attento.** Guarda cosa stai facendo, usa il buon senso. Non utilizzare qualsiasi strumento quando sei stanco.

12. **Verificare la presenza di parti danneggiate.** Prima di utilizzare qualsiasi strumento, qualsiasi parte appare danneggiato deve essere controllato attentamente per determinare che lo sia funzionare correttamente ed eseguire la funzione prevista. Verificare l'allineamento e legatura di parti mobili; eventuali parti rotte o dispositivi di montaggio; E qualsiasi altra condizione che possa compromettere il corretto funzionamento. Qualsiasi parte lo sia danneggiato deve essere adeguatamente riparato o sostituito da un tecnico qualificato. Non utilizzare lo strumento se uno qualsiasi degli interruttori non si accende e spegne correttamente.

13. **Protegersi dalle scosse elettriche.** Evitare il contatto del corpo con la messa a terra superfici come tubi, radiatori, cucine e involucri di frigoriferi.

14. **Parti di ricambio e accessori.** Durante la manutenzione, utilizzare solo pezzi di ricambio identici. L'uso di qualsiasi altra parte annullerà la garanzia. Utilizzare solo accessori destinati all'uso con l'utensile.

15. **Non utilizzare l'utensile sotto l'influenza di alcol o droghe.**

Leggi le etichette di avvertenza sulle prescrizioni per determinare se il tuo giudizio o i riflessi sono compromessi durante l'assunzione di farmaci. Se c'è qualche dubbio, non farlo utilizzare lo strumento.

16. **Manutenzione.** Per la vostra sicurezza, è necessario eseguire la manutenzione regolarmente da un tecnico qualificato.

17. Non utilizzare mai la macchina in prossimità di materiali infiammabili.

18. **NON** immergere l'apparecchio in acqua o altro liquido.

19. Questo prodotto non può essere utilizzato per altri scopi. Non adatto a uso commerciale. **SOLO PER USO INTERNO.**

20. Non utilizzare alcool, benzina, ecc. come refrigerante.

21. **Mantenere gli astanti a distanza di sicurezza dall'area di lavoro. Chiunque entrando nell'area di lavoro è necessario indossare i dispositivi di protezione individuale.**

Frammenti del pezzo in lavorazione o di un accessorio rotto potrebbero volare via e causare lesioni oltre le immediate vicinanze dell'area operativa.

22. **Potrebbero verificarsi operazioni per le quali l'utensile elettrico non è stato progettato un pericolo e causare lesioni personali.**

23. **Non utilizzare accessori che non siano specificatamente progettati e consigliato dal produttore dell'utensile.** Solo perché l'accessorio

può essere collegato all'utensile elettrico, ciò non garantisce un funzionamento sicuro.

**24. La velocità nominale dell'accessorio deve essere almeno pari alla**

**velocità massima indicata nel manuale utente.** Gli accessori funzionano più velocemente rispetto alla loro velocità nominale possono rompersi e volare in pezzi.


25. Questo apparecchio non è destinato all'uso da parte di persone giovani o inferme a meno che non siano supervisionati da una persona responsabile per garantire che possano utilizzare il apparecchio in modo sicuro. I bambini piccoli dovrebbero essere sorvegliati per assicurarsi che non giocare con l'apparecchio. I bambini e gli animali domestici dovrebbero stare lontani il prodotto.

26. Non utilizzare questa unità per scopi diversi dall'uso indicato.

27. Non utilizzarlo all'aperto o per scopi commerciali. 29. **NON FARE PULIRLO CON QUALSIASI MATERIALE ABRASIVO.**

28. Non lasciarlo mai incustodito durante l'uso.

**Nota: le prestazioni di questo strumento (se alimentato dalla tensione di linea) possono variare a seconda delle variazioni della tensione della linea locale. Utilizzo della prolunga potrebbe anche influire sulle prestazioni dell'utensile.**

 **Avvertenza: le avvertenze, le precauzioni e le istruzioni discusse in le istruzioni discusse in questo manuale di istruzioni non possono coprire tutto possibili condizioni e situazioni che potrebbero verificarsi. Dev'essere inteso dall'operatore che sono il buon senso e la cautela fattori che non possono essere integrati in questo prodotto, ma devono essere forniti dall'operatore dello strumento.**

29. Se la mola si allenta, spegnere immediatamente la macchina e verificare che sia montato saldamente e che non sia danneggiato.

30. Non tentare mai di fermare la mola con le mani, anche se lo si fa indossare guanti di sicurezza. La ruota taglierà i guanti e la mano, causando gravi lesioni. Non utilizzare mai l'utensile senza la **mola**

**Coprire** a posto.

31. Se il cavo di alimentazione è danneggiato, deve essere sostituito con un cavo speciale o gruppo disponibile presso il produttore o il suo agente di assistenza.

**CONSERVA QUESTE ISTRUZIONI**

**PRINCIPALI APPLICAZIONI E CARATTERISTICHE 1. La**

molatura è un'operazione precisa, rapida e facile che non richiede competenze per la molatura.

2. Prezzo economico che riduce notevolmente i costi e migliora l'effetto di utilizzo.

3. Con la mola diamantata, può essere dotata direttamente di un angolo preciso e di una lunga durata.

4. Il potente motore DC controllato elettricamente: frequenza stabile, forte potenza e lunga durata.

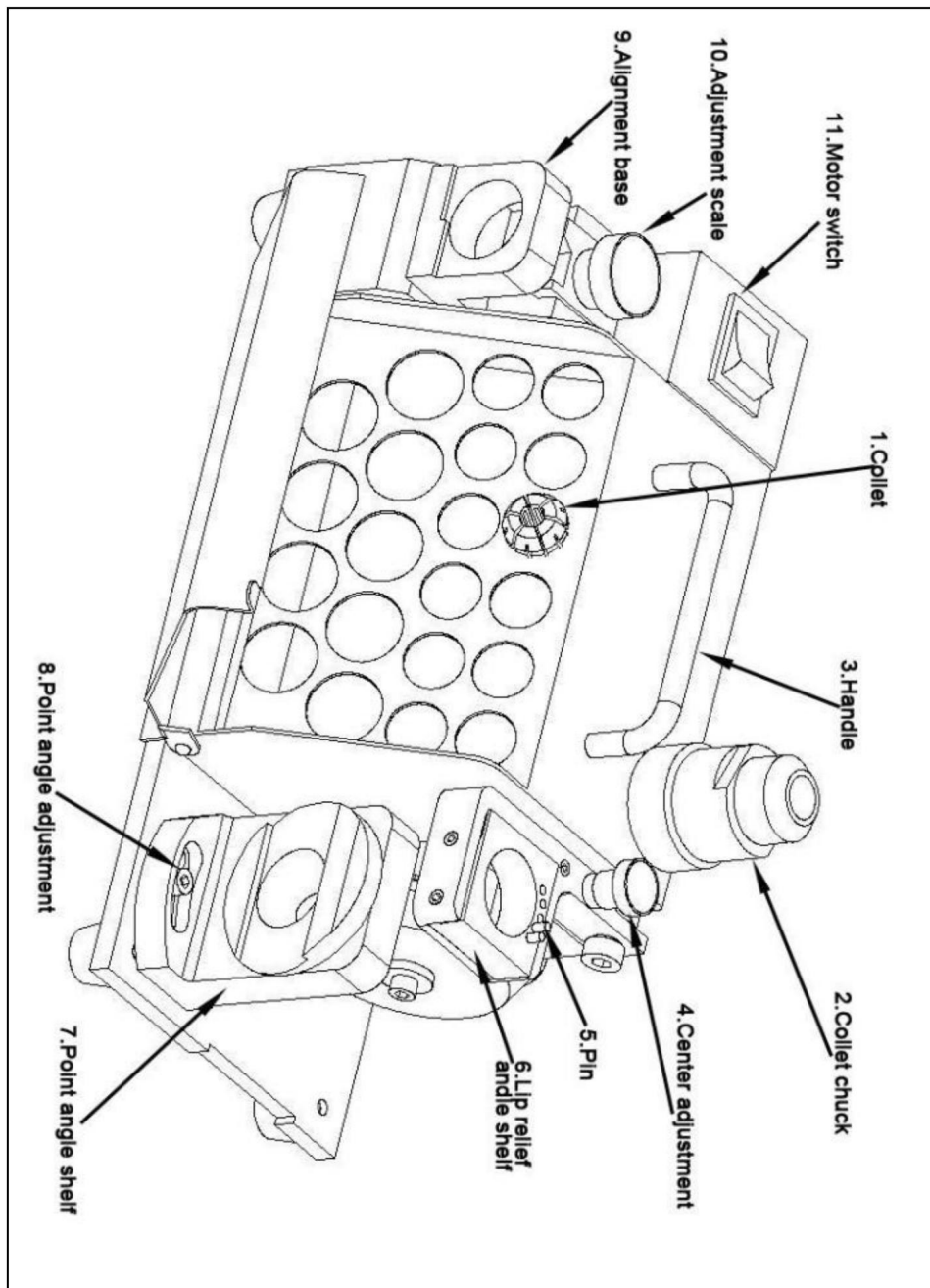
5. La macchina è impostata con la funzione di regolare la dimensione del punto (punto centrale), che può coordinarsi efficacemente con il materiale del foro e la velocità di rotazione. Può controllare la precisione della qualità e prolungare la durata della punta del trapano.

**PARAMETRI DEL PRODOTTO**

<b>MODELLO</b>	<b>Tensione</b>	<b>Il motore Energia</b>	<b>RETTIFICA ALLINEARE</b>	<b>PUNTO ANGOLO</b>	<b>LA CORNICE RUOTA G</b>
MR-20G	Nord America: CA 120 V 60 Hz	120 W	3-5 20 mm	95°~ 135°	CBN (per HSS)×1 SD (per Carburo)×1
	europeo Unione: CA 220-240 V 50Hz				CBN (per HSS)×1 SD (per Carburo)×1

PARTI: Pinze ER20 : 3-5 11 pezzi, pinze ER25: 14-20 7 pezzi, mandrino portapinze (ER20) ×1 Pinza di serraggio (ER25)×1 Cavo elettrico×1

Chiave esagonale da 2 pezzi

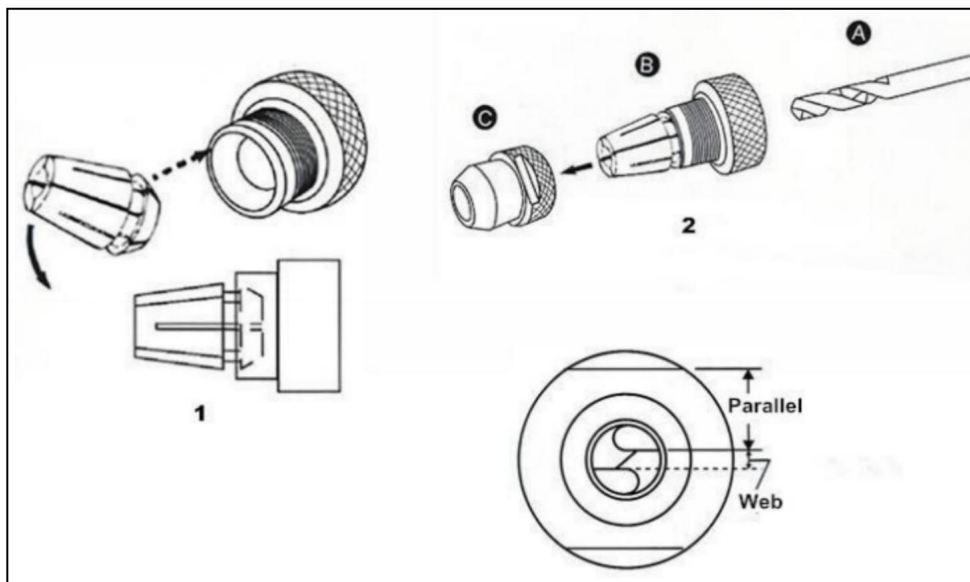


# OPERAZIONI

## A. Installare la punta del trapano sul mandrino portapinza ER.

\*Seguire il passaggio 1,2 per impostare la punta del trapano sul mandrino (senza serraggio)

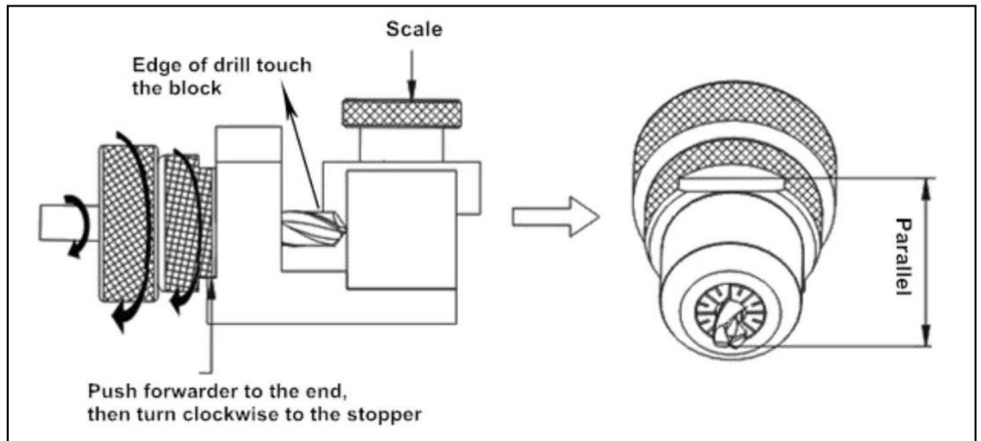
1. Determinare il diametro della punta del trapano, quindi selezionare la pinza e la pinza adeguate mandrino a pinza.
2. Inserire la pinza nel mandrino della pinza con un angolo di 45° e serrare leggermente il dado.
3. Inserire la punta del trapano nel mandrino della pinza e i dadi a circa 35 mm dalla pinza mandrino, ma non stringere troppo il trapano. ÿ Non fissare completamente il dado di serraggio con la pinza di serraggio, mantenerlo trapano regolabile.



## B. Allineare la punta del trapano

1. Reimpostare l'anello della scala: ruotare l'anello completamente in senso orario, quindi ruotarlo in senso antiorario fino al numero uguale alla dimensione della punta.
2. Inserire il set di mandrini nel ripiano di regolazione del nastro. Quindi collegalo saldamente. Girarlo in senso orario fino alla fine.

3. Collegare il trapano fino all'estremità e ruotarlo in senso orario fino all'estremità.
4. Ruotare il set di mandrini in senso orario fino alla fine e serrarlo.
5. Ruotare leggermente il set del mandrino in senso antiorario ed estrarlo delicatamente. Assicurarsi che il labbro tagliente del trapano sia parallelo alla fessura di bloccaggio dato prima dell'inizio del lavoro di rettifica. Se non è parallelo, regolarlo di nuovo.



Attenzione: se il labbro di taglio è rivolto verso il basso, è necessario aumentare la dimensione del nastro ripiano di regolazione. Se è verso l'alto, diminuire la scala del web ripiano di regolazione.

Quando la lunghezza della scanalatura di una punta si riduce, lo spessore dell'anima di una punta diminuisce diventerebbe più spesso. Quindi, a parità di diametro delle frese, tanto più corte lunghezza di un trapano, maggiore deve essere la scala del ripiano di regolazione del nastro è aumentato.

### C. Rettificare l'angolo della punta

Accendere l'interruttore di alimentazione e attendere fino a quando la rotazione del motore è stabile (circa 10 secondi), inserire il set di mandrini nel ripiano per la molatura angolare delle punte.

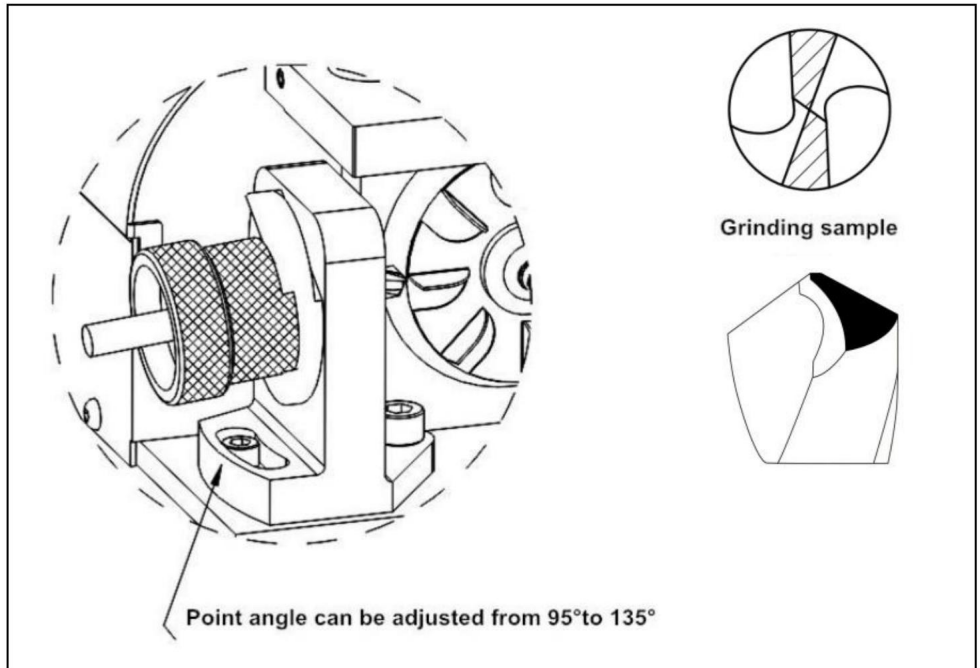
La fessura del dado di serraggio deve adattarsi ai due perni del ripiano di macinazione.

Inserire delicatamente il trapano nel ripiano di molatura fino a raggiungere la mola.

Macinare il trapano muovendolo a sinistra e a destra finché il rumore della macinatura non scompare.

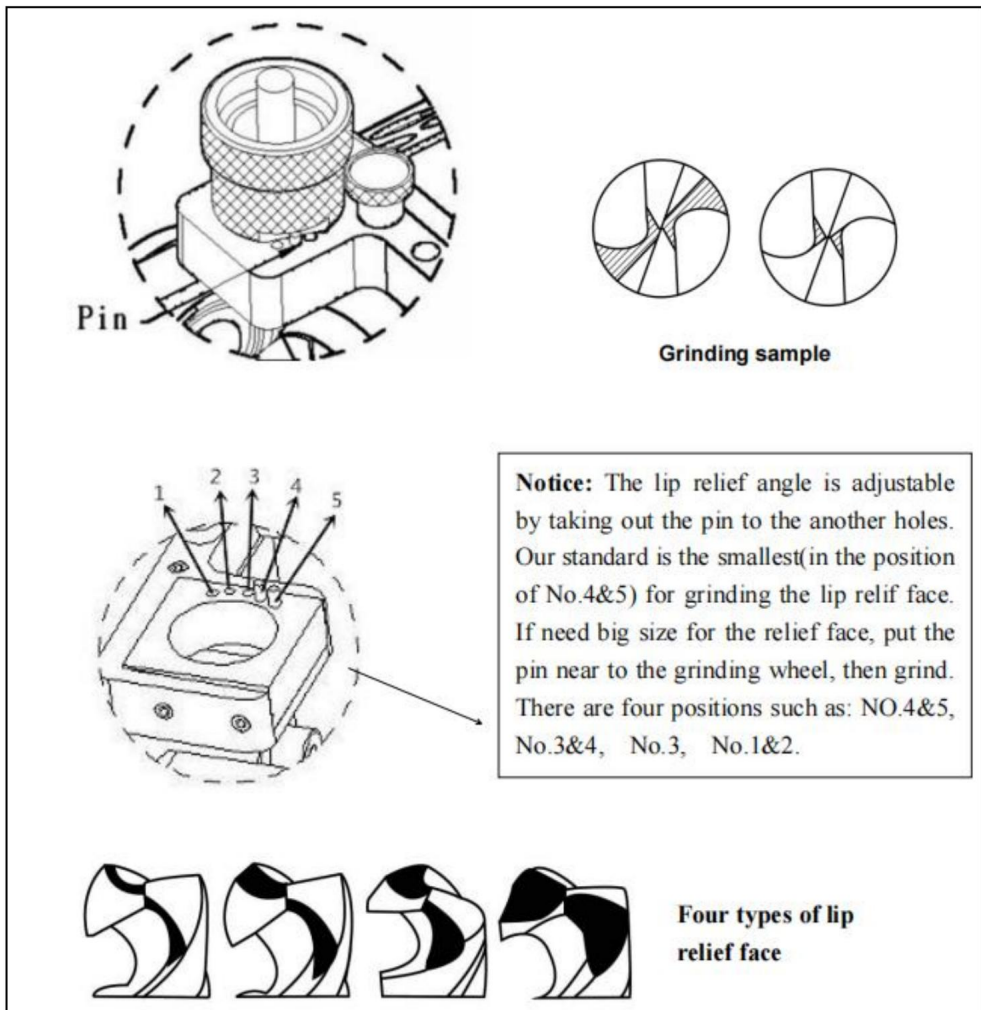
E poi girati dall'altra parte, fai lo stesso per affilare il trapano.

- \* La dimensione di macinazione del trapano è 2 mm-13 mm (15 mm)
- \* L'angolo della punta della punta è compreso tra 95° e 135°.
- \* Durante la rettifica, non tenere lo stelo della punta, ciò ne influenzerà la precisione.



#### D. Molare l'angolo di scarico del labbro

Metti il set di mandrini nel ripiano per la divisione dei punti. La fessura del dado di serraggio deve adattarsi al perno del ripiano di macinazione. Inserire delicatamente il trapano nel ripiano di macinazione fino a raggiungere la mola. Smerigliare il trapano muovendosi a sinistra e a destra fino a il rumore stridente scompare. Tornare al centro del perno ed estrarre, poi girati dall'altra parte, fai lo stesso per affilare il trapano.



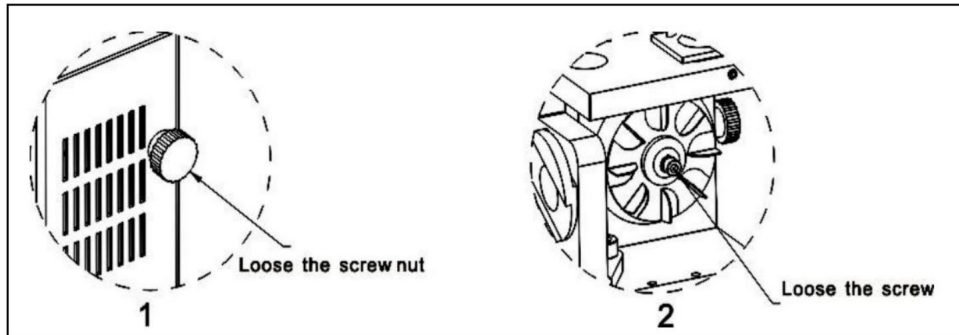
## PULIZIA E MANUTENZIONE

Si prega di pulire l'intera unità con una pistola ad aria compressa, in particolare i fori prima e dopo l'uso.



## SOSTITUZIONE DELLA RUOTA

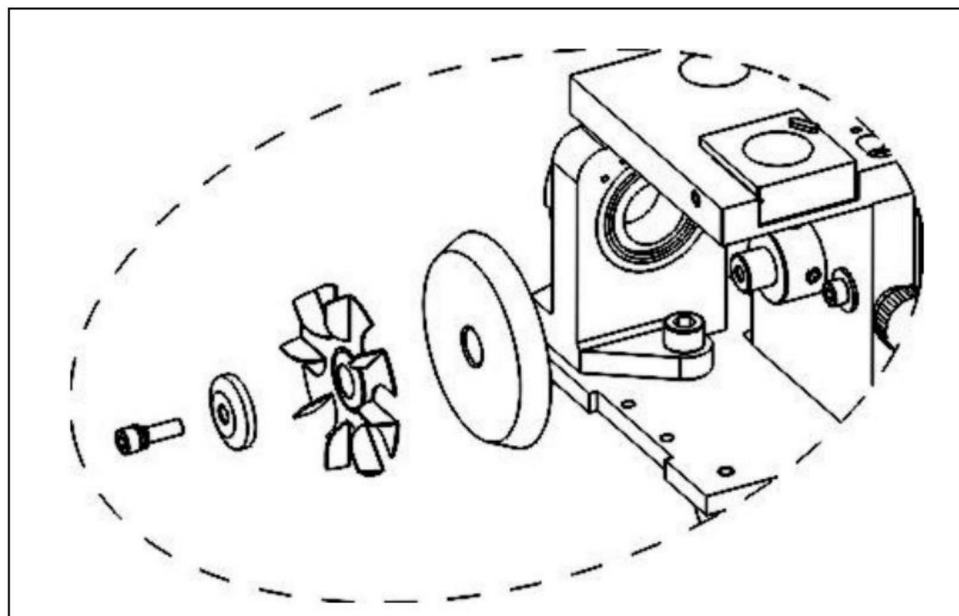
### A. Aprire il copri ruota



1. Assicurarsi che il cavo di alimentazione sia scollegato in modo sicuro.

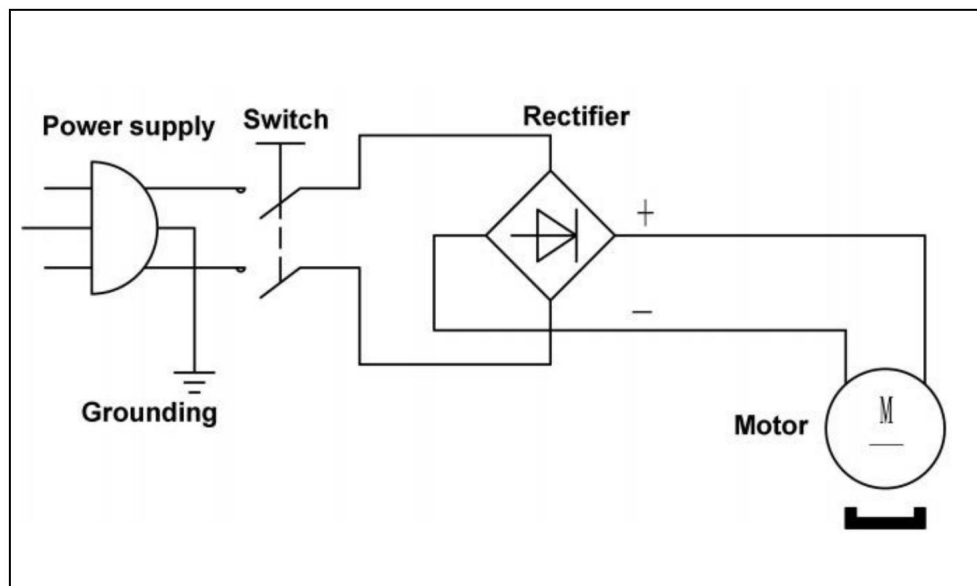
2. Quindi utilizzare la chiave esagonale da 4 mm per allentare la vite per aprire il coperchio.

### B. Estrarre la mola



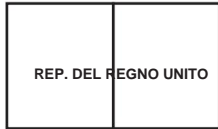
1. Utilizzare la spazzola per pulire la macchina, quindi utilizzare un panno asciutto per pulire superficie.
2. Se si utilizza solo la macchina, attendere 3 minuti dopo la macinazione la temperatura è in calo.
3. Utilizzare la mano sinistra per tenere la ruota, quindi utilizzare la chiave esagonale da 4 mm allentare la vite in senso antiorario con la mano destra.
4. Estrarre la mola diamantata sulla macchina.
5. Sostituire la nuova mola.
6. Mettere la ruota nell'asse principale del motore e serrare la vite e il copriruota da completare.

Nota: l'asse principale del motore è molto preciso, se ciò può comportare un lavoro errato il danno, influenzando così la posizione della mola.



Indirizzo: Baoshanqu Shuangchenglu 803long 11hao 1602A-1609shi  
Shanghai

**Importato negli Stati Uniti:** Sanven Technology Ltd. Suite 250, 9166  
Anaheim Place, Rancho Cucamonga, CA 91730



Gruppo Pooledas Ltd  
Unità 5 Casa Albert Edward, I Padiglioni  
Preston, Regno Unito



SHUNSHUN GmbH  
Römeräcker 9 Z2021, 76351  
Linkenheim-Hochstetten, Germania

**Made in China**

**VEVOR**®

**TOUGH TOOLS, HALF PRICE**

Supporto tecnico e certificato di garanzia  
elettronica [www.vevor.com/supporto](http://www.vevor.com/supporto)

# VEVOR<sup>®</sup>

## TOUGH TOOLS, HALF PRICE

Soporte técnico y certificado de garantía electrónica [www.vevor.es/soporte](http://www.vevor.es/soporte)

## AFILADOR DE BROCAS

MODELO: MR-20

GRAMO

Seguimos comprometidos a proporcionarle herramientas a precios competitivos.

"Ahorre a mitad de precio", "A mitad de precio" o cualquier otra expresión similar utilizada por nosotros solo representa una estimación de los ahorros que podría beneficiarse al comprar ciertas herramientas con nosotros en comparación con las principales marcas y no significa necesariamente cubrir todas las categorías de herramientas ofrecidas por nosotros. Le recordamos que, cuando realice un pedido con nosotros, verifique cuidadosamente si realmente está ahorrando la mitad en comparación con las principales marcas.

# VEVOR<sup>®</sup> AFILADOR DE BROCAS

TOUGH TOOLS, HALF PRICE

MODELO: MR-20G









¿NECESITAS AYUDA? ¡CONTÁCTENOS!

¿Tiene preguntas sobre el producto? ¿Necesita soporte técnico? No dude en

contactarnos: Soporte técnico y certificado de garantía electrónica [www.vevor.es/soporte](http://www.vevor.es/soporte)

Estas son las instrucciones originales; lea atentamente todas las instrucciones del manual antes de operar. VEVOR se reserva una interpretación clara de nuestro manual de usuario. La apariencia del producto estará sujeta al producto que recibió. Perdone que no le informaremos nuevamente si hay actualizaciones de tecnología o software en nuestro producto.

	Advertencia: para reducir el riesgo de lesiones, el usuario debe leer manual de instrucciones con atención.
	Utilice siempre gafas de seguridad aprobadas por ANSI cuando trabaje.
	Use protección para los ojos.
	Utilice protección para los oídos. Utilice guantes protectores.
	El cumplimiento es una certificación de seguridad de la CE y el Reino Unido.
	<b>ELIMINACIÓN CORRECTA</b> Este producto está sujeto a las disposiciones de la directiva europea. 2012/19/CE. El símbolo que muestra un contenedor con ruedas cruzado. a través indica que el producto requiere rechazo por separado recogida en la Unión Europea. Esto se aplica al producto. y todos los accesorios marcados con este símbolo. Productos marcados como tales no pueden desecharse con los productos domésticos normales. residuos, pero deben llevarse a un punto de recogida para su reciclaje. dispositivos eléctricos y electrónicos

## Advertencias y precauciones de seguridad

Gracias por usar este producto. Para asegurarte de que puedas operar la máquina correctamente, lea atentamente estas instrucciones antes funcionamiento y guárdelo correctamente para futuras consultas. Por favor asegúrese de leer Siga las precauciones y reglas de seguridad de esta página para garantizar su uso seguro. Este El manual describirá las advertencias y precauciones de seguridad, operación, mantenimiento y limpieza. Las advertencias e instrucciones revisadas en este Este manual no puede cubrir todas las condiciones y situaciones posibles que puedan ocurrir. La precaución y el sentido común no están incluidos en este producto, ya que creemos que los usos cumplirán con estos códigos.

## Lea TODAS las instrucciones antes de utilizar su máquina.


1. Mantenga limpia el área de trabajo. Las áreas desordenadas invitan a sufrir lesiones.
2. Observe las condiciones del área de trabajo. No utilice máquinas ni herramientas eléctricas en lugares húmedos o mojados. No exponer a la lluvia. Mantenga el área de trabajo bien iluminada. No utilice herramientas eléctricas en presencia de gases inflamables. o líquidos.
3. Mantenga alejados a los niños. Nunca se debe permitir que los niños estén en el área de trabajo. No les permita manipular máquinas, herramientas o cables de extensión.
4. Almacenar el equipo inactivo. Cuando no estén en uso, las herramientas deben almacenarse en un lugar seco. ubicación para inhibir la oxidación. Siempre guarde las herramientas bajo llave y manténgalas fuera del alcance de niños.
5. Utilice la herramienta adecuada para el trabajo. No intente forzar una herramienta pequeña o accesorio para realizar el trabajo de una herramienta industrial más grande. Hay ciertos aplicaciones para las que se diseñó esta herramienta. Hará el trabajo mejor y de forma más segura al ritmo para el que fue diseñado. No modifique esta herramienta y no utilice esta herramienta para un propósito para el cual no fue diseñada.
6. Vístete apropiadamente. No use ropa holgada ni joyas, ya que pueden atrapado en las piezas móviles. Se recomienda utilizar ropa protectora no conductora de electricidad y calzado antideslizante. Recomendado al trabajar. Use una cobertura de cabello restrictiva para contener cabello
7. Utilice protección para los ojos y los oídos. Utilice siempre protectores contra impactos aprobados por ANSI. gafas de protección. Use una protección facial completa si produce limaduras de metal o madera. papas fritas.
8. No se exceda. Mantenga la postura y el equilibrio en todo momento. No alcanzar por encima o a través de las máquinas en funcionamiento.
9. Mantenga las herramientas con cuidado. Mantenga las herramientas afiladas y limpias para una mejor y rendimiento más seguro. Siga las instrucciones para lubricar y cambiar accesorios. Inspeccione los cables de las herramientas periódicamente y, si están dañados, llévelos reparado por un técnico autorizado. Los mangos deben mantenerse limpios, secos y libres de aceite y grasa en todo momento. Por favor apague y desconecte antes del mantenimiento y limpieza.
10. Evite el arranque involuntario. Asegúrese de que el interruptor esté en la posición de apagado. cuando no esté en uso y antes de enchufarlo.



11. Manténgase alerta. Vigila lo que haces, usa el sentido común. No opere cualquier herramienta cuando esté cansado.
12. Verifique si hay piezas dañadas. Antes de utilizar cualquier herramienta, cualquier pieza que parece dañado debe ser revisado cuidadosamente para determinar si operará correctamente y realizar su función prevista. Verifique la alineación y unión de piezas móviles; cualquier pieza rota o accesorios de montaje; y cualquier otra condición que pueda afectar el correcto funcionamiento. Cualquier parte que sea dañado debe ser reparado o reemplazado adecuadamente por un técnico calificado. No utilice la herramienta si algún interruptor no se enciende y apaga correctamente.
13. Protéjase contra descargas eléctricas. Evite el contacto del cuerpo con aparatos conectados a tierra. superficies como tuberías, radiadores, estufas y gabinetes de refrigeradores.
14. Repuestos y accesorios. Al realizar tareas de mantenimiento, utilice únicamente piezas de repuesto idénticas. El uso de cualquier otra pieza anulará la garantía. Utilice únicamente accesorios diseñados para usarse con la herramienta.
15. No opere la herramienta si está bajo la influencia de alcohol o drogas. Lea las etiquetas de advertencia de las recetas para determinar si su criterio o Los reflejos se alteran al tomar drogas. Si tiene alguna duda, no opere la herramienta.
16. Mantenimiento. Por su seguridad, se debe realizar el mantenimiento periódicamente por un técnico calificado.
17. Nunca utilice la máquina cerca de materiales inflamables.
18. NO sumerja el aparato en agua ni en ningún otro líquido.
19. Este producto no se puede utilizar para otros fines. No es adecuado para uso comercial. SOLAMENTE PARA USO EN INTERIORES.
20. No utilice alcohol, gasolina, etc. como refrigerante.
21. Mantenga a las personas presentes a una distancia segura del área de trabajo. Alguien Al ingresar al área de trabajo se debe usar equipo de protección personal. Los fragmentos de la pieza de trabajo o de un accesorio roto pueden salir volando y causar lesiones más allá del área inmediata de operación.
22. Las operaciones para las cuales la herramienta eléctrica no fue diseñada pueden crear un peligro y causar lesiones personales.
23. No utilice accesorios que no estén específicamente diseñados y recomendado por el fabricante de la herramienta. Sólo porque el accesorio se puede conectar a su herramienta eléctrica, no garantiza un funcionamiento seguro.

24. La velocidad nominal del accesorio debe ser al menos igual a la Velocidad máxima marcada en el manual de usuario. Accesorios funcionando más rápido que su velocidad nominal pueden romperse y volar.
25. Este aparato no está diseñado para que lo utilicen personas jóvenes o enfermas. a menos que esté supervisado por una persona responsable para garantizar que puedan utilizar el aparato de forma segura. Los niños pequeños deben ser supervisados para garantizar que No juegue con el aparato. Los niños y las mascotas deben mantenerse alejados de el producto.
26. No utilice esta unidad para ningún otro propósito que no sea el uso indicado.
27. No lo utilices al aire libre ni con fines comerciales. 29. NO LIMPIARLO CON CUALQUIER MATERIAL ABRASIVO.
28. Nunca lo dejes desatendido mientras esté en uso.

Nota: El rendimiento de esta herramienta (si se alimenta con voltaje de línea) puede variar dependiendo de las variaciones en el voltaje de la línea local. Uso del cable de extensión También puede afectar el rendimiento de la herramienta.

 Advertencia: Las advertencias, precauciones e instrucciones analizadas en esta instrucción discutida en este manual de instrucciones no puede cubrir todos posibles condiciones y situaciones que pueden ocurrir. debe ser El operador entiende que el sentido común y la precaución son factores que no pueden incorporarse a este producto, pero que deben suministrarse por el operador de la herramienta.

29. Si la muela se suelta, apague la máquina inmediatamente. y comprobar que esté montado de forma segura y que no esté dañado.
30. Nunca intentes detener la muela con las manos, incluso si estás usando guantes de seguridad. La rueda cortará los guantes y la mano, provocando lesiones graves. Nunca opere la herramienta sin la muela abrasiva. Cubrir en su lugar.
31. Si el cable de alimentación está dañado, debe ser reemplazado por un cable especial o conjunto disponible del fabricante o su agente de servicio.

## GUARDA ESTAS INSTRUCCIONES

## APLICACIÓN PRINCIPAL Y CARACTERÍSTICAS 1. EI

rectificado es preciso y rápido, de fácil operación y sin habilidad para rectificar.

2. Precio económico que reduce en gran medida el costo y mejora el efecto de uso.

3. Con muela abrasiva de diamante, se puede equipar directamente con un ángulo preciso y una larga vida útil.

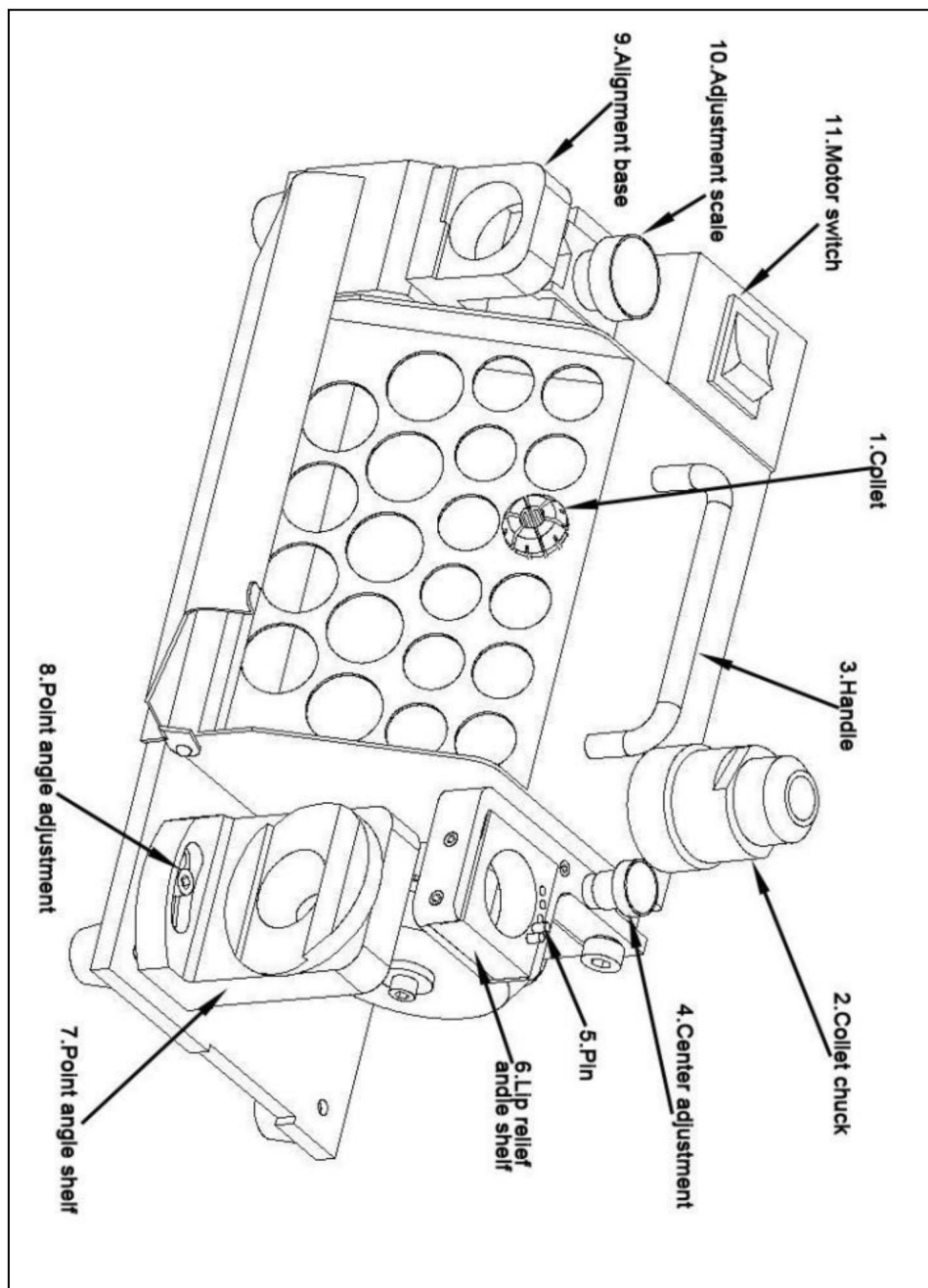
4. Potente motor de CC controlado eléctricamente: frecuencia estable, gran potencia y larga vida útil.

5. La máquina está configurada con la función de ajustar el tamaño de un punto (punto central), que puede coordinarse efectivamente con el material del orificio de perforación y la velocidad de rotación. Puede controlar la precisión de la calidad y prolongar la vida útil de la broca.

## PARAMETROS DEL PRODUCTO

MODELO	Voltaje	Motor Fuerza	MOLIENDA RANGO	PUNTO ÁNGULO	EL MARCO RUEDA G
MR-20G	América del norte: CA 120 V 60 Hz.	120W	Φ3~Φ 20mm	95°~ 135°	CBN (para HSS)×1 SD (para Carburo)×1
	europeso Unión: CA220-240V 50Hz				CBN (para HSS)×1 SD (para Carburo)×1

PIEZAS: Pinzas ER20: φ3-φ13 (11 piezas), pinzas ER25: φ14-φ20 (7 piezas) portabrocas (ER20) × 1 Portabrocas (ER25) × 1 Cable eléctrico × 1 Llave hexagonal de 2 piezas



# OPERACIONES

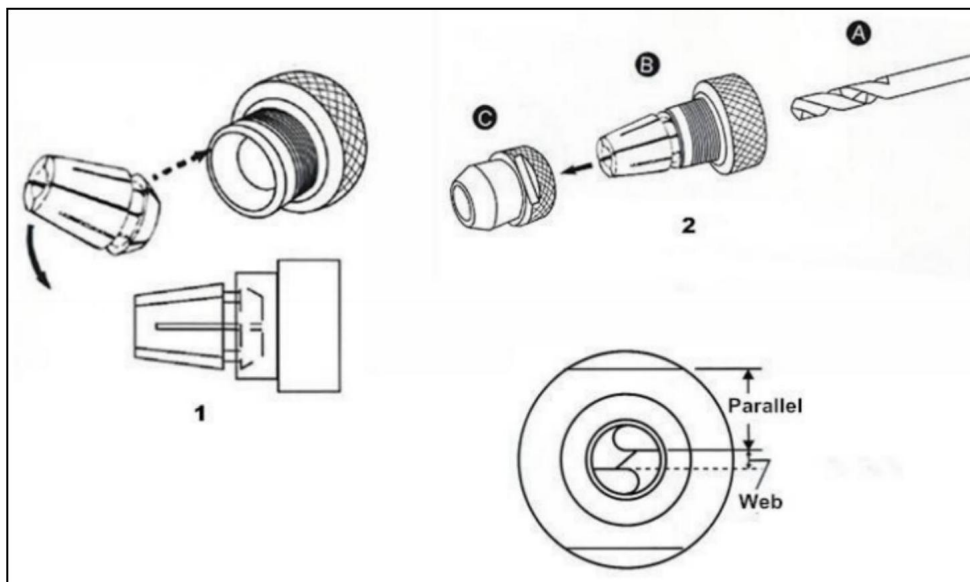
A. Configure la broca en el portabrocas ER.

\*Siga los pasos 1 y 2 para configurar la broca en el portabrocas (sin apretando)

1. Determine el diámetro de su broca y luego seleccione la pinza adecuada y pinza de sujeción.
2. Inserte el collar en el portabrocas en un ángulo de 45° y apriete ligeramente la tuerca.
3. Inserte la broca en el portabrocas y afloje las tuercas aproximadamente a 35 mm del portabrocas.

portabrocas, pero no apriete demasiado el taladro. No apriete completamente la tuerca de sujeción con el portabrocas, mantenga la

Taladro regulable.



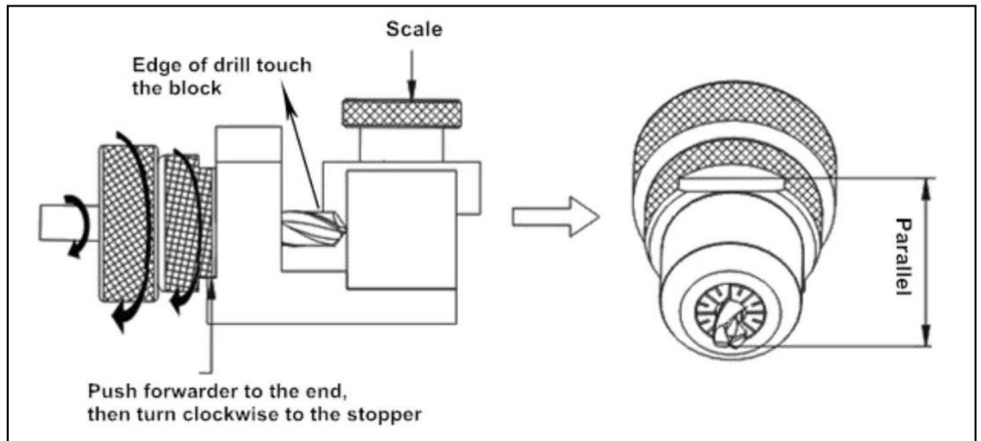
B. Alinear la broca

1. Restablezca el anillo de escala: gire el anillo completamente en el sentido de las agujas del reloj y luego gírelo en sentido antihorario hasta el mismo número que el tamaño del taladro.

2. Inserte el juego de portabrocas en el estante de ajuste de banda. Luego conéctelo firmemente.

Gírelo en el sentido de las agujas del reloj hasta el final.

3. Enchufe el taladro hasta el final y gírelo en el sentido de las agujas del reloj hasta el final.
  4. Gire el juego de mandril en el sentido de las agujas del reloj hasta el final y apriételo.
  5. Gire un poco el portabrocas en el sentido contrario a las agujas del reloj y extráigalo con cuidado.
- Asegúrese de que el labio de corte del taladro esté paralelo a la ranura de sujeción.
- tuerca antes de comenzar el trabajo de rectificación. Si no está paralelo, ajústelo nuevamente.



Atención: Si el labio de corte está hacia abajo, debe aumentar la escala de la web. estante de ajuste. Si es hacia arriba, por favor disminuya la escala de la web. estante de ajuste.

Cuando la longitud de la ranura de una broca se acorta, el espesor del alma de una broca se volvería más espesa. Entonces, para el mismo diámetro de brocas, cuanto más corto longitud de un taladro, la escala más alta del estante de ajuste web debe ser aumentó.

### C. Rectificar el ángulo de la punta

Encienda el interruptor de encendido y espere hasta que la rotación del motor sea estable (aproximadamente 10 segundos), coloque el juego de portabrocas en el estante de molienda en ángulo.

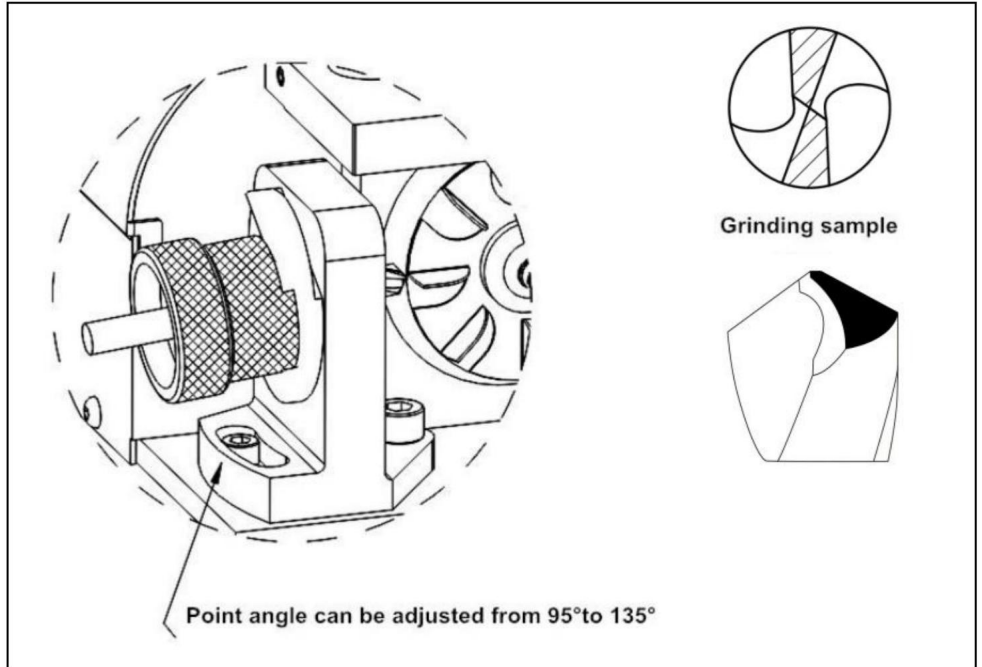
La ranura de la tuerca de apriete debe encajar con los dos pasadores de la plataforma de molienda.

Inserte el taladro suavemente en el estante de molienda hasta llegar a la muela.

Muele el taladro moviéndolo hacia la izquierda y hacia la derecha hasta que desaparezca el sonido del chirrido.

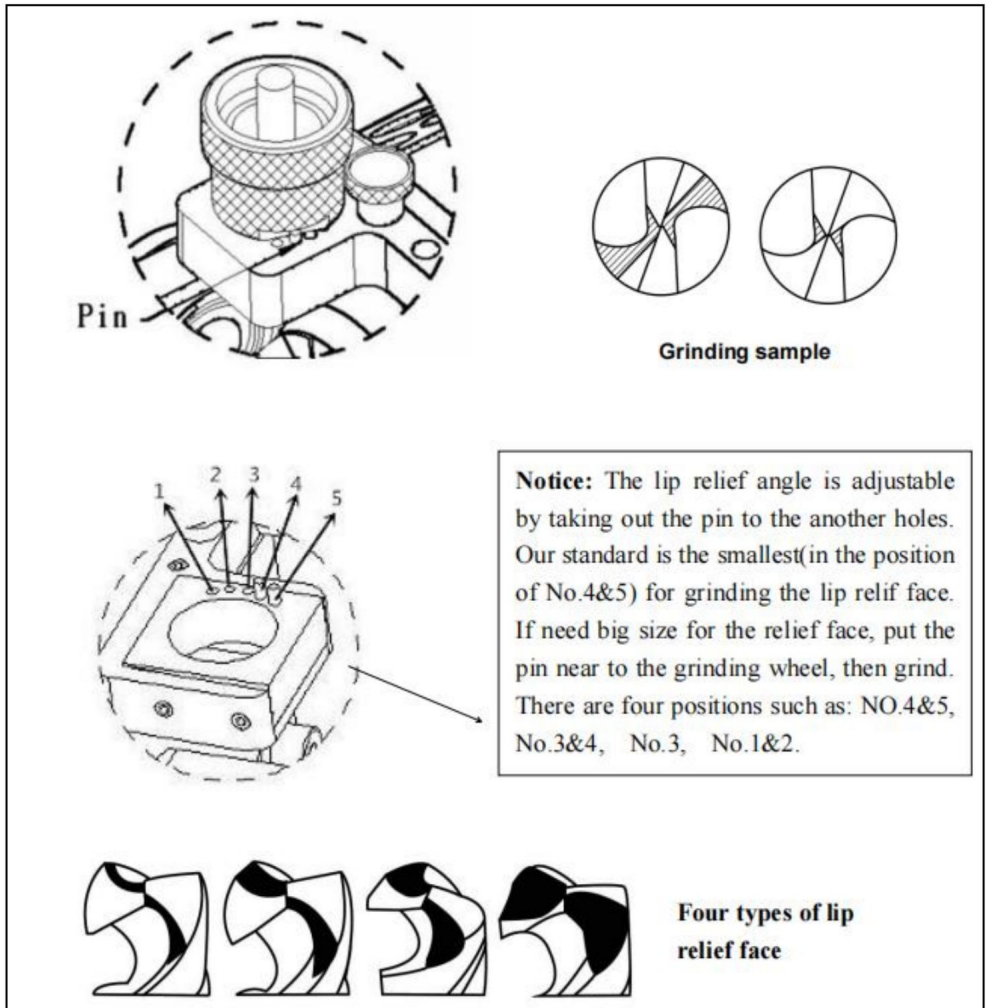
Y luego gira hacia el otro lado, haz lo mismo para pulir el taladro.

- \* El tamaño de pulido del taladro es de 2 mm a 13 mm (15 mm)
- \* El ángulo de punta del taladro es de 95° a 135°.
- \* Mientras rectificas, no sostenga el vástago del taladro, ya que afectará la precisión.



#### D. Rectificar el ángulo de alivio del labio.

Coloque el juego de portabrocas en el estante de separación de puntas. La ranura de la tuerca de sujeción debe encajar con el pasador del estante de molienda. Inserte el taladro suavemente en el estante de molienda. hasta llegar a la muela. Muele el taladro moviéndolo hacia la izquierda y hacia la derecha hasta que el chirrido desaparece. Vuelva al centro del afiler y sáquelo. luego gira hacia el otro lado, haz lo mismo para afilar el taladro.



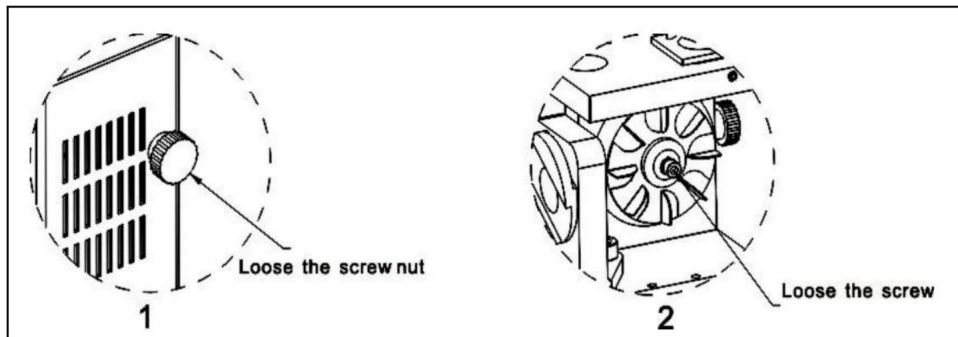
## LIMPIEZA Y MANTENIMIENTO

Limpie toda la unidad con una pistola de aire comprimido, especialmente los orificios antes y después de su uso.



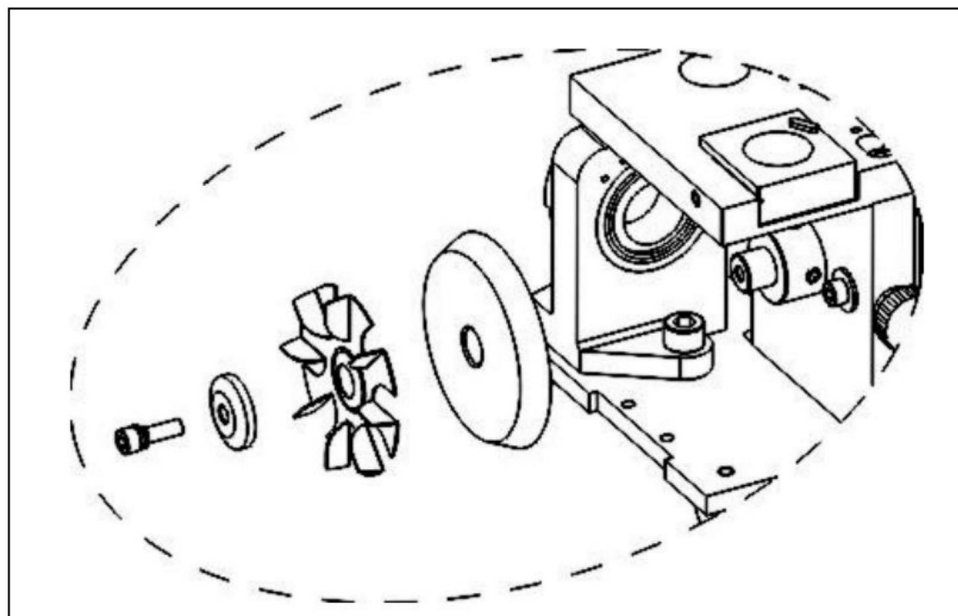
## SUSTITUCIÓN DE LA RUEDA

A. Abra la tapa de la rueda.



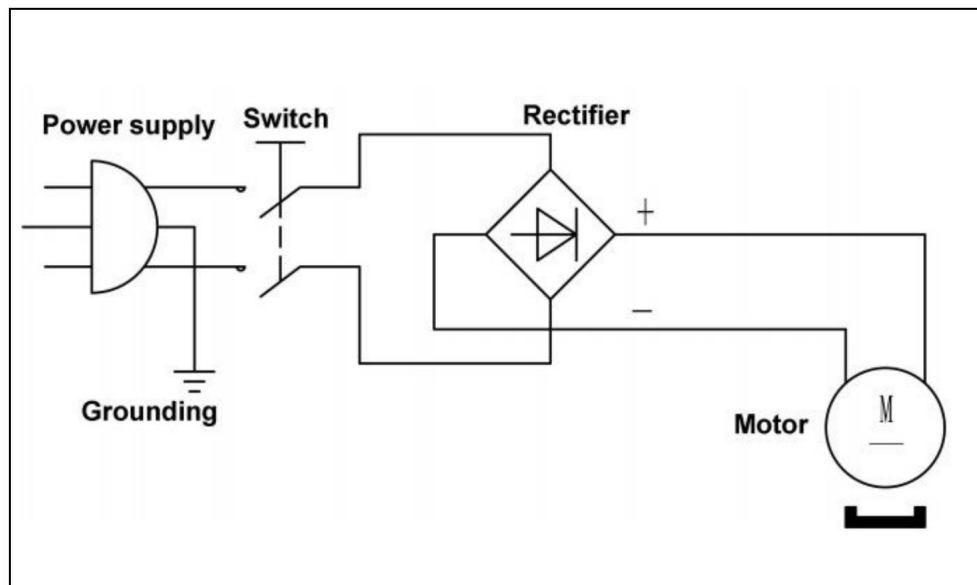
1. Asegúrese de que sea seguro que el cable de alimentación esté desenchufado. 2. Luego use la llave hexagonal de 4 mm para aflojar el tornillo y abrir la cubierta.

B. Saque la muela



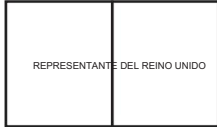
1. Utilice el cepillo para limpiar la máquina, luego utilice un paño seco para limpiar la superficie.
2. Si solo usa la máquina, espere 3 minutos después de moler. la temperatura está bajando.
3. Utilice la mano izquierda para sujetar la rueda y luego utilice la llave hexagonal de 4 mm para Afloje el tornillo en sentido antihorario con la mano derecha.
4. Saque la muela de diamante de la máquina.
5. Reemplace la nueva muela abrasiva.
6. Coloque la rueda en el eje principal del motor y apriete el tornillo y la cubierta de la rueda para completar.

Aviso: el eje principal del motor es muy preciso, si un trabajo incorrecto puede provocar el daño, afectando así la posición de la muela.



Dirección: Baoshanqu Shuangchenglu 803long 11hao 1602A-1609shi  
Shanghai

Importado a EE. UU.: Sanven Technology Ltd. Suite 250, 9166 Anaheim  
Place, Rancho Cucamonga, CA 91730



Grupo Pooledas Ltd  
Unidad 5 Casa Albert Edward, Los Pabellones  
Preston, Reino Unido



SHUNSHUN GmbH  
Römeräcker 9 Z2021, 76351  
Linkenheim-Hochstetten, Alemania

Hecho en china

**VEVOR**®

**TOUGH TOOLS, HALF PRICE**

Soporte técnico y certificado de garantía  
electrónica [www.vevor.es/soporte](http://www.vevor.es/soporte)

# VEVOR®

## TOUGH TOOLS, HALF PRICE

Wsparcie techniczne i certyfikat e-gwarancji [www.wevor.com/wsparcie](http://www.wevor.com/wsparcie)

### OSTRZARKA DO WIERTŁÓW

MODEL: MR-20G

Nadal dokładamy wszelkich starań, aby zapewnić Państwu narzędzia w konkurencyjnej cenie.

„Zaoszczędź o połowę”, „o połowę ceny” lub inne podobne wyrażenia używane przez nas przedstawiają jedynie szacunkową oszczędność, którą możecie osiągnąć kupując u nas określone narzędzia w porównaniu z głównymi najlepszymi markami i niekoniecznie oznaczają uwzględnienie wszystkich kategorii oferowanych narzędzi przez nas.

Przypominamy, aby podczas składania zamówienia u nas dokładnie sprawdzić, czy rzeczywiście oszczędzacie o połowę w porównaniu z czołowymi markami.

# VEVOR<sup>®</sup> OSTRZARKA DO WIERTŁÓW

TOUGH TOOLS, HALF PRICE

MODEL: MR-20G










POTRZEBUJĘ POMOCY? SKONTAKTUJ SIĘ Z NAMI!

Masz pytania dotyczące produktu? Potrzebujesz wsparcia technicznego? Zapraszamy do kontaktu:

Wsparcie Techniczne i Certyfikat E-Gwarancji [www.wevor.com/wsparcie](http://www.wevor.com/wsparcie)

To jest oryginalna instrukcja. Przed przystąpieniem do obsługi prosimy o dokładne zapoznanie się ze wszystkimi instrukcjami. VEVOR zastrzega sobie jasną interpretację naszej instrukcji obsługi. Wygląd produktu zależy od produktu, który otrzymałeś. Proszę wybaczyć nam, że nie będziemy ponownie informować Państwa, jeśli pojawią się jakieś aktualizacje technologii lub oprogramowania naszego produktu.

	Ostrzeż enie — aby zmniejszyćryzyko obraż eń, uż ytkownik musi przeczytać instrukcję obsł ugi.
  	<p>Podczas pracy należ y zawsze nosićokulary ochronne zatwierdzone przez ANSI z narzędziami i sprzętem.</p> <p>Nosićochronę oczu.</p> <p>Nosićochronę sł uchu.</p> <p>Nosićrękawice ochronne.</p>
 	Zgodnoś ćto certyfikat bezpieczeństwa WE i Wielkiej Brytanii.
	<p><b>PRAWIDŁOWA UTYLIZACJA</b></p> <p>Ten produkt podlega przepisom Dyrektywy Europejskiej 2012/19/WE. Przekreśl ony symbol przedstawiający kosz na śmieci na kółkach przez wskazuje, że produkt wymaga osobnego odpadu zbiórka w Unii Europejskiej. Dotyczy to produktu oraz wszystkie akcesoria oznaczone tym symbolem. Produkty oznakowane jako takie nie mogą byćwyrzucane wraz ze zwykłymi odpadami domowymi odpady, lecz należ y je przekazaćdo punktu zbiórki w celu recyklingu urządzenia elektryczne i elektroniczne</p>

Ostrzeż enia i ś rodki ostroż noś ci dotyczące bezpieczeństwa


Dziękujemy za skorzystanie z tego produktu. Aby miećpewnoś ć że moż esz prawidłowo obsł ugiwaćmaszynę, przeczytaj wcześ niej uważ nie niniejszą instrukcję obsł ugi i zachowaj ją prawidłowo do wykorzystania w przyszłoś ci. Koniecznie przeczytaj ś rodki ostroż noś ci i zasady bezpieczeństwa opisane na tej stronie, aby zapewnićbezpieczne uż ytkowanie. Ten instrukcja zawiera ostrzeż enia i ś rodki ostroż noś ci dotyczące bezpieczeństwa, obsł ugi, konserwacji i czyszczenia. Ostrzeż enia i instrukcje omówione w tym dokumencie instrukcja nie moż e uwzględnićwszystkich moż liwych warunków i sytuacji, które mogą wystąpić Ponieważ w to wierzymy, w ten produkt nie jest wpisana ostroż noś ćani zdrowy rozsądek że zastosowania będą zgodne z tymi kodami.

## Przed użyciem urządzenia przeczytaj WSZYSTKIE instrukcje.

1. Utrzymuj miejsce pracy w czystości. Zaśmiecone obszary sprzyjają kontuzjom.
2. Obserwuj warunki w miejscu pracy. Nie używaj maszyn ani elektronarzędzi w wilgotnych lub mokrych miejscach. Nie wystawiaj na działanie deszczu. Utrzymuj dobrze oświetlone miejsce pracy. Nie używaj narzędzi zasilanych elektrycznie w obecności łatwopalnych gazów lub płynów.
3. Trzymaj dzieci z daleka. Nigdy nie wolno pozwalać dzieciom na przebywanie w miejscu pracy. Nie pozwalaj im obsługiwać maszyn, narzędzi ani przedmiotów.
4. Przechowuj nieużywany sprzęt. Gdy narzędzia nie są używane, należy je przechowywać w suchym miejscu, aby zapobiec rdzewieniu. Zawsze zamykaj narzędzia i trzymaj je poza zasięgiem dzieci.
5. Użyj odpowiedniego narzędzia do danego zadania. Nie próbuj na siłę używać narzędzia lub przystawka do wykonywania pracy większego narzędzia przemysłowego. Są pewne aplikacje, dla których to narzędzie zostało zaprojektowane. Będzie lepiej wykonywać swoją pracę i bezpieczniej w tempie, dla którego był przeznaczone. Nie modyfikuj tego narzędzia i nie używaj tego narzędzia do celów, do których nie jest przeznaczone.
6. Ubierz się odpowiednio. Nie noś luźnej odzieży ani bielizny, jeśli to możliwe, które mogą być złapane przez ruchome części. Należy nosić odzież ochronną, nieprzewodzącą prądu elektrycznego i obuwie antypoślizgowe zalecane podczas pracy. Noś restrykcyjne nakrycie włosów, aby były dłużej.
7. Stosuj ochronę oczu i uszu. Zawsze noś zabezpieczenie przeciwuderzeniowe zatwierdzone przez ANSI okulary ochronne. W przypadku wytwarzania opiłków metalowych lub drewna należy nosić pełną ochronę twarzy.
8. Nie przesadzaj. Przez cały czas utrzymuj właściwą postawę i równowagę. Nie rób sięgających lub ponad głowę ruchów.
9. Ostrożnie konserwuj narzędzia. Utrzymuj narzędzia ostre i czyste, aby były lepsze i bezpieczniejsze do użytku. Postępuj zgodnie z instrukcjami dotyczącymi smarowania i wymiany akcesoriów. Okresowo sprawdzaj przewody narzędzi i jeśli są uszkodzone, oddaj je do użytku naprawionego przez autoryzowanego technika. Uchwyty muszą być zawsze czyste, suche i wolne od oleju i smaru. Proszę wyłączyć i odłączyć przed konserwacją i czyszczeniem.
10. Unikaj niezamierzonego uruchomienia. Upewnij się, że przełącznik jest w pozycji wyłączonej, gdy nie jest używany i przed podłączeniem.



11. Zachowaj czujność. Uważaj, co robisz, kieruj się zdrowym rozsądkiem. Nie rób obrotów dowolnym narzędziem, gdy jesteś zmęczony.
12. Sprawdź, czy nie ma uszkodzonych części. Przed użyciem jakiegokolwiek narzędzia, jakiegokolwiek części wygląda na uszkodzone, należy dokładnie sprawdzić, aby ustalić, czy rzeczywiście tak jest. Działanie narzędzia musi być zgodne z zamierzoną funkcją. Sprawdź wyrównanie i wiązanie ruchomych części; wszelkie uszkodzone części lub elementy montażowe; i wszelkie inne warunki, które mogą mieć wpływ na prawidłowe działanie. Jakakolwiek uszkodzony powinien zostać naprawiony lub wymieniony przez wykwalifikowanego technika. Nie używaj narzędzia, jeśli jakikolwiek połączenie nie łączy się i nie łączy prawidłowo.
13. Chronić przed porażeniem prądem. Unikaj kontaktu ciała z uziemieniami powierzchniowymi, takimi jak rury, grzejniki, kucharki i obudowy łodzi.
14. Części zamienne i akcesoria. Podczas serwisowania używaj wyłącznie oryginalnych części zamienne. Użycie jakichkolwiek innych części spowoduje unieważnienie gwarancji. Użyj wyłącznie akcesoriów przeznaczonych do użytku z narzędziem.
15. Nie obsługuj narzędzia będąc pod wpływem alkoholu lub narkotyków. Przeczytaj etykiety ostrzegawcze na receptach, aby ustalić, czy Twoja ocena lub odruchy są osłabione podczas używania narkotyków. Jeśli masz jakiegokolwiek wątpliwość, nie rób tego. Nie obsługuj narzędzia.
16. Konserwacja. Dla własnego bezpieczeństwa należy przeprowadzić konserwację regularnie przez wykwalifikowanego technika.
17. Nigdy nie używaj maszyny w pobliżu materiałów łatwopalnych.
18. NIE zanurzaj urządzenia w wodzie lub innym płynie.
19. Tego produktu nie można używać do innych celów. Nieodpowiednie dla użytku komercyjnego. DO UŻYTKU WEWNĄTRZ.
20. Nie używaj alkoholu, benzyny itp. jako płynu chłodzącego.
21. Trzymaj osoby postronne w bezpiecznej odległości od miejsca pracy. Ktokolwiek wchodzi na obszar pracy, należy nosić środki ochrony osobistej. Fragmenty obrabianego przedmiotu lub uszkodzonego akcesorium mogą odlecieć i spowodować obrażenia poza bezpiecznym obszarem działania.
22. Mogą wystąpić operacje, do których elektronarzędzie nie zostało zaprojektowane. Zagrożenie i spowodowanie obrażeń ciała.
23. Nie używaj akcesoriów, które nie zostały specjalnie zaprojektowane i zalecane przez producenta narzędzia. Tylko ze względu na dodatek można przymocować elektronarzędzia, nie gwarantuje to bezpiecznej pracy.

24. Prędkość znamionowa akcesorium musi byćco najmniej równa maksymalna prędkość podana w instrukcji obsługi. Akcesoria działają szybciej niż ich prędkość znamionowa może się rozbić rozlecieć
25. To urządzenie nie jest przeznaczone do użytku przez osoby młode lub niedoświadczone, chyba że będą nadzorowane przez osobę odpowiedzialną, aby upewnić się, że mogą korzystać z urządzenia bezpiecznie. Małe dzieci należy nadzorować, aby mieć pewność, że nie tak się dzieje nie bawić się urządzeniem. Dzieci i zwierzęta powinny trzymać się z daleka produktu.
26. Nie używaj tego urządzenia do celów innych niż wskazane.
27. Nie używaj go na zewnątrz ani do celów komercyjnych. 29. NIE CZYSZCZĄC DOWOLNYM MATERIAŁEM ŚCIERNYM.
28. Nigdy nie pozostawiaj go bez nadzoru podczas użytkowania.
- Uwaga: wydajność tego narzędzia (jeśli jest zasilane napięciem sieciowym) może się różnić w zależności od zmian lokalnego napięcia sieciowego. Użytkownicy przed użyciem mogą również wpływać na wydajność narzędzia.
-  Ostrzeżenie: Ostrzeżenia, przestrogi i instrukcje omówione w instrukcji omówione w tej instrukcji obsługi nie mogą obejmować wszystkich możliwych warunków i sytuacji, które mogą wystąpić. To musi być operator rozumie, że liczy się zdrowy rozsądek i ostrożność. Czynniki, które nie mogą być wbudowane w ten produkt, ale muszą zostać dostarczone przez operatora narzędzia.
29. Jeśli tarcza szlifierska się poluzuje, natychmiast wyłącz maszynę i sprawdź, czy jest bezpiecznie zamontowany i czy nie jest uszkodzony.
30. Nigdy nie próbuj zatrzymać tarczy szlifierskiej rękami, nawet jeśli tak jest noszenie rękawic ochronnych. Koło przetrnie rękawice i dłonie, powodując poważne obrażenia. Nigdy nie używaj narzędzia bez ściernicy. Ostań na swoim miejscu.
31. Jeśli przewód zasilający jest uszkodzony, należy go wymienić na specjalny przewód lub montaż dostępny u producenta lub jego przedstawiciela serwisowego.

**ZACHOWAJ TE INSTRUKCJE**

**GLÓWNE ZASTOSOWANIE I CHARAKTERYSTYKA 1. Szlifowanie**

jest dokładne i szybkie, łatwe w obsłudze i niewymagające umiejętności szlifowania.

2. Ekonomiczna cena, która znacznie obniża koszty i poprawia efektywność.

3. Dzięki ściernicy diamentowej można ją bezproblemowo wyposażyć w dowolny kształt i długość żywotność

4. Sterowany elektrycznie i mocny silnik prądu stałego: stabilna częstotliwość obrotów i duża moc i długość żywotność

5. Maszyna jest wyposażona w funkcję regulacji rozmiaru punktu (punktu centralnego), który może skutecznie koordynować materiał otworu i prędkość obrotową.

Można kontrolować precyzję jakości i przedłużyć żywotność czwiertła.

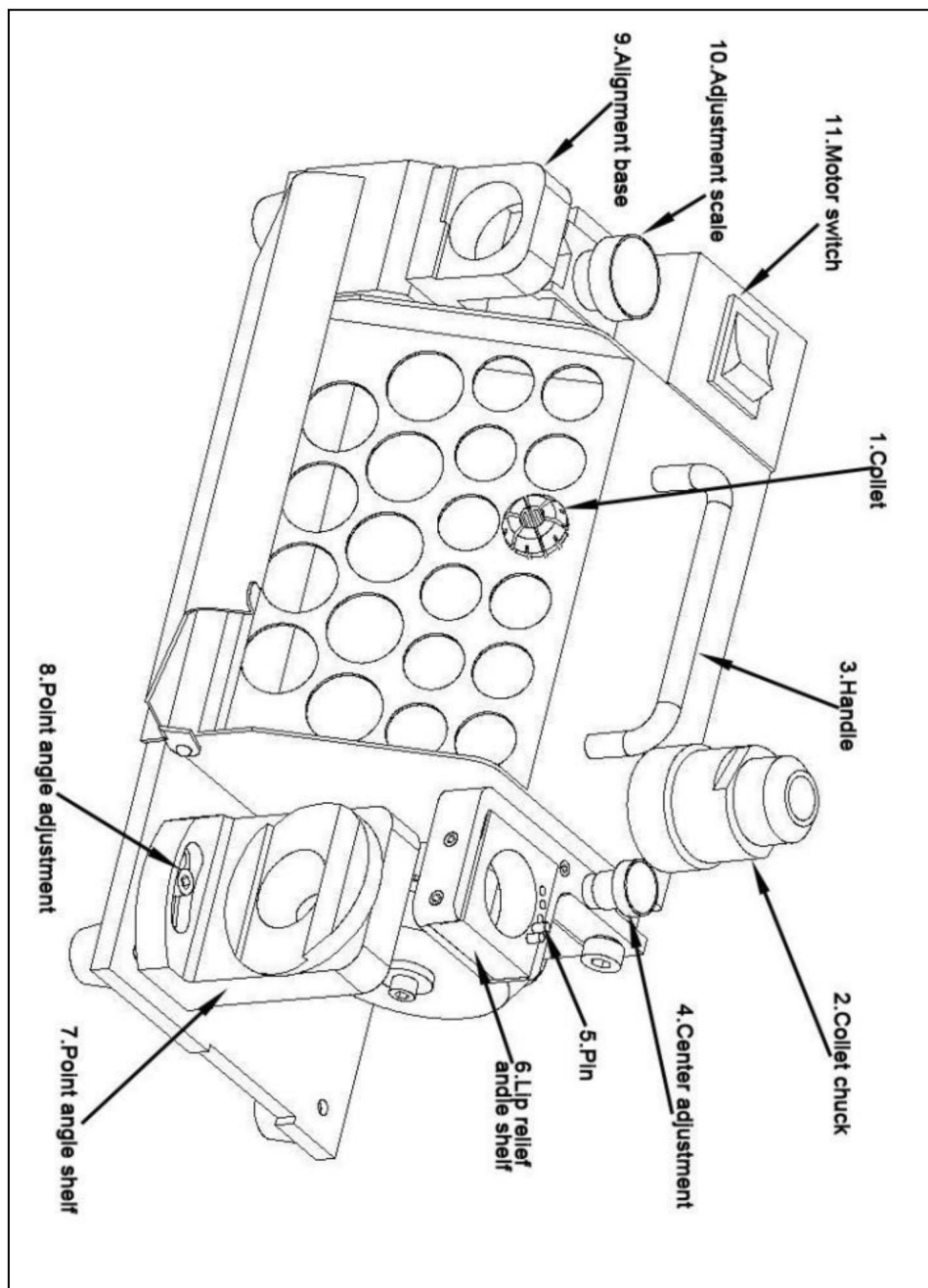
**PARAMETRY PRODUKTU**

MODEL	Napięcie	Silnik Moc	SZLIFOWANIE ZAKRES	PUNKT KĄT	RAMKA KOŁO G
MR-20G	Ameryka północna: AC120 V 60 Hz	120 W	Φ3 ~ Φ 20mm	95°~ 135°	CBN (za HSS)×1 SD (dla Węglika)×1
	Europejski Unia: AC220-240V 50 Hz				CBN (za HSS)×1 SD (dla Węglika)×1

**CZĘŚCI:** Tuleje zaciskowe ER20: φ3-φ13 (11 szt.), Tuleje zaciskowe ER25: φ14-φ20 (7 szt.)

Uchwyt zaciskowy (ER20) × 1 Tuleja zaciskowa (ER25)×1 Przewód elektryczny×1

2 szt. klucza sześciokątnego



## OPERACJE

A. Zamontuj wiertło w uchwycie zaciskowym ER.

\*Proszę wykonać kroki 1,2, aby ustawić wiertło w uchwycie (bez dokręcania)

1. Określ średnicę wiertła, a następnie wybierz odpowiednią tuleję zaciskową i uchwyt zaciskowy.

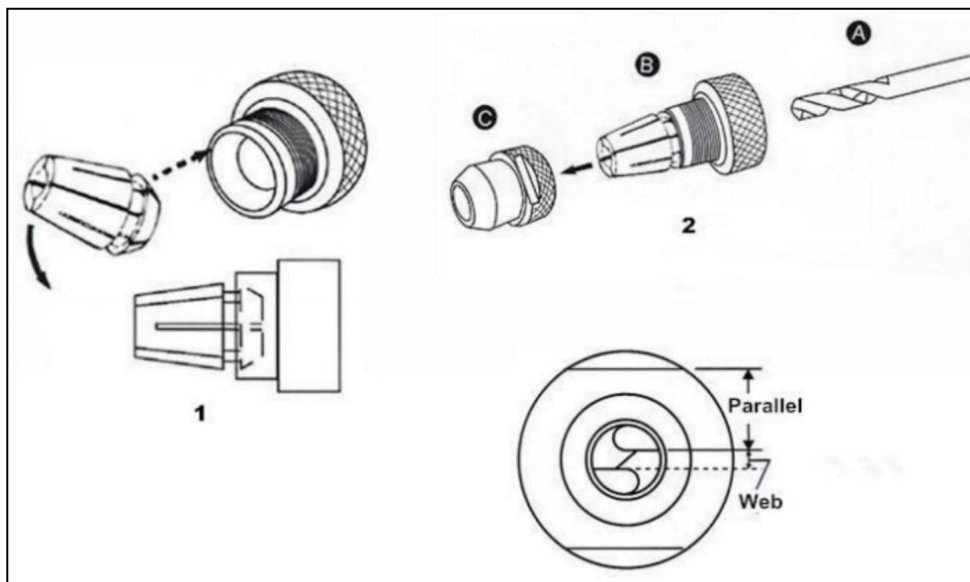
2. Włóż tuleję zaciskową do uchwytu tulejowego pod kątem 45° i lekko dokręć nakrętkę.

3. Włóż wiertło do uchwytu zaciskowego i wysuń nakrętkę na odległość około 35 mm od tulei zaciskowej

uchwytu, ale nie dokręcaj wiertła zbyt mocno. ※ Nie dokręcaj

całkowicie nakrętki mocującej za pomocą uchwytu zaciskowego, zachowaj ją

wiertło z możliwością regulacji.



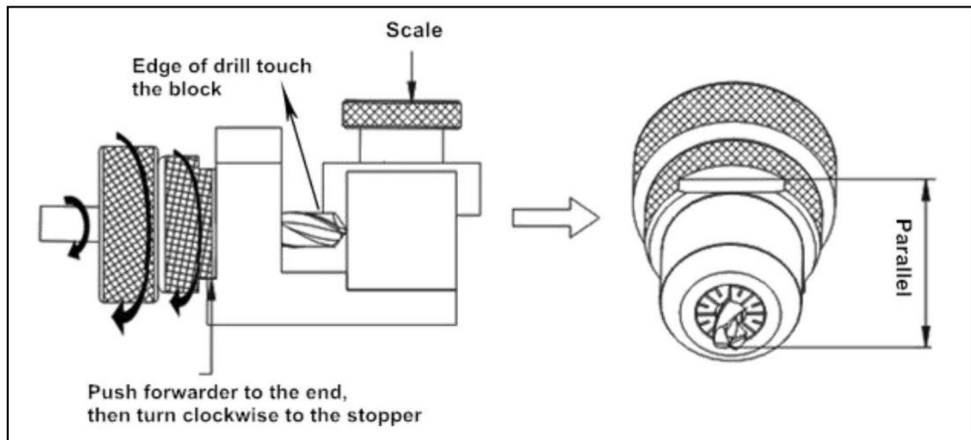
B. Wyrównaj wiertło

1. Zresetuj pierś cieni skali: obróć pierś cieni do końca w kierunku zgodnym z ruchem wskazówek zegara, a następnie obróć w kierunku przeciwnym do ruchu wskazówek zegara do liczby odpowiadającej rozmiarowi wiertła.

2. Włóż zestaw uchwytów do półki regulacji wstęgi. Następnie połącz go szczelnie.

Obróć w kierunku zgodnym z ruchem wskazówek zegara do końca.

3. Podłącz wiertło do końca i obróć do końca w kierunku zgodnym z ruchem wskazówek zegara.
4. Obróć zestaw uchwytów w kierunku zgodnym z ruchem wskazówek zegara do końca i dokręć go.
5. Obróć zestaw uchwytów nieco w kierunku przeciwnym do ruchu wskazówek zegara i delikatnie go wyjmij. ※ Upewnij się, że krawędź tnąca wiertła jest równoległa do szczeliny mocującej nakrętkę przed rozpoczęciem szlifowania. Jeśli nie jest równoległa, wyreguluj go ponownie.



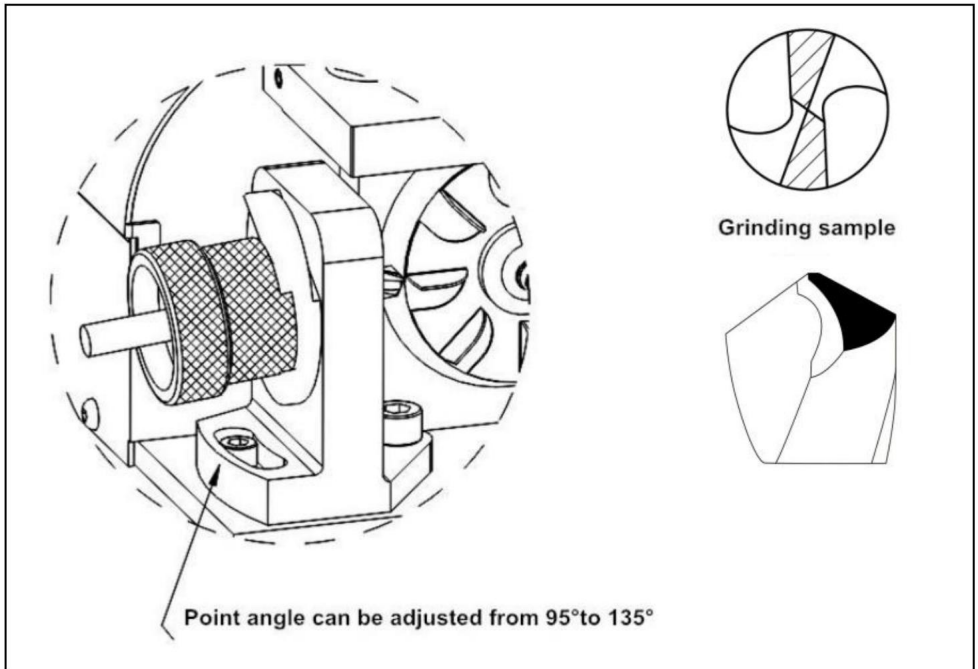
Uwaga: Jeśli krawędź tnąca jest skierowana w dół, należy zwiększyć skalę wstęgi półka regulacyjna. Jeśli jest w górę, zmniejsz skalę sieci półka regulacyjna.

Kiedy długość rowka wiertła staje się krótsza, grubość środnika wiertła stała się grubszy. Zatem dla tej samej średnicy wiertła, tym krótsze długość rowka, tym większa musi być skala półki regulacyjnej wstęgi zwiększony.

### C. Zeszlifuj kąt wierzchoła kowy

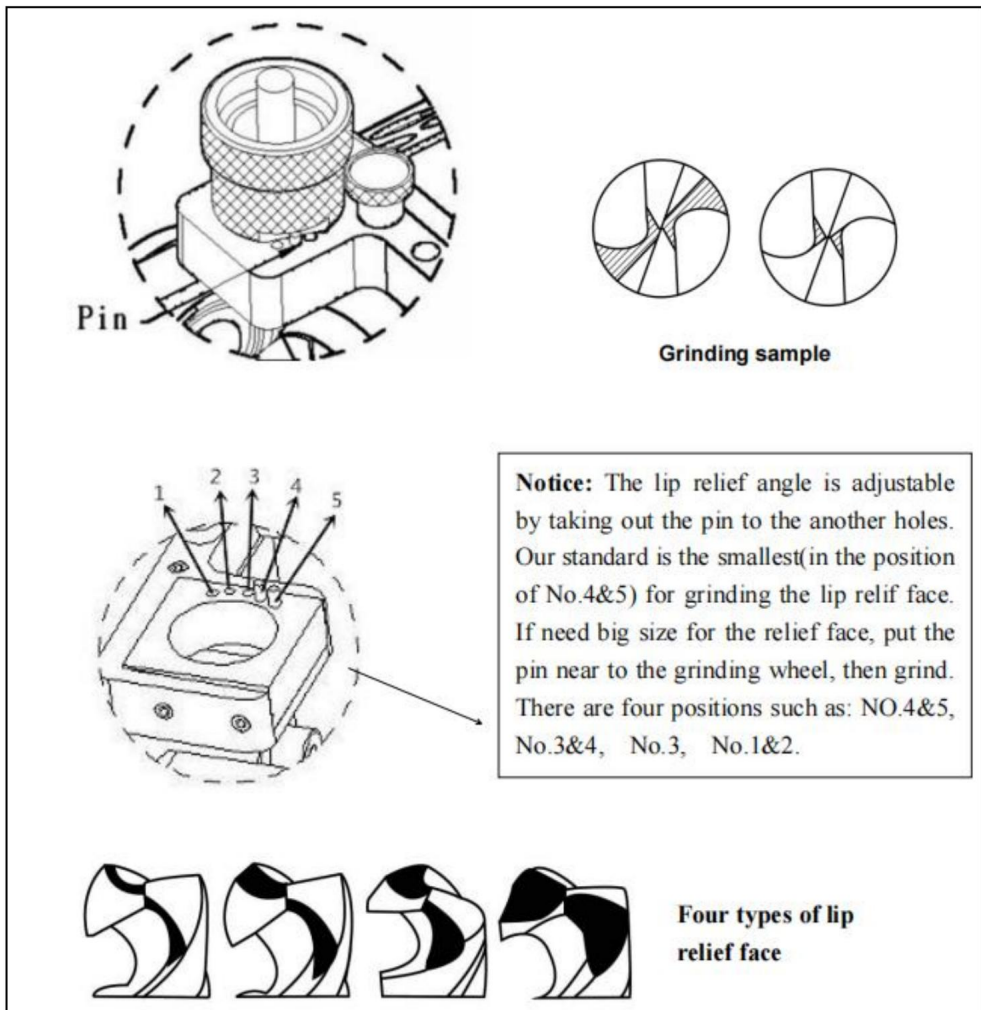
Włącz wyłącznik zasilania i poczekaj, aż obroty silnika ustabilizują się (ok 10 sekund), umieść zestaw uchwytów na półce do szlifowania kąowego. Rowek nakrętki mocującej musi pasować do dwóch sworzni półki szlifierskiej. Delikatnie włoż wiertło w półkę szlifierską, aż dotrze do tarczy szlifierskiej. Szlifuj wiertłem, poruszając się w lewo i prawo, aż dźwięk zgrzytania zniknie. A następnie obróć się na drugą stronę, wykonaj to samo, aby zeszlifować wiertło.

- \* Rozmiar szlifowania wiertła wynosi 2 mm-13 mm (15 mm)
- \* Kąt wierzchoła kowy wiertła wynosi od 95° do 135°.
- \* Podczas szlifowania nie trzymaj trzonka wiertła, będzie to miało wpływ na dokładność



#### D. Zszlifuj kąt przyłożenia wargi

Umieść zestaw uchwytów na półce dzielącej punkt. Szczelina nakrętki mocującej musi być dopasowana pasować do sworznia półki szlifierskiej. Delikatnie włóż wiertło w półkę szlifierską aż dotrzesz do tarczy szlifierskiej. Szlifuj wiertło, poruszając się w lewo i prawo, aż do dźwięku zgrzytania zniknie. Obróć się z powrotem do środka sworznia i wyjmij, następnie obróć się na drugą stronę, wykonaj to samo, aby zszlifować wiertło.



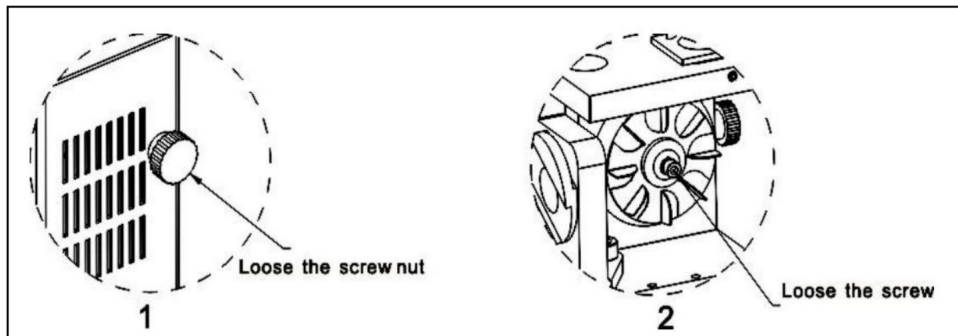
## CZYSTOŚĆ I KONSERWACJA

Przed i po użyciu należy wyczyścić urządzenie za pomocą pistoletu pneumatycznego, szczególnie otwory.



## WYMIANA KOŁA

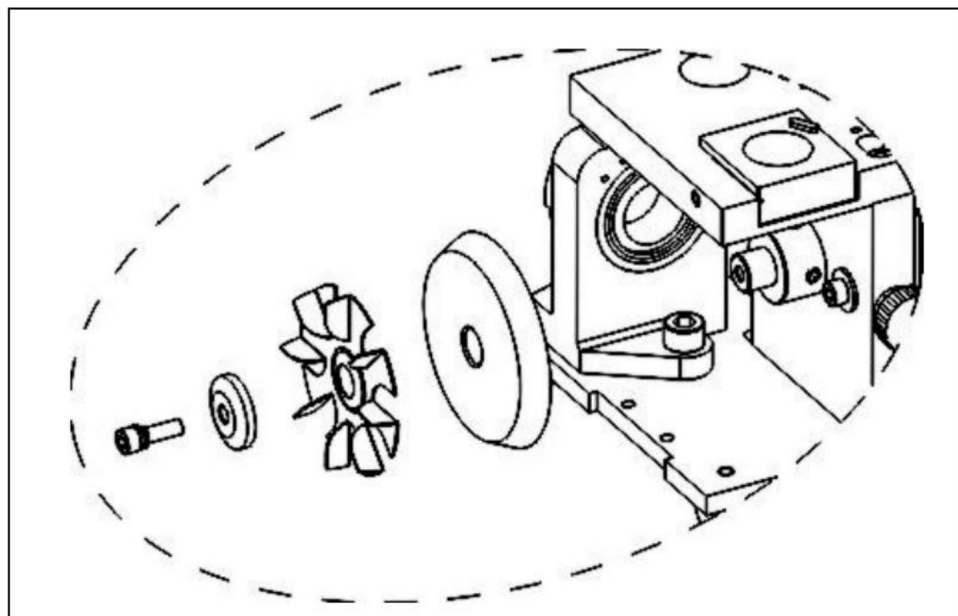
### A. Otwórz osłone koła



1. Upewnij się, że przewód zasilający jest odłączony. 2.

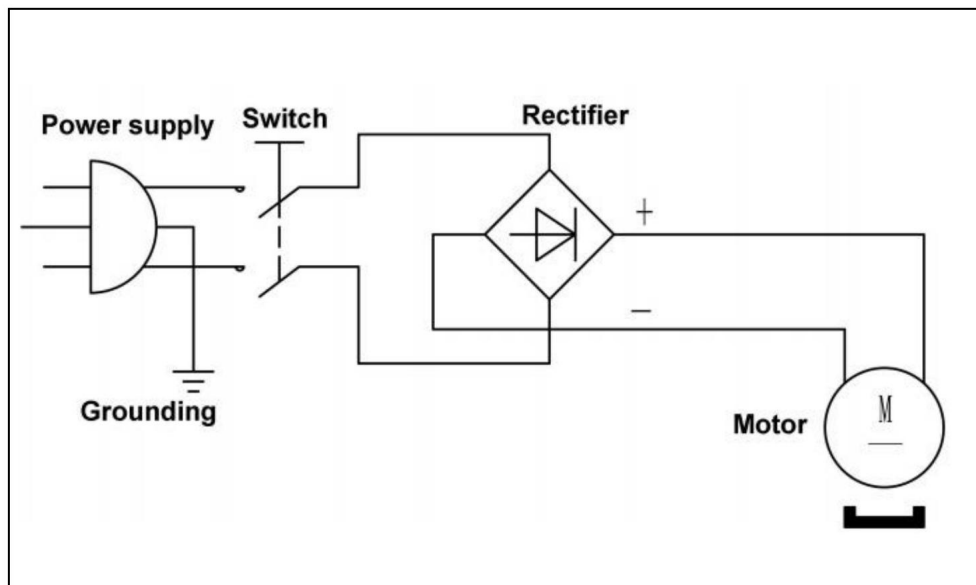
Następnie za pomocą klucza imbusowego 4 mm poluzuj śrubę, aby otworzyć pokrywę.

### B. Wyjmij tarczę szlifierską



1. Do czyszczenia urządzenia użyj szczotki, a następnie wyczyść ją suchą szmatką powierzchnia.
2. Jeśli po prostu używasz urządzenia, odczekaj 3 minuty po szlifowaniu temperatura jest jesienna.
3. Lewą ręką przytrzymaj koło, a następnie użyj klucza imbusowego 4 mm prawą ręką poluzuj śrubę w kierunku przeciwnym do ruchu wskazówek zegara.
4. Wyjmij diamentową tarczę szlifierską z maszyny.
5. Wymień nową tarczę szlifierską.
6. Umieść koło na głównej osi silnika i dokręć śrubę osłonę koła, aby zakończyć

Uwaga: główna oś silnika jest bardzo precyzyjna, jeśli możesz to prowadzić do nieprawidłowej pracy uszkodzenia, wpływając w ten sposób na położenie ściernicy.



Adres: Baoshanqu Shuangchenglu 803long 11hao 1602A-1609shi Szanghaj

Import do

USA: Sanven Technology Ltd. Suite 250, 9166 Anaheim Place, Rancho

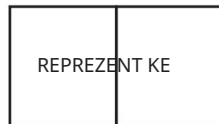
Cucamonga, CA 91730



Pooledas Group Ltd

Jednostka 5 Albert Edward House, pawilony

Preston, Wielka Brytania



SHUNSHUN GmbH

Römeräcker 9 Z2021, 76351

Linkenheim-Hochstetten, Niemcy

Wyprodukowano w Chinach

**VEVOR<sup>®</sup>**

**TOUGH TOOLS, HALF PRICE**

Wsparcie techniczne i certyfikat e-gwarancji [www.  
wevor.com/wsparcie](http://www.wevor.com/wsparcie)

# **VEVOR<sup>®</sup>**

## **TOUGH TOOLS, HALF PRICE**

Technische ondersteuning en e-garantiecertificaat [www.vurig.com/ondersteuning](http://www.vurig.com/ondersteuning)

## **BOREN SLIJPER**

**MODEL: MR-20G**

We blijven ons inzetten om u gereedschap tegen een concurrerende prijs te bieden.

"Bespaar de helft", "Halve prijs" of andere soortgelijke uitdrukkingen die door ons worden gebruikt vertegenwoordigt slechts een schatting van de besparingen die u zou kunnen profiteren als u bepaalde gereedschappen bij ons koopt in vergelijking met de grote topmerken en betekent niet noodzakelijkerwijs dat deze alle categorieën van aangeboden gereedschappen omvatten door ons. Wij verzoeken u vriendelijk om bij het plaatsen van een bestelling bij ons goed na te gaan of u daadwerkelijk de helft bespaart in vergelijking met de grote topmerken.

# VEVOR<sup>®</sup> BOREN SLIJPER

TOUGH TOOLS, HALF PRICE

MODEL: MR-20G



**HULP NODIG? NEEM CONTACT MET ONS OP!**

Heeft u productvragen? Technische ondersteuning nodig? Neem gerust contact met ons op:

**Technische ondersteuning en e-garantiecertificaat [www.vurig.com/ondersteuning](http://www.vurig.com/ondersteuning)**

Dit is de originele instructie. Lees alle instructies in de handleiding zorgvuldig door voordat u ermee aan de slag gaat. VEVOR behoudt zich een duidelijke interpretatie van onze gebruikershandleiding voor. Het uiterlijk van het product is afhankelijk van het product dat u heeft ontvangen. Vergeef ons alstublieft dat we u niet opnieuw zullen informeren als er technologie- of software-updates zijn voor ons product.

	Waarschuwing-Om het risico op letsel te verminderen, moet de gebruiker dit lezen gebruiksaanwijzing zorgvuldig.
	Draag tijdens het werken altijd een ANSL-goedgekeurde veiligheidsbril met gereedschap en apparatuur.
	Draag oogbescherming.
	Draag gehoorbescherming. Draag beschermende handschoenen.
	Compliance is een EG- en VK-veiligheids certificering.
	<b>CORRECTE VERWIJDERING</b> Dit product valt onder de bepalingen van de Europese richtlijn 2012/19/EG. Het symbool met een gekruiste kliko through geeft aan dat het product gescheiden afval vereist collectie in de Europese Unie. Dit geldt voor het product en alle accessoires gemarkeerd met dit symbool. Producten als zodanig gemarkeerd mogen niet bij het normale huishoudelijke afval worden weggegooid afval, maar moet naar een inzamelpunt worden gebracht voor recycling elektrische en elektronische apparaten

## Veiligheidswaarschuwingen en voorzorgsmaatregelen

Bedankt voor het gebruik van dit product. Om er zeker van te zijn dat het wel kan  
Bedien de machine op de juiste manier; lees eerst deze instructie aandachtig door  
gebruik en bewaar deze op de juiste manier voor toekomstig gebruik. Zorg ervoor dat u dit leest  
de voorzorgsmaatregelen en veiligheidsregels op deze pagina om uw veilig gebruik te garanderen. Dit  
In de handleiding worden veiligheidswaarschuwingen en voorzorgsmaatregelen,  
bediening, onderhoud en reiniging uiteengezet. De waarschuwingen en instructies die hierin worden besproken  
handleiding kan niet alle mogelijke omstandigheden en situaties beschrijven die zich kunnen voordoen.  
Voorzichtigheid en gezond verstand zijn niet ingebouwd in dit product, zoals wij geloven  
dat de toepassingen aan deze codes zullen voldoen.

## Lees ALLE instructies voordat u uw machine gebruikt.

1. **Houd de werkplek schoon.** Rommelige ruimtes nodigen uit tot blessures.
2. **Houd rekening met de omstandigheden op de werkplek.** Gebruik geen machines of elektrisch gereedschap vochtige of natte locaties. Niet blootstellen aan regen. Houd de werkplek goed verlicht.  
Gebruik geen elektrisch aangedreven gereedschap in de aanwezigheid van brandbare gassen of vloeistoffen.
3. **Houd kinderen uit de buurt.** Kinderen mogen nooit in het werkgebied worden toegelaten. Laat ze niet omgaan met machines, gereedschap of verlengsnoeren.
4. **Bewaar niet-gebruikte apparatuur.** Wanneer het gereedschap niet wordt gebruikt, moet het op een droge plek worden bewaard locatie om roest tegen te gaan. Berg gereedschap altijd op en houd het buiten bereik kinderen.
5. **Gebruik het juiste gereedschap voor de klus.** Probeer niet een klein gereedschap te forceren of hulpstuk om het werk van een groter industrieel gereedschap te doen. Er zijn bepaalde toepassingen waarvoor deze tool is ontworpen. Het zal het werk beter doen en veiliger op het tempo waarvoor het bedoeld was. Wijzig dit hulpmiddel niet en gebruik dit hulpmiddel niet voor een doel waarvoor het niet bedoeld is.
6. **Kleed je goed.** Draag geen losse kleding of sieraden, aangezien dit mogelijk is gevangen in bewegende delen.  
Beschermende, elektrisch niet-geleidende kleding en antislipschoenen wel aanbevolen tijdens het werken. Draag beperkende haarbedekking om lang haar vast te houden haar
7. **Gebruik oog- en gehoorbescherming.** Draag altijd ANSI-goedgekeurde impactveiligheid stofbril. Draag een volgelaatsscherm als u metaalvijsel of hout produceert chips.
8. **Reik niet te ver.** Zorg ervoor dat u te allen tijde goed staat en in evenwicht blijft. Niet doen reik over of over lopende machines heen.
9. **Onderhoud gereedschap zorgvuldig.** Houd gereedschap scherp en schoon voor beter en veiliger prestaties. Volg de instructies voor het smeren en vervangen accessoires. Inspecteer de gereedschapssnoeren regelmatig en bewaar ze als ze beschadigd zijn gerepareerd door een bevoegde technicus. De handgrepen moeten te allen tijde schoon, droog en vrij van olie en vet worden gehouden. Schakel het apparaat uit en haal de stekker uit het stopcontact vóór onderhoud en reiniging.
10. **Voorkom onbedoeld starten.** Zorg ervoor dat de schakelaar in de Uit-positie staat

wanneer deze niet in gebruik is en voordat u de stekker in het stopcontact steekt.



11. **Blijf alert.** Let op wat je doet, gebruik je gezond verstand. Niet doen

bedien elk gereedschap als u moe bent.

12. **Controleer op beschadigde onderdelen.** Voordat u welk gereedschap dan ook gebruikt, welk onderdeel dan ook

beschadigd lijkt, moet zorgvuldig worden gecontroleerd om vast te stellen dat dit het geval is

correct functioneert en de beoogde functie vervult. Controleer op uitlijning

en binden van bewegende delen; eventuele kapotte onderdelen of bevestigingsmiddelen; En

elke andere omstandigheid die de juiste werking kan beïnvloeden. Welk onderdeel dan ook

beschadigd moet op de juiste manier worden gerepareerd of vervangen door een gekwalificeerde technicus.

Gebruik het gereedschap niet als een schakelaar niet goed in- en uitgeschakeld kan worden.

13. **Bescherm u tegen elektrische schokken.** Voorkom lichaamscontact met geaarde apparaten

oppervlakken zoals buizen, radiatoren, fornuizen en koelkastbehuizingen.

14. **Vervangende onderdelen en accessoires.** Alleen gebruiken bij onderhoud

identieke vervangingsonderdelen. Bij gebruik van andere onderdelen vervalt de garantie.

Gebruik alleen accessoires die bedoeld zijn voor gebruik met gereedschap.

15. **Gebruik het gereedschap niet als u onder invloed bent van alcohol of drugs.**

Lees de waarschuwinglabels op recepten om te bepalen of uw oordeel wel of niet klopt

reflexen zijn verminderd tijdens het gebruik van medicijnen. Als er enige twijfel bestaat, doe dat dan niet

het gereedschap bedienen.

16. **Onderhoud.** Voor uw veiligheid moet er onderhoud worden uitgevoerd

regelmatig door een gekwalificeerde technicus.

17. Gebruik de machine nooit in de buurt van brandbare materialen.

18. Dompel het apparaat **NIET** onder in water of een andere vloeistof.

19. Dit product kan niet voor andere doeleinden worden gebruikt. Niet geschikt voor

commercieel gebruik. **ALLEEN BINNENSHUIS TE GEBRUIKEN.**

20. Gebruik geen alcohol, benzine, etc. als koelvloeistof.

21. **Houd omstanders op veilige afstand van de werkplek. Iedereen**

**die het werkgebied betreedt, moet persoonlijke beschermingsmiddelen dragen.**

Fragmenten van het werkstuk of van een kapot accessoire kunnen wegvliegen en schade veroorzaken

letsel buiten het directe operatiegebied.

22. **Er kunnen handelingen ontstaan waarvoor het elektrisch gereedschap niet is ontworpen**

**een gevaar vormen en persoonlijk letsel veroorzaken.**

23. **Gebruik geen accessoires die niet specifiek ontworpen zijn**

**aanbevolen door de gereedschapsfabrikant.** Gewoon vanwege het accessoire

op uw elektrisch gereedschap kan worden aangesloten, garandeert dit geen veilige werking.

24. **De nominale snelheid van het accessoire moet minimaal gelijk zijn aan de maximale snelheid aangegeven in de gebruikershandleiding.** Accessoires werken sneller dan hun nominale snelheid kan breken en uit elkaar vliegen.


25. Dit apparaat is niet bedoeld voor gebruik door jonge of zwakke personen tenzij onder toezicht van een verantwoordelijke persoon om ervoor te zorgen dat zij het apparaat kunnen gebruiken apparaat veilig. Er moet toezicht worden gehouden op jonge kinderen om er zeker van te zijn dat ze speel niet met het apparaat. Kinderen en huisdieren moeten uit de buurt blijven het product.

26. Gebruik dit apparaat niet voor andere doeleinden dan het aangegeven gebruik.

27. Gebruik het niet buitenshuis of voor commerciële doeleinden. 29. NIET DOEN REINIG HET MET SCHUREND MATERIAAL.

28. Laat het apparaat nooit onbeheerd achter terwijl het in gebruik is.

**Opmerking: De prestaties van dit gereedschap (indien gevoed door netspanning) kunnen variëren afhankelijk van variaties in de lokale lijnspanning. Gebruik van verlengsnoeren kan ook de prestaties van het gereedschap beïnvloeden.**

** Waarschuwing: De waarschuwingen, waarschuwingen en instructies die worden besproken in Deze instructie die in deze handleiding wordt besproken, kan niet alles omvatten mogelijke omstandigheden en situaties die zich kunnen voordoen. Het moet zijn de exploitant begrijpt dat gezond verstand en voorzichtigheid belangrijk zijn factoren die niet in dit product kunnen worden ingebouwd, maar wel moeten worden meegeleverd door de operator van het gereedschap.**

29. Als de slijpschijf losraakt, schakel dan de machine onmiddellijk uit en controleer of deze stevig is gemonteerd en niet beschadigd is.

30. Probeer nooit de slijpschijf met uw handen tegen te houden, ook al doet u dat wel het dragen van veiligheidshandschoenen. Het wiel snijdt door handschoenen en uw hand en veroorzaakt ernstig letsel. Gebruik het gereedschap nooit zonder de **slijpschijf**

**Deksel** op zijn plaats.

31. Als het netsnoer beschadigd is, moet het vervangen worden door een speciaal snoer of montage verkrijgbaar bij de fabrikant of zijn serviceagent.

## **BEWAAR DEZE INSTRUCTIES**

**BELANGRIJKSTE TOEPASSING EN KENMERKEN** 1. Het

slijpen is nauwkeurig en snel, eenvoudige bediening zonder vaardigheid om te slijpen.

2. Economische prijs die de kosten aanzienlijk verlaagt en het gebruikseffect verbetert.

3. Met een diamantslijpschijf kan deze direct worden uitgerust met een nauwkeurige hoek en een lange levensduur.

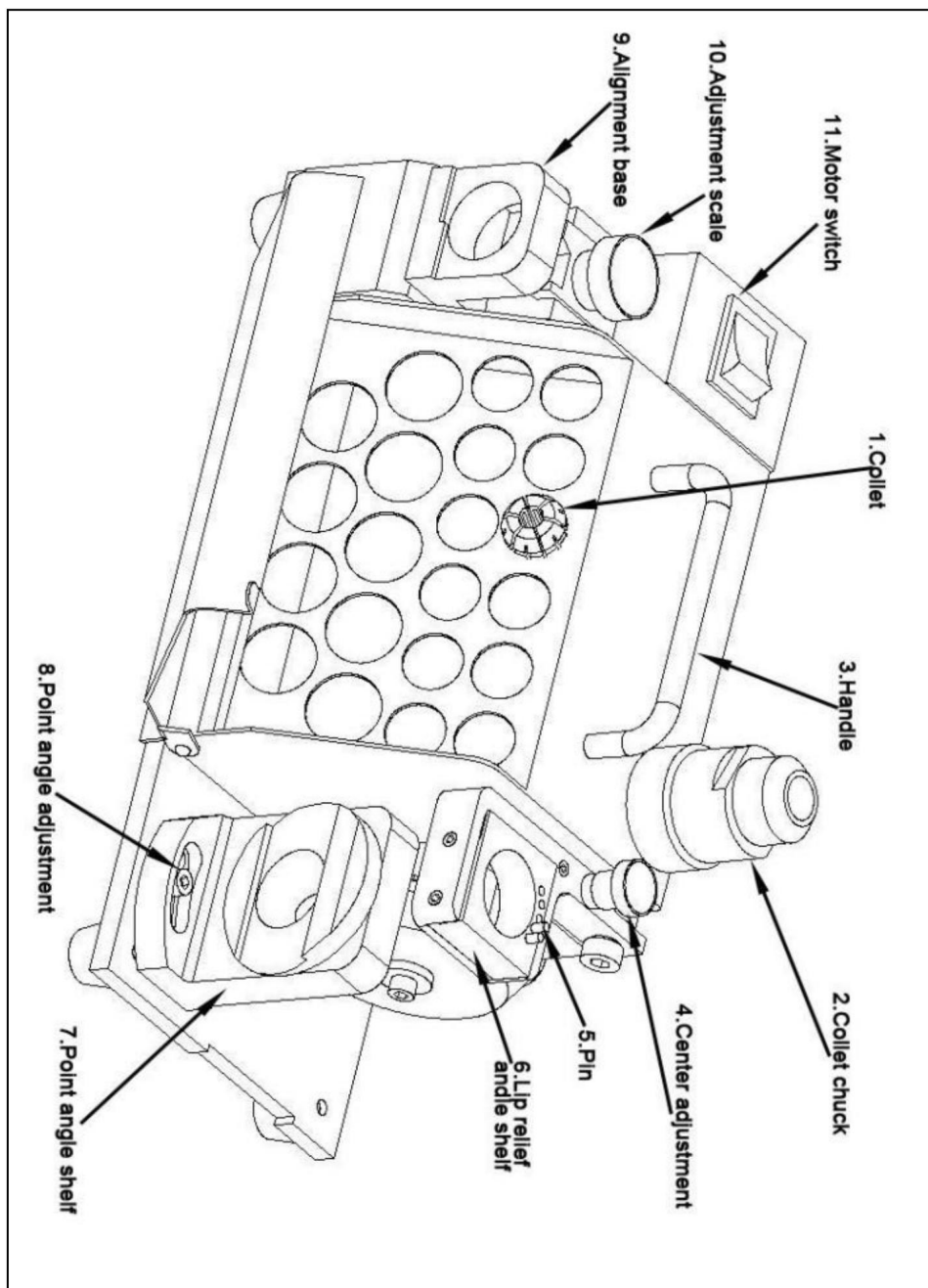
4. De elektrisch gestuurde en krachtige DC-motor: stabiele frequentie, sterke paardenkracht en lange levensduur.

5. De machine is ingesteld met de functie van het aanpassen van een puntgrootte (centraal punt), die effectief kan coördineren met het materiaal van het boorgat en de rotatiesnelheid. Het kan de kwaliteitsprecisie regelen en de levensduur van de boor verlengen.

**PRODUCTPARAMETERS**

MODEL	Spanning	Motor Stroom	SLIJPEN BEREIK	PUNT HOEK	DE LIJST G-WIEL
MR-20G	Noord Amerika: AC120V 60Hz	120W	ÿ3-ÿ 20 mm	95°~ 135°	CBN (voor HSS)×1 SD (voor Carbide)×1
	Europese Unie: AC220-240V 50 Hz				CBN (voor HSS)×1 SD (voor Carbide)×1

ONDERDELEN: ER20 spantangen: ÿ3-ÿ13 (11 stuks), ER25 spantangen: ÿ14-ÿ20 (7 stuks)  
spantang (ER20) ×1 Spantang (ER25) × 1 Elektrische draad × 1 2 stuks  
inbussleutel



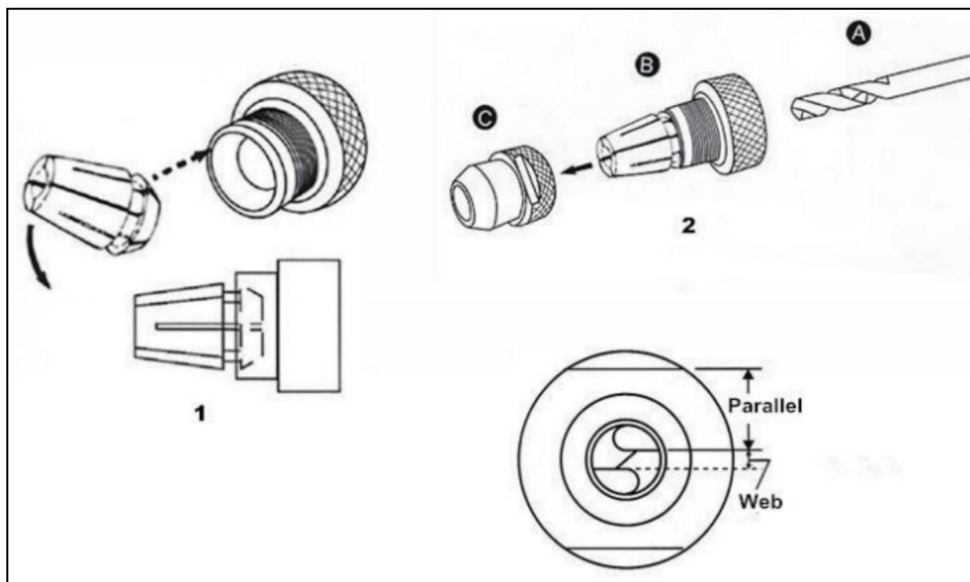
# ACTIVITEITEN

## A. Plaats de boor op de ER-spantanghouder.

\*Volg stap 1,2 om de boor op de boorkop te plaatsen (zonder aanscherping)

1. Bepaal de diameter van uw boor en selecteer vervolgens de juiste spantang en spantang.
2. Steek de spantang in een hoek van 45° in de spantang en draai de moer lichtjes aan.
3. Steek de boor in de spantang en de moeren ongeveer 35 mm uit de spantang

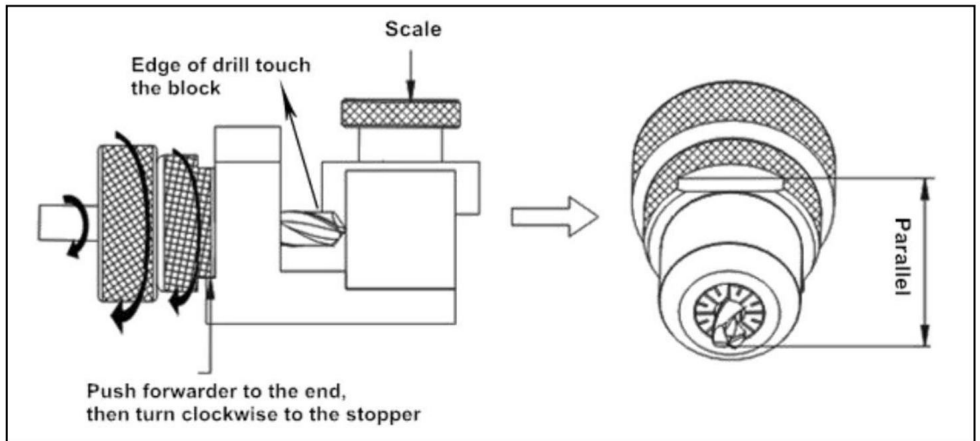
boorhouder, maar draai de boor niet te strak vast. ÿ Draai de klemmoer niet volledig vast met de spantang, bewaar de boor kan worden aangepast.



## B. Lijn de boor uit

1. Reset de schaalring: draai de ring helemaal met de klok mee en draai hem vervolgens tegen de klok in tot het getal dat overeenkomt met de grootte van de boor.
2. Plaats de spantangset in het baanafstelplateau. Sluit het vervolgens stevig aan. Draai hem met de klok mee tot het einde.

3. Sluit de boor aan tot het uiteinde en draai hem met de klok mee tot het uiteinde.
4. Draai de spantangset rechtsonder tot het einde en draai deze vast.
5. Draai de spantang iets naar links en verwijder hem voorzichtig. Zorg ervoor dat de snijlijp van de boor parallel loopt met de klemgleuf moer voordat het slijpen begon. Als het niet parallel is, past u het opnieuw aan.



Let op: Als de snijlijp naar beneden is gericht, moet de schaal van de baan groter worden aanpassing plank. Als deze naar boven gericht is, verklein dan de schaal van het web aanpassing plank.

Wanneer de spiraallengte van een boor korter wordt, wordt de lijfdikte van een boor kleiner dikker zou worden. Dus, voor dezelfde diameter van boren, hoe korter lengte van een boor, hoe hoger de schaal van de baanaanpassingsplank moet zijn toegenomen.

### C. Slijp de punthoek

Zet de aan/uit-schakelaar aan en wacht tot de motorrotatie stabiel is (ca 10 seconden), plaats de spantangset in het punthoekslijpplateau.

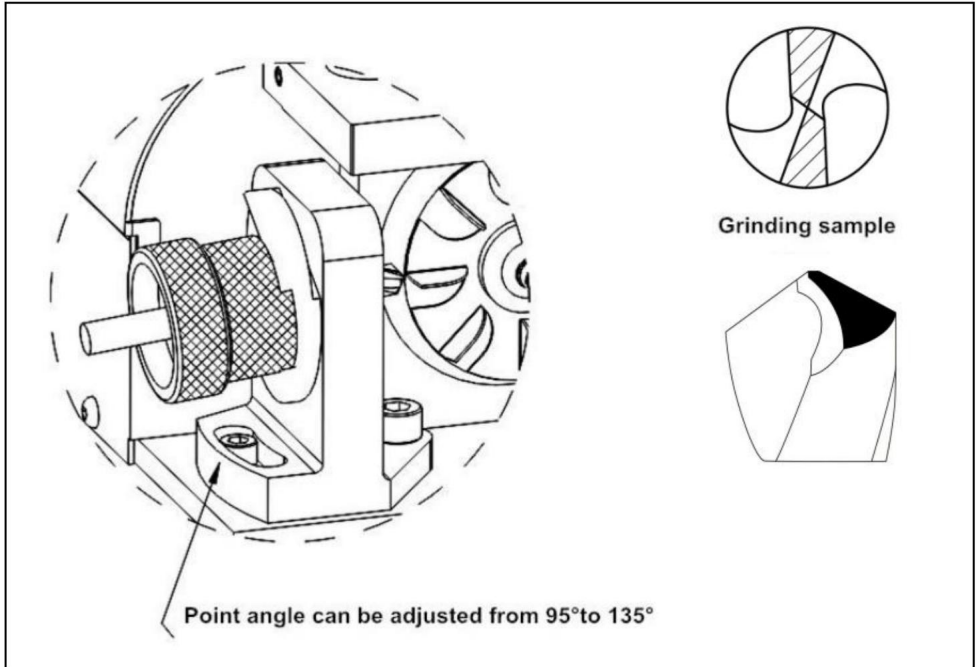
De gleuf van de klemmoer moet passen in de twee pinnen van het maalrooster.

Steek de boor voorzichtig in het slijpplateau totdat u het slijpwiel bereikt.

Slijp de boor door naar links en rechts te bewegen totdat het slijpgeluid verdwijnt.

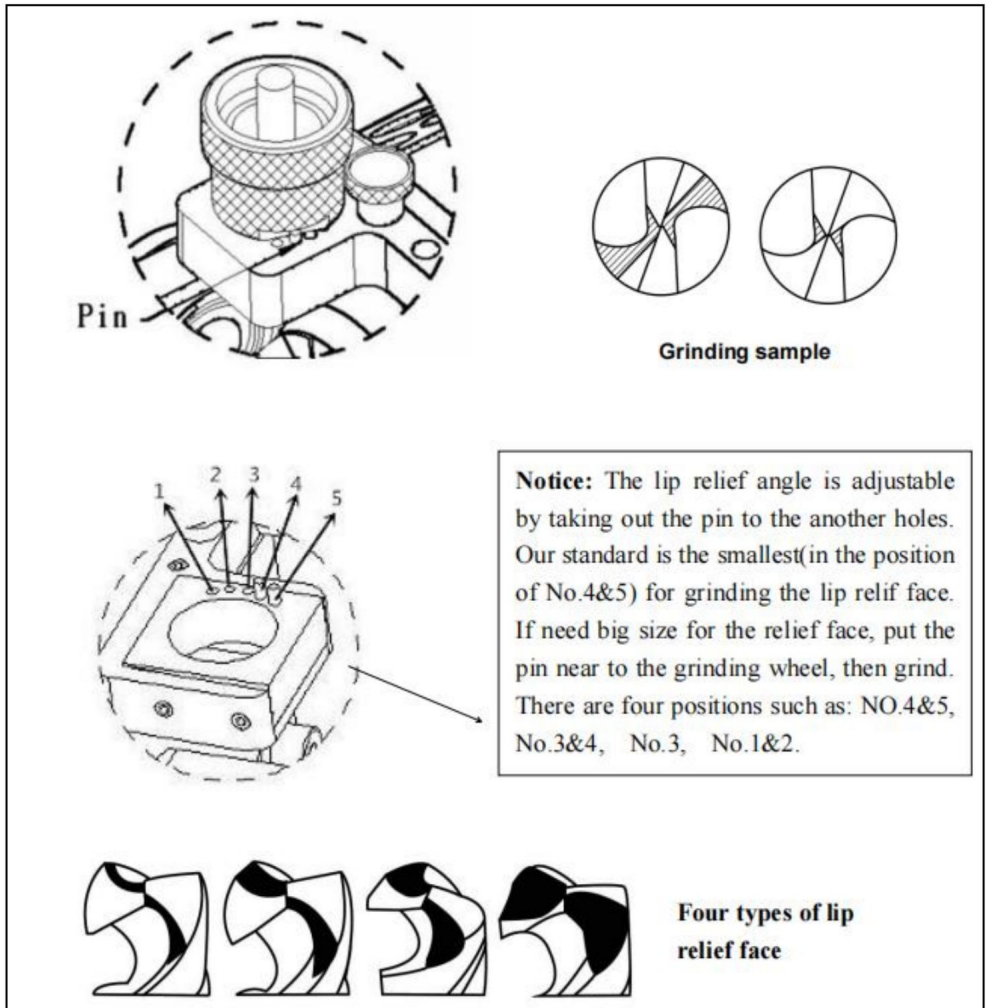
En draai dan naar de andere kant, doe hetzelfde om de boor te slijpen.

- \* De slijpgrootte van de boor is 2 mm-13 mm (15 mm)
- \* De punthoek van de boor bedraagt 95° tot 135°.
- \* Houd tijdens het slijpen de boorsteel niet vast, dit heeft invloed op de nauwkeurigheid.



#### D. Slijp de lipontlastingshoek

Plaats de spantangset in het puntsplitsplateau. De gleuf van de klemmoer moet passen met de pen van het maalrek. Steek de boor voorzichtig in de slijplank tot je de slijpschijf bereikt. Slijp de boor door naar links en rechts te bewegen tot het schurende geluid verdwijnt. Draai terug naar het midden van de pin en haal eruit, draai dan naar de andere kant, doe hetzelfde om de boor te slijpen.



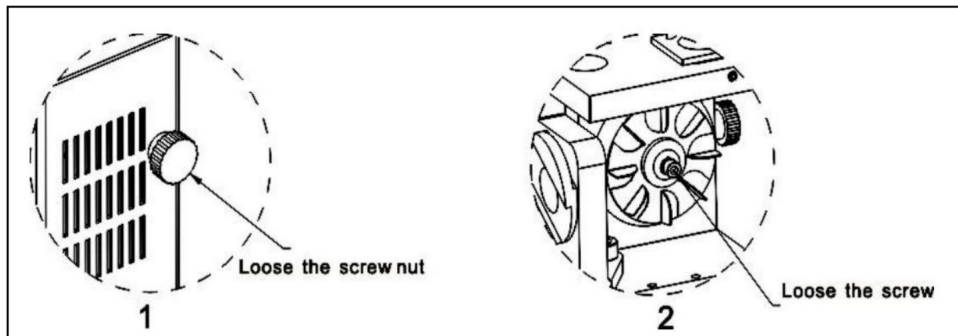
## SCHOON EN ONDERHOUD

Reinig het hele apparaat met een luchtblaaspistool, vooral de gaten voor en na gebruik.



# HET WIEL VERVANGEN

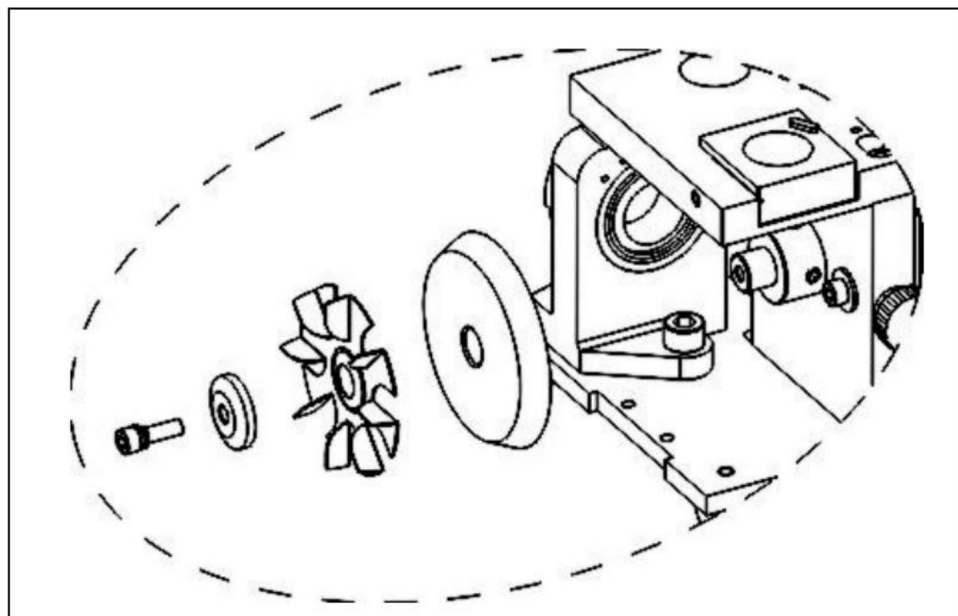
## A. Open de wioldop



1. Zorg ervoor dat het veilig is dat het netsnoer is losgekoppeld. 2.

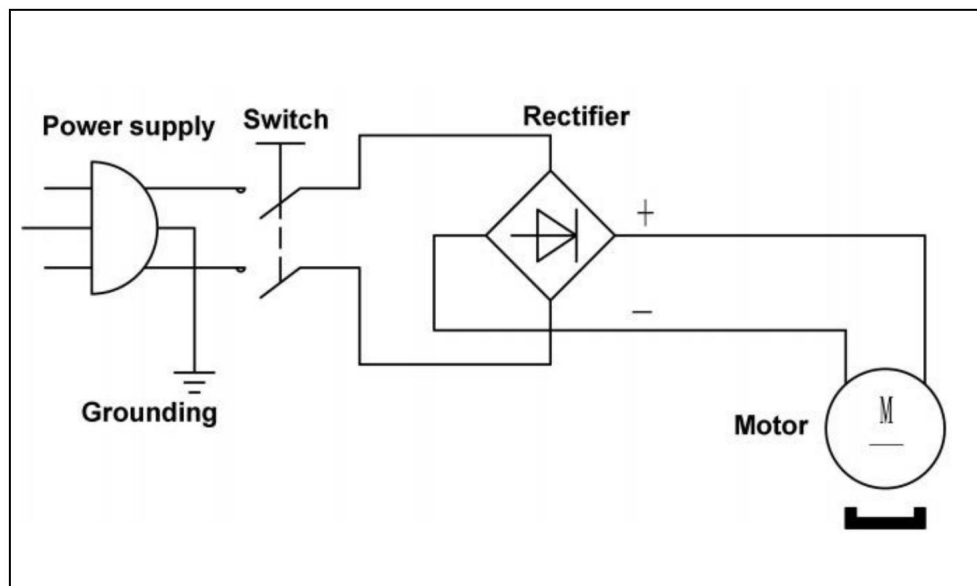
Gebruik vervolgens de 4 mm inbusleutel om de schroef los te draaien en het deksel te openen.

## B. Haal de slijpschijf eruit



1. Gebruik de borstel om de machine schoon te maken en gebruik vervolgens een droge doek om de machine schoon te maken oppervlak.
2. Als u de machine alleen gebruikt, wacht dan 3 minuten na het malen temperatuur is herfst.
3. Gebruik de linkerhand om het wiel vast te houden en gebruik vervolgens de 4 mm inbusleutel draai de schroef met de rechterhand tegen de klok in los.
4. Haal de diamantslijpschijf uit de machine.
5. Vervang de nieuwe slijpschijf.
6. Plaats het wiel in de hoofdas van de motor en draai de schroef vast de wioldop om te voltooien.

Let op: de hoofdas van de motor is zeer nauwkeurig, als verkeerd werk tot gevolg kan hebben de schade, waardoor de positie van de slijpschijf wordt beïnvloed.



Adres: Baoshanqu Shuangchenglu 803long 11hao 1602A-1609shi Shanghai

**Geïmporteerd in de VS:** Sanven Technology Ltd. Suite 250, 9166 Anaheim Place, Rancho Cucamonga, CA 91730



Pooledas Group Ltd  
Eenheid 5 Albert Edward House, de paviljoens  
Preston, Verenigd Koninkrijk



SHUNSHUN GmbH  
Römeräcker 9 Z2021, 76351  
Linkenheim-Hochstetten, Duitsland

**Gemaakt in China**

**VEVOR<sup>®</sup>**

**TOUGH TOOLS, HALF PRICE**

**Technische ondersteuning en e-garantiecertificaat**

**[www.vurig.com/ondersteuning](http://www.vurig.com/ondersteuning)**

# **VEVOR®**

## **TOUGH TOOLS, HALF PRICE**

Teknisk support och e-garanticertifikat [www.vevor.se/support](http://www.vevor.se/support)

### **BORRBITSSKÄRPARE**

**MODELL: MR-20G**

Vi fortsätter att vara engagerade i att ge dig verktyg till konkurrenskraftiga priser.

"Spara hälften", "halva priset" eller andra liknande uttryck som används av oss representerar endast en uppskattning av besparingar du kan dra nytta av att köpa vissa verktyg hos oss jämfört med de stora toppmärkena och betyder inte nödvändigtvis att täcka alla kategorier av verktyg som erbjuds av oss. Du påminns vänligen om att noggrant kontrollera när du gör en beställning hos oss om du faktiskt sparar hälften i jämförelse med de främsta stora varumärkena.

# VEVOR<sup>®</sup> BORRBITSSKÄRPARE

TOUGH TOOLS, HALF PRICE

MODELL: MR-20G










## BEHÖVS HJÄLP? KONTAKTA OSS!

Har du produktfrågor? Behöver du teknisk support? Kontakta oss gärna:

**Teknisk**

**support och e-garanticertifikat [www.vevor.se/  
support](http://www.vevor.se/support)**

Detta är den ursprungliga instruktionen, läs alla instruktioner noggrant innan du använder den. VEVOR reserverar sig för en tydlig tolkning av vår användarmanual. Utseendet på produkten är beroende av den produkt du fått. Ursäkta oss att vi inte kommer att informera dig igen om det finns någon teknik eller mjukvaruuppdateringar på vår produkt.

	Varning - För att minska risken för skada måste användaren läsa bruksanvisningen noggrant.
  	Bär alltid ANSI godkända skyddsglasögon när du arbetar med verktyg och utrustning. Använd ögonskydd. Använd hörselskydd. Använd skyddshandskar.
 	Compliance är en säkerhetscertifiering från EG och Storbritannien.
	<b>KORREKT AVFALLSHANTERING</b> Denna produkt omfattas av bestämmelserna i det europeiska direktivet 2012/19/EG. Symbolen som visar en soptunna korsad genom indikerar att produkten kräver separat avfall insamling i Europeiska unionen. Detta gäller produkten och alla tillbehör märkta med denna symbol. Produkter märkt som sådan får inte kasseras med normala hushållsapparater avfall, men måste lämnas till en samlingsplats för återvinning elektriska och elektroniska apparater

## Säkerhetsvarningar och försiktighetsåtgärder

Tack för att du använder den här produkten. För att vara säker på att du kan använda maskinen på rätt sätt, läs denna instruktion noggrant innan drift och förvara den på rätt sätt för framtida referens. Se till att läsa försiktighetsåtgärderna och säkerhetsreglerna på denna sida för att säkerställa din säkra användning. Detta manualen kommer att beskriva säkerhetsvarningar och försiktighetsåtgärder, drift, underhåll och rengöring. Varningarna och instruktionerna som granskas i denna manualen kan inte täcka alla möjliga förhållanden och situationer som kan uppstå. Försiktighet och sunt förnuft är inte inbyggt i denna produkt, eftersom vi tror att användningarna kommer att följa dessa koder.

# Läs ALLA instruktioner innan du använder din maskin.

- 1. Håll arbetsområdet rent.** Belamrade områden leder till skador.
- 2. Observera arbetsområdets förhållanden.** Använd inte maskiner eller elverktyg i fuktiga eller våta platser. Utsätt inte för regn. Håll arbetsområdet väl upplyst. Använd inte elektriskt drivna verktyg i närvaro av brandfarliga gaser eller vätskor.
- 3. Håll barn borta.** Barn får aldrig vistas i arbetsområdet. Låt dem inte hantera maskiner, verktyg eller förlängningssladdar.
- 4. Förvara inaktiv utrustning.** När verktygen inte används måste de förvaras torrt plats för att förhindra rost. Läs alltid verktyg och förvara utom räckhåll barn.
- 5. Använd rätt verktyg för jobbet.** Försök inte att tvinga ett litet verktyg eller fäste för att utföra arbetet med ett större industriverktyg. Det finns vissa applikationer som detta verktyg är designat för. Det kommer att göra jobbet bättre och säkrare i den takt den var avsedd för. Ändra inte detta verktyg och använd inte detta verktyg för ett ändamål som det inte var avsett för.
- 6. Klä dig ordentligt.** Bär inte löst sittande kläder eller smycken som de kan vara fast i rörliga delar.  
Skyddande, elektriskt icke-ledande kläder och halkfria skor är rekommenderas när du arbetar. Bär restriktivt hårskydd för att innehålla långt hår
- 7. Använd ögon- och hörselskydd.** Bär alltid ANSI-godkänd slagsäkerhet glasögon. Bär en hel ansiktsskärm om du producerar metallspån eller trä  
pommes frites.
- 8. Räck inte för mycket.** Håll alltid rätt fotfäste och balans. Låt bli nå över eller över löpande maskiner.
- 9. Underhåll verktygen med omsorg.** Håll verktyg vassa och rena för bättre och säkrare prestanda. Följ instruktionerna för smörjning och byte Tillbehör. Inspektera verktygssladdar regelbundet och ha dem om de är skadade repareras av en auktoriserad tekniker. Handtagen ska alltid hållas rena, torra och fria från olja och fett. Stäng av och dra ur kontakten före underhåll och rengöring.
- 10. Undvik oavsiktlig start.** Se till att strömbrytaren är i läge Av när den inte används och innan den ansluts.



11. **Var uppmärksam.** Se upp vad du gör, använd sunt förnuft. Låt bli använda vilket verktyg som helst när du är trött.

12. **Kontrollera om det finns skadade delar.** Innan du använder något verktyg, någon del som verkar skadad bör kontrolleras noggrant för att fastställa att det kommer att göra det fungerar korrekt och utför sin avsedda funktion. Kontrollera för inriktning och bindning av rörliga delar; eventuella trasiga delar eller monteringsfixturer; och andra tillstånd som kan påverka korrekt funktion. Vilken del som helst skadade ska repareras på rätt sätt eller bytas ut av en kvalificerad tekniker. Använd inte verktyget om någon strömbrytare inte slås på och av ordentligt.

13. **Skydda mot elektriska stötar.** Förhindra kroppskontakt med jordad ytor som rör, radiatorer, spisar och kylskåpskåp.

14. **Reservdelar och tillbehör.** Använd endast vid service identiska reservdelar. Användning av andra delar upphäver garantin. Använd endast tillbehör som är avsedda att användas med verktyg.

15. **Använd inte verktyget om du är påverkad av alkohol eller droger.** Läs varningsetiketter på recept för att avgöra om ditt omdöme eller reflexer försämras när du tar droger. Om det finns några tvivel, gör det inte använda verktyget.

16. **Underhåll.** För din säkerhet bör underhåll utföras regelbundet av en kvalificerad tekniker.

17. Använd aldrig maskinen i närheten av brandfarliga material.

18. Sänk **INTE** ner apparaten i vatten eller någon annan vätska.

19. Denna produkt kan inte användas för andra ändamål. Inte lämplig för kommersiell användning. **ENDAST ANVÄNDNING INOMHUS.**

20. Använd inte alkohol, bensin etc. som kylvätska.

21. **Håll åskådare på säkert avstånd från arbetsområdet. Någon kommer in på arbetsområdet måste bära personlig skyddsutrustning.**

Fragment av arbetsstycke eller av ett trasigt tillbehör kan flyga iväg och orsaka skada utanför det omedelbara operationsområdet.

22. **Operationer som elverktyget inte är konstruerat för kan skapa en fara och orsaka personskador.**

23. **Använd inte tillbehör som inte är specifikt utformade och rekommenderas av verktygstillverkaren.** Bara för att tillbehöret kan fästas på ditt elverktyg, det garanterar inte säker drift.

24. **Tillbehörets nominella hastighet måste vara minst lika med maximal hastighet markerad i bruksanvisningen.** Tillbehör går snabbare än deras nominella hastighet kan gå sönder och flyga isär.


25. Denna apparat är inte avsedd att användas av unga eller handikappade personer såvida de inte övervakas av en ansvarig person för att säkerställa att de kan använda apparaten säkert. Små barn bör övervakas för att säkerställa att de lek inte med apparaten. Barn och husdjur bör hålla sig borta från produkten.

26. Använd inte denna enhet för andra ändamål än den angivna användningen.

27. Använd den inte utomhus eller för kommersiella ändamål. 29. GÖR INTE RENGÖRA DEN MED NÅGOT SLIPPANDE MATERIAL.

28. Lämna den aldrig utan uppsikt när den används.

**Obs: Det här verktygets prestanda (om det drivs av nätspänning) kan variera beroende på variationer i lokal nätspänning. Användning av förlängningssladd kan också påverka verktygets prestanda.**

 **Varning: Varningarna, varningarna och instruktionerna som diskuteras i denna instruktion som diskuteras i denna bruksanvisning kan inte täcka alla möjliga förhållanden och situationer som kan uppstå. Den måste vara operatören förstår att sunt förnuft och försiktighet är det faktorer som inte kan byggas in i denna produkt, men som måste tillhandahållas av verktygets operatör.**

29. Om slipskivan lossnar, stäng omedelbart av maskinen och kontrollera att den är ordentligt monterad och att den inte är skadad.

30. Försök aldrig stoppa slipskivan med händerna, även om du är det bär skyddshandskar. Hjulet skär genom handskar och din hand, vilket orsakar allvarliga skador. Använd aldrig verktyget utan **slipskivan Locket** på plats.

31. Om nätsladden är skadad måste den bytas ut mot en speciell sladd eller montering tillgänglig från tillverkaren eller dess serviceombud.

## **SPARA DESSA INSTRUKTIONER**

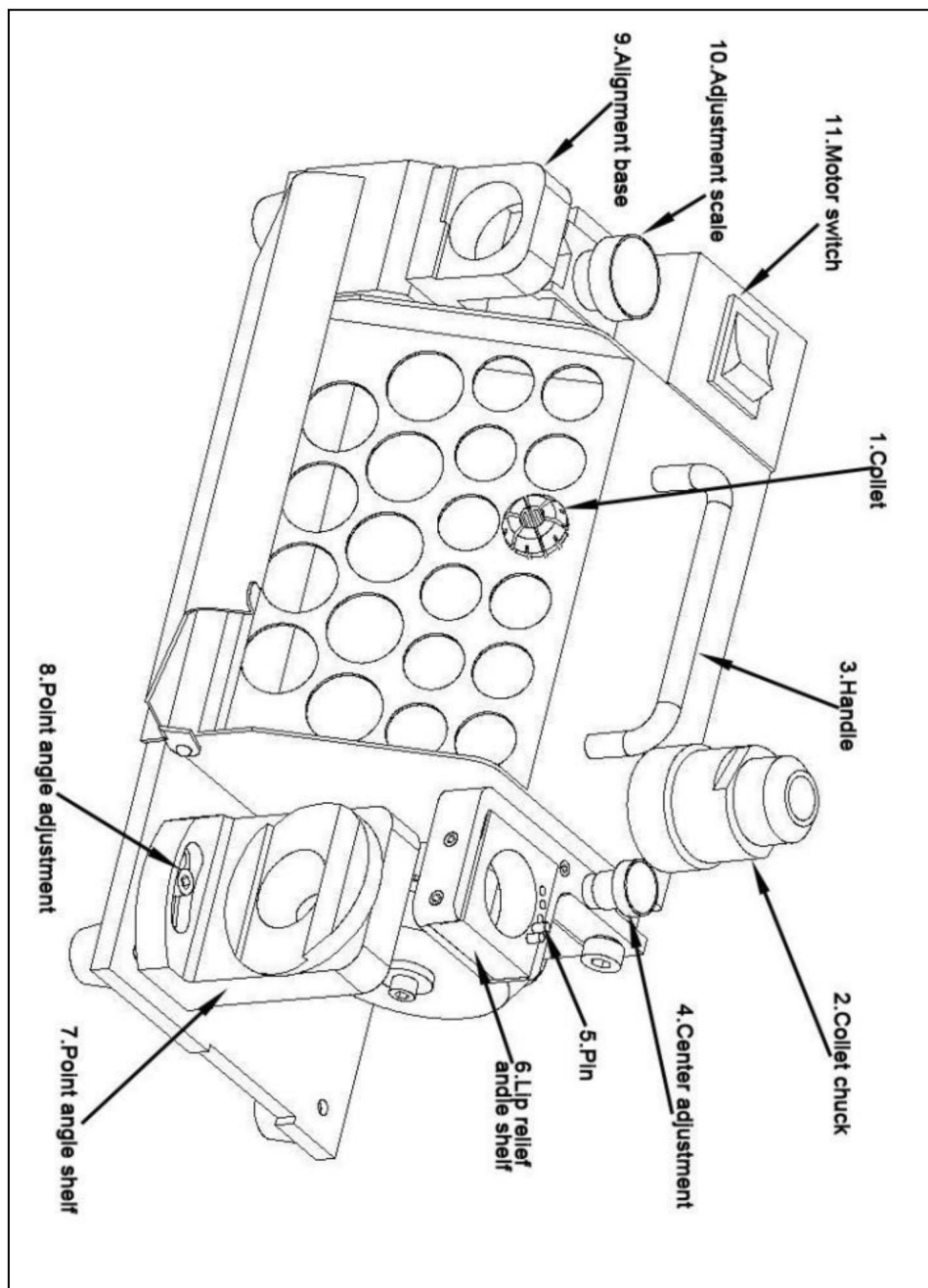
## HUVUDSAKLIGA ANVÄNDNINGSSOMRÅDE OCH EGENSKAPER

1. Slipning är exakt och snabb, enkel användning utan färdighet att slipa.
2. Ekonomiskt pris som kraftigt minskar kostnaden och förbättrar användningseffekten.
3. Med diamantslipskiva kan den utrustas direkt med en exakt vinkel och lång livslängd.
4. Den elektriskt styrda och kraftfulla DC-motorn: stabil frekvens, starka hästkrafter och lång livslängd.
5. Maskinen är inställd med funktionen att justera en punktstorlek (central punkt), som effektivt kan koordinera med materialet i borrhålet och rotationshastigheten. Det kan kontrollera kvalitetsprecisionen och förlänga borrhålets livslängd.

## PRODUKTPARAMETRAR

MODELL	Spänning	Motor Kraft	SLIPNING RÄCKVIDD	PUNKT VINKEL	RAMEN G HJUL
MR-20G	Nordamerika: AC120V 60Hz	120W	ÿ3~ÿ 20 mm	95°~ 135°	CBN (för HSS)×1 SD (för Karbid)×1
	Europeiska Union: AC220-240V 50 Hz				CBN (för HSS)×1 SD (för Karbid)×1

DELAR: ER20 spännhylsor: ÿ3-ÿ13ÿ11stÿ, ER25 spännhylsor: ÿ14-ÿ20ÿ7stÿ spännhylsa (ER20) ×1  
Spännhylsa chunk (ER25)×1 Elektrisk tråd×1 2 st  
sexkantnyckel

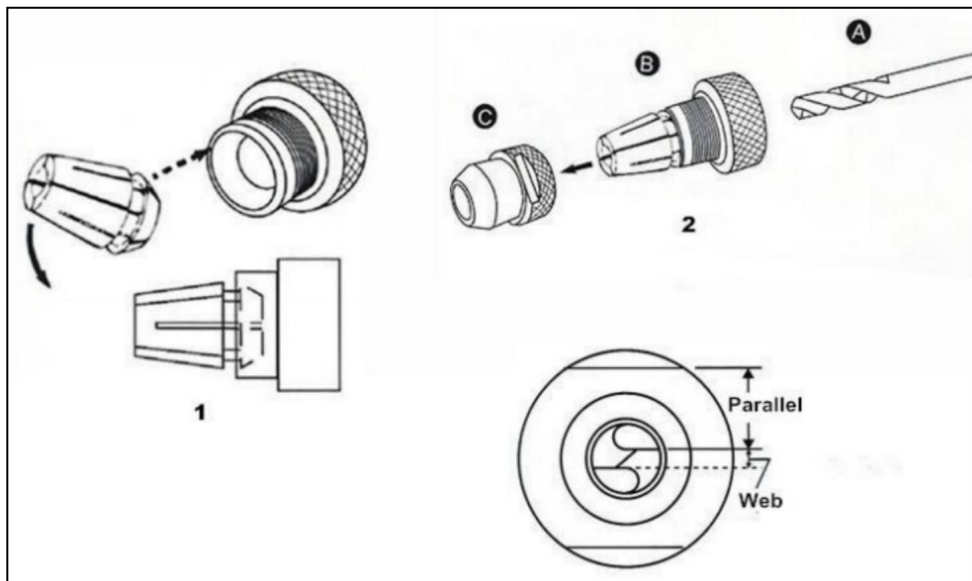


# OPERATIONER

## A. Montera borrhkronan på ER-hylschucken.

\*Följ steg 1,2 för att sätta upp borrhkronan till chucken (utan åtdragning)

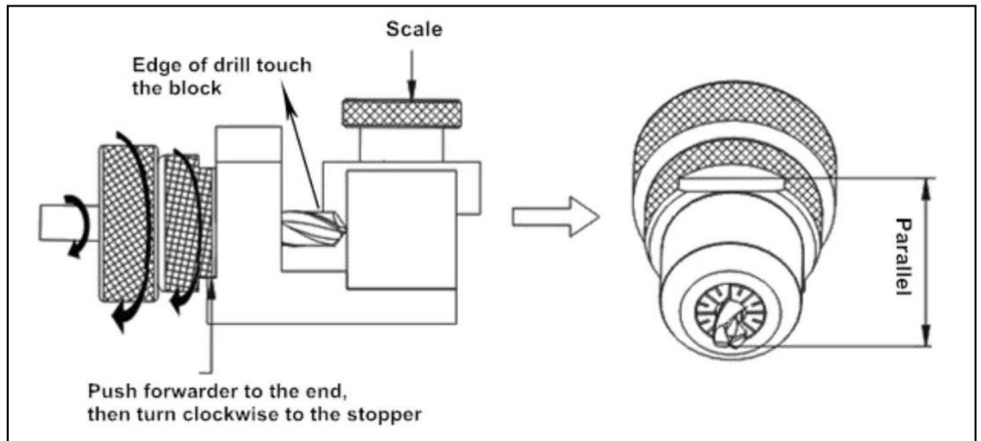
1. Bestäm diametern på din borrh och välj sedan rätt spännhylsa och hylsa chuck.
2. Sätt in spännhylsan i spännhylschucken med 45° vinkel och dra åt muttern något.
3. Sätt i borrhkronan i spännhylsan och muttrar ut 35 mm eller så från spännhylsan chuck, men dra inte åt borren för hårt. Fäst inte spännmuttern helt med spännchucken, behåll borrh kan justeras.



## B. Rikta in borrhkronan

1. Återställ skalringen: vrid ringen hela vägen medurs och vrid den sedan moturs till samma nummer som borrens storlek.
2. Sätt in chucksatsen i banjusteringshyllan. Anslut den sedan ordentligt. Vrid den medurs till slutet.

3. Sätt i borren till slutet och vrid den medurs till slutet.
4. Vrid chucksatsen medurs till slutet och dra åt den.
5. Vrid chucksatsen lite moturs och ta ut den försiktigt. Se till att borrens skärkant är parallell med spännskåran i mutter innan slipjobbet påbörjades. Om den inte är parallell, justera den igen.



Observera: Om skärkanten är nedåt, måste banans skala ökas i justeringshylla. Om den är uppåt, vänligen minska skalan på nätet i justeringshylla.

När räfflörängden på en borrar blir kortare blir en borrar bantjocklek skulle bli tjockare. Så, för samma diameter av borrar, desto kortare längden på en borrar, desto högre skala på banjusteringshyllan måste vara ökade.

### C. Slipa spetsvinkeln

Slå på strömbrytaren och vänta tills motorns rotation är stabil (ca 10 sekunder), sätt in chucksatsen i spetsvinkelsliphyllan.

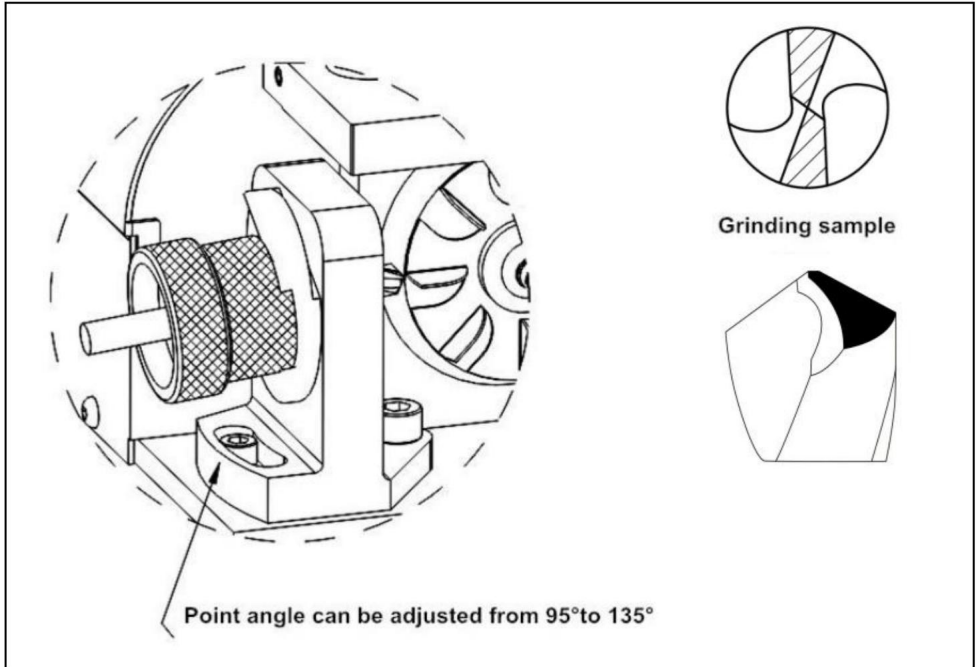
Spännmutterns spår måste passa med de två stiften på sliphyllan.

Sätt försiktigt in borren i sliphyllan tills du når slipskivan.

Slipa borren genom att flytta åt vänster och höger tills slipljudet försvinner.

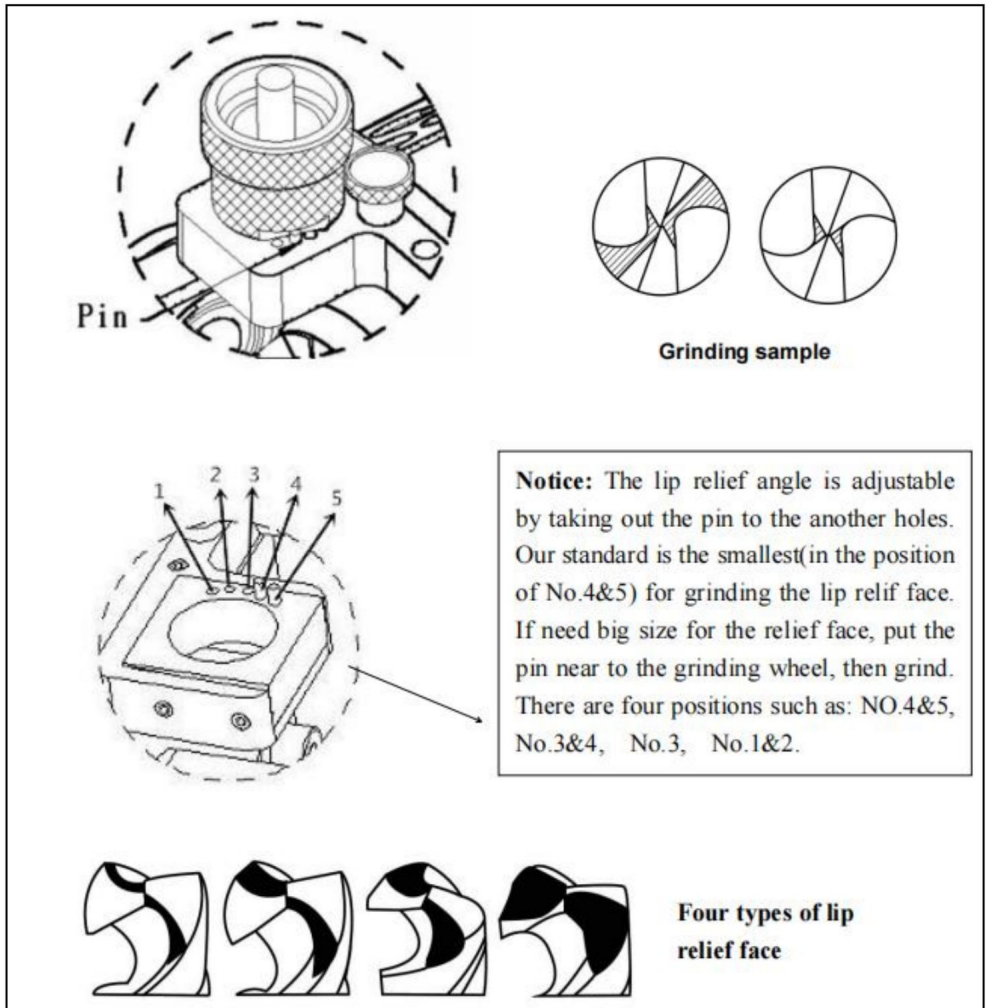
Och vänd sedan till andra sidan, gör samma sak för att slipa borren.

- \* Slipstorleken på borren är 2mm-13mm (15mm)
- \* Borrens spetsvinkel är från 95° till 135°.
- \* Håll inte i borrstängan medan du slipar, det kommer att påverka noggrannheten.



#### **D. Slipa läppavlastningsvinkeln**

Sätt chucksatsen i spetsklyvhyllan. Spännmutterns spår måste passa med stiftet på sliphyllan. Sätt försiktigt in borren i sliphyllan tills du når slipskivan. Slipa borren genom att flytta åt vänster och höger tills det malande ljudet försvinner. Vänd tillbaka till mitten av stiftet och ta ut, vänd sedan till andra sidan, gör samma sak för att slipa borren.



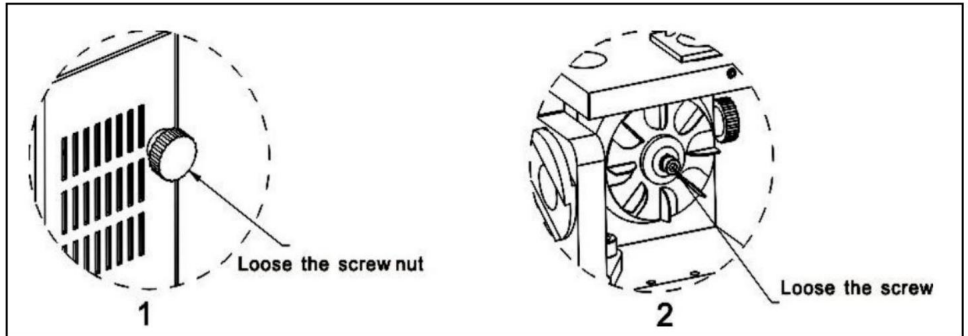
## RENGÖRING OCH UNDERHÅLL

Rengör hela enheten med en blåspistol, speciellt hålen före och efter användning.



# BYTE AV HJUL

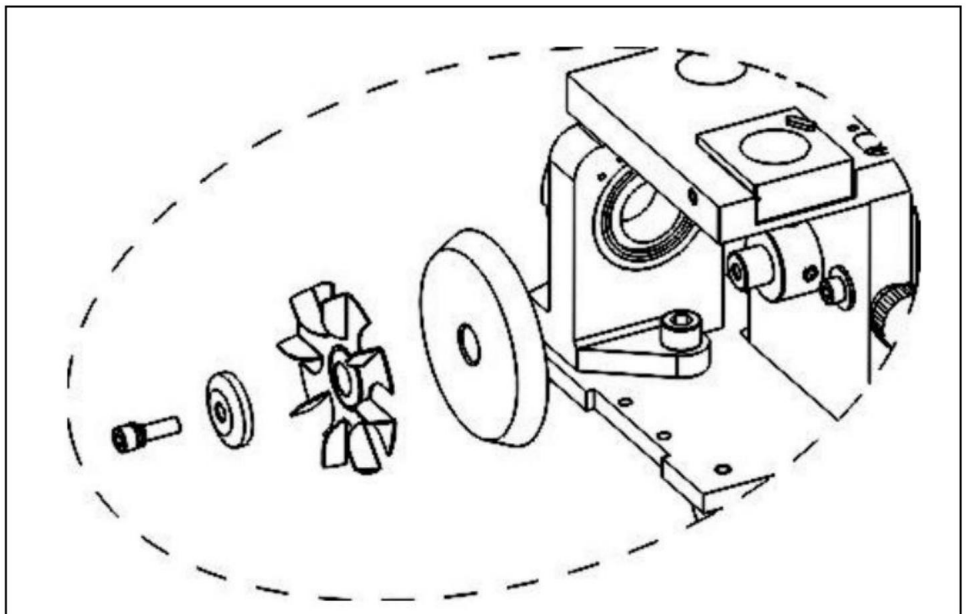
## A. Öppna hjulkåpan



1. Se till att det är säkert att nätsladden är urkopplad 2.

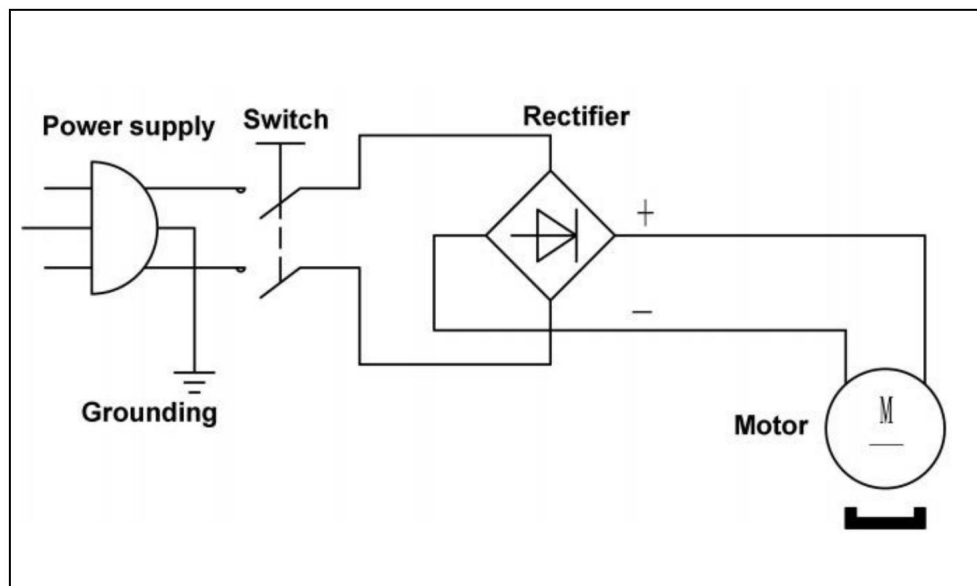
Använd sedan en 4 mm insexnyckel för att lossa skruven för att öppna locket.

## B. Ta ut slipskivan



1. Använd borsten för att rengöra maskinen, använd sedan en torr trasa för att rengöra yta.
2. Om du bara använder maskinen, vänta 3 minuter efter slipningen temperaturen faller.
3. Använd vänster hand för att hålla hjulet, använd sedan 4 mm insexnyckeln till lossa skruven moturs med höger hand.
4. Ta ut diamantslipskivan på maskinen.
5. Byt ut den nya slipskivan.
6. Sätt in hjulet i motorns huvudaxel och dra åt skruven och hjulskyddet för att slutföra.

Observera: motorns huvudaxel är mycket exakt, om fel arbete kan leda till skadan, vilket påverkar slipskivans position.



Adress: Baoshanqu Shuangchenglu 803long 11hao 1602A-1609shi  
Shanghai

**Importerad till USA:** Sanven Technology Ltd. Suite 250, 9166 Anaheim  
Place, Rancho Cucamonga, CA 91730



Pooledas Group Ltd  
Enhet 5 Albert Edward House, The Pavilions  
Preston, Storbritannien



SHUNSHUN GmbH  
Römeräcker 9 Z2021, 76351  
Linkenheim-Hochstetten, Tyskland

**Tillverkad i Kina**

**VEVOR<sup>®</sup>**

**TOUGH TOOLS, HALF PRICE**

**Teknisk support och e-garanticertifikat [www.vevor.se/support](http://www.vevor.se/support)**