

# **VEVOR<sup>®</sup>**

**TOUGH TOOLS, HALF PRICE**

Technical Support and E-Warranty Certificate [www.vevor.com/support](http://www.vevor.com/support)

## **SHOWER NICHE**

**MODEL:**

**BA-303010-BR/BA2-306010-MB**

We continue to be committed to provide you tools with competitive price.

"Save Half", "Half Price" or any other similar expressions used by us only represents an estimate of savings you might benefit from buying certain tools with us compared to the major top brands and does not necessarily mean to cover all categories of tools offered by us. You are kindly reminded to verify carefully when you are placing an order with us if you are actually saving half in comparison with the top major brands.

# VEVOR®

TOUGH TOOLS, HALF PRICE

MODEL:BA-303010-BR/BA2-306010-MB



## NEED HELP? CONTACT US!

Have product questions? Need technical support? Please feel free to contact us:

**Technical Support and E-Warranty Certificate**  
**[www.vevor.com/support](http://www.vevor.com/support)**

This is the original instruction, please read all manual instructions carefully before operating. VEVOR reserves a clear interpretation of our user manual. The appearance of the product shall be subject to the product you received. Please forgive us that we won't inform you again if there are any technology or software updates on our product.

 **WARNING:**

Please read this manual carefully before using the product. Failure to do so may result in serious injury.

**WARNING:**

Read this material before using this product. Failure to do so can result in serious injury.

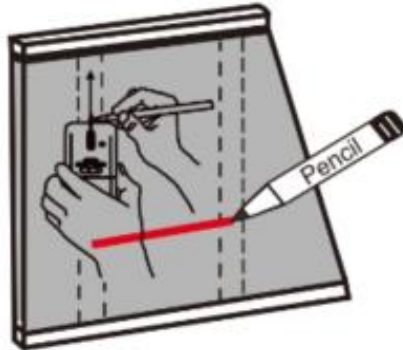
Assembly precautions

1. Assemble only according to these instructions. Improper assembly can create hazards.
2. Wear ANSI-approved safety goggles and heavy-duty work gloves during assembly.
3. Keep assembly area clean and well lit.
4. Keep bystanders out of the area during assembly.
5. Do not assemble when tired or when under the influence of alcohol, drugs or medication.
6. Weight capacity and other product capabilities apply to properly and completely assembled product only.
7. For additional information regarding the parts listed in the following pages, please refer to the Assembly Diagram of this manual. Unwrap and separate all parts in a clean work area.

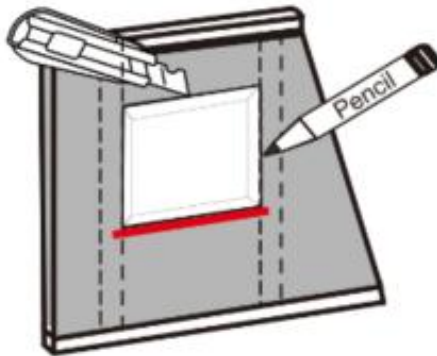
**SAVE THIS MANUAL**

**The following installation details are applicable for existing wall before tiling , do not cover every possible situation Always consult with licenced professional during preparation and installation.**

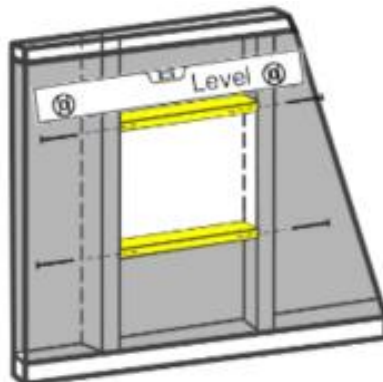
1. Locate and mark the center lines of adjacent framing studs using a stud finder or by tapping the wall . Draw level line between the two wall studs at your desired height of niche.



2. Trace the cut line with pencil, above the center line , cut out a cave on the wall board along the traced line . Be sure the top and bottom lines are level.



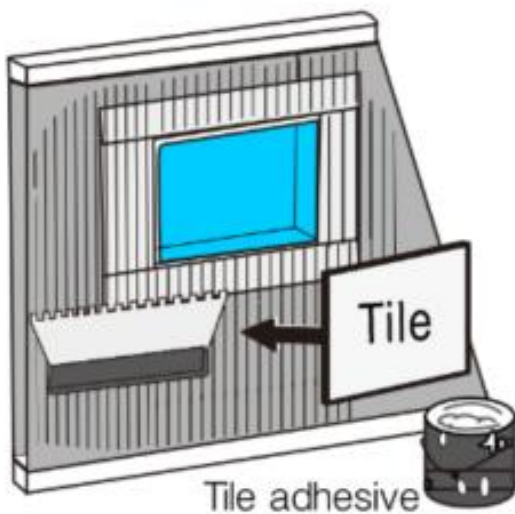
3. Level and fasten the surrounding framing to adjacent vertical studs make the dimension matches the niche flange.



4. Glue waterproofing membrane inside to seal the whole cave and extend 6inch to four sides of surrounding wall. **Create watertight seal cave is very important.**

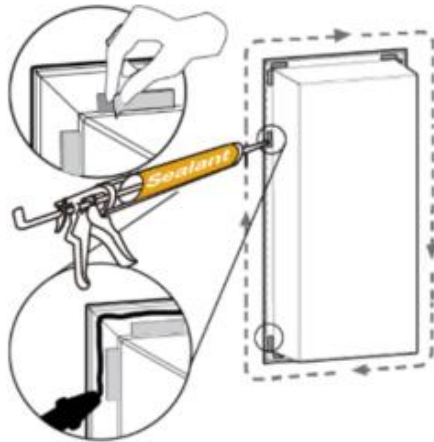


5. Apply your setting material and set your tile, marble or stone directly to shower wall. It is best for tile to be symmetric around the cave. The tile line can end right on the niche for a very clean look.



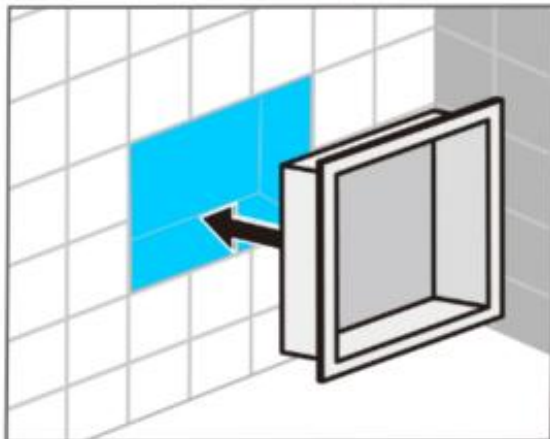
6. Remove the protective film of the tape , apply a uninterrupted bead of silicon sealant from the inside corner of the niche to the edge Ensure

sealant applied thickness.

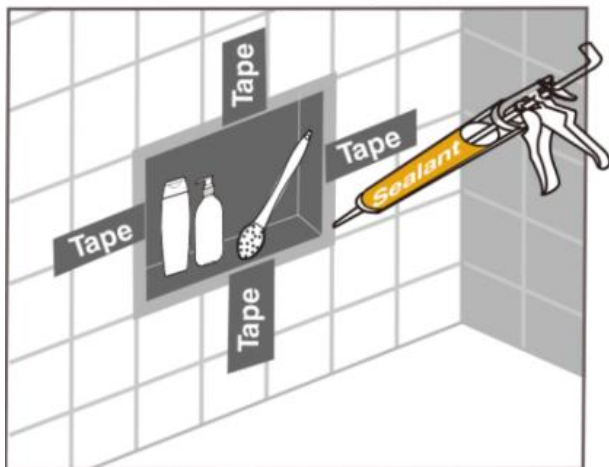


7. Insert the niche fixture into the cave . Press the flange tightly and ensure the niche plumb and level . Wipe off the excess sealant along the perimeter edges.

8.



8. Tape the flanges with wall to hold the niche in place until the sealant cured.



Model	BA-303010-BR	BA2-306010-MB
Product Size (inch)	4*13*13	4*13*25

**Manufacturer:** Shanghaimuxinmuyeyouxiangongsi

**Address:** Shuangchenglu 803nong11hao1602A-1609shi, baoshanqu, shanghai 200000 CN.

**Imported to AUS:** SIHAO PTY LTD. 1 ROKEVA STREET EASTWOOD NSW 2122 Australia

**Imported to USA:** Sanven Technology Ltd. Suite 250, 9166 Anaheim Place, Rancho Cucamonga, CA 91730

<b>UK</b>	<b>REP</b>
-----------	------------

YH CONSULTING LIMITED. C/O YH Consulting Limited Office 147, Centurion House, London Road, Staines-upon-Thames, Surrey, TW18 4AX

<b>EC</b>	<b>REP</b>
-----------	------------

E-CrossStu GmbH  
Mainzer Landstr.69,  
60329 Frankfurt am Main.

**VEVOR<sup>®</sup>**

**TOUGH TOOLS, HALF PRICE**

**Technical Support and E-Warranty Certificate**

**[www.vevor.com/support](http://www.vevor.com/support)**