

VEVOR[®]

TOUGH TOOLS, HALF PRICE

Technical Support and E-Warranty Certificate www.vevor.com/support

PET GROOMING TABLE

MODEL:GT-101H

We continue to be committed to provide you tools with competitive price.

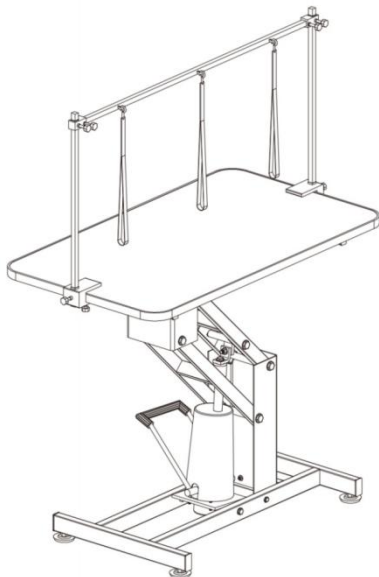
"Save Half", "Half Price" or any other similar expressions used by us only represents an estimate of savings you might benefit from buying certain tools with us compared to the major top brands and does not necessarily mean to cover all categories of tools offered by us. You are kindly reminded to verify carefully when you are placing an order with us if you are actually saving half in comparison with the top major brands.

VEVOR®

TOUGH TOOLS, HALF PRICE

PET GROOMING TABLE

MODEL:GT-101H



NEED HELP? CONTACT US!

Have product questions? Need technical support? Please feel free to contact us:

Technical Support and E-Warranty Certificate
www.vevor.com/support

This is the original instruction, please read all manual instructions carefully before operating. VEVOR reserves a clear interpretation of our user manual. The appearance of the product shall be subject to the product you received. Please forgive us that we won't inform you again if there are any technology or software updates on our product.



Warning-To reduce the risk of injury, user must read instructions manual carefully.

WARNING:

Read this material before using this product. Failure to do so can result in serious injury.

Assembly precautions

- 1.Assemble only according to these instructions. Improper assembly can create hazards.
2. Wear duty work gloves during assembly.
- 3.Keep assembly area clean and well lit.
- 4.Keep bystanders out of the area during assembly.
- 5.Do not assemble when tired or when under the influence of alcohol, drugs or medication.
- 6.Product capabilities apply to properly and completely assembled product only.
- 7.Assemble on a flat, level, hard and smooth surface capable of safely supporting a fully loaded feeder.
8. For additional information regarding the parts listed in the following pages, please refer to the Assembly Diagram of this manual. Unwrap and separate all parts in a clean work area.

Use precautions





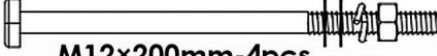
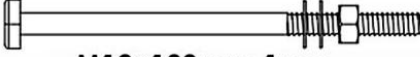

TO PREVENT SERIOUS INJURY AND DEATH FROM TIPPING:

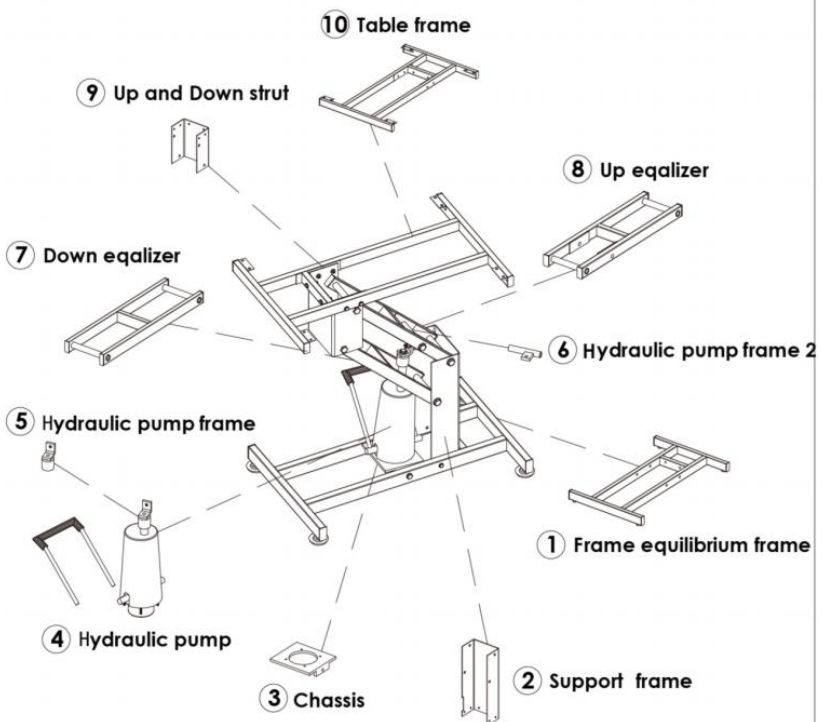
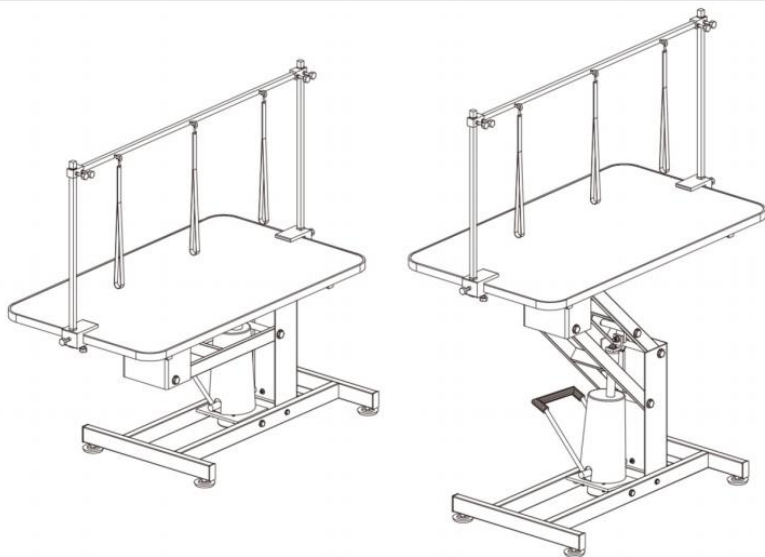
1. DO NOT SIT, STAND OR CLIMB ON THIS ITEM.
2. This product is not a toy nor a toy chest. Do not allow children to play with this item. Use as intended only and Need to supervise the children to understand step & open rules of feeder finally .
3. Empty, close, and lock feeder before moving.
4. Use only on a flat, level, hard and smooth surface capable of safely supporting a fully loaded feeder.

SAVE THESE INSTRUCTIONS

Model	GT-101H
Table Size(inch/mm)	42.5*24/ 1416.7*609.6
Height Adjustment Range(inch/mm)	22.13-39.68 / 562-1008
Dynamic Load (lbs / kg)	220 / 99.8
Static Load (lbs / kg)	400 / 181.4

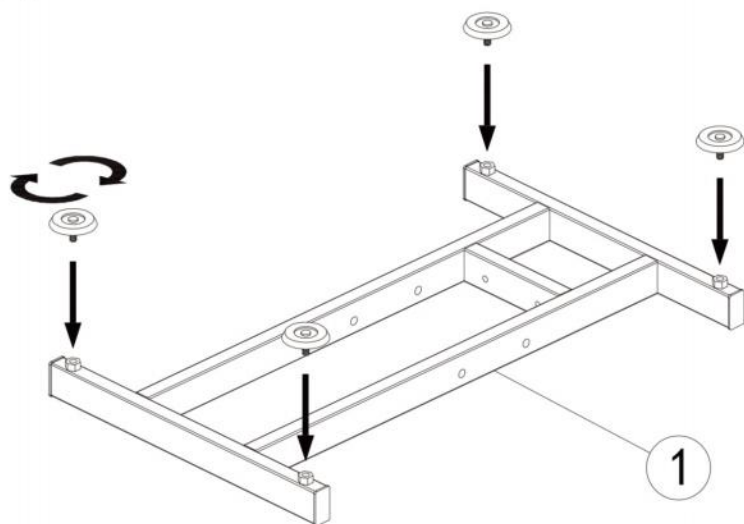
Product Introduction

 M8×40mm-4pcs _____ B
 M10×60mm-2pcs _____ C
 M10×35mm-1pcs _____ D
 M8×30mm-1pcs _____ E
 _____ F M12×200mm-4pcs
 _____ G M12×180mm-1pcs
 M8×35mm-6pcs _____ I

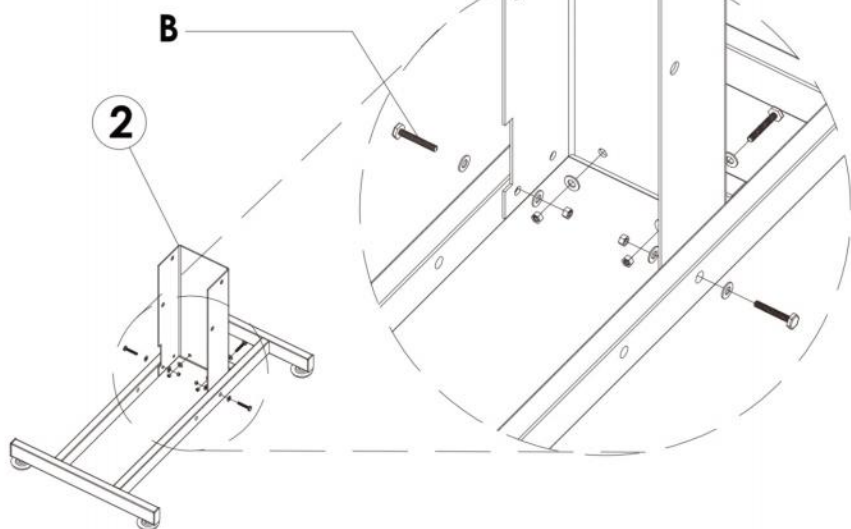


Product Installation

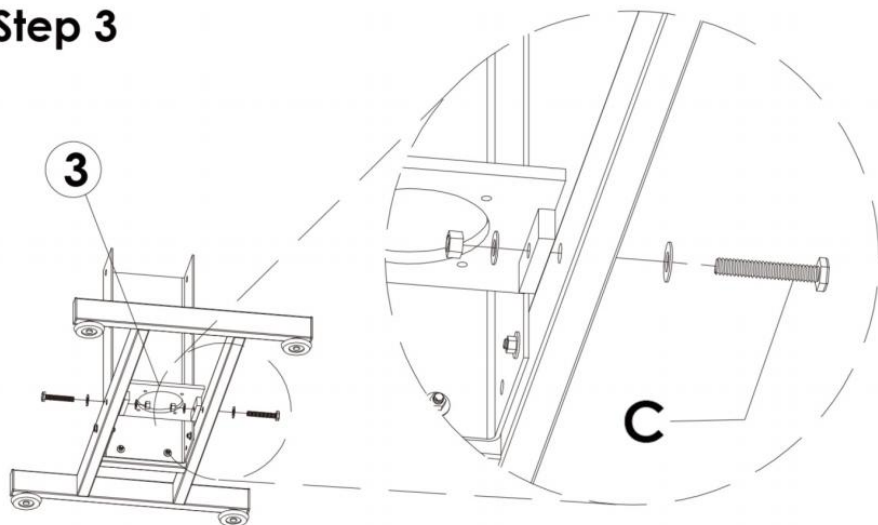
Step 1



Step 2

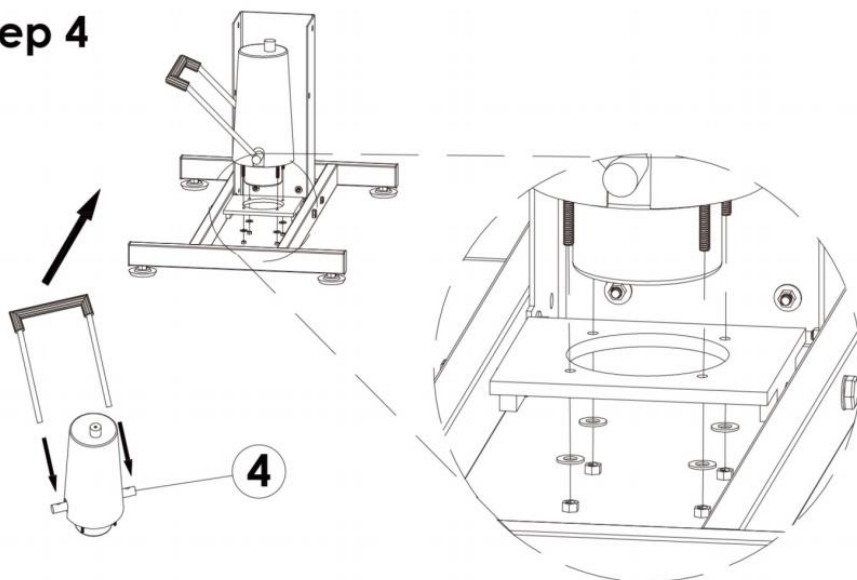


Step 3



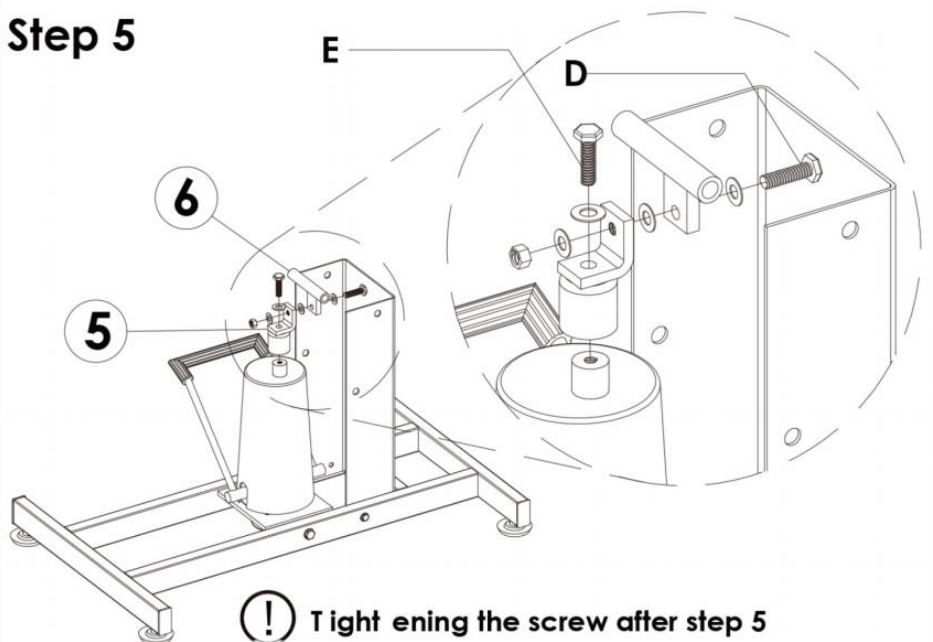
! Do not twist the screw so tight, or it cannot be turned

Step 4



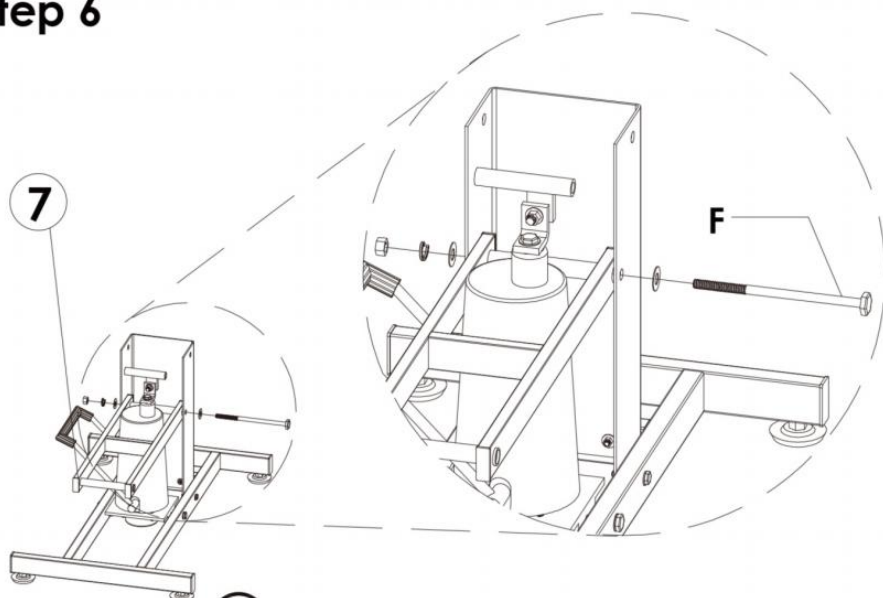
Please remove the foam wrapped on the hydraulic pump before installation

Step 5



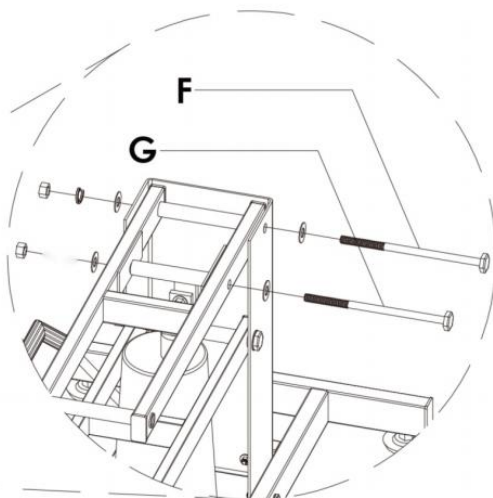
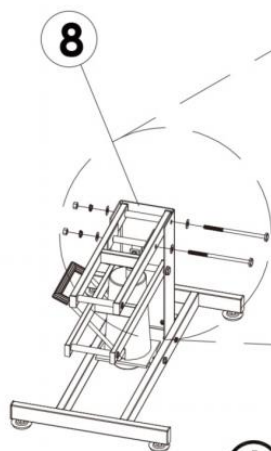
! Tightening the screw after step 5

Step 6



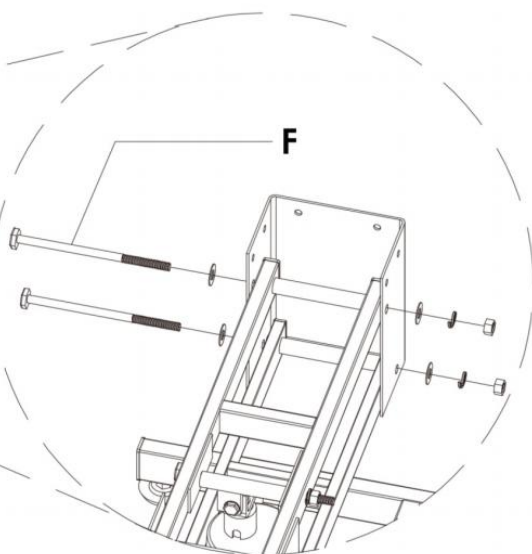
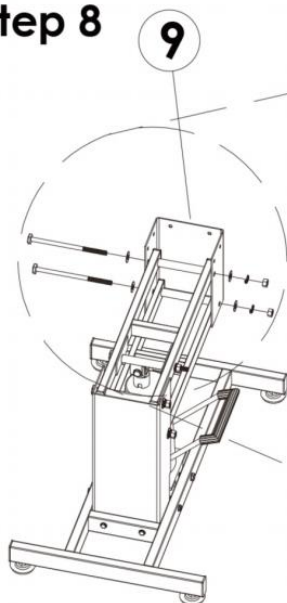
! Tightening the screw after step 6

Step 7

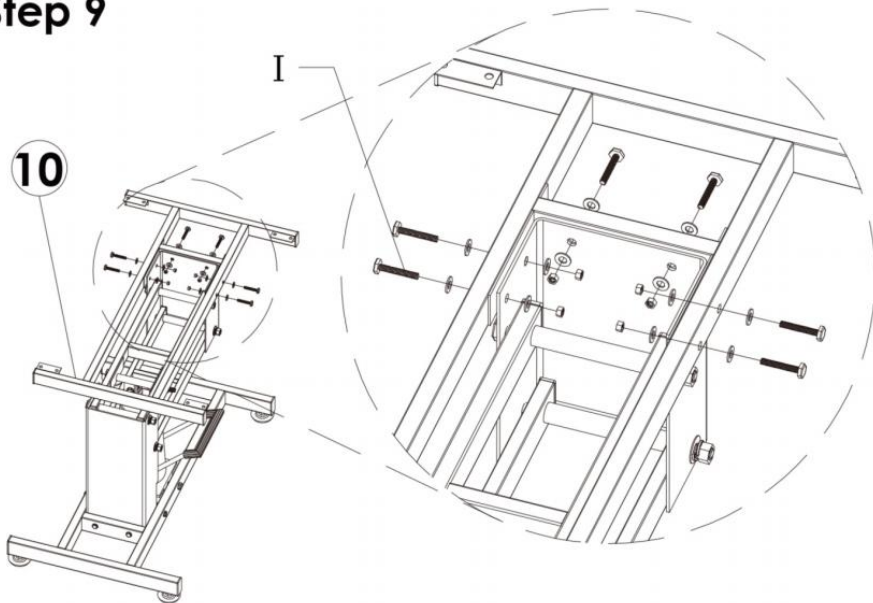


! Tight ening the screw after step 7

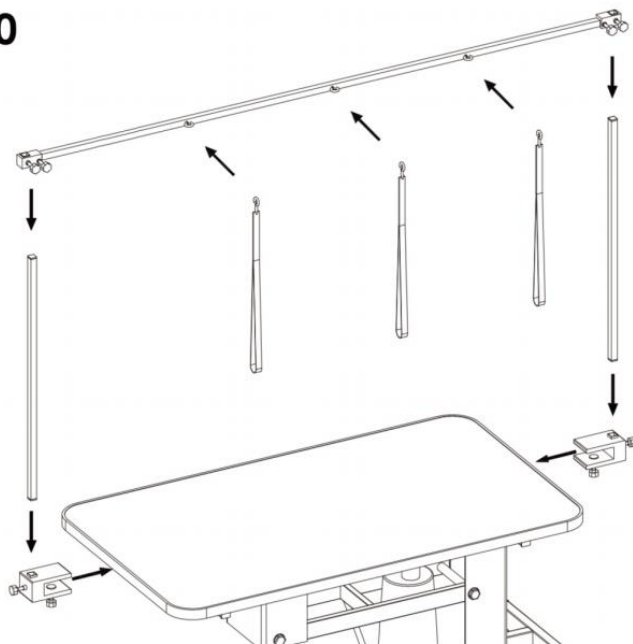
Step 8



Step 9



Step 10



Manufacturer: Shanghaimuxinmuyeyouxiangongsi

Address: Shuangchenglu 803nong11hao1602A-1609shi, baoshanqu, shanghai 200000 CN.

Imported to AUS: SIHAO PTY LTD. 1 ROKEVA STREETEASTWOOD NSW 2122 Australia

Imported to USA: Sanven Technology Ltd. Suite 250, 9166 Anaheim Place, Rancho Cucamonga, CA 91730

EC	REP
-----------	------------

E-CrossStu GmbH
Mainzer Landstr.69, 60329 Frankfurt am Main.

UK	REP
-----------	------------

YH CONSULTING LIMITED.
C/O YH Consulting Limited Office 147, Centurion House, London Road, Staines-upon-Thames, Surrey, TW18 4AX

VEVOR[®]

TOUGH TOOLS, HALF PRICE

Technical Support and E-Warranty Certificate

www.vevor.com/support