

# **VEVOR**

**Affordable. Reliable. Home Improvement.**

## **PORTABLE BASKETBALL STAND**

**MODEL:X031-26ZL**

# VEVOR

Affordable. Reliable. Home Improvement.

## PORTABLE BASKETBALL STAND

MODEL:X031-26ZL



**WARNING:**  
IMPROPER INSTALLATION  
OR SWINGING ON THE RING  
MAY CAUSE SERIOUS INJURY  
OR DEATH

This is the original instruction, please read all manual instructions carefully before operating. VEVOR reserves a clear interpretation of our user manual. The appearance of the product shall be subject to the product you received. Please forgive us that we won't inform you again if there are any technology or software updates on our product.



Warning-To reduce the risk of injury, user must read instructions manual carefully.

## INSTRUCTIONS

Thank you very much for choosing this Portable basketball stand. Please read all of the instructions before using it. The information will help you achieve the best possible results.

### **WARNING:**

Please read this manual carefully before using the product. Failure to do so may result in serious injury.

### **ASSEMBLY PRECAUTIONS**

- 1.Assemble needs to follow these instructions. Incorrect assembly can be a hazard.
- 2.Wear safety goggles and heavy-duty work gloves during assembly.
- 3.Do not assemble when tired or under the influence of alcohol,drugs or medication.
- 4.Weight capacity and other product capabilities only apply to a wholly and correctly assembled product.
- 5.Keep the assembly area clean and well-lit.
- 6.Keep bystanders out of the area during assembly.
- 7.Assembly should be done by adults only.
- 8.**WARNING:**This product contains small parts. If swallowed,it will pose a choking hazard. Keep these small parts away from children when assembling!

**Notice to assemblers:**

All the basketball systems, including those used for displays, must be assembled and ballasted according to instructions. Failure to follow instructions could result in serious injury.

Please read all warnings and cautions before assembly. It is recommended to supervise children as they play with this product. This product is to be assembled by 2 adults only!

We appreciate your purchasing one of our many fine products. We are assured that you will be very satisfied with your selection.

## USE PRECAUTIONS

**WARNING:****TO PREVENT SERIOUS INJURY AND DEATH FROM TIPPING:**

1. Use as intended only. Do not sit or stand on the product.
2. Inspect before every use. Do not use it if parts are loose or damaged.
3. If any parts are missing, broken, damaged, or worn, stop using this item until repairs are made and factory replacement parts are installed.

**WARNING:**


**For your safety, please do not dunk or hang from the basketball hoop.**

## SAVE THESE INSTRUCTIONS


# ASSEMBLY

## ① NOTICE

- Please read all instructions before attempting to install or assemble this item. Assembly should be done by adults only.
- Reconfirm that all bolts, screws, and knobs are secure before each use.
- This product is intended for outdoor use.
- If any parts are missing, broken, damaged, or worn, stop using this item until repairs are made and/or factory replacement parts are installed.



## SAFETY INSTRUCTIONS



FAILURE TO FOLLOW THESE SAFETY INSTRUCTIONS MAY RESULT IN SERIOUS INJURY OR PROPERTY DAMAGE AND WILL VOID WARRANTY.

To ensure safety, do not attempt to assemble this system without following the instructions carefully. Check entire box and inside all packing material for parts and/or additional instruction material. Before beginning assembly, read the instructions and identify parts using the hardware identifier and parts list in this document. Proper and complete assembly, use, and supervision are essential for proper operation and to reduce the risk of accident or injury. A high probability of serious injury exists if this system is not installed, maintained, and operated properly.

- If using a ladder during assembly, use extreme caution.
- 2 capable adults are recommended for this operation.
- Check base daily for leakage. Leaks will cause system to fall.
- Assemble the pole sections properly (if applicable). Failure to do so could cause the pole sections to separate during play or transport.
- The adjustable height from rim to floor is 1.15-2.1 m.

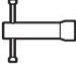
## WARNING

- Do not slide, climb, or play on base or pole.
- Completely fill base according to manufacturer's instructions or the item will tip quickly, causing serious personal injury.
- Do not allow children to move or adjust the item.
- Surface beneath the base must be smooth and free of gravel or other objects. Punctures can cause leakage and could cause the item to tip over.

- Check the pole and all metal parts for rust once a month. Completely remove rust and repaint with exterior enamel. If rust has penetrated any steel part, replace that part immediately.
- Check the item before every use for proper ballast, loose hardware, instability, and signs of corrosion, and repair before each use. Never play on damaged equipment.
- Do not climb on the base or structure in general, as this could result in serious injuries.
- Do not over tighten the hardware as this may damage the products structure.
- Adjustment and moving of the basketball set must be carried out by adults.
- Always place the base of the set on a flat surface.
- The set requires two people for assembly.
- Check the base regularly for any leakage before playing.


# HARDWARE

**AA** SLEEVES  
WRENCH




4PCS

**BB** M10 x140mm  
BOLT & NUT  
SET




2PCS

**CC** M10 x 140mm  
BOLT & NUT  
SET



2PCS

**DD** M10 x 140mm  
BOLT & NUT  
SET




2PCS

**A** M8x 120mm  
SPRING SCREW  
SET




2PCS

**B** M8x 50mm  
BOLT & NUT  
SET




2PCS

**C** M8x 20mm  
BOLT & NUT  
SET




2PCS

**D** M8 x16mm  
BOLT



2PCS

**E** M8 x90mm  
BOLT & NUT  
SET



2PCS

**F** M8 x50mm  
BOLT & NUT  
SET




1PC

**G** M10 x100mm  
BOLT & NUT  
SET




1PC

**H** M10 x 90 mm  
BOLT & NUT  
SET




2PCS

**I** M8x 90mm  
BOLT & NUT  
SET



1PC

**EE** SPRING



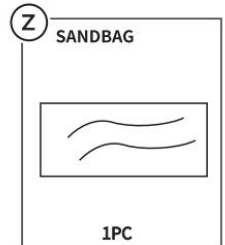
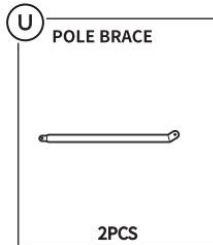
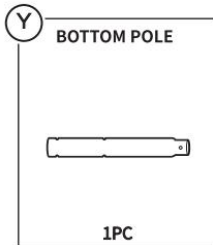
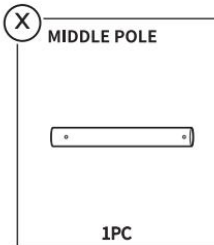
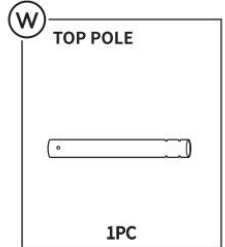
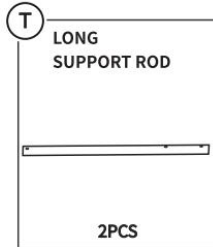
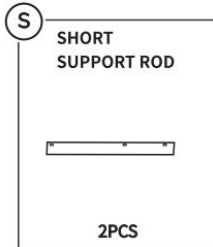
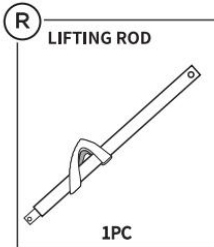
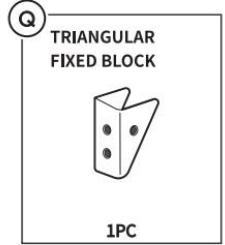
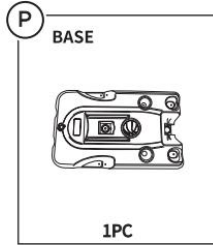
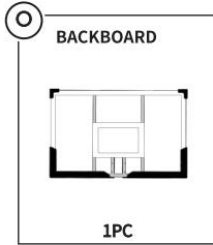
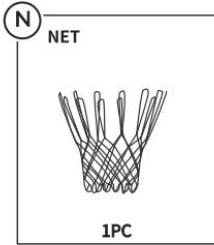
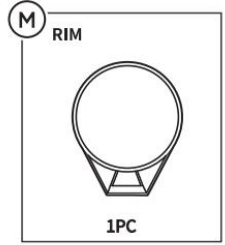
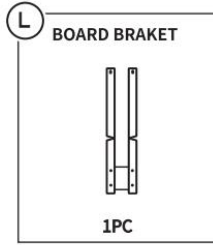
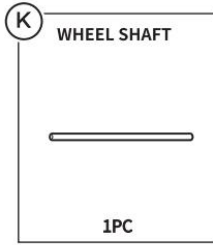
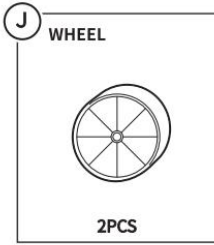
1PC

**AGES 8+**  
ADULT ASSEMBLY  
REQUIRED



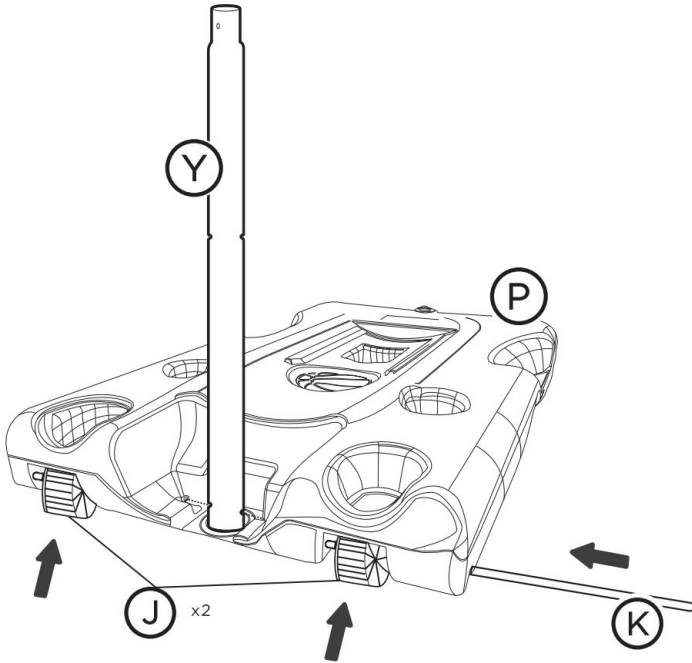
2 PERSON  
ASSEMBLY

# PARTS

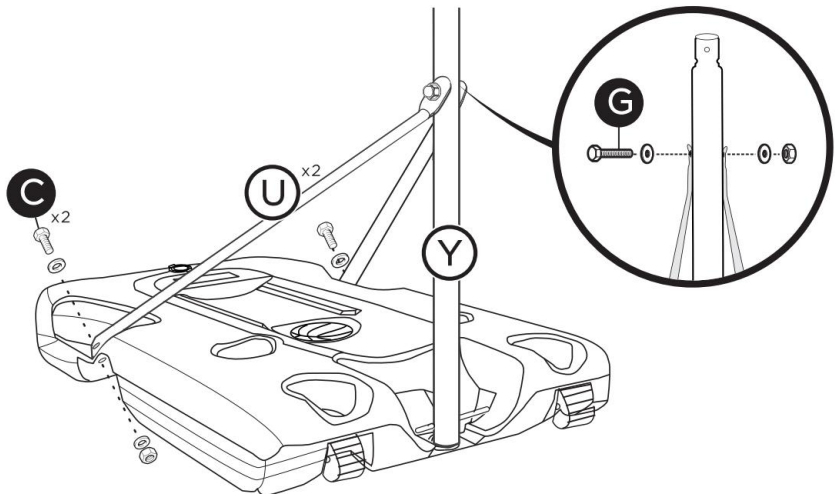


**1**

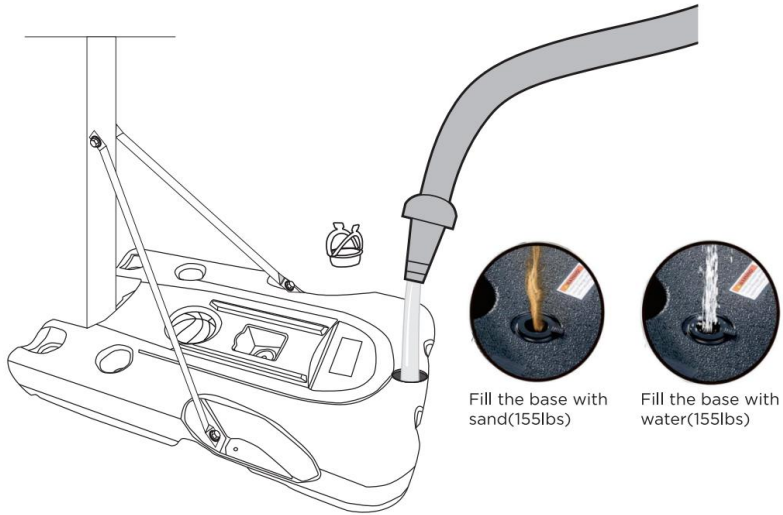
Locate the Base(P) and insert the Bottom pole(Y). Use the Wheel shaft(K) to attach Wheels(J). Place the wheels into the recesses on the front of the base then slide wheel shaft through the hole on the side, The shaft passes through the base, wheel, bottom pole, and then through the other wheel.

**2**

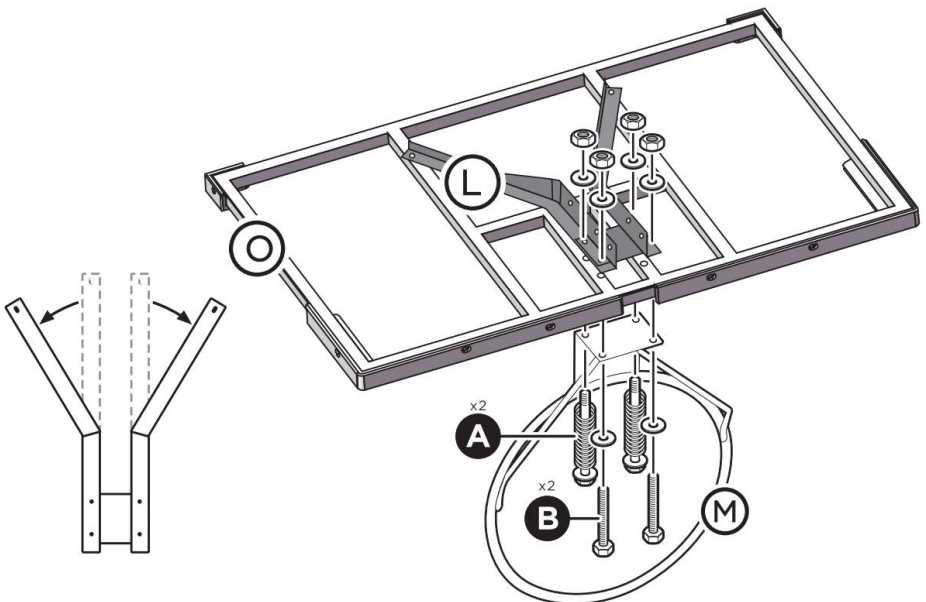
Attach two Pole braces(U) to the Bottom pole(Y) with one bolt set(G). Attach the Pole braces(U) to the Base(P) with two bolt sets(C).



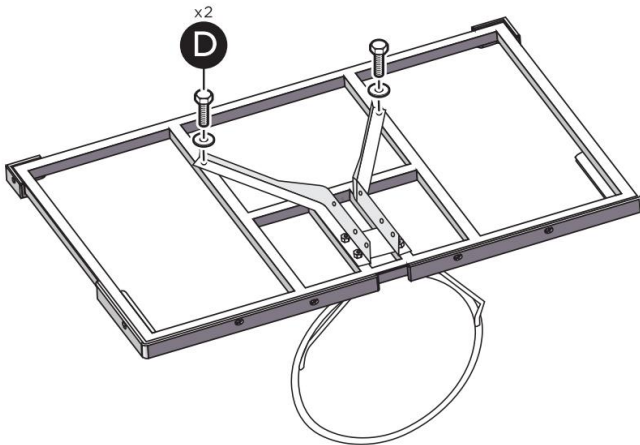
- 3** Move the base to the right position, add water or sand.  
NOTE: Do not mix sand and water



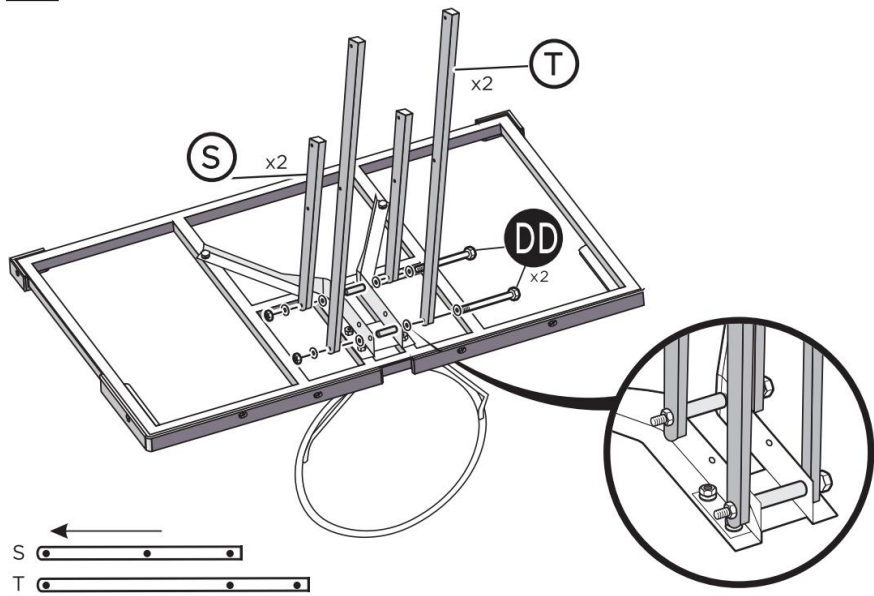
- 4** Locate the Board bracket(L), then gently bend the two tines into a y shape. Attach the Rim(M) and Board bracket(L) to the Backboard(O) with two Bolt sets(A) and two Bolt sets(B). Use the Bolts(A) in the top holes of the Rim(M) and the Bolts(B) for the bottom holes.



**5** Attach Board bracket(L) to the back of the Backboard(O) with two bolts(D).



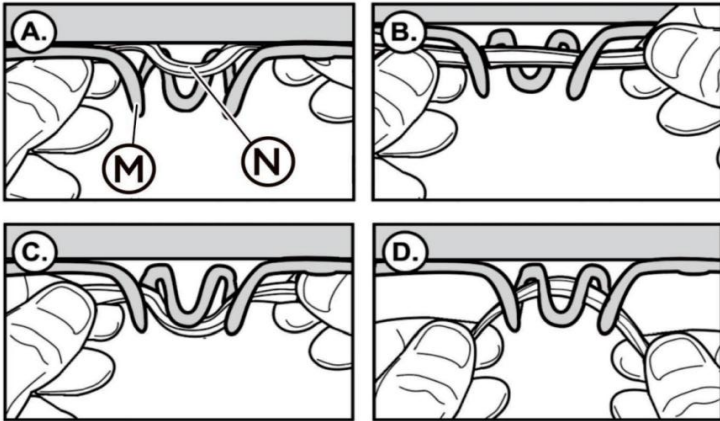
**6** Fix the short support rod(S) and long support rod(T) with the Board bracket(L) with two Bolts(DD).



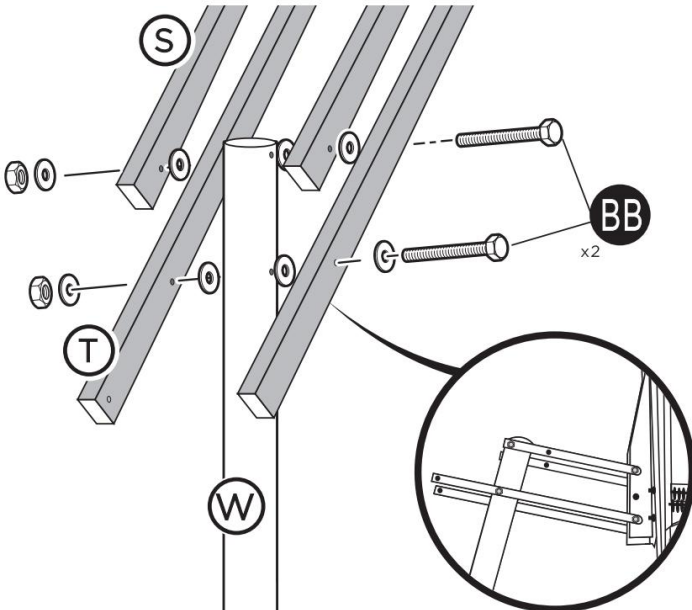
This Round head end shall be oriented toward the backboard as illustrated. Please note the hole positions.

**7**

Attach the Net(N) to the Rim(M) as shown:

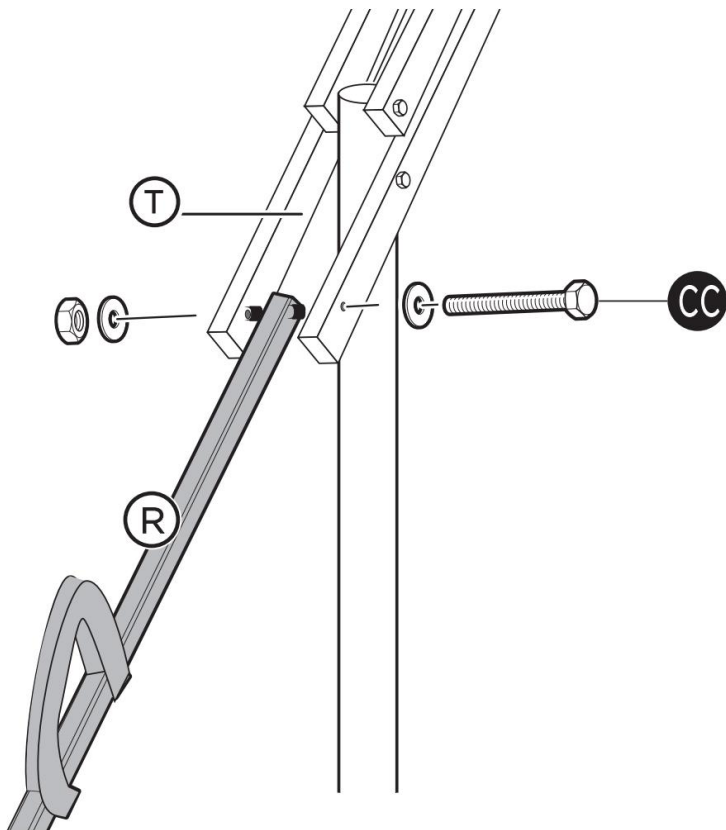
**8**

Attach the Short support rods(S) to the Top pole(W) with Bolt set(BB).  
Attach the Long support rods(T) to the Top pole(W) with Bolt set(BB).

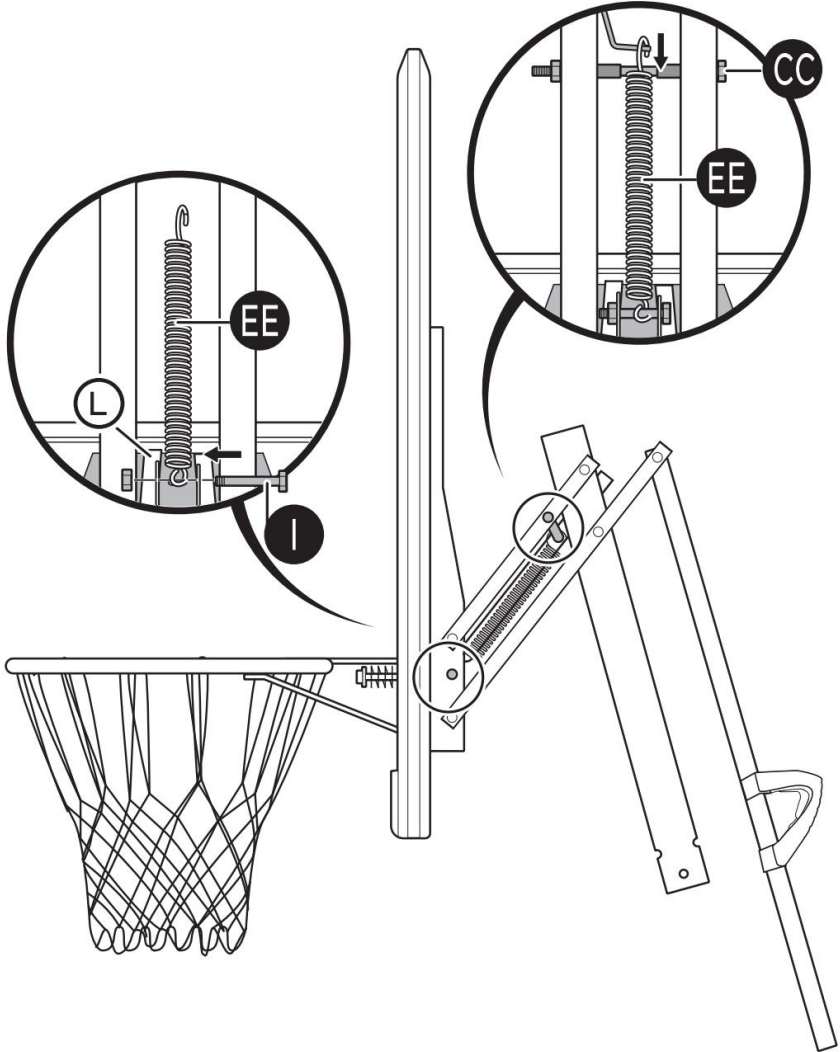


**9**

Attach the Lifting rod(R) to the ends of the Long support rods(T) with Bolt set(CC).

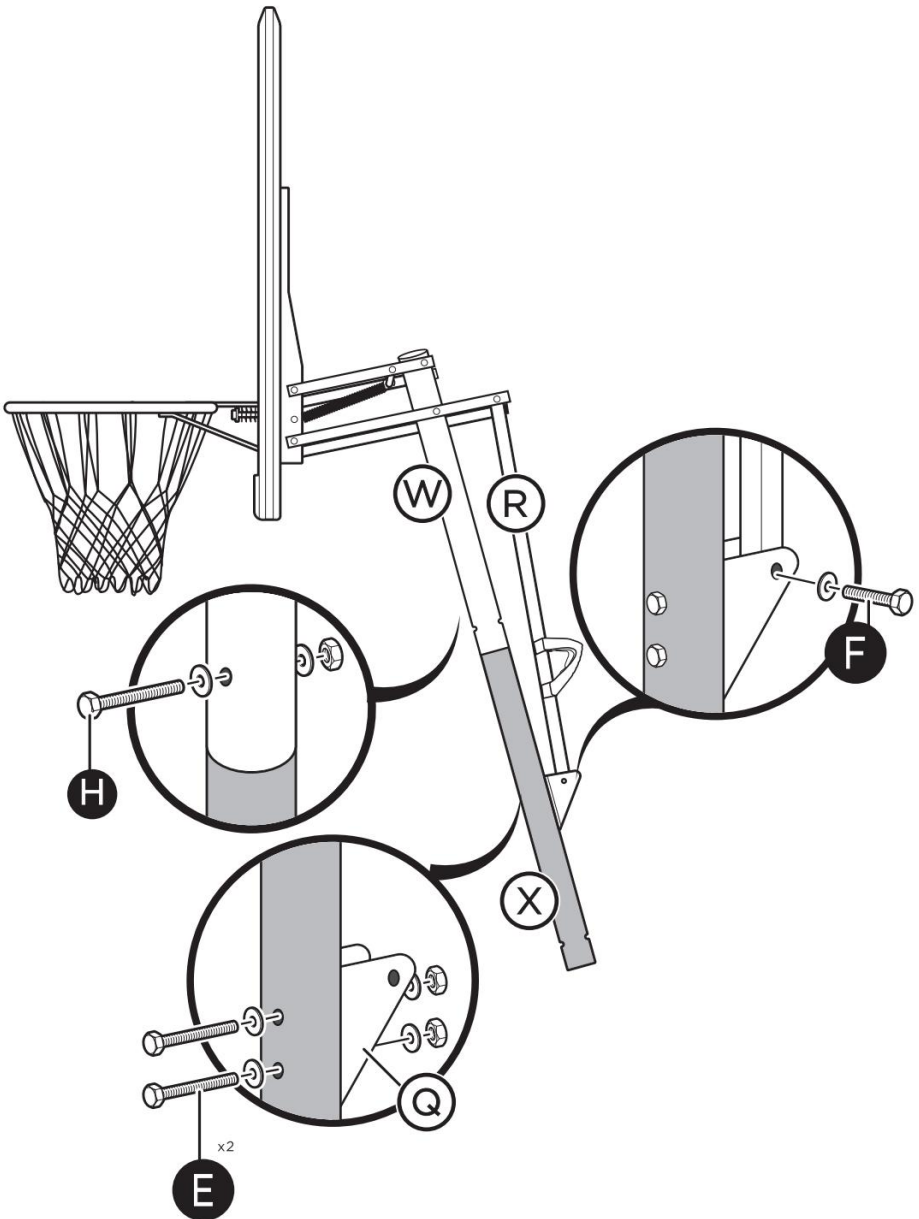


- 10** First, install bolt set (CC) at the middle hole positions of the two Short Support Rods (S). Next, insert bolt set (I) into the central hole position of the Board Bracket (L), while threading one end of the spring (EE) onto the bolt set (I). Finally, hook the white cord to the free end of the spring (EE), then apply tension to securely engage it with bolt set (CC) on the Short Support Rods (S).

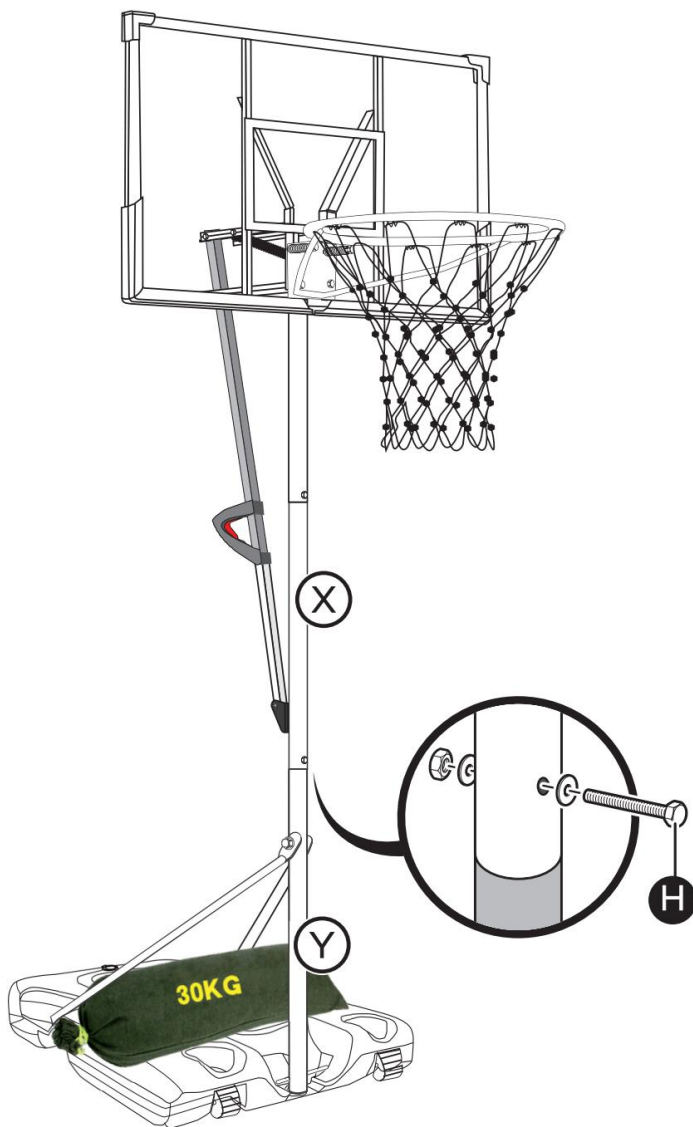


**11**

Slide the Middle pole(X) into the Top pole(W), then secure with bolt set(H). Attach the Triangular block(Q) to the Middle pole(X) with two bolt sets(E). Attach the Lifting rod(R) to the Triangular block(Q) with bolt set(F).



- 12** Insert the assembled middle pole onto the previously assembled bottom pole and connect it with bolt set(H).  
To make the basketball hoop more stable, fill the sandbag with sand and place it on the base.



**WARNING: Assembled by an adult. In the process of play, parents should always accompany their children. Not suitable for children under 3 years of age. For your safety, do not dunk or hang from the basketball hoop.**

**Manufacturer:** Taizhou Xiangtai Sporting Goods Co., Ltd.

**Address:** #90, Xinghai Road, Hailing District, Taizhou, Jiangsu, China.

**Imported to AUS:** SIHAO PTY LTD. 1 ROKEVA STREET EASTWOOD  
NSW 2122 Australia

**Imported to USA:** Sanven Technology Ltd. Suite 250, 9166 Anaheim  
Place, Rancho Cucamonga, CA 91730

<b>UK</b>	<b>REP</b>
-----------	------------

YH CONSULTING LIMITED. C/O YH Consulting  
Limited Office 147, Centurion House, London  
Road, Staines-upon-Thames, Surrey, TW18 4AX

<b>EC</b>	<b>REP</b>
-----------	------------

E-CrossStu GmbH  
Mainzer Landstr.69,  
60329 Frankfurt am Main.





# **VEVOR**

**Affordable. Reliable. Home Improvement.**

## **SUPPORT DE BASKET PORTABLE**

**MODÈLE : X031-26ZL**

# VEVOR

Affordable. Reliable. Home Improvement.

## PORTABLE BASKETBALL STAND

MODÈLE : X031-26ZL



**WARNING:**  
IMPROPER INSTALLATION  
OR SWINGING ON THE RING  
MAY CAUSE SERIOUS INJURY  
OR DEATH

Ceci est le mode d'emploi d'origine. Veuillez lire attentivement l'intégralité du manuel avant utilisation. VEVOR se réserve le droit d'interpréter clairement ce manuel d'utilisation. L'apparence du produit dépend du produit que vous avez reçu. Veuillez nous excuser de ne pas vous informer ultérieurement des mises à jour technologiques ou logicielles de notre produit.



Avertissement - Pour réduire le risque de blessure, l'utilisateur doit lire attentivement le manuel d'instructions.

## INSTRUCTIONS

Merci beaucoup d'avoir choisi ce support de basket-ball portable. Veuillez lire toutes les instructions avant de l'utiliser. Ces informations vous aideront à obtenir les meilleurs résultats possibles.

### **AVERTISSEMENT:**

Veuillez lire attentivement ce manuel avant d'utiliser le produit. Le non-respect de cette consigne peut entraîner des blessures graves.

### **PRÉCAUTIONS DE MONTAGE**

1. L'assemblage doit suivre ces instructions. Un assemblage incorrect peut constituer un danger.
2. Portez des lunettes de sécurité et des gants de travail robustes pendant l'assemblage.
3. Ne montez pas lorsque vous êtes fatigué ou sous l'influence de l'alcool, de drogues ou de médicaments.
4. La capacité de poids et les autres capacités du produit s'appliquent uniquement à un produit entièrement et correctement assemblé.
5. Gardez la zone de montage propre et bien éclairée.
6. Gardez les spectateurs hors de la zone pendant le montage.
7. L'assemblage doit être effectué par des adultes uniquement.
8. **AVERTISSEMENT** : Ce produit contient de petites pièces. En cas d'ingestion, il existe un risque d'étouffement. Gardez ces petites pièces

hors de portée des enfants lorsque  
assemblage!

### **Avis aux assembleurs :**

Tous les systèmes de basket-ball, y compris ceux utilisés pour les expositions , doivent être assemblés et lestés conformément aux instructions. Le non-respect des instructions peut entraîner des blessures graves.

Veuillez lire tous les avertissements et mises en garde avant l'assemblage. Il est recommandé de surveiller les enfants lorsqu'ils jouent avec ce produit. Ce produit doit être assemblé par 2 adultes seulement !

Nous vous remercions d'avoir acheté l'un de nos nombreux produits de qualité. Nous sommes assurés que vous serez très satisfait de votre sélection.

## **PRÉCAUTIONS D'EMPLOI**



### **AVERTISSEMENT:**

#### **POUR ÉVITER LES BLESSURES GRAVES ET LA MORT DUE AU BASCULEMENT :**

1. Utiliser uniquement comme prévu. Ne vous asseyez pas et ne vous tenez pas debout sur le produit.
2. Inspectez avant chaque utilisation. Ne l'utilisez pas si des pièces sont desserrées ou endommagées.
3. Si des pièces manquent, sont cassées, endommagées ou usées, arrêtez d'utiliser cet article jusqu'à ce que les réparations soient effectuées et que des pièces de rechange d'origine soient installées .

## **AVERTISSEMENT:**

**Pour votre sécurité, veuillez ne pas faire de dunk ou vous suspendre au panier de basket.**

## **CONSERVEZ CES INSTRUCTIONS**

### **ASSEMBLÉE**

#### **1 AVIS**

- Veuillez lire toutes les instructions avant de tenter d' installer ou d' assembler cet article. L'assemblage doit être effectué par des adultes uniquement.
- Reconfirmer que tout les boulons, les vis et les boutons sont bien fixés avant chaque utilisation.
- Ce produit est destiné à un usage extérieur.
- Si des pièces manquent, sont cassées, endommagées ou usées, cessez d'utiliser cet article jusqu'à ce que des réparations soient effectuées et/ou que des pièces de rechange d'usine soient installées.



# SAFETY INSTRUCTIONS



FAILURE TO FOLLOW THESE SAFETY INSTRUCTIONS MAY RESULT IN SERIOUS INJURY OR PROPERTY DAMAGE AND WILL VOID WARRANTY.

To ensure safety, do not attempt to assemble this system without following the instructions carefully. Check entire box and inside all packing material for parts and/or additional instruction material. Before beginning assembly, read the instructions and identify parts using the hardware identifier and parts list in this document. Proper and complete assembly, use, and supervision are essential for proper operation and to reduce the risk of accident or injury. A high probability of serious injury exists if this system is not installed, maintained, and operated properly.

- If using a ladder during assembly, use extreme caution.
- 2 capable adults are recommended for this operation.
- Check base daily for leakage. Leaks will cause system to fall.
- Assemble the pole sections properly (if applicable). Failure to do so could cause the pole sections to separate during play or transport.
- The adjustable height from rim to floor is 1.15-2.1 m.

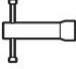
## **AVERTISSEMENT**

- Ne pas glisser, grimper ou jouer sur la base ou le poteau.
- Remplissez complètement la base selon les instructions du fabricant ou l'article basculer rapidement, provoquant des blessures graves.
- Ne laissez pas les enfants déplacer ou ajuster l'article.
- La surface sous la base doit être lisse et exempte de gravier ou d'autres objets. Les crevaisons peuvent provoquer fuite et pourrait provoquer le basculement de l'article.
- Vérifiez l'absence de rouille sur le poteau et toutes les pièces métalliques une fois par mois. Retirez complètement la rouille et repeignez avec de l'émail extérieur. Si de la rouille a pénétré une pièce en acier, remplacez-la immédiatement.
- Vérifiez l'article avant chaque utilisation pour un ballast approprié, lâche matériel, instabilité, et les signes de corrosion, et réparer avant chaque utilisation. Ne jouez jamais sur un équipement endommagé.
- Ne grimpez pas sur la base ou sur la structure en général, car cela pourrait entraîner des blessures graves.

- Ne pas trop serrez le matériel car cela pourrait endommager la structure du produit.
- Le réglage et le déplacement du jeu de basket doivent être effectués par des adultes.
- Placez toujours la base de l' ensemble sur une surface plane.
- L'ensemble nécessite deux personnes pour l'assemblage.
- Vérifiez régulièrement la base pour détecter toute fuite avant de jouer.


# HARDWARE

**AA** SLEEVES  
WRENCH




4PCS

**BB** M10 x140mm  
BOLT & NUT  
SET




2PCS

**CC** M10 x 140mm  
BOLT & NUT  
SET



2PCS

**DD** M10 x 140mm  
BOLT & NUT  
SET




2PCS

**A** M8x 120mm  
SPRING SCREW  
SET




2PCS

**B** M8x 50mm  
BOLT & NUT  
SET




2PCS

**C** M8x 20mm  
BOLT & NUT  
SET



2PCS

**D** M8 x16mm  
BOLT



2PCS

**E** M8 x90mm  
BOLT & NUT  
SET




2PCS

**F** M8 x50mm  
BOLT & NUT  
SET




1PC

**G** M10 x100mm  
BOLT & NUT  
SET




1PC

**H** M10 x 90 mm  
BOLT & NUT  
SET




2PCS

**I** M8x 90mm  
BOLT & NUT  
SET



1PC

**EE** SPRING



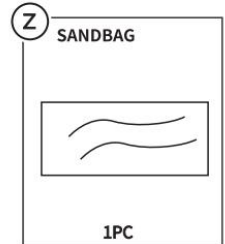
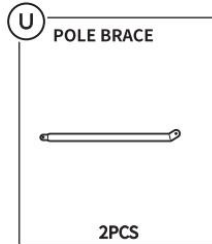
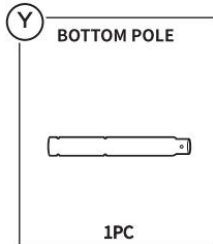
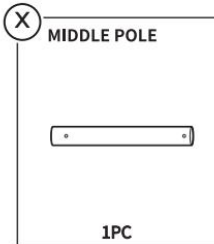
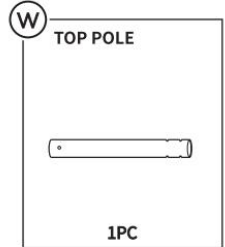
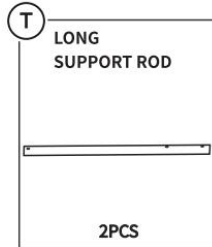
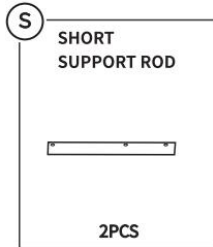
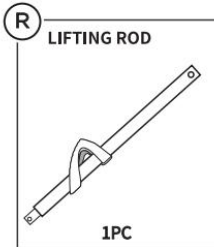
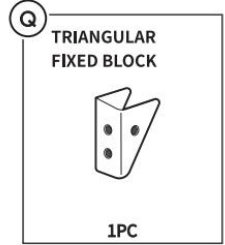
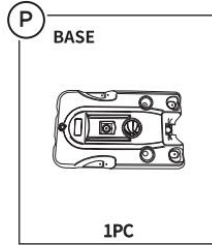
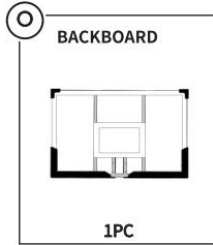
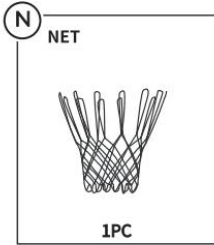
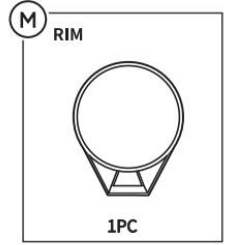
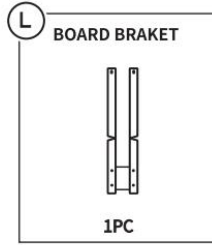
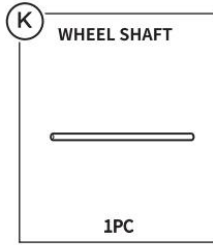
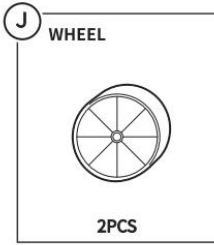
1PC

**AGES 8+**  
ADULT ASSEMBLY  
REQUIRED

**2 PERSON  
ASSEMBLY**

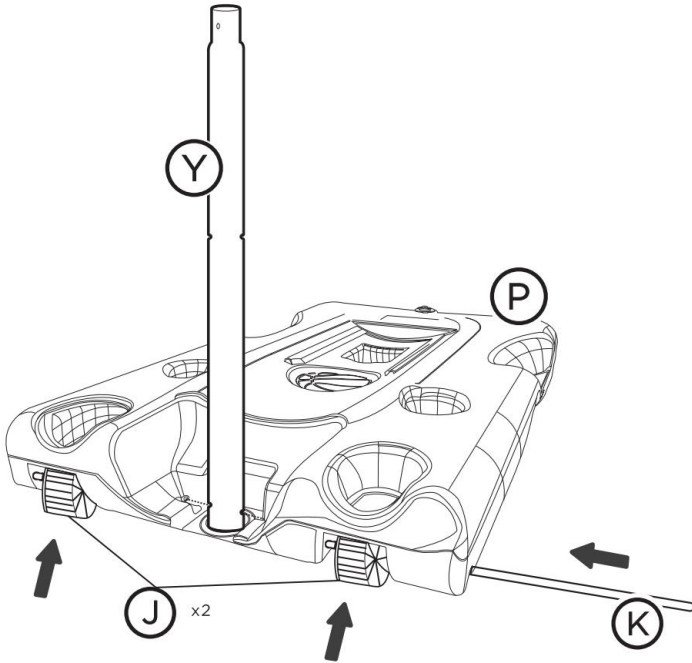


# PARTS

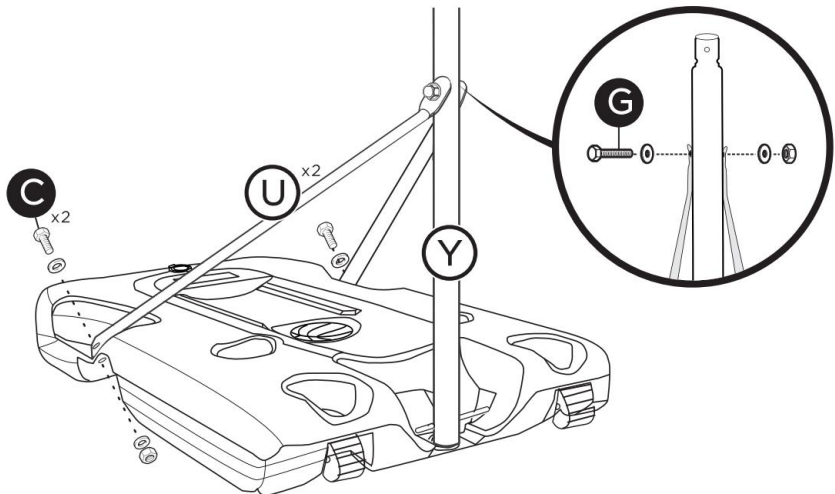


**1**

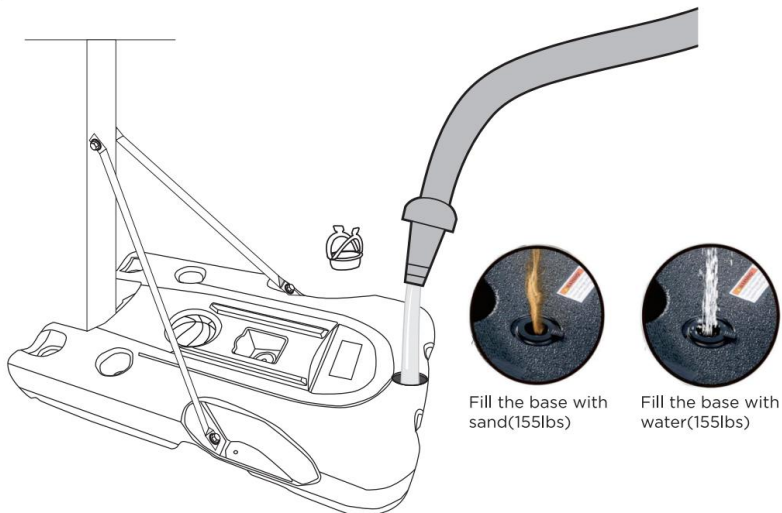
Locate the Base(P) and insert the Bottom pole(Y). Use the Wheel shaft(K) to attach Wheels(J). Place the wheels into the recesses on the front of the base then slide wheel shaft through the hole on the side, The shaft passes through the base, wheel, bottom pole, and then through the other wheel.

**2**

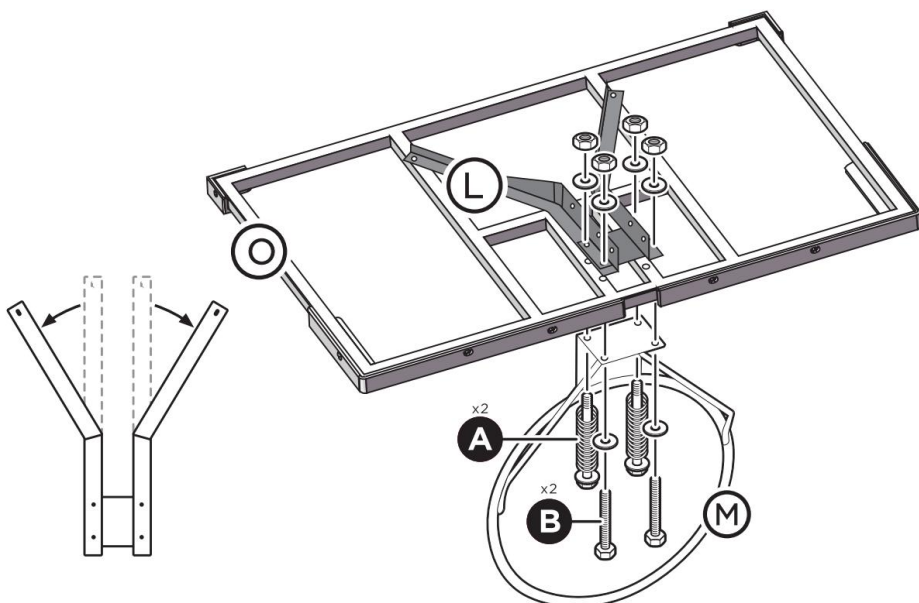
Attach two Pole braces(U) to the Bottom pole(Y) with one bolt set(G). Attach the Pole braces(U) to the Base(P) with two bolt sets(C).



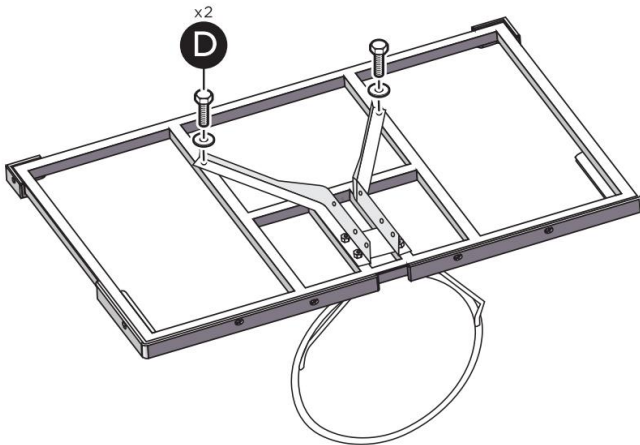
- 3** Move the base to the right position, add water or sand.  
NOTE: Do not mix sand and water



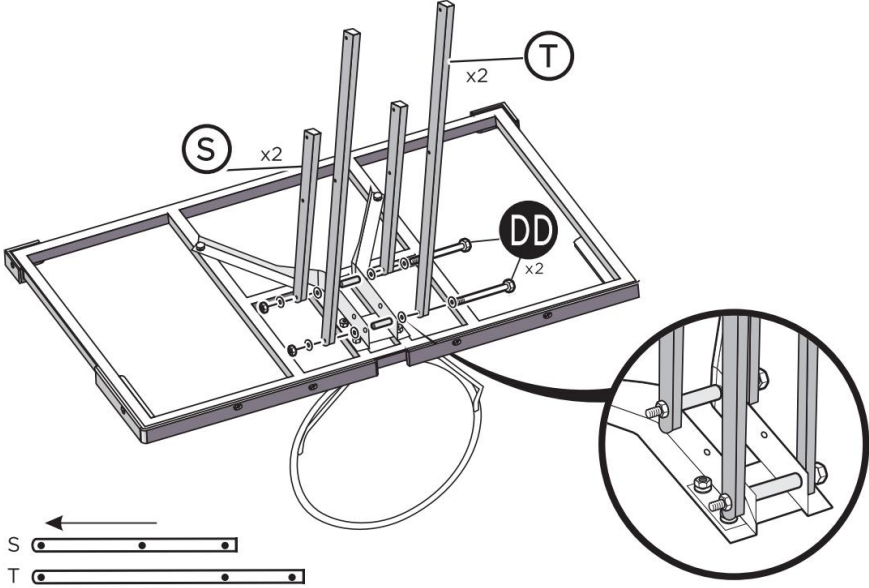
- 4** Locate the Board bracket(L), then gently bend the two tines into a y shape. Attach the Rim(M) and Board bracket(L) to the Backboard(O) with two Bolt sets(A) and two Bolt sets(B). Use the Bolts(A) in the top holes of the Rim(M) and the Bolts(B) for the bottom holes.



**5** Attach Board bracket(L) to the back of the Backboard(O) with two bolts(D).



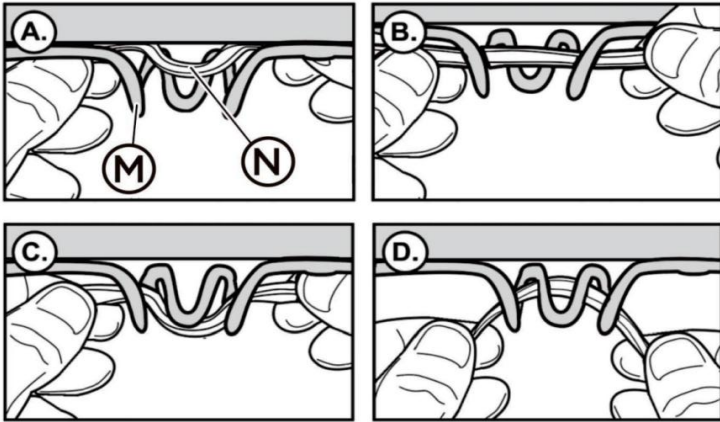
**6** Fix the short support rod(S) and long support rod(T) with the Board bracket(L) with two Bolts(DD).



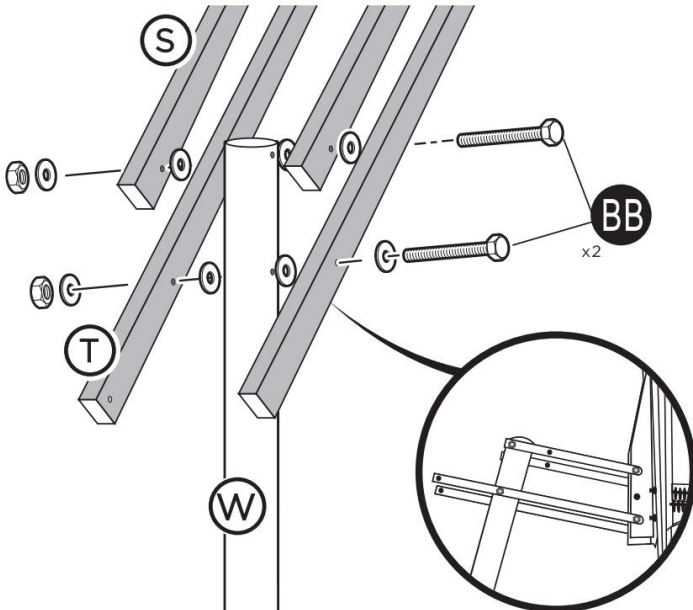
This Round head end shall be oriented toward the backboard as illustrated. Please note the hole positions.

**7**

Attach the Net(N) to the Rim(M) as shown:

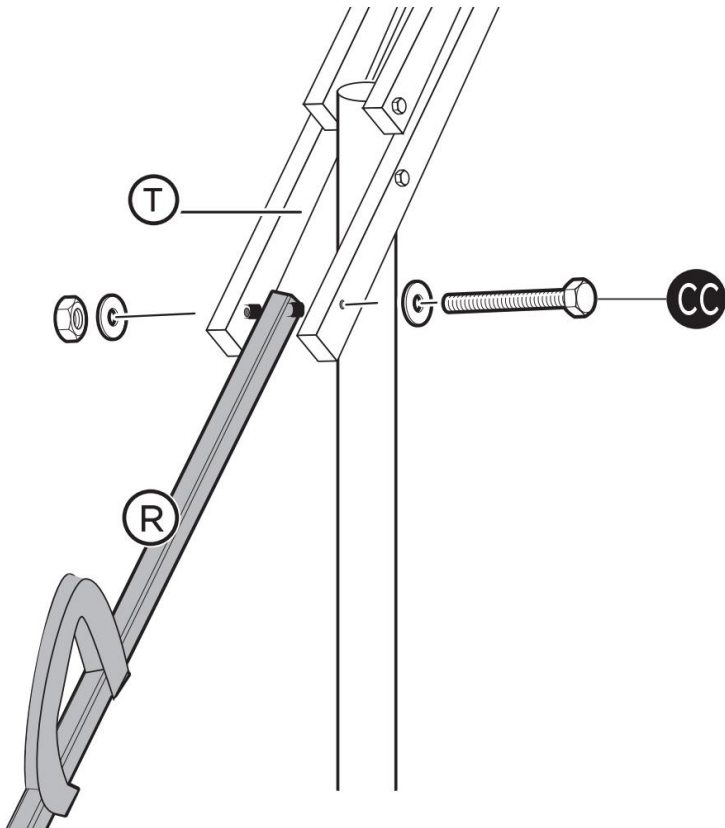
**8**

Attach the Short support rods(S) to the Top pole(W) with Bolt set(BB).  
Attach the Long support rods(T) to the Top pole(W) with Bolt set(BB).

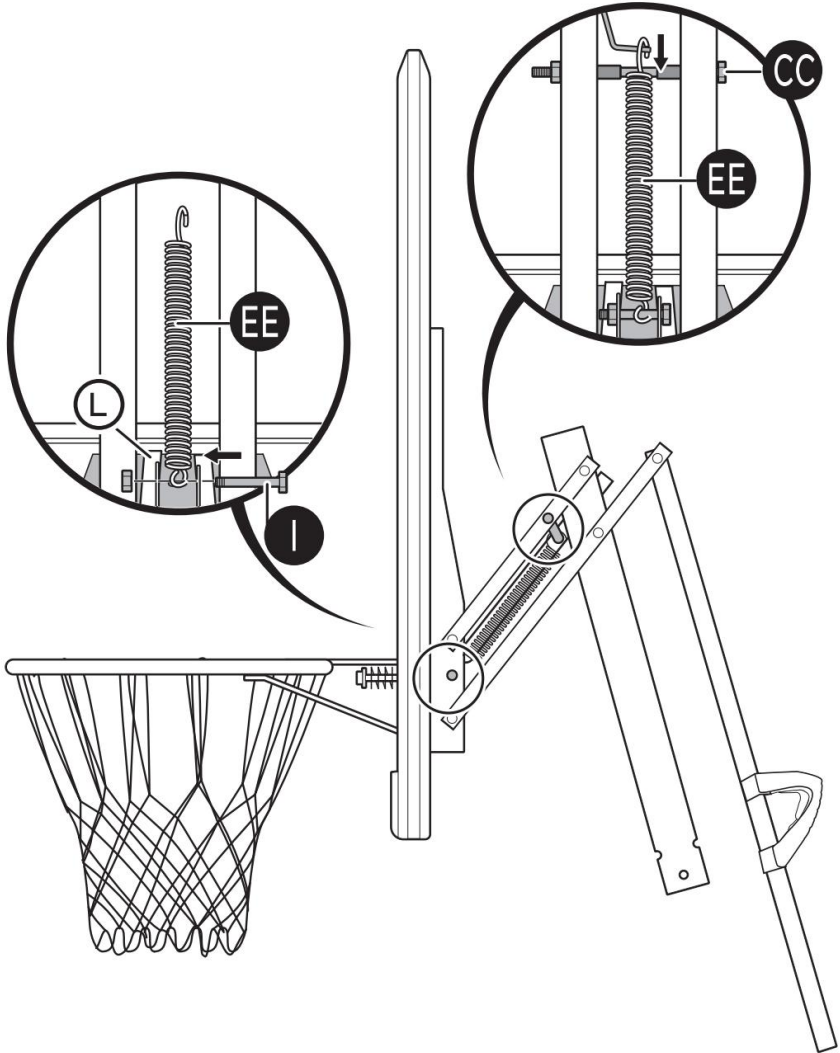


**9**

Attach the Lifting rod(R) to the ends of the Long support rods(T) with Bolt set(CC).

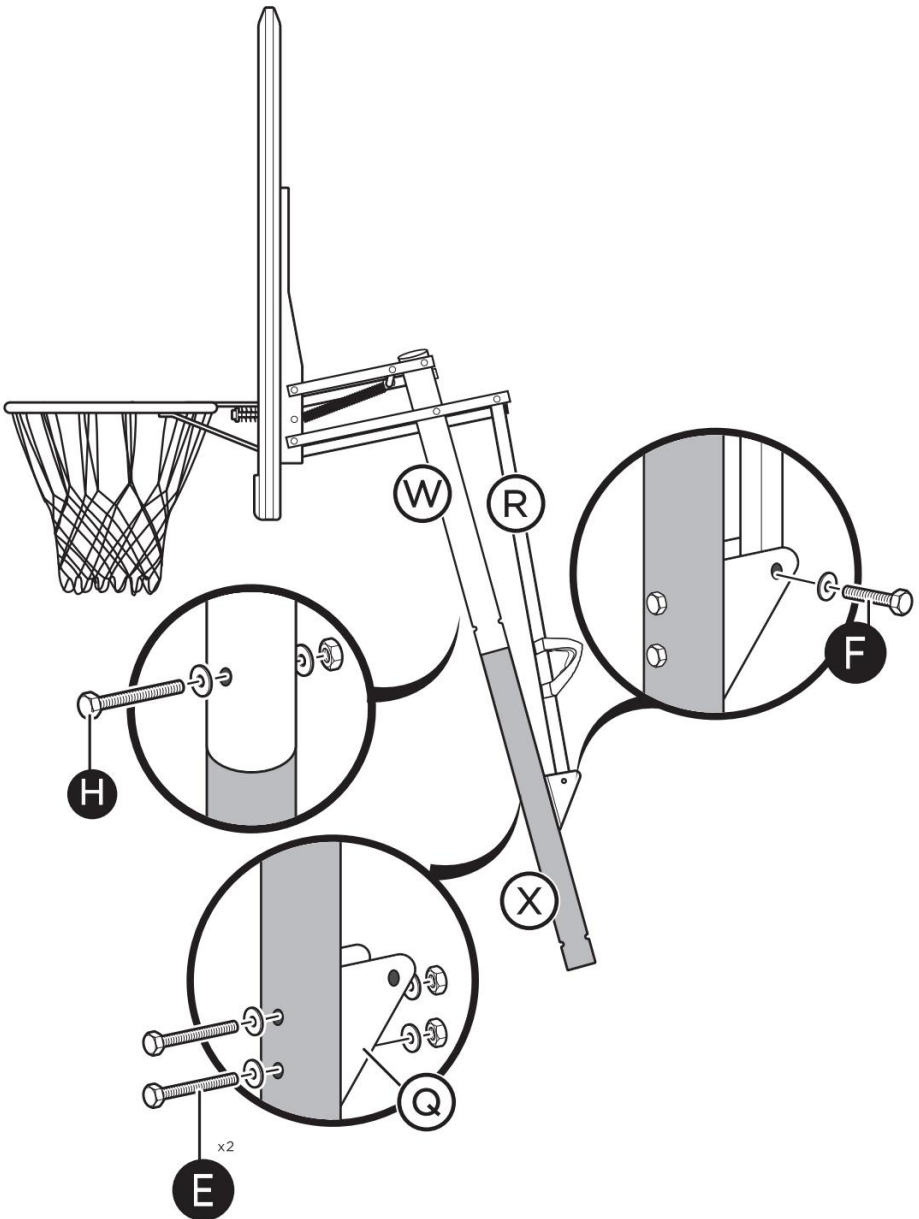


- 10** First, install bolt set (CC) at the middle hole positions of the two Short Support Rods (S). Next, insert bolt set (I) into the central hole position of the Board Bracket (L), while threading one end of the spring (EE) onto the bolt set (I). Finally, hook the white cord to the free end of the spring (EE), then apply tension to securely engage it with bolt set (CC) on the Short Support Rods (S).

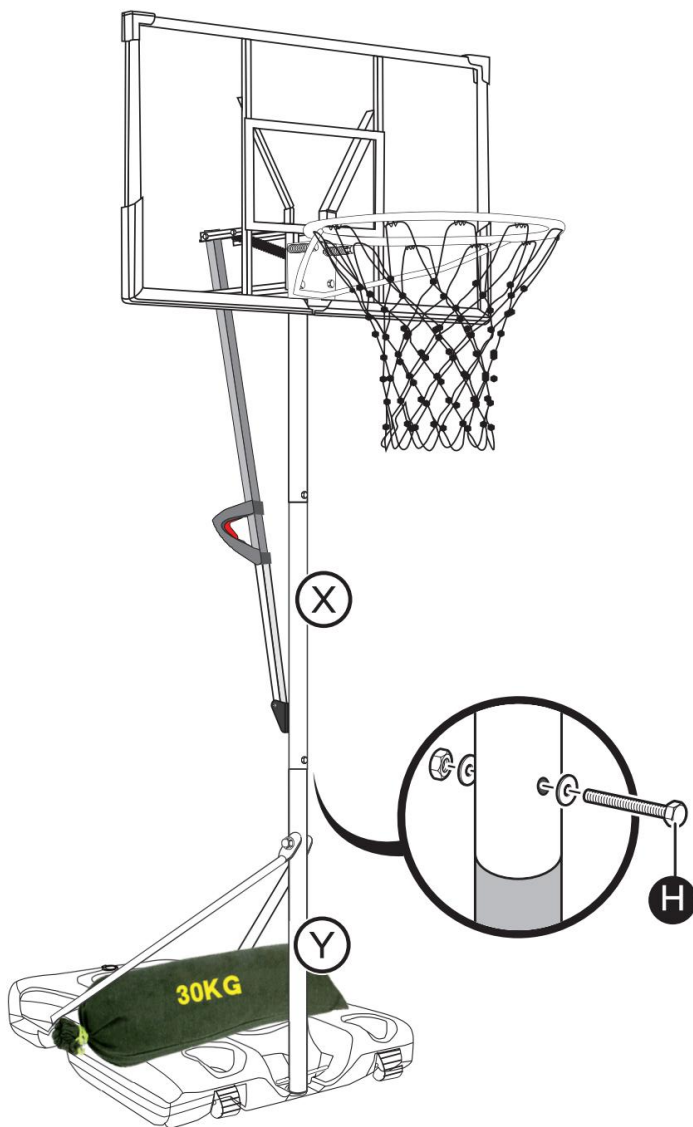


**11**

Slide the Middle pole(X) into the Top pole(W), then secure with bolt set(H). Attach the Triangular block(Q) to the Middle pole(X) with two bolt sets(E). Attach the Lifting rod(R) to the Triangular block(Q) with bolt set(F).



- 12** Insert the assembled middle pole onto the previously assembled bottom pole and connect it with bolt set(H).  
To make the basketball hoop more stable, fill the sandbag with sand and place it on the base.



**leurs enfants pendant le jeu . Ne convient pas aux enfants de moins de 3 ans. Pour votre sécurité, ne pas faire de dunk ou se suspendre au panier de basket.**

**Fabricant** : Taizhou Xiangtai Sporting Goods Co., Ltd.

**Adresse** : #90, route Xinghai, district de Hailing, Taizhou, Jiangsu, Chine.

**Importé en Australie** : SIHAO PTY LTD. 1 ROKEVA STREET, ASTWOOD, NSW 2122, Australie

**Importé aux États-Unis** : Sanven Technology Ltd. Suite 250, 9166 Anaheim Place, Rancho Cucamonga, CA 91730

<b>UK</b>	<b>REP</b>
-----------	------------

YH CONSULTING LIMITED. C/O YH Consulting Limited Office 147, Centurion House, London Road, Staines-upon-Thames, Surrey, TW18 4AX

<b>EC</b>	<b>REP</b>
-----------	------------

E-CrossStu GmbH  
Mainzer Landstr.69,  
60329 Frankfurt am Main.





# **VEVOR**

**Affordable. Reliable. Home Improvement.**

## **TRAGBARER BASKETBALLSTÄNDER**

**MODELL: X031-26ZL**

# VEVOR

Affordable. Reliable. Home Improvement.

## PORTABLE BASKETBALL STAND

MODELL: X031-26ZL



**WARNING:**  
IMPROPER INSTALLATION  
OR SWINGING ON THE RING  
MAY CAUSE SERIOUS INJURY  
OR DEATH

Dies ist die Originalanleitung. Bitte lesen Sie alle Anweisungen sorgfältig durch, bevor Sie das Gerät in Betrieb nehmen. VEVOR behält sich eine klare Auslegung unserer Bedienungsanleitung vor. Das Aussehen des Produkts hängt vom gelieferten Produkt ab. Bitte haben Sie Verständnis dafür, dass wir Sie nicht erneut über Technologie- oder Software-Updates informieren.



Warnung: Um das Verletzungsrisiko zu verringern, muss der Benutzer die Bedienungsanleitung sorgfältig lesen.

## ANWEISUNGEN

Vielen Dank, dass Sie sich für diesen tragbaren Basketballständer entschieden haben. Bitte lesen Sie vor der Verwendung alle Anweisungen. Die Informationen helfen Ihnen, die bestmöglichen Ergebnisse zu erzielen.

### **WARNUNG:**

Bitte lesen Sie dieses Handbuch sorgfältig durch, bevor Sie das Produkt verwenden. Andernfalls kann es zu schweren Verletzungen kommen.

## **VORSICHTSMASSNAHMEN BEI DER MONTAGE**

1. Beim Zusammenbau müssen diese Anweisungen befolgt werden. Eine falsche Montage kann eine Gefahr darstellen.
2. Tragen Sie während der Montage eine Schutzbrille und strapazierfähige Arbeitshandschuhe.
3. Nicht zusammenbauen, wenn Sie müde sind oder unter dem Einfluss von Alkohol, Drogen oder Medikamenten stehen.
4. Gewichtskapazität und andere Produktfähigkeiten gelten nur für ein vollständig und korrekt montiertes Produkt.
5. Halten Sie den Versammlungsbereich sauber und gut beleuchtet.
6. Halten Sie während der Montage unbeteiligte Personen vom Bereich fern.

7. Die Montage sollte nur von Erwachsenen durchgeführt werden.

8. **WARNUNG:** Dieses Produkt enthält Kleinteile. Beim Verschlucken besteht Erstickungsgefahr. Halten Sie diese Kleinteile von Kindern fern, wenn  
Zusammenbau!

### **Hinweis für Monteure:**

Alle Basketballsysteme, auch die für Displays , müssen gemäß Anleitung zusammengebaut und beschwert werden. Die Nichtbeachtung der Anweisungen kann zu schweren Verletzungen führen.

Bitte lesen Sie vor der Montage alle Warn- und Vorsichtshinweise . Es wird empfohlen, Kinder beim Spielen mit diesem Produkt zu beaufsichtigen.

Dieses Produkt darf nur von 2 Erwachsenen zusammengebaut werden!

Wir freuen uns, dass Sie eines unserer vielen tollen Produkte gekauft haben. Wir sind überzeugt, dass Sie mit Ihrer Auswahl sehr zufrieden sein werden.

## **VORSICHTSMASSNAHMEN BEI DER VERWENDUNG**



### **WARNUNG:**

#### **UM SCHWERE VERLETZUNGEN UND TOD DURCH UMKIPPEN ZU VERMEIDEN:**

1. Nur bestimmungsgemäß verwenden. Setzen oder stellen Sie sich nicht auf das Produkt.
2. Vor jedem Gebrauch prüfen. Verwenden Sie es nicht, wenn Teile lose oder beschädigt sind.
3. Wenn Teile fehlen, kaputt, beschädigt oder abgenutzt sind, verwenden Sie diesen Artikel nicht mehr, bis die Reparaturen durchgeführt und die entsprechenden Ersatzteile eingebaut wurden.

## **WARNUNG:**

**Zu Ihrer eigenen Sicherheit sollten Sie nicht dunken oder am Basketballkorb hängen.**

**BEWAHREN SIE DIESE ANWEISUNGEN AUF**

### **MONTAGE**

#### **① HINWEIS**

- Bitte lesen Sie alle Anweisungen, bevor Sie versuchen, diesen Artikel zu installieren oder zusammenzubauen. Die Montage sollte nur von Erwachsenen durchgeführt werden.
- Bestätigen Sie erneut, dass alle Überprüfen Sie vor jedem Gebrauch, ob Bolzen, Schrauben und Knöpfe fest angezogen sind.
- Dieses Produkt ist für den Einsatz im Freien vorgesehen.
- Wenn Teile fehlen, kaputt, beschädigt oder abgenutzt sind, verwenden Sie diesen Artikel nicht mehr, bis Reparaturen durchgeführt und/oder werkseitig Ersatzteile eingebaut wurden.



# SAFETY INSTRUCTIONS



FAILURE TO FOLLOW THESE SAFETY INSTRUCTIONS MAY RESULT IN SERIOUS INJURY OR PROPERTY DAMAGE AND WILL VOID WARRANTY.

To ensure safety, do not attempt to assemble this system without following the instructions carefully. Check entire box and inside all packing material for parts and/or additional instruction material. Before beginning assembly, read the instructions and identify parts using the hardware identifier and parts list in this document. Proper and complete assembly, use, and supervision are essential for proper operation and to reduce the risk of accident or injury. A high probability of serious injury exists if this system is not installed, maintained, and operated properly.

- If using a ladder during assembly, use extreme caution.
- 2 capable adults are recommended for this operation.
- Check base daily for leakage. Leaks will cause system to fall.
- Assemble the pole sections properly (if applicable). Failure to do so could cause the pole sections to separate during play or transport.
- The adjustable height from rim to floor is 1.15-2.1 m.

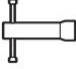
## **WARNUNG**

- Nicht auf Sockeln oder Stangen rutschen, klettern oder spielen.
- Füllen Sie den Boden vollständig gemäß den Anweisungen des Herstellers, sonst wird der Artikel kippen, was zu schweren Verletzungen führen kann.
- Erlauben Sie Kindern nicht, den Artikel zu bewegen oder zu verstellen.
- Die Oberfläche unter der Basis muss glatt und frei von Kies oder anderen Gegenständen sein. Einstiche können verursachen Auslaufen und könnte dazu führen, dass der Artikel umkippt.
- Überprüfen Sie die Stange und alle Metallteile einmal im Monat auf Rost. Entfernen Sie den Rost vollständig und streichen Sie die Stange mit Außenlack neu. Wenn Rost in ein Stahlteil eingedrungen ist, ersetzen Sie dieses Teil sofort.
- Überprüfen Sie den Artikel vor jedem Gebrauch auf ordnungsgemäße Ballastierung, lose Hardware, Instabilität, und Anzeichen von Korrosion und reparieren Sie diese vor jedem Gebrauch. Spielen Sie niemals auf beschädigten Geräten.
- Klettern Sie nicht auf den Sockel oder die Struktur im Allgemeinen, da dies zu schweren Verletzungen führen kann.

- Nicht über Ziehen Sie die Hardware fest, da dies die Produktstruktur beschädigen kann.
- Das Einstellen und Verschieben des Korbsets muss von Erwachsenen durchgeführt werden.
- Stellen Sie die Basis des Sets immer auf eine ebene Fläche.
- Für die Montage des Sets sind zwei Personen erforderlich.
- Überprüfen Sie die Basis vor dem Spielen regelmäßig auf Undichtigkeiten.


# HARDWARE

**AA** SLEEVES  
WRENCH




4PCS

**BB** M10 x140mm  
BOLT & NUT  
SET




2PCS

**CC** M10 x 140mm  
BOLT & NUT  
SET



2PCS

**DD** M10 x 140mm  
BOLT & NUT  
SET




2PCS

**A** M8x 120mm  
SPRING SCREW  
SET




2PCS

**B** M8x 50mm  
BOLT & NUT  
SET




2PCS

**C** M8x 20mm  
BOLT & NUT  
SET




2PCS

**D** M8 x16mm  
BOLT



2PCS

**E** M8 x90mm  
BOLT & NUT  
SET




2PCS

**F** M8 x50mm  
BOLT & NUT  
SET




1PC

**G** M10 x100mm  
BOLT & NUT  
SET



1PC

**H** M10 x 90 mm  
BOLT & NUT  
SET




2PCS

**I** M8x 90mm  
BOLT & NUT  
SET



1PC

**EE** SPRING



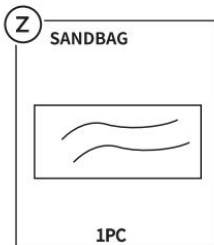
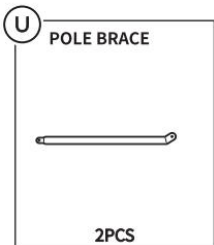
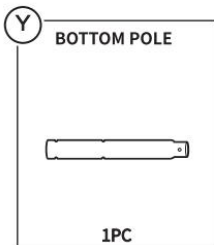
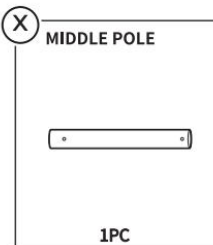
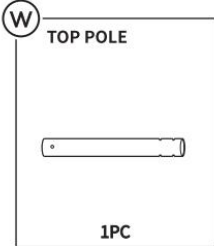
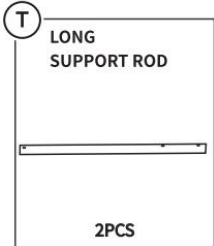
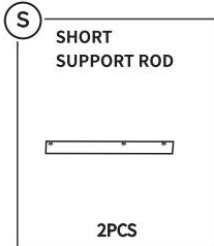
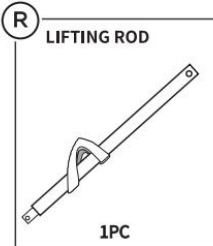
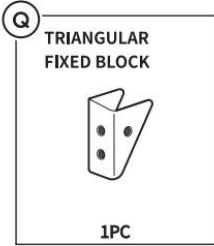
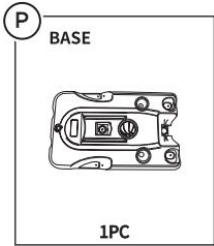
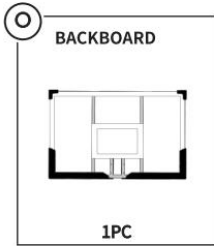
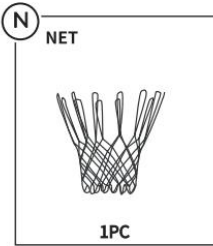
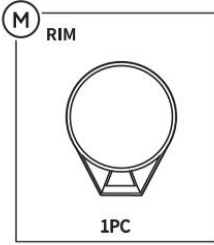
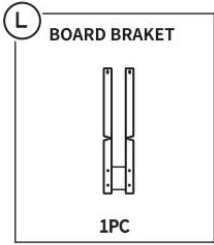
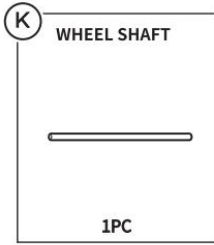
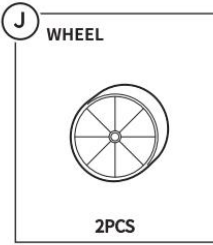
1PC

**AGES 8+**  
ADULT ASSEMBLY  
REQUIRED

**2 PERSON  
ASSEMBLY**

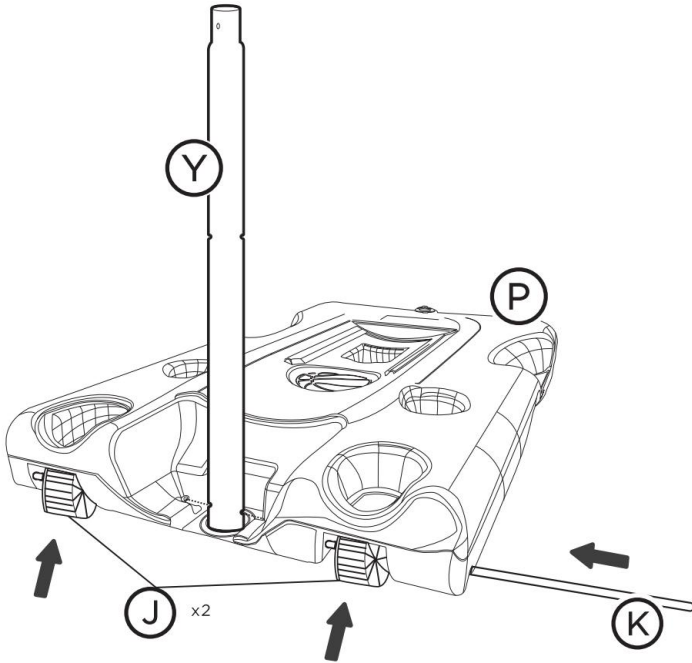


# PARTS

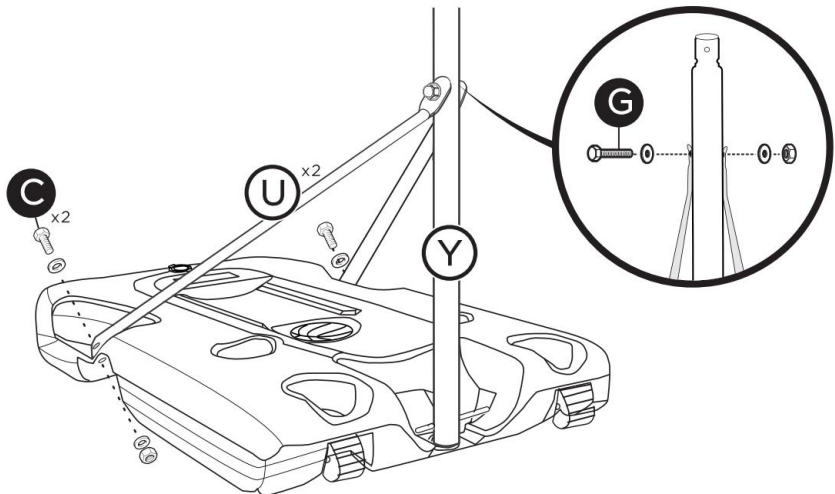


**1**

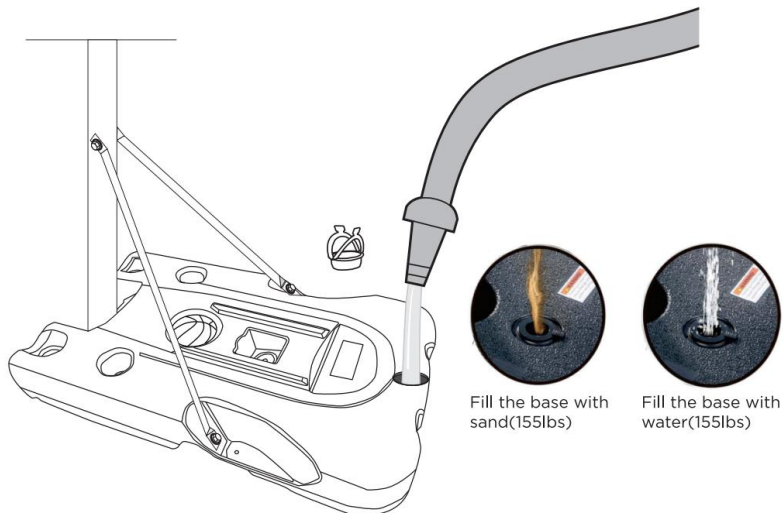
Locate the Base(P) and insert the Bottom pole(Y). Use the Wheel shaft(K) to attach Wheels(J). Place the wheels into the recesses on the front of the base then slide wheel shaft through the hole on the side, The shaft passes through the base, wheel, bottom pole, and then through the other wheel.

**2**

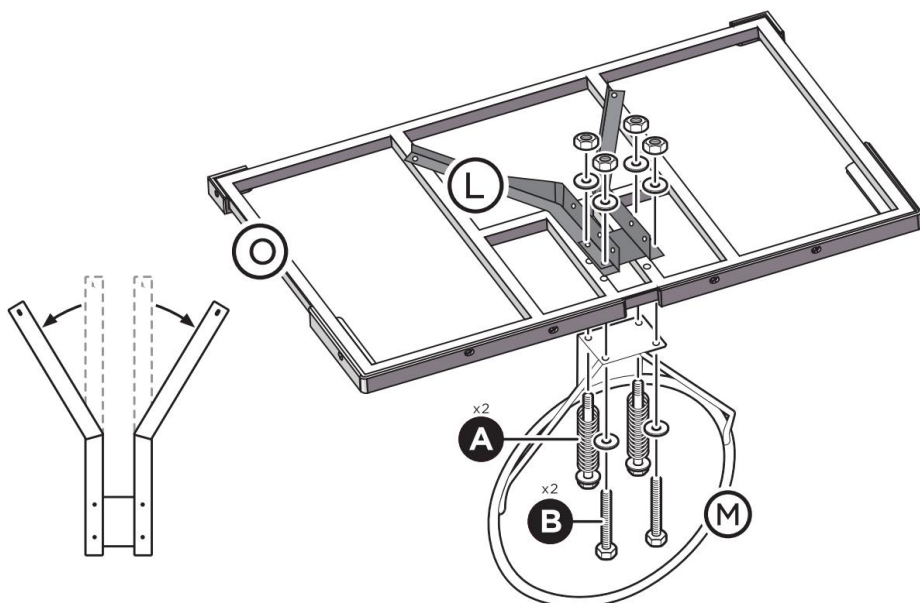
Attach two Pole braces(U) to the Bottom pole(Y) with one bolt set(G). Attach the Pole braces(U) to the Base(P) with two bolt sets(C).



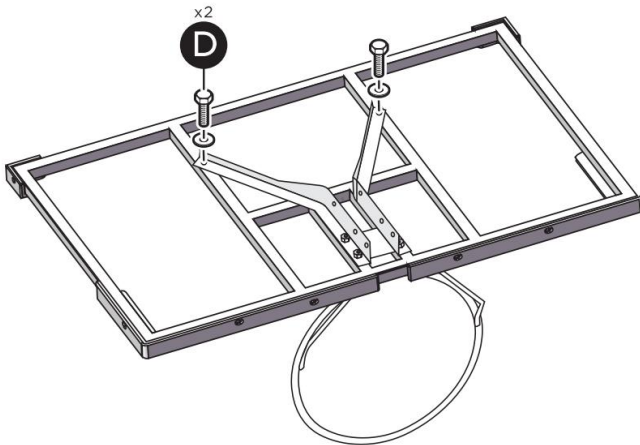
- 3** Move the base to the right position, add water or sand.  
NOTE: Do not mix sand and water



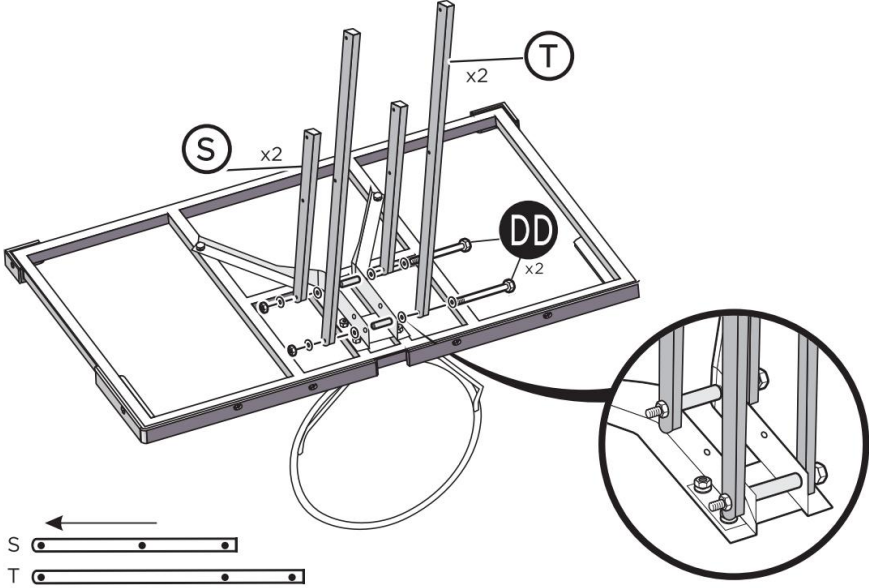
- 4** Locate the Board bracket(L), then gently bend the two tines into a y shape. Attach the Rim(M) and Board bracket(L) to the Backboard(O) with two Bolt sets(A) and two Bolt sets(B). Use the Bolts(A) in the top holes of the Rim(M) and the Bolts(B) for the bottom holes.



**5** Attach Board bracket(L) to the back of the Backboard(O) with two bolts(D).



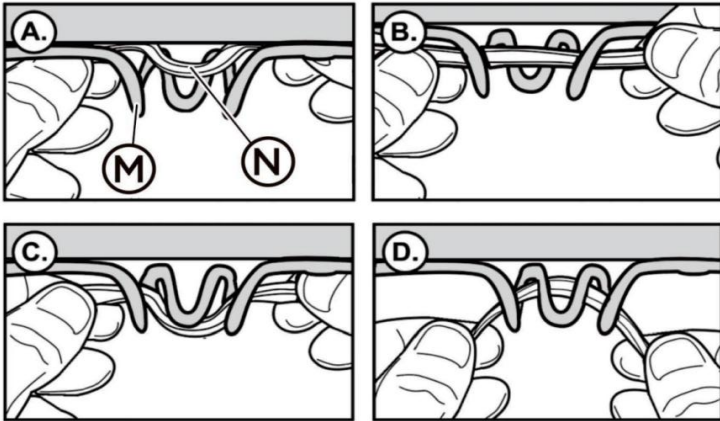
**6** Fix the short support rod(S) and long support rod(T) with the Board bracket(L) with two Bolts(DD).



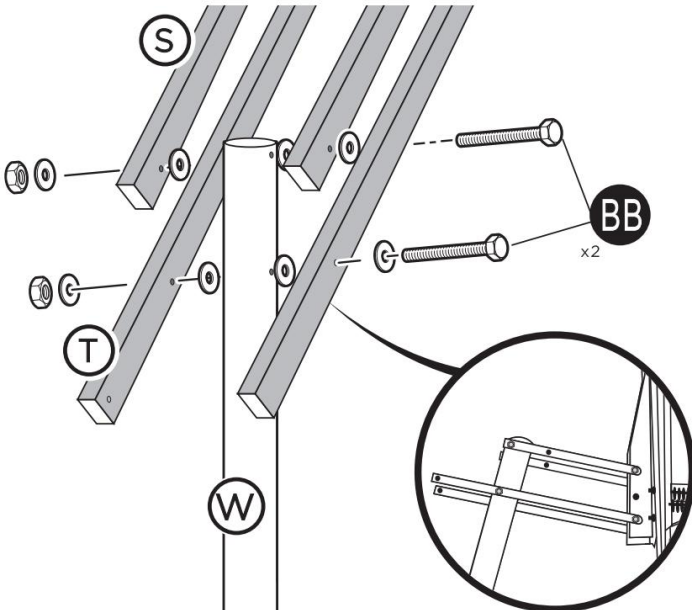
This Round head end shall be oriented toward the backboard as illustrated. Please note the hole positions.

**7**

Attach the Net(N) to the Rim(M) as shown:

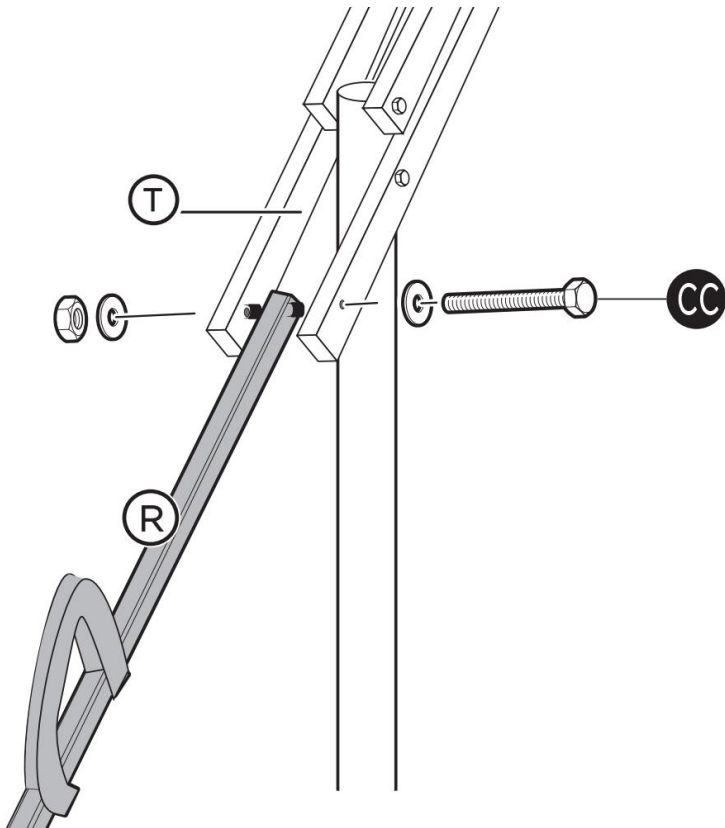
**8**

Attach the Short support rods(S) to the Top pole(W) with Bolt set(BB).  
Attach the Long support rods(T) to the Top pole(W) with Bolt set(BB).

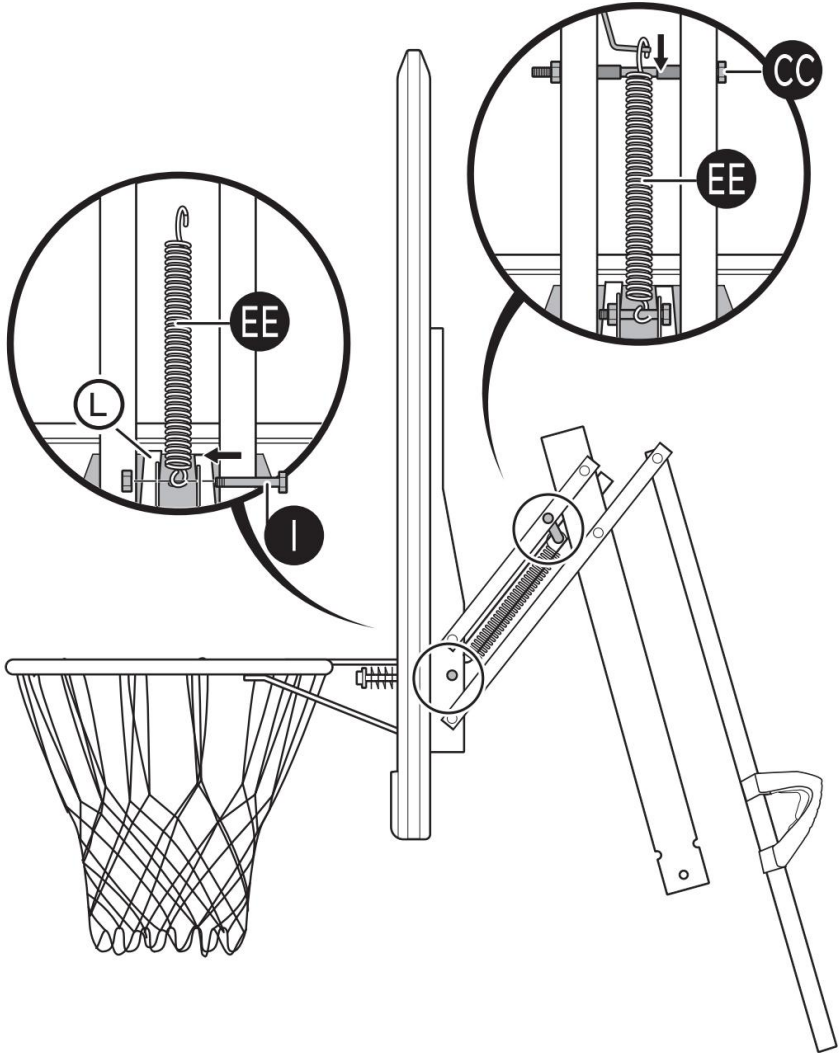


**9**

Attach the Lifting rod(R) to the ends of the Long support rods(T) with Bolt set(CC).

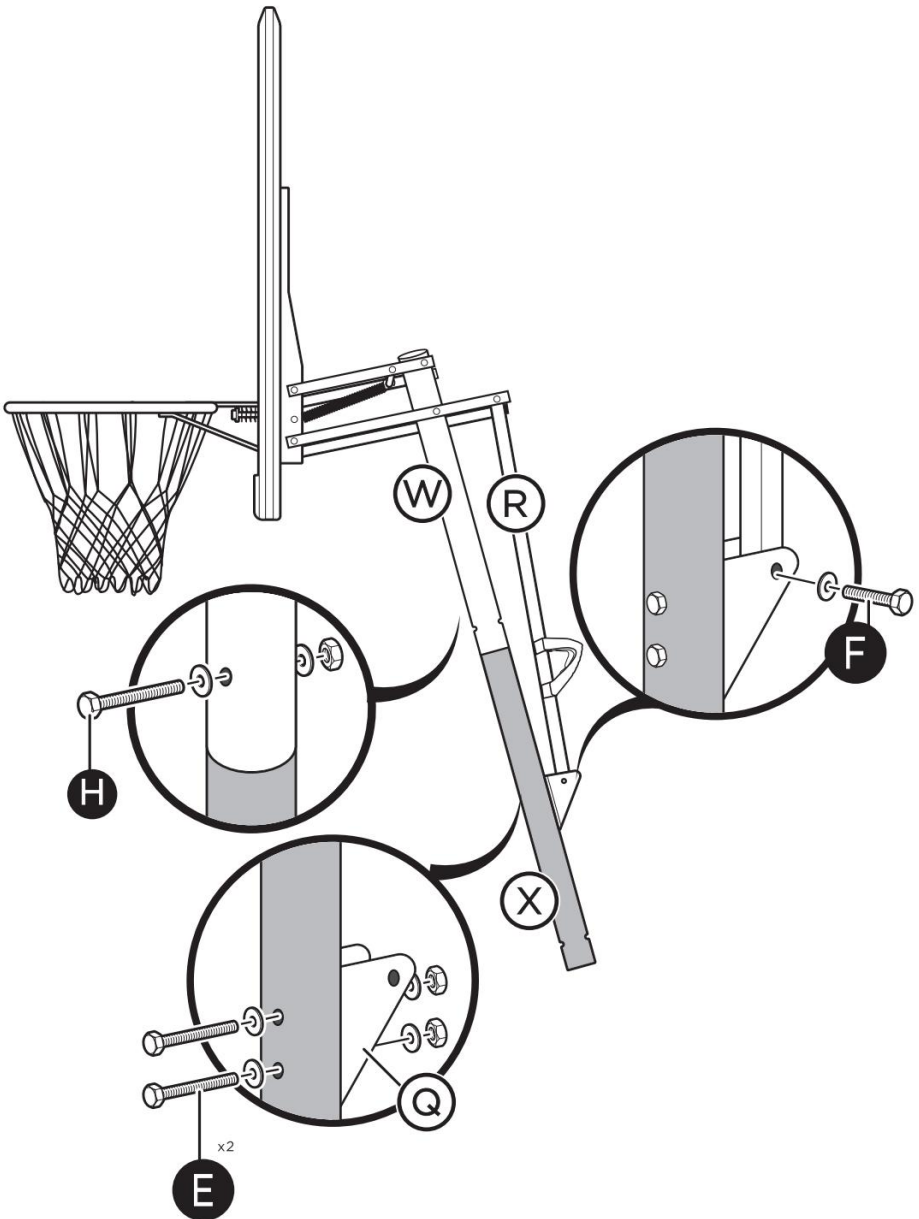


- 10** First, install bolt set (CC) at the middle hole positions of the two Short Support Rods (S). Next, insert bolt set (I) into the central hole position of the Board Bracket (L), while threading one end of the spring (EE) onto the bolt set (I). Finally, hook the white cord to the free end of the spring (EE), then apply tension to securely engage it with bolt set (CC) on the Short Support Rods (S).

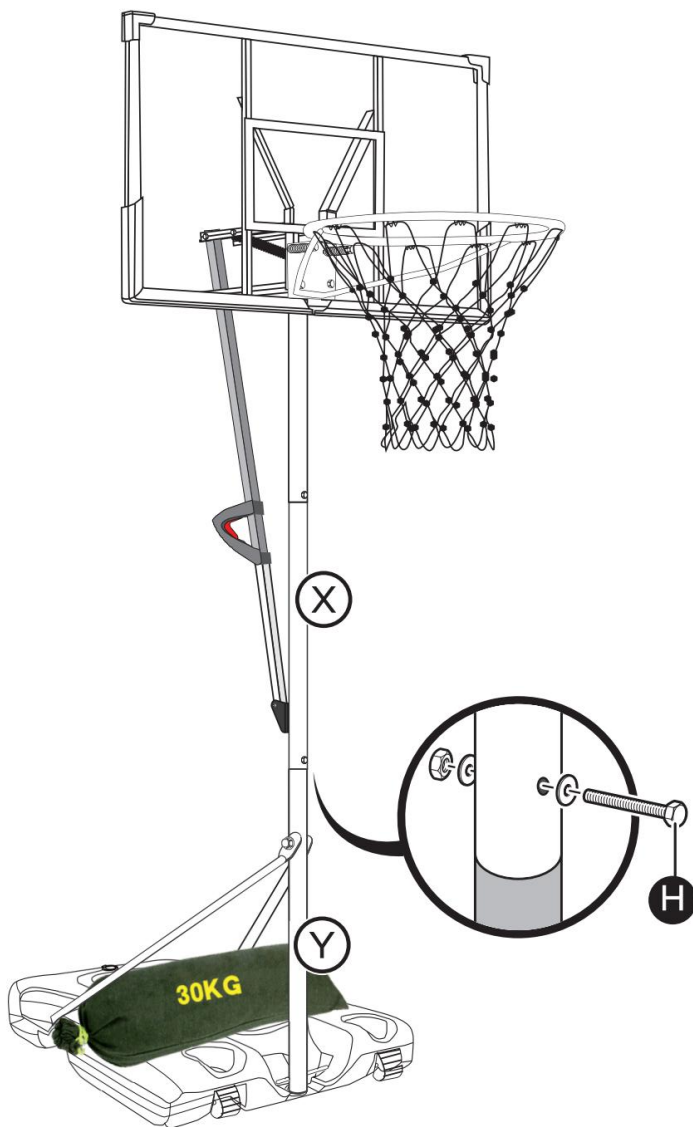


**11**

Slide the Middle pole(X) into the Top pole(W), then secure with bolt set(H). Attach the Triangular block(Q) to the Middle pole(X) with two bolt sets(E). Attach the Lifting rod(R) to the Triangular block(Q) with bolt set(F).



- 12** Insert the assembled middle pole onto the previously assembled bottom pole and connect it with bolt set(H).  
To make the basketball hoop more stable, fill the sandbag with sand and place it on the base.



**WARNUNG: Von einem Erwachsenen zusammengebaut. Beim Spielen sollten Eltern ihre Kinder stets begleiten . Nicht geeignet für Kinder unter 3 Jahren. Zu Ihrer Sicherheit nicht dunkeln oder am Basketballkorb hängen.**

**Hersteller:** Taizhou Xiangtai Sporting Goods Co., Ltd.

**Adresse:** Nr. 90, Xinghai Road, Bezirk Hailing, Taizhou, Jiangsu, China.

**Importiert nach AUS:** SIHAO PTY LTD. 1 ROKEVA STREETEASTWOOD  
NSW 2122 Australien

**Importiert in die USA:** Sanven Technology Ltd. Suite 250, 9166 Anaheim  
Place, Rancho Cucamonga, CA 91730

<b>UK</b>	<b>REP</b>
-----------	------------

YH CONSULTING LIMITED. C/O YH Consulting  
Limited Office 147, Centurion House, London  
Road, Staines-upon-Thames, Surrey, TW18 4AX

<b>EC</b>	<b>REP</b>
-----------	------------

E-CrossStu GmbH  
Mainzer Landstr.69,  
60329 Frankfurt am Main.





# **VEVOR**

**Affordable. Reliable. Home Improvement.**

**SUPPORTO PORTATILE PER CANESTRO**

**DA BASKET**

**MODELLO: X031-26ZL**

# VEVOR

Affordable. Reliable. Home Improvement.

## PORTABLE BASKETBALL STAND

MODELLO: X031-26ZL



**WARNING:**  
IMPROPER INSTALLATION  
OR SWINGING ON THE RING  
MAY CAUSE SERIOUS INJURY  
OR DEATH

Queste sono le istruzioni originali, si prega di leggere attentamente tutte le istruzioni del manuale prima dell'uso. VEVOR si riserva la piena interpretazione del proprio manuale utente. L'aspetto del prodotto dipenderà dal prodotto ricevuto. Vi preghiamo di scusarci se non vi informeremo più in caso di aggiornamenti tecnologici o software sul nostro prodotto.



Avvertenza: per ridurre il rischio di lesioni, l'utente deve leggere attentamente il manuale di istruzioni.

## ISTRUZIONI

Grazie mille per aver scelto questo canestro da basket portatile. Si prega di leggere attentamente tutte le istruzioni prima di utilizzarlo. Le informazioni ti aiuteranno a raggiungere i migliori risultati possibili.

### **AVVERTIMENTO:**

Si prega di leggere attentamente il presente manuale prima di utilizzare il prodotto. La mancata osservanza di questa precauzione può causare gravi lesioni.

### **PRECAUZIONI DI MONTAGGIO**

1. Per assemblare è necessario seguire queste istruzioni. Un montaggio non corretto può rappresentare un pericolo.
2. Indossare occhiali protettivi e guanti da lavoro resistenti durante il montaggio.
3. Non montare quando si è stanchi o sotto l'effetto di alcol, droghe o medicinali.
4. La capacità di peso e le altre caratteristiche del prodotto si applicano solo a un prodotto completamente e correttamente assemblato.
5. Mantenere l'area di assemblaggio pulita e ben illuminata.
6. Tenere gli astanti fuori dall'area durante l'assemblaggio.
7. Il montaggio deve essere effettuato solo da adulti.
8. **AVVERTENZA:** Questo prodotto contiene piccole parti. Se ingerito, può

rappresentare un rischio di soffocamento. Tenere queste piccole parti lontano dalla portata dei bambini quando assemblaggio!

### **Avviso ai partecipanti al convegno:**

Tutti i sistemi da basket, compresi quelli utilizzati per le esposizioni , devono essere assemblati e zavorrati secondo le istruzioni. La mancata osservanza delle istruzioni potrebbe causare gravi lesioni.

Si prega di leggere tutte le avvertenze e le precauzioni prima del montaggio. Si raccomanda di sorvegliare i bambini mentre giocano con questo prodotto. Questo prodotto deve essere assemblato solo da 2 adulti! Vi ringraziamo per aver acquistato uno dei nostri numerosi prodotti di qualità. Siamo certi che sarete molto soddisfatti della vostra scelta.

## **PRECAUZIONI D'USO**



### **AVVERTIMENTO:**

#### **PER PREVENIRE LESIONI GRAVI E MORTALI DOVUTE AL RIBALTAMENTO:**

1. Utilizzare solo come previsto. Non sedersi o salire sul prodotto.
2. Ispezionare prima di ogni utilizzo. Non utilizzarlo se alcune parti sono allentate o danneggiate.
3. Se qualche parte risulta mancante, rotta, danneggiata o usurata, interrompere l'uso dell'articolo finché non saranno state effettuate le riparazioni e non saranno state installate le parti di ricambio necessarie .

### **AVVERTIMENTO:**

**Per la vostra sicurezza, vi preghiamo**

# di non schiacciare o appendervi al canestro da basket.

## CONSERVARE QUESTE ISTRUZIONI

### ASSEMBLEA

#### ① AVVISO

- Leggere attentamente tutte le istruzioni prima di provare a installare o assemblare questo articolo. Il montaggio deve essere effettuato solo da adulti.
- Riconfermare che tutto bulloni, viti e manopole siano ben serrati prima di ogni utilizzo.
- Questo prodotto è destinato all'uso esterno.
- Se qualche parte risulta mancante, rotta, danneggiata o usurata, interrompere l'uso dell'articolo finché non saranno state effettuate le riparazioni e/o non saranno installate parti di ricambio di fabbrica.



# SAFETY INSTRUCTIONS



FAILURE TO FOLLOW THESE SAFETY INSTRUCTIONS MAY RESULT IN SERIOUS INJURY OR PROPERTY DAMAGE AND WILL VOID WARRANTY.

To ensure safety, do not attempt to assemble this system without following the instructions carefully. Check entire box and inside all packing material for parts and/or additional instruction material. Before beginning assembly, read the instructions and identify parts using the hardware identifier and parts list in this document. Proper and complete assembly, use, and supervision are essential for proper operation and to reduce the risk of accident or injury. A high probability of serious injury exists if this system is not installed, maintained, and operated properly.

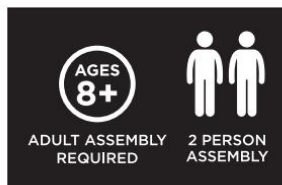
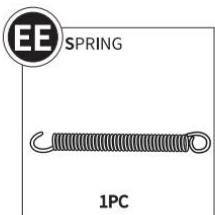
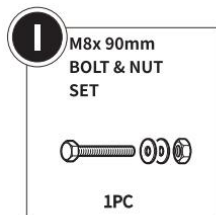
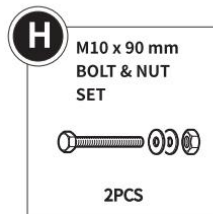
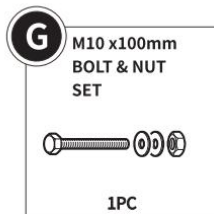
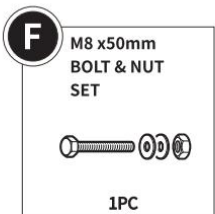
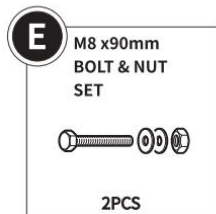
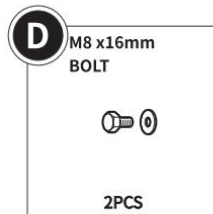
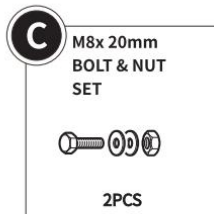
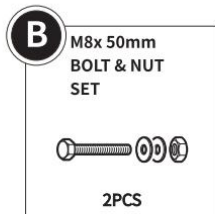
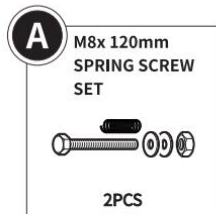
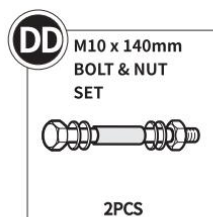
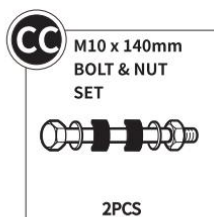
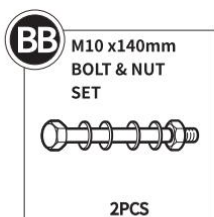
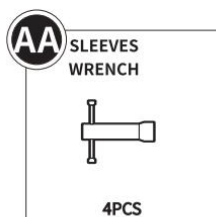
- If using a ladder during assembly, use extreme caution.
- 2 capable adults are recommended for this operation.
- Check base daily for leakage. Leaks will cause system to fall.
- Assemble the pole sections properly (if applicable). Failure to do so could cause the pole sections to separate during play or transport.
- The adjustable height from rim to floor is 1.15-2.1 m.

## **AVVERTIMENTO**

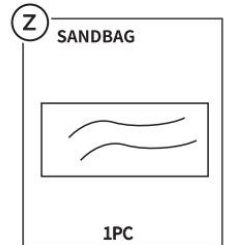
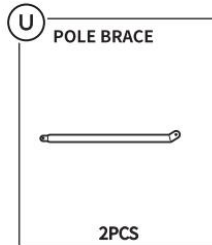
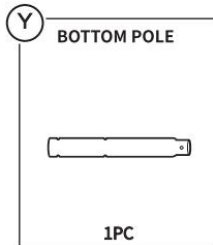
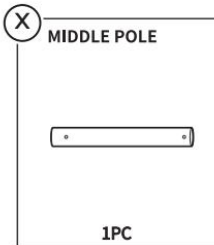
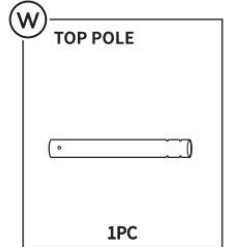
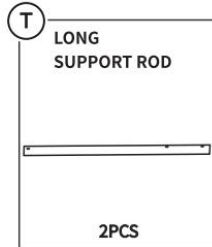
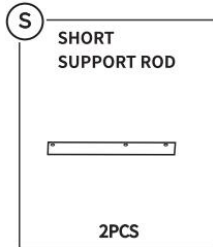
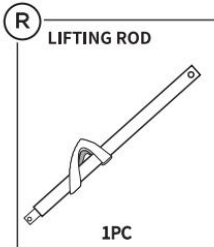
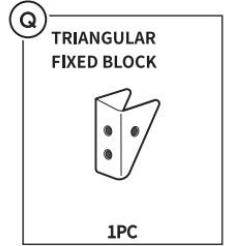
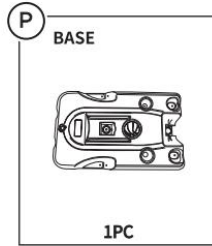
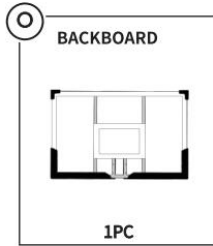
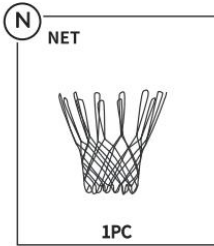
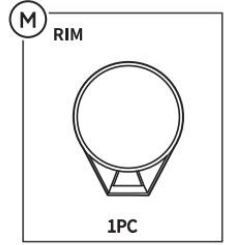
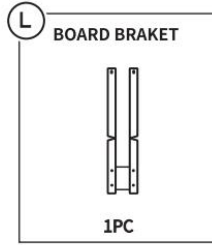
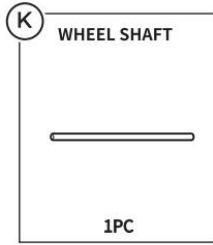
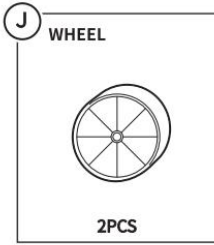
- Non scivolare, arrampicarsi o giocare sulla base o sul palo.
- Riempire completamente la base secondo le istruzioni del produttore o l'articolo sarà ribaltarsi rapidamente , causando gravi lesioni personali.
- Non permettere ai bambini di spostare o regolare l'articolo.
- La superficie sotto la base deve essere liscia e priva di ghiaia o altri oggetti. Le forature possono causare perdite e potrebbero causare il ribaltamento dell'oggetto.
- Controllare una volta al mese la presenza di ruggine sul palo e su tutte le parti metalliche . Rimuovere completamente la ruggine e riverniciare con smalto per esterni. Se la ruggine è penetrata in una qualsiasi parte in acciaio, sostituirla immediatamente.
- Controllare l'articolo prima di ogni utilizzo per verificare la corretta zavorra, sciolto hardware, instabilità, e segni di corrosione , e ripararli prima di ogni utilizzo . Non giocare mai su attrezzature danneggiate.
- Non salire sulla base o sulla struttura in generale, poiché ciò potrebbe causare gravi lesioni.
- Non esagerare stringere la ferramenta poiché ciò potrebbe danneggiare la struttura del prodotto.

- La regolazione e lo spostamento del set da basket devono essere effettuati da adulti.
- Posizionare sempre la base del set su una superficie piana.
- Per il montaggio del set sono necessarie due persone.
- Prima di giocare, controllare regolarmente la base per verificare che non vi siano perdite.

## HARDWARE

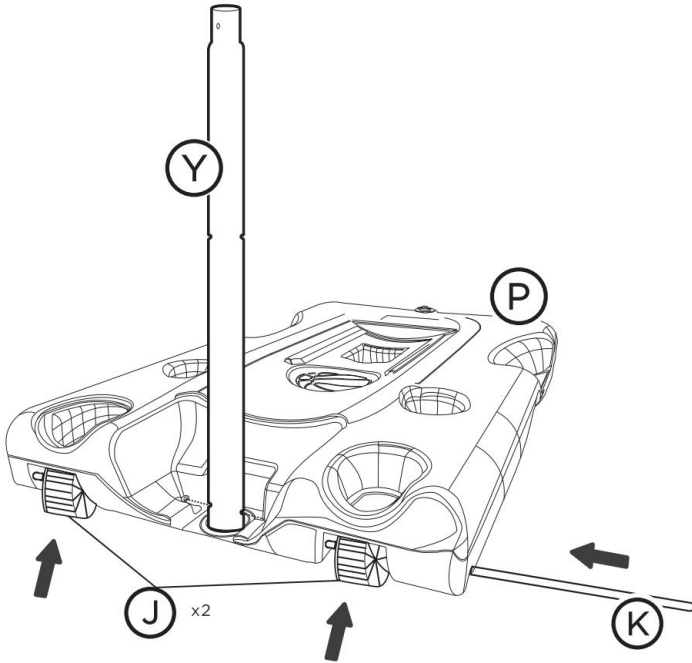


# PARTS

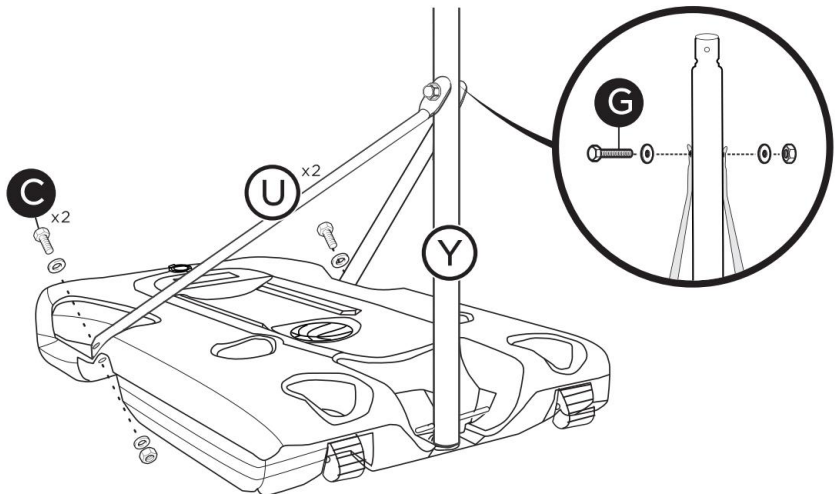


**1**

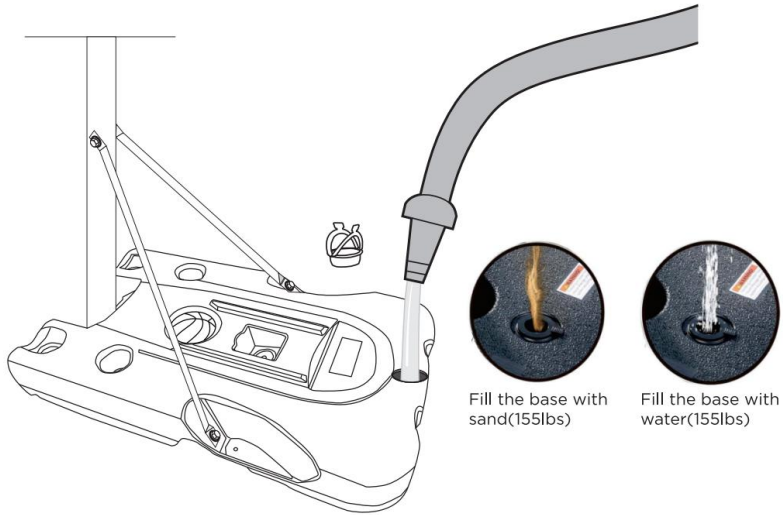
Locate the Base(P) and insert the Bottom pole(Y). Use the Wheel shaft(K) to attach Wheels(J). Place the wheels into the recesses on the front of the base then slide wheel shaft through the hole on the side, The shaft passes through the base, wheel, bottom pole, and then through the other wheel.

**2**

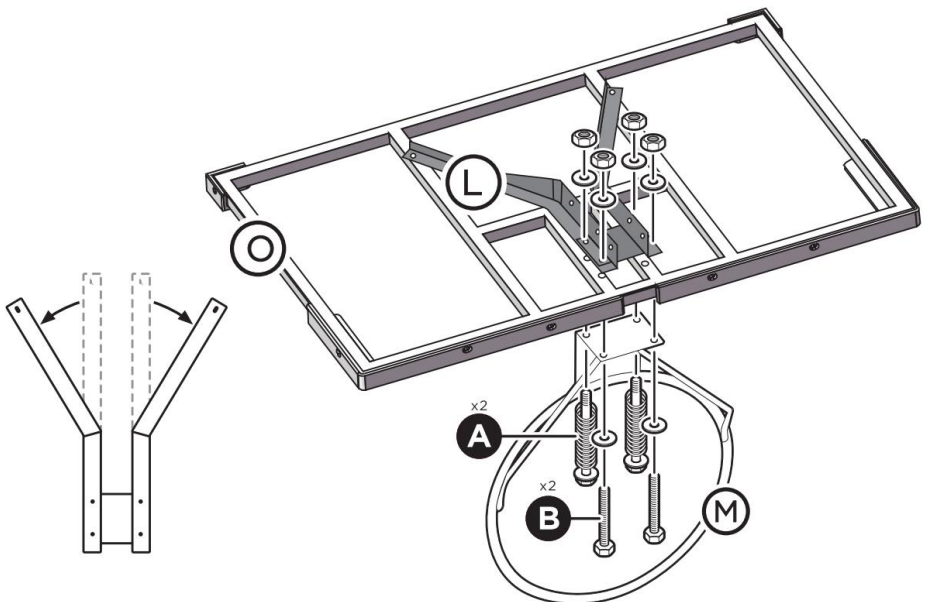
Attach two Pole braces(U) to the Bottom pole(Y) with one bolt set(G). Attach the Pole braces(U) to the Base(P) with two bolt sets(C).



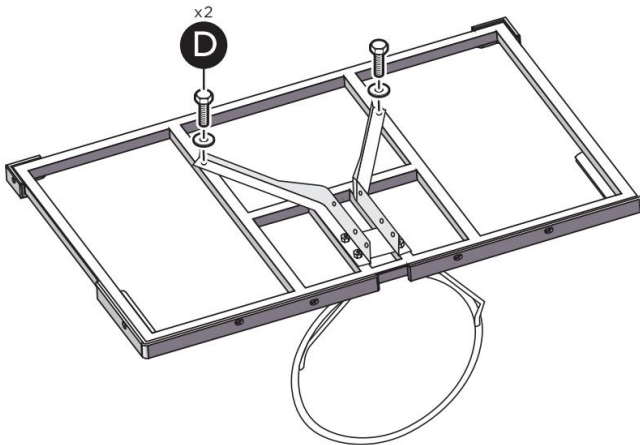
- 3** Move the base to the right position, add water or sand.  
NOTE: Do not mix sand and water



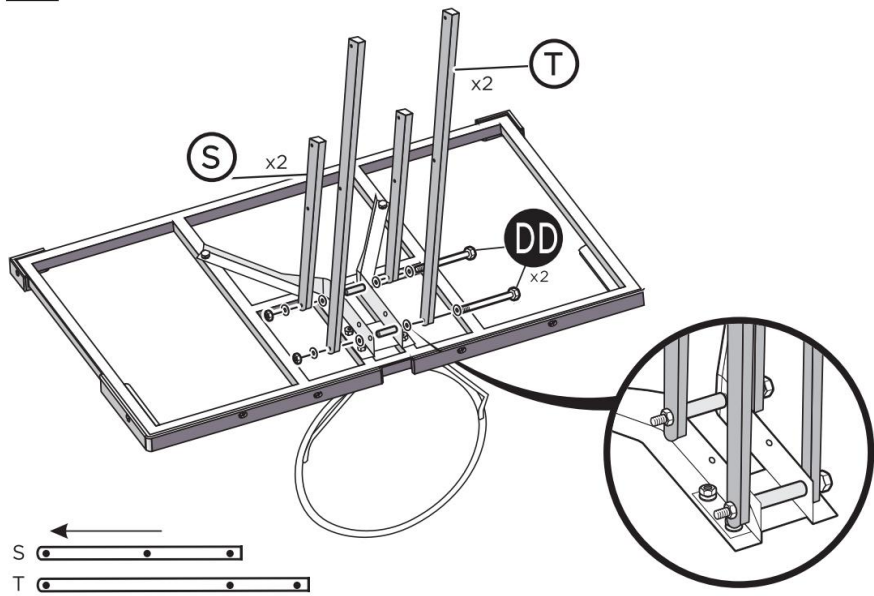
- 4** Locate the Board bracket(L), then gently bend the two tines into a y shape. Attach the Rim(M) and Board bracket(L) to the Backboard(O) with two Bolt sets(A) and two Bolt sets(B). Use the Bolts(A) in the top holes of the Rim(M) and the Bolts(B) for the bottom holes.



**5** Attach Board bracket(L) to the back of the Backboard(O) with two bolts(D).



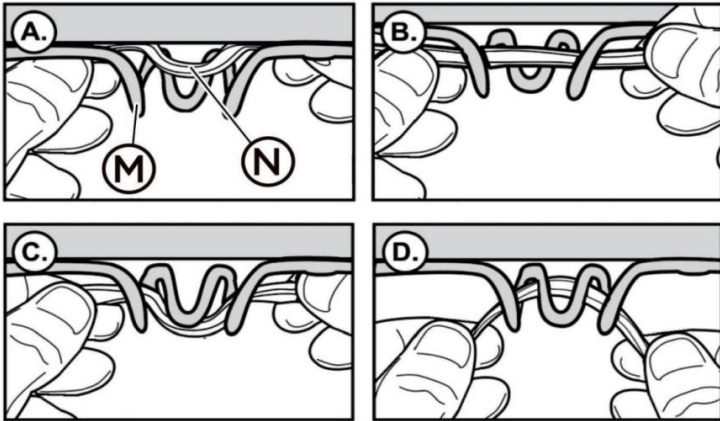
**6** Fix the short support rod(S) and long support rod(T) with the Board bracket(L) with two Bolts(DD).



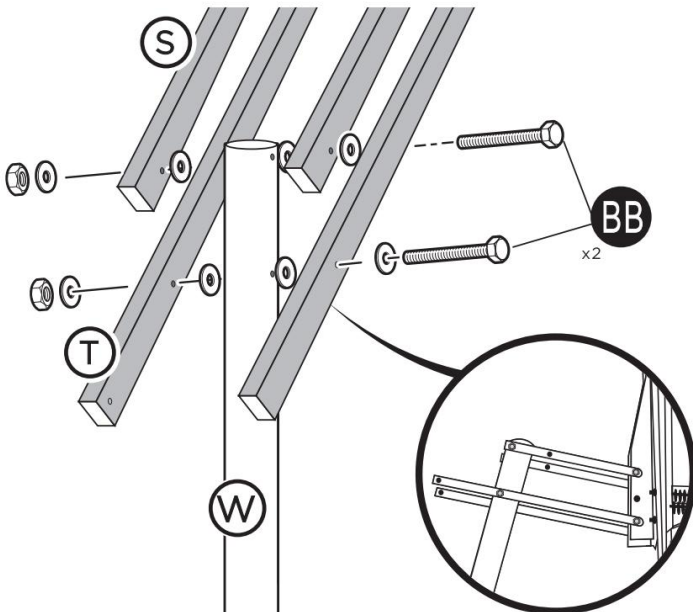
This Round head end shall be oriented toward the backboard as illustrated. Please note the hole positions.

**7**

Attach the Net(N) to the Rim(M) as shown:

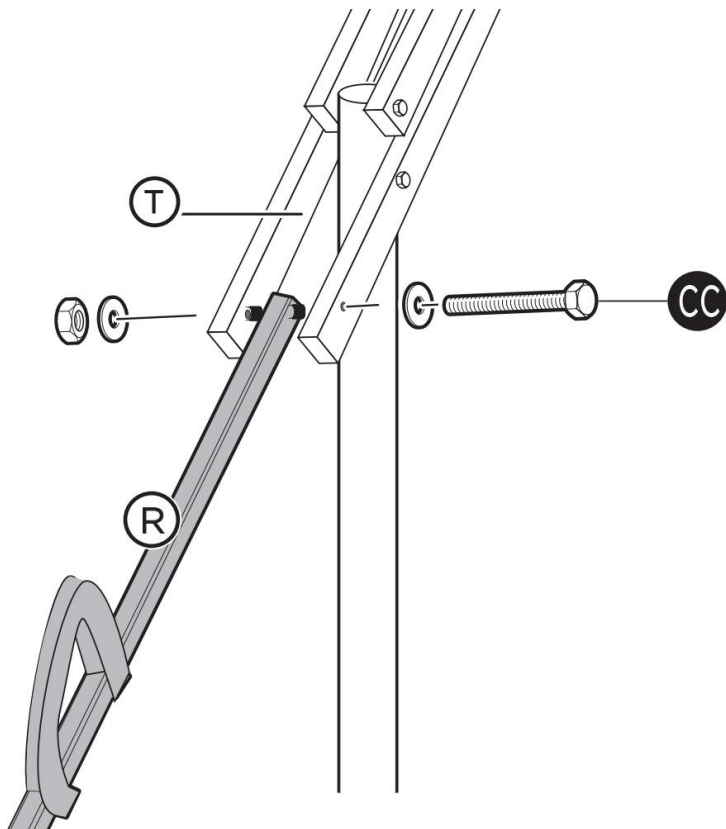
**8**

Attach the Short support rods(S) to the Top pole(W) with Bolt set(BB).  
Attach the Long support rods(T) to the Top pole(W) with Bolt set(BB).

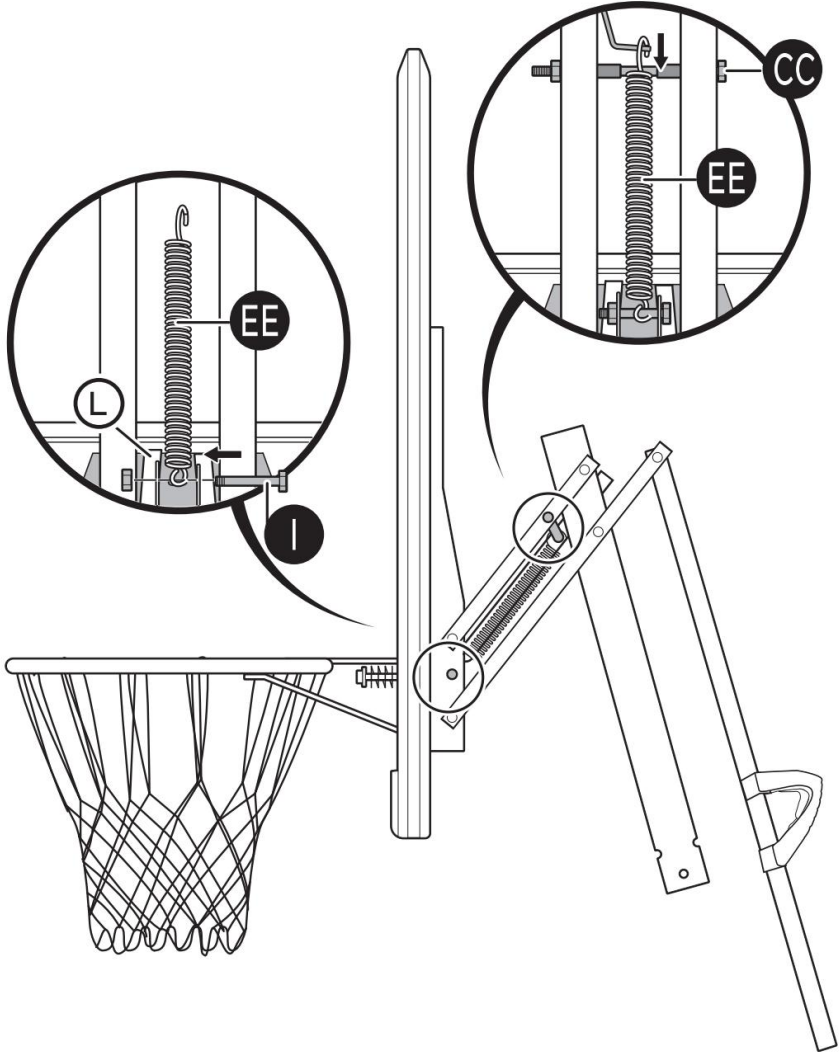


**9**

Attach the Lifting rod(R) to the ends of the Long support rods(T) with Bolt set(CC).

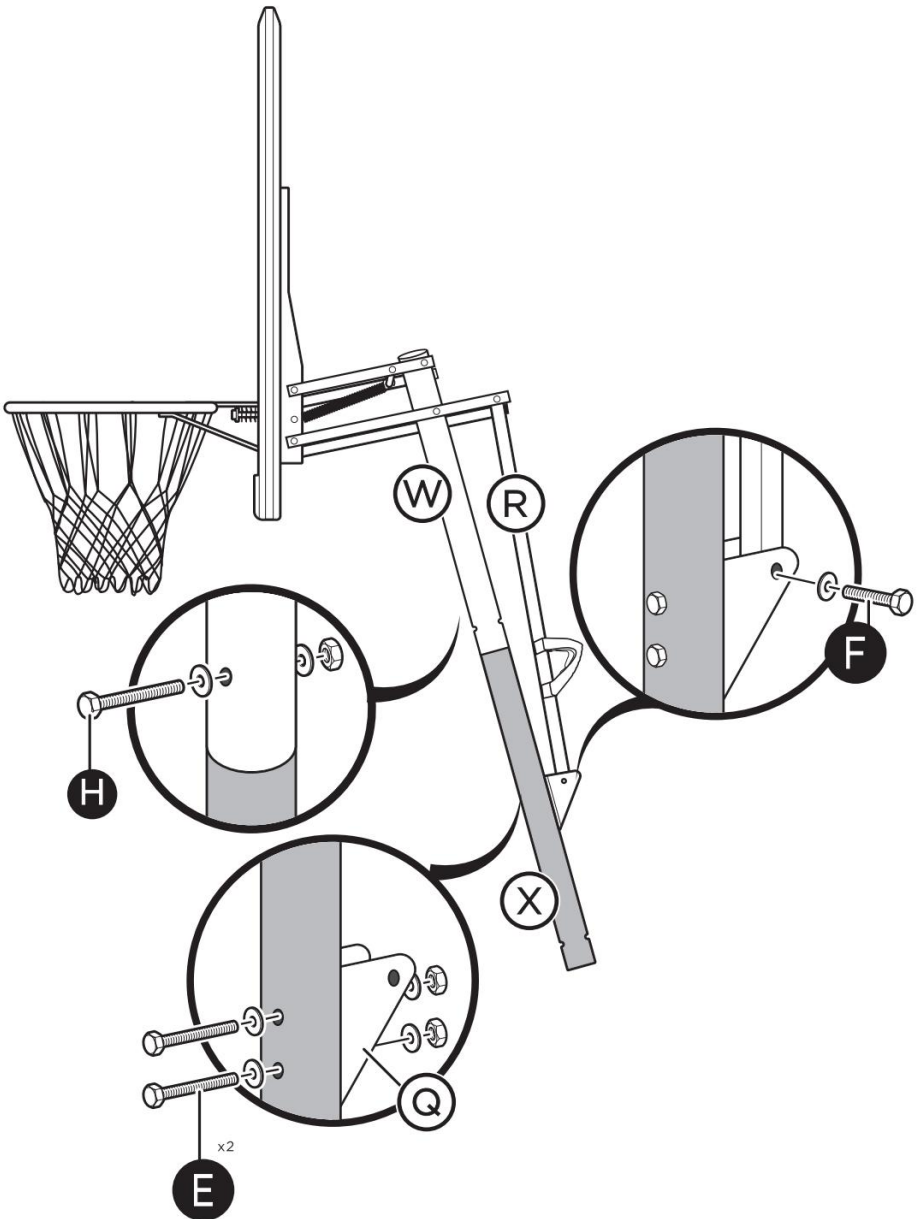


- 10** First, install bolt set (CC) at the middle hole positions of the two Short Support Rods (S). Next, insert bolt set (I) into the central hole position of the Board Bracket (L), while threading one end of the spring (EE) onto the bolt set (I). Finally, hook the white cord to the free end of the spring (EE), then apply tension to securely engage it with bolt set (CC) on the Short Support Rods (S).

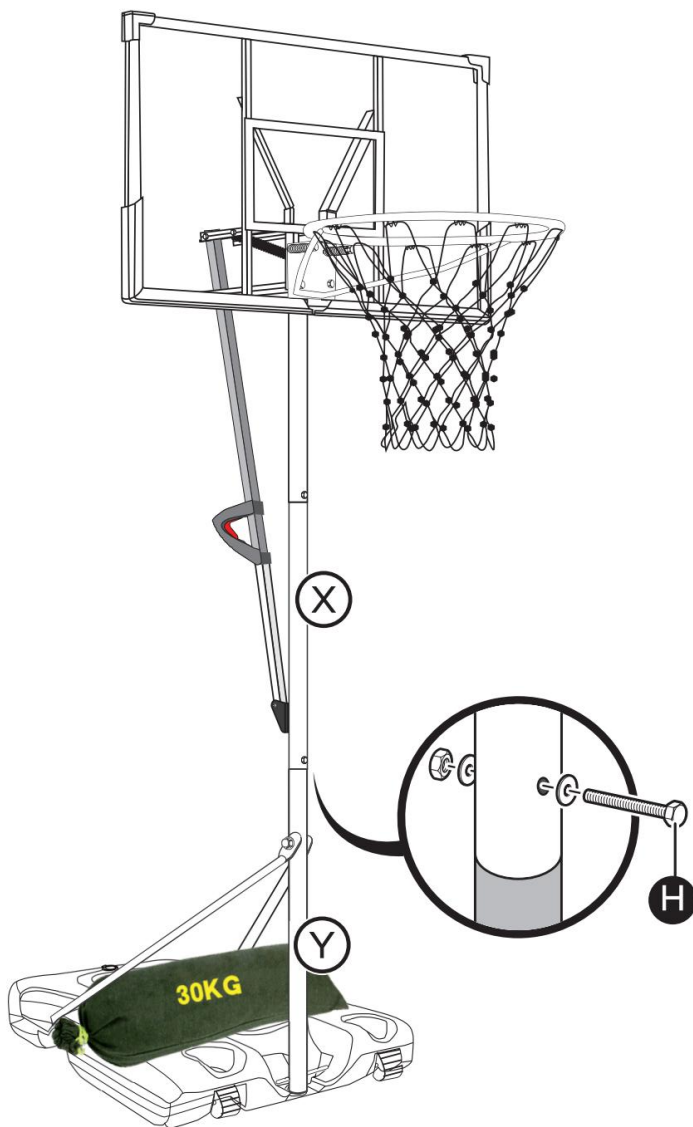


**11**

Slide the Middle pole(X) into the Top pole(W), then secure with bolt set(H). Attach the Triangular block(Q) to the Middle pole(X) with two bolt sets(E). Attach the Lifting rod(R) to the Triangular block(Q) with bolt set(F).



- 12** Insert the assembled middle pole onto the previously assembled bottom pole and connect it with bolt set(H).  
To make the basketball hoop more stable, fill the sandbag with sand and place it on the base.



**ATTENZIONE: Assemblato da un adulto. Durante il gioco, i genitori devono sempre accompagnare i propri bambini. Non adatto a bambini di età inferiore a 3 anni. Per la vostra sicurezza, non schiacciare o appendersi al canestro da basket.**

**Produttore:** Taizhou Xiangtai Sporting Goods Co., Ltd.

**Indirizzo:** #90, Xinghai Road, distretto di Hailing, Taizhou, Jiangsu, Cina.

**Importato in AUS:** SIHAO PTY LTD. 1 ROKEVA STREETEASTWOOD  
NSW 2122 Australia

**Importato negli USA:** Sanven Technology Ltd. Suite 250, 9166 Anaheim  
Place, Rancho Cucamonga, CA 91730

<b>UK</b>	<b>REP</b>
-----------	------------

YH CONSULTING LIMITED. C/O YH Consulting  
Limited Office 147, Centurion House, London  
Road, Staines-upon-Thames, Surrey, TW18 4AX

<b>EC</b>	<b>REP</b>
-----------	------------

E-CrossStu GmbH  
Mainzer Landstr.69,  
60329 Frankfurt am Main.





# **VEVOR**

**Affordable. Reliable. Home Improvement.**

## **CANASTA DE BALONCESTO PORTÁTIL**

**MODELO: X031-26ZL**

# VEVOR

Affordable. Reliable. Home Improvement.

## PORTABLE BASKETBALL STAND

MODELO: X031-26ZL



**WARNING:**  
IMPROPER INSTALLATION  
OR SWINGING ON THE RING  
MAY CAUSE SERIOUS INJURY  
OR DEATH

Estas son las instrucciones originales; lea atentamente todas las instrucciones del manual antes de utilizarlo. VEVOR se reserva el derecho de interpretar este manual de usuario. La apariencia del producto dependerá del producto que haya recibido. Le rogamos que nos disculpe si no le informamos de nuevo si hay actualizaciones tecnológicas o de software en nuestro producto.



Advertencia: Para reducir el riesgo de lesiones, el usuario debe leer atentamente el manual de instrucciones.

## INSTRUCCIONES

Muchas gracias por elegir este soporte de baloncesto portátil. Lea todas las instrucciones antes de usarlo. La información le ayudará a conseguir los mejores resultados posibles.

## ADVERTENCIA:

Lea este manual detenidamente antes de utilizar el producto. De no hacerlo se podrían producir lesiones graves.

## PRECAUCIONES DE MONTAJE

1. Para el montaje es necesario seguir estas instrucciones. Un montaje incorrecto puede suponer un peligro.
2. Use gafas de seguridad y guantes de trabajo resistentes durante el montaje.
3. No realice el montaje cuando esté cansado o bajo la influencia de alcohol, drogas o medicamentos.
4. La capacidad de peso y otras capacidades del producto solo se aplican a un producto ensamblado completa y correctamente.
5. Mantenga el área de montaje limpia y bien iluminada.
6. Mantenga a los transeúntes fuera del área durante el montaje.
7. El montaje deberá ser realizado únicamente por adultos.
8. **ADVERTENCIA:** Este producto contiene piezas pequeñas. En caso de ingestión, puede producirse peligro de asfixia. Mantenga estas piezas

pequeñas fuera del alcance de los niños cuando  
¡ensamblaje!

### **Aviso a los ensambladores:**

Todos los sistemas de baloncesto, incluidos los utilizados para exhibiciones, deben ensamblarse y lastrarse de acuerdo con las instrucciones. No seguir las instrucciones podría provocar lesiones graves. Lea todas las advertencias y precauciones antes de realizar el montaje. Se recomienda supervisar a los niños mientras juegan con este producto. ¡Este producto debe ser ensamblado únicamente por 2 adultos! Apreciamos su compra de uno de nuestros excelentes productos. Estamos seguros de que quedará muy satisfecho con su selección.

## **PRECAUCIONES DE USO**



### **ADVERTENCIA:**

#### **PARA EVITAR LESIONES GRAVES Y LA MUERTE POR VUELCO:**

1. Úselo únicamente según lo previsto. No se sienta ni se pare sobre el producto.
2. Inspeccione antes de cada uso. No lo utilice si las piezas están sueltas o dañadas.
3. Si alguna pieza falta, está rota, dañada o desgastada, deje de usar este artículo hasta que se realicen las reparaciones y se instalen las piezas de repuesto originales.

### **ADVERTENCIA:**

**Por su seguridad, no sumerja ni se cuelgue del aro de baloncesto.**

# GUARDE ESTAS INSTRUCCIONES

## ASAMBLEA

### ① AVISO

- Lea todas las instrucciones antes de intentar instalar o ensamblar este artículo. El montaje debe ser realizado únicamente por adultos.
- Reconfirmar que todo Los pernos, tornillos y perillas están asegurados antes de cada uso.
- Este producto está destinado para uso en exteriores.
- Si faltan piezas, están rotas, dañadas o desgastadas, deje de usar este artículo hasta que se realicen las reparaciones y/o se instalen las piezas de repuesto de fábrica.



## SAFETY INSTRUCTIONS



FAILURE TO FOLLOW THESE SAFETY INSTRUCTIONS MAY RESULT IN SERIOUS INJURY OR PROPERTY DAMAGE AND WILL VOID WARRANTY.

To ensure safety, do not attempt to assemble this system without following the instructions carefully. Check entire box and inside all packing material for parts and/or additional instruction material. Before beginning assembly, read the instructions and identify parts using the hardware identifier and parts list in this document. Proper and complete assembly, use, and supervision are essential for proper operation and to reduce the risk of accident or injury. A high probability of serious injury exists if this system is not installed, maintained, and operated properly.

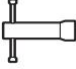
- If using a ladder during assembly, use extreme caution.
- 2 capable adults are recommended for this operation.
- Check base daily for leakage. Leaks will cause system to fall.
- Assemble the pole sections properly (if applicable). Failure to do so could cause the pole sections to separate during play or transport.
- The adjustable height from rim to floor is 1.15-2.1 m.

## **ADVERTENCIA**

- No se deslice, trepe ni juegue sobre la base o el poste.
- Llene completamente la base de acuerdo con las instrucciones del fabricante o el artículo se romperá. volcarse rápidamente y causar lesiones personales graves.
- No permita que los niños muevan o ajusten el artículo.
- La superficie debajo de la base debe ser lisa y libre de grava u otros objetos. Los pinchazos pueden causar fugas y podría provocar que el artículo se vuelque.
- Revise el poste y todas las piezas metálicas una vez al mes para detectar óxido . Elimine completamente el óxido y repinte con esmalte para exteriores. Si el óxido ha penetrado en alguna pieza de acero, reemplace esa pieza inmediatamente.
- Compruebe el artículo antes de cada uso para comprobar que el balasto es adecuado. perder hardware, inestabilidad, y signos de corrosión , y reparar antes de cada uso . Nunca juegues en equipos dañados.
- No se suba a la base ni a la estructura en general, ya que esto podría provocar lesiones graves.
- No te excedas Apriete los tornillos ya que esto puede dañar la estructura del producto.
- El ajuste y movimiento del juego de baloncesto deberá ser realizado por adultos.
- Coloque siempre la base del conjunto sobre una superficie plana.
- El conjunto requiere dos personas para su montaje.
- Revise periódicamente la base para detectar posibles fugas antes de jugar.


# HARDWARE

**AA** SLEEVES  
WRENCH




4PCS

**BB** M10 x140mm  
BOLT & NUT  
SET




2PCS

**CC** M10 x 140mm  
BOLT & NUT  
SET



2PCS

**DD** M10 x 140mm  
BOLT & NUT  
SET




2PCS

**A** M8x 120mm  
SPRING SCREW  
SET




2PCS

**B** M8x 50mm  
BOLT & NUT  
SET




2PCS

**C** M8x 20mm  
BOLT & NUT  
SET



2PCS

**D** M8 x16mm  
BOLT



2PCS

**E** M8 x90mm  
BOLT & NUT  
SET




2PCS

**F** M8 x50mm  
BOLT & NUT  
SET




1PC

**G** M10 x100mm  
BOLT & NUT  
SET




1PC

**H** M10 x 90 mm  
BOLT & NUT  
SET




2PCS

**I** M8x 90mm  
BOLT & NUT  
SET



1PC

**EE** SPRING



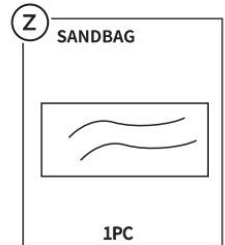
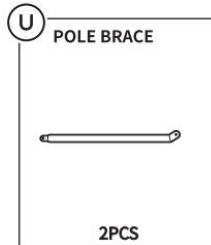
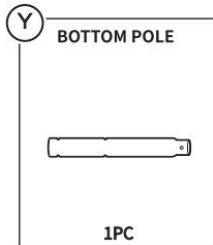
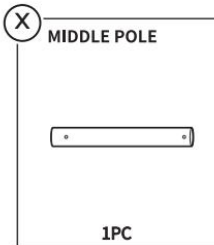
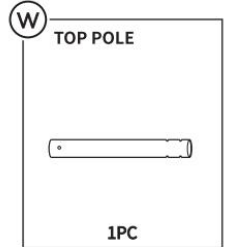
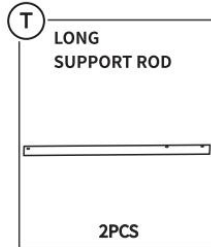
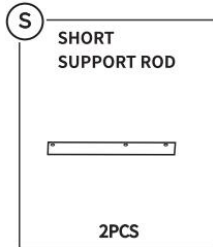
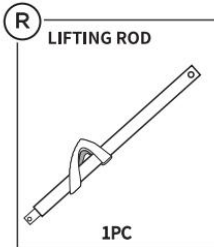
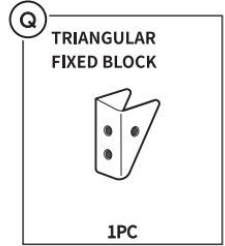
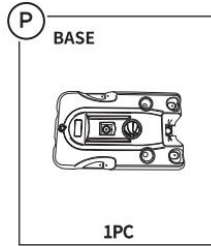
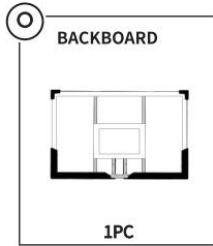
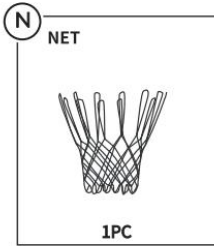
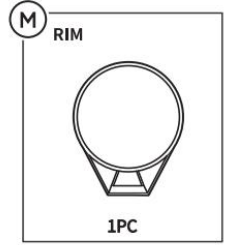
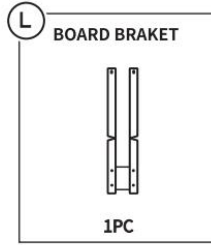
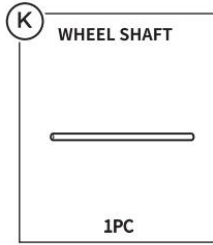
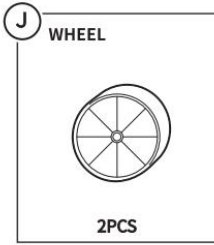
1PC

**AGES 8+**  
ADULT ASSEMBLY  
REQUIRED

**2 PERSON  
ASSEMBLY**

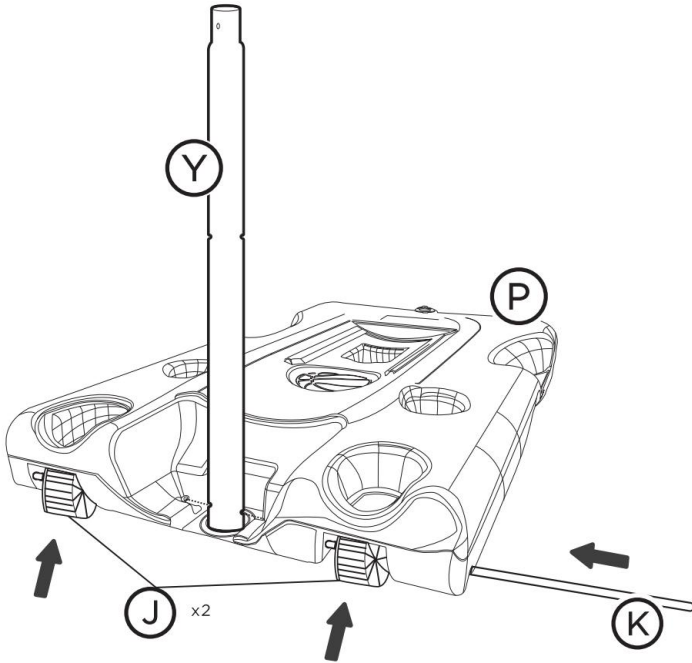


# PARTS

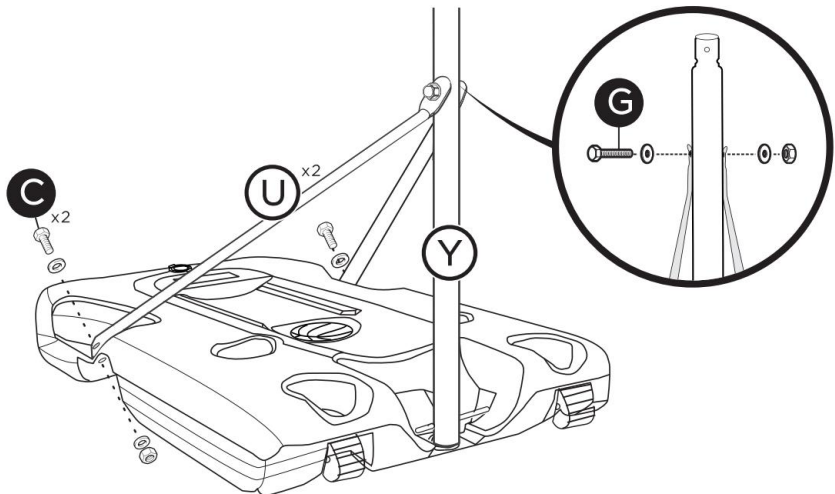


**1**

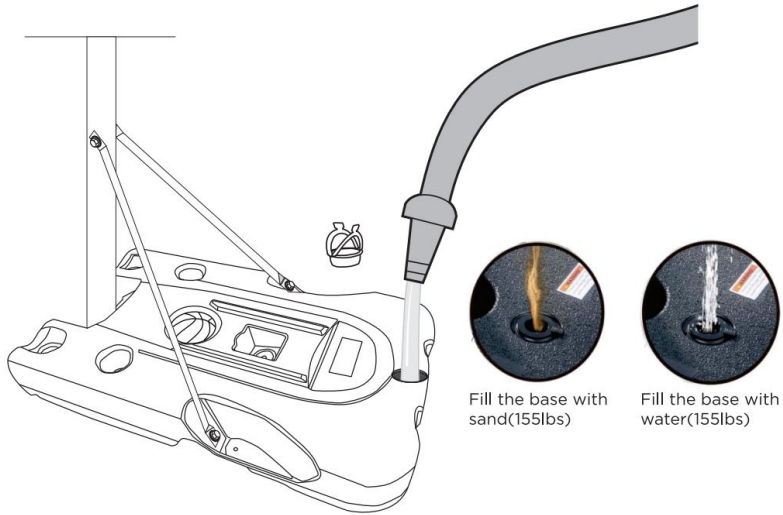
Locate the Base(P) and insert the Bottom pole(Y). Use the Wheel shaft(K) to attach Wheels(J). Place the wheels into the recesses on the front of the base then slide wheel shaft through the hole on the side, The shaft passes through the base, wheel, bottom pole, and then through the other wheel.

**2**

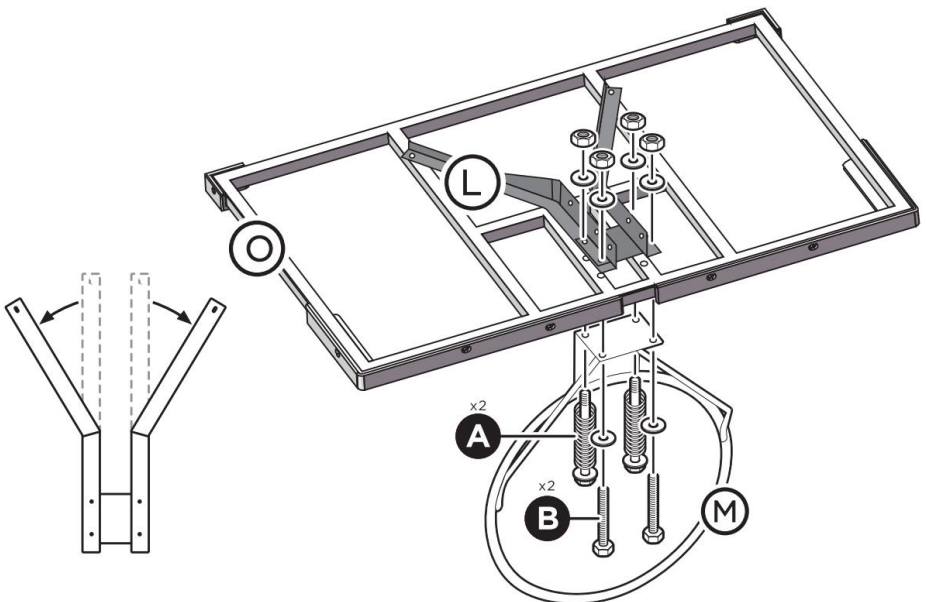
Attach two Pole braces(U) to the Bottom pole(Y) with one bolt set(G). Attach the Pole braces(U) to the Base(P) with two bolt sets(C).



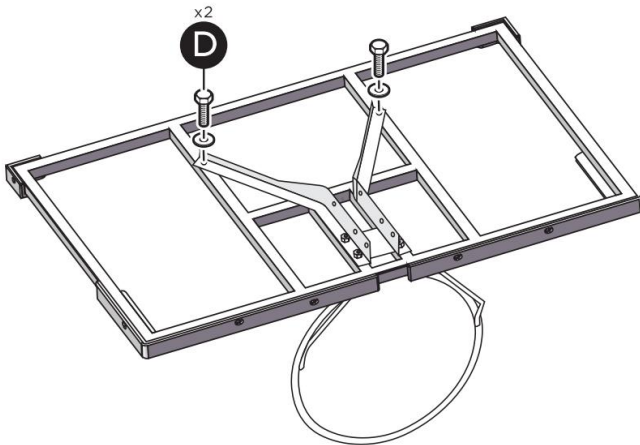
- 3** Move the base to the right position, add water or sand.  
NOTE: Do not mix sand and water



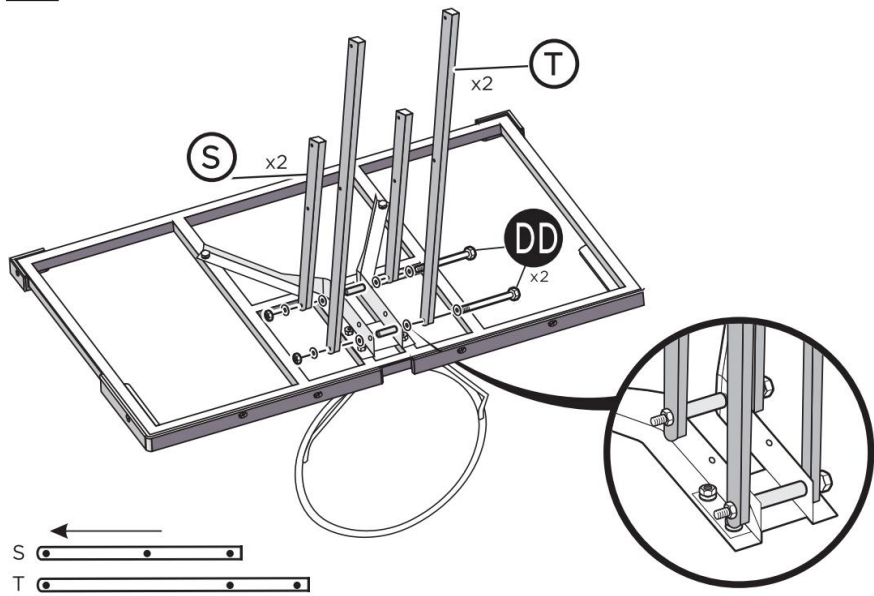
- 4** Locate the Board bracket(L), then gently bend the two tines into a y shape. Attach the Rim(M) and Board bracket(L) to the Backboard(O) with two Bolt sets(A) and two Bolt sets(B). Use the Bolts(A) in the top holes of the Rim(M) and the Bolts(B) for the bottom holes.



**5** Attach Board bracket(L) to the back of the Backboard(O) with two bolts(D).



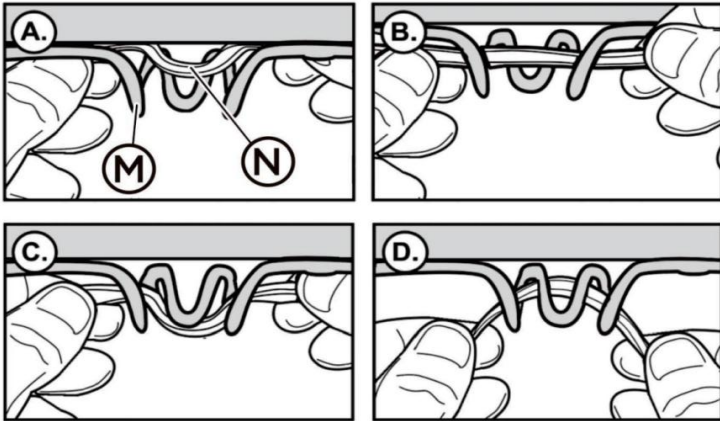
**6** Fix the short support rod(S) and long support rod(T) with the Board bracket(L) with two Bolts(DD).



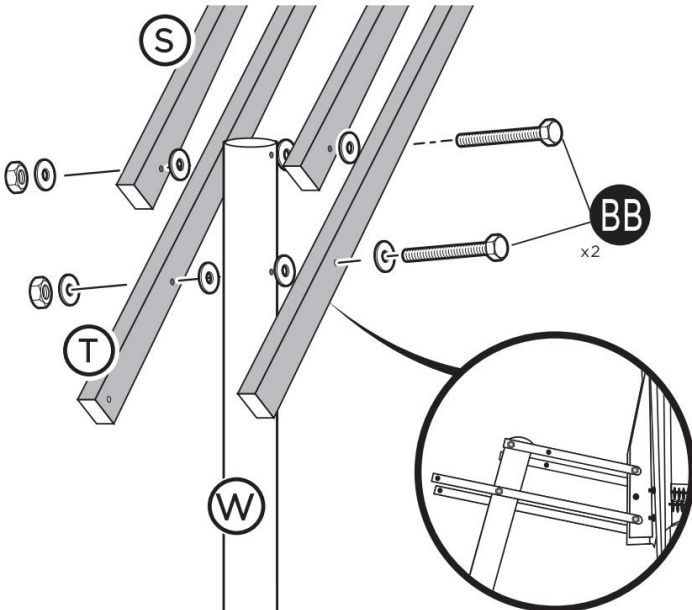
This Round head end shall be oriented toward the backboard as illustrated. Please note the hole positions.

**7**

Attach the Net(N) to the Rim(M) as shown:

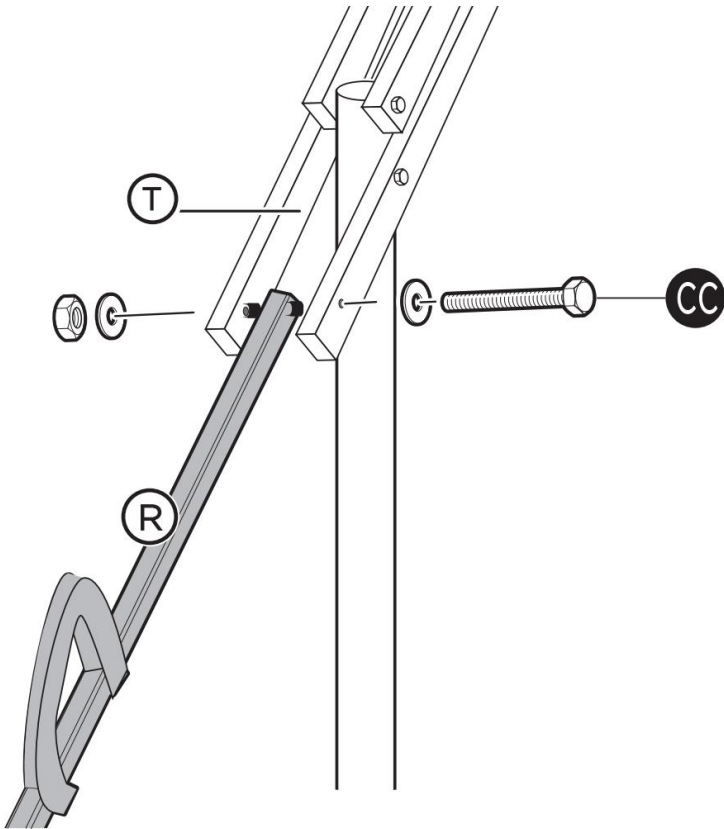
**8**

Attach the Short support rods(S) to the Top pole(W) with Bolt set(BB).  
Attach the Long support rods(T) to the Top pole(W) with Bolt set(BB).

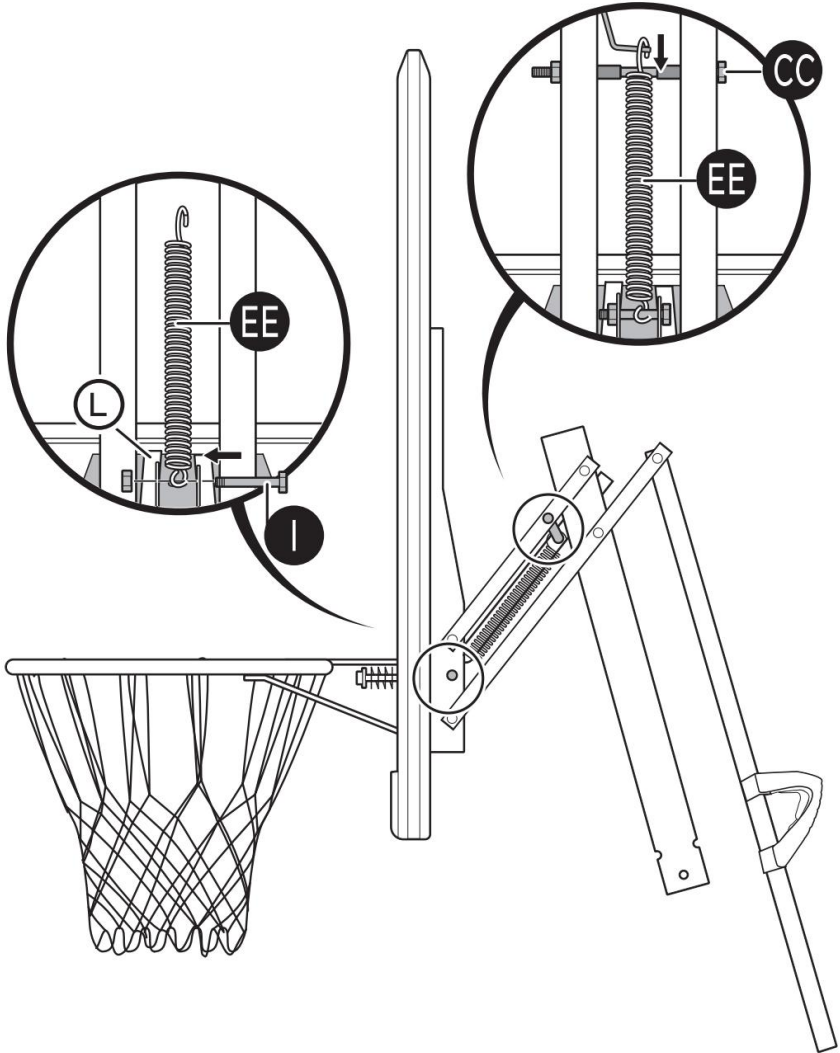


**9**

Attach the Lifting rod(R) to the ends of the Long support rods(T) with Bolt set(CC).

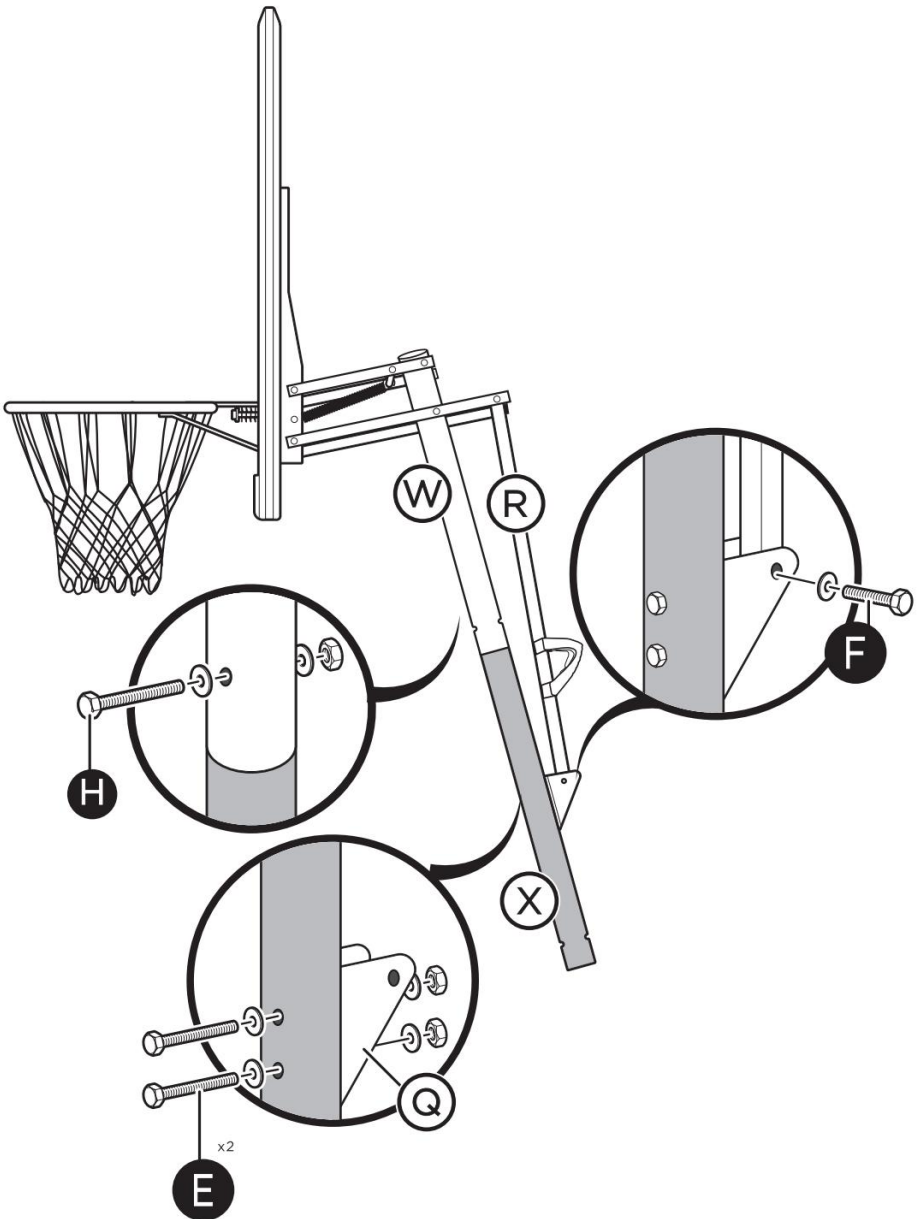


- 10** First, install bolt set (CC) at the middle hole positions of the two Short Support Rods (S). Next, insert bolt set (I) into the central hole position of the Board Bracket (L), while threading one end of the spring (EE) onto the bolt set (I). Finally, hook the white cord to the free end of the spring (EE), then apply tension to securely engage it with bolt set (CC) on the Short Support Rods (S).

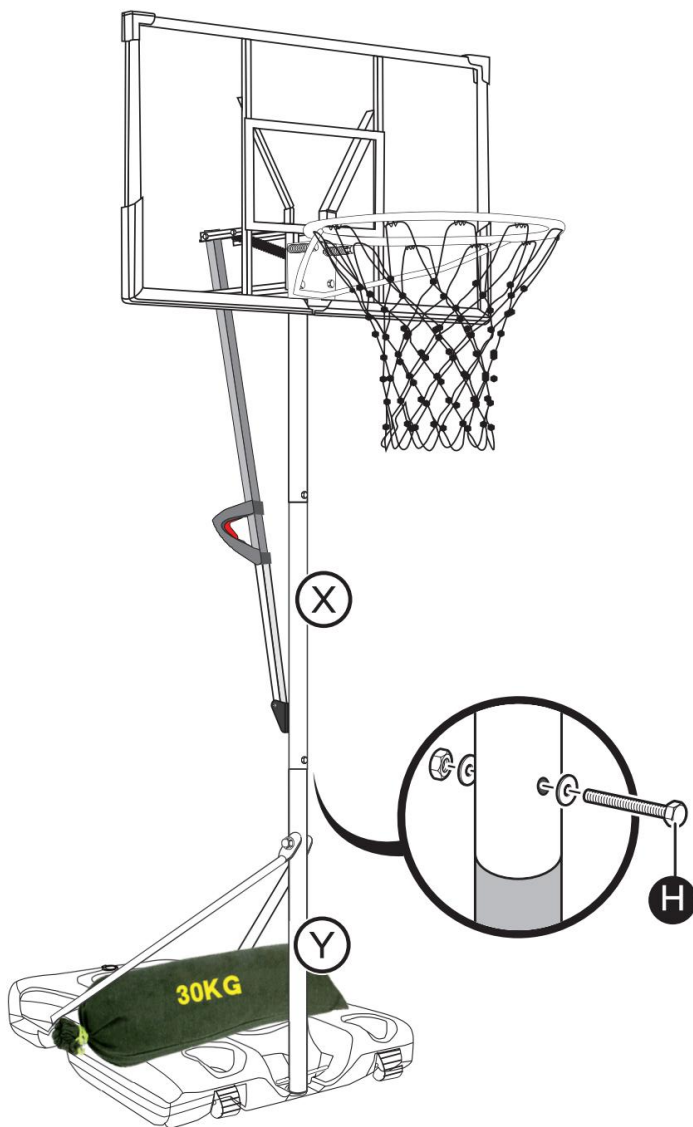


**11**

Slide the Middle pole(X) into the Top pole(W), then secure with bolt set(H). Attach the Triangular block(Q) to the Middle pole(X) with two bolt sets(E). Attach the Lifting rod(R) to the Triangular block(Q) with bolt set(F).



- 12** Insert the assembled middle pole onto the previously assembled bottom pole and connect it with bolt set(H).  
To make the basketball hoop more stable, fill the sandbag with sand and place it on the base.



**ADVERTENCIA: Debe ser montado por un adulto. Durante el juego, los padres deben acompañar siempre a sus hijos. No apto para menores de 3 años. Por su seguridad, No mates ni te cuelgues del aro de baloncesto.**

**Fabricante:** Taizhou Xiangtai Sporting Goods Co., Ltd.

**Dirección:** #90, Xinghai Road, Hailing District, Taizhou, Jiangsu, China.

**Importado a AUS:** SIHAO PTY LTD. 1 ROKEVA STREET, EASTWOOD, NSW 2122, Australia

**Importado a EE. UU.:** Sanven Technology Ltd. Suite 250, 9166 Anaheim Place, Rancho Cucamonga, CA 91730

<b>UK</b>	<b>REP</b>
-----------	------------

YH CONSULTING LIMITED. C/O YH Consulting  
Limited Office 147, Centurion House, London  
Road, Staines-upon-Thames, Surrey, TW18 4AX

<b>EC</b>	<b>REP</b>
-----------	------------

E-CrossStu GmbH  
Mainzer Landstr.69,  
60329 Frankfurt am Main.





# VEVOR

**Affordable. Reliable. Home Improvement.**

## **PRZENOŚNY STOJAK DO KOSZYKÓWKI**

**MODEL: X031-26ZL**

# VEVOR

Affordable. Reliable. Home Improvement.

## PORTABLE BASKETBALL STAND

MODEL: X031-26ZL



**WARNING:**  
IMPROPER INSTALLATION  
OR SWINGING ON THE RING  
MAY CAUSE SERIOUS INJURY  
OR DEATH

To jest oryginalna instrukcja obsługi. Przed użyciem prosimy o dokładne zapoznanie się z treścią instrukcji. Firma VEVOR zastrzega sobie prawo do jednoznacznej interpretacji niniejszej instrukcji obsługi. Wygląd produktu zależy od stanu, w jakim go otrzymali Państwo. Prosimy o wyrozumiałość, ale nie będziemy Państwa ponownie informować o aktualizacjach technologicznych lub oprogramowania naszego produktu.



Ostrzeżenie: Aby zminimalizować ryzyko obrażeń, użytkownik powinien uważnie przeczytać instrukcję obsługi.

## INSTRUKCJE

Dziękujemy bardzo za wybranie tego przenośnego stojaka do koszykówki. Przed użyciem należy przeczytać całą instrukcję. Informacje te pomogą Ci osiągnąć najlepsze możliwe rezultaty.

### **OSTRZEŻENIE:**

Przed użyciem produktu należy uważnie przeczytać niniejszą instrukcję. Niedopełnienie tego obowiązku może skutkować poważnymi obrażeniami.

## **ŚRODKI OSTROŻNOŚCI PODCZAS MONTAŻU**

1. Montaż należy wykonać zgodnie z poniższymi instrukcjami. Nieprawidłowy montaż może być niebezpieczny.
2. Podczas montażu należy nosić okulary ochronne i solidne rękawice robocze.
3. Nie należy uczestniczyć w zgromadzeniach, jeśli jesteś zmęczony lub pod wpływem alkoholu, narkotyków lub leków.
4. Nośność i inne parametry produktu odnoszą się wyłącznie do produktu w całości i prawidłowo zmontowanego.
5. Utrzymuj miejsce zgromadzenia w czystości i dobrym oświetleniu.
6. Podczas montażu nie dopuszczać osób postronnych na teren montażu.
7. Montażu mogą dokonywać wyłącznie osoby dorosłe.

8. **OSTRZEŻENIE:** Produkt zawiera małe części. W przypadku połączania istnieje ryzyko zadławienia. Trzymaj te małe części poza zasięgiem dzieci. złozenie!

### **Uwaga dla monterów:**

Wszystkie systemy do koszykówki, łącznie z tymi używanymi do celów wystawowych, muszą być zmontowane i obciążone zgodnie z instrukcją. Nieprzestrzeganie instrukcji może skutkować poważnymi obrażeniami. Przed montażem należy przeczytać wszystkie ostrzeżenia i środki ostrożności. Zaleca się nadzorowanie dzieci bawiących się tym produktem. Ten produkt może być montowany wyłącznie przez dwie osoby dorosłe! Dziękujemy za zakup jednego z naszych wielu doskonałych produktów. Jesteśmy pewni, że będą Państwo w pełni usatysfakcjonowani swoim wyborem.

## **ŚRODKI OSTROŻNOŚCI**



### **OSTRZEŻENIE:**

#### **ABY ZAPOBIEC POWAŻNYM OBRAŻENIOM I ŚMIERCI SPOWODOWANEJ PRZEWRÓCENIEM:**

1. Używać wyłącznie zgodnie z przeznaczeniem. Nie siadać i nie stawać na produkcie.
2. Przed każdym użyciem należy sprawdzić. Nie używaj urządzenia, jeśli jego części są luźne lub uszkodzone.
3. Jeśli jakichkolwiek części brakuje, są one uszkodzone lub zużyte, należy zaprzestać używania tego przedmiotu do czasu wykonania naprawy i zainstalowania części zamiennych.

## **OSTRZEŻENIE:**

**W trosce o Twoje bezpieczeństwo, nie wsadzaj piłki do kosza ani nie wiś się na nim.**

## **ZACHOWAJ TE INSTRUKCJE**

### **MONTAŻ**

#### **① UWAGA**

- Przed przystąpieniem do montażu lub instalacji tego przedmiotu należy zapoznać się z całą instrukcją. Montażu mogą dokonywać wyłącznie osoby dorosłe.
- Potwierdź ponownie, że wszystkie Przed każdym użyciem należy sprawdzić, czy śruby, wkręty i pokrętła są dobrze dokręcone.
- Ten produkt jest przeznaczony do użytku na zewnątrz.
- Jeśli jakichkolwiek części brakuje, są one uszkodzone lub zużyte, należy zaprzestać korzystania z tego przedmiotu do czasu wykonania naprawy i/lub zainstalowania fabrycznych części zamiennych.



# SAFETY INSTRUCTIONS



FAILURE TO FOLLOW THESE SAFETY INSTRUCTIONS MAY RESULT IN SERIOUS INJURY OR PROPERTY DAMAGE AND WILL VOID WARRANTY.

To ensure safety, do not attempt to assemble this system without following the instructions carefully. Check entire box and inside all packing material for parts and/or additional instruction material. Before beginning assembly, read the instructions and identify parts using the hardware identifier and parts list in this document. Proper and complete assembly, use, and supervision are essential for proper operation and to reduce the risk of accident or injury. A high probability of serious injury exists if this system is not installed, maintained, and operated properly.

- If using a ladder during assembly, use extreme caution.
- 2 capable adults are recommended for this operation.
- Check base daily for leakage. Leaks will cause system to fall.
- Assemble the pole sections properly (if applicable). Failure to do so could cause the pole sections to separate during play or transport.
- The adjustable height from rim to floor is 1.15-2.1 m.

## **OSTRZEŻENIE**

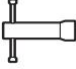
- Nie zjeżdżaj, nie wspinaj się i nie baw się na bazie lub drążku.
- Dokładnie napełnij podstawę zgodnie z instrukcją producenta, w przeciwnym razie przedmiot ulegnie uszkodzeniu. szybko przechylić głowę , powodując poważne obrażenia ciała.
- Nie pozwalaj dzieciom przenosić ani regulować przedmiotu.
- Powierzchnia pod podstawą musi być gładka i wolna od żwiru i innych obiektów. Przebicia mogą powodować wycieku i może spowodować przewrócenie się przedmiotu.
- Sprawdzaj słup i wszystkie metalowe części pod kątem rdzy raz w miesiącu . Całkowicie usuń rdzę i pomaluj ponownie emalią zewnętrzną. Jeśli rdza wniknęła w jakąkolwiek część stalową, należy ją natychmiast wymienić.
- każdym użyciem sprawdź, czy przedmiot jest odpowiednio obciążony, luźny sprzęt komputerowy, niestabilność, i oznak korozji , należy je naprawiać przed każdym użyciem . Nigdy nie graj na uszkodzonym sprzęcie.
- Nie należy wspinać się na podstawę ani konstrukcję, gdyż może to

spowodować poważne obrażenia.

- Nie przesadzaj Nie dokręcaj mocno elementów sprzętowych, gdyż może to uszkodzić konstrukcję produktu.
- całego zestawu koszy powinny być wykonywane przez osoby dorosłe.
- Podstawę zestawu należy zawsze stawiać na płaskiej powierzchni.
- Do montażu zestawu potrzebne są dwie osoby.
- Przed rozpoczęciem gry należy regularnie sprawdzać, czy na bazie nie ma przecieków.


# HARDWARE

**AA** SLEEVES  
WRENCH




4PCS

**BB** M10 x140mm  
BOLT & NUT  
SET




2PCS

**CC** M10 x 140mm  
BOLT & NUT  
SET



2PCS

**DD** M10 x 140mm  
BOLT & NUT  
SET




2PCS

**A** M8x 120mm  
SPRING SCREW  
SET




2PCS

**B** M8x 50mm  
BOLT & NUT  
SET




2PCS

**C** M8x 20mm  
BOLT & NUT  
SET



2PCS

**D** M8 x16mm  
BOLT



2PCS

**E** M8 x90mm  
BOLT & NUT  
SET




2PCS

**F** M8 x50mm  
BOLT & NUT  
SET




1PC

**G** M10 x100mm  
BOLT & NUT  
SET




1PC

**H** M10 x 90 mm  
BOLT & NUT  
SET




2PCS

**I** M8x 90mm  
BOLT & NUT  
SET



1PC

**EE** SPRING



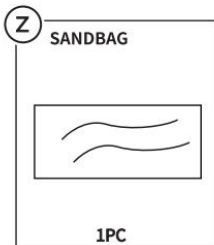
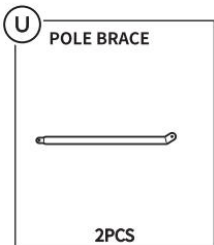
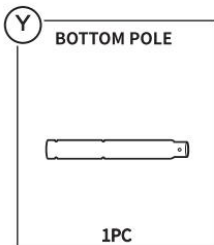
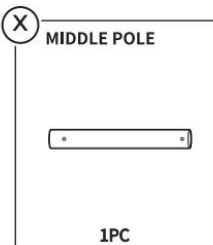
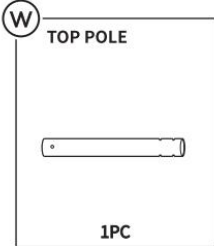
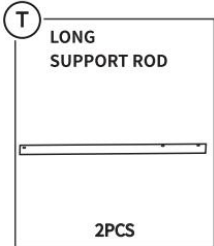
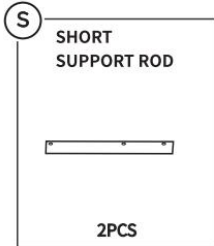
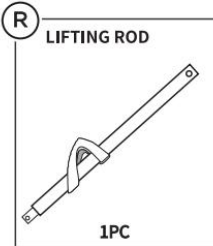
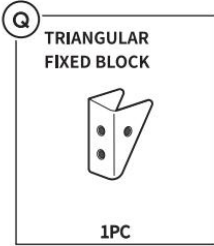
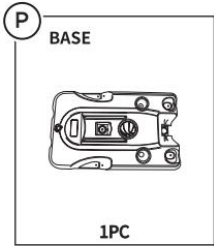
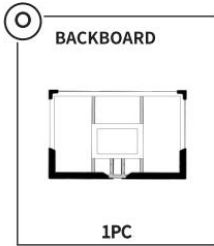
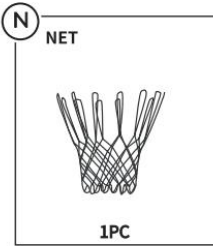
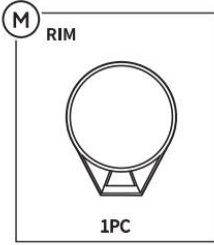
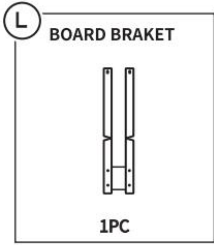
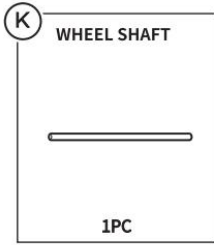
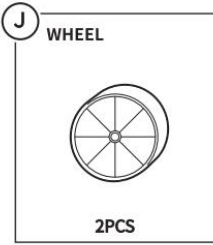
1PC

**AGES 8+**  
ADULT ASSEMBLY  
REQUIRED

**2 PERSON  
ASSEMBLY**

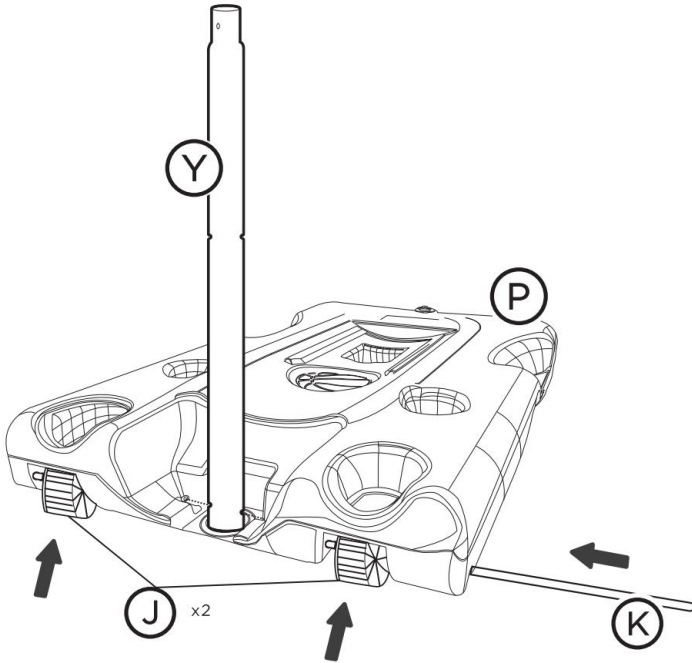


# PARTS

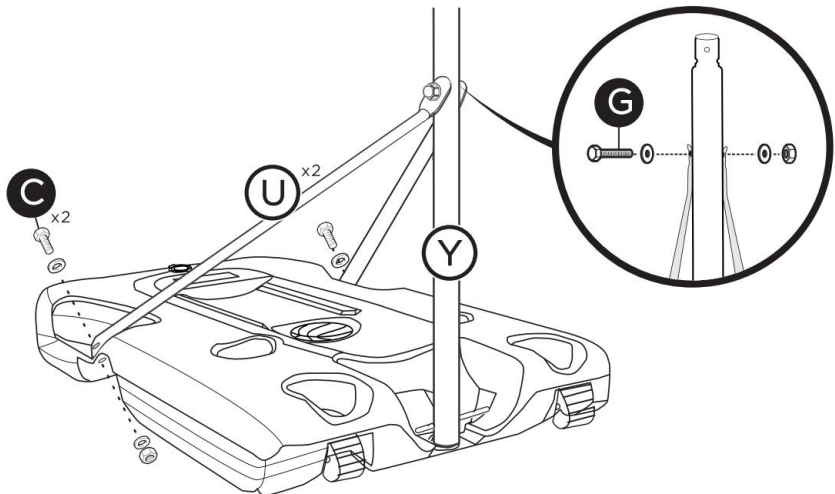


**1**

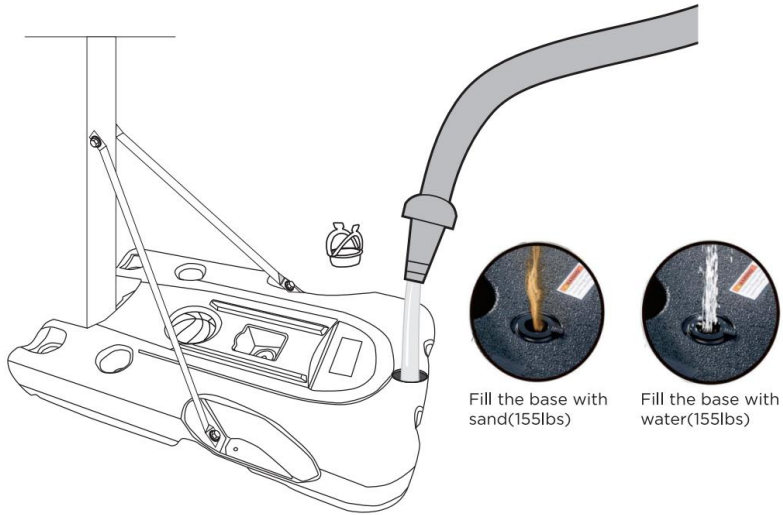
Locate the Base(P) and insert the Bottom pole(Y). Use the Wheel shaft(K) to attach Wheels(J). Place the wheels into the recesses on the front of the base then slide wheel shaft through the hole on the side, The shaft passes through the base, wheel, bottom pole, and then through the other wheel.

**2**

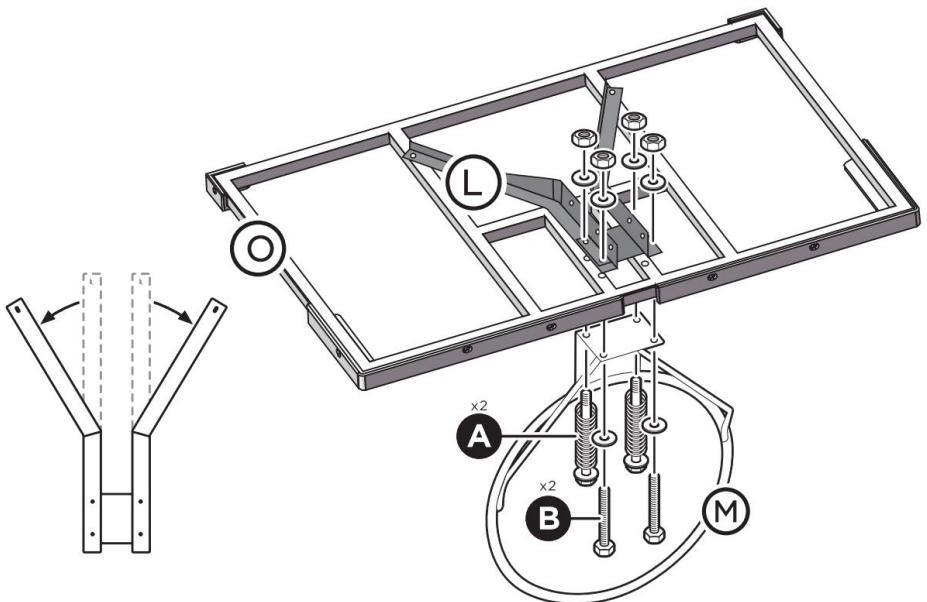
Attach two Pole braces(U) to the Bottom pole(Y) with one bolt set(G). Attach the Pole braces(U) to the Base(P) with two bolt sets(C).



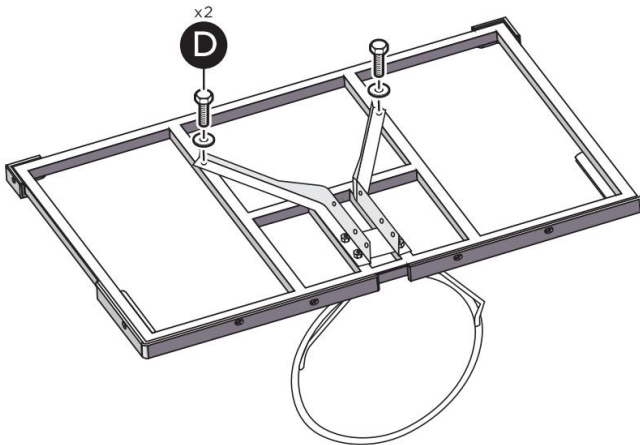
- 3** Move the base to the right position, add water or sand.  
NOTE:Do not mix sand and water



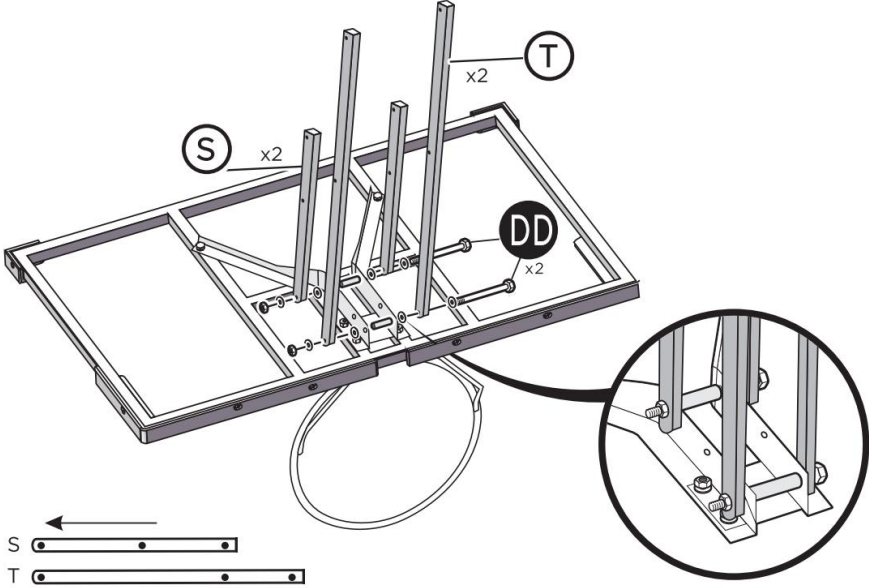
- 4** Locate the Board bracket(L),then gently bend the two tines into a y shape. Attach the Rim(M) and Board bracket(L) to the Backboard(O) with two Bolt sets(A) and two Bolt sets(B).Use the Bolts(A) in the top holes of the Rim(M) and the Bolts(B) for the bottom holes.



**5** Attach Board bracket(L) to the back of the Backboard(O) with two bolts(D).



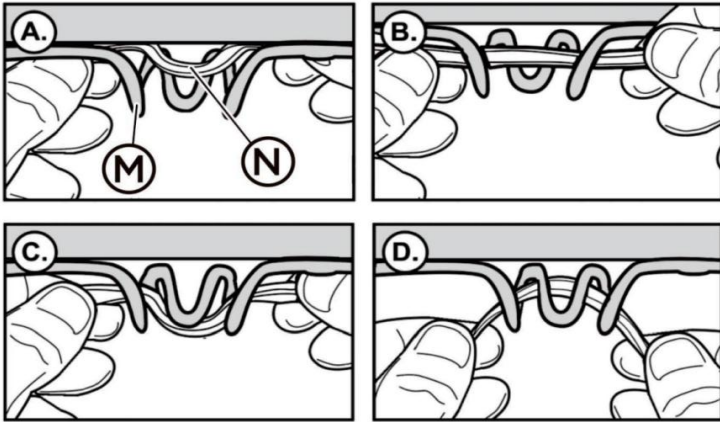
**6** Fix the short support rod(S) and long support rod(T) with the Board bracket(L) with two Bolts(DD).



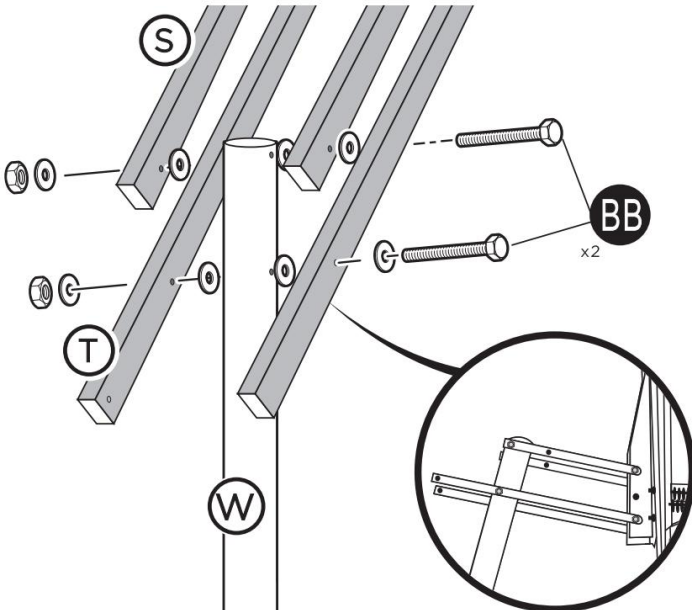
This Round head end shall be oriented toward the backboard as illustrated. Please note the hole positions.

**7**

Attach the Net(N) to the Rim(M) as shown:

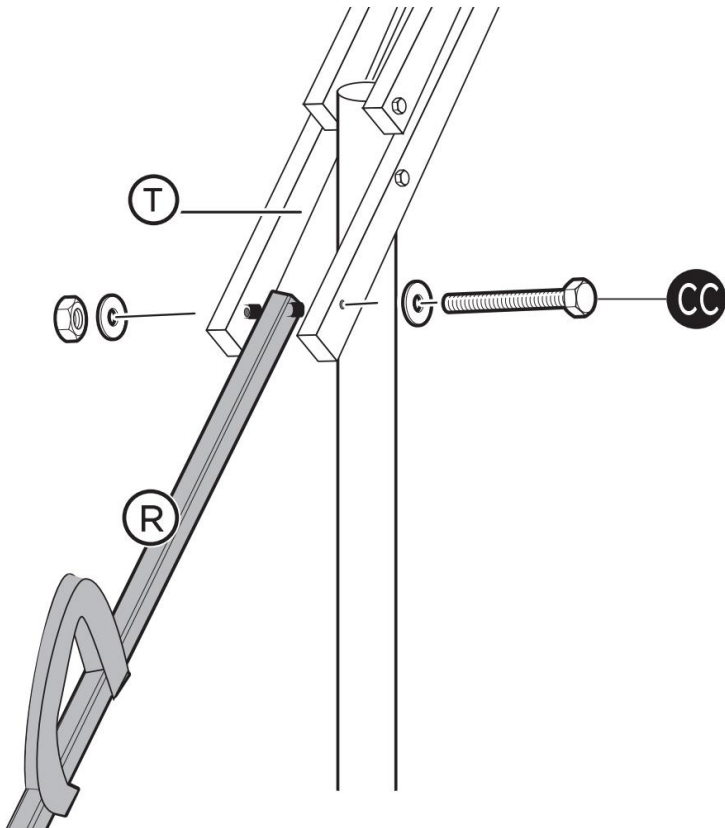
**8**

Attach the Short support rods(S) to the Top pole(W) with Bolt set(BB).  
Attach the Long support rods(T) to the Top pole(W) with Bolt set(BB).

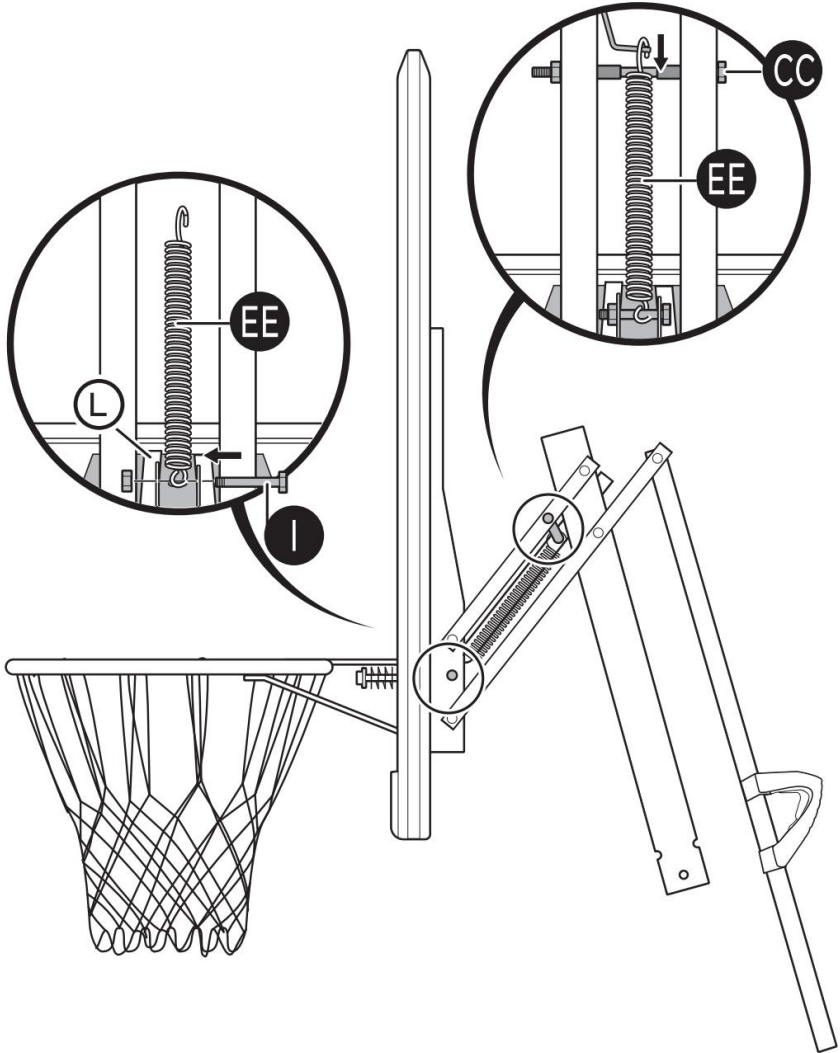


**9**

Attach the Lifting rod(R) to the ends of the Long support rods(T) with Bolt set(CC).

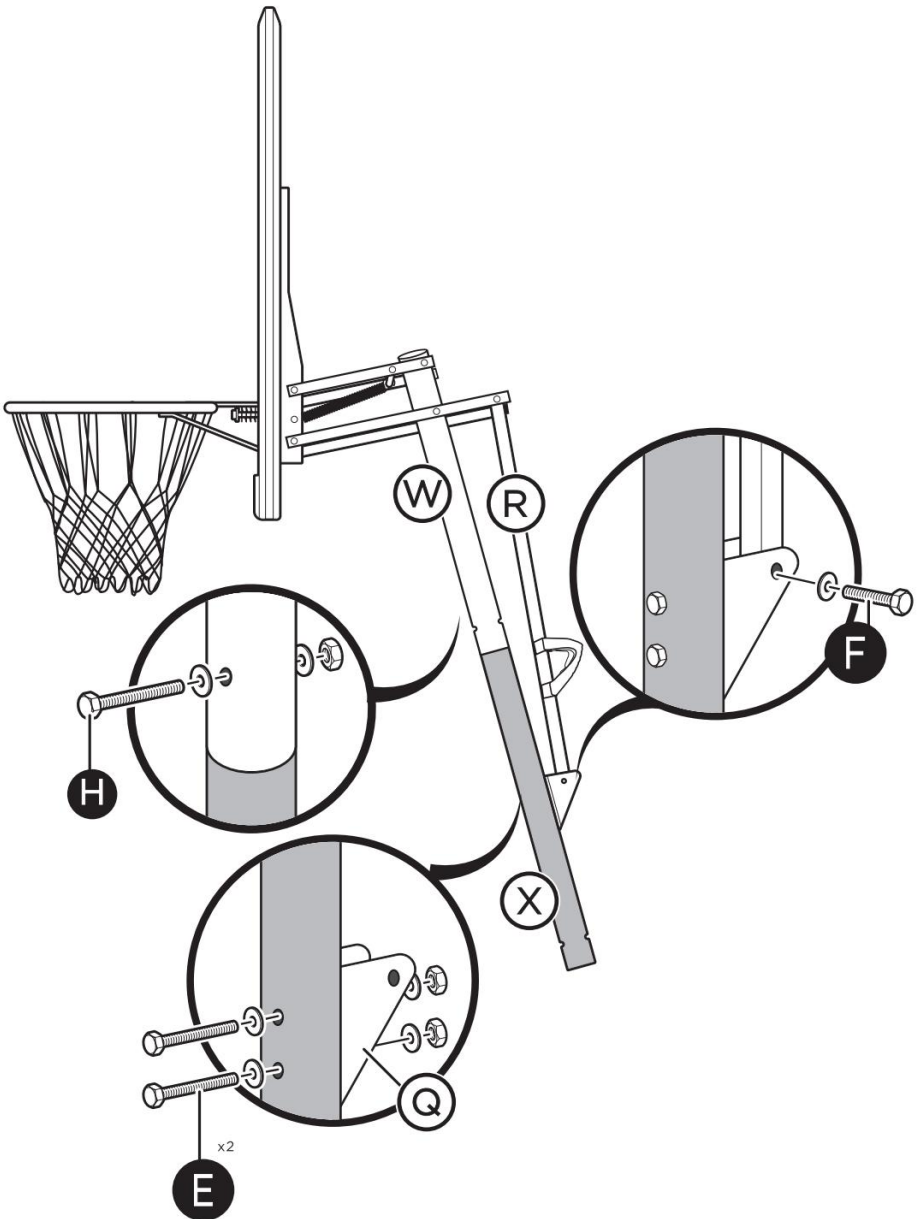


- 10** First, install bolt set (CC) at the middle hole positions of the two Short Support Rods (S). Next, insert bolt set (I) into the central hole position of the Board Bracket (L), while threading one end of the spring (EE) onto the bolt set (I). Finally, hook the white cord to the free end of the spring (EE), then apply tension to securely engage it with bolt set (CC) on the Short Support Rods (S).

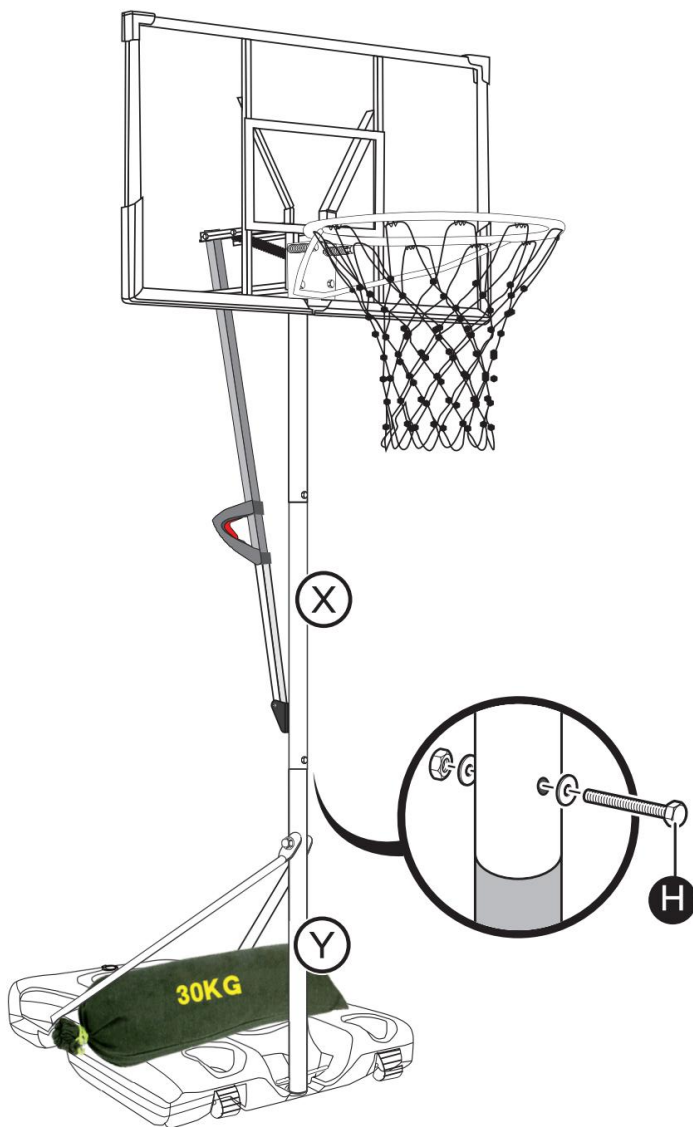


**11**

Slide the Middle pole(X) into the Top pole(W), then secure with bolt set(H). Attach the Triangular block(Q) to the Middle pole(X) with two bolt sets(E). Attach the Lifting rod(R) to the Triangular block(Q) with bolt set(F).



- 12** Insert the assembled middle pole onto the previously assembled bottom pole and connect it with bolt set(H).  
To make the basketball hoop more stable, fill the sandbag with sand and place it on the base.



**OSTRZEŻENIE: Montaż przez osobę dorosłą. Podczas zabawy rodzice powinni zawsze towarzyszyć swoim dzieciom . Nieodpowiednie dla dzieci poniżej 3 lat. Dla Twojego bezpieczeństwa, nie wsadzaj piłki do kosza i nie wiś na obręczy do koszykówki.**

**Producent:** Taizhou Xiangtai Sporting Goods Co., Ltd.

**Adres:** #90, Xinghai Road, dystrykt Hailing, Taizhou, Jiangsu, Chiny.

**Importowane do Australii:** SIHAO PTY LTD. 1 ROKEVA

STREETEASTWOOD NSW 2122 Australia

**Importowane do USA:** Sanven Technology Ltd. Suite 250, 9166 Anaheim Place, Rancho Cucamonga, CA 91730

<b>UK</b>	<b>REP</b>
-----------	------------

YH CONSULTING LIMITED. C/O YH Consulting Limited Office 147, Centurion House, London Road, Staines-upon-Thames, Surrey, TW18 4AX

<b>EC</b>	<b>REP</b>
-----------	------------

E-CrossStu GmbH  
Mainzer Landstr.69,  
60329 Frankfurt am Main.





# VEVOR

**Affordable. Reliable. Home Improvement.**

## **DRAAGBARE BASKETBALSTANDAARD**

**MODEL: X031-26ZL**

# VEVOR

Affordable. Reliable. Home Improvement.

## PORTABLE BASKETBALL STAND

MODEL: X031-26ZL



**WARNING:**  
IMPROPER INSTALLATION  
OR SWINGING ON THE RING  
MAY CAUSE SERIOUS INJURY  
OR DEATH

Dit is de originele handleiding. Lees alle instructies zorgvuldig door voordat u het product gebruikt. VEVOR behoudt zich het recht voor om de gebruiksaanwijzing duidelijk te interpreteren. Het uiterlijk van het product is afhankelijk van het product dat u hebt ontvangen. Neemt u het ons niet kwalijk dat we u niet meer op de hoogte stellen van eventuele technologische of software-updates voor ons product.



Waarschuwing: om het risico op letsel te verminderen, moet de gebruiker de gebruiksaanwijzing zorgvuldig lezen.

## INSTRUCTIES

Hartelijk dank dat u voor deze draagbare basketbalstandaard hebt gekozen. Lees de instructies zorgvuldig door voordat u het product gebruikt. Met deze informatie kunt u de best mogelijke resultaten behalen.

## WAARSCHUWING:

Lees deze handleiding zorgvuldig door voordat u het product gebruikt. Als u dit niet doet, kan dit ernstig letsel tot gevolg hebben.

## MONTAGEVOORZORGSMAATREGEL EN

1. Volg deze instructies voor de montage. Onjuiste montage kan gevaarlijk zijn.
2. Draag een veiligheidsbril en stevige werkhandschoenen tijdens de montage.
3. Niet in de winkel komen als u moe bent of onder invloed van alcohol, drugs of medicijnen.
4. Het draagvermogen en andere producteigenschappen gelden alleen voor een product dat volledig en correct is gemonteerd.
5. Zorg ervoor dat de verzamelplaats schoon en goed verlicht is.
6. Houd omstanders uit de buurt tijdens de montage.
7. Alleen volwassenen mogen het product in elkaar zetten.

8. **WAARSCHUWING:** Dit product bevat kleine onderdelen. Bij inslikken bestaat er verstikkingsgevaar. Houd deze kleine onderdelen buiten bereik van kinderen wanneer in elkaar zetten!

### **Mededeling aan monteurs:**

Alle basketbalsystemen, inclusief de systemen die voor demonstraties worden gebruikt, moeten volgens de instructies worden gemonteerd en van ballast worden voorzien. Het niet opvolgen van de instructies kan ernstig letsel tot gevolg hebben.

Lees alle waarschuwingen en voorzorgsmaatregelen voordat u met de montage begint. Het is raadzaam om toezicht te houden op kinderen wanneer zij met dit product spelen. Dit product mag uitsluitend door 2 volwassenen gemonteerd worden!

Wij waarderen het dat u een van onze vele goede producten hebt gekocht. Wij verzekeren u dat u zeer tevreden zult zijn met uw keuze.

# **GEBRUIKSVOORZORGSMATREGEL EN**



## **WAARSCHUWING:**

### **OM ERNSTIG LETSEL EN DE DOOD DOOR KANTELEN TE VOORKOMEN:**

1. Gebruik het product alleen zoals bedoeld. Ga niet op het product zitten of staan.
2. Controleer voor elk gebruik. Gebruik het niet als er onderdelen loszitten of beschadigd zijn.
3. Als er onderdelen ontbreken, kapot, beschadigd of versleten zijn, stop dan met het gebruik van dit artikel totdat de reparaties zijn uitgevoerd en de juiste vervangende onderdelen zijn geïnstalleerd.

# **WAARSCHUWING:**

**Voor uw eigen veiligheid, gelieve niet te dunken of aan de basketbalring te gaan hangen.**

# **BEWAAR DEZE INSTRUCTIES**

## **MONTAGE**

### **① KENNISGEVING**

- Lees alle instructies aandachtig door voordat u dit artikel gaat installeren of monteren. Alleen volwassenen mogen het geheel in elkaar zetten.
- Bevestig dat alle Controleer of de bouten, schroeven en knoppen goed vastzitten vóór elk gebruik.
- Dit product is bedoeld voor gebruik buitenshuis.
- Als er onderdelen ontbreken, kapot, beschadigd of versleten zijn, stop dan met het gebruik van dit artikel totdat de reparaties zijn uitgevoerd en/of de vervangende onderdelen van de fabriek zijn geïnstalleerd.



# SAFETY INSTRUCTIONS



FAILURE TO FOLLOW THESE SAFETY INSTRUCTIONS MAY RESULT IN SERIOUS INJURY OR PROPERTY DAMAGE AND WILL VOID WARRANTY.

To ensure safety, do not attempt to assemble this system without following the instructions carefully. Check entire box and inside all packing material for parts and/or additional instruction material. Before beginning assembly, read the instructions and identify parts using the hardware identifier and parts list in this document. Proper and complete assembly, use, and supervision are essential for proper operation and to reduce the risk of accident or injury. A high probability of serious injury exists if this system is not installed, maintained, and operated properly.

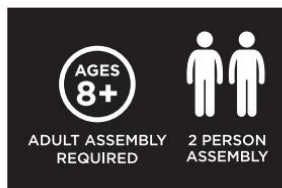
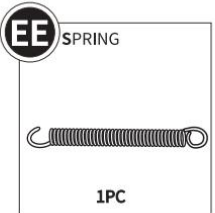
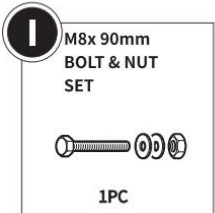
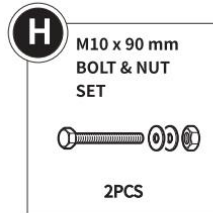
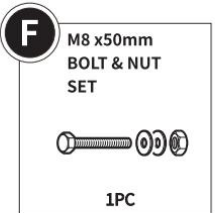
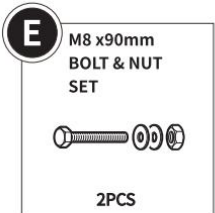
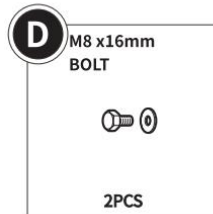
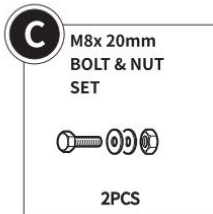
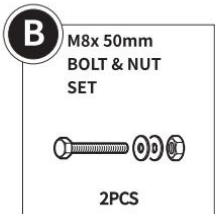
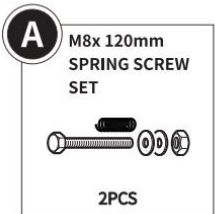
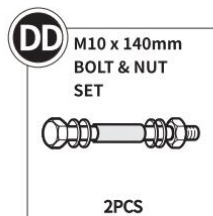
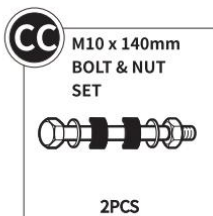
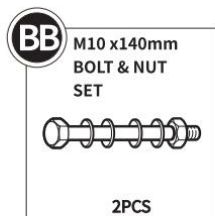
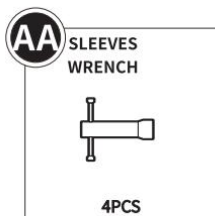
- If using a ladder during assembly, use extreme caution.
- 2 capable adults are recommended for this operation.
- Check base daily for leakage. Leaks will cause system to fall.
- Assemble the pole sections properly (if applicable). Failure to do so could cause the pole sections to separate during play or transport.
- The adjustable height from rim to floor is 1.15-2.1 m.

## **WAARSCHUWING**

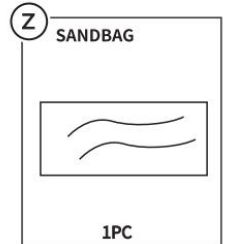
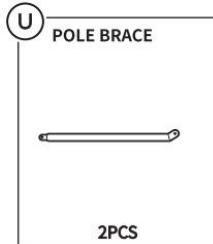
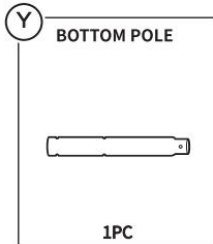
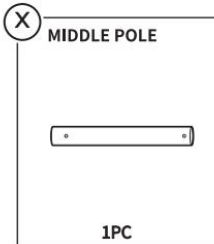
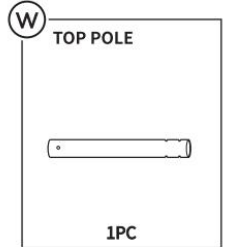
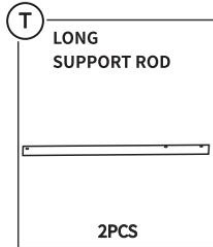
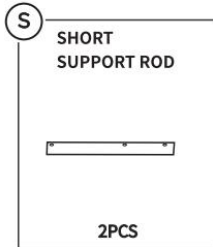
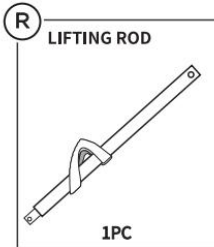
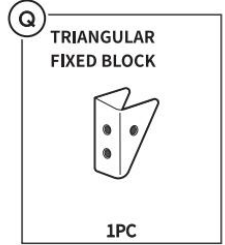
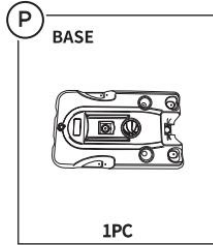
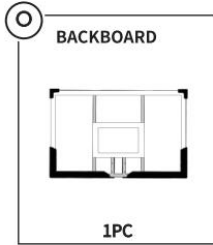
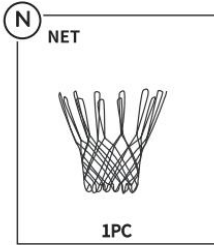
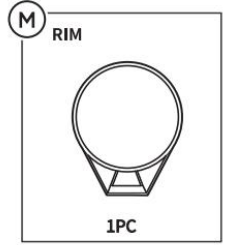
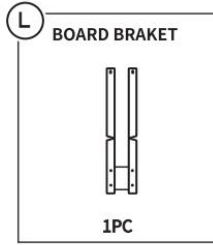
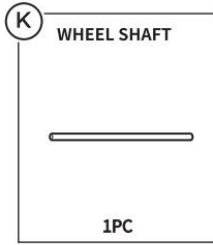
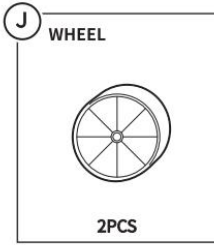
- Niet glijden, klimmen of spelen op de basis of paal.
- Vul de basis volledig volgens de instructies van de fabrikant, anders zal het artikel snel kantelen en ernstig persoonlijk letsel veroorzaken.
- Laat kinderen het artikel niet verplaatsen of aanpassen.
- De ondergrond onder de fundering moet glad zijn en vrij van grind of andere voorwerpen. Lekken kunnen leiden tot lekkage en kan ertoe leiden dat het artikel omvalt.
- Controleer de paal en alle metalen onderdelen eens per maand op roest. Verwijder de roest volledig en verf opnieuw met buitenlak. Als er roest in een stalen onderdeel is gekomen, moet u dat onderdeel onmiddellijk vervangen.
- Controleer het artikel voor elk gebruik op de juiste ballast, loszittend hardware, instabiliteit, en tekenen van corrosie, en repareer ze vóór elk gebruik. Speel nooit op beschadigde apparatuur.
- Klim nooit op de basis of de structuur in het algemeen, aangezien dit ernstig letsel tot gevolg kan hebben.
- Niet te lang Draai de hardware vast, omdat dit de structuur van het product kan beschadigen.

- Het verstellen en verplaatsen van de basketbalset moet door volwassenen worden uitgevoerd.
- Plaats de basis van de set altijd op een vlakke ondergrond.
- Voor het monteren van de set zijn twee personen nodig.
- Controleer de basis regelmatig op lekkage voordat u gaat spelen.

## HARDWARE

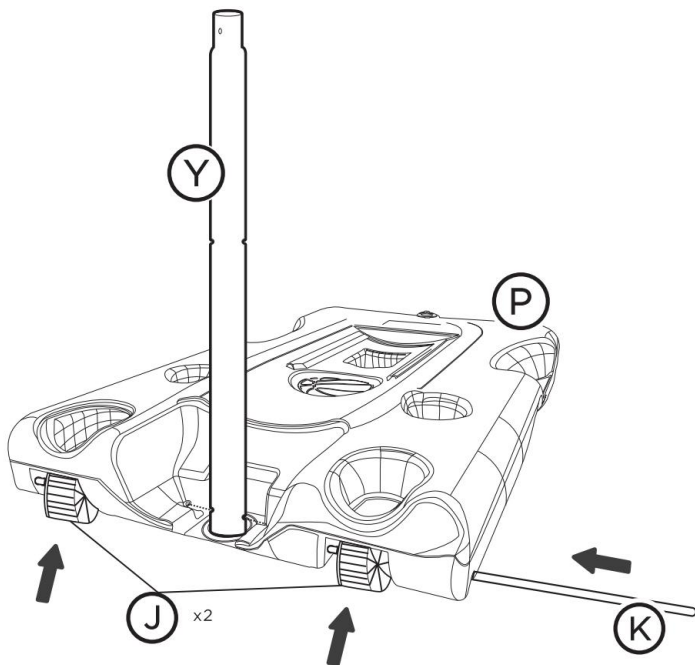


# PARTS

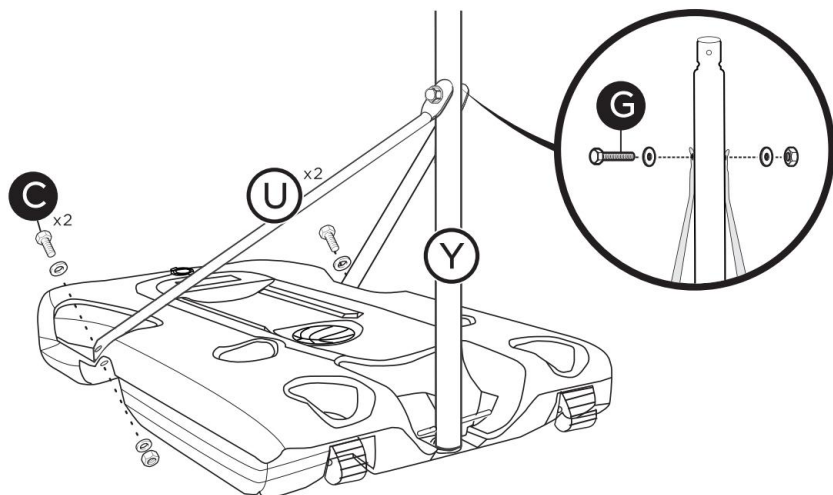


**1**

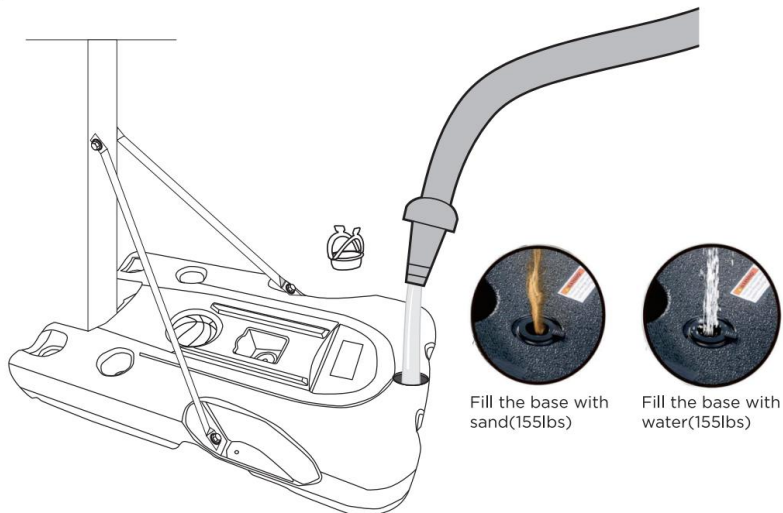
Locate the Base(P) and insert the Bottom pole(Y). Use the Wheel shaft(K) to attach Wheels(J). Place the wheels into the recesses on the front of the base then slide wheel shaft through the hole on the side, The shaft passes through the base, wheel, bottom pole, and then through the other wheel.

**2**

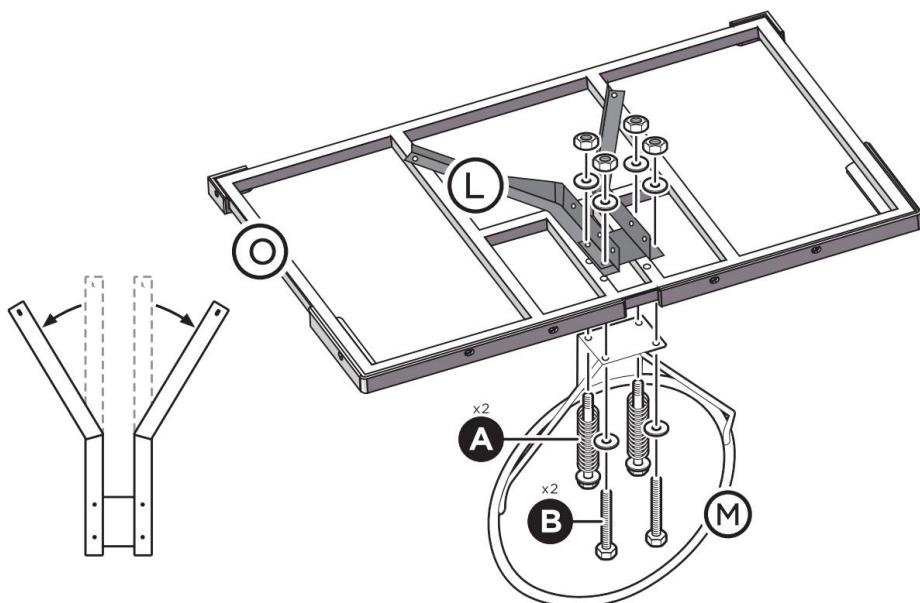
Attach two Pole braces(U) to the Bottom pole(Y) with one bolt set(G). Attach the Pole braces(U) to the Base(P) with two bolt sets(C).



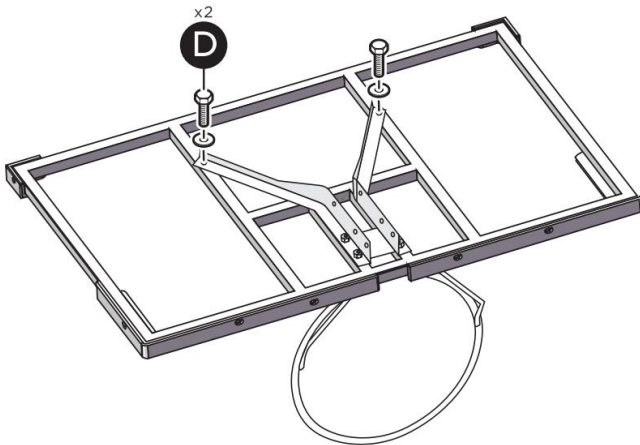
- 3** Move the base to the right position, add water or sand.  
NOTE: Do not mix sand and water



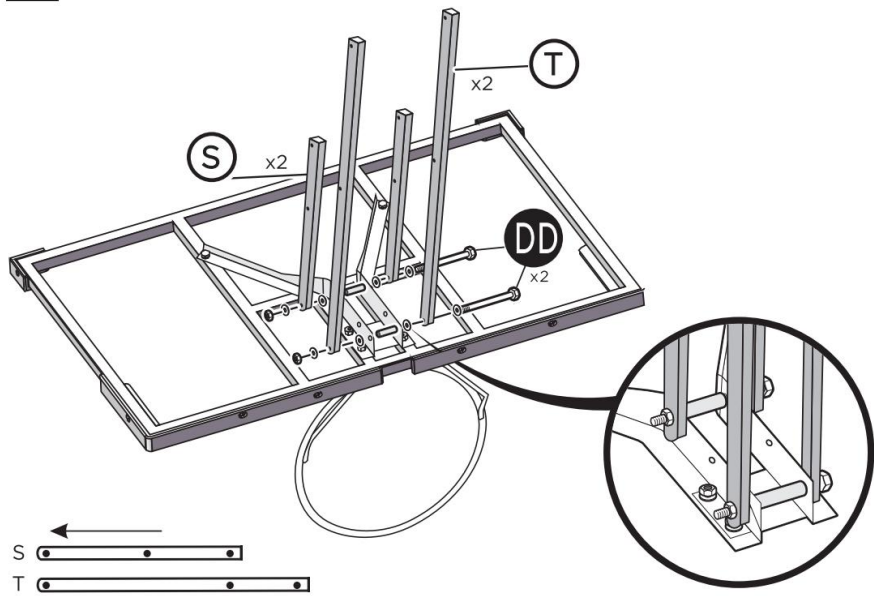
- 4** Locate the Board bracket(L), then gently bend the two tines into a y shape. Attach the Rim(M) and Board bracket(L) to the Backboard(O) with two Bolt sets(A) and two Bolt sets(B). Use the Bolts(A) in the top holes of the Rim(M) and the Bolts(B) for the bottom holes.



**5** Attach Board bracket(L) to the back of the Backboard(O) with two bolts(D).



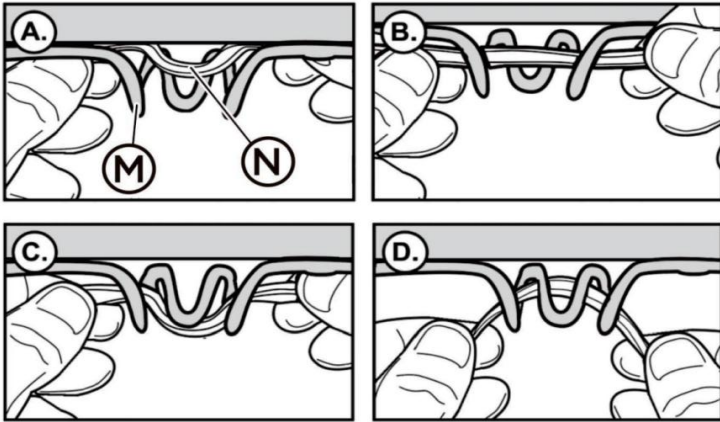
**6** Fix the short support rod(S) and long support rod(T) with the Board bracket(L) with two Bolts(DD).



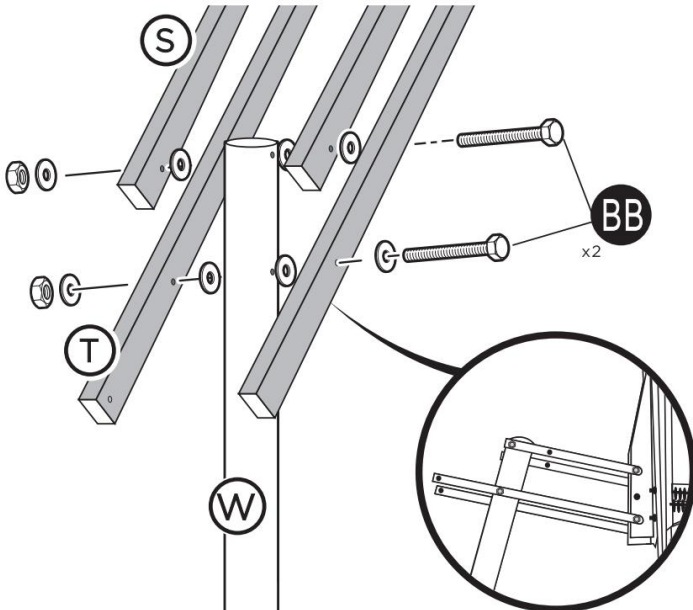
This Round head end shall be oriented toward the backboard as illustrated. Please note the hole positions.

**7**

Attach the Net(N) to the Rim(M) as shown:

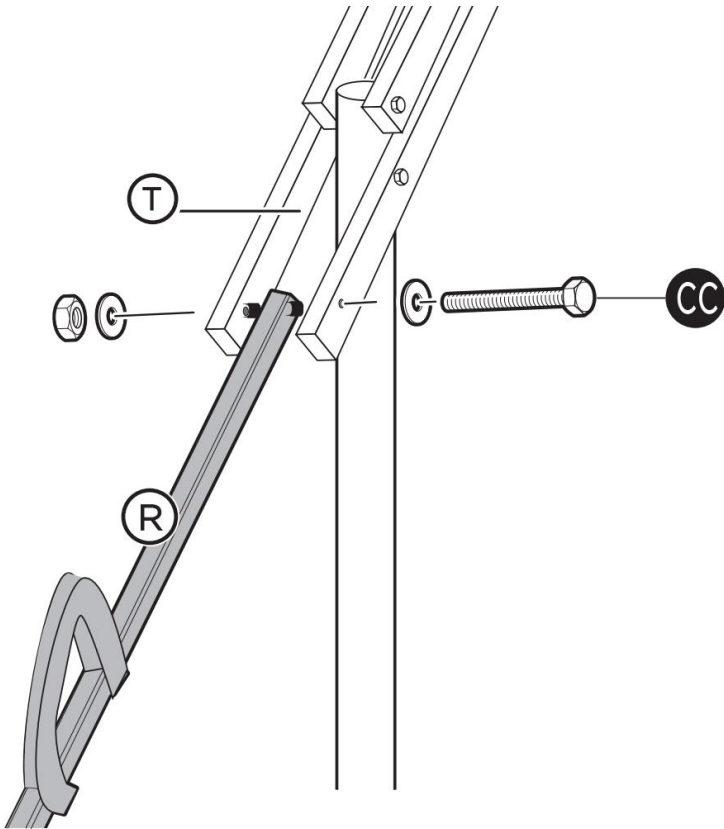
**8**

Attach the Short support rods(S) to the Top pole(W) with Bolt set(BB).  
Attach the Long support rods(T) to the Top pole(W) with Bolt set(BB).

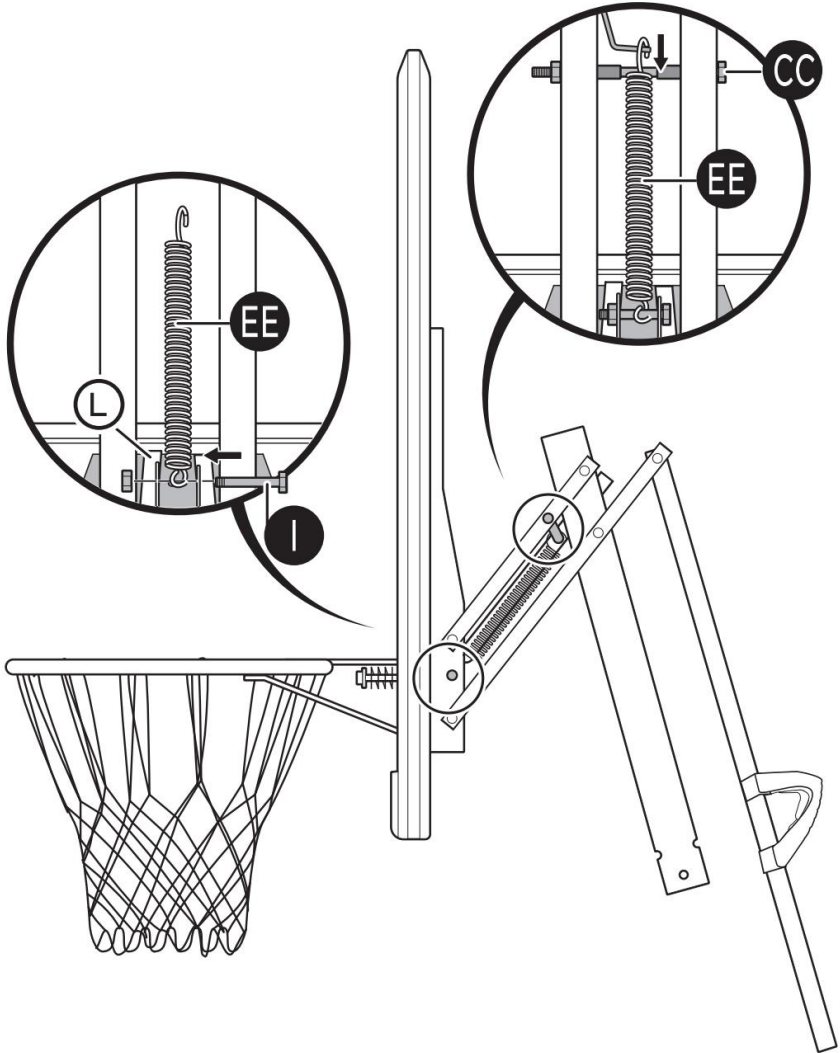


**9**

Attach the Lifting rod(R) to the ends of the Long support rods(T) with Bolt set(CC).

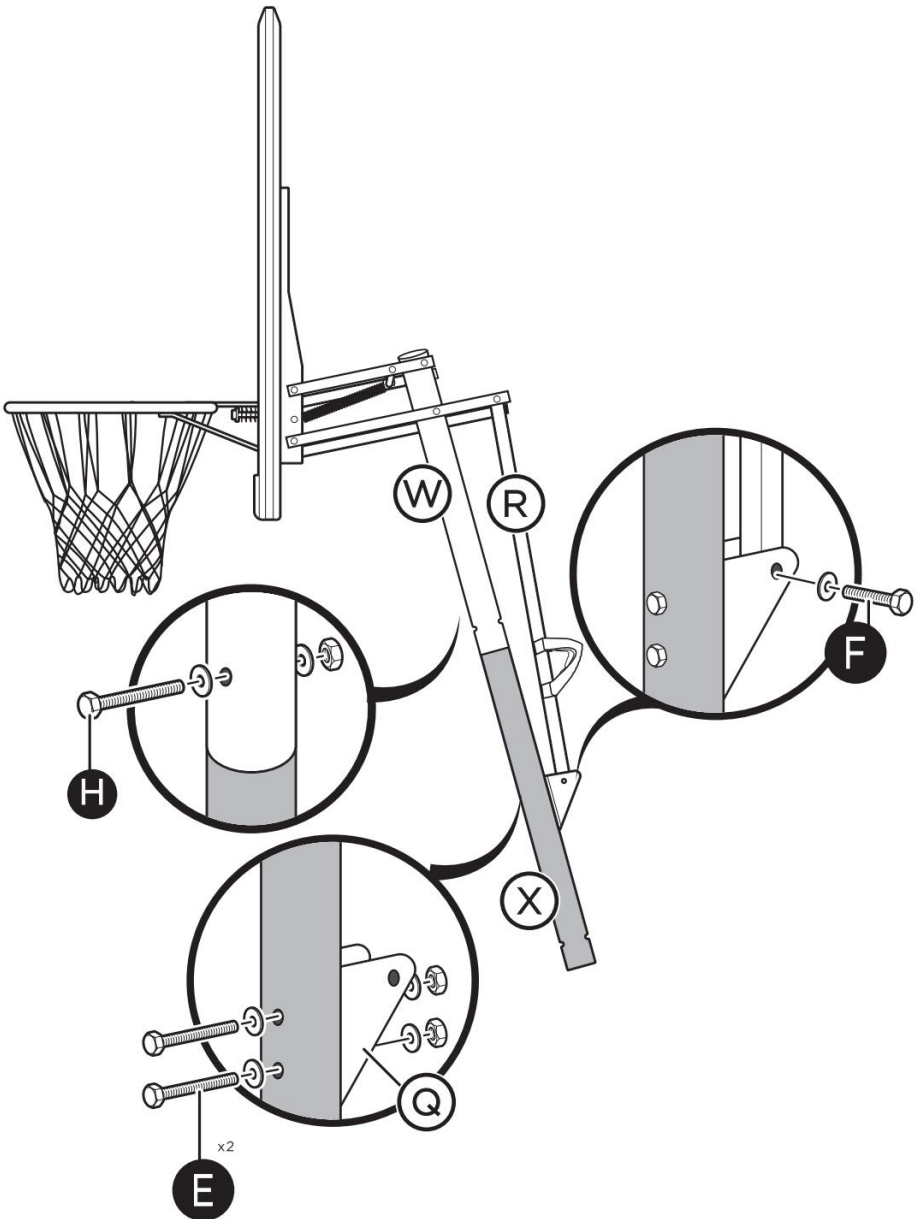


- 10** First, install bolt set (CC) at the middle hole positions of the two Short Support Rods (S). Next, insert bolt set (I) into the central hole position of the Board Bracket (L), while threading one end of the spring (EE) onto the bolt set (I). Finally, hook the white cord to the free end of the spring (EE), then apply tension to securely engage it with bolt set (CC) on the Short Support Rods (S).

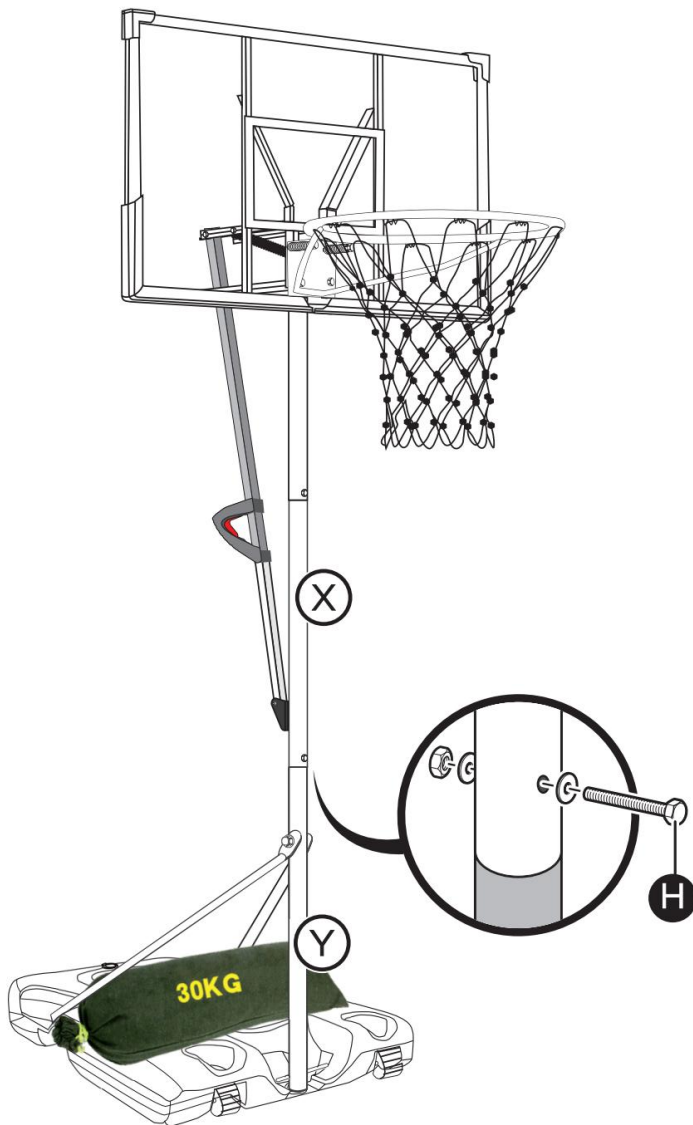


**11**

Slide the Middle pole(X) into the Top pole(W), then secure with bolt set(H). Attach the Triangular block(Q) to the Middle pole(X) with two bolt sets(E). Attach the Lifting rod(R) to the Triangular block(Q) with bolt set(F).



- 12** Insert the assembled middle pole onto the previously assembled bottom pole and connect it with bolt set(H).  
To make the basketball hoop more stable, fill the sandbag with sand and place it on the base.



**hun kinderen tijdens het spelen altijd te begeleiden . Niet geschikt voor kinderen jonger dan 3 jaar. Voor uw veiligheid, Niet dunken of aan de basketbalring gaan hangen.**

**Fabrikant:** Taizhou Xiangtai Sporting Goods Co., Ltd.

**Adres:** #90, Xinghai Road, meldplichtdistrict, Taizhou, Jiangsu, China.

**Geïmporteerd naar AUS:** SIHAO PTY LTD. 1 ROKEVA

STREETEASTWOOD NSW 2122 Australië

**Geïmporteerd naar de VS:** Sanven Technology Ltd. Suite 250, 9166

Anaheim Place, Rancho Cucamonga, CA 91730

<b>UK</b>	<b>REP</b>
-----------	------------

YH CONSULTING LIMITED. C/O YH Consulting  
Limited Office 147, Centurion House, London  
Road, Staines-upon-Thames, Surrey, TW18 4AX

<b>EC</b>	<b>REP</b>
-----------	------------

E-CrossStu GmbH  
Mainzer Landstr.69,  
60329 Frankfurt am Main.





# VEVOR

**Affordable. Reliable. Home Improvement.**

## **BÄRBART BASKETSTÄLL**

**MODELL: X031-26ZL**

# VEVOR

Affordable. Reliable. Home Improvement.

## PORTABLE BASKETBALL STAND

MODELL: X031-26ZL



**WARNING:**  
IMPROPER INSTALLATION  
OR SWINGING ON THE RING  
MAY CAUSE SERIOUS INJURY  
OR DEATH

Detta är originalinstruktionerna, vänligen läs alla instruktioner noggrant innan du använder produkten. VEVOR förbehåller sig en tydlig tolkning av vår användarmanual. Produktens utseende ska vara beroende av den produkt du mottagit. Vi ber om ursäkt för att vi inte kommer att informera dig igen om det finns några teknik- eller programuppdateringar för vår produkt.



Varning – För att minska risken för skador måste användaren läsa instruktionsmanualen noggrant.

## INSTRUKTIONER

Tack så mycket för att du valde detta bärbara basketställ. Läs alla instruktioner innan du använder den. Informationen kommer att hjälpa dig att uppnå bästa möjliga resultat.

### **VARNING:**

Läs denna manual noggrant innan du använder produkten. Underlåtenhet att göra det kan leda till allvarliga skador.

## **FÖRSIKTIGHETSÅTGÄRDER VID MONTERING**

1. Monteringen måste följa dessa instruktioner. Felaktig montering kan vara en fara.
2. Använd skyddsglasögon och kraftiga arbetshandskar under monteringen.
3. Montera inte när du är trött eller påverkad av alkohol, droger eller mediciner.
4. Viktkapacitet och annan produktkapacitet gäller endast för en helt och korrekt monterad produkt.
5. Håll samlingsområdet rent och väl upplyst.
6. Håll åskådare borta från området under monteringen.
7. Montering bör endast utföras av vuxna.

8. **VARNING:** Denna produkt innehåller små delar. Om det sväljs utgör det en kvävningrisk. Håll dessa smådelar utom räckhåll för barn när montering!

### **Meddelande till montörer:**

Alla basketbollssystem, inklusive de som används för uppvisningar, måste monteras och ballasteras enligt instruktionerna. Underlåtenhet att följa instruktionerna kan leda till allvarliga skador.

Läs alla varningar och försiktighetsåtgärder före montering. Det rekommenderas att barn övervakas när de leker med denna produkt.

Denna produkt ska endast monteras av 2 vuxna!

Vi uppskattar att du köpte en av våra många fina produkter. Vi är säkra på att du kommer att bli mycket nöjd med ditt val.

# **ANVÄND FÖRSIKTIGHETSÅTGÄRDER**



## **VARNING:**

### **FÖR ATT FÖRHINDRA ALLVARLIGA SKADOR OCH DÖDSFALL GENOM TIPPNING:**

1. Använd endast enligt avsikten. Sitt eller stå inte på produkten.
2. Kontrollera före varje användning. Använd den inte om delarna är lösa eller skadade.

Om några delar saknas, är trasiga, skadade eller slitna, sluta använda den här produkten tills reparationer är utförda och faktiska eller ersättningsdelar är installerade.

## **VARNING:**

# För din säkerhet, vänligen doppa eller häng inte i basketkorgen.

## SPARA DESSA INSTRUKTIONER

### MONTERING

#### ① MEDDELANDE

- Läs alla instruktioner innan du försöker installera eller montera den här produkten. Montering bör endast utföras av vuxna.
- Bekräfta återigen att alla att bultar, skruvar och vred är säkrade före varje användning.
- Denna produkt är avsedd för utomhusbruk.
- Om några delar saknas, är trasiga, skadade eller slitna, sluta använda den här produkten tills reparationer har utförts och/eller fabriksreservdelar har installerats.



# SAFETY INSTRUCTIONS



FAILURE TO FOLLOW THESE SAFETY INSTRUCTIONS MAY RESULT IN SERIOUS INJURY OR PROPERTY DAMAGE AND WILL VOID WARRANTY.

To ensure safety, do not attempt to assemble this system without following the instructions carefully. Check entire box and inside all packing material for parts and/or additional instruction material. Before beginning assembly, read the instructions and identify parts using the hardware identifier and parts list in this document. Proper and complete assembly, use, and supervision are essential for proper operation and to reduce the risk of accident or injury. A high probability of serious injury exists if this system is not installed, maintained, and operated properly.

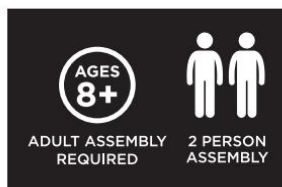
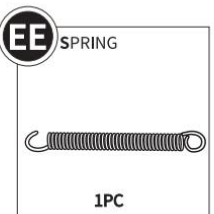
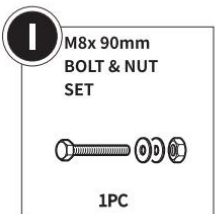
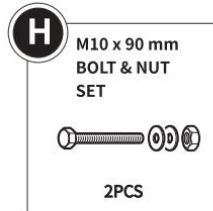
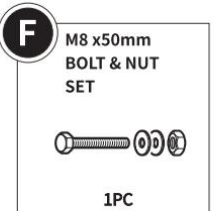
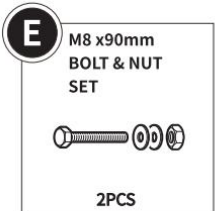
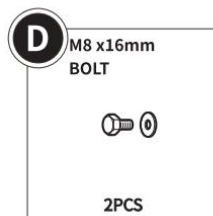
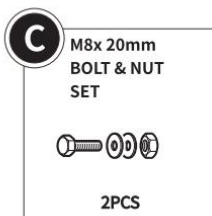
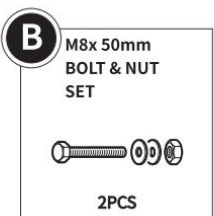
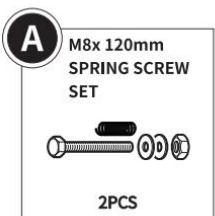
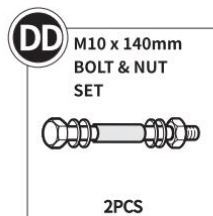
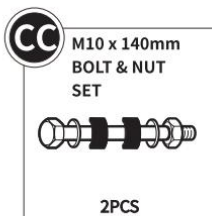
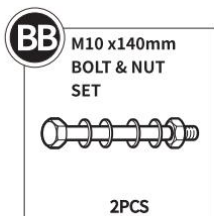
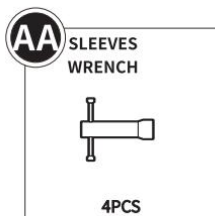
- If using a ladder during assembly, use extreme caution.
- 2 capable adults are recommended for this operation.
- Check base daily for leakage. Leaks will cause system to fall.
- Assemble the pole sections properly (if applicable). Failure to do so could cause the pole sections to separate during play or transport.
- The adjustable height from rim to floor is 1.15-2.1 m.

## **VARNING**

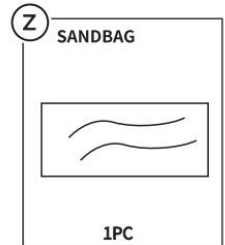
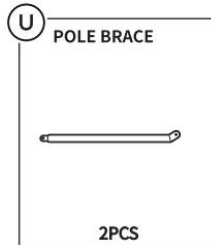
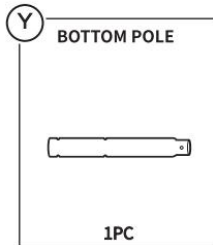
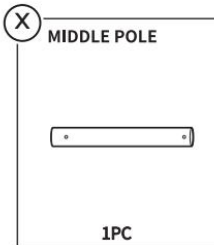
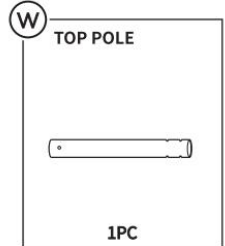
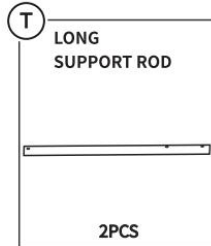
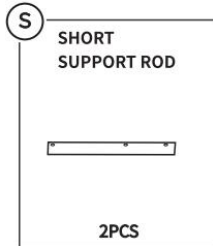
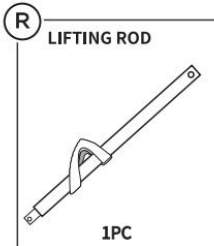
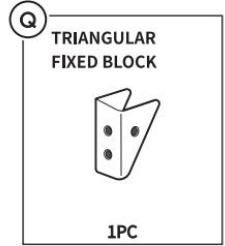
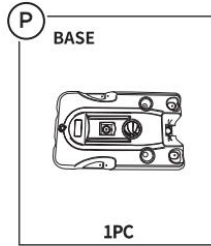
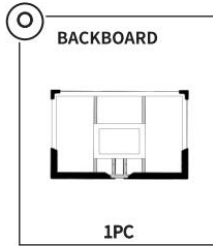
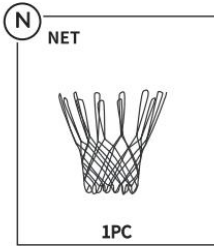
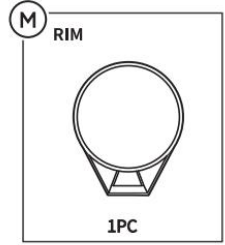
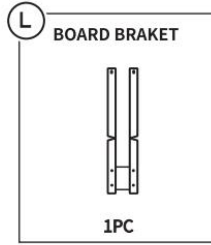
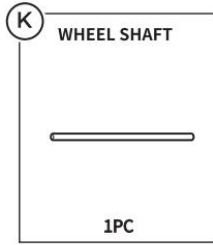
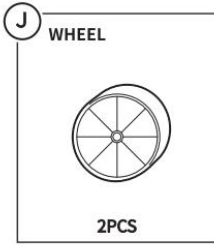
- Glida, klättra eller lek inte på basen eller stången.
- Fyll basen helt enligt tillverkarens anvisningar, annars kommer föremålet att välta snabbt och orsaka allvarliga personskador.
- Låt inte barn flytta eller justera föremålet.
- Ytan under basen måste vara slät och fri från grus eller andra föremål. Punkteringar kan orsaka läckage och kan få föremålet att välta.
- Kontrollera stången och alla metalldelar för rost en gång i månaden. Avlägsna rosten helt och måla om med utvändigt emalj. Om rost har trängt in i någon ståldel, byt ut den delen omedelbart.
- Kontrollera före varje användning att ballasten är korrekt, lösa hårdvara, instabilitet, och tecken på korrosion, och reparera före varje användning. Spela aldrig på skadad utrustning.
- Klättra inte på basen eller konstruktionen i allmänhet, eftersom det kan leda till allvarliga skador.
- Överdriv inte dra åt hårdvaran eftersom det kan skada produktens struktur.
- Justering och flyttning av korgsetet måste utföras av vuxna.
- Placera alltid apparatens bas på en plan yta.

- Setet kräver två personer för montering.
- Kontrollera regelbundet att basen inte läcker innan du spelar.

## HARDWARE

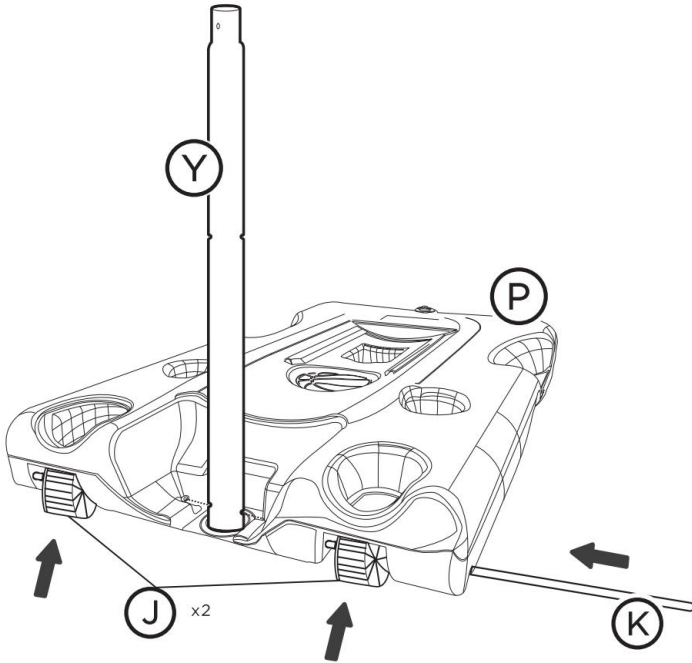


# PARTS

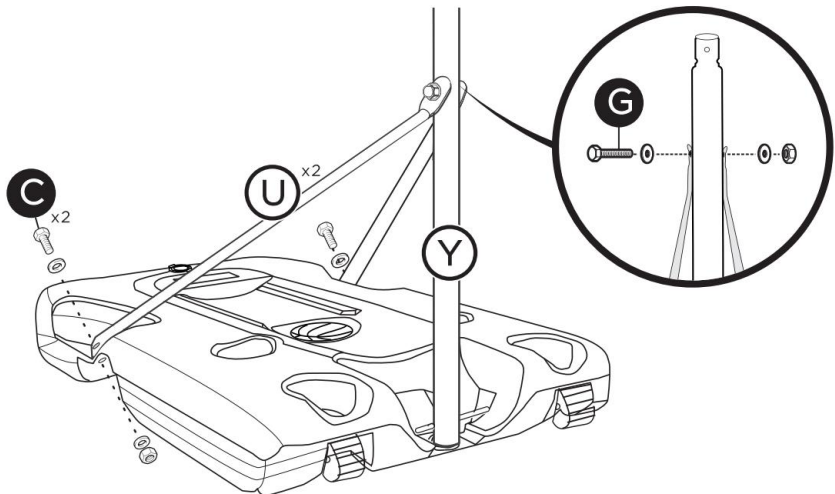


**1**

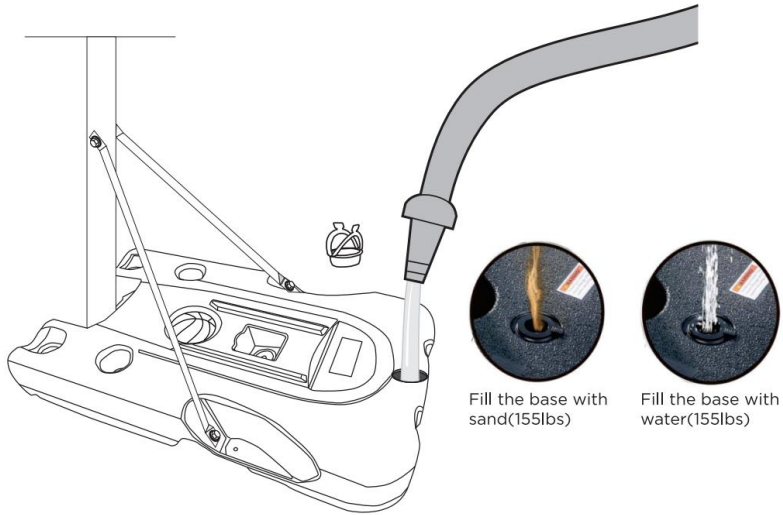
Locate the Base(P) and insert the Bottom pole(Y). Use the Wheel shaft(K) to attach Wheels(J). Place the wheels into the recesses on the front of the base then slide wheel shaft through the hole on the side, The shaft passes through the base, wheel, bottom pole, and then through the other wheel.

**2**

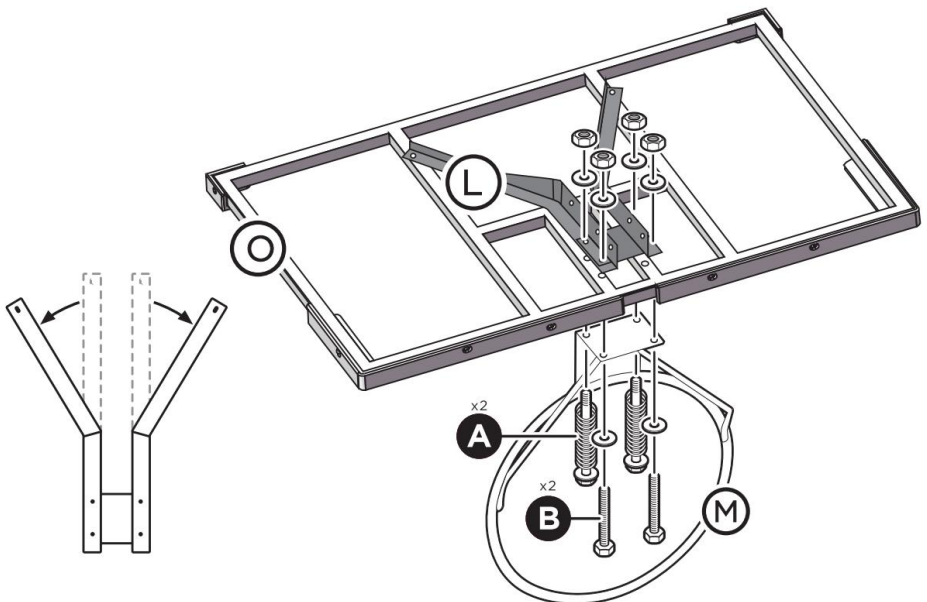
Attach two Pole braces(U) to the Bottom pole(Y) with one bolt set(G). Attach the Pole braces(U) to the Base(P) with two bolt sets(C).



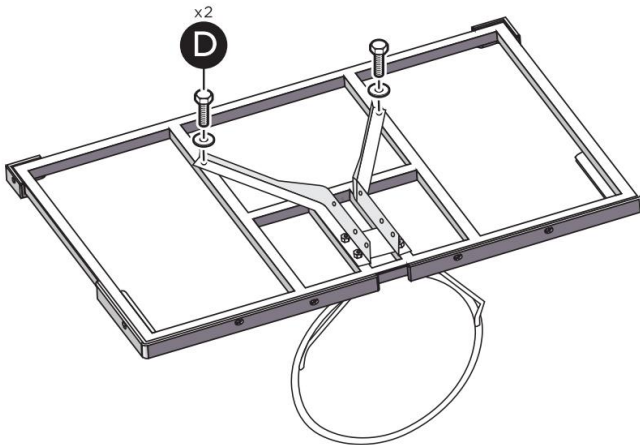
- 3** Move the base to the right position, add water or sand.  
NOTE: Do not mix sand and water



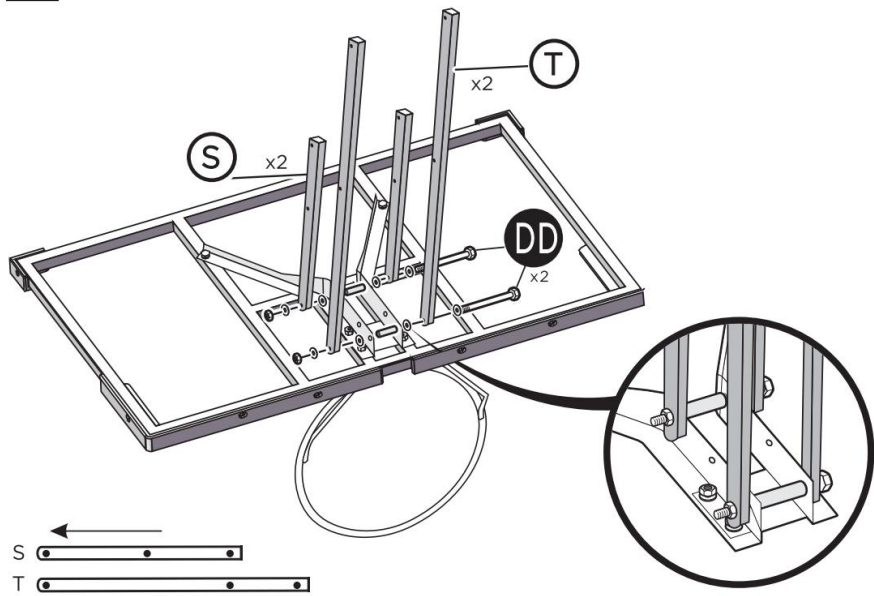
- 4** Locate the Board bracket(L),then gently bend the two tines into a y shape. Attach the Rim(M) and Board bracket(L) to the Backboard(O) with two Bolt sets(A) and two Bolt sets(B).Use the Bolts(A) in the top holes of the Rim(M) and the Bolts(B) for the bottom holes.



**5** Attach Board bracket(L) to the back of the Backboard(O) with two bolts(D).



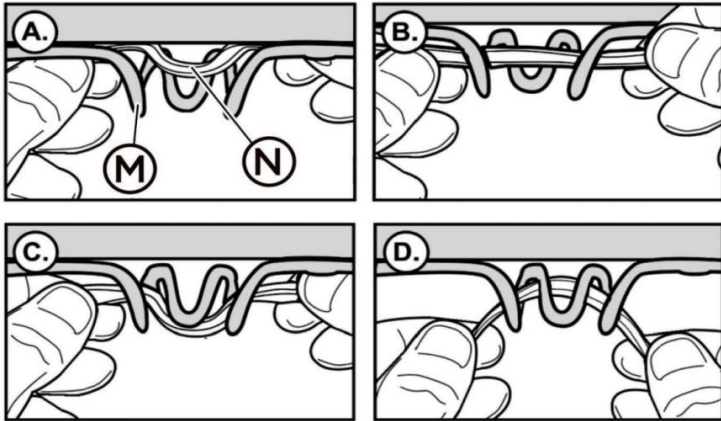
**6** Fix the short support rod(S) and long support rod(T) with the Board bracket(L) with two Bolts(DD).



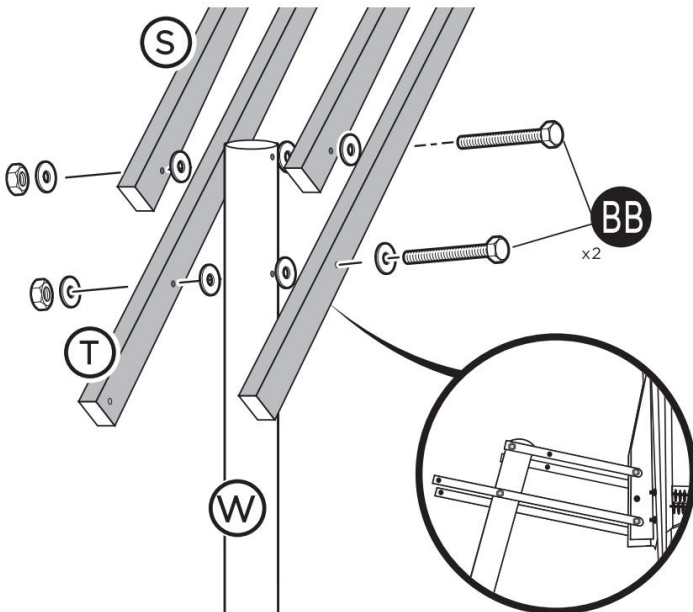
This Round head end shall be oriented toward the backboard as illustrated. Please note the hole positions.

**7**

Attach the Net(N) to the Rim(M) as shown:

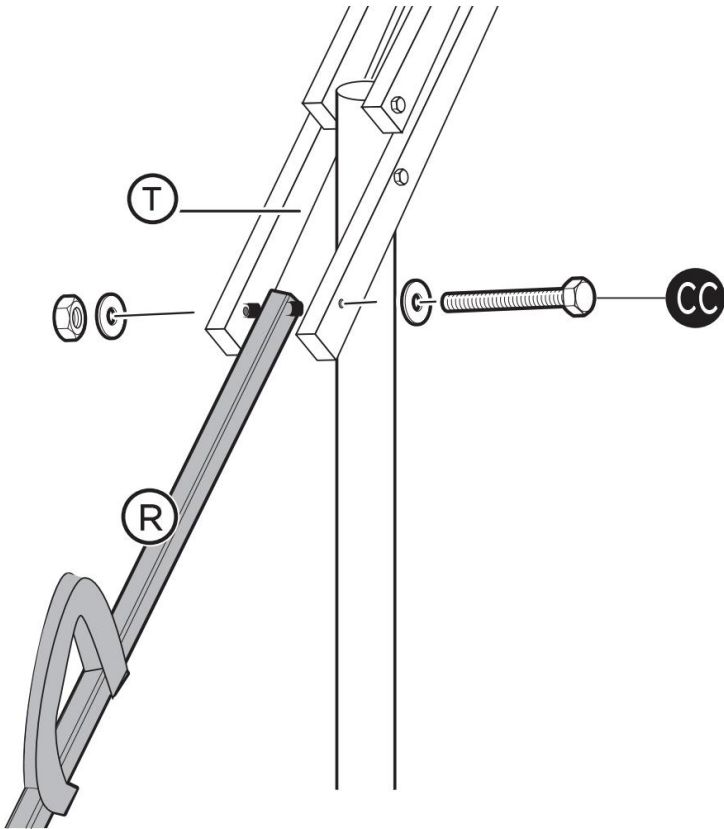
**8**

Attach the Short support rods(S) to the Top pole(W) with Bolt set(BB).  
Attach the Long support rods(T) to the Top pole(W) with Bolt set(BB).

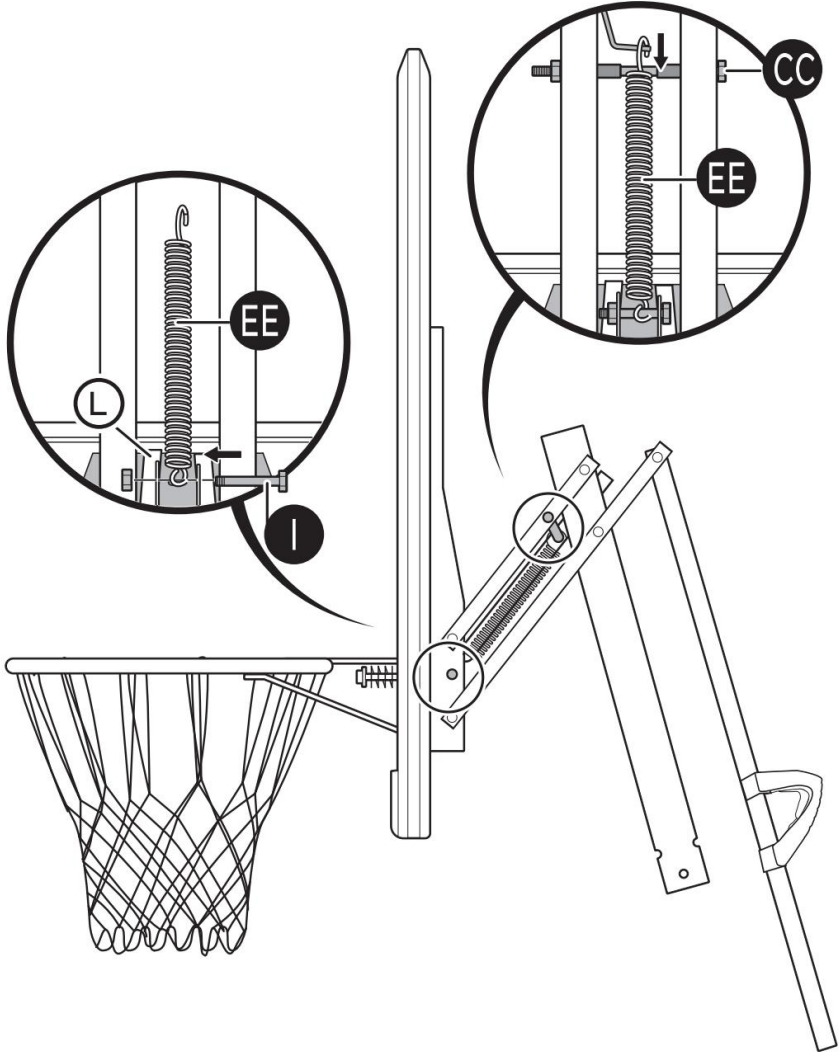


**9**

Attach the Lifting rod(R) to the ends of the Long support rods(T) with Bolt set(CC).

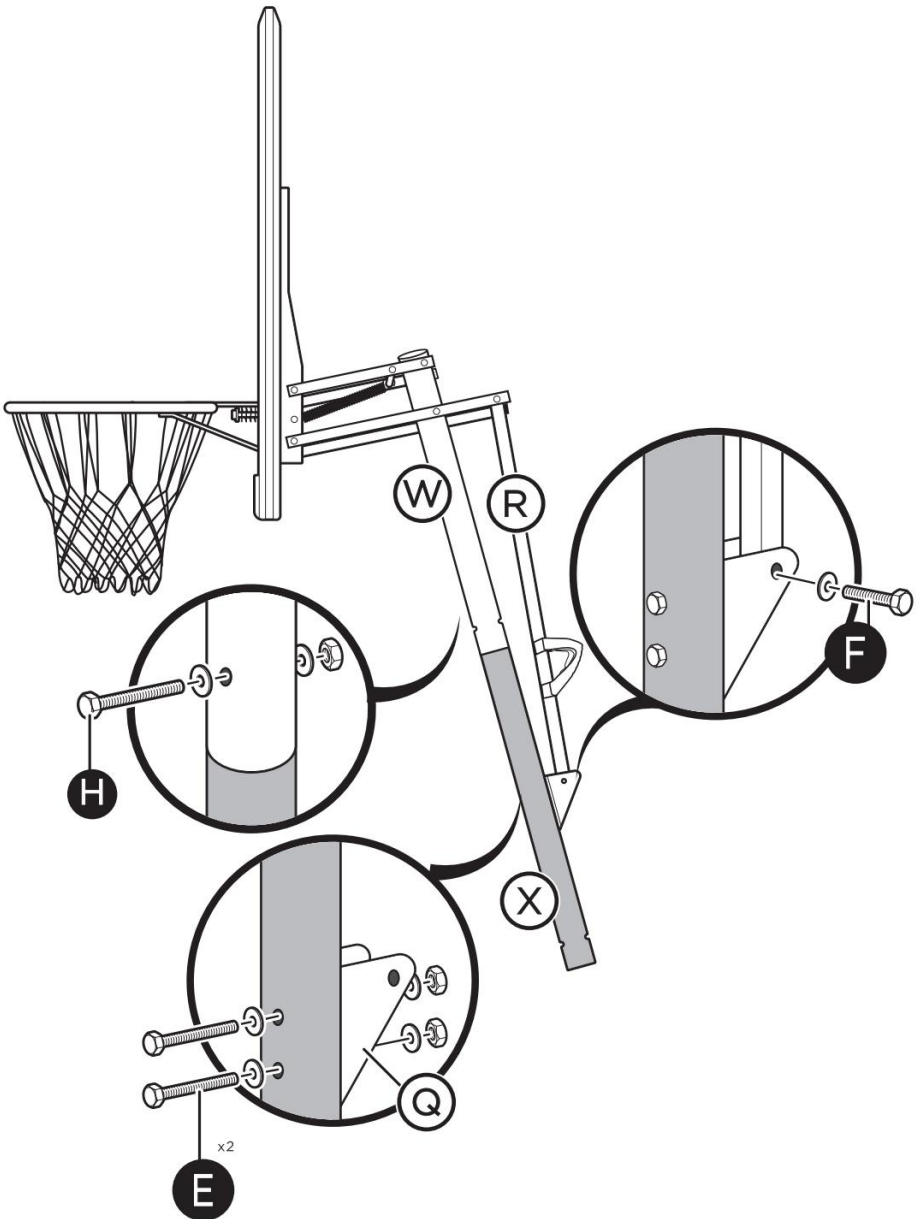


- 10** First, install bolt set (CC) at the middle hole positions of the two Short Support Rods (S). Next, insert bolt set (I) into the central hole position of the Board Bracket (L), while threading one end of the spring (EE) onto the bolt set (I). Finally, hook the white cord to the free end of the spring (EE), then apply tension to securely engage it with bolt set (CC) on the Short Support Rods (S).

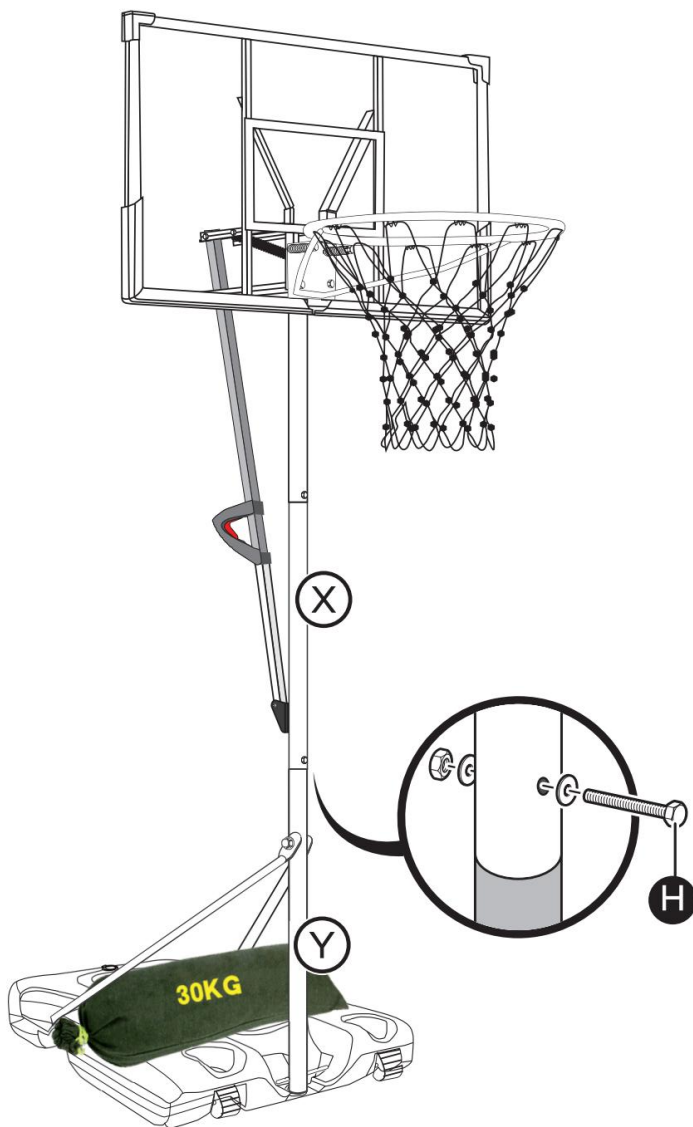


**11**

Slide the Middle pole(X) into the Top pole(W), then secure with bolt set(H). Attach the Triangular block(Q) to the Middle pole(X) with two bolt sets(E). Attach the Lifting rod(R) to the Triangular block(Q) with bolt set(F).



- 12** Insert the assembled middle pole onto the previously assembled bottom pole and connect it with bolt set(H).  
To make the basketball hoop more stable, fill the sandbag with sand and place it on the base.



**sina barn under lek . Ej lämplig för barn under 3 år. För din säkerhet,  
dunka inte och häng inte i basketkorgen.**

**Tillverkare:** Taizhou Xiangtai Sporting Goods Co., Ltd.

**Adress:** #90, Xinghai Road, Hailing District, Taizhou, Jiangsu, Kina.

**Importerad till Australien:** SIHAO PTY LTD. 1 ROKEVA

STREETEASTWOOD NSW 2122 Australien

**Importerad till USA:** Sanven Technology Ltd. Suite 250, 9166 Anaheim Place, Rancho Cucamonga, CA 91730

<b>UK</b>	<b>REP</b>
-----------	------------

YH CONSULTING LIMITED. C/O YH Consulting Limited Office 147, Centurion House, London Road, Staines-upon-Thames, Surrey, TW18 4AX

<b>EC</b>	<b>REP</b>
-----------	------------

E-CrossStu GmbH  
Mainzer Landstr.69,  
60329 Frankfurt am Main.



