

VEVOR[®]

TOUGH TOOLS, HALF PRICE

Technical Support and E-Warranty Certificate www.vevor.com/support

EXECUTIVE CHAIR

USER MANUAL

MODEL:GF-82722H

We continue to be committed to provide you tools with competitive price.

"Save Half", "Half Price" or any other similar expressions used by us only represents an estimate of savings you might benefit from buying certain tools with us compared to the major top brands and does not necessarily mean to cover all categories of tools offered by us. You are kindly reminded to verify carefully when you are placing an order with us if you are actually Saving Half in comparison with the top major brands.

VEVOR®

TOUGH TOOLS, HALF PRICE

EXECUTIVE CHAIR

MODEL: GF-82722H



NEED HELP? CONTACT US!

Have product questions? Need technical support? Please feel free to contact us:

Technical Support and E-Warranty Certificate
www.vevor.com/support

This is the original instruction, please read all manual instructions carefully before operating. VEVOR reserves a clear interpretation of our user manual. The appearance of the product shall be subject to the product you received. Please forgive us that we won't inform you again if there are any technology or software updates on our product.

SAFETY INSTRUCTIONS

WARNING:

Read this instructions carefully before using this product. Failure to do so can result in serious injury.

Assembly precautions

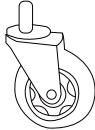

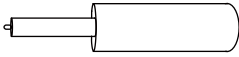
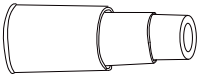
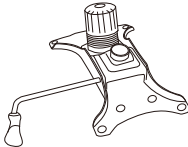
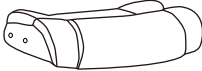
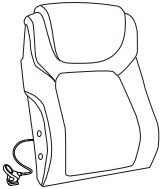




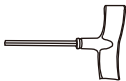
1. Assemble only should be according to these instructions. Improper assembly can result in hazards.
2. Wear ANSI-approved safety goggles and heavy-duty work gloves during assembly.
3. Keep the assembly area clean and well-lit.
4. Keep bystanders out of the area during assembly.
5. Do not assemble when tired or when under the influence of alcohol, drugs or medication.
6. The product capabilities apply to properly and completely assembled products only.
7. Assemble on a flat, level, hard and smooth surface capable of safely supporting the executive chair.
8. For additional information regarding the parts listed in the following pages, please refer to the Assembly Diagram of this manual. Unwrap and separate all parts in a clean work area.

Use precautions

1. Do not exceed weight capacities.
2. Use only on a flat, level, hard and smooth surface capable of safely supporting a fully loaded executive chair.
3. Use as intended only.
4. Inspect before every use; do not use if parts are loose or damaged.

SAVE THESE INSTRUCTIONS

PARTS LIST

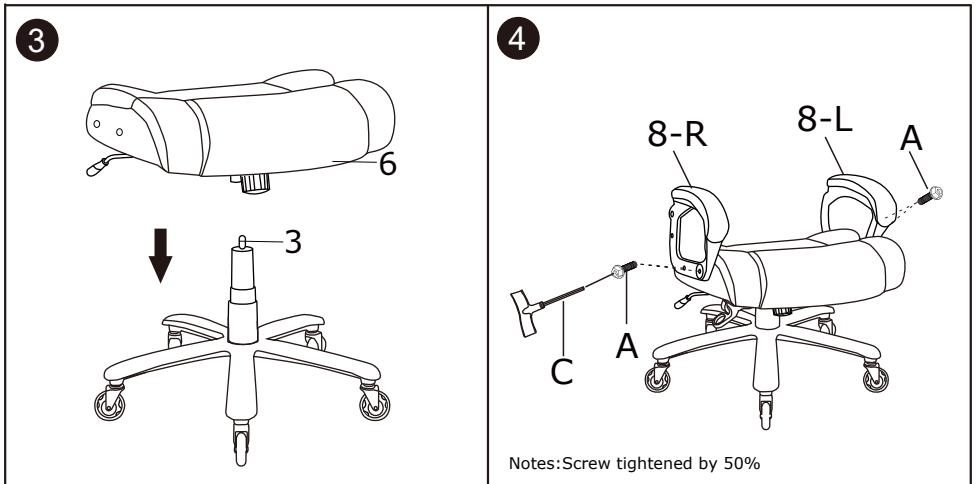
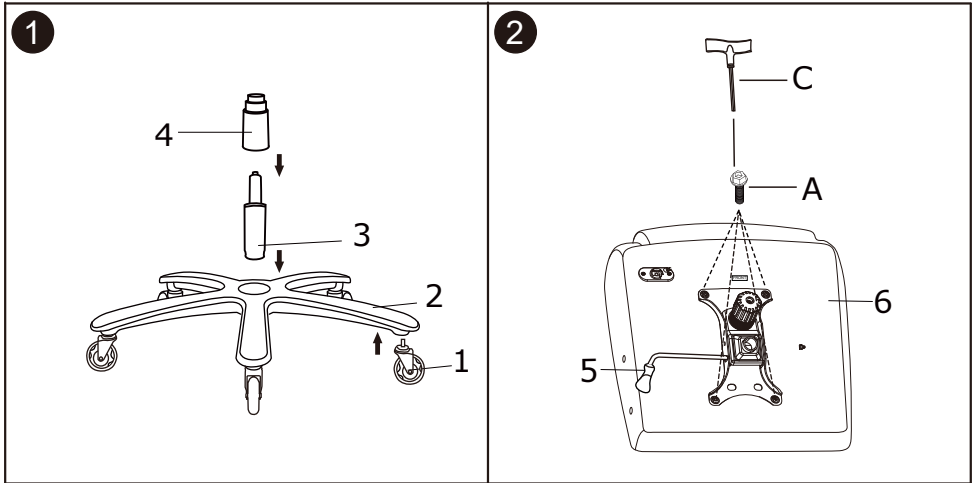
(1)	(2)	(3)	
			
Caster : 5 pcs	Base : 1 pc	Gas Lift : 1 pc	
(4)	(5)	(6)	
			
Gas Lift Cover : 1 pc	Seat Plate : 1 pc	Seat Cushion : 1 pc	
(7)	(8)		
	<div style="display: flex; justify-content: space-around;"> <div style="text-align: center;">8-R </div> <div style="text-align: center;">8-L </div> </div>		
Back Cushion : 1 pc	Armrest: 1 Pair		
Hardware			
A	B	C	
			
1/4x1" Screw : 12 pcs	Cap : 8 pcs	Wrench : 1 pc	

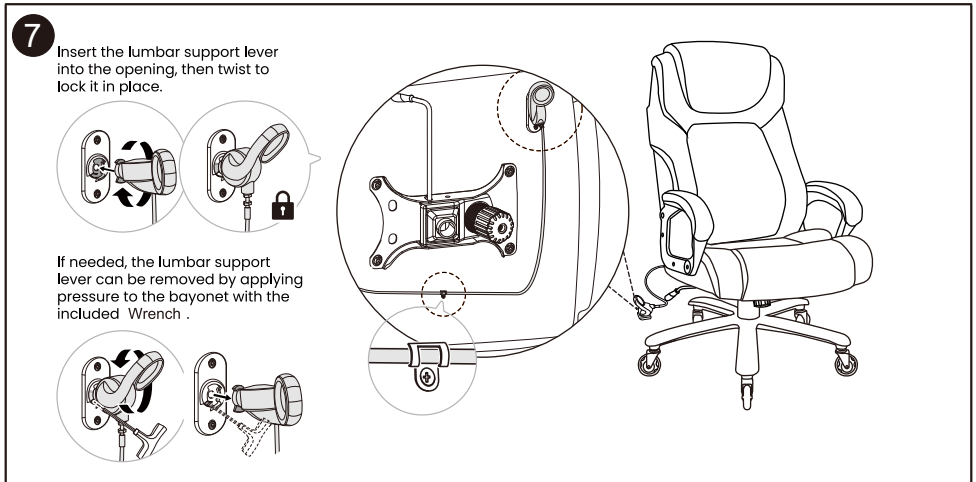
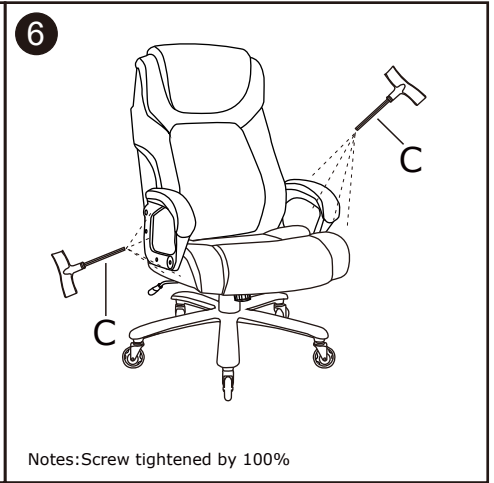
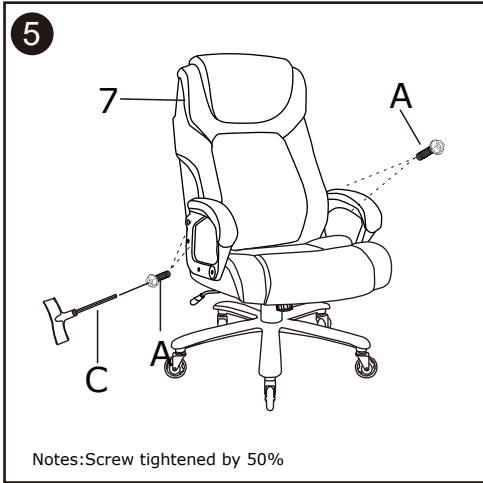
Spare Parts

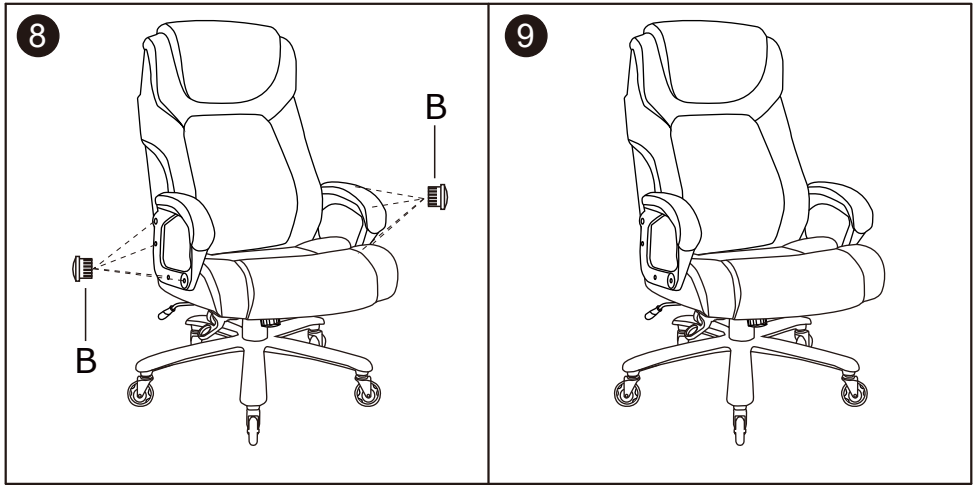
	
1/4x1" Screw : 1 pc	Cap : 1 pc

ASSEMBLY STEP

—A







PRODUCT PARAMETER

Package size (mm)	815*445*705
Size (mm)	720W*750D*1145H
N.W (kg)	26
G.W (kg)	29.5
Colour	Black
Lifting range	≤80 mm
Backrest height	770 mm
Backrest width	600 mm
Cushion width	600 mm
Cushion deep	560 mm
Castor material	PU
Main Material	Iron+Plastic+Bonded leather+High rebound sponge
Load-bearing	≤400 lbs

Manufacturer: Shanghai muxinmuyeyouxiangongsi
Address: Shuangchenglu 803nong11hao1602A-1609shi, baoshanqu, shanghai 200000 CN.
Imported to AUS: SIHAO PTY LTD. 1 ROKEVA STREET EASTWOOD NSW 2122 Australia
Imported to USA: Sanven Technology Ltd. Suite 250, 9166 Anaheim Place, Rancho Cucamonga, CA 91730

EC	REP
-----------	------------

E-CrossStu GmbH
Mainzer Landstr.69,
60329 Frankfurt am Main.

UK	REP
-----------	------------

YH CONSULTING LIMITED.
C/O YH Consulting Limited Office 147,
Centurion House, London Road,
Staines-upon-Thames, Surrey, TW18 4AX

VEVOR[®]

TOUGH TOOLS, HALF PRICE

Technical Support and E-Warranty Certificate

www.vevor.com/support

VEVOR[®]

TOUGH TOOLS, HALF PRICE

Technical Support and E-Warranty Certificate www.vevor.com/support

EXECUTIVE CHAIR

USER MANUAL

MODEL:GF-82722H

Nous continuons à nous engager à vous fournir des outils à des prix compétitifs.

« Économisez la moitié », « Moitié prix » ou toute autre expression similaire utilisée par nous ne représente qu'une estimation des économies que vous pourriez réaliser en achetant certains outils chez nous par rapport aux grandes marques et ne couvre pas nécessairement toutes les catégories d'outils que nous proposons. Nous vous rappelons de bien vouloir vérifier soigneusement lorsque vous passez une commande chez nous si vous économisez réellement la moitié par rapport aux grandes marques.

VEVOR[®]

TOUGH TOOLS, HALF PRICE

EXECUTIVE CHAIR

MODEL: GF-82722H



BESOIN D'AIDE? CONTACTEZ-NOUS!

Vous avez des questions sur nos produits ? Vous avez besoin d'assistance technique ?
N'hésitez pas

à nous contacter : Assistance technique et certificat de garantie
électronique www.vevor.com/support

Il s'agit de la notice d'utilisation d'origine. Veuillez lire attentivement toutes les instructions du manuel avant de l'utiliser. VEVOR se réserve le droit d'interpréter clairement notre manuel d'utilisation. L'apparence du produit dépend du produit que vous avez reçu. Veuillez nous excuser, nous ne vous informerons plus en cas de mise à jour technologique ou logicielle de notre produit.

SAFETY INSTRUCTIONS

WARNING:

Read this instructions carefully before using this product. Failure to do so can result in serious injury.

Assembly precautions



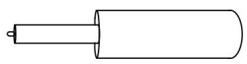
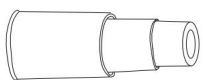
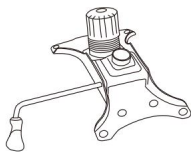

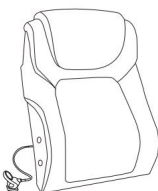
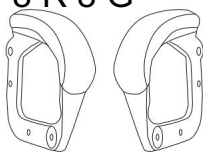


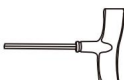
1. Assemble only should be according to these instructions. Improper assembly can result in hazards.
2. Wear ANSI-approved safety goggles and heavy-duty work gloves during assembly.
3. Keep the assembly area clean and well-lit.
4. Keep bystanders out of the area during assembly.
5. Do not assemble when tired or when under the influence of alcohol, drugs or medication.
6. The product capabilities apply to properly and completely assembled products only.
7. Assemble on a flat, level, hard and smooth surface capable of safely supporting the executive chair.
8. For additional information regarding the parts listed in the following pages, please refer to the Assembly Diagram of this manual. Unwrap and separate all parts in a clean work area.

Use precautions



1. Do not exceed weight capacities.
2. Use only on a flat, level, hard and smooth surface capable of safely supporting a fully loaded executive chair.
3. Use as intended only.
4. Inspect before every use; do not use if parts are loose or damaged.

SAVE THESE INSTRUCTIONS

PARTS LIST

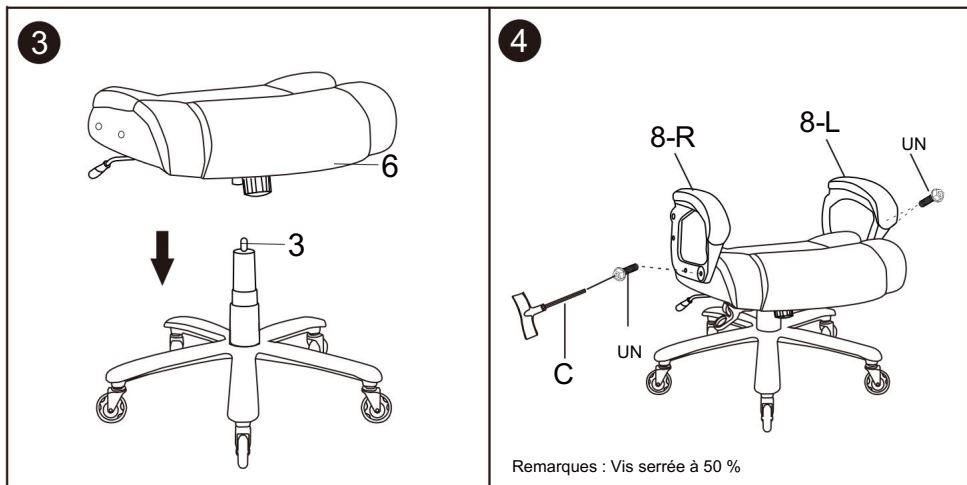
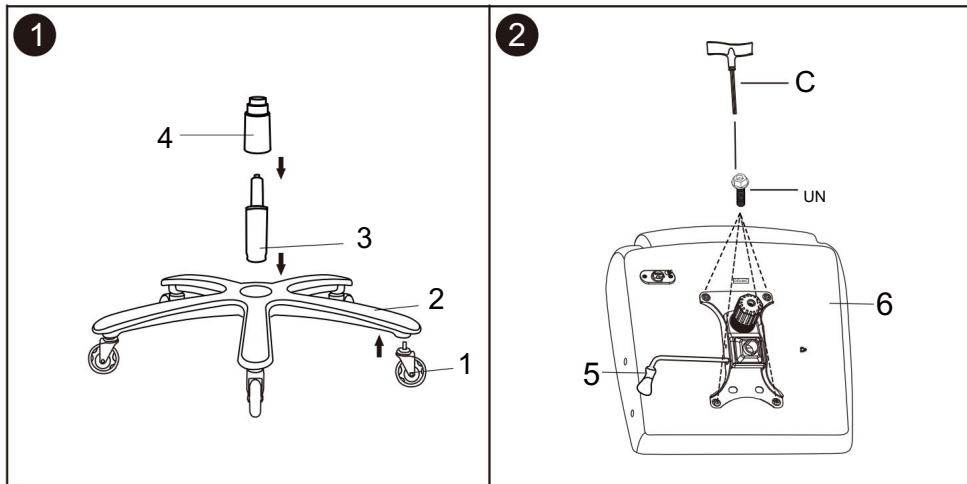
(1)	(2)	(3)	
 <p>Roulette : 5</p>	 <p>Base : 1</p>	 <p>Vérin à gaz : 1</p>	
pièces (4)	pièce (5)	pièce (6)	
 <p>Couvercle de vérin à gaz : 1 pièce</p>	 <p>Plaque de siège : 1 pièce</p>	 <p>Coussin de siège : 1 pièce</p>	
(7)	(8)		
 <p>Coussin de dossier : 1 pièce</p>	<p>8-R 8-G</p>  <p>Accoudoirs : 1 paire</p>		
Matériel			
UN	B	C	
 <p>1/4x1" Vis : 12 pièces</p>	 <p>Bouchon : 8 pièces</p>	 <p>Clé : 1 pièce</p>	

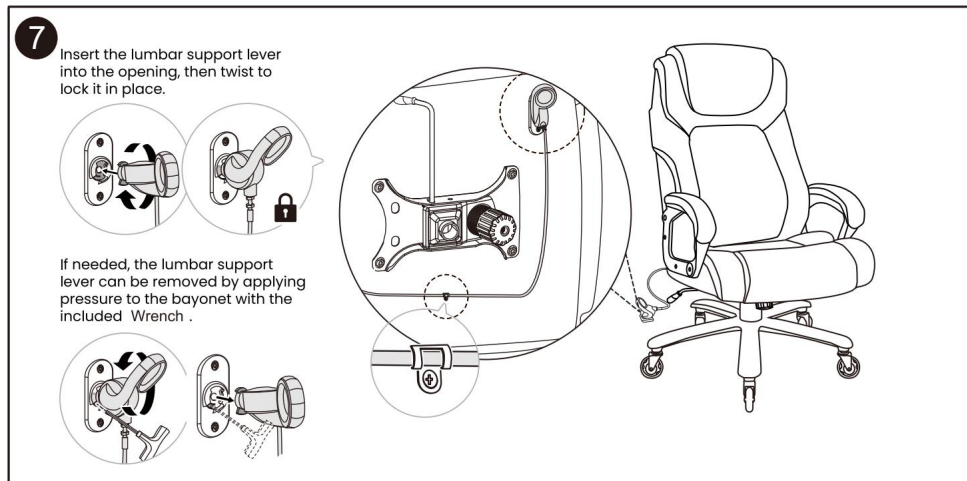
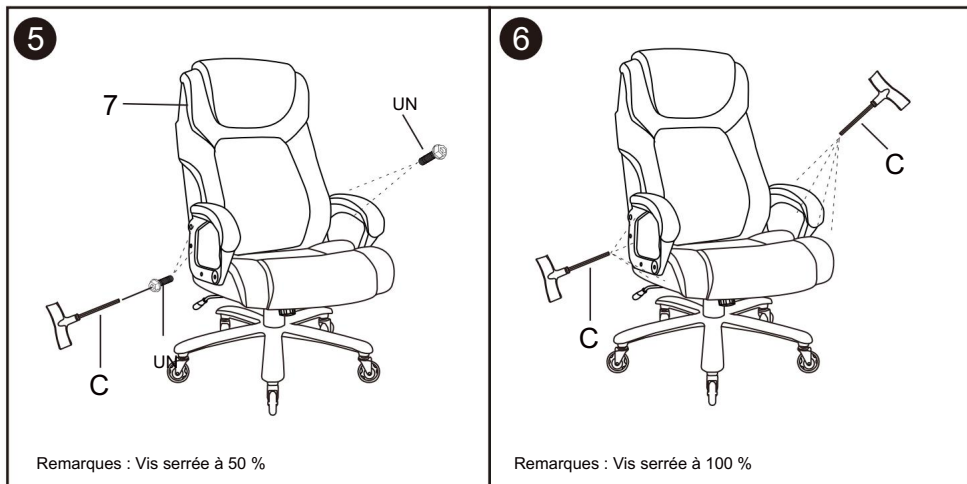
Des pièces de rechange

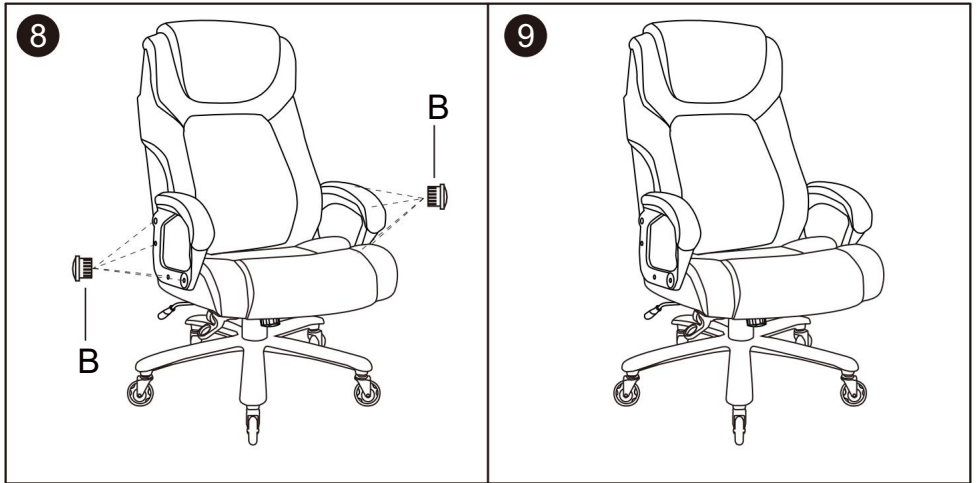
 <p>1/4x1" Vis : 1 pièce</p>	 <p>Bouchon : 1 pièce</p>
---	--

ASSEMBLY STEP

UN







PRODUCT PARAMETER

Package size (mm)	815*445*705
Size (mm)	720W*750D*1145H
N.W (kg)	26
G.W (kg)	29.5
Colour	Black
Lifting range	≤80 mm
Backrest height	770 mm
Backrest width	600 mm
Cushion width	600 mm
Cushion deep	560 mm
Castor material	PU
Main Material	Iron+Plastic+Bonded leather+High rebound sponge
Load-bearing	≤400 lbs

Fabricant : Shanghaimuxinmuyeyouxiangongsi

Adresse : Shuangchenglu 803nong11hao1602A-1609shi, baoshanqu, Shanghai 200000 CN.

Importé en Australie : SIHAO PTY LTD. 1 ROKEVA STREETEASTWOOD NSW 2122 Australie

Importé aux États-Unis : Sanven Technology Ltd. Suite 250, 9166 Anaheim Place, Rancho Cucamonga, CA 91730



E-CrossStu GmbH
Mainzer Landstr.69,
60329 Francfort-sur-le-Main.



YH CONSULTING LIMITÉE.
A/S YH Consulting Limited Bureau 147, Centurion
House, London Road, Staines-upon-
Thames, Surrey, TW18 4AX

VEVOR[®]

TOUGH TOOLS, HALF PRICE

Technical Support and E-Warranty Certificate

www.vevor.com/support

VEVOR[®]

TOUGH TOOLS, HALF PRICE

Technical Support and E-Warranty Certificate www.vevor.com/support

EXECUTIVE CHAIR

USER MANUAL

MODEL:GF-82722H

Wir sind weiterhin bestrebt, Ihnen Werkzeuge zu wettbewerbsfähigen Preisen anzubieten.

„Sparen Sie die Hälfte“, „Halber Preis“ oder andere ähnliche Ausdrücke, die wir verwenden, stellen nur eine Schätzung der Ersparnis dar, die Sie beim Kauf bestimmter Werkzeuge bei uns im Vergleich zu den großen Topmarken erzielen können, und decken nicht unbedingt alle von uns angebotenen Werkzeugkategorien ab. Wir möchten Sie freundlich daran erinnern, bei der

Bestellung bei uns sorgfältig zu prüfen, ob Sie im Vergleich zu den großen Topmarken tatsächlich die Hälfte sparen.

VEVOR[®]

TOUGH TOOLS, HALF PRICE

EXECUTIVE CHAIR

MODEL: GF-82722H



Brauchen Sie Hilfe? Kontaktieren Sie uns!

Haben Sie Fragen zum Produkt? Benötigen Sie technischen Support? Bitte kontaktieren Sie uns:

Technischer Support und E-Garantie-Zertifikat www.vevor.com/support

Dies ist die Originalanleitung. Bitte lesen Sie alle Anweisungen sorgfältig durch, bevor Sie das Gerät in Betrieb nehmen. VEVOR behält sich eine klare Auslegung unserer Bedienungsanleitung vor. Das Erscheinungsbild des Produkts richtet sich nach dem Produkt, das Sie erhalten haben. Bitte verzeihen Sie uns, dass wir Sie nicht erneut informieren, wenn es Technologie- oder Software-Updates für unser Produkt gibt.

SAFETY INSTRUCTIONS

WARNING:

Read this instructions carefully before using this product. Failure to do so can result in serious injury.

Assembly precautions



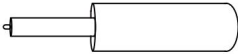
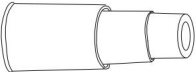
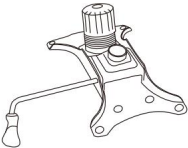

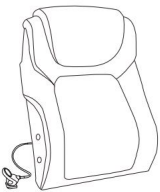
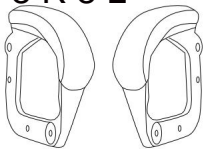



1. Assemble only should be according to these instructions. Improper assembly can result in hazards.
2. Wear ANSI-approved safety goggles and heavy-duty work gloves during assembly.
3. Keep the assembly area clean and well-lit.
4. Keep bystanders out of the area during assembly.
5. Do not assemble when tired or when under the influence of alcohol, drugs or medication.
6. The product capabilities apply to properly and completely assembled products only.
7. Assemble on a flat, level, hard and smooth surface capable of safely supporting the executive chair.
8. For additional information regarding the parts listed in the following pages, please refer to the Assembly Diagram of this manual. Unwrap and separate all parts in a clean work area.

Use precautions



1. Do not exceed weight capacities.
2. Use only on a flat, level, hard and smooth surface capable of safely supporting a fully loaded executive chair.
3. Use as intended only.
4. Inspect before every use; do not use if parts are loose or damaged.

SAVE THESE INSTRUCTIONS

PARTS LIST

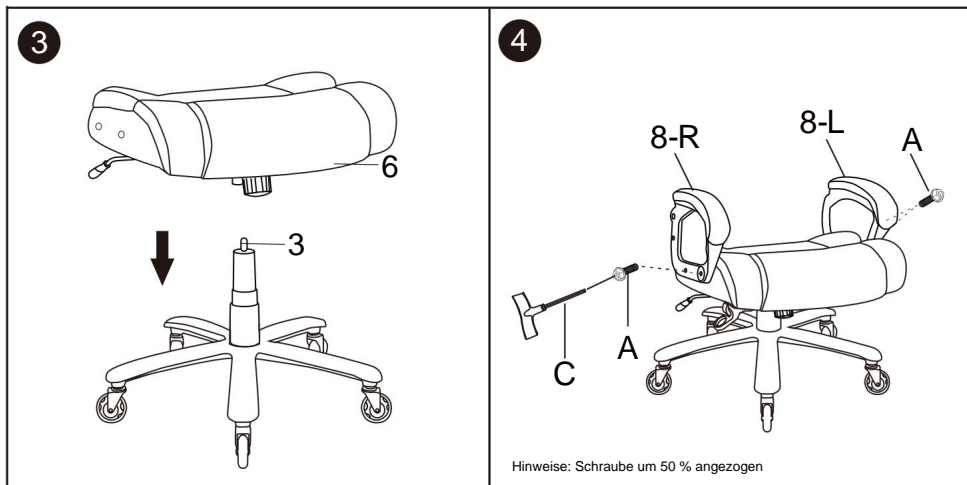
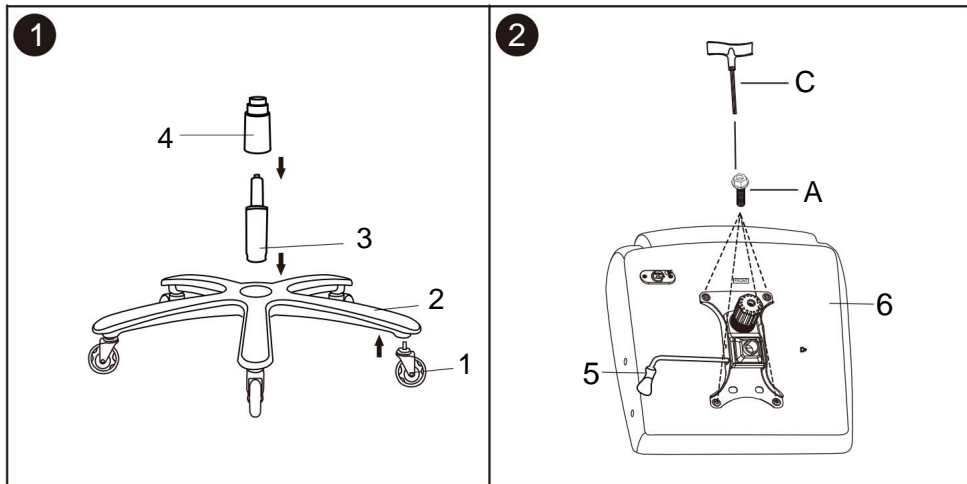
(1)	(2)	(3)
 <p>Lenkrolle: 5</p>	 <p>Basis: 1</p>	 <p>Gasdruckfeder: 1</p>
Stück (4)	Stück (5)	Stk. (6)
 <p>Gasdruckfeder-Abdeckung: 1 Stück</p>	 <p>Sitzplatte: 1 Stk.</p>	 <p>Sitzkissen : 1 Stück</p>
(7)	(8)	
 <p>Rückenkissen : 1 Stück</p>	<p>8-R 8-L</p>  <p>Armlehne: 1 Paar</p>	
Hardware		
A	B	C
 <p>1/4 x 1 Zoll</p> <p>Schraube: 12 Stück</p>	 <p>Kappe: 8 Stück</p>	 <p>Schraubenschlüssel: 1 Stück</p>

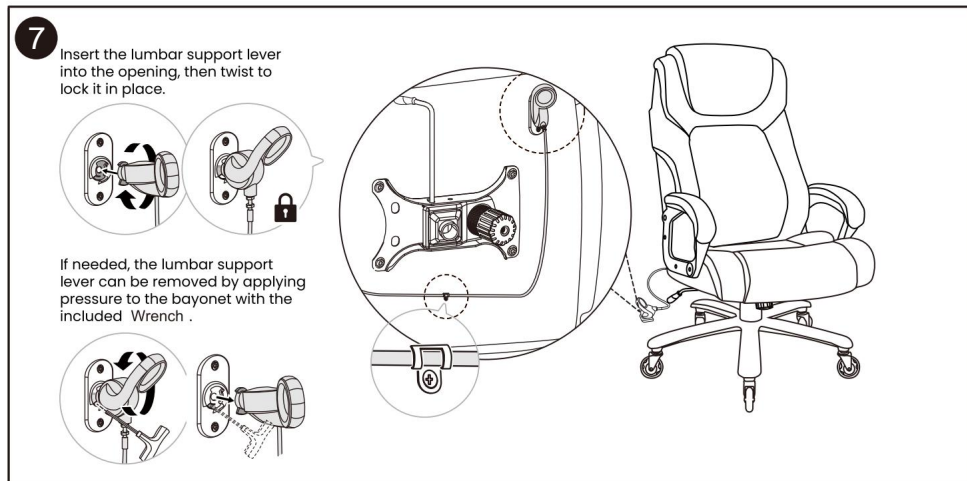
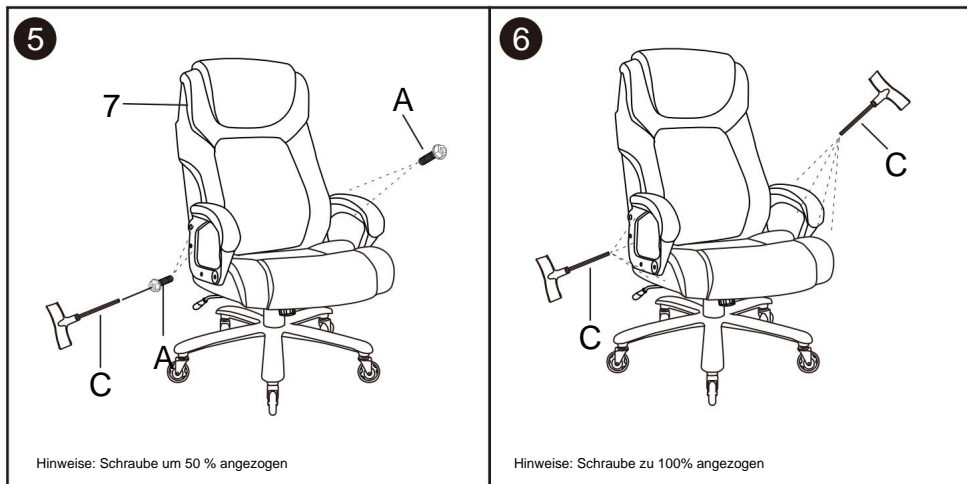
Ersatzteile

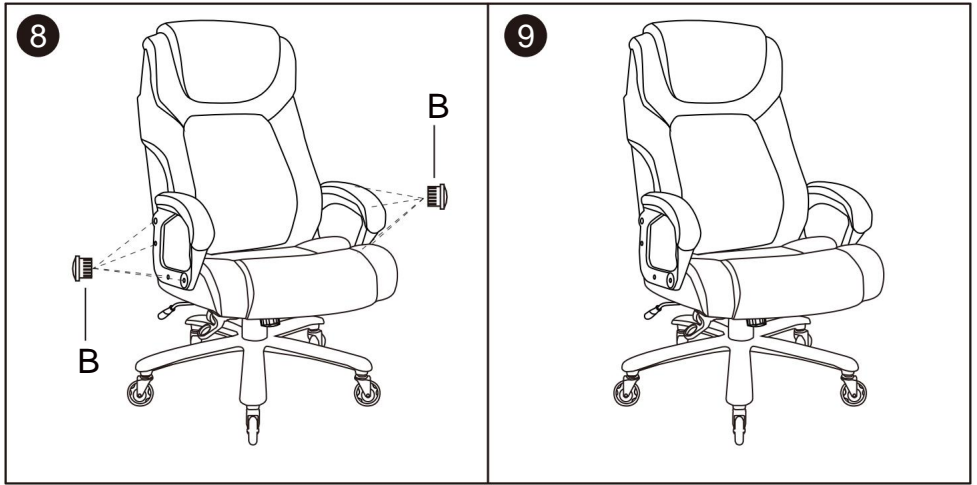
 <p>1/4 x 1 Zoll</p> <p>Schraube: 1 Stück</p>	 <p>Kappe: 1 Stück</p>
--	---

ASSEMBLY STEP

— A







PRODUCT PARAMETER

Package size (mm)	815*445*705
Size (mm)	720W*750D*1145H
N.W (kg)	26
G.W (kg)	29.5
Colour	Black
Lifting range	≤80 mm
Backrest height	770 mm
Backrest width	600 mm
Cushion width	600 mm
Cushion deep	560 mm
Castor material	PU
Main Material	Iron+Plastic+Bonded leather+High rebound sponge
Load-bearing	≤400 lbs

Hersteller: Shanghai muxin muyeyouxiangongsi

Adresse: Shuangchenglu 803nong11hao1602A-1609shi, baoshanqu, Shanghai 200000 CN.

Nach AUS importiert: SIHAO PTY LTD. 1 ROKEVA STREET EASTWOOD NSW 2122 Australien

Importiert in die USA: Sanven Technology Ltd. Suite 250, 9166 Anaheim Place, Rancho Cucamonga, CA 91730



E-CrossStu GmbH
Mainzer Landstr.69,
60329 Frankfurt am Main.



YH CONSULTING LIMITED.
C/O YH Consulting Limited Office 147, Centurion
House, London Road, Staines-upon-
Thames, Surrey, TW18 4AX

VEVOR[®]

TOUGH TOOLS, HALF PRICE

Technical Support and E-Warranty Certificate

www.vevor.com/support

VEVOR[®]

TOUGH TOOLS, HALF PRICE

Technical Support and E-Warranty Certificate www.vevor.com/support

EXECUTIVE CHAIR

USER MANUAL

MODEL:GF-82722H

Continuiamo a impegnarci per fornirvi strumenti a prezzi competitivi.

"Risparmia la metà", "Metà prezzo" o qualsiasi altra espressione simile da noi utilizzata rappresenta solo una stima del risparmio che potresti ottenere acquistando determinati utensili con noi rispetto ai principali marchi principali e non significa necessariamente coprire tutte le categorie di utensili da noi offerti. Ti ricordiamo gentilmente di verificare attentamente quando effettui un ordine con noi se stai effettivamente risparmiando la metà rispetto ai principali marchi principali.

VEVOR[®]

TOUGH TOOLS, HALF PRICE

EXECUTIVE CHAIR

MODEL: GF-82722H



HAI BISOGNO DI AIUTO? CONTATTACI!

Hai domande sul prodotto? Hai bisogno di supporto tecnico? Non esitare a contattarci:

Supporto

tecnico e certificato di garanzia elettronica www.vevor.com/

support

Questa è l'istruzione originale, si prega di leggere attentamente tutte le istruzioni del manuale prima di utilizzare. VEVOR si riserva una chiara interpretazione del nostro manuale utente. L'aspetto del prodotto sarà soggetto al prodotto ricevuto. Vi preghiamo di perdonarci se non vi informeremo di nuovo se ci sono aggiornamenti tecnologici o software sul nostro prodotto.

SAFETY INSTRUCTIONS

WARNING:

Read this instructions carefully before using this product. Failure to do so can result in serious injury.



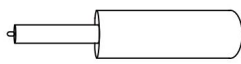
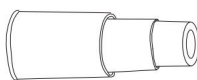
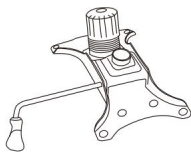

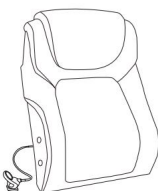
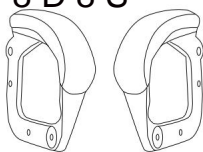


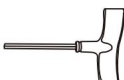
Assembly precautions

1. Assemble only should be according to these instructions. Improper assembly can result in hazards.
2. Wear ANSI-approved safety goggles and heavy-duty work gloves during assembly.
3. Keep the assembly area clean and well-lit.
4. Keep bystanders out of the area during assembly.
5. Do not assemble when tired or when under the influence of alcohol, drugs or medication.
6. The product capabilities apply to properly and completely assembled products only.
7. Assemble on a flat, level, hard and smooth surface capable of safely supporting the executive chair.
8. For additional information regarding the parts listed in the following pages, please refer to the Assembly Diagram of this manual. Unwrap and separate all parts in a clean work area.



Use precautions

1. Do not exceed weight capacities.
2. Use only on a flat, level, hard and smooth surface capable of safely supporting a fully loaded executive chair.
3. Use as intended only.
4. Inspect before every use; do not use if parts are loose or damaged.

SAVE THESE INSTRUCTIONS**PARTS LIST**

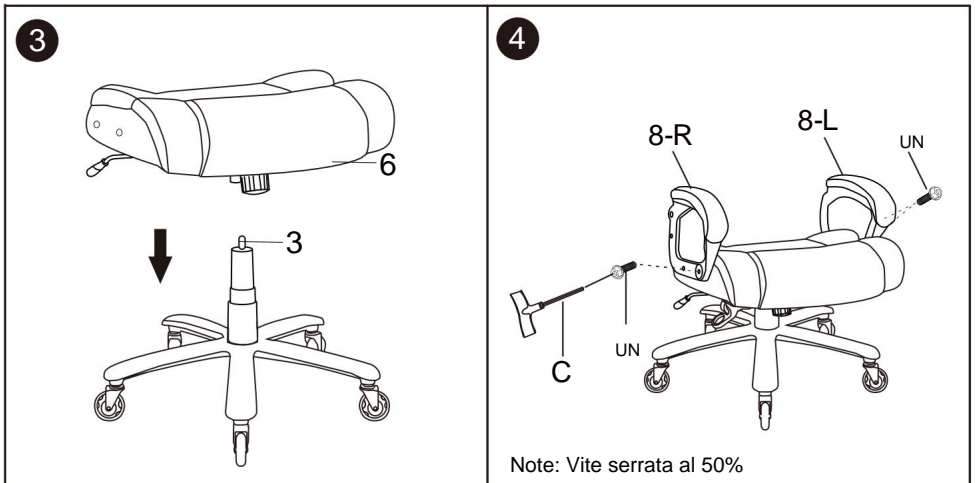
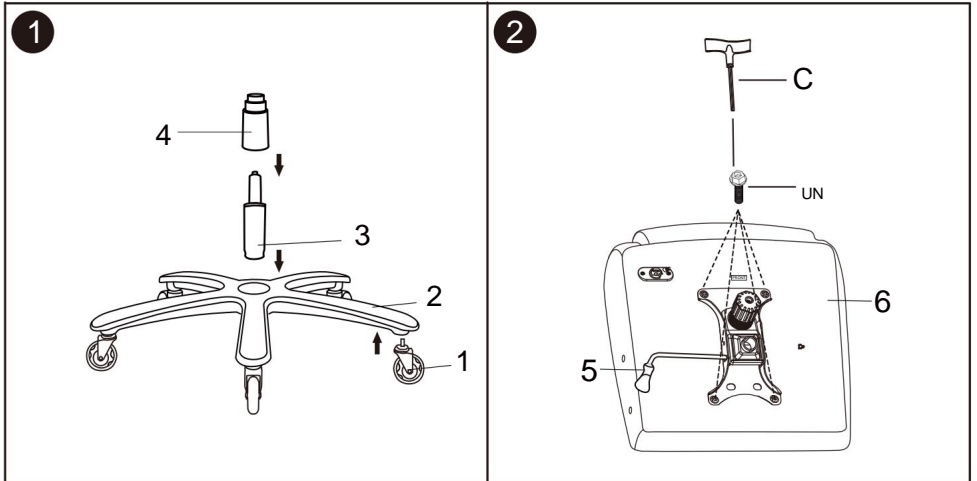
(1)	(2)	(3)
		
Ruote: 5 pezzi	Base: 1 pz	Alzata a gas: 1 pz (6)
(4)	(5)	(6)
		
Copertura del pistone a gas: 1 pz.	Piastra del sedile: 1 pz.	Cuscino del sedile : 1 pz.
(7)	(8)	
	8-D 8-S 	
Cuscino posteriore : 1 pz.	Bracciolo: 1 paio	
Hardware		
UN	B	C
		
1/4x1" Vite: 12 pezzi	Tappo: 8 pezzi	Chiave inglese: 1 pz.

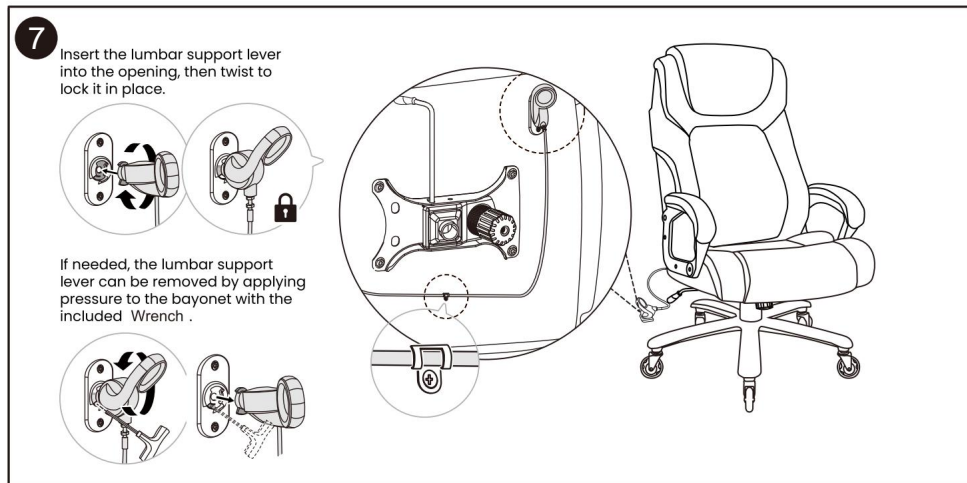
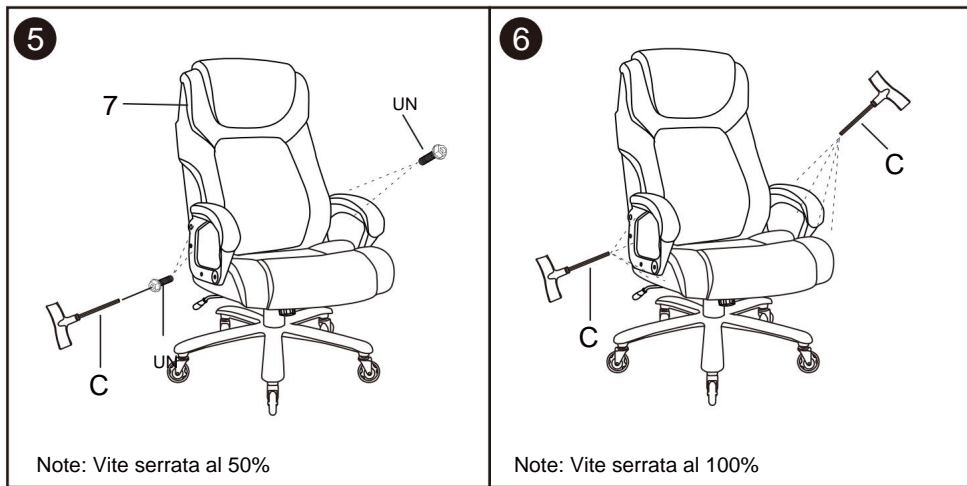
Pezzi di ricambio

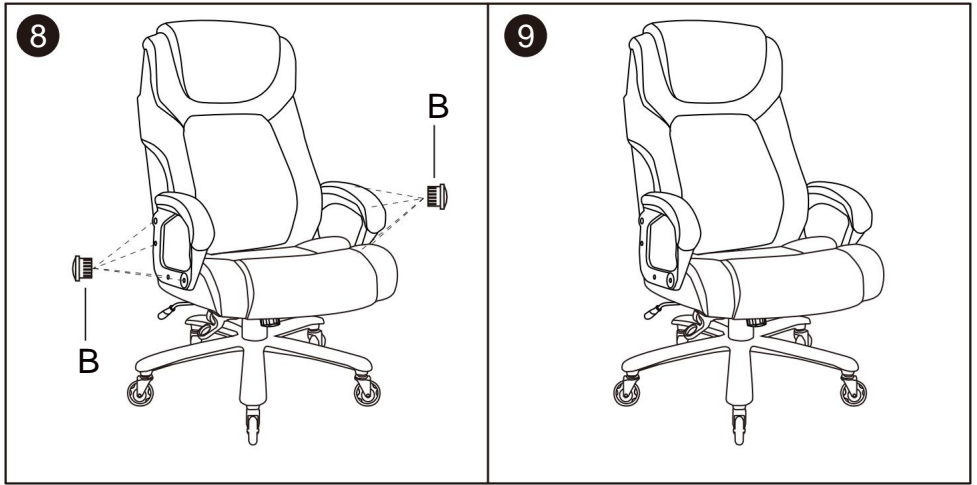
	
1/4x1" Vite: 1 pz.	Tappo: 1 pz.

ASSEMBLY STEP

UN







PRODUCT PARAMETER

Package size (mm)	815*445*705
Size (mm)	720W*750D*1145H
N.W (kg)	26
G.W (kg)	29.5
Colour	Black
Lifting range	≤80 mm
Backrest height	770 mm
Backrest width	600 mm
Cushion width	600 mm
Cushion deep	560 mm
Castor material	PU
Main Material	Iron+Plastic+Bonded leather+High rebound sponge
Load-bearing	≤400 lbs

Produttore: Shanghaimuxinmuyeyouxiangongsi

Indirizzo: Shuangchenglu 803nong11hao1602A-1609shi, baoshanqu, shanghai 200000 CN.

Importato in AUS: SIHAO PTY LTD. 1 ROKEVA STREETEASTWOOD NSW 2122 Australia

Importato negli USA: Sanven Technology Ltd. Suite 250, 9166 Anaheim Place, Rancho Cucamonga, CA 91730



E-CrossStu GmbH
Mainzer Landstr.69,
60329 Francoforte sul Meno.



CONSULENZA YH LIMITATA.
C/O YH Consulting Limited Ufficio 147, Centurion
House, London Road, Staines-upon-
Thames, Surrey, TW18 4AX

VEVOR[®]

TOUGH TOOLS, HALF PRICE

Technical Support and E-Warranty Certificate

www.vevor.com/support

VEVOR[®]

TOUGH TOOLS, HALF PRICE

Technical Support and E-Warranty Certificate www.vevor.com/support

EXECUTIVE CHAIR

USER MANUAL

MODEL:GF-82722H

Seguimos comprometidos a brindarle herramientas a precios competitivos.

"Ahorre la mitad", "mitad de precio" o cualquier otra expresión similar que utilicemos solo representa una estimación del ahorro que podría obtener al comprar ciertas herramientas con nosotros en comparación con las principales marcas y no necesariamente significa que cubra todas las categorías de herramientas que ofrecemos. Le recordamos que, al realizar un pedido con nosotros, verifique cuidadosamente si realmente está ahorrando la mitad en comparación con las principales marcas.

VEVOR[®]

TOUGH TOOLS, HALF PRICE

EXECUTIVE CHAIR

MODEL: GF-82722H



¿NECESITA AYUDA? ¡CONTÁCTENOS!

¿Tiene preguntas sobre el producto? ¿Necesita asistencia técnica? No dude en ponerse en contacto con

nosotros: Asistencia técnica y certificado de garantía electrónica

www.vevor.com/support

Estas son las instrucciones originales, lea atentamente todas las instrucciones del manual antes de utilizar el producto. VEVOR se reserva una interpretación clara de nuestro manual de usuario. La apariencia del producto estará sujeta al producto que recibió. Perdónenos por no informarle nuevamente si hay actualizaciones de tecnología o software en nuestro producto.

SAFETY INSTRUCTIONS

WARNING:

Read this instructions carefully before using this product. Failure to do so can result in serious injury.

Assembly precautions



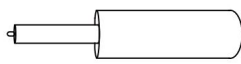
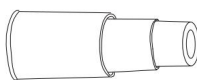
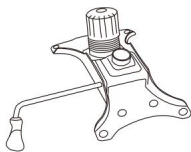

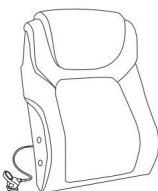
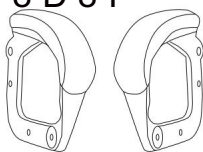


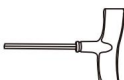
1. Assemble only should be according to these instructions. Improper assembly can result in hazards.
2. Wear ANSI-approved safety goggles and heavy-duty work gloves during assembly.
3. Keep the assembly area clean and well-lit.
4. Keep bystanders out of the area during assembly.
5. Do not assemble when tired or when under the influence of alcohol, drugs or medication.
6. The product capabilities apply to properly and completely assembled products only.
7. Assemble on a flat, level, hard and smooth surface capable of safely supporting the executive chair.
8. For additional information regarding the parts listed in the following pages, please refer to the Assembly Diagram of this manual. Unwrap and separate all parts in a clean work area.

Use precautions

1. Do not exceed weight capacities.
2. Use only on a flat, level, hard and smooth surface capable of safely supporting a fully loaded executive chair.
3. Use as intended only.
4. Inspect before every use; do not use if parts are loose or damaged.

SAVE THESE INSTRUCTIONS

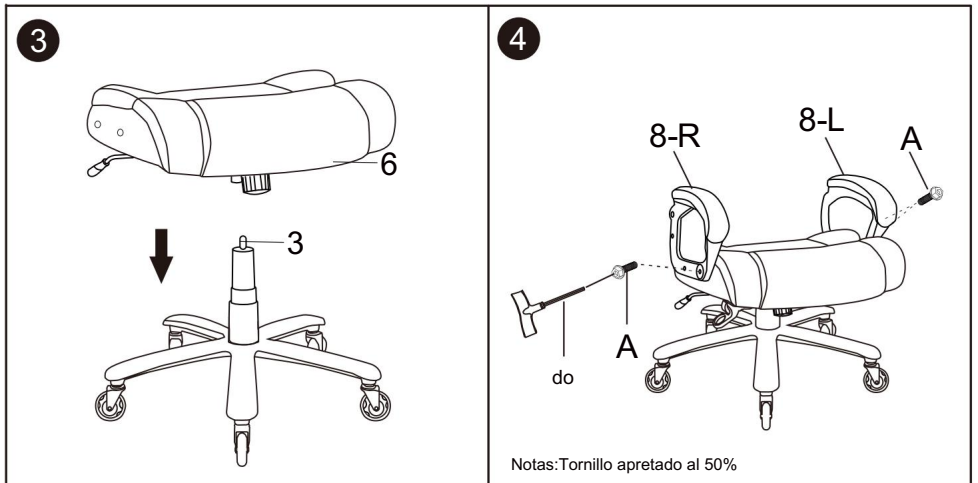
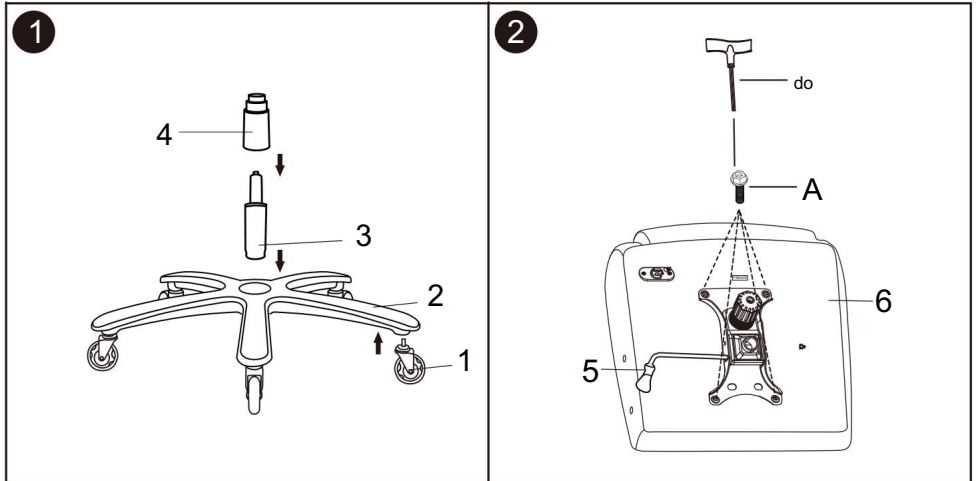
PARTS LIST

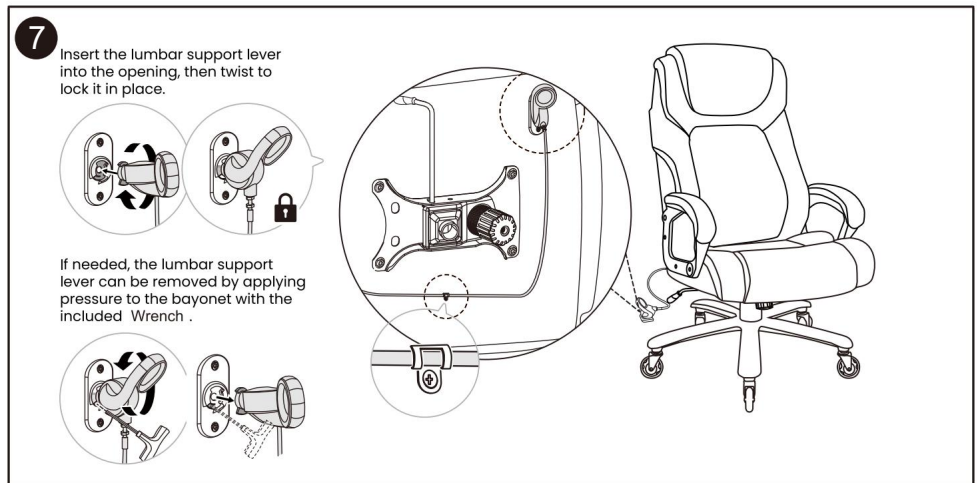
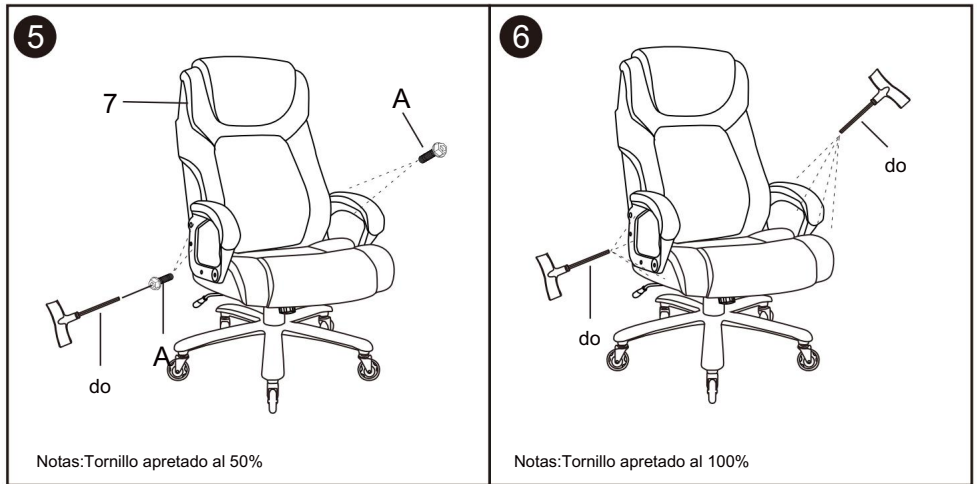
(1)	(2)	(3)	
			
Ruedas: 5 piezas (4)	Base: 1 pieza (5)	Elevador de gas: 1 pieza (6)	
			
Tapa de elevación de gas: 1 pieza	Placa del asiento: 1 pieza	Cojín del asiento : 1 pieza	
(7)	(8)		
	8-D 8-I 		
Cojín de espalda : 1 pieza	Apoyabrazos: 1 par		
Hardware			
A	B	do	
			
1/4 x 1 pulgada Tornillo: 12 piezas	Tapa: 8 uds.	Llave: 1 pieza	

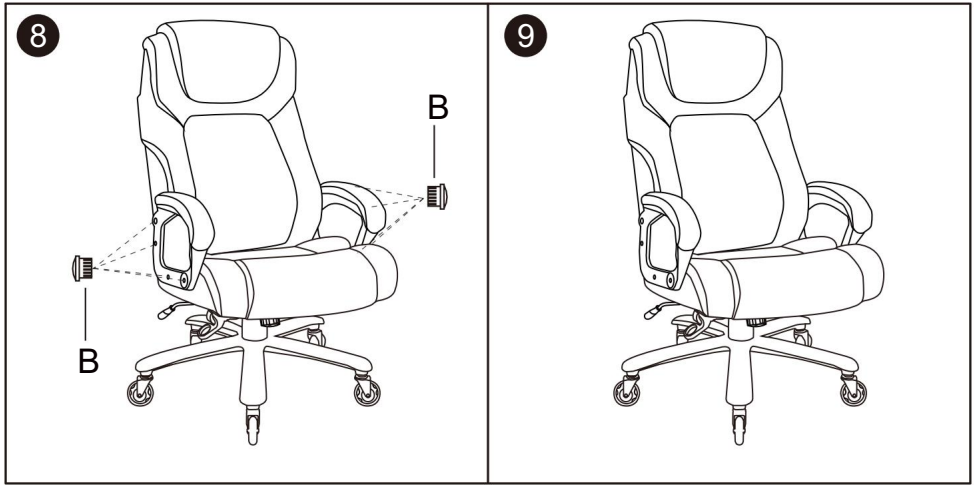
Piezas de repuesto

	
1/4 x 1 pulgada Tornillo: 1 pieza	Tapa: 1 ud.

ASSEMBLY STEP







PRODUCT PARAMETER

Package size (mm)	815*445*705
Size (mm)	720W*750D*1145H
N.W (kg)	26
G.W (kg)	29.5
Colour	Black
Lifting range	≤80 mm
Backrest height	770 mm
Backrest width	600 mm
Cushion width	600 mm
Cushion deep	560 mm
Castor material	PU
Main Material	Iron+Plastic+Bonded leather+High rebound sponge
Load-bearing	≤400 lbs

Fabricante: Shanghaimuxinmuyeyouxiangongsi

Dirección: Shuangchenglu 803nong11hao1602A-1609shi, baoshanqu, shanghai 200000 CN.

Importado a AUS: SIHAO PTY LTD. 1 ROKEVA STREETEASTWOOD NSW 2122 Australia

Importado a EE. UU.: Sanven Technology Ltd. Suite 250, 9166 Anaheim Place, Rancho Cucamonga, CA 91730



E-CrossStu GmbH
Mainzer Landstr.69,
60329 Fráncfort del Meno.



YH CONSULTING LIMITADA.
C/O YH Consulting Limited Oficina 147, Centurion
House, London Road, Staines-upon-
Thames, Surrey, TW18 4AX

VEVOR[®]

TOUGH TOOLS, HALF PRICE

Technical Support and E-Warranty Certificate

www.vevor.com/support

VEVOR[®]

TOUGH TOOLS, HALF PRICE

Technical Support and E-Warranty Certificate www.vevor.com/support

EXECUTIVE CHAIR

USER MANUAL

MODEL:GF-82722H

Nadal staramy się oferować Państwu narzędzia w konkurencyjnych cenach. „Oszczędź połowę”, „Połowa ceny” lub inne podobne wyrażenia używane przez nas stanowią jedynie szacunkowe oszczędności, jakie możesz uzyskać, kupując u nas określone narzędzia w porównaniu z głównymi markami i niekoniecznie oznaczają one objęcie wszystkich kategorii narzędzi oferowanych przez nas. Uprzejmie przypominamy, aby dokładnie sprawdzić, czy składając u nas zamówienie faktycznie oszczędzasz połowę w porównaniu z głównymi markami.

VEVOR[®]

TOUGH TOOLS, HALF PRICE

EXECUTIVE CHAIR

MODEL: GF-82722H



POTRZEBUJESZ POMOCY? SKONTAKTUJ SIĘ Z NAMI!

Masz pytania dotyczące produktu? Potrzebujesz wsparcia technicznego? Skontaktuj się z nami:
Wsparcie

techniczne i certyfikat E-Gwarancji www.vevor.com/support

To jest oryginalna instrukcja, przed użyciem należy uważnie przeczytać wszystkie instrukcje. VEVOR zastrzega sobie jasną interpretację naszej instrukcji obsługi. Wygląd produktu będzie zależał od produktu, który otrzymałeś. Prosimy o wybaczenie, że nie poinformujemy Cię ponownie, jeśli w naszym produkcie pojawią się jakiegokolwiek aktualizacje technologiczne lub oprogramowania.

SAFETY INSTRUCTIONS

WARNING:

Read this instructions carefully before using this product. Failure to do so can result in serious injury.



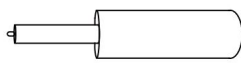
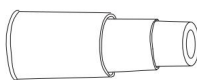
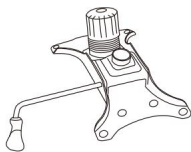

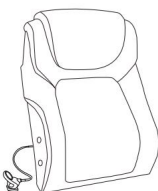
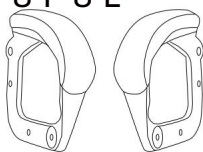


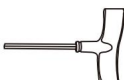
Assembly precautions

1. Assemble only should be according to these instructions. Improper assembly can result in hazards.
2. Wear ANSI-approved safety goggles and heavy-duty work gloves during assembly.
3. Keep the assembly area clean and well-lit.
4. Keep bystanders out of the area during assembly.
5. Do not assemble when tired or when under the influence of alcohol, drugs or medication.
6. The product capabilities apply to properly and completely assembled products only.
7. Assemble on a flat, level, hard and smooth surface capable of safely supporting the executive chair.
8. For additional information regarding the parts listed in the following pages, please refer to the Assembly Diagram of this manual. Unwrap and separate all parts in a clean work area.

Use precautions

1. Do not exceed weight capacities.
2. Use only on a flat, level, hard and smooth surface capable of safely supporting a fully loaded executive chair.
3. Use as intended only.
4. Inspect before every use; do not use if parts are loose or damaged.

SAVE THESE INSTRUCTIONS**PARTS LIST**

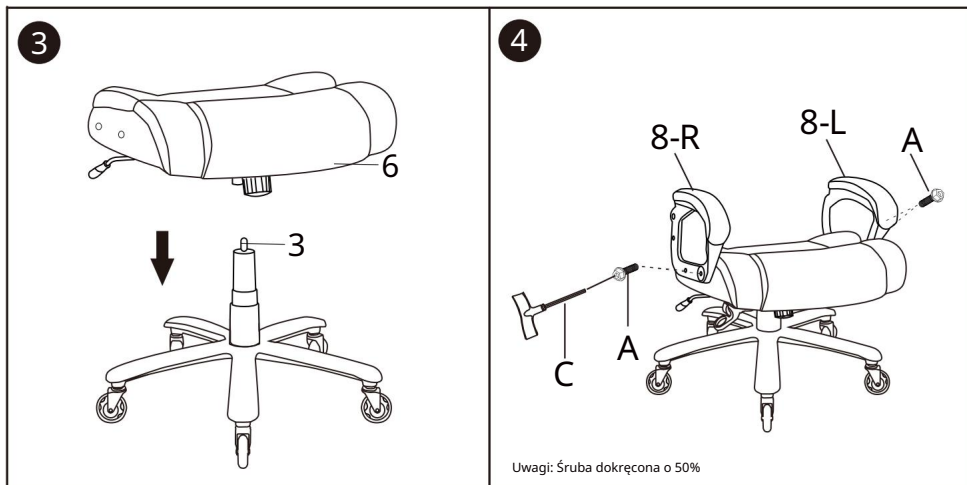
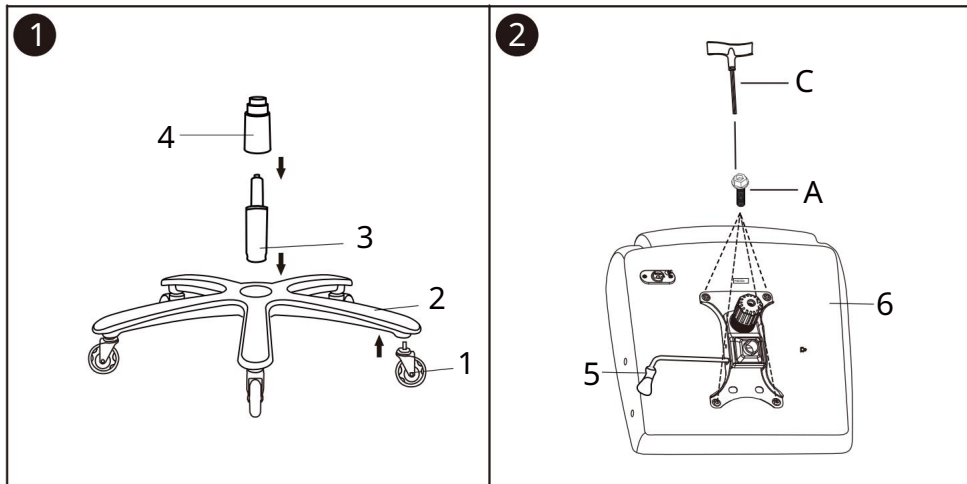
(1)	(2)	(3)	
			
Kółka: 5 szt.	Podstawa: 1 szt. (5)	Podnośnik gazowy: 1 szt. (6)	
			
Pokrywa podnośnika gazowego: 1 szt.	Płyta siedziska: 1 szt.	Poduszka siedziska : 1 szt.	
(7)	(8)		
	8-P 8-L 		
Poduszka pod plecy : 1 szt.	Podłokietnik: 1 para		
Sprzęt komputerowy			
A	B	C	
			
1/4x1" Śruba: 12 szt.	Czapka: 8 szt.	Klucz: 1 szt.	

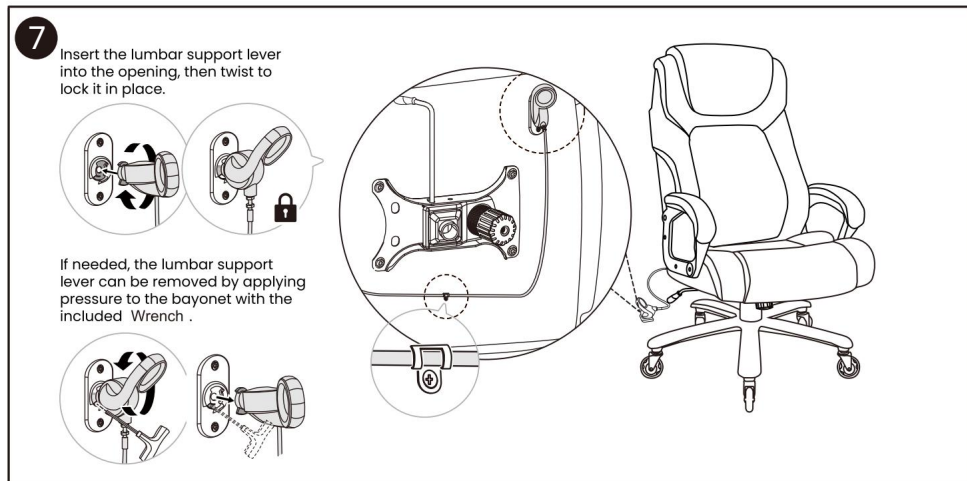
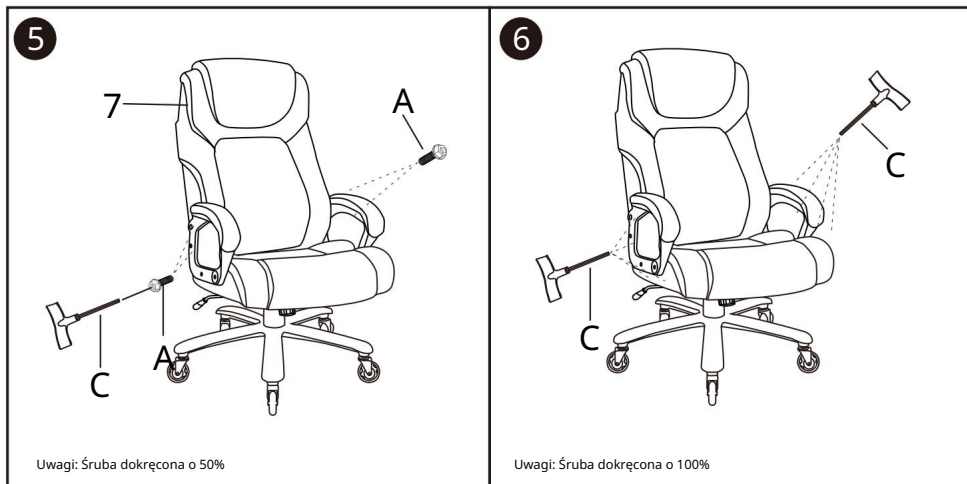
Części zapasowe

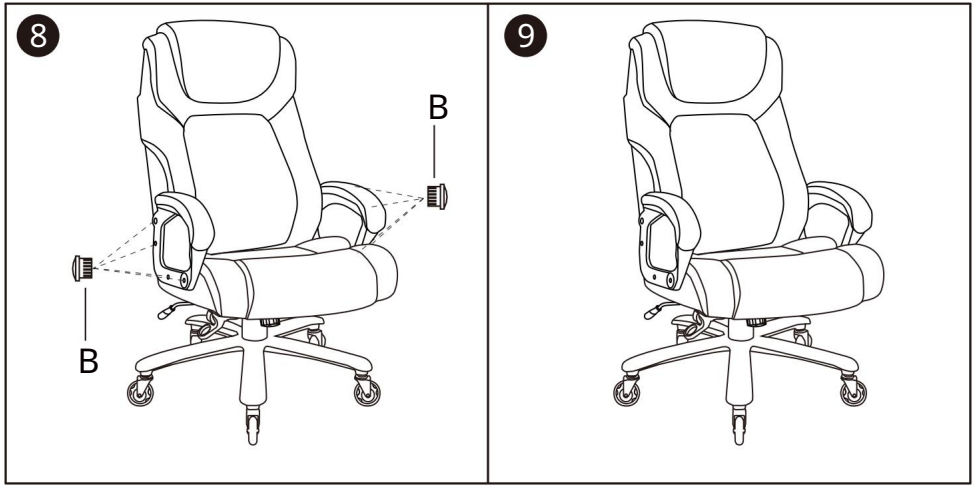
	
1/4x1" Śruba: 1 szt.	Czapka: 1 szt.

ASSEMBLY STEP

— A







PRODUCT PARAMETER

Package size (mm)	815*445*705
Size (mm)	720W*750D*1145H
N.W (kg)	26
G.W (kg)	29.5
Colour	Black
Lifting range	≤80 mm
Backrest height	770 mm
Backrest width	600 mm
Cushion width	600 mm
Cushion deep	560 mm
Castor material	PU
Main Material	Iron+Plastic+Bonded leather+High rebound sponge
Load-bearing	≤400 lbs

Producent: Shanghaimuxinmuyeyouxiangongsi

Adres: Shuangchenglu 803nong11hao1602A-1609shi, baoshanqu, szanghaj 200000 CN.

Importowane do AUS: SIHAO PTY LTD. 1 ROKEVA STREETEASTWOOD NSW 2122 Australia

Importowane do USA: Sanven Technology Ltd. Suite 250, 9166 Anaheim Place, Rancho Cucamonga, CA 91730



E-CrossStu GmbH
Mainzer Landstr.69,
60329 Frankfurt nad Menem.



YH CONSULTING LIMITED.
C/O YH Consulting Limited Biuro 147, Centurion
House, London Road, Staines-upon-
Thames, Surrey, TW18 4AX

VEVOR[®]

TOUGH TOOLS, HALF PRICE

Technical Support and E-Warranty Certificate

www.vevor.com/support

VEVOR[®]

TOUGH TOOLS, HALF PRICE

Technical Support and E-Warranty Certificate www.vevor.com/support

EXECUTIVE CHAIR

USER MANUAL

MODEL:GF-82722H

Wij streven er voortdurend naar om u gereedschappen tegen concurrerende prijzen te leveren.

"Save Half", "Half Price" of andere soortgelijke uitdrukkingen die wij gebruiken, geven alleen een schatting weer van de besparingen die u kunt behalen door bepaalde gereedschappen bij ons te kopen in vergelijking met de grote topmerken en betekent niet noodzakelijkerwijs dat alle categorieën gereedschappen die wij aanbieden, worden gedekt. Wij herinneren u eraan om zorgvuldig te controleren of u daadwerkelijk de helft bespaart in vergelijking met de grote topmerken wanneer u een bestelling bij ons plaatst.

VEVOR[®]

TOUGH TOOLS, HALF PRICE

EXECUTIVE CHAIR

MODEL: GF-82722H



HULP NODIG? NEEM CONTACT MET ONS OP!

Heeft u vragen over het product? Heeft u technische ondersteuning nodig? Neem dan gerust contact met

ons op: **Technische ondersteuning en E-garantiecertificaat**
www.vevor.com/support

Dit is de originele instructie, lees alle handleidingen zorgvuldig door voordat u het product gebruikt. VEVOR behoudt zich een duidelijke interpretatie van onze gebruikershandleiding voor. Het uiterlijk van het product is afhankelijk van het product dat u hebt ontvangen. Vergeef ons dat we u niet opnieuw zullen informeren als er technologie- of software-updates voor ons product zijn.

SAFETY INSTRUCTIONS

WARNING:

Read this instructions carefully before using this product. Failure to do so can result in serious injury.




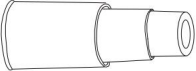
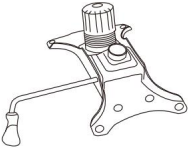

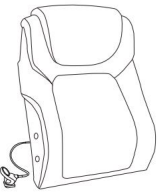
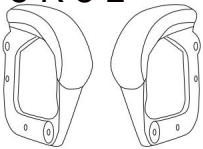



Assembly precautions

1. Assemble only should be according to these instructions. Improper assembly can result in hazards.
2. Wear ANSI-approved safety goggles and heavy-duty work gloves during assembly.
3. Keep the assembly area clean and well-lit.
4. Keep bystanders out of the area during assembly.
5. Do not assemble when tired or when under the influence of alcohol, drugs or medication.
6. The product capabilities apply to properly and completely assembled products only.
7. Assemble on a flat, level, hard and smooth surface capable of safely supporting the executive chair.
8. For additional information regarding the parts listed in the following pages, please refer to the Assembly Diagram of this manual. Unwrap and separate all parts in a clean work area.



Use precautions

1. Do not exceed weight capacities.
2. Use only on a flat, level, hard and smooth surface capable of safely supporting a fully loaded executive chair.
3. Use as intended only.
4. Inspect before every use; do not use if parts are loose or damaged.

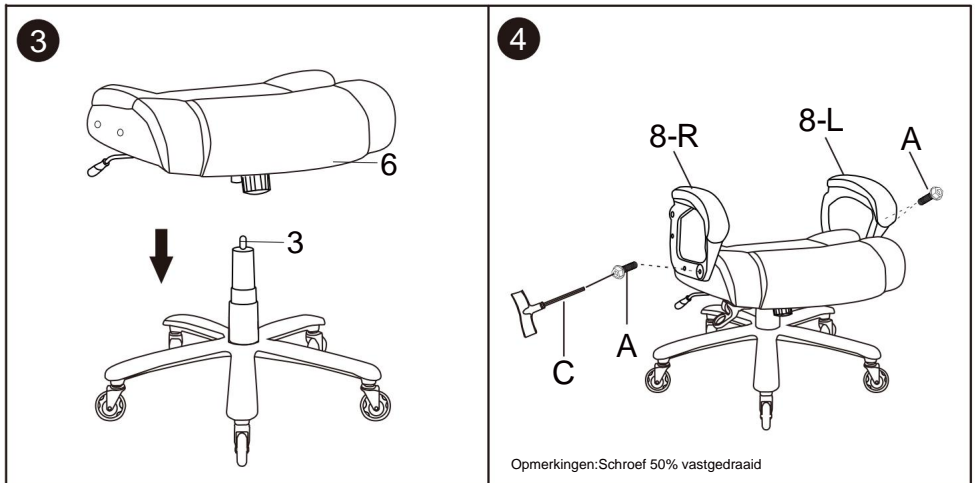
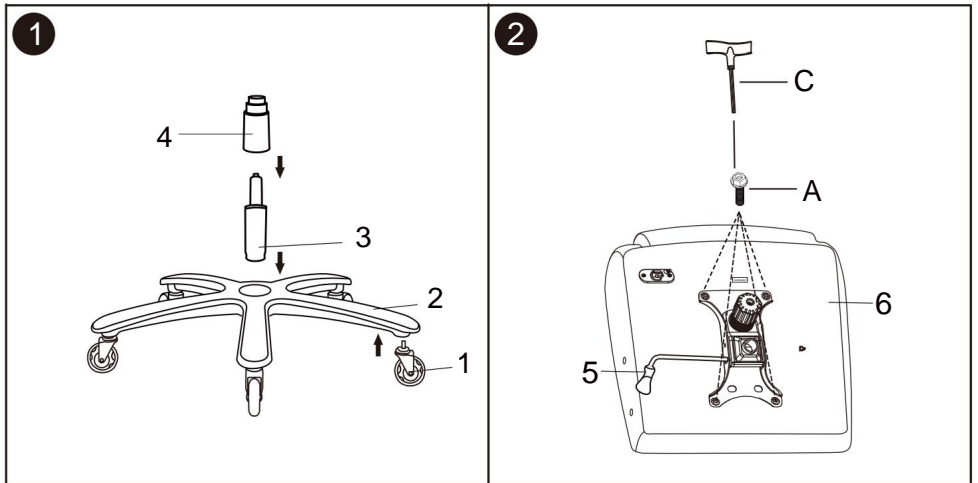
SAVE THESE INSTRUCTIONS**PARTS LIST**

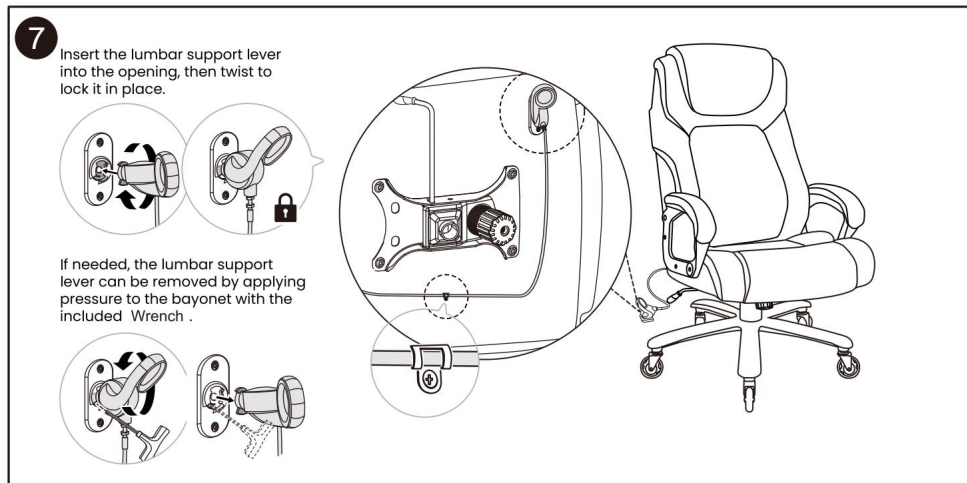
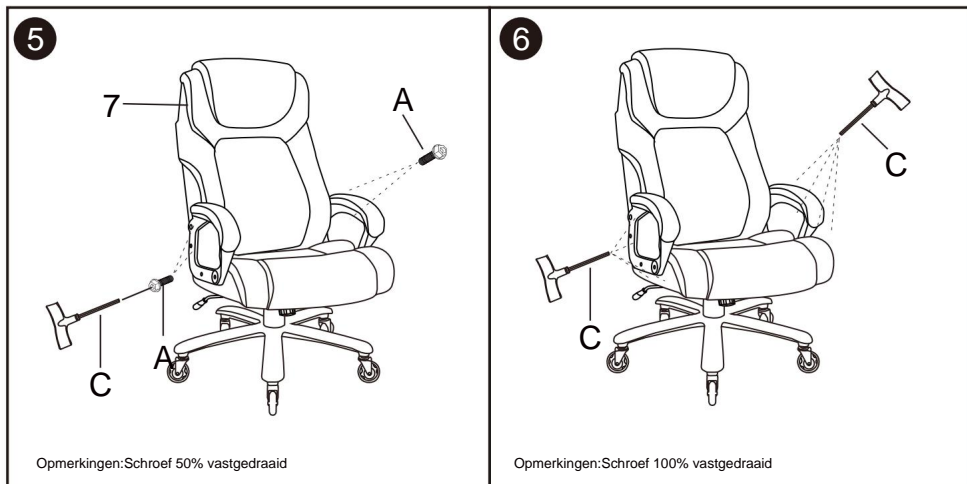
(1)	(2)	(3)	
			
Zwenkwielen: 5 stuks (4)	Basis: 1 st (5)	Gaslift: 1 st (6)	
			
Gasliftafdekking: 1 st.	Zitplaat: 1 st.	Zitkussen : 1 st.	
(7)	(8)		
	8-R 8-L 		
Rugkussen : 1 st.	Armeuning: 1 paar		
Hardware			
A	B	C	
			
1/4x1" Schroef: 12 stuks	Dop: 8 stuks	Sleutel: 1 st.	

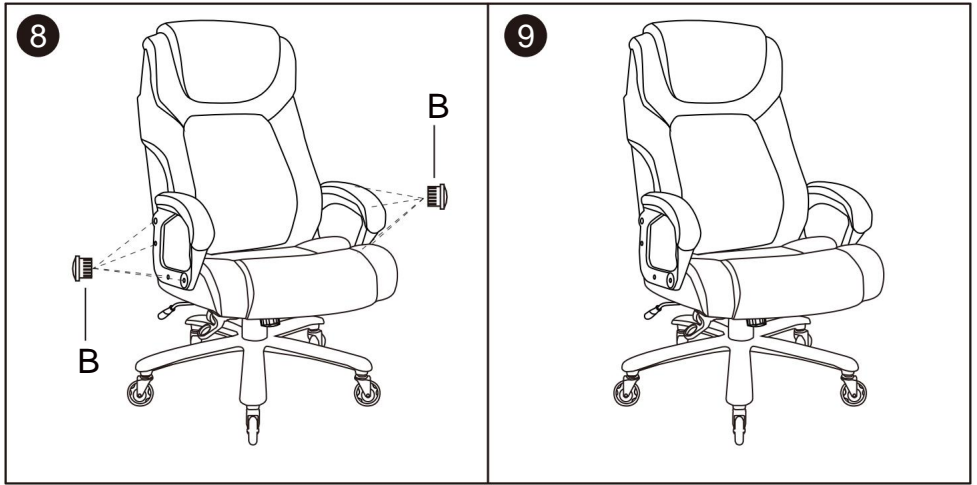
Reserveonderdelen

	
1/4x1" Schroef: 1 st.	Dop: 1 st.

ASSEMBLY STEP







PRODUCT PARAMETER

Package size (mm)	815*445*705
Size (mm)	720W*750D*1145H
N.W (kg)	26
G.W (kg)	29.5
Colour	Black
Lifting range	≤80 mm
Backrest height	770 mm
Backrest width	600 mm
Cushion width	600 mm
Cushion deep	560 mm
Castor material	PU
Main Material	Iron+Plastic+Bonded leather+High rebound sponge
Load-bearing	≤400 lbs

Fabrikant: Shanghaimuxinmuyeyouxiangongsi

Adres: Shuangchenglu 803nong11hao1602A-1609shi, baoshanqu, shanghai 200000 CN.

Geïmporteerd naar AUS: SIHAO PTY LTD. 1 ROKEVA STREETEASTWOOD NSW 2122 Australië

Geïmporteerd naar de VS: Sanven Technology Ltd. Suite 250, 9166 Anaheim Place, Rancho Cucamonga, CA 91730



E-CrossStu GmbH
Mainzer Landstr.69,
60329 Frankfurt am Main.



YH CONSULTING LIMITED.
C/O YH Consulting Limited Kantoor 147,
Centurion House, London Road, Staines-
upon-Thames, Surrey, TW18 4AX

VEVOR[®]

TOUGH TOOLS, HALF PRICE

Technical Support and E-Warranty Certificate

www.vevor.com/support

VEVOR[®]

TOUGH TOOLS, HALF PRICE

Technical Support and E-Warranty Certificate www.vevor.com/support

EXECUTIVE CHAIR

USER MANUAL

MODEL:GF-82722H

Vi fortsätter att vara engagerade i att ge dig verktyg till konkurrenskraftiga priser. "Spara hälften", "halva priset" eller andra liknande uttryck som används av oss representerar bara en uppskattning av besparingar du kan dra nytta av att köpa vissa verktyg hos oss jämfört med de stora toppmärkena och betyder inte nödvändigtvis att täcka alla kategorier av verktyg som erbjuds av oss. Du påminns om att noggrant kontrollera när du gör en beställning hos oss om du verkligen sparar hälften i jämförelse med de främsta varumärkena.

VEVOR[®]

TOUGH TOOLS, HALF PRICE

EXECUTIVE CHAIR

MODEL: GF-82722H



BEHÖVER HJÄLP? KONTAKTA OSS!

Har du produktfrågor? Behöver du teknisk support? Kontakta oss gärna: **Teknisk support och e-garanticertifikat www.vevor.com/support**

Detta är den ursprungliga instruktionen, läs alla instruktioner noggrant innan du använder den. VEVOR reserverar sig för en tydlig tolkning av vår användarmanual. Utseendet på produkten är beroende av den produkt du fått. Ursäkta oss att vi inte kommer att informera dig igen om det finns någon teknik eller mjukvaruuppdateringar på vår produkt.

SAFETY INSTRUCTIONS

WARNING:

Read this instructions carefully before using this product. Failure to do so can result in serious injury.



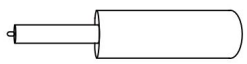
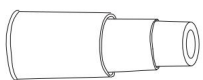
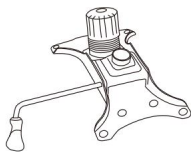

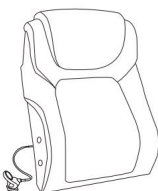
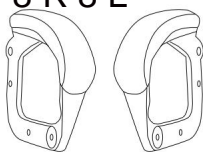


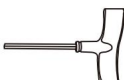
Assembly precautions

1. Assemble only should be according to these instructions. Improper assembly can result in hazards.
2. Wear ANSI-approved safety goggles and heavy-duty work gloves during assembly.
3. Keep the assembly area clean and well-lit.
4. Keep bystanders out of the area during assembly.
5. Do not assemble when tired or when under the influence of alcohol, drugs or medication.
6. The product capabilities apply to properly and completely assembled products only.
7. Assemble on a flat, level, hard and smooth surface capable of safely supporting the executive chair.
8. For additional information regarding the parts listed in the following pages, please refer to the Assembly Diagram of this manual. Unwrap and separate all parts in a clean work area.



Use precautions

1. Do not exceed weight capacities.
2. Use only on a flat, level, hard and smooth surface capable of safely supporting a fully loaded executive chair.
3. Use as intended only.
4. Inspect before every use; do not use if parts are loose or damaged.

SAVE THESE INSTRUCTIONS**PARTS LIST**

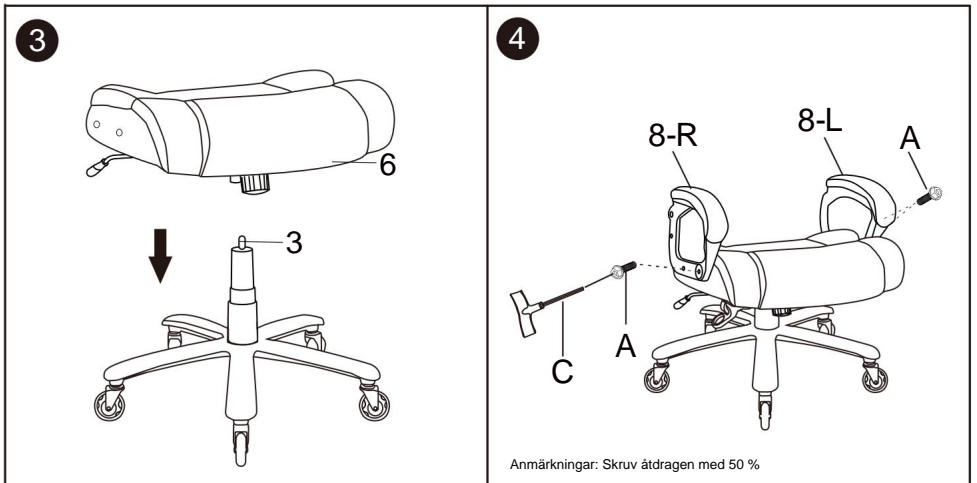
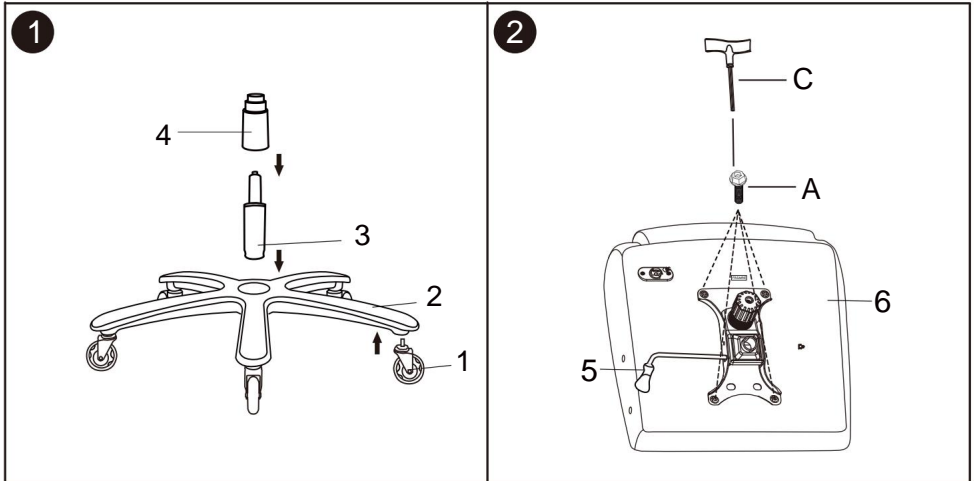
(1)	(2)	(3)	
			
Hjul: 5 st (4)	Bas: 1 st	Gaslyft: 1 st	
	(5)	(6)	
			
Gaslyftskåpa: 1 st	Sittplatta: 1 st	Sittdyna : 1 st	
(7)	(8)		
	8-R 8-L 		
Ryggkudde : 1 st	Armstöd: 1 par		
Hårdvara			
A	B	C	
			
1/4x1" Skruv: 12 st	Cap: 8 st	Skiftnyckel: 1 st	

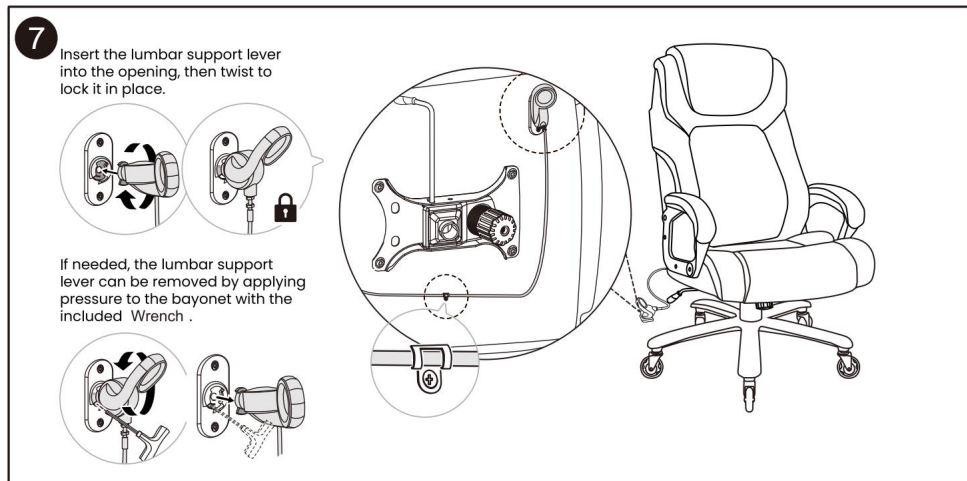
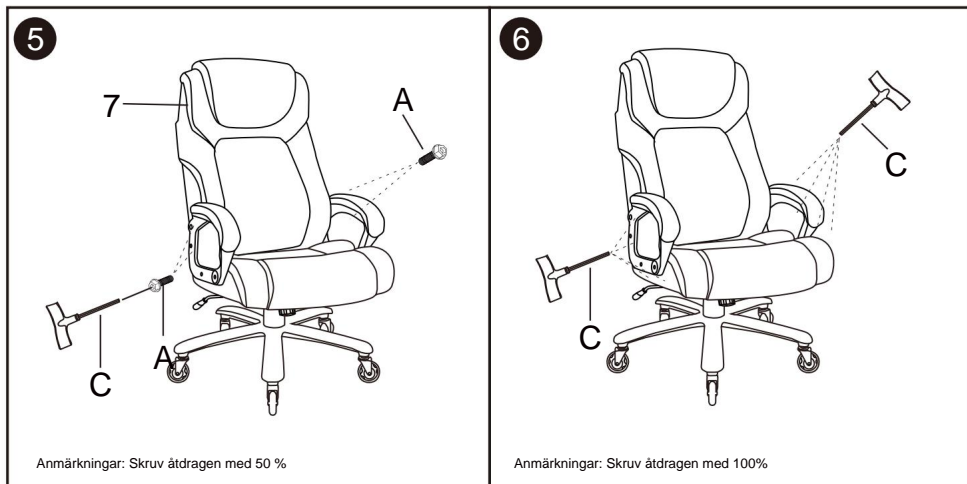
Reservdelar

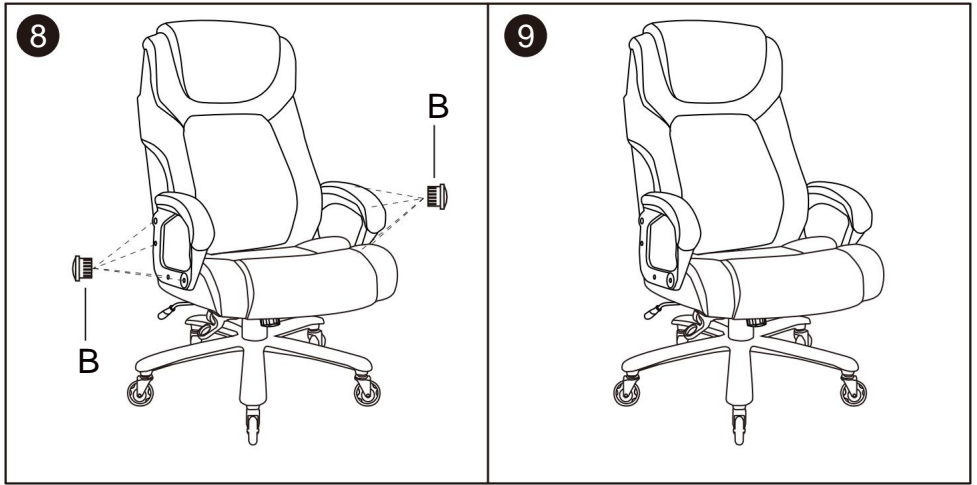
	
1/4x1" Skruv: 1 st	Cap: 1 st

ASSEMBLY STEP

— A







PRODUCT PARAMETER

Package size (mm)	815*445*705
Size (mm)	720W*750D*1145H
N.W (kg)	26
G.W (kg)	29.5
Colour	Black
Lifting range	≤80 mm
Backrest height	770 mm
Backrest width	600 mm
Cushion width	600 mm
Cushion deep	560 mm
Castor material	PU
Main Material	Iron+Plastic+Bonded leather+High rebound sponge
Load-bearing	≤400 lbs

Tillverkare: Shanghaimuxinmuyeyouxiangongsi

Adress: Shuangchenglu 803nong11hao1602A-1609shi, baoshanqu, shanghai 200000 CN.

Importerad till AUS: SIHAO PTY LTD. 1 ROKEVA STREETEASTWOOD NSW 2122 Australien

Importerad till USA: Sanven Technology Ltd. Suite 250, 9166 Anaheim Place, Rancho Cucamonga, CA 91730



E-CrossStu GmbH
Mainzer Landstr.69,
60329 Frankfurt am Main.



YH CONSULTING LIMITED.
C/O YH Consulting Limited Office 147, Centurion
House, London Road, Staines-upon-
Thames, Surrey, TW18 4AX

VEVOR[®]

TOUGH TOOLS, HALF PRICE

Technical Support and E-Warranty Certificate

www.vevor.com/support