

VEVOR[®]

TOUGH TOOLS, HALF PRICE

Technical Support and E-Warranty Certificate www.vevor.com/support

EXECUTIVE CHAIR

USER MANUAL

MODEL:GF-82724H-3

We continue to be committed to provide you tools with competitive price.

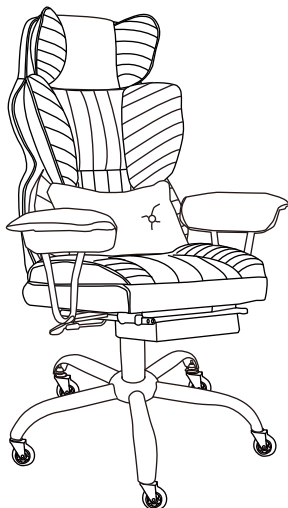
"Save Half", "Half Price" or any other similar expressions used by us only represents an estimate of savings you might benefit from buying certain tools with us compared to the major top brands and does not necessarily mean to cover all categories of tools offered by us. You are kindly reminded to verify carefully when you are placing an order with us if you are actually saving half in comparison with the top major brands.

VEVOR[®]

TOUGH TOOLS, HALF PRICE

EXECUTIVE CHAIR

MODEL: GF-82724H-3



NEED HELP? CONTACT US!

Have product questions? Need technical support? Please feel free to contact us:

Technical Support and E-Warranty Certificate
www.vevor.com/support

This is the original instruction, please read all manual instructions carefully before operating. VEVOR reserves a clear interpretation of our user manual. The appearance of the product shall be subject to the product you received. Please forgive us that we won't inform you again if there are any technology or software updates on our product.

SAFETY INSTRUCTIONS

WARNING:

Read this instructions carefully before using this product. Failure to do so can result in serious injury.

Assembly precautions

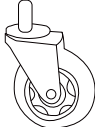
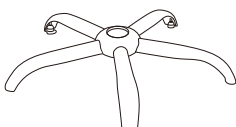


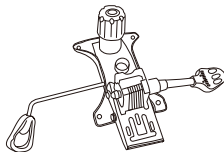
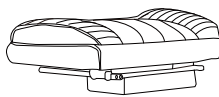








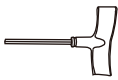
1. Assemble only should be according to these instructions. Improper assembly can result in hazards.
2. Wear ANSI-approved safety goggles and heavy-duty work gloves during assembly.
3. Keep the assembly area clean and well-lit.
4. Keep bystanders out of the area during assembly.
5. Do not assemble when tired or when under the influence of alcohol, drugs or medication.
6. The product capabilities apply to properly and completely assembled products only.
7. Assemble on a flat, level, hard and smooth surface capable of safely supporting the executive chair.
8. For additional information regarding the parts listed in the following pages, please refer to the Assembly Diagram of this manual. Unwrap and separate all parts in a clean work area.

Use precautions





1. Do not exceed weight capacities.
2. Use only on a flat, level, hard and smooth surface capable of safely supporting a fully loaded executive chair.
3. Use as intended only.
4. Inspect before every use; do not use if parts are loose or damaged.

SAVE THESE INSTRUCTIONS

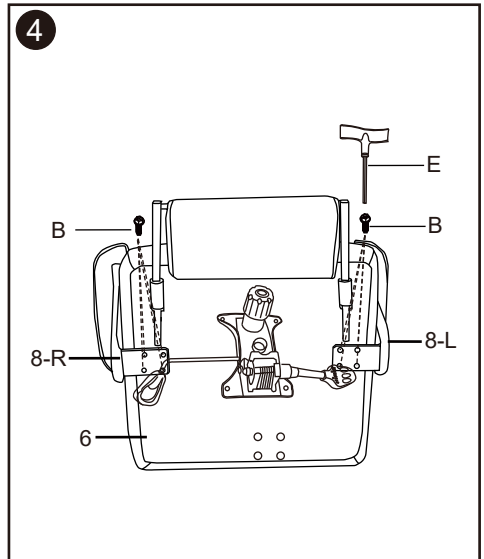
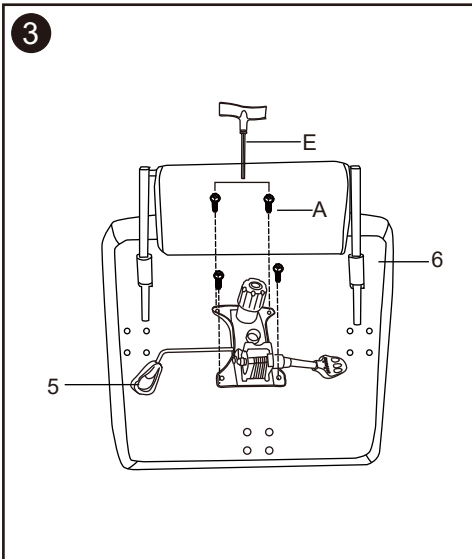
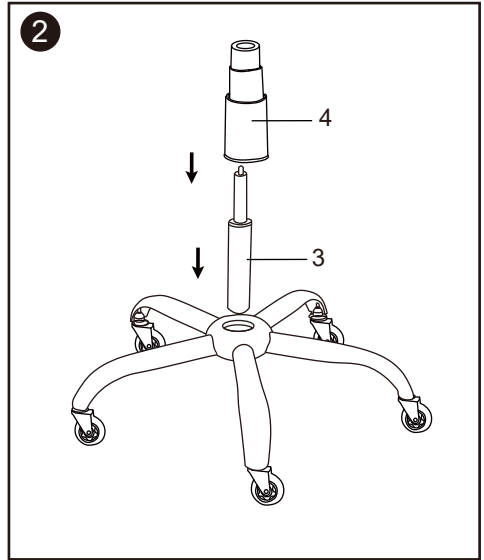
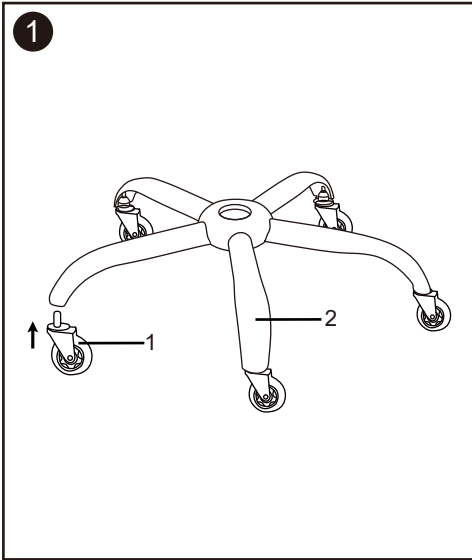
PARTS LIST

| | | | | |
|---|---|---|---|---|
| (1) | (2) | (3) | | |
|  |  |  | | |
| Caster : 5 pcs | Base : 1 pc | Gas Lift : 1 pc | | |
| (4) | (5) | (6) | | |
|  |  |  | | |
| Gas Lift Cover : 1 pc | Seat Plate : 1 pc | Seat Cushion : 1 pc | | |
| (7) | (8) | (9) | | |
|  | 8-R 8-L  |  | | |
| Back Cushion : 1 pc | Armrest: 1 Pair | J-Bar: 1 pc | | |
| | | (10) | | |
| | |  | | |
| | | Lumbar Support : 1 pc | | |
| Hardware | | | | |
| A | B | C | D | E |
|  |  |  |  |  |
| 1/4x1" Screw : 4 pcs | 1/4x1-1/4" Screw : 8 pcs | 1/4x1-1/8" Screw : 4 pcs | 5/16x1-1/4" Screw : 4 pcs | Wrench : 1 pc |

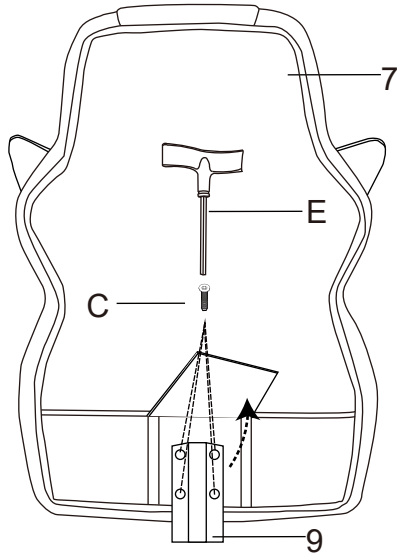
Spare Parts

| | | | |
|---|---|---|---|
|  |  |  |  |
| 1/4x1" Screw : 1 pc | 1/4x1-1/4" Screw : 1 pc | 1/4x1-1/8" Screw : 1 pc | 5/16x1-1/4" Screw : 1 pc |

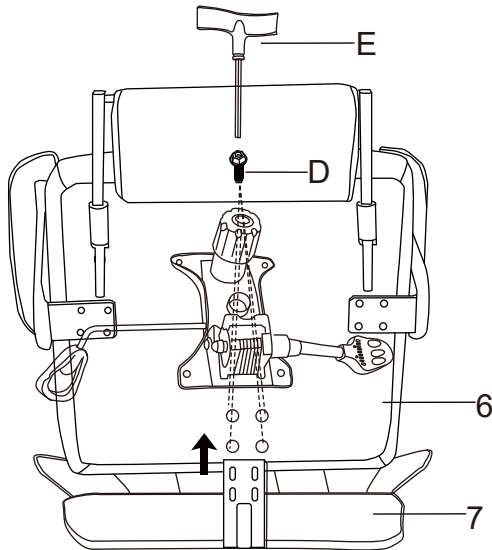
ASSEMBLY STEP



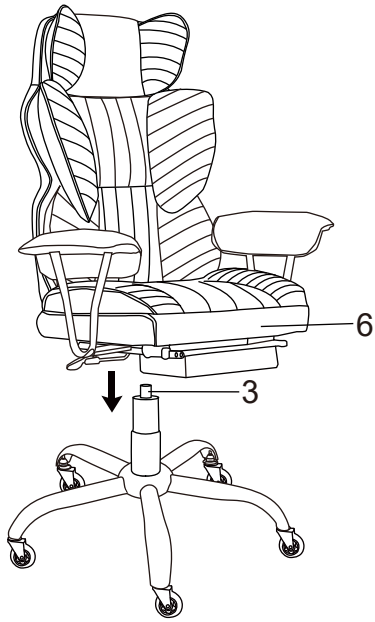
5



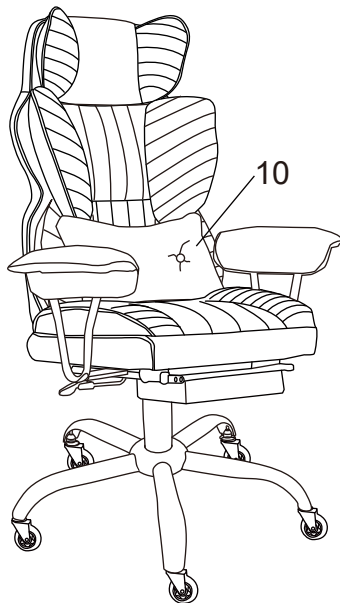
6



7



8



PRODUCT PARAMETER

| | |
|-------------------|---|
| Package size (mm) | 890*700*405 |
| Size (mm) | 740W*790D*1250H |
| N.W (kg) | 24.36 |
| G.W (kg) | 28.6 |
| Colour | White |
| Lifting range | ≤100mm |
| Backrest height | 860 mm |
| Backrest width | 650 mm |
| Cushion width | 600 mm |
| Cushion deep | 520 mm |
| Castor material | PU |
| Main Material | Iron+Bonded leather+High rebound sponge |
| Load-bearing | ≤350 lbs |

Manufacturer: Shanghaimuxinmuyeyouxiangongsi
Address: Shuangchenglu 803nong11hao1602A-1609shi, baoshanqu, shanghai 200000 CN.
Imported to AUS: SIHAO PTY LTD. 1 ROKEVA STREETEASTWOOD NSW 2122 Australia
Imported to USA: Sanven Technology Ltd. Suite 250, 9166 Anaheim Place, Rancho Cucamonga, CA 91730

| | |
|-----------|------------|
| EC | REP |
|-----------|------------|

E-CrossStu GmbH
Mainzer Landstr.69,
60329 Frankfurt am Main.

| | |
|-----------|------------|
| UK | REP |
|-----------|------------|

YH CONSULTING LIMITED.
C/O YH Consulting Limited Office 147,
Centurion House, London Road,
Staines-upon-Thames, Surrey, TW18 4AX

VEVOR[®]

TOUGH TOOLS, HALF PRICE

Technical Support and E-Warranty Certificate

www.vevor.com/support

VEVOR[®]

TOUGH TOOLS, HALF PRICE

Technical Support and E-Warranty Certificate www.vevor.com/support

EXECUTIVE CHAIR

USER MANUAL

MODEL:GF-82724H-3

We continue to be committed to provide you tools with competitive price.

"Save Half", "Half Price" or any other similar expressions used by us only represents an estimate of savings you might benefit from buying certain tools with us compared to the major top brands and does not necessarily mean to cover all categories of tools offered by us. You are kindly reminded to verify carefully when you are placing an order with us if you are actually saving half in comparison with the top major brands.

VEVOR[®]

TOUGH TOOLS, HALF PRICE

EXECUTIVE CHAIR

MODEL: GF-82724H-3



NEED HELP? CONTACT US!

Have product questions? Need technical support? Please feel free to contact us:

Technical Support and E-Warranty Certificate
www.vevor.com/support

This is the original instruction, please read all manual instructions carefully before operating. VEVOR reserves a clear interpretation of our user manual. The appearance of the product shall be subject to the product you received. Please forgive us that we won't inform you again if there are any technology or software updates on our product.

SAFETY INSTRUCTIONS

WARNING:

Read this instructions carefully before using this product. Failure to do so can result in serious injury.

Assembly precautions



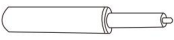
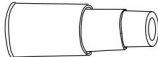
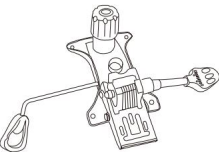
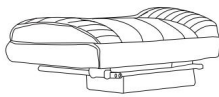
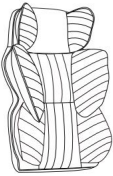



1. Assemble only should be according to these instructions. Improper assembly can result in hazards.
2. Wear ANSI-approved safety goggles and heavy-duty work gloves during assembly.
3. Keep the assembly area clean and well-lit.
4. Keep bystanders out of the area during assembly.
5. Do not assemble when tired or when under the influence of alcohol, drugs or medication.
6. The product capabilities apply to properly and completely assembled products only.
7. Assemble on a flat, level, hard and smooth surface capable of safely supporting the executive chair.
8. For additional information regarding the parts listed in the following pages, please refer to the Assembly Diagram of this manual. Unwrap and separate all parts in a clean work area.

Use precautions





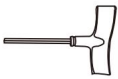
1. Do not exceed weight capacities.
2. Use only on a flat, level, hard and smooth surface capable of safely supporting a fully loaded executive chair.
3. Use as intended only.
4. Inspect before every use; do not use if parts are loose or damaged.

SAVE THESE INSTRUCTIONS





PARTS LIST

| | | |
|---|--|--|
| (1) | (2) | (3) |
|  <p>Roulette : 5 pièces</p> |  <p>Base : 1 pièce</p> |  <p>Vérin à gaz : 1 pièce</p> |
| (4) | (5) | (6) |
|  <p>Couvercle de vérin à gaz : 1 pièce</p> |  <p>Plaque de siège : 1 pièce</p> |  <p>Coussin de siège : 1 pièce</p> |
| (7) | (8) | (9) |
|  <p>Coussin de dossier : 1 pièce</p> | <p>8-R 8-G</p>  <p>Accoudoirs : 1 paire</p> |  <p>Barre en J : 1 pièce</p> |
| | | (10) |
| | |  <p>Support lombaire : 1 pièce</p> |

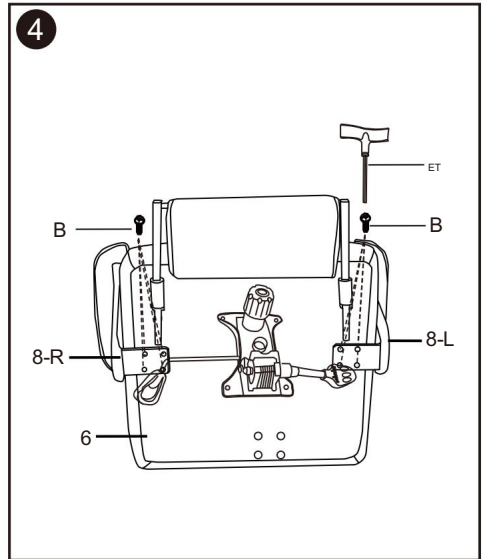
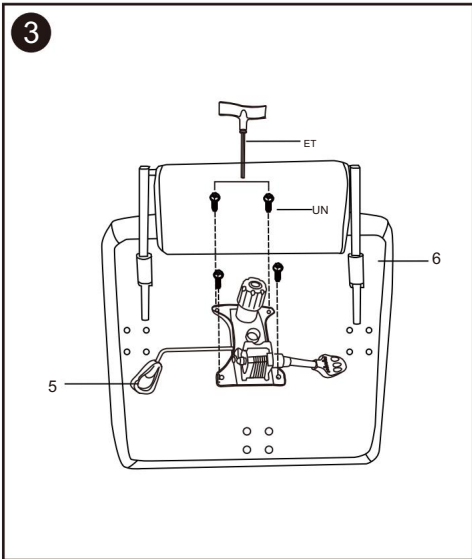
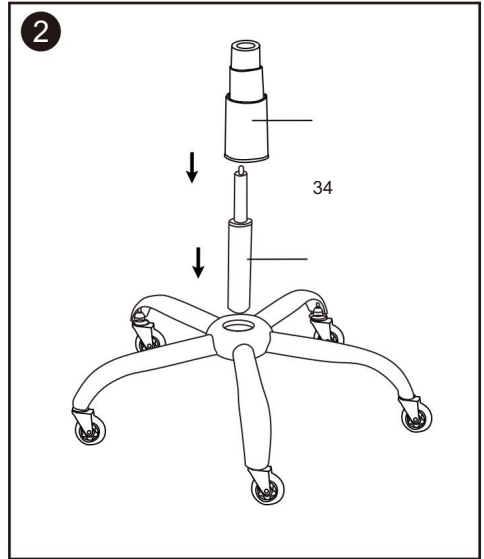
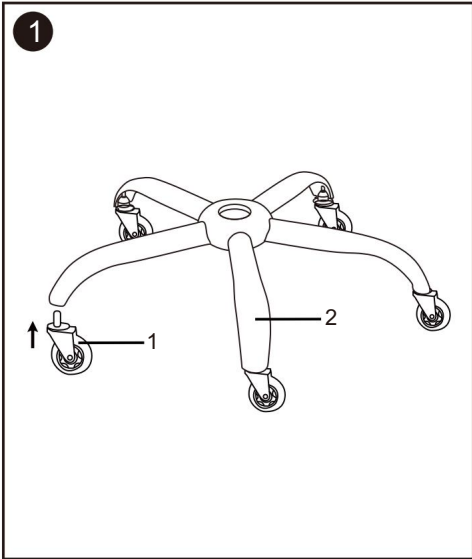
Matériel

| UN | B | C | D | ET |
|--|---|---|--|--|
|  <p>1/4x1" 1/4x1-1/4"</p> <p>Vis : 4 pièces</p> |  <p>Vis : 8 pièces</p> |  <p>1/4x1-1/8"</p> <p>Vis : 4 pièces</p> |  <p>5/16 x 1-1/4"</p> <p>Vis : 4 pièces</p> |  <p>Clé : 1 pièce</p> |

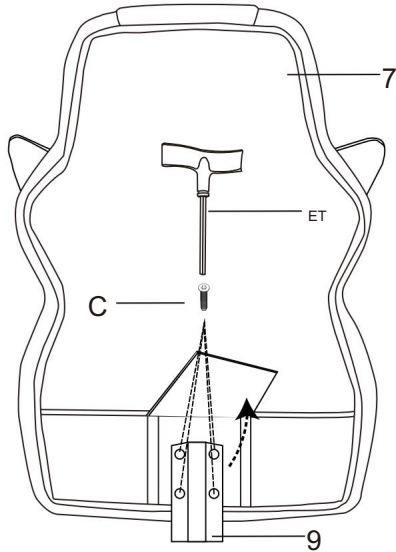
Des pièces de rechange

| | | | |
|--|--|--|---|
|  <p>1/4x1"</p> <p>Vis : 1 pièce</p> |  <p>1/4x1-1/4"</p> <p>Vis : 1 pièce</p> |  <p>1/4x1-1/8"</p> <p>Vis : 1 pièce</p> |  <p>5/16 x 1-1/4"</p> <p>Vis : 1 pièce</p> |
|--|--|--|---|

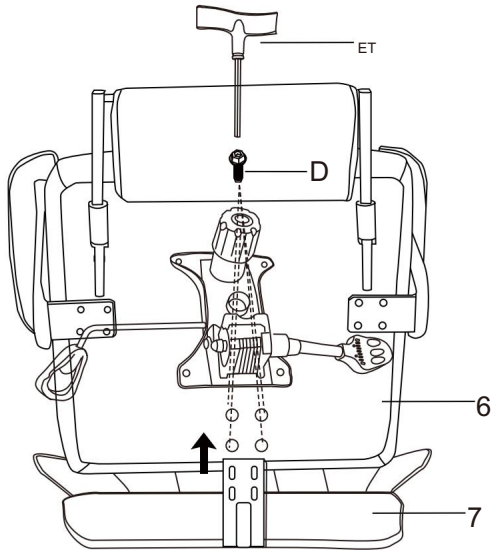
ASSEMBLY STEP



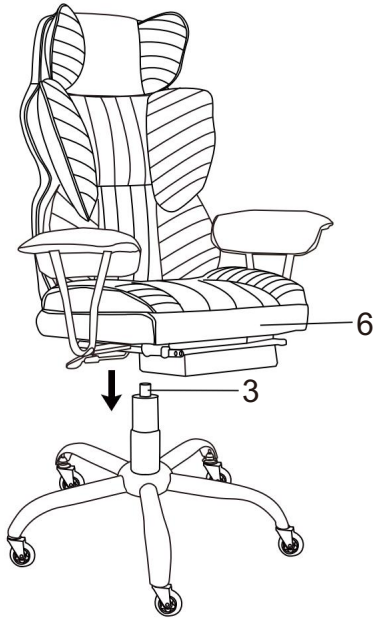
5



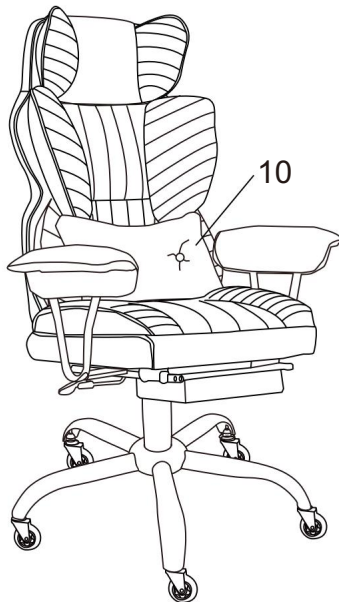
6



7



8



PRODUCT PARAMETER

| | |
|-------------------|---|
| Package size (mm) | 890*700*405 |
| Size (mm) | 740W*790D*1250H |
| N.W (kg) | 24.36 |
| G.W (kg) | 28.6 |
| Colour | White |
| Lifting range | ≤100mm |
| Backrest height | 860 mm |
| Backrest width | 650 mm |
| Cushion width | 600 mm |
| Cushion deep | 520 mm |
| Castor material | PU |
| Main Material | Iron+Bonded leather+High rebound sponge |
| Load-bearing | ≤350 lbs |

Fabricant : Shanghaimuxinmuyeyouxiangongsi

Adresse : Shuangchenglu 803nong11hao1602A-1609shi, baoshanqu, Shanghai 200000
CN.

Importé en Australie : SIHAO PTY LTD. 1 ROKEVA STREETEASTWOOD NSW 2122 Australie

Importé aux États-Unis : Sanven Technology Ltd. Suite 250, 9166 Anaheim Place, Rancho
Cucamonga, CA 91730



E-CrossStu GmbH
Mainzer Landstr.69,
60329 Francfort-sur-le-Main.



YH CONSULTING LIMITÉE.
A/S YH Consulting Limited Bureau 147, Centurion
House, London Road, Staines-upon-
Thames, Surrey, TW18 4AX

VEVOR[®]

TOUGH TOOLS, HALF PRICE

Technical Support and E-Warranty Certificate

www.vevor.com/support

VEVOR[®]

TOUGH TOOLS, HALF PRICE

Technical Support and E-Warranty Certificate www.vevor.com/support

EXECUTIVE CHAIR

USER MANUAL

MODEL:GF-82724H-3

We continue to be committed to provide you tools with competitive price.

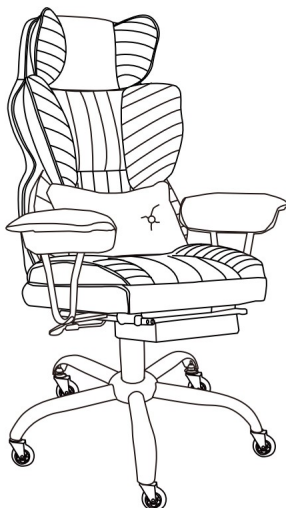
"Save Half", "Half Price" or any other similar expressions used by us only represents an estimate of savings you might benefit from buying certain tools with us compared to the major top brands and does not necessarily mean to cover all categories of tools offered by us. You are kindly reminded to verify carefully when you are placing an order with us if you are actually saving half in comparison with the top major brands.

VEVOR[®]

TOUGH TOOLS, HALF PRICE

EXECUTIVE CHAIR

MODEL: GF-82724H-3



NEED HELP? CONTACT US!

Have product questions? Need technical support? Please feel free to contact us:

Technical Support and E-Warranty Certificate
www.vevor.com/support

This is the original instruction, please read all manual instructions carefully before operating. VEVOR reserves a clear interpretation of our user manual. The appearance of the product shall be subject to the product you received. Please forgive us that we won't inform you again if there are any technology or software updates on our product.

SAFETY INSTRUCTIONS

WARNING:

Read this instructions carefully before using this product. Failure to do so can result in serious injury.

Assembly precautions


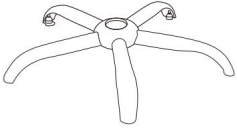

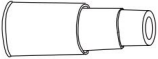
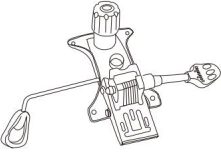
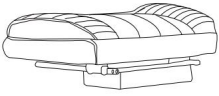
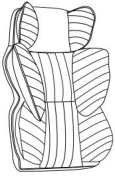



1. Assemble only should be according to these instructions. Improper assembly can result in hazards.
2. Wear ANSI-approved safety goggles and heavy-duty work gloves during assembly.
3. Keep the assembly area clean and well-lit.
4. Keep bystanders out of the area during assembly.
5. Do not assemble when tired or when under the influence of alcohol, drugs or medication.
6. The product capabilities apply to properly and completely assembled products only.
7. Assemble on a flat, level, hard and smooth surface capable of safely supporting the executive chair.
8. For additional information regarding the parts listed in the following pages, please refer to the Assembly Diagram of this manual. Unwrap and separate all parts in a clean work area.

Use precautions





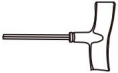
1. Do not exceed weight capacities.
2. Use only on a flat, level, hard and smooth surface capable of safely supporting a fully loaded executive chair.
3. Use as intended only.
4. Inspect before every use; do not use if parts are loose or damaged.

SAVE THESE INSTRUCTIONS





PARTS LIST

| | | |
|---|--|--|
| (1) | (2) | (3) |
|  |  |  |
| Rollen: 5 Stück | Basis: 1 Stück | Gasdruckfeder: 1 Stk. |
| (4) | (5) | (6) |
|  |  |  |
| Gasdruckfeder-Abdeckung: 1 Stück | Sitzplatte: 1 Stk. | Sitzkissen : 1 Stück |
| (7) | (8) | (9) |
|  | <p style="text-align: center;">8-R 8-L</p>  |  |
| Rückenkissen : 1 Stück | Armlehne: 1 Paar | J-Stange: 1 Stk. |
| | | (10) |
| | |  |
| | | Lordosenstütze: 1 Stück |

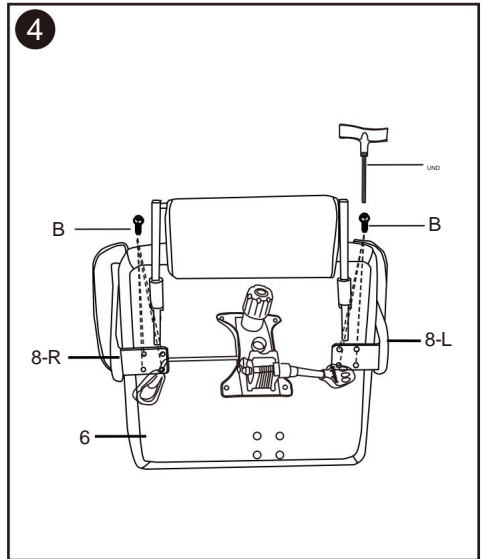
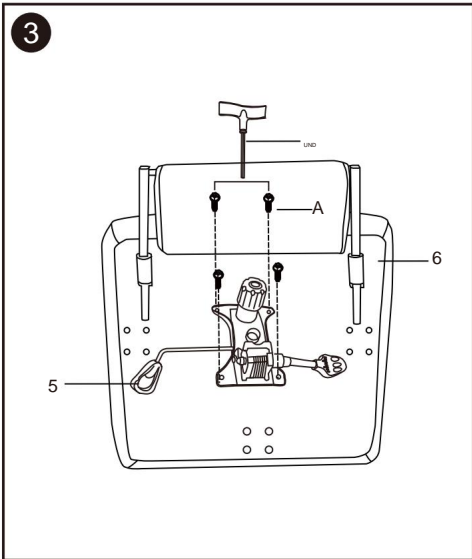
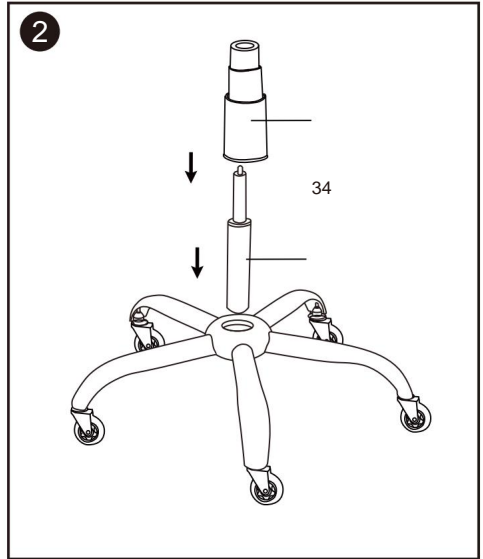
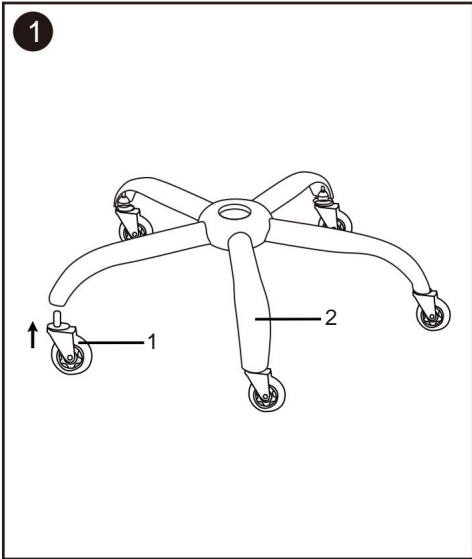
Hardware

| | | | | |
|---|---|---|---|---|
| A | B | C | D | UND |
|  |  |  |  |  |
| 1/4x1 Zoll 1/4x1-1/4 Zoll | 1/4x1-1/4 Zoll | 1/4x1-1/8" | 5/16x1-1/4" | |
| Schraube: 4 Stück | Schraube: 8 Stück | Schraube: 4 Stück | Schraube: 4 Stück | Schraubenschlüssel: 1 Stück |

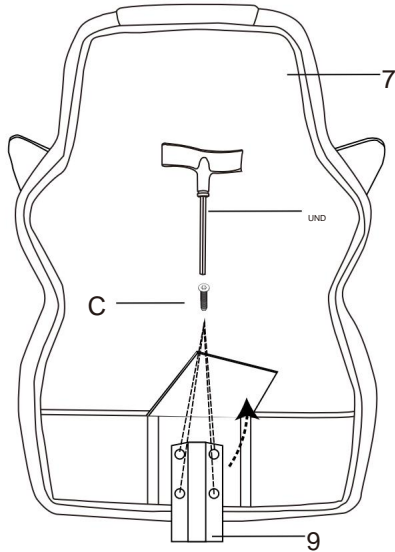
Ersatzteile

| | | | |
|---|---|---|---|
|  |  |  |  |
| 1/4 x 1 Zoll | 1/4x1-1/4 Zoll | 1/4x1-1/8" | 5/16x1-1/4" |
| Schraube: 1 Stück | Schraube: 1 Stück | Schraube: 1 Stück | Schraube: 1 Stück |

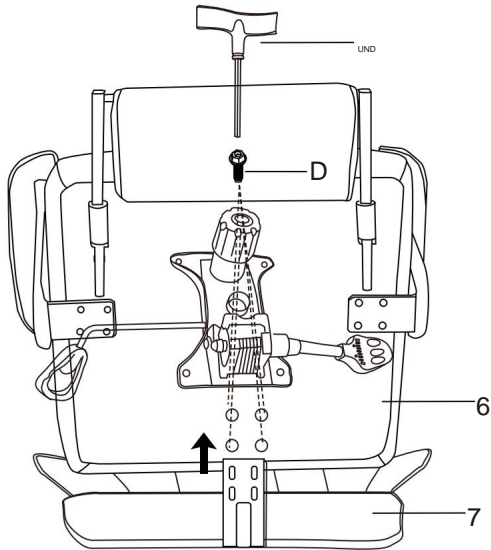
ASSEMBLY STEP



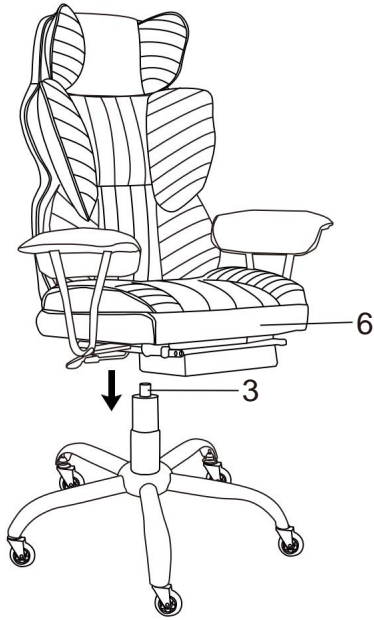
5



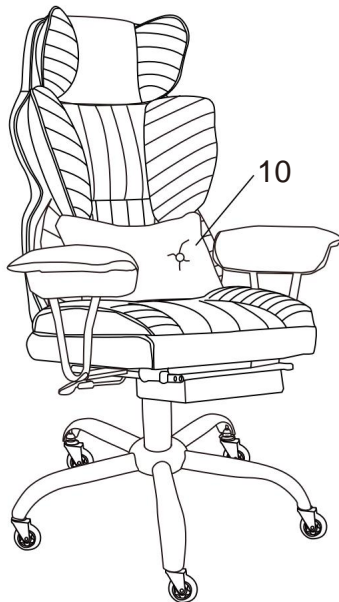
6



7



8



PRODUCT PARAMETER

| | |
|-------------------|---|
| Package size (mm) | 890*700*405 |
| Size (mm) | 740W*790D*1250H |
| N.W (kg) | 24.36 |
| G.W (kg) | 28.6 |
| Colour | White |
| Lifting range | ≤100mm |
| Backrest height | 860 mm |
| Backrest width | 650 mm |
| Cushion width | 600 mm |
| Cushion deep | 520 mm |
| Castor material | PU |
| Main Material | Iron+Bonded leather+High rebound sponge |
| Load-bearing | ≤350 lbs |

Hersteller: Shanghai muxinmuyeyouxiangongsi

Adresse: Shuangchenglu 803nong11hao1602A-1609shi, baoshanqu, Shanghai 200000 CN.

Nach AUS importiert: SIHAO PTY LTD. 1 ROKEVA STREET EASTWOOD NSW 2122 Australien

Importiert in die USA: Sanven Technology Ltd. Suite 250, 9166 Anaheim Place, Rancho Cucamonga, CA 91730



E-CrossStu GmbH
Mainzer Landstr.69,
60329 Frankfurt am Main.



YH CONSULTING LIMITED.
C/O YH Consulting Limited Office 147, Centurion
House, London Road, Staines-upon-
Thames, Surrey, TW18 4AX

VEVOR[®]

TOUGH TOOLS, HALF PRICE

Technical Support and E-Warranty Certificate

www.vevor.com/support

VEVOR[®]

TOUGH TOOLS, HALF PRICE

Technical Support and E-Warranty Certificate www.vevor.com/support

EXECUTIVE CHAIR

USER MANUAL

MODEL:GF-82724H-3

We continue to be committed to provide you tools with competitive price.

"Save Half", "Half Price" or any other similar expressions used by us only represents an estimate of savings you might benefit from buying certain tools with us compared to the major top brands and does not necessarily mean to cover all categories of tools offered by us. You are kindly reminded to verify carefully when you are placing an order with us if you are actually saving half in comparison with the top major brands.

VEVOR[®]

TOUGH TOOLS, HALF PRICE

EXECUTIVE CHAIR

MODEL: GF-82724H-3



NEED HELP? CONTACT US!

Have product questions? Need technical support? Please feel free to contact us:

Technical Support and E-Warranty Certificate
www.vevor.com/support

This is the original instruction, please read all manual instructions carefully before operating. VEVOR reserves a clear interpretation of our user manual. The appearance of the product shall be subject to the product you received. Please forgive us that we won't inform you again if there are any technology or software updates on our product.

SAFETY INSTRUCTIONS

WARNING:

Read this instructions carefully before using this product. Failure to do so can result in serious injury.



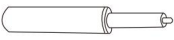
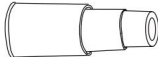
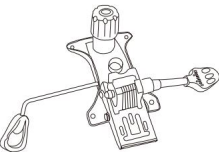
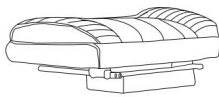
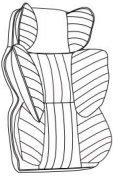



Assembly precautions

1. Assemble only should be according to these instructions. Improper assembly can result in hazards.
2. Wear ANSI-approved safety goggles and heavy-duty work gloves during assembly.
3. Keep the assembly area clean and well-lit.
4. Keep bystanders out of the area during assembly.
5. Do not assemble when tired or when under the influence of alcohol, drugs or medication.
6. The product capabilities apply to properly and completely assembled products only.
7. Assemble on a flat, level, hard and smooth surface capable of safely supporting the executive chair.
8. For additional information regarding the parts listed in the following pages, please refer to the Assembly Diagram of this manual. Unwrap and separate all parts in a clean work area.





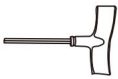
Use precautions

1. Do not exceed weight capacities.
2. Use only on a flat, level, hard and smooth surface capable of safely supporting a fully loaded executive chair.
3. Use as intended only.
4. Inspect before every use; do not use if parts are loose or damaged.





SAVE THESE INSTRUCTIONS**PARTS LIST**

| | | |
|---|---|--|
| (1) | (2) | (3) |
|  |  |  |
| Ruote: 5 pezzi | Base: 1 pz. | Alzata a gas: 1 pz. |
| (4) | (5) | (6) |
|  |  |  |
| Copertura del pistone a gas: 1 pz. | Piastra del sedile: 1 pz. | Cuscino del sedile : 1 pz. |
| (7) | (8) | (9) |
|  | 8-D 8-S  |  |
| Cuscino posteriore : 1 pz. | Bracciolo: 1 paio | Barra a J: 1 pz. |
| | | (10) |
| | |  |
| | | Supporto lombare: 1 pz. |

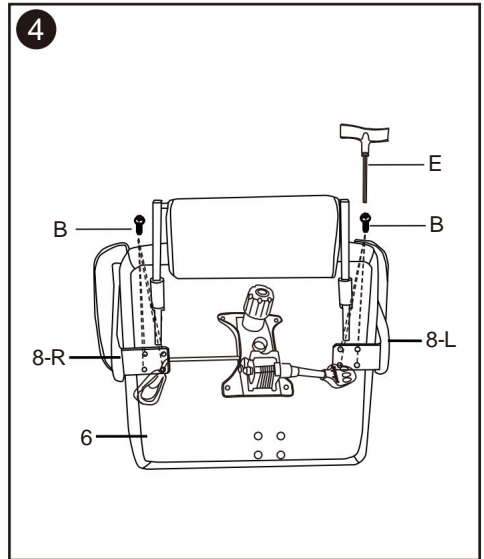
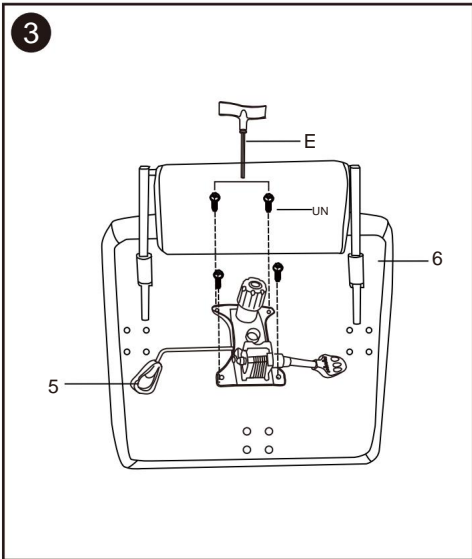
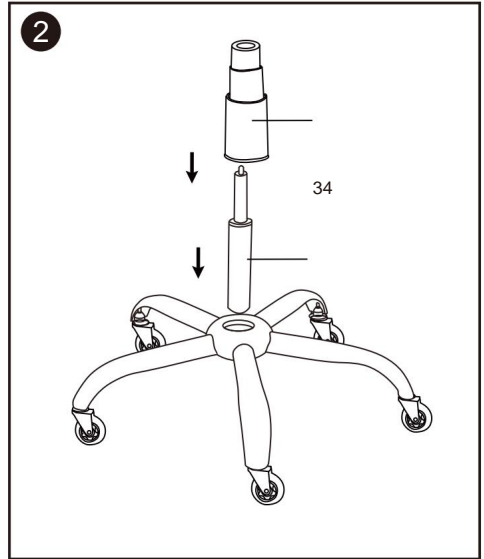
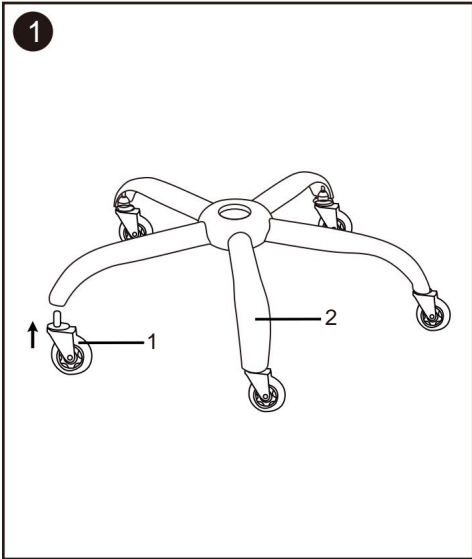
Hardware

| UN | B | C | D | E |
|---|---|---|---|---|
|  |  |  |  |  |
| 1/4x1" 1/4x1-1/4" | 1/4x1-1/4" | 1/4x1-1/8" | 5/16x1-1/4" | |
| Vite: 4 pezzi | Vite: 8 pezzi | Vite: 4 pezzi | Vite: 4 pezzi | Chiave inglese: 1 pz. |

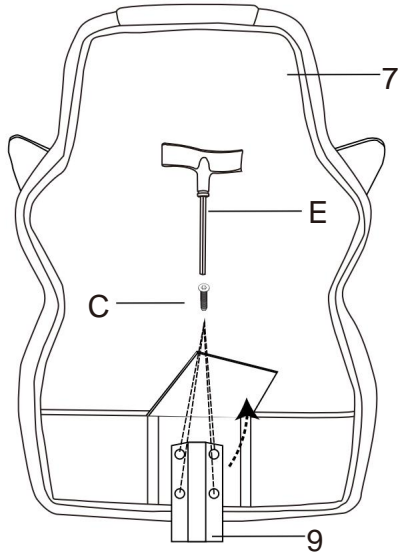
Pezzi di ricambio

| | | | |
|---|---|---|---|
|  |  |  |  |
| 1/4x1" | 1/4x1-1/4" | 1/4x1-1/8" | 5/16x1-1/4" |
| Vite: 1 pz. | Vite: 1 pz. | Vite: 1 pz. | Vite: 1 pz. |

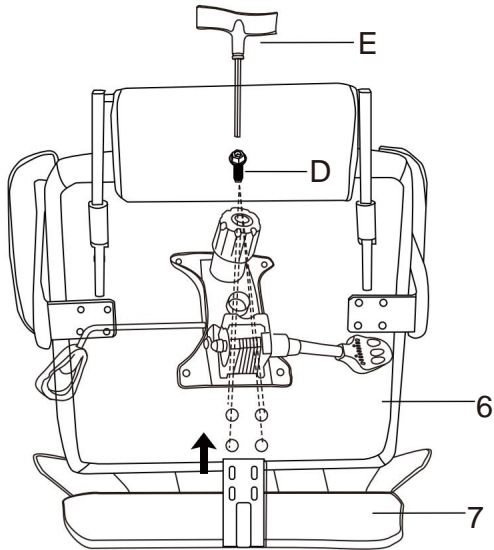
ASSEMBLY STEP



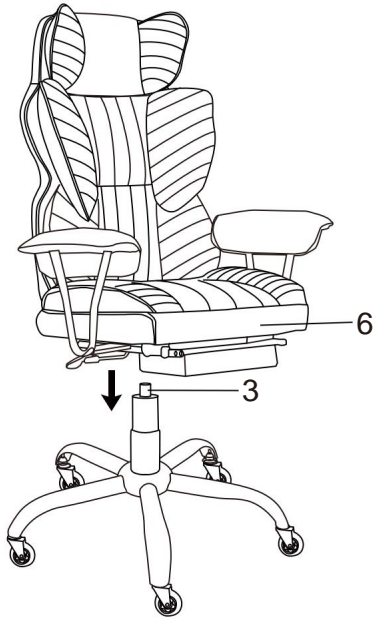
5



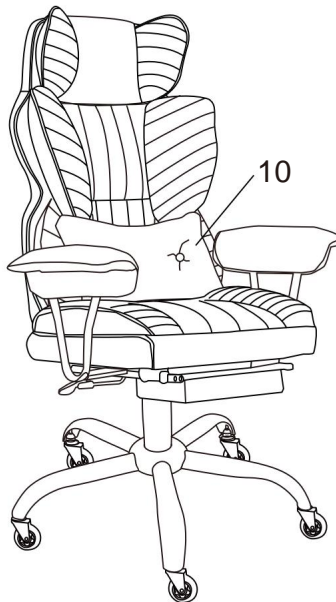
6



7



8



PRODUCT PARAMETER

| | |
|-------------------|---|
| Package size (mm) | 890*700*405 |
| Size (mm) | 740W*790D*1250H |
| N.W (kg) | 24.36 |
| G.W (kg) | 28.6 |
| Colour | White |
| Lifting range | ≤100mm |
| Backrest height | 860 mm |
| Backrest width | 650 mm |
| Cushion width | 600 mm |
| Cushion deep | 520 mm |
| Castor material | PU |
| Main Material | Iron+Bonded leather+High rebound sponge |
| Load-bearing | ≤350 lbs |

Produttore: Shanghai muxinmuyeyouxiangongsi

Indirizzo: Shuangchenglu 803nong11hao1602A-1609shi, baoshanqu, shanghai 200000 CN.

Importato in AUS: SIHAO PTY LTD. 1 ROKEVA STREET EASTWOOD NSW 2122 Australia

Importato negli USA: Sanven Technology Ltd. Suite 250, 9166 Anaheim Place, Rancho Cucamonga, CA 91730



E-CrossStu GmbH
Mainzer Landstr.69,
60329 Francoforte sul Meno.



CONSULENZA YH LIMITATA.
C/O YH Consulting Limited Ufficio 147, Centurion
House, London Road, Staines-upon-
Thames, Surrey, TW18 4AX

VEVOR[®]

TOUGH TOOLS, HALF PRICE

Technical Support and E-Warranty Certificate

www.vevor.com/support

VEVOR[®]

TOUGH TOOLS, HALF PRICE

Technical Support and E-Warranty Certificate www.vevor.com/support

EXECUTIVE CHAIR

USER MANUAL

MODEL:GF-82724H-3

We continue to be committed to provide you tools with competitive price.

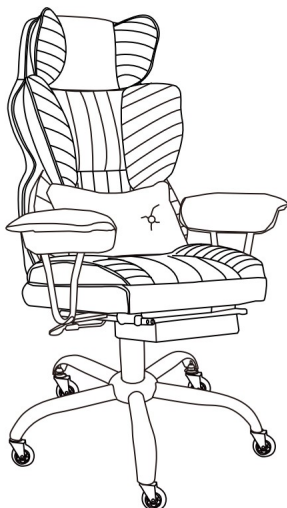
"Save Half", "Half Price" or any other similar expressions used by us only represents an estimate of savings you might benefit from buying certain tools with us compared to the major top brands and does not necessarily mean to cover all categories of tools offered by us. You are kindly reminded to verify carefully when you are placing an order with us if you are actually saving half in comparison with the top major brands.

VEVOR[®]

TOUGH TOOLS, HALF PRICE

EXECUTIVE CHAIR

MODEL: GF-82724H-3



NEED HELP? CONTACT US!

Have product questions? Need technical support? Please feel free to contact us:

Technical Support and E-Warranty Certificate
www.vevor.com/support

This is the original instruction, please read all manual instructions carefully before operating. VEVOR reserves a clear interpretation of our user manual. The appearance of the product shall be subject to the product you received. Please forgive us that we won't inform you again if there are any technology or software updates on our product.

SAFETY INSTRUCTIONS

WARNING:

Read this instructions carefully before using this product. Failure to do so can result in serious injury.

Assembly precautions


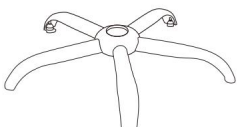


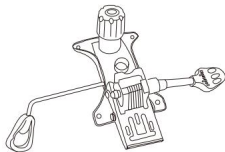
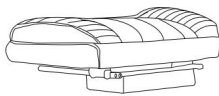
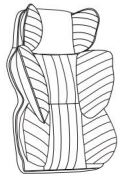







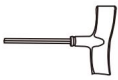
1. Assemble only should be according to these instructions. Improper assembly can result in hazards.
2. Wear ANSI-approved safety goggles and heavy-duty work gloves during assembly.
3. Keep the assembly area clean and well-lit.
4. Keep bystanders out of the area during assembly.
5. Do not assemble when tired or when under the influence of alcohol, drugs or medication.
6. The product capabilities apply to properly and completely assembled products only.
7. Assemble on a flat, level, hard and smooth surface capable of safely supporting the executive chair.
8. For additional information regarding the parts listed in the following pages, please refer to the Assembly Diagram of this manual. Unwrap and separate all parts in a clean work area.

Use precautions





1. Do not exceed weight capacities.
2. Use only on a flat, level, hard and smooth surface capable of safely supporting a fully loaded executive chair.
3. Use as intended only.
4. Inspect before every use; do not use if parts are loose or damaged.

SAVE THESE INSTRUCTIONS

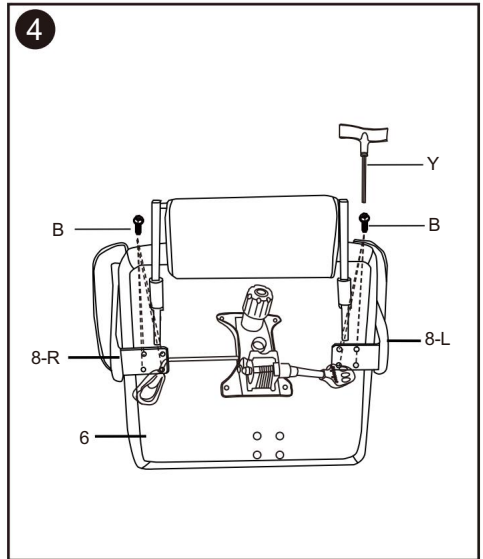
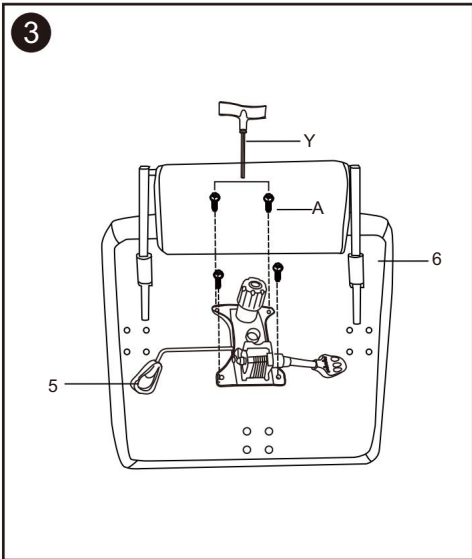
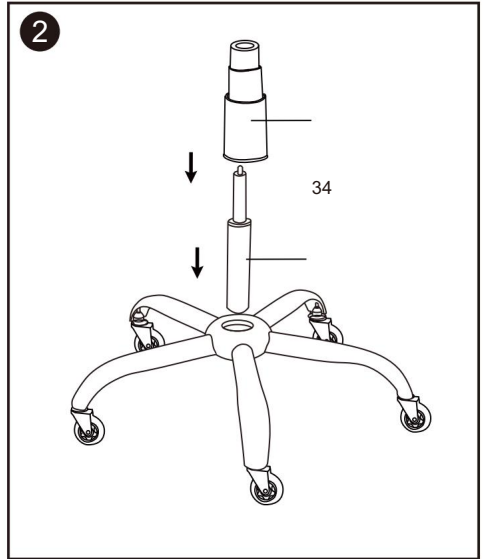
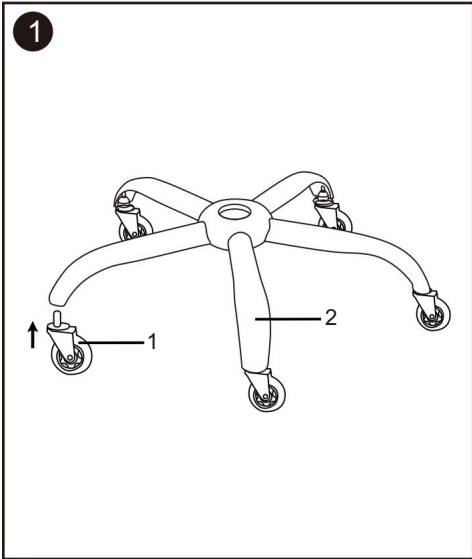
PARTS LIST

| | | | | |
|---|--|---|---|---|
| (1) | (2) | (3) | | |
|  |  |  | | |
| Ruedas: 5 uds. | Base: 1 pieza | Elevador de gas: 1 pieza | | |
| (4) | (5) | (6) | | |
|  |  |  | | |
| Tapa de elevación de gas: 1 pieza | Placa del asiento: 1 pieza | Cojin del asiento : 1 pieza | | |
| (7) | (8) | (9) | | |
|  | 8-D 8-I  |  | | |
| Cojin de espalda : 1 pieza | Apoyabrazos: 1 par | Barra en J: 1 pieza | | |
| (10) | | | | |
|  | | | | |
| Soporte lumbar: 1 pieza | | | | |
| Hardware | | | | |
| A | B | do | D | Y |
|  |  |  |  |  |
| 1/4 x 1 pulgada 1/4 x 1-1/4 pulgada | | 1/4 x 1-1/8" | 5/16 x 1-1/4" | |
| Tornillo: 4 piezas | Tornillo: 8 piezas | Tornillo: 4 piezas | Tornillo: 4 piezas | Llave: 1 pieza |

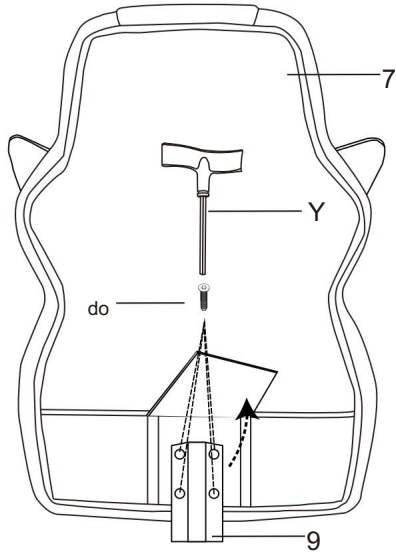
Piezas de repuesto

| | | | |
|---|---|---|---|
|  |  |  |  |
| 1/4 x 1 pulgada | 1/4 x 1-1/4" | 1/4 x 1-1/8" | 5/16 x 1-1/4" |
| Tornillo: 1 pieza | Tornillo: 1 pieza | Tornillo: 1 pieza | Tornillo: 1 pieza |

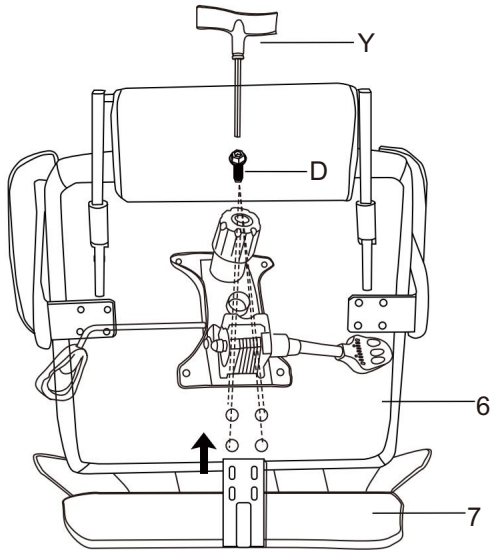
ASSEMBLY STEP



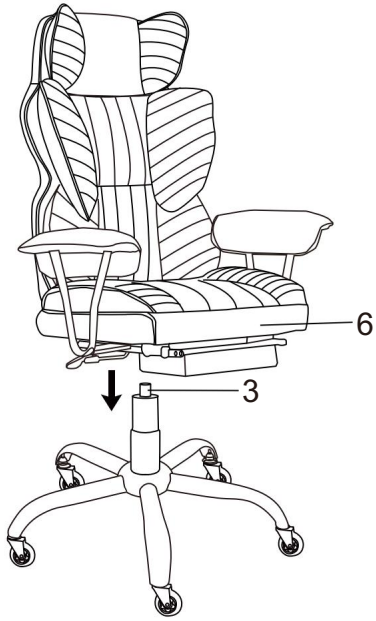
5



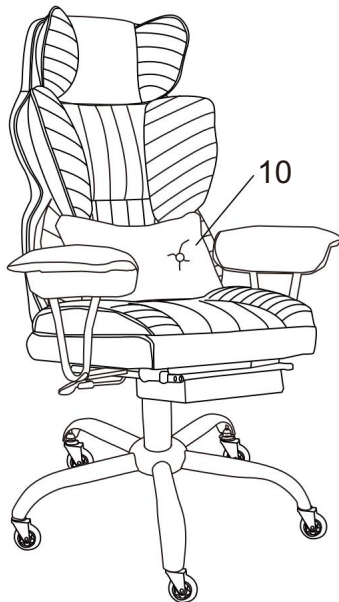
6



7



8



PRODUCT PARAMETER

| | |
|-------------------|---|
| Package size (mm) | 890*700*405 |
| Size (mm) | 740W*790D*1250H |
| N.W (kg) | 24.36 |
| G.W (kg) | 28.6 |
| Colour | White |
| Lifting range | ≤100mm |
| Backrest height | 860 mm |
| Backrest width | 650 mm |
| Cushion width | 600 mm |
| Cushion deep | 520 mm |
| Castor material | PU |
| Main Material | Iron+Bonded leather+High rebound sponge |
| Load-bearing | ≤350 lbs |

Fabricante: Shanghaimuxinmuyeyouxiangongsi

Dirección: Shuangchenglu 803nong11hao1602A-1609shi, baoshanqu, shanghai 200000 CN.

Importado a AUS: SIHAO PTY LTD. 1 ROKEVA STREETEASTWOOD NSW 2122 Australia

Importado a EE. UU.: Sanven Technology Ltd. Suite 250, 9166 Anaheim Place, Rancho Cucamonga, CA 91730



E-CrossStu GmbH
Mainzer Landstr.69,
60329 Fráncfort del Meno.



YH CONSULTING LIMITADA.
C/O YH Consulting Limited Oficina 147, Centurion
House, London Road, Staines-upon-
Thames, Surrey, TW18 4AX

VEVOR[®]

TOUGH TOOLS, HALF PRICE

Technical Support and E-Warranty Certificate

www.vevor.com/support

VEVOR[®]

TOUGH TOOLS, HALF PRICE

Technical Support and E-Warranty Certificate www.vevor.com/support

EXECUTIVE CHAIR

USER MANUAL

MODEL:GF-82724H-3

We continue to be committed to provide you tools with competitive price.

"Save Half", "Half Price" or any other similar expressions used by us only represents an estimate of savings you might benefit from buying certain tools with us compared to the major top brands and does not necessarily mean to cover all categories of tools offered by us. You are kindly reminded to verify carefully when you are placing an order with us if you are actually saving half in comparison with the top major brands.

VEVOR[®]

TOUGH TOOLS, HALF PRICE

EXECUTIVE CHAIR

MODEL: GF-82724H-3



NEED HELP? CONTACT US!

Have product questions? Need technical support? Please feel free to contact us:

Technical Support and E-Warranty Certificate
www.vevor.com/support

This is the original instruction, please read all manual instructions carefully before operating. VEVOR reserves a clear interpretation of our user manual. The appearance of the product shall be subject to the product you received. Please forgive us that we won't inform you again if there are any technology or software updates on our product.

SAFETY INSTRUCTIONS

WARNING:

Read this instructions carefully before using this product. Failure to do so can result in serious injury.

Assembly precautions


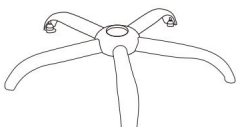


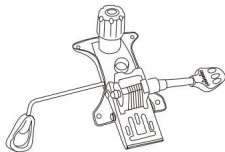
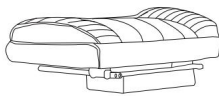
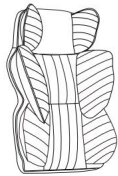

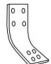





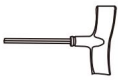
1. Assemble only should be according to these instructions. Improper assembly can result in hazards.
2. Wear ANSI-approved safety goggles and heavy-duty work gloves during assembly.
3. Keep the assembly area clean and well-lit.
4. Keep bystanders out of the area during assembly.
5. Do not assemble when tired or when under the influence of alcohol, drugs or medication.
6. The product capabilities apply to properly and completely assembled products only.
7. Assemble on a flat, level, hard and smooth surface capable of safely supporting the executive chair.
8. For additional information regarding the parts listed in the following pages, please refer to the Assembly Diagram of this manual. Unwrap and separate all parts in a clean work area.

Use precautions





1. Do not exceed weight capacities.
2. Use only on a flat, level, hard and smooth surface capable of safely supporting a fully loaded executive chair.
3. Use as intended only.
4. Inspect before every use; do not use if parts are loose or damaged.

SAVE THESE INSTRUCTIONS

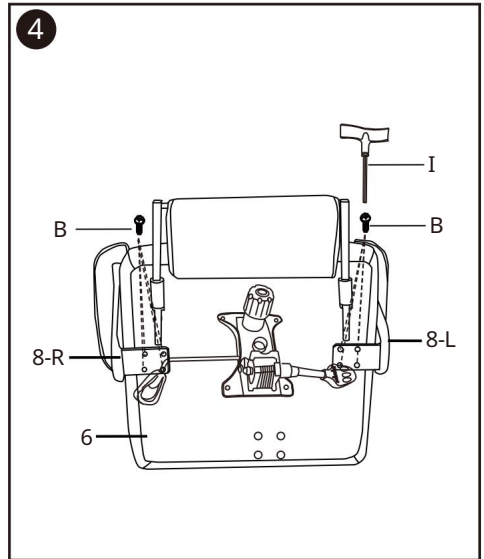
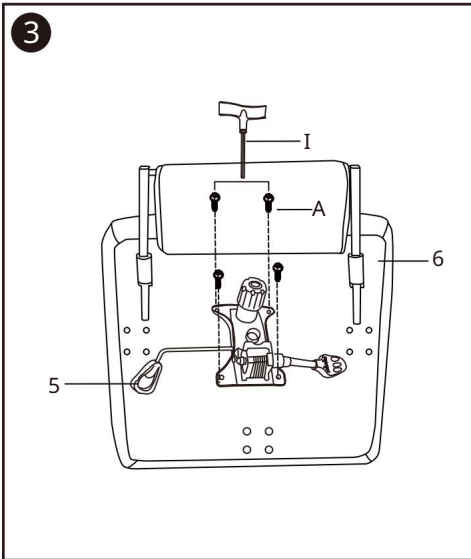
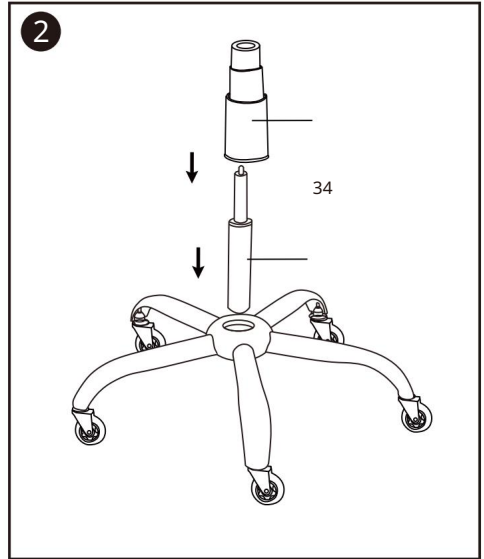
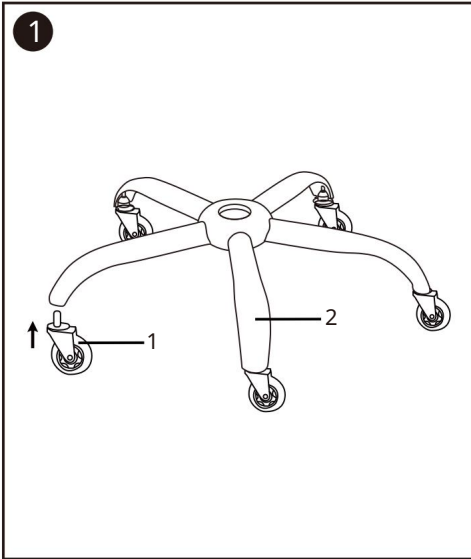
PARTS LIST

| | | | | |
|---|--|--|---|--|
| (1) | (2) | (3) | | |
|  <p>Kółka: 5 szt.</p> |  <p>Podstawa: 1 szt.</p> |  <p>Podnośnik gazowy: 1 szt.</p> | | |
| (4) | (5) | (6) | | |
|  <p>Pokrywa podnośnika gazowego: 1 szt.</p> |  <p>Płyta siedziska: 1 szt.</p> |  <p>Poduszka siedziska : 1 szt.</p> | | |
| (7) | (8) | (9) | | |
|  <p>Poduszka pod plecy : 1 szt.</p> | <p>8-P 8-L</p>  <p>Podłokietnik: 1 para</p> |  <p>Pręt J: 1 szt.</p> | | |
| | | (10) | | |
| | |  <p>Podparcie lędźwiowe: 1 szt.</p> | | |
| Sprzęt komputerowy | | | | |
| A | B | C | D | I |
|  <p>1/4x1" 1/4x1-1/4"</p> <p>Śruba: 4 szt. Śruba: 8 szt.</p> |  <p>Śruba: 8 szt.</p> |  <p>1/4x1-1/8"</p> <p>Śruba: 4 szt.</p> |  <p>5/16x1-1/4"</p> <p>Śruba: 4 szt.</p> |  <p>Klucz: 1 szt.</p> |

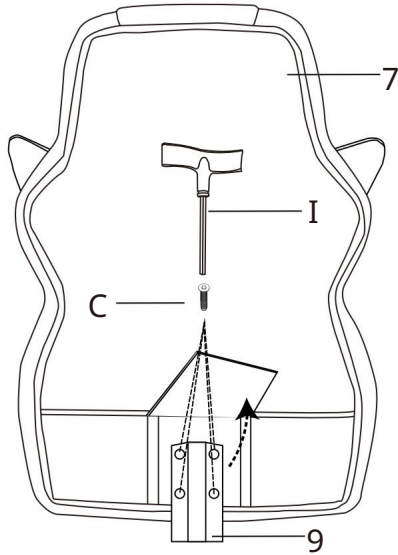
Części zapasowe

| | | | |
|--|--|--|---|
|  <p>1/4x1"</p> <p>Śruba: 1 szt.</p> |  <p>1/4x1-1/4"</p> <p>Śruba: 1 szt.</p> |  <p>1/4x1-1/8"</p> <p>Śruba: 1 szt.</p> |  <p>5/16x1-1/4"</p> <p>Śruba: 1 szt.</p> |
|--|--|--|---|

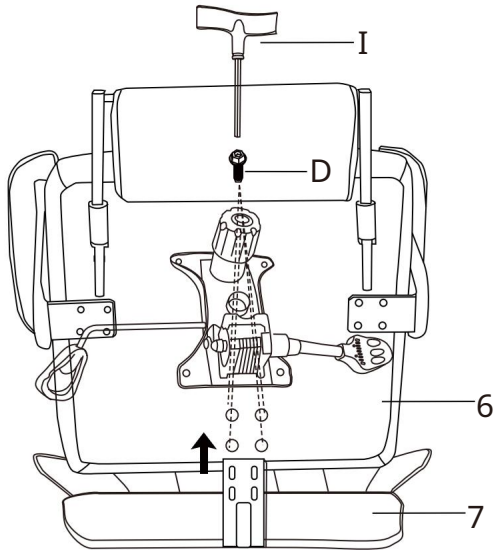
ASSEMBLY STEP



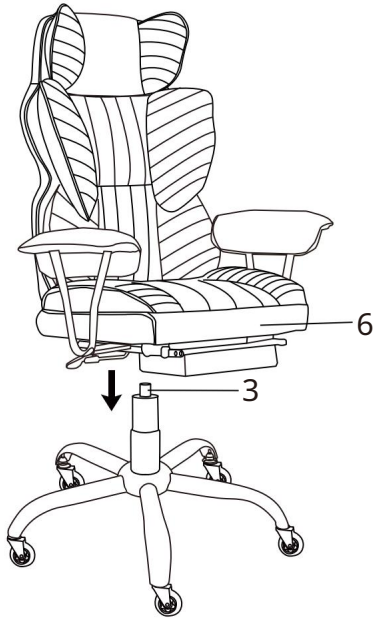
5



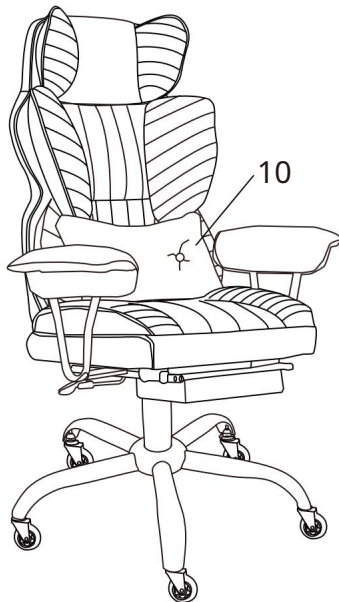
6



7



8



PRODUCT PARAMETER

| | |
|-------------------|---|
| Package size (mm) | 890*700*405 |
| Size (mm) | 740W*790D*1250H |
| N.W (kg) | 24.36 |
| G.W (kg) | 28.6 |
| Colour | White |
| Lifting range | ≤100mm |
| Backrest height | 860 mm |
| Backrest width | 650 mm |
| Cushion width | 600 mm |
| Cushion deep | 520 mm |
| Castor material | PU |
| Main Material | Iron+Bonded leather+High rebound sponge |
| Load-bearing | ≤350 lbs |

Producent: Shanghaimuxinmuyeyouxiangongsi

Adres: Shuangchenglu 803nong11hao1602A-1609shi, baoshanqu, szanghaj 200000 CN.

Importowane do AUS: SIHAO PTY LTD. 1 ROKEVA STREETEASTWOOD NSW 2122 Australia

Importowane do USA: Sanven Technology Ltd. Suite 250, 9166 Anaheim Place, Rancho Cucamonga, CA 91730



E-CrossStu GmbH
Mainzer Landstr.69,
60329 Frankfurt nad Menem.



YH CONSULTING LIMITED.
C/O YH Consulting Limited Biuro 147, Centurion
House, London Road, Staines-upon-
Thames, Surrey, TW18 4AX

VEVOR[®]

TOUGH TOOLS, HALF PRICE

Technical Support and E-Warranty Certificate

www.vevor.com/support

VEVOR[®]

TOUGH TOOLS, HALF PRICE

Technical Support and E-Warranty Certificate www.vevor.com/support

EXECUTIVE CHAIR

USER MANUAL

MODEL:GF-82724H-3

We continue to be committed to provide you tools with competitive price.

"Save Half", "Half Price" or any other similar expressions used by us only represents an estimate of savings you might benefit from buying certain tools with us compared to the major top brands and does not necessarily mean to cover all categories of tools offered by us. You are kindly reminded to verify carefully when you are placing an order with us if you are actually saving half in comparison with the top major brands.

VEVOR[®]

TOUGH TOOLS, HALF PRICE

EXECUTIVE CHAIR

MODEL: GF-82724H-3



NEED HELP? CONTACT US!

Have product questions? Need technical support? Please feel free to contact us:

Technical Support and E-Warranty Certificate
www.vevor.com/support

This is the original instruction, please read all manual instructions carefully before operating. VEVOR reserves a clear interpretation of our user manual. The appearance of the product shall be subject to the product you received. Please forgive us that we won't inform you again if there are any technology or software updates on our product.

SAFETY INSTRUCTIONS

WARNING:

Read this instructions carefully before using this product. Failure to do so can result in serious injury.

Assembly precautions


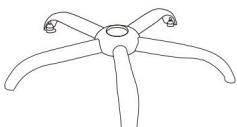

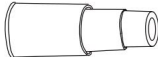
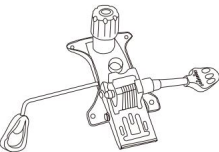
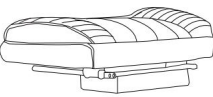
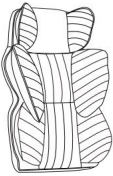



1. Assemble only should be according to these instructions. Improper assembly can result in hazards.
2. Wear ANSI-approved safety goggles and heavy-duty work gloves during assembly.
3. Keep the assembly area clean and well-lit.
4. Keep bystanders out of the area during assembly.
5. Do not assemble when tired or when under the influence of alcohol, drugs or medication.
6. The product capabilities apply to properly and completely assembled products only.
7. Assemble on a flat, level, hard and smooth surface capable of safely supporting the executive chair.
8. For additional information regarding the parts listed in the following pages, please refer to the Assembly Diagram of this manual. Unwrap and separate all parts in a clean work area.

Use precautions





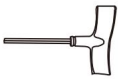
1. Do not exceed weight capacities.
2. Use only on a flat, level, hard and smooth surface capable of safely supporting a fully loaded executive chair.
3. Use as intended only.
4. Inspect before every use; do not use if parts are loose or damaged.

SAVE THESE INSTRUCTIONS





PARTS LIST

| | | |
|--|--|--|
| (1) | (2) | (3) |
|  <p>Zwenkwielen: 5 stuks</p> |  <p>Basis: 1 st</p> |  <p>Gaslift: 1 st.</p> |
| (4) | (5) | (6) |
|  <p>Gasliftafdekking: 1 st.</p> |  <p>Zitplaat: 1 st.</p> |  <p>Zitkussen : 1 st.</p> |
| (7) | (8) | (9) |
|  <p>Rugkussen : 1 st.</p> | <p>8-R 8-L</p>  <p>ArMLEuning: 1 paar</p> |  <p>J-Bar: 1 st.</p> |
| | | (10) |
| | |  <p>Lendensteun: 1 st.</p> |

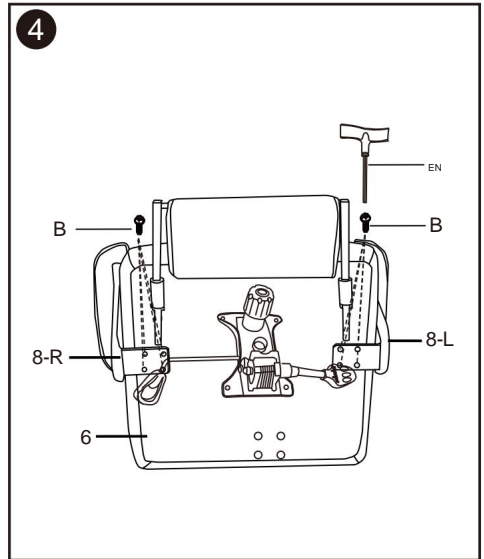
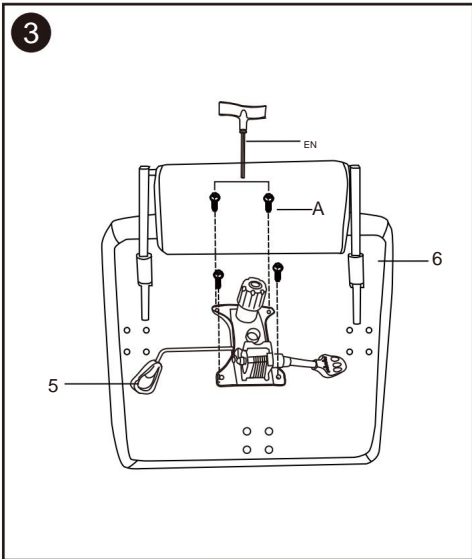
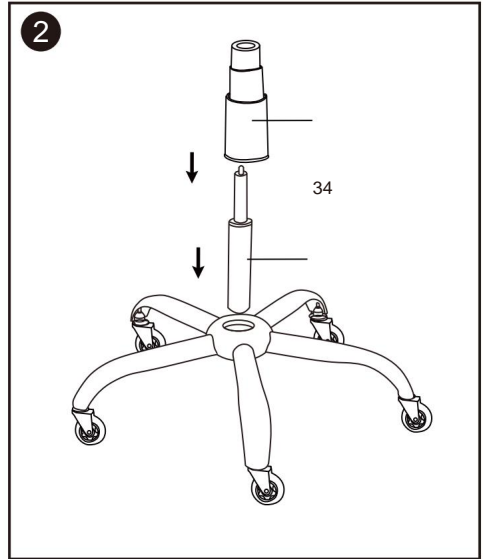
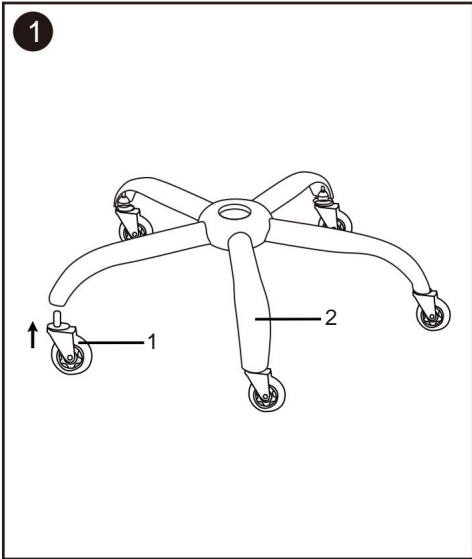
Hardware

| | | | | |
|--|---|---|--|---|
| A | B | C | D | EN |
|  <p>1/4x1" 1/4x1-1/4"</p> <p>Schroef: 4 stuks</p> |  <p>Schroef: 8 stuks</p> |  <p>1/4x1-1/8"</p> <p>Schroef: 4 stuks</p> |  <p>5/16x1-1/4"</p> <p>Schroef: 4 stuks</p> |  <p>Sleutel: 1 st.</p> |

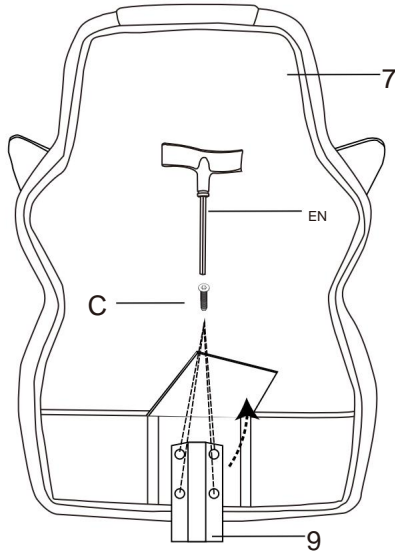
Reserveonderdelen

| | | | |
|---|---|---|--|
|  <p>1/4x1"</p> <p>Schroef: 1 st.</p> |  <p>1/4x1-1/4"</p> <p>Schroef: 1 st.</p> |  <p>1/4x1-1/8"</p> <p>Schroef: 1 st.</p> |  <p>5/16x1-1/4"</p> <p>Schroef: 1 st.</p> |
|---|---|---|--|

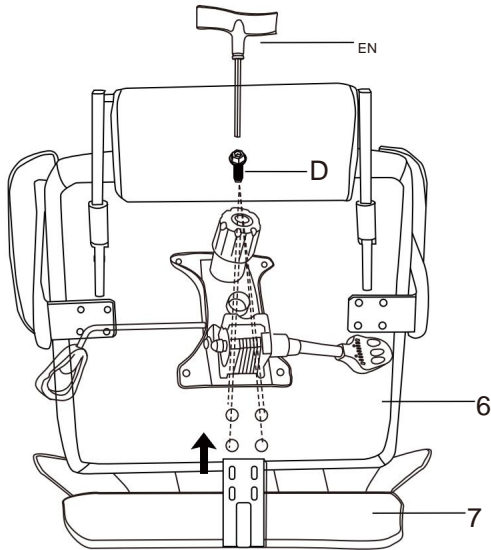
ASSEMBLY STEP



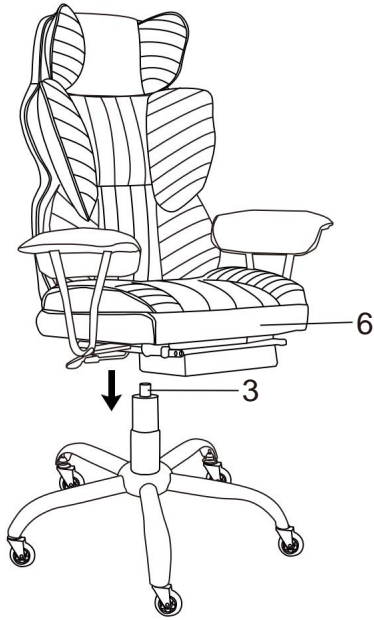
5



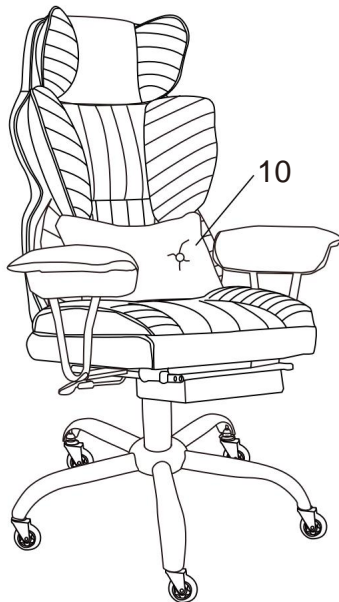
6



7



8



PRODUCT PARAMETER

| | |
|-------------------|---|
| Package size (mm) | 890*700*405 |
| Size (mm) | 740W*790D*1250H |
| N.W (kg) | 24.36 |
| G.W (kg) | 28.6 |
| Colour | White |
| Lifting range | ≤100mm |
| Backrest height | 860 mm |
| Backrest width | 650 mm |
| Cushion width | 600 mm |
| Cushion deep | 520 mm |
| Castor material | PU |
| Main Material | Iron+Bonded leather+High rebound sponge |
| Load-bearing | ≤350 lbs |

Fabrikant: Shanghaimuxinmuyeyouxiangongsi

Adres: Shuangchenglu 803nong11hao1602A-1609shi, baoshanqu, shanghai 200000 CN.

Geïmporteerd naar AUS: SIHAO PTY LTD. 1 ROKEVA STREETEASTWOOD NSW 2122 Australië

Geïmporteerd naar de VS: Sanven Technology Ltd. Suite 250, 9166 Anaheim Place, Rancho Cucamonga, CA 91730



E-CrossStu GmbH
Mainzer Landstr.69,
60329 Frankfurt am Main.



YH CONSULTING LIMITED.
C/O YH Consulting Limited Kantoor 147,
Centurion House, London Road, Staines-
upon-Thames, Surrey, TW18 4AX

VEVOR[®]

TOUGH TOOLS, HALF PRICE

Technical Support and E-Warranty Certificate

www.vevor.com/support

VEVOR[®]

TOUGH TOOLS, HALF PRICE

Technical Support and E-Warranty Certificate www.vevor.com/support

EXECUTIVE CHAIR

USER MANUAL

MODEL:GF-82724H-3

We continue to be committed to provide you tools with competitive price.

"Save Half", "Half Price" or any other similar expressions used by us only represents an estimate of savings you might benefit from buying certain tools with us compared to the major top brands and does not necessarily mean to cover all categories of tools offered by us. You are kindly reminded to verify carefully when you are placing an order with us if you are actually saving half in comparison with the top major brands.

VEVOR[®]

TOUGH TOOLS, HALF PRICE

EXECUTIVE CHAIR

MODEL: GF-82724H-3



NEED HELP? CONTACT US!

Have product questions? Need technical support? Please feel free to contact us:

Technical Support and E-Warranty Certificate
www.vevor.com/support

This is the original instruction, please read all manual instructions carefully before operating. VEVOR reserves a clear interpretation of our user manual. The appearance of the product shall be subject to the product you received. Please forgive us that we won't inform you again if there are any technology or software updates on our product.

SAFETY INSTRUCTIONS

WARNING:

Read this instructions carefully before using this product. Failure to do so can result in serious injury.

Assembly precautions


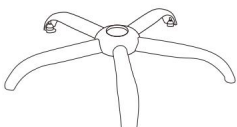


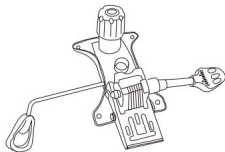
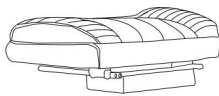
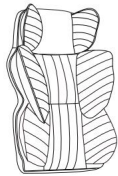







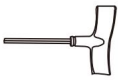
1. Assemble only should be according to these instructions. Improper assembly can result in hazards.
2. Wear ANSI-approved safety goggles and heavy-duty work gloves during assembly.
3. Keep the assembly area clean and well-lit.
4. Keep bystanders out of the area during assembly.
5. Do not assemble when tired or when under the influence of alcohol, drugs or medication.
6. The product capabilities apply to properly and completely assembled products only.
7. Assemble on a flat, level, hard and smooth surface capable of safely supporting the executive chair.
8. For additional information regarding the parts listed in the following pages, please refer to the Assembly Diagram of this manual. Unwrap and separate all parts in a clean work area.

Use precautions





1. Do not exceed weight capacities.
2. Use only on a flat, level, hard and smooth surface capable of safely supporting a fully loaded executive chair.
3. Use as intended only.
4. Inspect before every use; do not use if parts are loose or damaged.

SAVE THESE INSTRUCTIONS

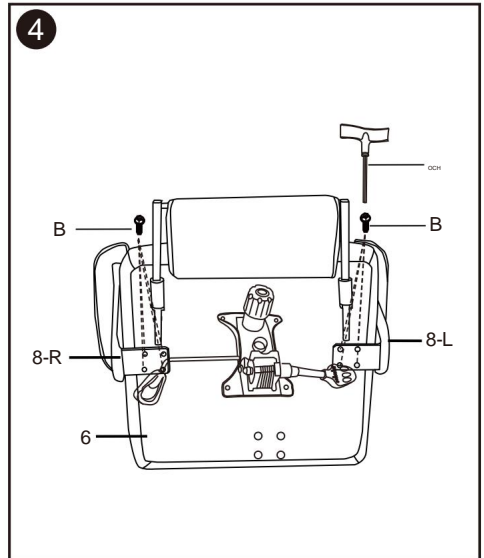
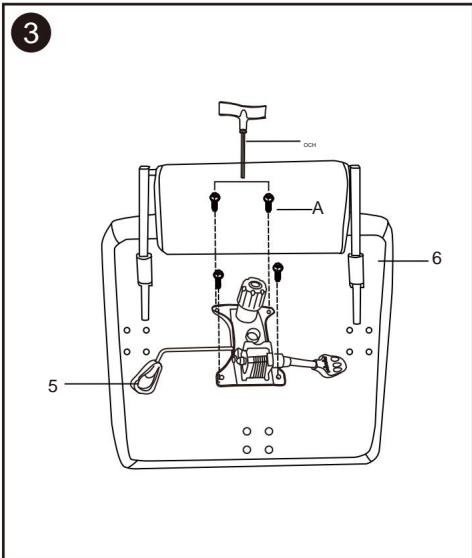
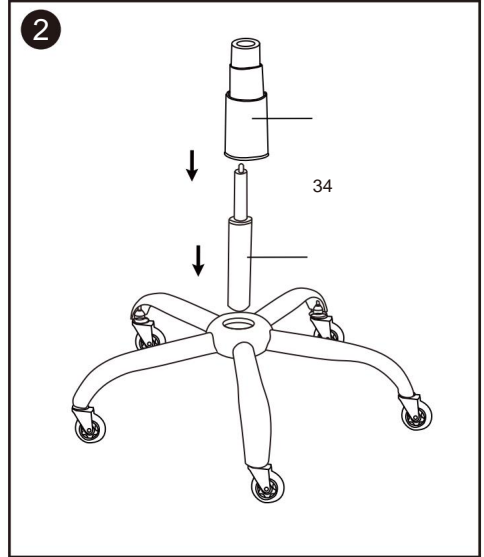
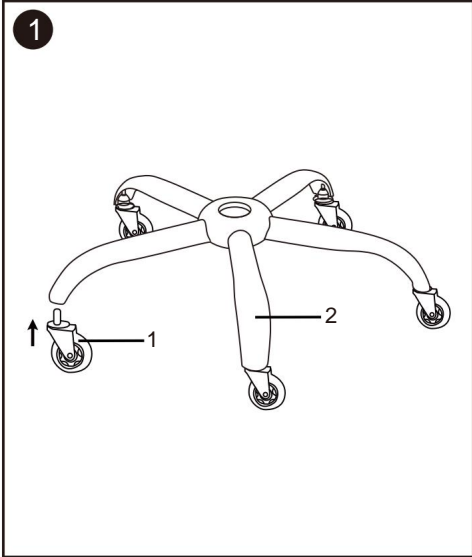
PARTS LIST

| | | | | |
|---|--|---|---|---|
| (1) | (2) | (3) | | |
|  |  |  | | |
| Hjul: 5 st | Bas: 1 st | Gaslift: 1 st | | |
| (4) | (5) | (6) | | |
|  |  |  | | |
| Gaslyftskåpa: 1 st | Sittplatta: 1 st | Sittdyna : 1 st | | |
| (7) | (8) | (9) | | |
|  | 8-R 8-L  |  | | |
| Ryggkudde : 1 st | Armstöd: 1 par | J-Bar: 1 st | | |
| | | (10) | | |
| | |  | | |
| | | Svankstöd: 1 st | | |
| Hårdvara | | | | |
| A | B | C | D | OCH |
|  |  |  |  |  |
| 1/4x1" 1/4x1-1/4" | 1/4x1-1/4" | 1/4x1-1/8" | 5/16x1-1/4" | |
| Skruv : 4 st | Skruv : 8 st | Skruv: 4 st | Skruv: 4 st | Skiftnyckel: 1 st |

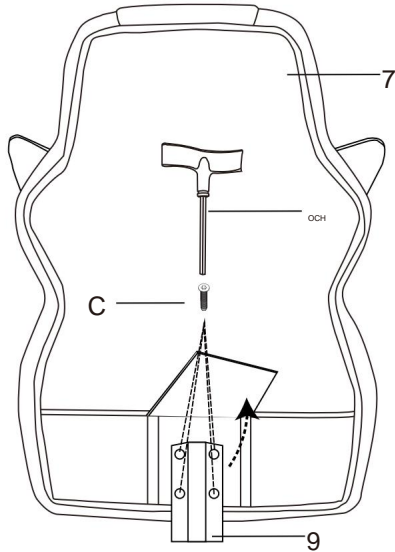
Reservdelar

| | | | |
|---|---|---|---|
|  |  |  |  |
| 1/4x1" | 1/4x1-1/4" | 1/4x1-1/8" | 5/16x1-1/4" |
| Skruv: 1 st | Skruv: 1 st | Skruv: 1 st | Skruv: 1 st |

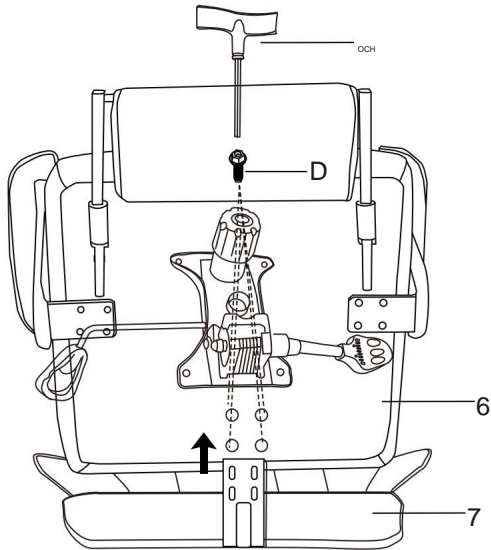
ASSEMBLY STEP



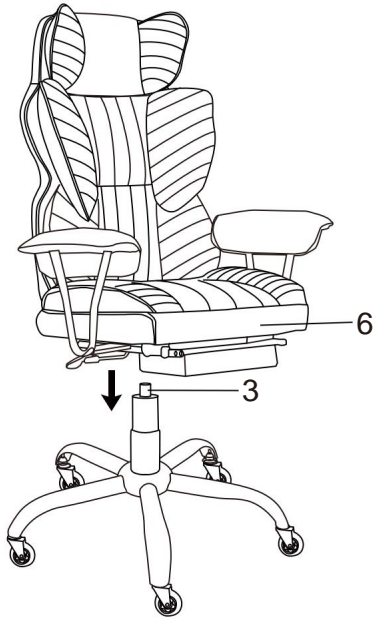
5



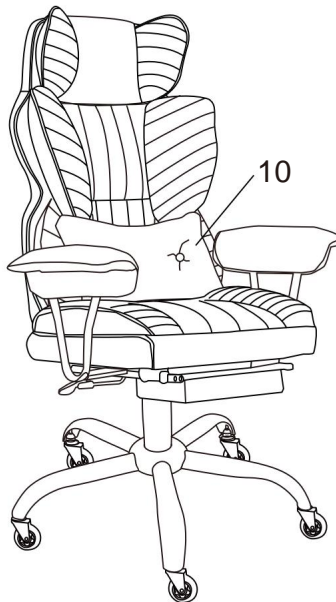
6



7



8



PRODUCT PARAMETER

| | |
|-------------------|---|
| Package size (mm) | 890*700*405 |
| Size (mm) | 740W*790D*1250H |
| N.W (kg) | 24.36 |
| G.W (kg) | 28.6 |
| Colour | White |
| Lifting range | ≤100mm |
| Backrest height | 860 mm |
| Backrest width | 650 mm |
| Cushion width | 600 mm |
| Cushion deep | 520 mm |
| Castor material | PU |
| Main Material | Iron+Bonded leather+High rebound sponge |
| Load-bearing | ≤350 lbs |

Tillverkare: Shanghaimuxinmuyeyouxiangongsi

Adress: Shuangchenglu 803nong11hao1602A-1609shi, baoshanqu, shanghai 200000

CN.

Importerad till AUS: SIHAO PTY LTD. 1 ROKEVA STREETEASTWOOD NSW 2122 Australien

Importerad till USA: Sanven Technology Ltd. Suite 250, 9166 Anaheim Place, Rancho Cucamonga, CA 91730



E-CrossStu GmbH
Mainzer Landstr.69,
60329 Frankfurt am Main.



YH CONSULTING LIMITED.
C/O YH Consulting Limited Office 147, Centurion
House, London Road, Staines-upon-
Thames, Surrey, TW18 4AX

VEVOR[®]

TOUGH TOOLS, HALF PRICE

Technical Support and E-Warranty Certificate

www.vevor.com/support