

# **VEVOR<sup>®</sup>**

**TOUGH TOOLS, HALF PRICE**

**Technical Support and E-Warranty Certificate**  
**[www.vevor.com/support](http://www.vevor.com/support)**

## **SUBMERSIBLE PUMP FOR DEEP-WELL OPERATION MANUAL**

We continue to be committed to provide you tools with competitive price. "Save Half", "Half Price" or any other similar expressions used by us only represents an estimate of savings you might benefit from buying certain tools with us compared to the major top brands and does not necessarily mean to cover all categories of tools offered by us.

You are kindly reminded to verify carefully when you are placing an order with us if you are actually saving half in comparison with the top major brands.



# VEVOR<sup>®</sup>

TOUGH TOOLS, HALF PRICE

## SUBMERSIBLE PUMP FOR DEEP-WELL



### NEED HELP? CONTACT US!

Have product questions? Need technical support? Please feel free to contact us:

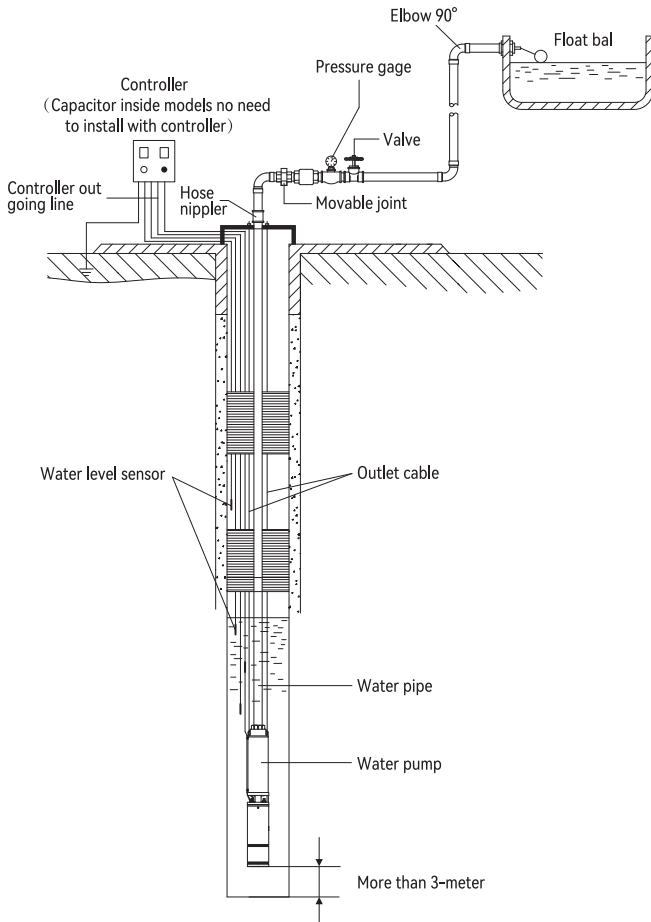
**Technical Support and E-Warranty Certificate**  
[www.vevor.com/support](http://www.vevor.com/support)

This is the original instructions, please read all manual instructions carefully before operating. VEVOR reserves clear interpretation of our user manual. The appearance of the product shall be subject to the product you received. Please forgive us that we won't inform you again if there is any technology or software updates on our product.

Thank you for buying our water pumps.  
Please read the operation manual carefully before using.

## **⚠️ WARNING**

- The reliable grounding must be conducted before using water pump. The earth leakage protective device as well as the overload or over-current protective device must be installed on water pump.
- The electric pump is not allowed for dry running.
- When the pump is in operation, people and animals shall not touch the water near the pump.
- In order to prevent electrical shock, the power source shall be shut off at maintenance and cleaning.
- Replacement power cord, Type Y connection-If the power cord is damaged, it must be replaced with a special flexible cord or a special component purchased from its manufacturer or maintenance department.



The above installation structure is for reference only. Please purchase the matching parts shown in the figure by yourself.

## INTRODUCTION

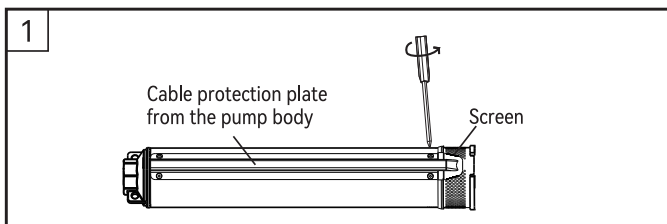
The deep-well pump is a water lifting tool based on direct connection between electric machine and water pump, which is suitable for fetching underground water from deep wells, rivers, reservoirs and canals etc in some projects. Further, this product is mainly used for farmland irrigation as well as human and animal drinking water in plateau mountain areas. More importantly, the deep-well pump can be used for water supply and discharge in cities, factories, railways, mines and construction sites.

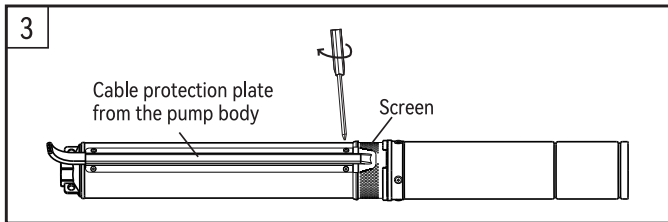
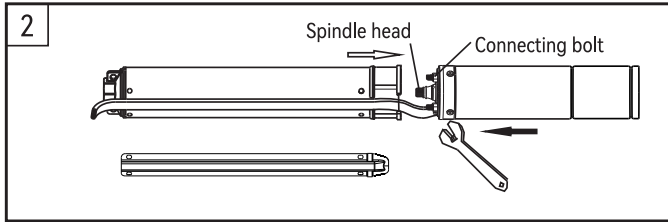
## USE CONDITION

- 2.1 Voltage fluctuating range shall be  $\pm 10\%$  of rated values;
- 2.2 The water temperature shall not be higher than  $+35^{\circ}\text{C}$ .
- 2.3 The PH value of water is between 6.5 and 8.5.
- 2.4 The solid contents in the water shall not be larger than 0.25% with the maximum diameter not over 2.3mm.

## INSTALLATION USE AND NOTICE

- 3.1 Please check whether the inner diameter conforms to the minimum diameter of water pumps before buying and installing. If it is a new well, the air compressor or old water pump shall be used to clean sundries and soils. After that, please check whether the water quality and temperature conform to use conditions. The water pump can only be installed onto the water inside the well up to standard.
  - 3.2 Please check damage that may be caused in the transportation and storage process after unpacking the pump. For example, whether the cable and plug etc are intact; various joints are not loosened and without any leakage. If there has any damage, please contact with professional personnel to repair or replace it.
  - 3.3 During installation, please fix the electric pump and then install the earth leakage protective device or the over-heat or over-current protective device correctly. The electric pump must be connected to ground reliably.
  - 3.4 When the water pump reaches a certain length, the motor and the pump body need to be packed separately.
- In case of a separate packing, firstly remove the filter screen and the cable protection plate from the pump body (Figure1), then place the pump body on the motor to make the spindle head of the rotor smoothly slide into the coupling, manually rotate the coupling to check if it can run normally, then screw up the connecting bolt (Figure2), and finally install the filter screen and the cable protection plate (Figure3).





3.5 Before use, thoroughly test the insulation resistance of the electronic pump's stator winding (including outgoing cable) to the pump casing with a 500V megohmmeter, and the cold insulation resistance should be no less than 100 MΩ.

3.6 The electric pump shall be connected to the power source for trial operation before entering into water. The time shall not exceed 3 seconds. The cable lines of single-phase water pump shall be connected according to the wiring diagram on the electric machine or control cabinet strictly connected by correct colors. The wrong wiring will cause abnormal works or even damage the electric machine; three-phase water pump can be connected without differentiating cable colors.

3.7 A power line can be added with rather distant power supply. Please select proper cable lines according to table to avoid the cable too thin to be abnormal operation.

**220-240V~ 50/60Hz**

Single Phase Motor kW	Cable Length/Cross-sectional Area Of Conductor( mm <sup>2</sup> )					
	0-15m	16-30m	31-45m	46-60m	61-75m	76-90m
0.25	0.75	0.75	0.75	0.75	1.0	1.25
0.37	0.75	0.75	0.75	1.0	1.25	1.25
0.55	0.75	0.75	1.0	1.25	1.25	1.5
0.75	0.75	1.0	1.25	1.25	1.5	1.5
0.92	1.0	1.25	1.25	1.5	1.5	2.0
1.1	1.0	1.25	1.5	1.5	2.0	2.0
1.5	1.25	1.5	2.0	2.0	2.5	2.5
1.8	1.5	2.0	2.0	2.5	2.5	3.0
2.2	1.5	2.0	2.5	2.5	3.0	4.0
2.6	2.0	2.5	2.5	3.0	4.0	4.0
3.0	2.0	2.5	3.0	4.0	4.0	5.0

**115V~ 60Hz**

Single Phase Motor kW	Cable Length/Cross-sectional Area Of Conductor( mm <sup>2</sup> )					
	0-15m	16-30m	31-45m	46-60m	61-80m	81-100m
0.18	0.6	0.75	1.0	1.25	1.5	2.0
0.25	0.75	1.0	1.25	1.5	2.0	2.5
0.37	1.0	1.25	1.5	2.0	2.5	3.0
0.55	1.0	1.5	2.0	2.5	3.0	4.0
0.75	1.25	2.0	2.5	4.0	5.0	6.0
1.1	1.5	2.5	4.0	5.0	6.0	8.0
1.5	2.5	4.0	5.0	6.0	8.0	/

To choose the required cutting area of cable according to the power of pump and length of external cable to ensure the normal operation of motor.

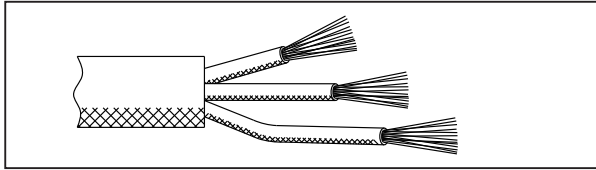


**It is necessary for users to choose the cable diameter thicker than the leading cables when extending the leading cables. The specific cable diameter is detailed in the manual.**

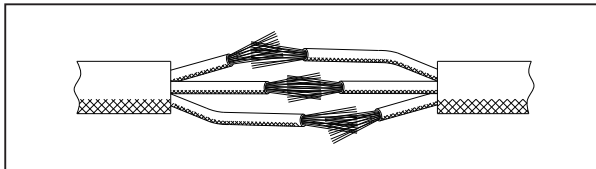


3.8 Please operate as below instructions for adding cable lines:

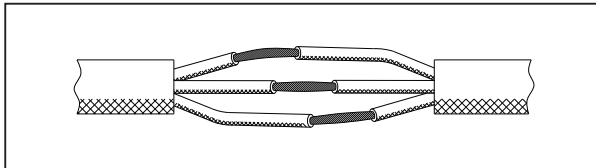
3.8.1 Strip a 50-60mm cable with a wire stripper, then strip the rubber hose to reveal a 20-30mm copper wire.



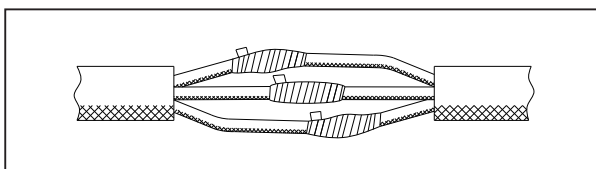
3.8.2 Tighten two cable lines with the same color into spiral shape so as to guarantee close connection;



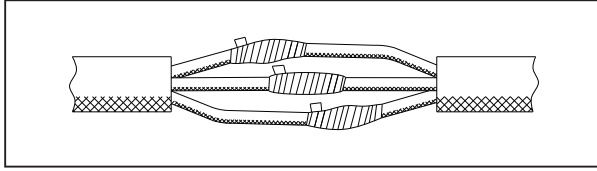
3.8.3 Tightly wind and cover the cable with the electrical insulating tape from the 15-20mm core cord.



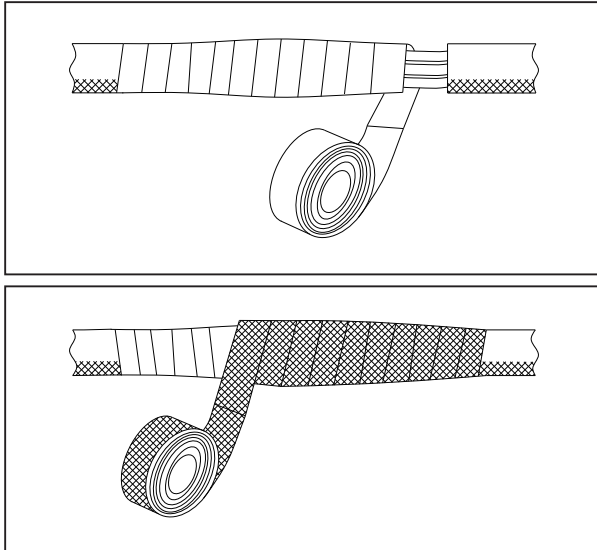
3.8.4 Wrap the cable that is covered with the electrical insulating tape with a waterproof adhesive tape from the 20-30mm core cord. The waterproof adhesive tape should be 10mm longer than the electrical insulating tape at both ends. Before the wrapping, the waterproof tape should be stretched out 1-fold its length and follow the normal use.



3.8.5 Wrap the cable that is wrapped with the waterproof adhesive tape with the electrical insulating tape.



3.8.6 Wrap the cable that is wrapped with the electrical insulating tape with the waterproof adhesive tape. The waterproof adhesive tape should be 10mm longer than the electrical insulating tape at both ends. Before the wrapping, the water proof tape should be stretched out 1-fold its length and follow the normal use.



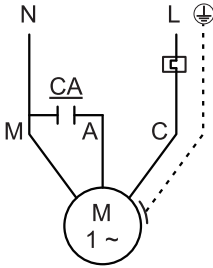
3.8.7 Immerge the junction of the cable into water for 12 hours. Test the insulation resistance of the cable with a 500V megohmmeter. The cold insulation resistance should be no less than 50 M $\Omega$

3.9 The delivery pipe shall be matched to the water outlet ( the specification shall be selected based on the performance parameter table ). For example, the iron wire or clamp can be used to connect with soft delivery pipes; the screwed joint can be used for steel delivery pipes for further reliable connection. Further, the threading ropes are used at the handle in case that the rope floats in the water. The tied ropes of hoisting electric pump must be firm and durable. The cable lines shall not be stretched but in a natural loose state.

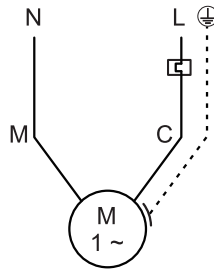
- 3.10 The cables are not allowed for impact and crushing or used as lifting ropes. Further, do not pull the cables randomly at operation so as to avoid electric shock caused by cable damage.
- 3.11 The depth of electric pump in the water shall not be over 80m but 3m above the bottom. Further, the electric pump shall not be sunk into soils. Meanwhile, the user shall prevent sundries to block nets or impellers, because it will lead to abnormal works. Please check the water level during works to avoid exposed or dry works, or else it will burn the electrical machine and other parts.
- 3.12 During usage, washing, swimming or animals are not allowed within working regions. The safety warning label “ electric shock risk, no entry ” shall be set up on the site to prevent accidents.
- 3.13 The oil-filled electrical machine has been filled with appropriate food machine oil at the time of ex-factory. The users are not allowed to fill in any water or oil into the electrical machine (except for maintenance).
- 3.14 The oil-filled electrical machine is filled with food machine oil that may be leaked when it is damaged or break down. Under the use applications such as planting, cultivation or the transportation and processing of drinking water and food, etc, the leaked food machine oil may cause certain damage to plants and cultured animals or pollute drinking water or food. The user shall evaluate the use environment as well as related consequence before selecting this product so as to confirm its proper use. If necessary, please invite some related professional personnel. If there has food machine oil leakage, please stop using and deal with it properly.
- 3.15 The power source shall be cut off at the time of adjusting position or contacting with electric pumps in case of any accidents. The electric pump shall not be lifted away from water surface before shunting down power source so as to guarantee safety.
- 3.16 The electric pump belongs to specialized technology-based product. The unqualified repairman shall not conduct any randomly disassemble. The sealing and insulation testing must be conducted after laid-up and reassembly.
- 3.17 The maintenance shall be conducted on electric pumps after 3,000 hours normal operation. The maintenance shall be conducted on electric pumps after 3,000 hours normal operation. Various easily damaged parts such as mechanical seal, bearing, impeller, and so on must be replaced. The air pressure test must be conducted on motor and oil chambers after laid-up or changing mechanical seal. The test pressure is 0.4 Mpa. There shall be no leakage within five minutes.
- 3.18 The pump shall not be sunk into water for long-term nonuse. Instead, the pump shall be put in the clear water for several minutes of operation so as to clean mud and other dirties inside and outside of the pump. Further, the anti-rust oil shall be coated on the pump, then it shall be put in a dry and ventilated place. The electric pump with rather long-term use shall be repainted or treated by anti-rust oil according to its surface corrosion status.

# WIRING DIAGRAM

Single phase with capacitor connection demonstration



Single phase with built-in capacitor connection demonstration



## TECHNICAL DATA

Model	Voltage	Output Power	Max.flow	Max.head	Power cord length	Outlet size	Pump diameter
3SDM2/21	230V/50Hz	0.55kW	50L/min	89m	20m	1"	82mm
3SDM4/16	230V/50Hz	0.75kW	100L/min	66m	20m	1.25"	82mm
3.5SDM4/11	230V/50Hz	0.75kW	105L/min	62m	20m	1.25"	95mm
4SDM4/6	230V/50Hz	0.37kW	110L/min	44m	20m	1.25"	102mm
4SDM8/9	230V/50Hz	1.1kW	190L/min	57m	20m	2"	102mm

Model	Voltage	Output Power	Max.flow	Max.head	Power cord length	Outlet size	Pump diameter
4SSM4/5-1	115V/60Hz	0.37kW	105L/min	51m	10m	1.25"	102mm
4SSM4/5-2	230V/60Hz						
4SSM5/6-1	115V/60Hz	0.75kW	140L/min	63m	10m	1.25"	102mm
4SSM5/6-2	230V/60Hz						
4SSM5/8-1	115V/60Hz	1.1kW	140L/min	84m	10m	1.25"	102mm
4SSM5/8-2	230V/60Hz						
4SSM5/12-2	230V/60Hz	1.5kW	140L/min	130m	10m	1.25"	102mm
4SSM5/18-2	230V/60Hz	2.2kW	140L/min	195m	10m	1.25"	102mm

## TECHNICAL DATA

Model	Voltage	Output Power	Max.flow	Max.head	Power cord length	Outlet size	Pump diameter
4SDM3/7	230V/50Hz	370 W	5.3 m <sup>3</sup> /h	50m	9m	1.25"	102mm
4SDM4/10	230V/50Hz	750W	7.1m <sup>3</sup> /h	75m	9m	1.25"	102mm
4SDM4/14	230V/50Hz	1100W	7.1m <sup>3</sup> /h	105m	19m	1.25"	102mm
4SDM6/15	230V/50Hz	1500W	9.8m <sup>3</sup> /h	108m	9m	1.5"	102mm
4SDM6/20	230V/50Hz	2200W	9.8m <sup>3</sup> /h	144m	9m	1.5"	102mm

### Note:

- 1.The maximum liquid temperature should be 35°C.
- 2.The maximum head value is the value of the laboratory test in the zero flow state. In the actual use process, the actual data will be slightly different due to the impact of the environment.

## FAILURE REASONS AND TROUBLESHOOTING METHOD

Fault phenomenon	Reasons	Solutions
Motor: out of operation	<ol style="list-style-type: none"> <li>1. Too much low voltage leads to failed start-up;</li> <li>2. Stuck impeller or stator and rotor;</li> <li>3. Power off</li> <li>4. The welding lines of capacitor and protector fall off or to be burnt;</li> <li>5. Burnt stator winding or open circuit.</li> </ol>	<ol style="list-style-type: none"> <li>1. Use a voltage regulator for further adjustment;</li> <li>2. Take off the water inlet valve to clean stoppers of impellers as well as silt of sand-proof cover;</li> <li>3. Check causes and then take the corresponding measures;</li> <li>4. Re-weld falling wires or change damaged parts;</li> <li>5. Send to maintenance unit to replace or repair windings.</li> </ol>
No water or no enough water amount	<ol style="list-style-type: none"> <li>1. Too much low voltage leads to no enough rotation or reduced water amount;</li> <li>2. Too high lift that has exceeded electric pump's lift capacity;</li> <li>3. The strainer or impeller is blocked</li> <li>4. Serious wear of impellers;</li> <li>5. Open circuit of stator winding.</li> </ol>	<ol style="list-style-type: none"> <li>1. Adjust voltage;</li> <li>2. Decrease lift or buy another electric pump according to practical situation;</li> <li>3. Clean blocked sundries;</li> <li>4. Change impeller or send it to maintenance unit;</li> <li>5. Send it to maintenance unit for further repair.</li> </ol>
Frequently worked protectors	<ol style="list-style-type: none"> <li>1. Too much low voltage leads to increased current and serious motor heating;</li> <li>2. Too much low lift leads to increased water drainage and serious motor overload;</li> <li>3. Abnormal wear of rotors or parts;</li> <li>4. The electric pump is exposed above water or operated in a dry environment;</li> <li>5. Damaged sealing; water inflow of machine winding;</li> <li>6. Serious bearing wear (loudly noise) and increased friction force.</li> </ol>	<ol style="list-style-type: none"> <li>1. Adjust voltage;</li> <li>2. Use iron wire to narrow water outlet so as to reduce outflow;</li> <li>3. Adjust or replace parts;</li> <li>4. Reduce installation height;</li> <li>5. Replace sealing element and dry the electric machine;</li> <li>6. Replace bearing.</li> </ol>



**Disposal:** This product is subject to the provision of european Directive 2012/19/EC. The symbol showing a wheelie bin crossed through indicates that the product requires separate refuse collection in the European Union. This applies to the product and all accessories marked with this symbol. Products marked as such may not be discarded with normal domestic waste, but must be taken to acollection point for recycling electrical and electronic devices.

**VEVOR<sup>®</sup>**

**TOUGH TOOLS, HALF PRICE**

**Technical Support and E-Warranty**

**Certificate [www.vevor.com/support](http://www.vevor.com/support)**



# VEVOR®

TOUGH TOOLS, HALF PRICE

Support technique et Certificat de garantie  
électronique  
[www.vevor.com/support](http://www.vevor.com/support)

## SUBMERSIBLE PUMP FOR DEEP-WELL OPERATION MANUAL

Nous continuons à nous engager à fournir toi outils avec compétitif prix.  
"Sauvegarder Moitié", "Moitié Prix" ou toute autre expression similaire  
utilisé par nous seulement  
représente une estimation des économies que vous pourriez bénéficier de  
acheter certains outils  
avec nous par rapport à la haut majeure marques et fait pas nécessairement  
signifie  
couvrir toutes les catégories d'outils proposés par nous.  
Tu es gentiment rappelez-vous de vérifier attentivement lorsque vous  
placez un commande  
avec nous si vous économisez réellement la moitié dans comparaison  
avec le haut majeure  
marques.



# SUBMERSIBLE PUMP FOR DEEP-WELL



**NEED HELP?CONTACT US!**

**Avoir Des questions sur les produits ? Besoin d'assistance technique ? N'hésitez pas à nous contacter nous :**

**Support technique et Certificat de garantie  
électronique  
[www.vevor.com/support](http://www.vevor.com/support)**

Ce est le original instructions, s'il vous plaît lire tous manuel instructions soigneusement avant en fonctionnement.

VEVOR se réserve une interprétation claire de notre manuel d'utilisation. apparence de le produit devoir être

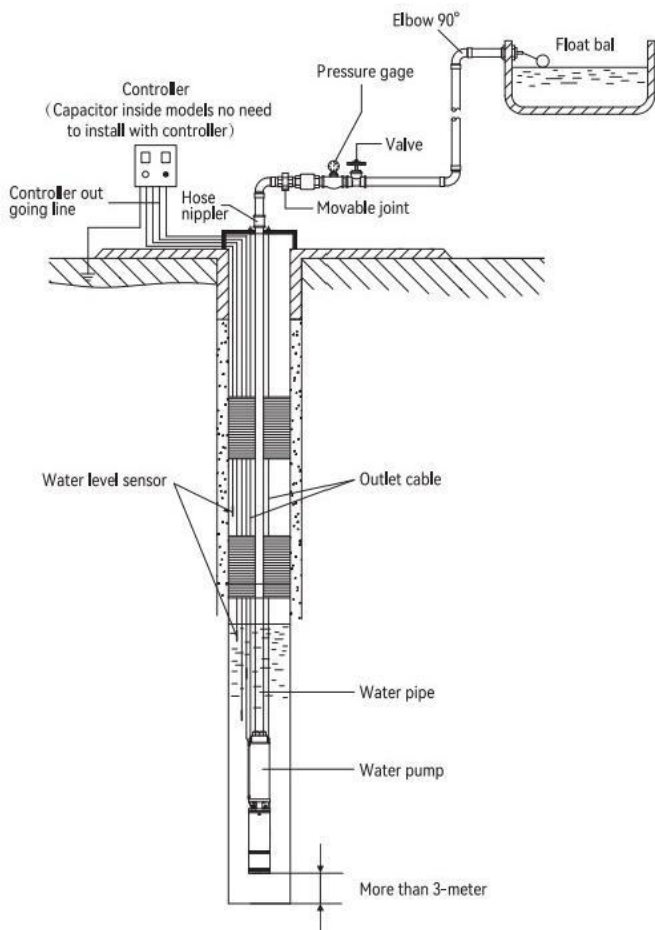
sujet à le produit toi reçu. S'il vous plaît pardonner nous que nous ne le fera pas informer toi encore si là est

toute technologie ou logiciel Mises à jour sur notre produit.

**Merci d'avoir acheté nos pompes à eau.**  
**S'il te plaît lisez attentivement le manuel d'utilisation avant en utilisant.**

## AWARNING

- Le fiable mise à la terre doit être mené avant en utilisant eau pompe. La Terre fuite protecteur appareil comme Bien comme le surcharge ou surintensité protecteur appareil doit être installé sur l'eau pompe
- La pompe électrique n'est pas autorisée à fonctionner à sec
- Quand la pompe est dans opération, personnes et animaux devoir pas touche le eau près le pompe.
- Dans commande à prévenir électrique choc, le pouvoir source devoir être fermer désactivé à entretien et nettoyage
- Remplacement pouvoir cordon, type Y connexion-Si le pouvoir corde est endommagé, il doit être rep lacé avec un spécial flexible corde ora spécial composant acheté depuis c'est fabricant ou entretien département.



La structure d'installation ci-dessus est pour r eference seulement.Veuillez achat le correspondant parties montré dans la figurepar  
toi-même.

## INTRODUCTION

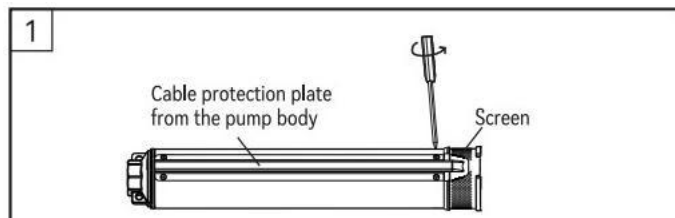
Le puits profond pompe une eau outil de levage basé sur direct connexion entre électrique machine et de l'eau pompe, qui est approprié pour aller chercher souterrain eau depuis profond puits, rivières, réservoirs et canaux etc. dans certains projets. En outre, cela produit est principalement utilisé pour terres agricoles irrigation comme Bien comme humain et animal boire eau dans plateau montagne zones. Plus ce qui est important, le puits profond pompe peut être utilisé pour l'eau fournir et décharge dans villes, usines, chemins de fer, mines et construction sites

## USE CONDITION

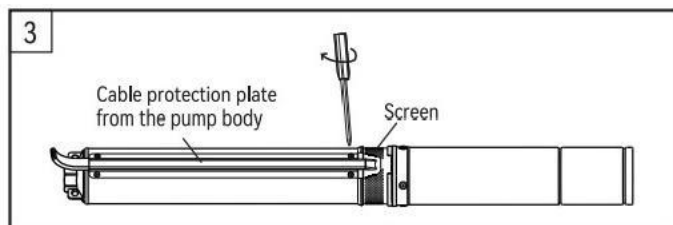
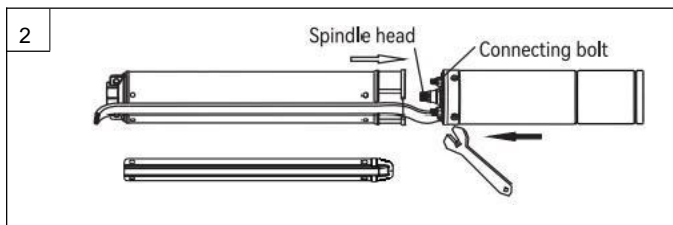
- 2.1 Tension fluctuant gamme devoir être  $\pm 10\%$  de noté valeurs
- 2.2 La température de l'eau ne doit pas être supérieur à  $+35\text{ }^{\circ}\text{C}$ .
- 2.3 La valeur du pH de l'eau est comprise entre 6.5 et 8.5.
- 2.4 Le contenu solide dans l'eau doit pas être plus grand que 0,25% avec le maximum diamètre pas sur 2,3 mm.

## INSTALLATION USE AND NOTICE

- 3.1 Veuillez vérifier si le diamètre intérieur est conforme à la diamètre minimum de l'eau pompes avant achat et installation. Si il est un nouveau bien, le air compresseur ou eau usée pompe devoir être utilisé à faire le ménage articles divers et sols. Après cela, s'il vous plaît vérifier si le eau qualité et température se conformer à utiliser conditions. L'eau pompe peut seulement être installé sur l'eau à l'intérieur le puits en haut à standard.
- 3.2 Veuillez vérifier les dommages qui peut être causé dans le transport et stockage processus après déballage le pompe. Pour exemple, que ce soit le câble et prise etc. sont intact; diverses articulations sont pas desserré et sans n'importe lequel âge de fuite. S'il y a a n'importe lequel dommage, s'il vous plaît contacter avec professionnel personnel à réparation ou remplacer il
- 3.3 Pendant installation, veuillez réparer le électrique pompe et puis installer le Terre fuite dispositif de protection ou le sur-entendre ou surintensité protecteur appareil correctement. Le électrique pompe doit être connecté à sol de manière fiable.
- 3.4 Quand l'eau pompe atteint un certain longueur, la moteur et le pompe corps besoin à être emballé séparément
- Dans cas d'un séparé emballage, tout d'abord retirer le filtre écran et le câble protection plaque depuis le pompe corps (Figure 1), puis placer le pompe corps sur le moteur à faire le broche tête de la rotor doucement glisser dans le couplage, manuellement tourner le couplage à vérifier si peut courir normalement, alors vis en haut le de liaison boulon (Figure 2), et enfin installer le filtre écran et le câble protection plaque (Figure 3).







3.5 Avant utiliser, tester soigneusement le isolation résistance de la électronique pompes enroulement du stator (y compris sortant câble)à le pompe enveloppe avec un 500 V mégohmmètre, et le froid en isolation la résistance devrait être Non moins que 100 Q.

3.6 L'électricité la pompe doit être connecté à le pouvoir source pour procès opération avant entrer dans l'eau. Le temps sera ne pas dépasser 3 secondes . câble lignes d'eau monophasée pompe devoir être connecté selon le câblage diagramme sur le électrique machine ou contrôle armoire strictement connecté par des couleurs correctes. Un mauvais câblage entraînera travaux anormaux ou même dommage le électrique machine; triphasé eau pompe peut être connecté sans différencier câble couleurs

3.7 Une ligne électrique peut être ajouté avec plutôt éloigné pouvoir approvisionnement. S'il vous plaît sélectionner approprié câble lignes selon à tableau à éviter le câble aussi mince à être anormal opération .

## 220-240 V~ 50/60 Hz

Célibataire Phase Moteur	Longueur du câble/section transversale du conducteur (mm <sup>2</sup> )					
	0-15 m	16-30m	31-45m	46-60 m	61-75m	76-90 m
kW						
0,25	0,75	0,75	0,75	0,75	1.0	1,25
0,37	0,75	0,75	0,75	1.0	1,25	1,25
0,55	0,75	0,75	1.0	1,25	1,25	1,5
0,75	0,75	1.0	1,25	1,25	1,5	1,5
0,92	1.0	1,25	1,25	1,5	1,5	2.0
1.1	1.0	1,25	1,5	1,5	2.0	2.0
1,5	1,25	1,5	2.0	2.0	2.5	2.5
1.8	1,5	2.0	2.0	2.5	2.5	3.0
2.2	1,5	2.0	2.5	2.5	3.0	4.0
2.6	2.0	2.5	2.5	3.0	4.0	4.0
3.0	2.0	2.5	3.0	4.0	4.0	5.0

## 115 V ~ 60 Hz

Célibataire Phase Moteur	Longueur du câble/Section transversale du conducteur (mm <sup>2</sup> )					
	0-15 m	16-30m	31-45m	46-60 m	61-80 m	81-100 m
kW						
0,18	0,6	0,75	1.0	1,25	1,5	2.0
0,25	0,75	1.0	1,25	1,5	2.0	2.5
0,37	1.0	1,25	1,5	2.0	2.5	3.0
0,55	1.0	1,5	2.0	2.5	3.0	4.0
0,75	1,25	2.0	2.5	4.0	5.0	6.0
1.1	1,5	2.5	4.0	5.0	6.0	8.0
1,5	2.5	4.0	5.0	6.0	8.0	/

Pour choisir la zone de coupe de câble requise selon à le pouvoir de pompe et la longueur du câble externe pour assurer la normale opération de moteur.

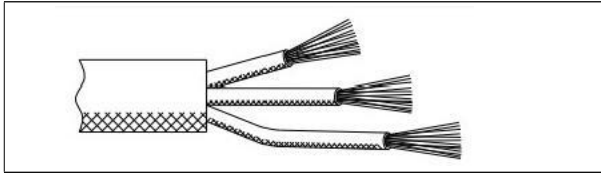


**PRUDENCE**

Il est nécessaire pour utilisateurs à choisir le câble diamètre plus épais que les câbles principaux lors de l'extension des câbles principaux câbles . Le spécifique câble diamètre est détaillé dans le manuel .

3.8 Veuillez suivre les instructions ci-dessous pour ajout câble lignes:

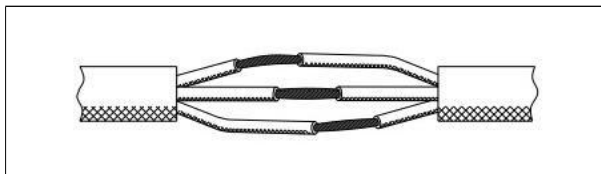
3.8.1 Dénudez un câble de 50 à 60 mm avec un fil strip-teaseuse, alors bande le caoutchouc tuyau à révéler un 20-30 mm fil de cuivre



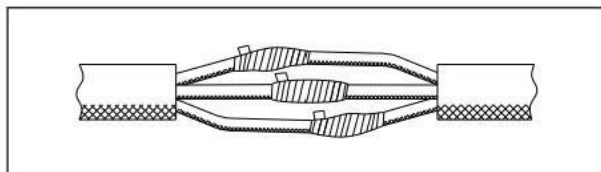
3.8.2 Tendez deux lignes de câbles de la même couleur dans spirale forme donc comme à garantie fermer connexion ;



3.8.3 Enroulez et recouvrez hermétiquement le câble avec le électrique isolant ruban adhésif depuis le 15-20 mm cœur corde.



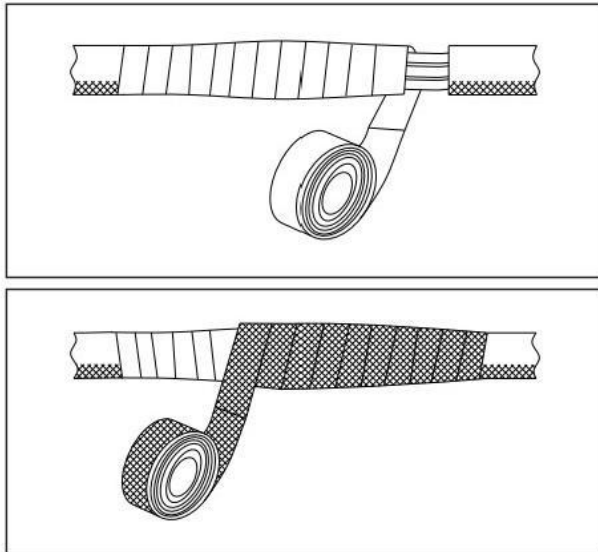
3.8.4 Enroulez le câble qui est couvert avec le électrique isolant ruban adhésif avec un étanche adhésif ruban adhésif du cordon central de 20 à 30 mm. Le cordon étanche adhésif ruban adhésif devrait être 10 mm plus long que le électrique isolant ruban adhésif à les deux se termine. Avant le emballage, le ruban adhésif imperméable devrait être étiré dehors 1 fois c'est longueur et suivre le normale utiliser



3.8.5 Enroulez le câble qui est enveloppé avec le ruban adhésif étanche avec le câble électrique isolant ruban adhésif.



3.8.6 Envelopper câble que est enveloppé avec le électrique isolant ruban adhésif avec le ruban adhésif imperméable. Le ruban adhésif imperméable doit être 10 mm plus long que le câble électrique isolant ruban adhésif aux deux extrémités. Avant l'emballage, l'eau la bande de preuve devrait être étiré 1 fois son longueur et suivre l'utilisation normale.



3.8.7 Immersion le jonction de le câble dans eau pendant 12 heures. Testez la résistance d'isolement de le câble avec un 500 V mégohmmètre. Le froid isolation résistance devrait être Non moins que 50 MQ

3.9 Le le tuyau de distribution doit être adapté à le eau sortie (la spécification doivent être sélectionnés en fonction du tableau des paramètres de performance). Par exemple, le fil de fer ou serrer peut être utilisé à se connecter avec soft tuyaux de refoulement; les vissés le joint peut être utilisé pour acier tuyaux de distribution pour plus fiable

connexion. De plus, les cordes de filetage sont utilisées au niveau de la poignée dans cas où le flotteurs de corde dans le eau. Les câbles attachés de la pompe électrique de levage doivent être solides et durables. câble lignes devoir pas être étiré mais dans un naturel lâche État.

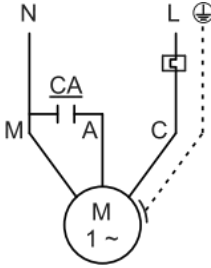
- 3.10 Les câbles ne sont pas autorisés pour impact et écrasement ou utilisés comme levage de cordes. En outre, faites pas tirer les câbles au hasard lors du fonctionnement afin d'éviter un choc électrique causé par un câble endommagé.
- 3.11 La profondeur de l'électricité pompe dans l'eau ne doit pas être supérieure à 80 m mais 3 m au-dessus de la surface. L'électricité pompe ne doit pas être coulé dans le sol. Pendant ce temps, l'utilisateur doit prévenir les articles divers à bloc filets ou roues à aubes, parce que ça va aller à anormal fonctionne. S'il vous plaît vérifier le niveau de l'eau pendant les travaux à éviter d'être exposé ou les travaux à sec, ou autre ce sera brûler l'électricité machine et autres parties.
- 3.12 Pendant utilisation, lavage, natation ou animaux ne sont pas autorisés dans les zones de sécurité. Le signal d'avertissement étiquette « électrique » choc risque, non entrée » doit être ensemble en haut sur le site à prévenir les accidents.
- 3.13 Le remplissage d'huile électrique machine a été déposé auprès de la nourriture appropriée machine huiler à temps de l'usine. Les utilisateurs ne sont pas autorisés à verser dans n'importe quelle eau ou huile dans l'électricité machine (sauf pour l'entretien).
- 3.14 Le circuit électrique rempli d'huile machine est rempli de nourriture machine huiler qui peut être fuit quand il est endommagé ou panne. Sous l'utiliser des applications telles que la plantation, la culture ou le transport et traitement de l'eau potable et la nourriture, etc., la fuite de nourriture machine huiler peut causer certains dommages aux plantes et aux animaux ou polluer l'eau ou de la nourriture. L'utilisateur doit évaluer l'environnement aussi comme en rapport conséquence avant de sélectionner ce produit donc confirmer c'est approprié utiliser. Si nécessaire, s'il vous plaît inviter quelques professionnels en rapport personnel. S'il y a de la nourriture machine huiler fuite, s'il vous plaît arrêter en utilisant et d'accord avec le correctement.
- 3.15 La source d'alimentation doit être coupée à temps de réglage position ou contacter avec l'électricité pompes en cas d'accident. L'électricité pompe ne doit pas être levé loin de la surface de l'eau avant de descendre donc source donc comme à garantir la sécurité.
- 3.16 L'électricité pompe appartient à un spécialiste basé sur la technologie produit. Le réparateur ne doit pas effectuer de démontage au hasard. L'étanchéité et le test d'isolation doit être mené après avoir été mis au repos et remontage.
- 3.17 L'entretien doit être effectué sur les circuits électriques pompes après 3 000 heures normale opération. L'entretien doit être conduit sur l'électricité pompes après 3 000 heures normale opération. Diverses pièces facilement endommagées telles que les pièces mécaniques joint, roulement, turbine et donc sur doit être remplacé. Le test de pression doit être mené sur le moteur et les chambres après mis au repos ou changement mécanique. Le test de pression est 0,4 Mpa. Il n'y aura pas de fuite dans les cinq minutes.
- 3.18 La pompe ne doit pas être coulé dans l'eau pour une longue période de non-utilisation. Au lieu de cela, la pompe doit être mise dans l'eau claire pour plusieurs minutes de fonctionnement afin de faire le ménage boue et autres saletés à l'intérieur et dehors de la pompe. En outre, l'huile

devoir être recouvert sur le pompe, alors il devoir être mettre dans un sec et ventilé lieu. Le électrique pompe avec plutôt à long terme utiliser devoir être repeint ou traité par antirouille huile selon c'est surface corrosion statut.

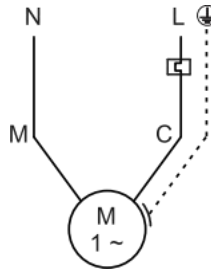


# WIRING DIAGRAM

Single phase with capacitor connection demonstration



Single phase with built-in capacitor connection demonstration



## TECHNICAL DATA

Modèle	Tension	Sortir Pouvoir	Max.flow	Hauteur max.	Cordon d'alimentation longueur	Sortie taille	Pompe diamètre
3SDM2/21	230 V/50 Hz	0,55 kW	50L/min	89 m	20 m	1"	82 mm
3SDM4/16	230 V/50 Hz	0,75 kW	100 L/min	66 m	20 m	1,25"	82 mm
3.5SDM4/11	230 V/50 Hz	0,75 kW	105 L/min	62 m	20 m	1,25"	95 mm
4SDM4/6	230 V/50 Hz	0,37 kW	110 L/min	44 m	20 m	1,25"	102 mm
4SDM8/9	230 V/50 Hz	1,1 kW	190L/min	57 m	20 m	2"	102 mm

Modèle	Tension	Sortir Pouvoir	Max.flow	Hauteur max.	Cordon d'alimentation longueur	Sortie taille	Pompe diamètre
4SSM4/5-1	115 V/60 Hz	0,37 kW	105 L/min	51 m	10 m	1,25"	102 mm
4SSM4/5-2	230 V/60 Hz						
4SSM5/6-1	115 V/60 Hz	0,75 kW	140 L/min	63 m	10 m	1,25"	102 mm
4SSM5/6-2	230 V/60 Hz						
4SSM5/8-1	115 V/60 Hz	1,1 kW	140L/min	84 m	10 m	1,25"	102 mm
4SSM5/8-2	230 V/60 Hz						

4SSM5/12-2	230 V/60 Hz	1,5 kW	140L/min	130 m	10 m	1,25"	102 mm
4SSM5/18-2	230 V/60 Hz	2,2 kW	140L/min	195 m	10 m	1,25"	102 mm

## TECHNICAL DATA

Modèle	Tension	Sortir Pouvoir	Débit max.	Hauteur max.	Cordon d'alimentation longueur	Sortie taille	Pompe diamètre
4SDM3/7	230V / 50Hz	370 L	5,3 m <sup>3</sup> /h	50 m	9 m	1,25"	102 mm
4SDM4/10	230V / 50Hz	750 W	7,1 m <sup>3</sup> /h	75 m	9 m	1,25"	102 mm
4SDM4/14	230V / 50Hz	1100 W	7,1 m <sup>3</sup> /h	105 m	19m	1,25"	102 mm
4SDM6/15	230V / 50Hz	1500 W	9,8 m <sup>3</sup> /h	108 m	9 m	1,5"	102 mm
4SDM6/20	230V / 50Hz	2200 W	9,8 m <sup>3</sup> /h	144 m	9 m	1,5"	102 mm

### Note:

1. Le maximum la température du liquide doit être à 35°C .
2. Le maximum valeur de la tête est la valeur du test de laboratoire en le état de flux nul. Dans l'utilisation réelle processus, le réel dat une volonté être légèrement différent en raison de l'impact de la environnement.

# FAILURE REASONS AND TROUBLESHOOTING METHOD

Faute phénomène	Raisons	Solutions
Moteur: de opération	<ol style="list-style-type: none"> <li>1. Trop basse tension conduit to failed start-up;</li> <li>2. Impulseur ou stator bloqué et rotor;</li> <li>3. Éteindre</li> <li>4. Les lignes de soudure de condensateur et protecteur f tout off or to be burnt;</li> <li>5. Enroulement du stator brûlé ou ouvert circuit.</li> </ol>	<ol style="list-style-type: none"> <li>1. Use a voltage regulator for further ajustement;</li> <li>2. Décollage la vanne d'arrivée d'eau pour nettoyer bouchons de turbines ainsi que limon de couverture anti-sable;</li> <li>3. Vérifiez les causes et prenez ensuite les mesures nécessaires. mesures correspondantes;</li> <li>4. Ressouder les fils qui tombent ou les changer damaged parts;</li> <li>5. Envoyer à l'unité de maintenance pour remplacer ou réparer les enroulements.</li> </ol>
Pas d'eau ou Non assez eau montant	<ol style="list-style-type: none"> <li>1. Trop basse tension conduit pas assez rotation ou quantité d'eau réduite;</li> <li>2. Trop élevé soulève ça a dépassé la pompe électrique capacité de levage;</li> <li>3. La crépine ou la turbine est bloqué</li> <li>4. Usure importante des roues à aubes ;</li> <li>5. Circuit ouvert de l'enroulement du stator.</li> </ol>	<ol style="list-style-type: none"> <li>1. Régler la tension ;</li> <li>2. Diminuer la portance ou acheter un autre électrique pompe selon la situation pratique ;</li> <li>3. Nettoyer articles divers bloqués;</li> <li>4. Changer la turbine ou envoyer il à unité de maintenance;</li> <li>5. Envoyez-le en maintenance unité f ou further repair.</li> </ol>
Fréquemment travaillé protecteurs	<ol style="list-style-type: none"> <li>1. Trop basse tension conduit pour augmenter le courant et moteur sérieux chauffage;</li> <li>2. Trop faible ascenseur conduit à drainage d'eau accru et une surcharge motrice grave ;</li> <li>3. Usure anormale des rotors ou parts;</li> <li>4. La pompe électrique est exposé au-dessus de l'eau ou exploité dans un dry environment;</li> <li>5. Joint endommagé; eau inflow of machine winding;</li> <li>6. Usure grave des roulements ( forte bruit) et une force de frottement accrue.</li> </ol>	<ol style="list-style-type: none"> <li>1. Régler la tension ;</li> <li>2. Utilisez du fil de fer pour eau étroite outlet so as to reduce outflow;</li> <li>3. Adjust or replace parts;</li> <li>4. Réduire la hauteur d'installation ;</li> <li>5. Replace sealing element and dry la machine électrique;</li> <li>6. Remplacer palier.</li> </ol>



**Élimination** : Ce produit est soumis à la réglementation européenne Directive 2012/19/CE.

Le symbole représentant une poubelle à roulettes barrée indique que le produit exige une collecte séparée des déchets dans le Union européenne. Ceci s'applique à la produit et tous les accessoires marqués de ce symbole. Produits marqués comme tel peut ne pas être jeté avec les ordures ménagères normales, mais doit être amené à une collecte point de recyclage des appareils électriques et électroniques.

**VEVOR<sup>®</sup>**

OUTILS ROBUSTES, MOITIÉ PRIX

Support technique et Garantie E  
Certificat [www.vevor.com/support](http://www.vevor.com/support)

# VEVOR®

TOUGH TOOLS, HALF PRICE

Technischer Support und E-Garantie-Zertifikat  
[www.vevor.com/support](http://www.vevor.com/support)

## SUBMERSIBLE PUMP FOR DEEP-WELL OPERATION MANUAL

Wir sind weiterhin bestrebt, Du Werkzeuge mit wettbewerbsfähig Preis.  
"Speichern Halb", "Halber Preis" oder andere ähnliche Ausdrücke gebraucht  
von uns nur

stellt eine Schätzung der Einsparungen dar, die Sie profitieren von Kauf  
bestimmter Werkzeuge

mit uns im Vergleich zu den Hauptspitze Marken und tut nicht unbedingt meine  
decken alle angebotenen Werkzeugkategorien ab von uns.

Du bist freundlich Bitte überprüfen Sie sorgfältig, wenn Sie platzieren ein  
Befehl

mit uns wenn Sie tatsächlich die Hälfte sparen In Vergleich mit Die Spitze  
wesentlich

Marken.





# SUBMERSIBLE PUMP FOR DEEP-WELL



**NEED HELP?CONTACT US!**

**Haben Fragen zum Produkt? Benötigen Sie technische Unterstützung? Bitte zögern Sie nicht uns zu kontaktieren uns :**

**Technischer Support und E-Garantie-Zertifikat [www.vevor.com/support](http://www.vevor.com/support)**

Das Ist Die Original Anleitung, bitte lesen alle Handbuch Anweisungen sorgfältig vor in Betrieb. VEVOR behält sich die Auslegung unserer Bedienungsanleitung vor. Aussehen von Die Produkt soll Sei

Thema Zu Die Produkt Du erhalten. Bitte verzeihen uns Das Wir Gewohnheit informieren Du wieder Wenn Dort Ist

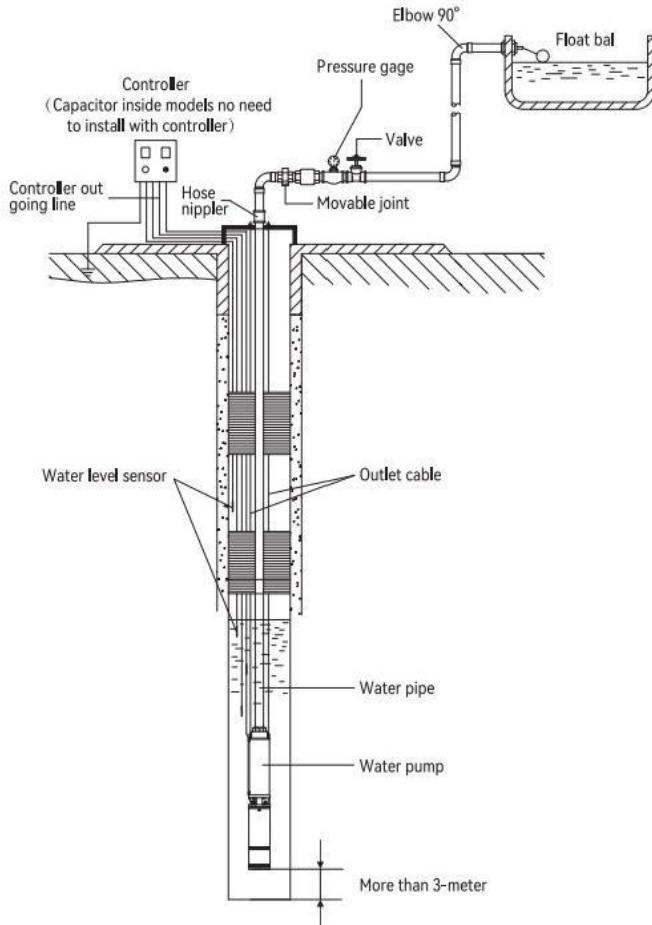
jede Technologie oder Software Aktualisierung An unser Produkt.



**Vielen Dank für den Kauf unserer Wasserpumpen.  
Bitte Lesen Sie die Bedienungsanleitung sorgfältig durch, bevor  
Sie verwenden.**

## AWARNING

- Der zuverlässig Erdung muss Sei durchgeführt vor mit Wasser Pumpe. Die Erde Leckage Schutz Gerät als Also als Die Überlast oder Überstrom Schutz Gerät muss Sei installiert auf dem Wasser Pumpe
- Die Elektropumpe darf nicht trocken laufen
- Wann die Pumpe Ist In Betrieb, Menschen Und Tiere soll nicht berühren Die Wasser nahe Die Pumpe.
- In Befehl Zu verhindern elektrisch Schock, der Leistung Quelle soll Sei schließen aus bei Wartung Und Reinigung
- Ersatz Leistung Kabel, Typ Y Verbindung- Wenn Die Leistung Kabel Ist beschädigt, es muss Sei Rep geschnürt mit A besonders flexibel Kabel jetzt besonders Komponente gekauft aus es ist Hersteller oder Wartung Abteilung.



Die obige Installationsstruktur ist für Nur als Referenz. Bitte kaufen Die passend Teile gezeigt In die Figurvon selbst.

## INTRODUCTION

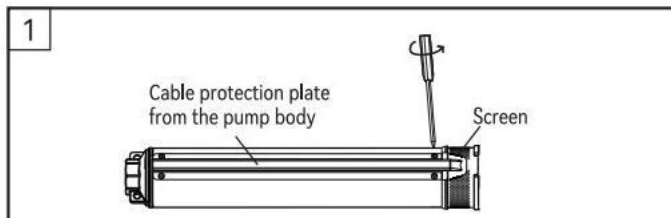
Der Tiefbrunnen Pumpen ein Wasser Hebewerkzeug basierend An direkt Verbindung zwischen elektrisch Maschine und Wasser Pumpe, die Ist geeignet für holen g Untergrund Wasser aus tief Brunnen, Flüsse, Stauseen Und Kanäle usw in einigen Projekte.Darüber hinaus Produkt ist hauptsächlich gebraucht für Ackerland Bewässerung als Also als menschlich Und Tier Trinken Wasser In Plateau Berg Bereiche.Mehr wichtig, die Tiefbrunnen Pumpe kann Sei gebraucht für Wasser liefern Und Entladung In Städte, Fabriken, Eisenbahnen, Minen Und Konstruktion Seiten

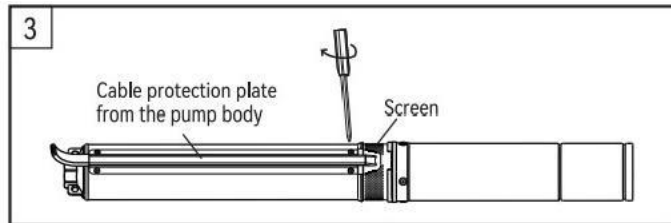
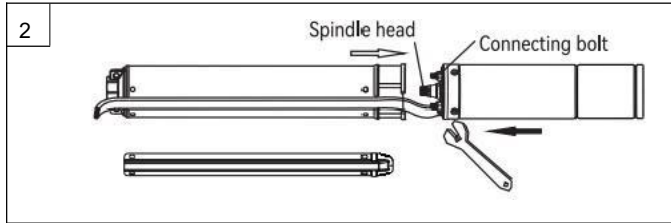
## USE CONDITION

- 2.1 Stromspannung schwankend Reichweite soll  $\pm 10\%$  von bewertet Werte
- 2.2 Die Wassertemperatur darf nicht höher als  $+35\text{ }^{\circ}\text{C}$ .
- 2.3 Die Der pH-Wert des Wassers liegt zwischen 6.5 Und 8 .5.
- 2.4 Der Feststoffgehalt im Wasser soll nicht Sei größer als 0,25 % mit Die maximal Durchmesser nicht über 2,3 mm.

## INSTALLATION USE AND NOTICE

- 3.1 Bitte prüfen Sie, ob der Innendurchmesser mit dem Mindestdurchmesser des Wassers Pumps vor Kauf Und installieren.Wenn Es Ist A neues Willkommen, das Luft Kompressor oder altes Wasser Pumpe soll Sei gebraucht  
Zu sauber Sonstiges Und Böden.Danach bitte überprüfen ob Die Wasser Qualität Und Temperatur entsprechen Zu verwenden Bedingungen.DasWasser Pumpe dürfen nur Sei installiert auf das Wasser innen  
der Brunnen hoch Zu Standard.
- 3.2 Bitte überprüfen Sie den Schaden, der kann verursacht werden im Transportwesen und Lagerung Verfahren nach  
Auspacken Die Pumpe.Für Beispielsweise, ob die Kabel Und Stecker usw Sind intakt;verschiedene Punkte Sind nicht gelockert und ohne beliebig Leakage.Wenn es hat beliebig Schaden, bitte Kontakt mit Professional Personal Zu reparieren oder ersetzen Es
- 3.3 Während Installation, bitte beheben Sie das elektrisch Pumpe und dann installieren Sie die Erde Leakage Schutzeinrichtung oder die Überhitzung oder Überstrom Schutz Gerät richtig.Die elektrisch Pumpe muss Sei verbunden Zu Boden zuverlässig.
- 3.4Wenn das Wasser Pumpe erreicht einen bestimmt Länge, die Motor und die Pumpe Körper brauchen Zu Sei verpackt separat
- In Fall eines separate Verpackung,erstens entfernen Die Filter Bildschirm Und Die Kabel Schutz Platte aus Die Pumpe Körper (Abbildung 1),dann Platzieren Sie Pumpe Körper An Die Motor Zu machen Die Spindel Kopf der Rotor glatt gleiten hinein Die Kupplung,manuell drehen Die Kupplung Zu überprüfen ifit dürfen laufen normalerweise, dann schrauben hoch Die Verbinden Bolzen(Abbildung 2) und endlich installieren Die Filter Bildschirm Und Die Kabel Schutz Platte (Abbildung 3).





3.5 Vor verwenden, gründlich testen die Isolierung Widerstand der elektronisch Pumps Statorwicklung (einschließlich ausgehend Kabel) zu Die Pumpe Gehäuse mit A 500 V Megaohmmeter und Die kalt in der Isolierung Widerstand sollte Sei NEIN weniger als 100 MQ.

3.6 Der elektrische Pumpe soll verbunden sein mit Die Leistung Quelle für Versuch Betrieb vor Eingabe ins Wasser. Die Zeit wird nicht länger als 3 Sekunden sein . Kabel Linien von einphasigem Wasser Pumpe soll verbunden sein nach der Verkabelung Diagramm auf der elektrisch Maschine oder Kontrolle Kabinett streng verbunden durch richtige Farben. Die falsche Verdrahtung führt dazu abnorme Werke oder sogar Schaden Die elektrisch Maschine; dreiphasig Wasser Pumpe dürfen Sei verbunden ohne Differenzierung Kabel Farben

3.7 Eine Stromleitung kann hinzugefügt mit eher distanziert Leistung Versorgung. Bitte wählen richtig Kabel Linien nach Zu Tisch Zu vermeiden Die Kabel zu dünn Zu Sei abnormal Betrieb .

## 220-240 V~ 50/60 Hz

Einzel Phase Motor kW	Kabellänge/Leiterquerschnitt (mm <sup>2</sup> )					
	0-15 m	16-30 Min.	31-45 Min.	46-60 m	61-75 m	76-90 m
0,25	0,75	0,75	0,75	0,75	1,0	1,25
0,37	0,75	0,75	0,75	1,0	1,25	1,25
0,55	0,75	0,75	1,0	1,25	1,25	1,5
0,75	0,75	1,0	1,25	1,25	1,5	1,5
0,92	1,0	1,25	1,25	1,5	1,5	2,0
1,1	1,0	1,25	1,5	1,5	2,0	2,0
1,5	1,25	1,5	2,0	2,0	2,5	2,5
1,8	1,5	2,0	2,0	2,5	2,5	3,0
2,2	1,5	2,0	2,5	2,5	3,0	4,0
2,6	2,0	2,5	2,5	3,0	4,0	4,0
3,0	2,0	2,5	3,0	4,0	4,0	5,0

## 115 V ~ 60 Hz

Einzel Phase Motor kW	Kabellänge/Leiterquerschnitt (mm <sup>2</sup> )					
	0-15 m	16-30 Min.	31-45 Min.	46-60 m	61-80 m	81-100 m
0,18	0,6	0,75	1,0	1,25	1,5	2,0
0,25	0,75	1,0	1,25	1,5	2,0	2,5
0,37	1,0	1,25	1,5	2,0	2,5	3,0
0,55	1,0	1,5	2,0	2,5	3,0	4,0
0,75	1,25	2,0	2,5	4,0	5,0	6,0
1,1	1,5	2,5	4,0	5,0	6,0	8,0
1,5	2,5	4,0	5,0	6,0	8,0	/

Um den erforderlichen Schnitt zu wählen, ein rea von Kabel nach Zu Die Leistung von Pumpe  
und Länge des externen Kabels, um die Normal Betrieb von Motor.

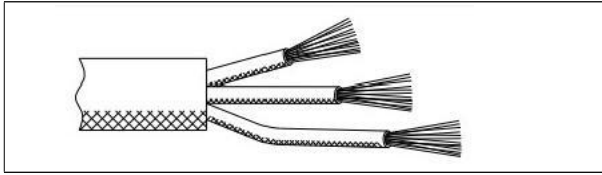


Es Ist notwendig für Benutzer Zu wählen Die Kabel Durchmesser dicker als die Leitkabel bei Verlängerung der Leitkabel Kabel . Die spezifisch Kabel Durchmesser Ist ausführlich In Die Handbuch .



3.8 Gehen Sie wie folgt vor, um hinzuzufügen Kabel Zeilen:

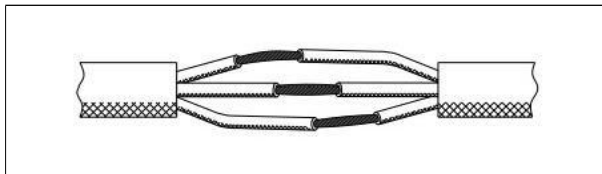
3.8.1 Isolieren Sie ein 50-60 mm langes Kabel mit einer Draht Stripperin, dann streifen Sie die Gummischlauch ab und decken Sie 20-30 mm Kupferdraht



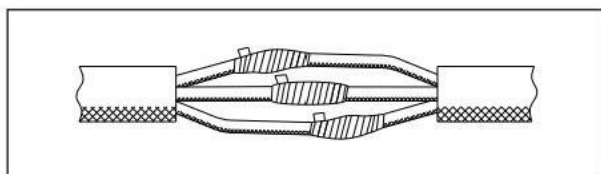
3.8.2 Zwei Kabelstränge mit gleicher Farbe festziehen hinein Spiral- Form Also als Zu Garantie schließen Verbindung ;



3.8.3 Kabel fest aufwickeln und abdecken mit Die elektrisch isolierend Band aus Die 15-20 mm Kern Kabel.



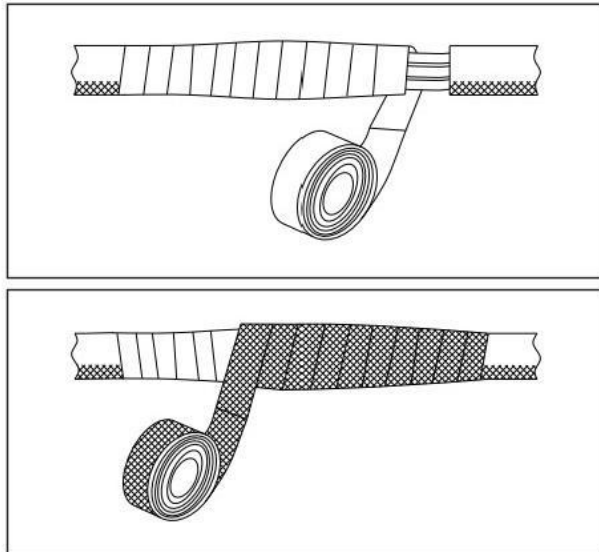
3.8.4 Wickeln Sie das Kabel, das ist abgedeckt mit Die elektrisch Isolierung Band mit A wasserdicht Klebstoff Klebeband aus der 20-30mm Kernschnur. Die wasserdichte Klebstoff Band sollen Sei 10 mm länger als Die elektrisch isolierend Band bei beide endet. Vor Die Verpackung, das wasserdichte Klebeband sollen Sei gestreckt aus 1-fach es ist Länge Und folgen Die Normal verwenden



3.8.5 Umwickeln Sie das mit dem wasserdichten Klebeband umwickelte Kabel mit dem elektrischen isolierend Band.



3.8.6 Wickeln Sie die Kabel Das Ist eingewickelt mit Die elektrisch isolierend Band mit dem wasserdichten Klebeband. Das wasserdichte Klebeband sollte 10mm länger sein als die elektrische isolierend Band an beiden Enden. Vor dem Umwickeln wird das Wasser Das Klebeband sollte Sei gestreckt aus 1-facher Länge Und folgen der normale Gebrauch .



3.8.7 Eintauchen Die Kreuzung von Die Kabel in Wasser für 12 Stunden. Testen Sie den Isolationswiderstand von Die Kabel mit A 500 V Megaohmmeter. Das kalt Isolierung Widerstand sollen Sei NEIN weniger als 50 MQ

3.9 Der Die Druckleitung muss angepasst sein an Die Wasser Steckdose (die Spezifikation m u s s anhand der Leistungsparametertabelle ausgewählt werden ). Zum Beispiel der Eisendraht oder Klemme dürfen Sei gebraucht Zu verbinden mit weichen Förderrohre; die verschraubten Gelenk kann verwendet werden für Stahl Förderrohre für weitere zuverlässige

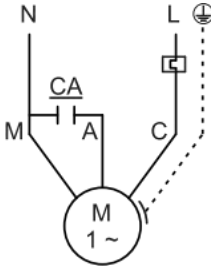
Verbindung. Weiterhin werden die Einfädelseile am Griff verwendet. In Fall, dass die Seilswimmer in die Wasser. Die Seile der Hebepumpe müssen fest und langlebig sein. Die Kabel Linien soll nicht Seil gestreckt. Aber in A natürlich lose Zustand.

- 3.10 Die Kabel sind nicht erlaubt für Auswirkungen und Zerkleinern oder gebraucht als Heben Seile. Darüber hinaus nicht ziehen die Kabel im Betrieb beliebig, so zu vermeiden elektrischer Schock verursacht von Taxi Schaden.
- 3.11 Die Tiefe der elektrischen Pumpe im Wasser soll nicht sei über 80 m aber 3 m über die unten. Pelz dort, die elektrisch Pumpe soll nicht sei gesunken hinein Böden. Benutzer soll verhindern Sonstiges zu Block Netze oder Laufräder, weil es wird führen zu abnormal funktioniert. Bitte überprüfen Sie Wasser Ebene während Werke zu vermeiden ausgesetzt oder Trockenarbeiten oder anders es wird brennen die elektrisch Maschine und andere Teile
- 3.12 Während Nutzung, Waschen, Schwimmen oder Tiere sind nicht erlaubt innerhalb Arbeiten Regionen. Die Sicherheit Warnung Label „Elektro Schock Risiko, kein Eintrag“ soll sei Satz hoch an die Website zu verhindern Unfälle.
- 3.13 Die ölgefüllte elektrisch Maschine hat eingereicht bei geeignetes Essen Maschine Öl am Zeit von ab Werk. Die Benutzer sind nicht erlaubt zu fill in irgendwaswasser oder Öl hinein die elektrisch Maschine (außer Wartung).
- 3.14 Der ölgefüllte elektrische Maschine ist gefüllt mit Essen Maschine Öl Das Mai sei durchgesickert Wann Es Ist beschädigt oder Zusammenbruch. Unter die verwenden Anwendungen solch als Pflanzung, Anbau oder die Transport und Verarbeitung von Trinkwasser und Essen usw., die ausgelaufene Nahrung Maschine Öl Mai Ursache gewisse Schäden an Pflanzen und kultiviert Tiere oder verschmutzen Trinkwasser oder Nahrung. Die Der Benutzer muss auswerten die verwenden Umfeld sowie als verwandt Folge vor Auswahl dieses Produkt Also asto bestätigen es ist richtig verwenden. Wenn notwendig, bitte einladen manche verwandt Professional Personal. Wenn es hat Essen Maschine Öl Leckage, bitte stoppen mit g und handeln mit Es richtig
- 3.15 Die Die Stromquelle muss sei abgeschnitten bei die Zeit von Einstellen Position oder Kontaktaufnahme mit elektrisch Pumps im Falle eines Unfalls. Die elektrische Pumpe soll nicht sei gehoben weg aus Wasser Oberfläche vor dem Herunterfahren Macht so dringend so als zu Garantie Sicherheit.
- 3.16 Der elektrisch Pumpe gehört zu spezialisiert technologiebasiert Produkt. Das unqualifiziert Der Reparaturdienst soll keine zufällig zerlegen. Die Versiegelung und Isolationsprüfung muss sei durchgeführt nach Stilllegung und Wiederausammenbau.
- 3.17 Die Die Wartung muss an elektrischen Pumps nach 3.000 Std. Normal Die Wartung muss werden mit elektrischen Pumps nach 3.000 Std. Normal Betrieb. Verschiedene leicht beschädigte Teile wie mechanische Dichtung, Lager, Laufrad und Also An muss sei ersetzt. Die Luft Druckprüfung muss durchgeführt werden am Motor und Öl Kammern nach aufgelegt oder Ändern mechanisch Dichtung. Der Test Druck beträgt 0,4 Mpa. Es darf keine Leckage innerhalb von fünf Minuten.
- 3.18 Die Pumpe soll nicht versenkt werden in Wasser für langfristig Nichtgebrauch. Stattdessen Pumpe soll sei setzen in das klare Wasser für mehrere Minuten Betrieb, um sauber Dreck und andere schmutzig innen und draußen der Pumpe. Darüber hinaus Rostschutz Öl soll sei

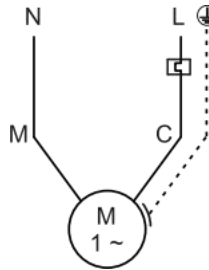
beschichtet An Die Pumpe, dann Es soll Sei setzen In A trocken Und belüftet Ort. Die elektrisch  
Pumpe mit eher langfristig verwenden soll Sei neu lackiert oder behandelt von  
Rostschutz Öl entsprechend es ist Oberfläche Korrosion Status.

# WIRING DIAGRAM

Single phase with capacitor connection demonstration



Single phase with built-in capacitor connection demonstration



## TECHNICAL DATA

Modell	Stromspannung	Ausgabe Leistung	Max.flow	Max.Kopf	Netzkabel Länge	Auslauf Größe	Pumpe Durchmesser
3SDM2/21	230V/50Hz	0,55 kW	50L/min	89 Mio.	20 m	1"	82 mm
3SDM4/16	230V/50Hz	0,75 kW	100L/min	66 m	20 m	1,25 Zoll	82 mm
3,5SDM4/11	230V/50Hz	0,75 kW	105L/min	62 m	20 m	1,25 Zoll	95 mm
4SDM4/6	230V/50Hz	0,37 kW	110L/min	44 m	20 m	1,25 Zoll	102 mm
4SDM8/9	230V/50Hz	1,1 kW	190L/min	57 m	20 m	2"	102 mm

Modell	Stromspannung	Ausgabe Leistung	Max.flow	Max.Kopf	Netzkabel Länge	Auslauf Größe	Pumpe Durchmesser
4SSM4/5-1	115 V/60 Hz	0,37 kW	105L/min	51 Min.	10 m	1,25 Zoll	102 mm
4SSM4/5-2	230V/60Hz						
4SSM5/6-1	115 V/60 Hz	0,75 kW	140L/min	63 m	10 m	1,25 Zoll	102 mm
4SSM5/6-2	230V/60Hz						
4SSM5/8-1	115 V/60 Hz	1,1 kW	140L/min	84 m	10 m	1,25 Zoll	102 mm
4SSM5/8-2	230V/60Hz						

4SSM5/12-2	230V/60Hz	1,5 kW	140L/min	130 m	10 m	1,25 Zoll	102 mm
4SSM5/18-2	230V/60Hz	2,2 kW	140L/min	195 m	10 m	1,25 Zoll	102 mm



## TECHNICAL DATA

Modell	Stromspannung	Ausgabeleistung	Max. Durchflusses	Max.Kopf	Netzkabel Länge	Auslaufgröße	Pumpe Durchmesser
4SDM3/7	230V / 50Hz	370 B	5,3 m <sup>3</sup> /h	50 m	9 Mio.	1,25 Zoll	102 mm
4SDM4/10	230V / 50Hz	750 W	7,1m <sup>3</sup> /h	75 m	9 Mio.	1,25 Zoll	102 mm
4SDM4/14	230V / 50Hz	1100 W	7,1m <sup>3</sup> /h	105m	19 Min.	1,25 Zoll	102 mm
4SDM6/15	230V / 50Hz	1500 W	9,8m <sup>3</sup> /h	108m	9 Mio.	1,5 Zoll	102 mm
4SDM6/20	230V / 50Hz	2200 W	9,8m <sup>3</sup> /h	144 m	9 Mio.	1,5 Zoll	102 mm

### Notiz:

1. Die maximale Flüssigkeitstemperatur sollte 35°C betragen .
2. Die maximale Kopfwert ist der Wert des Labortests in Die Null-Fluss-Zustand. Im tatsächlichen Einsatz Prozess, der tatsächlich das ist ein Wille Sei etwas anders aufgrund der Auswirkungen der Umfeld.

# FAILURE REASONS AND TROUBLESHOOTING METHOD

Fehler Phänomen	Gründe	Lösungen
<p style="text-align: center;">Motor: von Betrieb</p>	<ol style="list-style-type: none"> <li>1. Zu viel Niederspannung führt to failed start-up;</li> <li>2. Festsitzendes Laufrad oder Stator und Rotor;</li> <li>3. Ausschalten</li> <li>4. Die Schweißlinien von Kondensator und Schutzfolie fallen off or to be burnt;</li> <li>5. Durchgebrannte Statorwicklung oder offene Schaltung.</li> </ol>	<ol style="list-style-type: none"> <li>1. Use a voltage regulator for further Einstellung;</li> <li>2. Abheben das Wassereinflussventil zu reinigen Verstopfungen von Laufrädern sowie Schlamm von sanddichte Abdeckung;</li> <li>3. Ursachen prüfen und dann die entsprechende Maßnahmen;</li> <li>4. Herabfallende Drähte nachschweißen oder austauschen damaged parts;</li> <li>5. An die Wartungseinheit senden, um ersetzen oder Wicklungen reparieren.</li> </ol>
<p style="text-align: center;">Kein Wasser oder NEIN genug Wasser Menge</p>	<ol style="list-style-type: none"> <li>1. Zu viel Niederspannung führt nicht genug Rotation oder reduzierte Wassermenge;</li> <li>2. Zu hoch hebe das hat überschritten elektrische Pumpe Hubkapazität;</li> <li>3. Das Sieb bzw. Laufrad ist abgewehrt</li> <li>4. Starker Verschleiß der Laufräder;</li> <li>5. Unterbrechung der Statorwicklung.</li> </ol>	<ol style="list-style-type: none"> <li>1. Spannung anpassen;</li> <li>2. Heben verringern oder kaufen ein anderer elektrisch Pumpe je nach praktischer Situation;</li> <li>3. Reinigen blockierte Kleinigkeiten;</li> <li>4. Laufrad wechseln oder schicken es zu Wartungseinheit;</li> <li>5. Senden Sie es an die Wartung Einheit für further repair.</li> </ol>
<p style="text-align: center;">Häufig gearbeitet Protektoren</p>	<ol style="list-style-type: none"> <li>1. Zu viel Niederspannung führt zu erhöhtem Strom und schwerer Motor Heizung;</li> <li>2. Zu viel niedrig Aufzug führt zu Verbesserte Wasserableitung und schwere Motorüberlastung;</li> <li>3. Abnormer Verschleiß der Rotoren oder parts;</li> <li>4. Die elektrische Pumpe Ist ausgesetzt über Wasser oder in einem dry environment;</li> <li>5. Beschädigte Dichtung; Wasser inflow of machine winding;</li> <li>6. Starker Lagerverschleiß ( laut Lärm) und erhöhte Reibungskraft.</li> </ol>	<ol style="list-style-type: none"> <li>1. Spannung anpassen;</li> <li>2. Verwenden Sie Eisendraht, um schmales Wasser outlet so as to reduce outflow;</li> <li>3. Adjust or replace parts;</li> <li>4. Einbauhöhe reduzieren;</li> <li>5. Replace sealing element and dry die elektrische Maschine;</li> <li>6. Ersetzen Lager.</li> </ol>



**Entsorgung:** Dieses Produkt unterliegt den Bestimmungen der europäischen Richtlinie 2012/ 19/EG.

Das Symbol einer durchgestrichenen Mülltonne weist darauf hin, dass das Produkt erfordert eine getrennte Müllabfuhr in den Europäische Union. Dies gilt für die Produkt und alle Zubehörteile sind mit diesem Symbol gekennzeichnet. Produkte markiert als solch Mai nicht mit dem normalen Hausmüll entsorgt werden, sondern muss zur Abholung gebracht werden  
Sammelstelle für das Recycling elektrischer und elektronischer Geräte.

**VEVOR<sup>®</sup>**

**ROBUSTE WERKZEUGE, HÄLFTE PREIS**

**Technischer Support und E-War-  
Ranty Zertifikat**

**[www.vevor.com/support](http://www.vevor.com/support)**

# VEVOR®

TOUGH TOOLS, HALF PRICE

Supporto tecnico e Certificato di garanzia  
elettronica [www.vevor.com/support](http://www.vevor.com/support)

## SUBMERSIBLE PUMP FOR DEEP-WELL OPERATION MANUAL

Continuiamo ad impegnarci a fornire Voi utensili con competitivo prezzo. "Salva Metà", "Metà prezzo" o altre espressioni simili usato di noi soltanto rappresenta una stima dei risparmi che potresti beneficiare di acquistare alcuni utensili

con noi rispetto al cima maggiore marche e fa non necessariamente significa coprire tutte le categorie di strumenti offerti di noi.

Sei gentilmente ricordato di verificare attentamente quando si posiziona UN ordine

con noi se stai effettivamente risparmiando la metà In confronto con IL superiore maggiore

marchi.



## SUBMERSIBLE PUMP FOR DEEP-WELL



**NEED HELP?CONTACT US!**

**Avere Domande sul prodotto? Hai bisogno di supporto tecnico? Non esitare a contattarci noi :**

**Supporto tecnico e Certificato di garanzia  
elettronica  
[www.vevor.com/support](http://www.vevor.com/support)**

Questo È IL originale istruzioni, p locazione Leggere Tutto manuale istruzioni accuratamente Prima  
operativo.

VEVOR si riserva la chiara interpretazione del nostro manuale utente. aspetto Di IL prodotto  
deve Essere

**soggetto A IL prodotto Voi ricevuto. Per favore perdonare noi Quello Noi non informare Voi Ancora Se  
Là È**

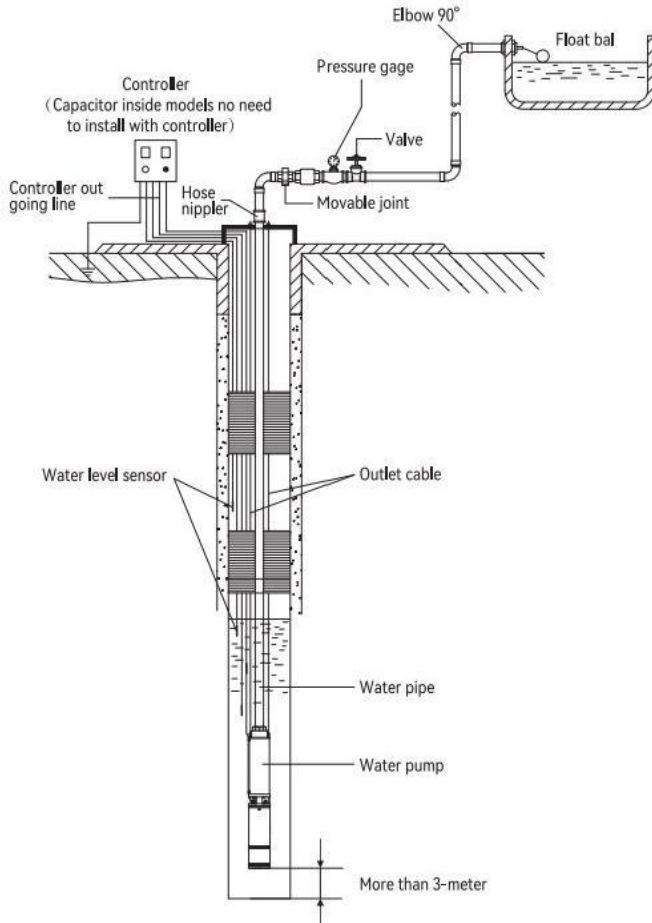
qualsiasi tecnologia O software Aggiornamenti SU Nostro prodotto.



**Grazie per aver acquistato le nostre pompe per l'acqua.  
Per favore leggere attentamente il manuale operativo prima  
utilizzando.**

## **AWARNING**

- IL affidabile messa a terra dovere Essere condotto Prima usando acqua pompa.La terra perdita protettivo dispositivo COME BENE COME IL sovraccarico O sovracorrente protettivo dispositivo dovere Essere installato sull'acqua pompa
- La pompa elettrica non è ammessa per il funzionamento a secco
- Quando la pompa È In operazione,persone E animali deve non tocco IL acqua vicino IL pompa.
- In ordine A impedire elettrico shock,il energia fonte deve Essere chiuso spento A manutenzione E pulizia
- Sostituzione energia cavo,tipo E connessione-Se IL energia corda È danneggiato, dovere Essere sostituito con UN speciale flessibile corda ora speciale componente acquistato da suo produttore O manutenzione dipartimento.



La struttura di installazione sopra è per solo per riferimento. Per favore acquistare IL corrispondenza parti mostrato In la figura te stesso.

## INTRODUCTION

IL pozzo profondo pompa un'acqua attrezzo di sollevamento basato SU diretto connessione fra elettrico macchina e acqua pompa, che È adatto per andare a prendere metropolitana acqua da profondo pozzi, fiumi, bacini idrici E canali ecc. in alcuni progetti. Inoltre, questo prodotto è principalmente usato per terreno agricolo irrigazione COME BENE COME umano E animale bere acqua In altopiano montagna aree. Altro cosa importante, il pozzo profondo pompa può Essere usato per acqua fornitura E scarico In città, fabbriche, ferrovie, miniere E costruzione siti

## USE CONDITION

2.1 Voltaggio fluttuante allineare deve essere  $\pm 10\%$  di valutato valori

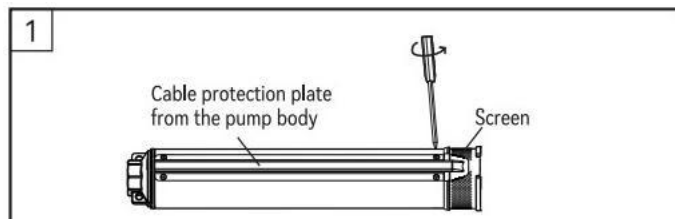
2.2 La temperatura dell'acqua non deve essere superiore a  $+35\text{ }^{\circ}\text{C}$ .

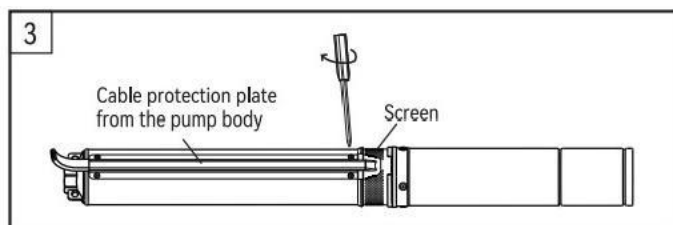
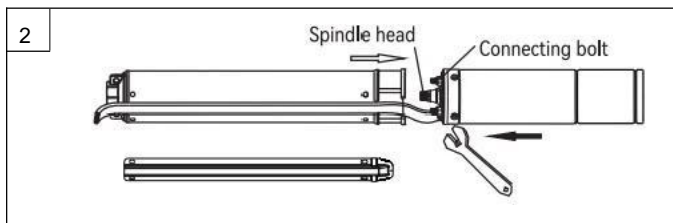
2.3 Il valore del pH dell'acqua è compreso tra 6.5 E 8.5.

2.4 I contenuti solidi nell'acqua deve non Essere più grande di 0,25% con IL massimo diametro non Sopra 2,3 mm.

## INSTALLATION USE AND NOTICE

- 3.1 Si prega di verificare che il diametro interno sia conforme a diametro minimo dell'acqua pompe Prima acquisto E installazione. Se Esso È UN nuovo bene, il aria compressore o acqua vecchia pompa deve Essere usato A pulito articoli vari E terreni. Dopo di che, per favore controllo se IL acqua qualità E temperatura conform A utilizzo condizioni. L'acqua pompa Potere soltanto Essere installato su l'acqua dentro il pozzo su A standard.
- 3.2 Si prega di controllare i danni che può essere causato nel trasporto e stoccaggio processo Dopo disimballaggio IL pompa. Per esempio, se il cavo E tappo ecc. Sono intatto; vari punti Sono non allentato e senza Qualunque età della perdita. Se c'è ha Qualunque danno, per favore contatto personale A riparazione O sostituire Esso
- 3.3 Durante installazione, si prega di risolvere il problema elettrico pompa poi installare il terra perdita dispositivo di protezione o il sovraccaricare o sovraccaricare protettivo dispositivo correttamente. Il elettrico pompa dovere Essere collegato A terra in modo affidabile.
- 3.4 Quando l'acqua pompa raggiunge un certo lunghezza, il motore e il pompa corpo Bisogno A Essere imballato separatamente
- Nel caso di un separato imballaggio, innanzitutto rimuovere IL filtro schermo E IL cavo protezione piatto da IL pompa corpo (Figura 1), quindi posizionare il pompa corpo SU IL motore A Fare IL mandrino Testa del rotore dolcemente diapositiva in IL accoppiamento, manualmente ruotare IL accoppiamento A controllo se è possibile Potere correre normalmente, allora vite su IL collegamento bullone (Figura 2) e finalmente installare IL filtro schermo E IL cavo protezione piatto (Figura 3).





3.5 Prima utilizzare, testare accuratamente il isolamento resistenza del elettronico pompa avvolgimento dello statore (compreso in uscita cavo) a IL pompa involucro con UN 500V megaohmetro, e IL Freddo in isolamento la resistenza dovrebbe Essere NO meno di 100 MQ.

3.6 L'elettrico la pompa deve essere connesso a IL energia fonte per prova operazione Prima entrare nell'acqua. Il tempo sarà non superare i 3 secondi. Il cavo linee di acqua monofase pompa deve essere connesso secondo il cablaggio diagramma sul elettrico macchina O controllare mobiletto rigorosamente collegato con i colori corretti. Il cablaggio sbagliato causerà lavori anomali O Anche danno IL elettrico macchina; trifase acqua pompa Potere Essere collegato senza differenziare cavo colori

3.7 Una linea elettrica può essere aggiunto con piuttosto distante energia Fornitura. Per favore selezionare corretto cavo linee secondo A tavolo A Evitare IL cavo pure magro A Essere anormale operazione .

## 220-240V~ 50/60Hz

Separare Fase Motore	Lunghezza del cavo/sezione trasversale del conduttore (mm <sup>2</sup> )						
	kW	0-15m	16-30m	31-45m	46-60m	61-75m	76-90m
0,25	0,75	0,75	0,75	0,75	0,75	1.0	1,25
0,37	0,75	0,75	0,75	1.0	1.0	1,25	1,25
0,55	0,75	0,75	1.0	1,25	1,25	1,25	1.5
0,75	0,75	1.0	1,25	1,25	1,25	1.5	1.5
0,92	1.0	1,25	1,25	1.5	1.5	1.5	2.0
1.1	1.0	1,25	1.5	1.5	1.5	2.0	2.0
1.5	1,25	1.5	2.0	2.0	2.0	2.5	2.5
1.8	1.5	2.0	2.0	2.5	2.5	2.5	3.0
2.2	1.5	2.0	2.5	2.5	2.5	3.0	4.0
2.6	2.0	2.5	2.5	3.0	3.0	4.0	4.0
3.0	2.0	2.5	3.0	4.0	4.0	4.0	5.0

## 115V~ 60Hz

Separare Fase Motore	Area della sezione trasversale del conduttore (mm <sup>2</sup> )					
	kW	0-15m	16-30m	31-45m	46-60m	61-80m
0,18	0,6	0,75	1.0	1,25	1.5	2.0
0,25	0,75	1.0	1,25	1.5	2.0	2.5
0,37	1.0	1,25	1.5	2.0	2.5	3.0
0,55	1.0	1.5	2.0	2.5	3.0	4.0
0,75	1,25	2.0	2.5	4.0	5.0	6.0
1.1	1.5	2.5	4.0	5.0	6.0	8.0
1.5	2.5	4.0	5.0	6.0	8.0	/

Per scegliere l' area di taglio richiesta del cavo secondo A IL energia Di pompa e lunghezza del cavo esterno per garantire la normale operazione Di motore.

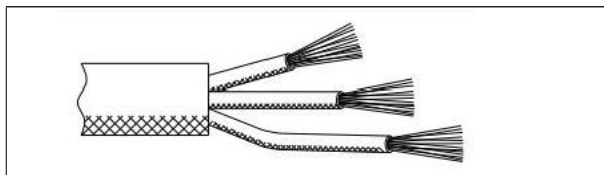


**ATTENZION**  
**E**

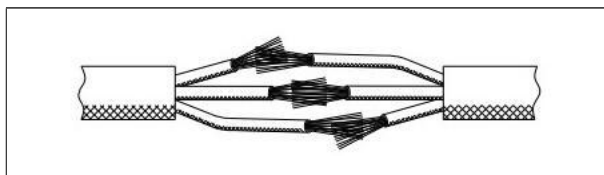
Esso È necessario per utenti A scegliere IL cavo diametro più spesso dei cavi principali quando si estende il cavo principale cavi . Il specifico cavo diametro È dettagliato In IL manuale .

3.8 Si prega di procedere come segue: aggiungendo cavo linee:

3.8.1 Spelare un cavo da 50-60 mm con un filo spogliarellista, poi striscia IL gomma tubo flessibile A svelare UN 20-30mm  
filo di rame



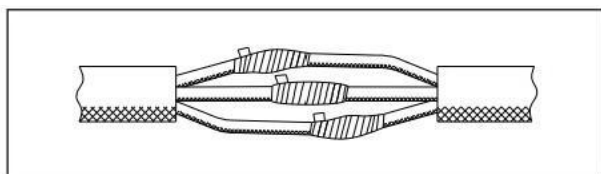
3.8.2 Tendere due linee di cavi dello stesso colore in spirale forma COSÌ COME A garanzia vicino connessione ;



3.8.3 Avvolgere strettamente e coprire il cavo con IL elettrico isolante nastro da IL 15-20mm nucleo corda.

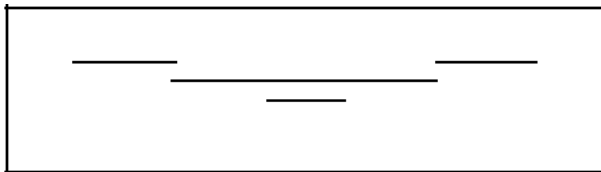


3.8.4 Avvolgere il cavo che è coperto con IL elettrico isolante nastro con UN impermeabile adesivo nastro dal cavo centrale da 20-30 mm. L'impermeabile adesivo nastro Dovrebbe Essere 10 millimetri più lungo di IL elettrico isolante nastro A Entrambi finisce. Prima IL avvolgimento, il nastro impermeabile Dovrebbe Essere allungato fuori 1-piega suo lunghezza E seguire IL normale utilizzo

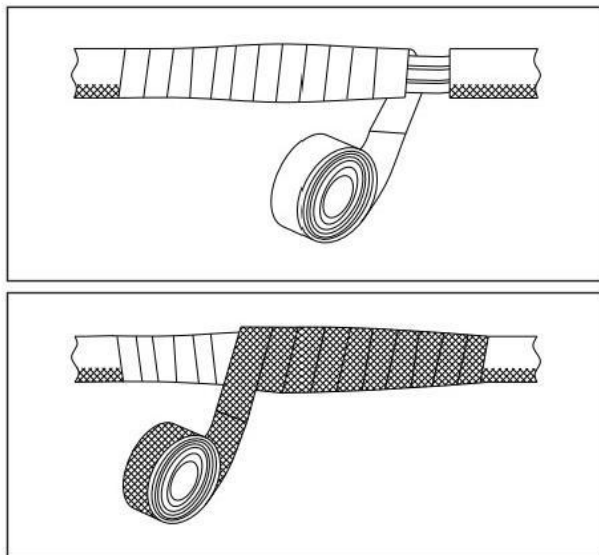




3.8.5 Avvolgere il cavo avvolto con il nastro adesivo impermeabile con il cavo elettrico isolante nastro.



3.8.6 Avvolgere cavo Quello È avvolto con IL elettrico isolante nastro con il nastro adesivo impermeabile. Il nastro adesivo impermeabile dovrebbe essere 10mm più lungo dell'elettrico isolante nastro ad entrambe le estremità. Prima dell'avvolgimento ,l'acqua il nastro di prova dovrebbe Essere allungato fuori 1-piega il suo lunghezza E seguire l'uso normale .



3.8.7 Immergere IL giunzione Di IL cavo in acqua per 12 ore. Testare la resistenza di isolamento Di IL cavo con UN 500V megaohmmetro.IL Freddo isolamento resistenza Dovrebbe Essere NO meno di 50 MQ

3.9 IL il tubo di mandata deve essere abbinato a IL acqua presa(il specificazione deve essere selezionato in base alla tabella dei parametri di prestazione).Ad esempio , il filo di ferro o MORSETTO Potere Essere usato A connessi con soft tubi di mandata; i filettati il giunto può essere utilizzato per acciaio tubi di mandata per ulteriormente affidabile

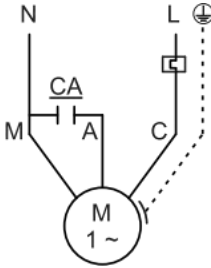
collegamento. Inoltre, le corde di infilaggio vengono utilizzate sulla maniglia. In caso che il galleggianti di corda in l'acqua. Le corde legate della pompa elettrica di sollevamento devono essere solide e durevoli. cavo linee deve non essere allungato ma in un naturale sciolto stato.

- 3.10 Il cavo non è consentito per impatto e schiacciamento o usato come sollevamento corde. Inoltre, non tirare i cavi in modo casuale durante il funzionamento in modo tale che si eviti lo shock elettrico causato dal loro danno.
- 3.11 La profondità dell'acqua della pompa elettrica deve non essere sopra 80 metri ma 3 milioni sopra il fondo. Pelliccia  
 Il cavo elettrico della pompa deve non essere affondato in terreni. Nel frattempo, l'utente deve impedire articoli vari a bloccare reti o giranti, perché sarà condotto a un'anormale funzione. Per favore controllare il livello dell'acqua durante i lavori a evitare l'esposizione o lavori a secco, o altro lo farà bruciare il cavo elettrico, la macchina e altre parti.
- 3.12 Durante l'utilizzo, lavaggio, nuoto o animali non sono consentiti entro le regioni. La sicurezza avvertimento etichetta "shock elettrico rischio, no l'ingresso" dovrà essere impostata su SU il sito a impedire incidenti.
- 3.13 Il pieno d'olio della macchina elettrica ha è stato archiviato con il cibo appropriato macchina olio al tempo  
 Di ex-fabbrica. Gli utenti non sono consentiti a riempire in qualsiasi acqua o olio in il cavo elettrico macchina (tranne per manutenzione).
- 3.14 L'impianto elettrico riempito d'olio macchina è riempito con il cibo macchina olio. Quello che è danneggiato o guasto. Sotto l'utilizzo applicazioni come come piantagione, coltivazione o il trasporto e elaborazione di acqua potabile e cibo, ecc., il cibo trapelato macchina olio può causare danno certo a piante e colture animali o inquinare bere acqua o cibo. L'utente deve valutare l'utilizzo ambiente anche come imparentato conseguenza prima selezionando questo prodotto COSÌ come confermare il suo corretto usare. Se necessario, per favore invitare alcuni imparentati professionali. Se c'è ha il cibo macchina olio perduto, per favore fermare usando il g e Affare con Esso correttamente.
- 3.15 Il cavo di energia deve essere tagliato fuori al tempo di aggiustamento posizione o contattare con il cavo delle pompe in caso di incidenti. La pompa elettrica deve non essere sollevata lontano da acqua superficie prima dello smistamento fonte di energia quindi come A garanzia sicurezza.
- 3.16 Il cavo elettrico della pompa appartiene a specializzato basato sulla tecnologia del prodotto. Il non qualificato il riparatore deve non condurre alcun smontare casualmente. La sigillatura e test di isolamento devono essere condotti dopo il riposo e rimontaggio.
- 3.17 La manutenzione deve essere effettuata su componenti elettrici delle pompe. Dopo 3.000 ore normale operazione. La manutenzione deve essere condotta su il cavo elettrico delle pompe. Dopo 3.000 ore normale operazione. Vari  
 parti facilmente danneggiabili come quelle meccaniche guarnizione, cuscinetto, girante e COSÌ SU dovere essere sostituito. L'aria prova di pressione deve essere condotta su motore e olio camere. Dopo messo a riposo o cambiare meccanico sigillare. Il test pressione è 0,4 Mpa. Non ci sarà perdite entro cinque minuti.
- 3.18 La pompa deve non essere affondato in acqua per un lungo termine non utilizzo. Invece, la pompa deve essere mettere in l'acqua limpida per diversi minuti di funzionamento in modo da pulito

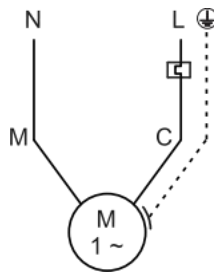
fango E altro sporca dentro E al di fuori del pompa. Inoltre, la antiruggine olio deve Essere rivestito SU IL pompa, quindi Esso deve Essere Mettere In UN Asciutto E ventilato posto. Il elettrico pompa con Piuttosto a lungo termine utilizzo deve Essere ridipinto O trattato di antiruggine olio secondo suo superficie corrosione stato.

# WIRING DIAGRAM

Single phase with capacitor connection demonstration



Single phase with built-in capacitor connection demonstration



## TECHNICAL DATA

Modello	Voltaggio	Produzione Energia	Max.flow	Prevalenza massima	Cavo di alimentazione lunghezza	Presamisure	Pompa diametro
3SDM2/21	230V/50Hz	0,55 kW	50 l/min	89 milioni	20 metri	1"	82mm
3SDM4/16	230V/50Hz	0,75 kW	100L/min	66 milioni	20 metri	1,25"	82mm
3.5SDM4/11	230V/50Hz	0,75 kW	105 l/min	62 milioni	20 metri	1,25"	95mm
4SDM4/6	230V/50Hz	0,37 kW	110 l/min	44 milioni	20 metri	1,25"	102mm
4SDM8/9	230V/50Hz	1,1 kW	190 l/min	57 milioni	20 metri	2"	102mm

Modello	Voltaggio	Produzione Energia	Max.flow	Prevalenza massima	Cavo di alimentazione lunghezza	Presamisure	Pompa diametro
4SSM4/5-1	115V/60Hz	0,37 kW	105 l/min	51 milioni	10 metri	1,25"	102mm
4SSM4/5-2	230V/60Hz						
4SSM5/6-1	115V/60Hz	0,75 kW	140 l/min	63 milioni	10 metri	1,25"	102mm
4SSM5/6-2	230V/60Hz						
4SSM5/8-1	115V/60Hz	1,1 kW	140 l/min	84			

4SSM5/8-2	230V/60Hz			milioni	10 metri	1,25"	102mm
4SSM5/12-2	230V/60Hz	1,5 kW	140 l/min	130 metri	10 metri	1,25"	102mm
4SSM5/18-2	230V/60Hz	2,2 kW	140 l/min	195 milioni	10 metri	1,25"	102mm

## TECHNICAL DATA

Modello	Voltaggio	Produzione Energia	Portata massima	Prevalenza massima	Cavo di alimentazione lunghezza	Presamisure	Pompa diametro
4SDM3/7	230V / 50Hz	370 L'	5,3 metri cubi/ora	50 metri	9 milioni	1,25"	102mm
4SDM4/10	230V / 50Hz	750W	7,1 m <sup>3</sup> /ora	75 metri	9 milioni	1,25"	102mm
4SDM4/14	230V / 50Hz	1100W	7,1 m <sup>3</sup> /ora	105 metri	19 milioni	1,25"	102mm
4SDM6/15	230V / 50Hz	1500W	9,8m <sup>3</sup> /ora	108 milioni	9 milioni	1,5"	102mm
4SDM6/20	230V / 50Hz	2200W	9,8m <sup>3</sup> /ora	144 milioni	9 milioni	1,5"	102mm

### Nota:

1. Il massimo la temperatura del liquido dovrebbe essere 35°C .
2. Il massimo valore della testa è il valore del test di laboratorio in IL stato di flusso zero. Nell'uso effettivo processo, il attuale da un testamento Essere leggermente diverso a causa dell'impatto del ambiente.

# FAILURE REASONS AND TROUBLESHOOTING METHOD

Colpa fenomeno	Motivi	Soluzioni
Motore: fuori da operazio ne	<ol style="list-style-type: none"> <li>1. Troppo bassa tensione conduce to failed start-up;</li> <li>2. Girante o statore bloccati e rotore;</li> <li>3. Spegnimento</li> <li>4. Le linee di saldatura Di condensatore e protettore f all off or to be burnt;</li> <li>5. Avvolgimento dello statore bruciato o aperto circuito.</li> </ol>	<ol style="list-style-type: none"> <li>1. Use a voltage regulator for further adjustment;</li> <li>2. Decollo la valvola di ingresso dell'acqua da pulire tappi di giranti e limo Di copertura antisabbia;</li> <li>3. Controllare le cause e quindi prendere la misure corrispondenti;</li> <li>4. Risaldare i fili che cadono o cambiare damaged parts;</li> <li>5. Inviare all'unità di manutenzione a sostituire o riparare gli avvolgimenti.</li> </ol>
Niente acqua O NO Abbastanza acqua quantità	<ol style="list-style-type: none"> <li>1. Troppo bassa tensione conduce a non abbastanza rotazione o quantità d'acqua ridotta;</li> <li>2. Troppo alto sollevare quello ha superato il limite della pompa elettrica capacità di sollevamento;</li> <li>3. Il filtro o la girante è bloccato</li> <li>4. Grave usura delle giranti;</li> <li>5. Circuito aperto dell'avvolgimento dello statore.</li> </ol>	<ol style="list-style-type: none"> <li>1. Regolare la tensione;</li> <li>2. Diminuire il sollevamento o acquistare un altro elettrico pompare in base alla situazione pratica;</li> <li>3. Pulisci articoli vari bloccati;</li> <li>4. Sostituire la girante o Inviare esso a unità di manutenzione;</li> <li>5. Inviarlo alla manutenzione unità per further repair.</li> </ol>
Spesso lavorato protettori	<ol style="list-style-type: none"> <li>1. Troppo bassa tensione conduce per aumentare la corrente e motore serio riscaldamento;</li> <li>2. Troppo Basso sollevare porta a aumento del drenaggio dell'acqua e grave sovraccarico motorio;</li> <li>3. Usura anomala dei rotori o parts;</li> <li>4. La pompa elettrica È esposto sopra l'acqua o azionato in un dry environment;</li> <li>5. Guarnizione danneggiata; acqua inflow of machine winding;</li> <li>6. Grave usura dei cuscinetti ( rumore samente rumore) e maggiore forza di attrito degli ioni.</li> </ol>	<ol style="list-style-type: none"> <li>1. Regolare la tensione;</li> <li>2. Utilizzare il filo di ferro per acqua stretta outlet so as to reduce outflow;</li> <li>3. Adjust or replace parts;</li> <li>4. Ridurre l'altezza di installazione;</li> <li>5. Replace sealing element and dry la macchina elettrica;</li> <li>6. Sostituire cuscinetto.</li> </ol>





**Smaltimento:** Questo prodotto è soggetto alle disposizioni della normativa europea Direttiva 2012/ 19/CE.

Il simbolo raffigurante un bidone della spazzatura barrato indica che il prodotto richiede la raccolta differenziata dei rifiuti nel Unione Europea. Ciò vale per la prodotto e tutti gli accessori contrassegnati con questo simbolo. Prodotti contrassegnati COME come Maggio non smaltire con i normali rifiuti domestici, ma dovere essere portato a una raccolta punto per il riciclaggio di apparecchiature elettriche ed elettroniche.

**VEVOR<sup>®</sup>**

**STRUMENTI RESISTENTI, METÀ PREZZO**

**Supporto tecnico e Sfogo sulla  
guerra elettronica Certificato  
[www.vevor.com/support](http://www.vevor.com/support)**

# VEVOR®

## TOUGH TOOLS, HALF PRICE

Soporte técnico y Certificado de garantía  
electrónica [www.vevor.com/support](http://www.vevor.com/support)

# SUBMERSIBLE PUMP FOR DEEP-WELL OPERATION MANUAL

Seguimos comprometidos a brindar tú herramientas con competitivo precio. "Ahorrar Mitad", "mitad de precio" o cualquier otra expresión similar usado por a nosotros solo representa una estimación de los ahorros que podría beneficiarse de comprando ciertos herramientas con nosotros comparados con el cima mayor marcas y hace no necesariamente significar Cubrir todas las categorías de herramientas ofrecidas por a nosotros. Eres amable Se recuerda verificar cuidadosamente al colocar un orden con nosotros Si en realidad estás ahorrando la mitad en Comparación con el arriba importante marcas.



# SUBMERSIBLE PUMP FOR DEEP-WELL



**NEED HELP?CONTACT US!**

**Tener ¿Tiene preguntas sobre el producto? ¿Necesita asistencia técnica? No dude en ponerse en contacto con nosotros. a nosotros :**

**Soporte técnico y Certificado de garantía  
electrónica  
[www.vevor.com/support](http://www.vevor.com/support)**

**Este es el original instrucciones, por favor leer todo manual instrucciones con cuidado antes operante.**

VEVOR se reserva la interpretación clara de nuestro manual de usuario. apariencia de el producto deber ser

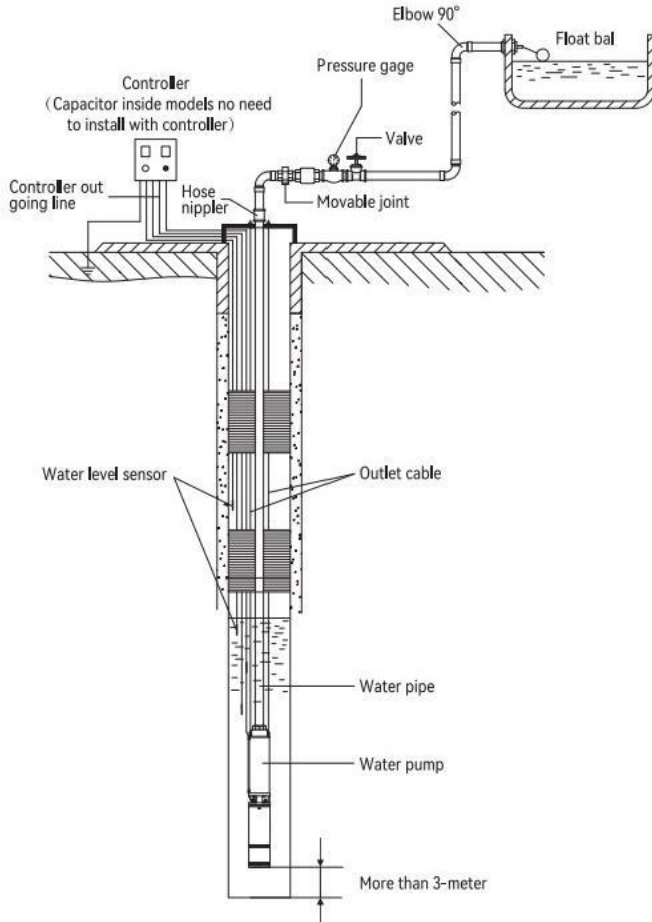
**sujeto a el producto tú recibido. por favor perdonar a nosotros eso nosotros no informar tú de nuevo si allá es**

cualquier tecnología o software actualizaciones en nuestro producto.

**Gracias por comprar nuestras bombas de agua.  
Por favor Lea atentamente el manual de instrucciones antes  
usando.**

## **AWARNING**

- El confiable toma de tierra debe ser realizado antes usando agua bomba. La tierra fuga protector dispositivo como Bueno como el sobrecarga o sobrecorriente protector dispositivo debe ser instalado sobre el agua bomba
- La bomba eléctrica no está permitida para funcionamiento en seco.
- Cuando La bomba es en operación, gente y Animales deber no tocar el agua cerca el bomba.
- En orden a prevenir eléctrico choque, el fuerza fuente deber ser cerrar apagado en mantenimiento y limpieza
- Reemplazo fuerza cable, Tipo Y conexión- Si el fuerza cable es dañado, es debe ser rep atado con a especial flexible cable ahora especial componente comprado de es fabricante o mantenimiento departamento.



La estructura de instalación anterior es para Solo como referencia. Por favor compra el pareo regiones mostrado en La figura por tú mismo.



## INTRODUCTION

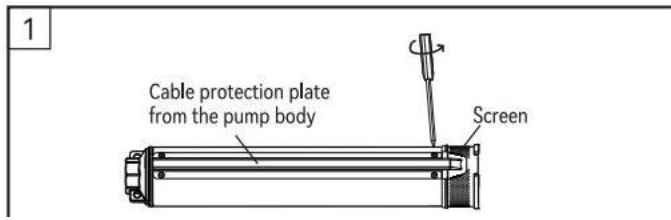
El pozo profundo bombas Un agua herramienta de elevación basado en directo conexión entre eléctrico máquina y agua bomba, que es adecuado para Trayendo g subterráneo agua de profundo pozos, ríos, embalses y canales etc. En algunos casos proyectos. Además, este producto es principalmente usado para Tierras de cultivo riego como Bueno como humano y animal bebida agua en meseta montaña áreas. Más lo más importante es que pozo profundo La bomba puede ser usado Para agua suministrar y descargar en ciudades, fábricas, ferrocarriles, minas y construcción sitios

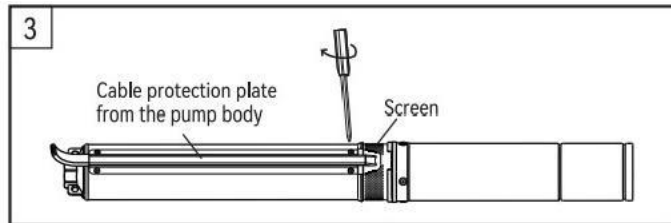
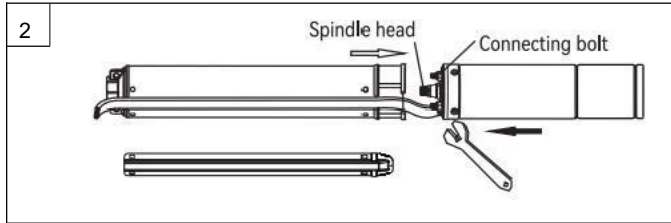
## USE CONDITION

- 2.1 Voltaje fluctuante rango deber ser  $\pm 10\%$  de calificado valores
- 2.2 La temperatura del agua no deberá ser superior a  $+35\text{ }^{\circ}\text{C}$ .
- 2.3 El El valor de pH del agua está entre 6.5 y 8.5.
- 2.4 El contenido sólido en el agua deberá no ser Más grande que 0,25% con el máximo diámetro no encima 2,3 mm.

## INSTALLATION USE AND NOTICE

- 3.1 Compruebe si el diámetro interior se ajusta al diámetro mínimo del agua zapatillas antes comprar y instalando.Si él es a nuevo pozo,el aire compresor o agua vieja bomba deber ser usado a limpio miscelánea y suelos.Después de eso,por favor controlar si el agua calidad y temperatura ajustarse a usar condiciones.El agua bomba poder solo ser instalado sobre El agua adentro El pozo arriba a estándar.
- 3.2 Por favor, compruebe el daño que Puede ser causado En el transporte y almacenamiento proceso después  
Desembalaje el bomba.para Por ejemplo, si cable y enchufar etc. son intacto;varias articulaciones son no aflojado y sin cualquier edad de fuga.Si hay tiene cualquier daño,por favor contacto con profesional personal a reparar o reemplazar él
- 3.3 Durante Instalación, por favor arregle el eléctrico bomba y luego Instalar el tierra fuga dispositivo de protección o el Sobreescuchar o sobrecorriente protector dispositivo correctamente.El eléctrico bomba debe ser conectado a suelo seguramente.
- 3.4 Cuando el agua bomba alcanza un cierto longitud,la motor y el bomba cuerpo necesidad a ser lleno por separado
- En caso de un separado embalaje, en primer lugar eliminar el filtrar pantalla y el cable protección lámina de el bomba cuerpo (Figura 1), entonces colocar el bomba cuerpo en el motor a hacer el huso cabeza del rotor suavemente deslizar en el acoplamiento, manualmente girar el enganche a controlar si es así poder correr normalmente, entonces tornillo arriba el Conectando perno (Figura 2), y finalmente instalar el filtrar pantalla y el cable protección lámina (Figura 3).





3.5 Antes utilizar, probar a fondo el aislamiento resistencia del electrónico zapatas bobinado del estator

(incluido extrovertido cable) a la bomba caja con a 500 V megóhmetro, y el frío en aislamiento La resistencia debería ser No menos que 100 M.Ω.

3.6 El eléctrico La bomba deberá estar conectado a la fuerza fuente para ensayo operación antes entrando en el agua. El tiempo se no exceder los 3 segundos. cable pautado de agua monofásica bomba deber relacionarse según el cableado diagrama en el electric máquina o control gabinete estrictamente conectado con los colores correctos. El cableado incorrecto provocará obras anormales o incluso daño el eléctrico máquina; trifásica agua bomba poder ser conectado sin diferenciando cable bandera

3.7 Una línea eléctrica puede ser añadido con bastante distante fuerza suministro. por favor seleccionar adecuado cable pautado de acuerdo a la mesa a evitar el cable también delgado a ser anormal operación .

## 220-240 V~ 50/60 Hz

Soltero Fase Motor	Longitud del cable/Área de la sección transversal del conductor (mm <sup>2</sup> )					
	0-15 m	16-30 m	31-45 m	46-60 m	61-75 m	76-90 m
kilovatios						
0,25	0,75	0,75	0,75	0,75	1.0	1.25
0,37	0,75	0,75	0,75	1.0	1.25	1.25
0,55	0,75	0,75	1.0	1.25	1.25	1.5
0,75	0,75	1.0	1.25	1.25	1.5	1.5
0,92	1.0	1.25	1.25	1.5	1.5	2.0
1.1	1.0	1.25	1.5	1.5	2.0	2.0
1.5	1.25	1.5	2.0	2.0	2.5	2.5
1.8	1.5	2.0	2.0	2.5	2.5	3.0
2.2	1.5	2.0	2.5	2.5	3.0	4.0
2.6	2.0	2.5	2.5	3.0	4.0	4.0
3.0	2.0	2.5	3.0	4.0	4.0	5.0

## 115 V ~ 60 Hz

Soltero Fase Motor	Longitud del cable/Área de la sección transversal del conductor (mm <sup>2</sup> )					
	0-15 m	16-30 m	31-45 m	46-60 m	61-80 m	81-100 metros
kilovatios						
0,18	0.6	0,75	1.0	1.25	1.5	2.0
0,25	0,75	1.0	1.25	1.5	2.0	2.5
0,37	1.0	1.25	1.5	2.0	2.5	3.0
0,55	1.0	1.5	2.0	2.5	3.0	4.0
0,75	1.25	2.0	2.5	4.0	5.0	6.0
1.1	1.5	2.5	4.0	5.0	6.0	8.0
1.5	2.5	4.0	5.0	6.0	8.0	/

Para elegir el área de corte de cable requerida de acuerdo a a el fuerza de bomba

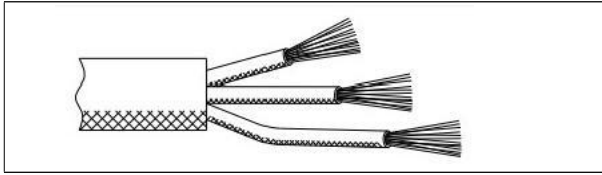
y la longitud del cable externo para garantizar la normal operación de motor.



Él es necesario para usuarios a elegir el cable diámetro más grueso que los cables principales al extender el cable principal cables . los específico cable diámetro es detallado en el manual .

3.8 Siga las instrucciones a continuación para añadiendo cable pautado:

3.8.1 Pele un cable de 50-60 mm con un alambre stripper, entonces bandede la goma manguera a revelar a 20-30 mm alambre de cobre



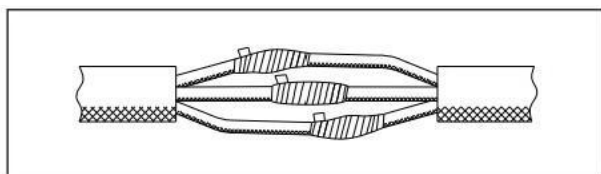
3.8.2 Tensar dos líneas de cable con el mismo color en espiral forma entonces como a garantizar cerca conexión ;



3.8.3 Enrolle y cubra firmemente el cable con el eléctrico aislante cinta de el 15-20 mm centro cable.



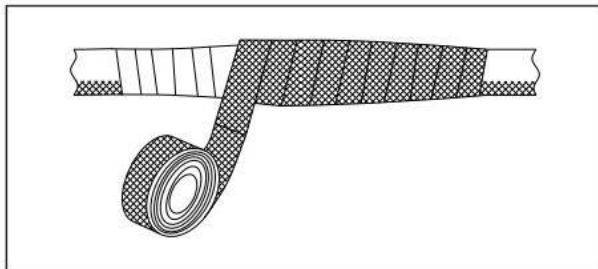
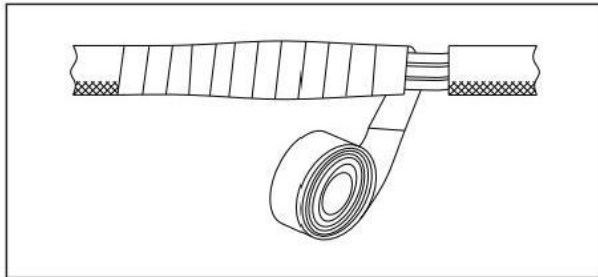
3.8.4 Enrolle el cable que está cubierto con el eléctrico aislante cinta con a impermeable adhesivo Cinta del cordón central de 20-30 mm. Resistente al agua Adhesiva cinta debería ser 10 mm más extenso que el eléctrico aislante cinta en ambos terminales. Antes el envoltura, la cinta impermeable debería ser estirado afuera 1 pliegue es longitud y seguir el normal usar



3.8.5 Envuelva el cable que está envuelto con la cinta adhesiva impermeable con el cable eléctrico. aislante cinta.



3.8.6 Envolver el cable eso es envuelto con el eléctrico aislante cinta con cinta adhesiva impermeable. La cinta adhesiva impermeable debe ser 10 mm más largo que el eléctrico aislante cinta en ambos extremos. Antes de envolver, el agua La cinta de prueba debe ser estirado fuera 1-vez su longitud y seguir el uso normal.



3.8.7 Inmersión el unión de el cable en agua durante 12 horas. Pruebe la resistencia del aislamiento. de el cable con a 500 V megóhmetro. El frío aislamiento resistencia debería ser No menos que 50 MQ

3.9 El La tubería de suministro deberá ser compatible con el agua salida (la especificación se seleccionará en función de la tabla de parámetros de rendimiento). Por ejemplo, el alambre de hierro o abrazadera poder ser usado a Conectar con suave Tubos de suministro; los atornillados La articulación se puede utilizar para acero tuberías de suministro para Más fiable

Conexión. Además, las cuerdas de roscar se utilizan en el mango. en caso que el flotadores de cuerda en el agua. Las cuerdas atadas de la bomba eléctrica de elevación deben ser firmes y duraderas. cable pauta deber no ser estirado pero en a natural perder estado.

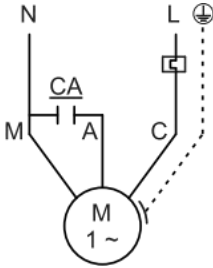


- 3.10 El cables son no Permitido para impacto y aplastamiento o usado como levantamiento cuerdas. Además , haz no jalar los cables al azar durante el funcionamiento para que a evitar eléctrico choque causado por taxi daño.
- 3.11 La profundidad de la electricidad bomba En el agua deber no ser encima 80 metros pero 3 m arriba el Abajo.Piel  
allí, el eléctrico bomba deber no ser hundido en suelos.Mientras tanto, la usuario ¿ deberás ? prevenir miscelánea a bloquear redes o impulsores,porque Se dirigirá a anormal funciona porfavor Revisalo agua nivel durante obras a evitar expuesto o trabajos secos,o demás va a quemar el eléctrico máquina y otro regiones
- 3.12 Durante uso,lavado,natación o Animales son no permitido dentro laboral regiones.Las seguridad advertencia etiqueta "eléctrica" choque riesgo,no entrada"deberá ser colocar arriba en el sitio a prevenir accidentes.
- 3.13 El lleno de aceite eléctrico máquina tiene Se ha presentado ante comida apropiada máquina aceite al tiempo  
de ex-fábrica.El usuarios son no permitido a lleno en cualquier agua o aceite en el eléctrico máquina ( excepto mantenimiento ).
- 3.14 El sistema eléctrico lleno de aceite máquina está lleno de alimento máquina aceite eso puede ser filtrado cuando él es  
dañado o avería.bajo el usar aplicaciones semejante como plantación, cultivo o el transporte y tratamiento de agua potable y comida,etc.,la comida filtrada máquina aceite puede causa ciertos daños a plantas y culto Animales o contaminar beber agua o comida.El El usuario deberá evaluar el usar ambiente también como relacionado consecuencia antes Seleccionando esto producto entonces Asto confirmar es  
adecuado utilizar.Si necesario por favor invitar alguno relacionado profesional personal.Si hay tiene comida  
máquina aceite Fuga, por favor detener usando y trato con él adecuadamente
- 3.15 El La fuente de energía deberá ser cortar en el tiempo de ajustando posición o contactando con eléctrico zapatillas En caso de cualquier accidente.El eléctrico bomba deber no ser levantado lejos de agua superficie antes de desviarse hacia abajo fuente de poder asi como a garantizar seguridad.
- 3.16 El eléctrico bomba pertenece a especializado Basado en tecnología producto.El no cualificado El reparador deberá no realizar ninguna Desmontar aleatoriamente.El sellado y prueba de aislamiento debe ser realizado después de estar en reposo y reensamblaje.
- 3.17 El El mantenimiento se realizará en instalaciones eléctricas. zapatillas después 3.000 horas normal Operación.El mantenimiento deberá ser conducido en electricidad zapatillas después 3.000 horas normal Operación.Varios  
piezas que se dañan fácilmente, como las mecánicas sello, cojinete, impulsor y entonces en debe ser reemplazado.El aire prueba de presión debe se llevar a cabo el motor y aceite cámaras después acostado o cambio mecánico sello.La prueba presión es 0,4 Mpa.No habrá Fuga en cinco minutos.
- 3.18 El La bomba deberá no Estar hundido en el agua para A largo plazo no uso. En cambio, el bomba deber ser poner en El agua clara para varios minutos de funcionamiento para que limpio

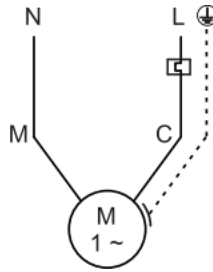
lodo y otro Sucia adentro y afuera del bomba. Además, la antioxidante aceite deber ser saburral en el bomba, entonces él deber ser poner en a seco y ventilado lugar. El eléctrico bomba con bastante A largo plazo usar deber ser repintado o tratado por antioxidante aceite de acuerdo a es superficie corrosión estado.

# WIRING DIAGRAM

Single phase with capacitor connection demonstration



Single phase with built-in capacitor connection demonstration



## TECHNICAL DATA

Modelo	Voltaje	Producción Fuerza	Max.flow	Cabeza máx.	Cable de alimentación longitud	Salida tamaño	Bomba diámetro
3SDM2/21	230 V/50 Hz	0,55 kW	50 litros por minuto	89 millones	20 metros	1"	82 mm
3SDM4/16	230 V/50 Hz	0,75 kW	100 litros por minuto	66 millones	20 metros	1,25"	82 mm
3.5SDM4/11	230 V/50 Hz	0,75 kW	105 litros por minuto	62 m	20 metros	1,25"	95 mm
4SDM4/6	230 V/50 Hz	0,37 kW	110 litros por minuto	44 millones	20 metros	1,25"	102 mm
4SDM8/9	230 V/50 Hz	1,1 kW	190 litros por minuto	57 m	20 metros	2"	102 mm

Modelo	Voltaje	Producción Fuerza	Max.flow	Cabeza máx.	Cable de alimentación longitud	Salida tamaño	Bomba diámetro
4SSM4/5-1	115 V/60 Hz	0,37 kW	105 litros por minuto	51 m	10 metros	1,25"	102 mm
4SSM4/5-2	230 V/60 Hz						
4SSM5/6-1	115 V/60 Hz	0,75 kW	140 l/min	63 m	10 metros	1,25"	102 mm
4SSM5/6-2	230 V/60 Hz						
4SSM5/8-1	115 V/60 Hz	1,1 kW	140 l/min	84 m			

4SSM5/8-2	230 V/60 Hz				10 metros	1,25"	102 mm
4SSM5/12-2	230 V/60 Hz	1,5 kW	140 l/min	130 metros	10 metros	1,25"	102 mm
4SSM5/18-2	230 V/60 Hz	2,2 kW	140 l/min	195 metros	10 metros	1,25"	102 mm

## TECHNICAL DATA

Modelo	Voltaje	Producción Fuerza	Caudal máximo	Cabeza máx.	Cable de alimentación longitud	Salida tamaño	Bomba diámetro
4SDM3/7	230 V / 50 Hz	370 Yo	5.3 m <sup>3</sup> /h	50 metros	9m	1,25"	102 mm
4SDM4/10	230 V / 50 Hz	750 W	7,1 m <sup>3</sup> /h	75 metros	9m	1,25"	102 mm
4SDM4/14	230 V / 50 Hz	1100 W	7,1 m <sup>3</sup> /h	105 metros	19 m	1,25"	102 mm
4SDM6/15	230 V / 50 Hz	1500W	9,8 m <sup>3</sup> /h	108 m	9m	1,5"	102 mm
4SDM6/20	230 V / 50 Hz	2200 W	9,8 m <sup>3</sup> /h	144 m	9m	1,5"	102 mm

Nota:

- 1.El máximo La temperatura del líquido debe ser 35°C .
- 2.El máximo Valor de la cabeza ¿Cuál es el valor de la prueba de laboratorio? el estado de flujo cero. En el uso real proceso, el actual dato un testamento ser Ligeramente diferente debido al impacto del ambiente.

# FAILURE REASONS AND TROUBLESHOOTING METHOD

Falla fenómeno	Razones	Soluciones
Motor: fuera de operación	<ol style="list-style-type: none"> <li>1. Demasiado bajo voltaje dirige to failed start-up;</li> <li>2. Impulsor o estator atascado y rotor;</li> <li>3. Apagado</li> <li>4. Las líneas de soldadura de condensador y protector f todos off or to be burnt;</li> <li>5. Bobinado del estator quemado o abierto . circuito.</li> </ol>	<ol style="list-style-type: none"> <li>1. Use a voltage regulator for further ajuste;</li> <li>2. Despegue La válvula de entrada de agua para limpiar tapones de impulsores así como limo de cubierta a prueba de arena;</li> <li>3. Verifique las causas y luego tome las medidas necesarias. medidas correspondientes;</li> <li>4. Vuelva a soldar los cables que caen o cámbielos. damaged parts;</li> <li>5. Enviar a la unidad de mantenimiento a reemplazar o reparar bobinados.</li> </ol>
Sin agua o No suficiente agua cantidad	<ol style="list-style-type: none"> <li>1. Demasiado Bajo voltaje dirige No es suficiente rotación o cantidad de agua reducida;</li> <li>2. Demasiado alto levanta eso tiene bomba eléctrica excedida capacidad de elevación;</li> <li>3. El colador o impulsor es obstruido</li> <li>4. Desgaste grave de los impulsores;</li> <li>5. Circuito abierto del devanado del estator.</li> </ol>	<ol style="list-style-type: none"> <li>1. Ajustar el voltaje;</li> <li>2. Disminuir la elevación o comprar otro eléctrico bombear según la situación práctica;</li> <li>3. Limpiar artículos diversos bloqueados;</li> <li>4. Cambie el impulsor o enviar Es para unidad de mantenimiento;</li> <li>5. Envíalo a mantenimiento unidad f o further repair.</li> </ol>
Frecuentemente trabajó protectores	<ol style="list-style-type: none"> <li>1. Demasiado Bajo voltaje dirige a una mayor corriente y motor serio calefacción;</li> <li>2. Demasiado bajo elevar conduce a aumento del drenaje de agua y sobrecarga motora grave;</li> <li>3. Desgaste anormal de los rotores o parts;</li> <li>4. La bomba eléctrica es expuesto por encima del agua o operado en un dry environment;</li> <li>5. Sellado dañado; agua inflow of machine winding;</li> <li>6. Desgaste grave de los cojinetes ( ruidos) ruido) y aumentó la fuerza de fricción.</li> </ol>	<ol style="list-style-type: none"> <li>1. Ajustar el voltaje;</li> <li>2. Utilice alambre de hierro para Agua estrecha outlet so as to reduce outflow;</li> <li>3. Adjust or replace parts;</li> <li>4. Reducir la altura de instalación;</li> <li>5. Replace sealing element and dry la máquina eléctrica;</li> <li>6. Reemplazar cojinete.</li> </ol>



**Eliminación:** Este producto está sujeto a las disposiciones de la legislación europea. Directiva 2012/ 19/CE.  
El símbolo que muestra un contenedor de basura tachado indica que el producto requiere la recogida selectiva de residuos en el Unión Europea. Esto se aplica a la producto y todos los accesorios marcados con este símbolo. Productos marcados como semejante puede  
No debe desecharse con la basura doméstica normal, sino debe ser llevado a cobro revertido  
Punto de reciclaje de aparatos eléctricos y electrónicos.

**VEVOR<sup>®</sup>**

HERRAMIENTAS RESISTENTES, MEDIO PRECIO

**Soporte técnico y Despotricando  
sobre la guerra electrónica**



**Certificado**  
**[www.vevor.com/support](http://www.vevor.com/support)**

# VEVOR®

TOUGH TOOLS, HALF PRICE

Wsparcie techniczne i Certyfikat gwarancji  
elektronicznej  
[www.vevor.com/support](http://www.vevor.com/support)

## SUBMERSIBLE PUMP FOR DEEP-WELL OPERATION MANUAL

Nadal jesteśmy zaangażowani w zapewnianie Ty narzędzia z konkurencyjny  
cena.

"Ratować Połowa", "Połowa ceny" lub inne podobne wyrażenia używany przez  
nas tylko

przedstawia szacunkowe oszczędności, jakie możesz uzyskać skorzystać z  
kupując pewne narzędzia

z nas w porównaniu do główny szczyt marki i robi nie konieczne znaczy  
obejmuje wszystkie kategorie oferowanych narzędzi przez nas.

Jesteś uprzejmie przypominamy o konieczności dokładnego sprawdzenia  
podczas składania zamówienia jakiś zamówienie

z nami jeśli faktycznie oszczędzasz połowę W porównanie z ten szczyt  
główny

marki.



# SUBMERSIBLE PUMP FOR DEEP-WELL



**NEED HELP?CONTACT US!**

**Mieć pytania dotyczące produktu?Potrzebujesz wsparcia technicznego?Proszę o kontakt nas :**

**Wsparcie techniczne i Certyfikat gwarancji  
elektronicznej  
[www.vevor.com/support](http://www.vevor.com/support)**

Ten Jest ten oryginalny instrukcje, p  
dzierżawa Czytać Wszystko podręcznik instrukcje ostrożnie zanim  
operacyjny.

VEVOR zastrzega sobie prawo do jednoznacznej interpretacji naszej instrukcji obsługi. wygląd z  
ten produkt być Być

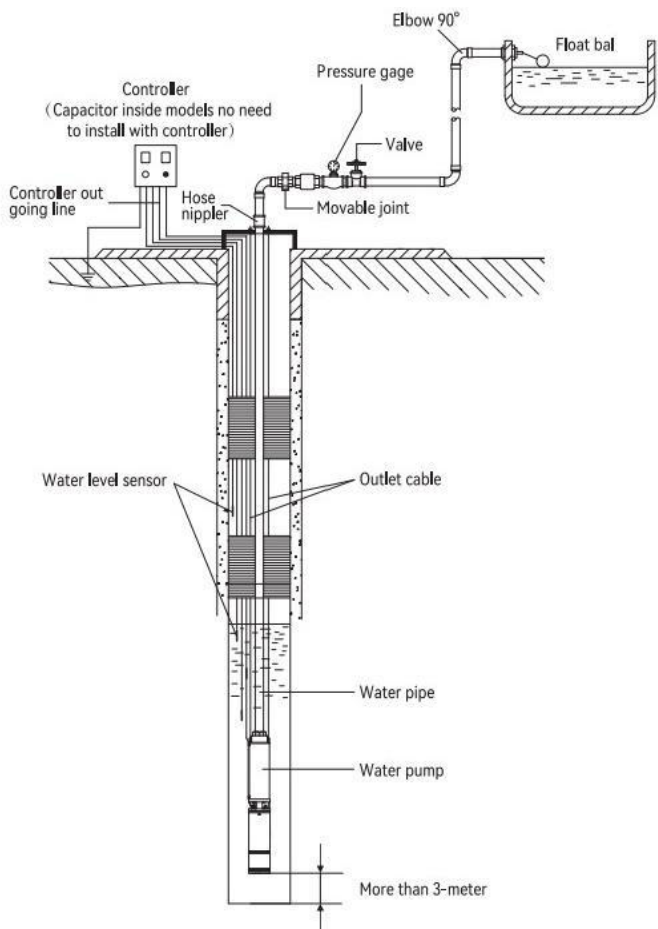
temat Do ten produkt Ty otrzymano. Proszę przebaczyć nas To My przyzwyczajenie poinformować Ty  
Ponownie Jeśli Tam Jest

jakakolwiek technologia Lub oprogramowanie Aktualizacje NA nasz produkt.

**Dziękujemy za zakup naszych pomp wodnych.  
Proszę przed użyciem należy uważnie przeczytać instrukcję  
obsługi używając.**

## **AWARNING**

- Ten niezawodny grunt musieć Być prowadzone zanim używając woda pompa. ziemia przeciek ochronny urządzenie Jak Dobrze Jak ten przeciążać Lub nadprądowy ochronny urządzenie musieć Być zainstalowany na wodzie pompa
- Pompa elektryczna nie jest dopuszczona do pracy na sucho
- Gdy pompa Jest W operacja, ludzie I zwierzęta być nie dotykać ten woda w pobliżu ten pompa.
- W zamówienie Do zapobiegać elektryczny szok, ten moc źródło być Być zamknąć wyłączony Na konserwacja I czyszczenie
- Wymiana moc sznurek, Typ Tak połączenie- Jeśli ten moc sznur Jest uszkodzony, to musieć Być rep sznurowany z A specjalny elastyczny sznur teraz specjalny część kupiony z jego producent Lub konserwacja dział.



Powyższa struktura instalacji jest przeznaczona dla Tylko w celach informacyjnych. Proszę zakup ten dopasowanie strony pokazano W postacię.

## INTRODUCTION

Ten głęboka studnia pompować woda narzędzie do podnoszenia na podstawie NA bezpośredni połączenie między elektryczny maszyna i woda pompa, która Jest odpowiedni Do pobieranie g podziemny woda z głęboko studnie,rzeki,zbiorniki I kanały itp w pewnym projektów. Ponadto, to produkt jest głównie używany Do ziemia uprawna nawadnianie Jak Dobrze Jak człowiek I zwierzę picie woda W plateau góra obszary.Więcej co ważne, głęboka studnia pompa może Być używany do wody dostarczać I wypisać W miasta, fabryki, koleje, kopalnie I budowa witryny

## USE CONDITION

2.1 Woltaż wahający się zakres być być  $\pm 10\%$  oceniony wartości

2.2 Temperatura wody nie może być wyższa niż  $+35\text{ }^{\circ}\text{C}$ .

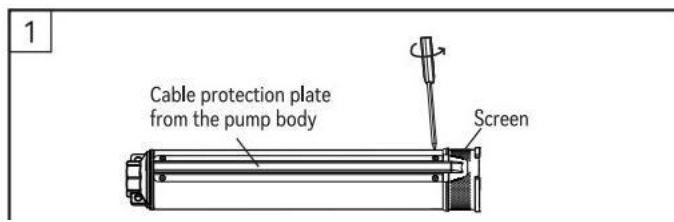
2.3. Wartość pH wody wynosi od 6.5 I 8.5 .

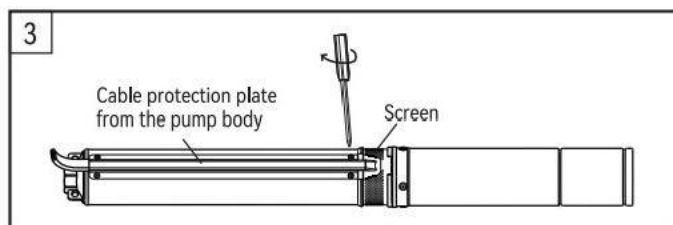
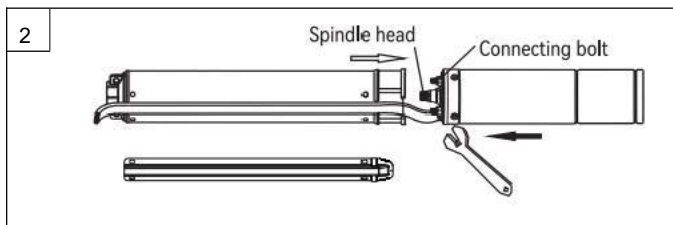
2.4 Zawartość substancji stałych w wodzie będzie nie Być większy niż 0,25% z ten maksymalny średnica nie nad 2,3 mm.



## INSTALLATION USE AND NOTICE

- 3.1 Proszę sprawdzić czy średnica wewnętrzna jest zgodna z minimalna średnica wody lakierki zanim kupowanie I instalowanie. Jeśli To Jest A nowy, cóż powietrze kompresor lub stara woda pompa być Być używany  
Do czysty rozmaitości I gleby. Następnie proszę sprawdzać czy ten woda jakość I temperatura odpowiadać Do używać warunki. Woda pompa Móc tylko Być zainstalowany na woda wewnątrz studnia w górę Do standard.
- 3.2 Proszę sprawdzić wiek uszkodzenia może być spowodowane w transporcie i przechowywanie proces Po rozpakowywanie ten pompa. Dla na przykład, czy kabel I wtyczka itp Czy nienaruszony; różne punkty Czy nie poluzowany i bez każdy wiek przecieku. Jeśli jest ma każdy proszę o uszkodzenie kontakt z profesjonalny personel Do naprawa Lub zastępować To
- 3.3 Podczas instalacja, proszę to naprawić elektryczny pompa i wtedy zainstaluj ziemia przeciek urządzenie ochronne lub przeciążenie lub przeciążenie prądowe ochronny urządzenie poprawnie. elektryczny pompa musieć Być połączony Do grunt niezawodnie.
- 3.4 Kiedy woda pompa osiąga niektórzy długość, silnik i pompa ciało potrzebować Do Być natłoczony osobno
- W sprawa z oddzielny pakowanie, po pierwsze usunąć ten filtr ekran I ten kabel ochrona płyta z ten pompa ciało (Rysunek 1), następnie umieścić pompa ciało NA on silnik Do robić ten wrzeczono głowa z wirnik płynnie slajd do ten sprzężanie, ręczne obracać ten sprzężanie Do sprawdzać jeśli pasuje Móc uruchomić normalnie, to śruba w górę ten złączony śruba (Rysunek 2) i w końcu zainstaluj ten filtr ekran I ten kabel ochrona płyta (Rysunek 3).





3.5 Zanim użyj, dokładnie przetestuj izolacyjność opór z elektroniczny lakierki uzwojenie stojana (w tym towarzyski (kabel)do ten pompa obudowa z A 500 V megaomierz i ten zimno w izolacji opór powinien Być NIE mniej niż 100 M.P.

3.6 Elektryczny pompa powinna być połączonym z ten moc źródło Do test działanie zanim wstępowanie do wody.Czas musi nie przekraczać 3 sekund . kabel kwestia wody jednofazowej pompa być być połączonym zgodnie z okablowaniem diagram na wybierz ric maszyna Lub kontrola gabinet rygorystycznie połączony poprzez właściwe kolory. Nieprawidłowe okablowanie spowoduje nienormalne I działa Lub nawet szkoda ten elektryczny maszyna;trójfazowa woda pompa Móc Być połączony bez różnicowanie kabel zabarwienie

3.7 Linia energetyczna może być dodano z raczej odległy moc dostawa.Proszę wybierać właściwy kabel kwestia według Do tabela Do unikać ten kabel zbyt cienki Do Być nieprawidłowy operacja na.

## 220-240 V~ 50/60 Hz

Pojedynczy Faza Silnik	Długość kabla/Powierzchnia przekroju poprzecznego przewodu (mm <sup>2</sup> )					
	0-15m	16-30m	31-45m	46-60m	61-75m	76-90m
kW						
0,25	0,75	0,75	0,75	0,75	1,0	1,25
0,37	0,75	0,75	0,75	1,0	1,25	1,25
0,55	0,75	0,75	1,0	1,25	1,25	1,5
0,75	0,75	1,0	1,25	1,25	1,5	1,5
0,92	1,0	1,25	1,25	1,5	1,5	2,0
1,1	1,0	1,25	1,5	1,5	2,0	2,0
1,5	1,25	1,5	2,0	2,0	2,5	2,5
1,8	1,5	2,0	2,0	2,5	2,5	3,0
2,2	1,5	2,0	2,5	2,5	3,0	4,0
2,6	2,0	2,5	2,5	3,0	4,0	4,0
3,0	2,0	2,5	3,0	4,0	4,0	5,0

## 115 V~ 60 Hz

Pojedynczy Faza Silnik	Długość kabla/Powierzchnia przekroju poprzecznego przewodu (mm <sup>2</sup> )					
	0-15m	16-30m	31-45m	46-60m	61-80m	81-100m
kW						
0,18	0,6	0,75	1,0	1,25	1,5	2,0
0,25	0,75	1,0	1,25	1,5	2,0	2,5
0,37	1,0	1,25	1,5	2,0	2,5	3,0
0,55	1,0	1,5	2,0	2,5	3,0	4,0
0,75	1,25	2,0	2,5	4,0	5,0	6,0
1,1	1,5	2,5	4,0	5,0	6,0	8,0
1,5	2,5	4,0	5,0	6,0	8,0	/

Aby wybrać wymagany obszar cięcia kabla według Do ten moc z pompa i długość zewnętrznego kabla, aby zapewnić normalna działanie z silnik.

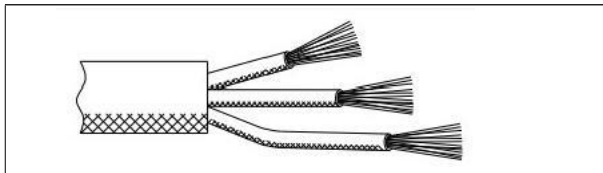


**OSTROŻNO**  
SC

To Jest niezbędny Do użytkownicy Do wybierać ten kabel średnica grubsza niż kable prowadzące podczas przedłużania kabla prowadzącego kable . specyficzny kabel średnica Jest szczegółowy W ten instrukcja .

3.8 Proszę postępować zgodnie z poniższymi instrukcjami dodawanie kabel kwestia:

3.8.1 Zdejmij izolację z kabla o szerokości 50-60 mm za pomocą drut striptizerka, a potem pas ten guma wąż gumowy Do ujawnić A 20-30mm  
drut miedziany



3.8.2 Dokręć dwie linie kablowe tego samego koloru do spirala kształt Więc Jak Do gwarancja zamknąć połączenie ;

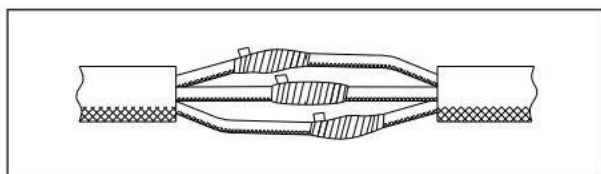


3.8.3 Mocno owinąć i owinąć kabel z ten elektryczny izolacyjny taśma z ten 15-20 mm rdzeń sznur.



3.8.4 Owiń kabel, który jest objęty z ten elektryczny izolujący taśma z A wodoodporny spoiwo taśma z rdzenia przewodu 20-30mm. Wodoodporna klejący taśma powinien Być 10mm dłużej niż ten

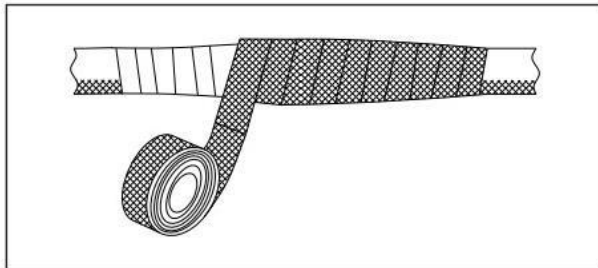
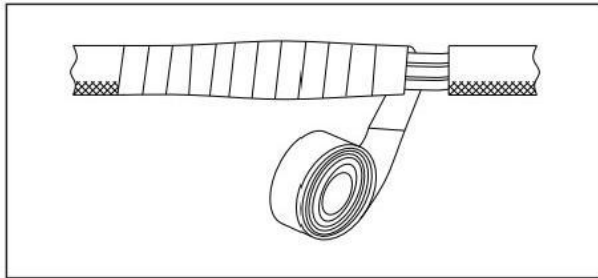
elektryczny izolacyjny taśma Na Zarówno kończy się.Przed ten pakowanie,taśma wodoodporna powinien Być rozciągnięty na zewnątrz 1-krotny jego długość I podążać ten normalna używać



3.8.5 Owiń kabel owinięty wodoodporną taśmą klejącą izolacją elektryczną. izolacyjny taśma.



3.8.6 Zawinąć kabel To Jest owinięty z ten elektryczny izolacyjny taśma z wodoodporną taśmą klejącą. Wodoodporna taśma klejąca powinna być o 10 mm dłuższy niż elektryczny izolacyjny taśma na obu końcach. Przed owinięciem woda taśma próbna powinna być rozciągnięty wyjmij 1-krotnie długość i podążać normalne użytkowanie .



3.8.7 Zanurz się ten węzeł z ten kabel do woda przez 12 godzin. Sprawdź rezystancję izolacji z ten kabel z A 500 V megaomierz. zimno izolacja opór powinien być NIE mniej niż 50 MQ

3.9 Ten rura doprowadzająca musi być dopasowana do ten woda wylot(ten specyfikacja należy wybrać na podstawie tabeli parametrów wydajnościowych). Na przykład drut żelazny lub zacisk Móc być używany Do połączyć się z miękkim rury doprowadzające; te przykręcane staw może być używany do stal rury doprowadzające Do dalej niezawodny połączenie. Ponadto liny ciągnące są używane przy uchwycie W przypadku, że pływaki linowe W ten woda. Liny podnoszące pompy elektryczne muszą być mocne i trwałe. kabel kwestia być nie być rozciągnięty Ale W A naturalny luźny państwo.

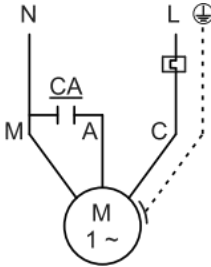
- 3.10 kable Czy nie dozwolone dla uderzenie I miażdżenie lub używany Jak podnoszenie liny.Dlatego nie ciągnąć kable losowo podczas pracy, tak aby Do unikać elektryczny zaszokować spowodowany przez kabel szkoda.
- 3.11 Głębokość elektryczności pompa w wodzie być nie Być nad 80m Ale 3m powyżej ten dół.Futro tam,ten elektryczny pompa być nie Być zatopiony do gleby. Tymczasem użytkownik być zapobiegać rozmaitości Do blok sieci Lub wirniki, ponieważ to będzie prowadzić Do nieprawidłowy działa. Proszę sprawdzić woda poziom podczas fabryka Do unikać narażony Lub prace suche, lub w przeciwnym razie to będzie oparzenie ten elektryczny maszyna I Inny strony
- 3.12 Podczas użytkowanie, pranie, pływania Lub zwierzęta Czy nie dozwolony w pracujący regiony. bezpieczeństwo ostrzeżenie etykieta „elektryczna” zaszokować ryzyko, nie „wpis”powinien Być ustawić w górę NA ten strona Do zapobiegać Wypadki.
- 3.13 wypełniony olejem elektryczny maszyna ma zostać złożony odpowiednie jedzenie maszyna olej w czas z ex-factory.The użytkownicy Czy nie dozwolony Do wypełnić W byle jaka woda Lub olej do ten elektryczny maszyna (z wyjątkiem konserwacja ).
- 3.14 Układ elektryczny wypełniony olejem maszyna jest wypełniony żywność maszyna olej To móc Być wyciekł Kiedy To Jest uszkodzony Lub awaria.Pod ten używać aplikacje taki Jak sadzenie, uprawa Lub ten transport I przetwarzanie wody pitnej i jedzenie itp. wyciekające jedzenie maszyna olej móc przyczyna pewne uszkodzenie rośliny I wykształcony zwierzęta Lub zanieczyścić picie wody lub jedzenia. użytkownik powinien oceniać ten używać środowisko również Jak powiązany konsekwencja zanim wybierając to produkt Więc asto potwierdzać jego właściwy użyj.Jeśli konieczne, proszę zapraszać Niektóre powiązany profesjonalny personel.Jeśli jest ma jedzenie maszyna olej wyciek, proszę zatrzymać się używając g I umowa z To odpowiednio
- 3.15 źródło zasilania powinno Być odciąć przy ten czas z naregulowanie pozycja Lub kontaktowanie się z elektryczny lakierni w razie wypadku.Elektryczne pompa być nie Być wzniesiony z dala z woda powierzchnia przed wyłączeniem moc tak Źródło tak Jak Do gwarancja bezpieczeństwo.
- 3.16 Ten elektryczny pompa należy do Specjalistyczny oparty na technologii Produkt. niewykwalifikowany fachowiec powinien nie przeprowadzać żadnych losowo rozmontować.Uszczelnienie I badanie izolacji musieć Być prowadzone po odpoczynku i ponowny montaż.
- 3.17 konserwacja będzie prowadzona na urządzeniach elektrycznych lakierni Po 3000 godziny normalna eksploatacja.Konserwacja powinna być prowadzonym elektrycznie lakierni Po 3000 godziny normalna operacja.Różne łatwo ulegające uszkodzeniu części, takie jak części mechaniczne uszczelka, łożysko, wirnik i Więc NA musieć Być zastąpiony. powietrze próba ciśnieniowa musieć być przeprowadzonym na silnik i olej kancelaria Po leżący Lub wymiana pieniędzy mechaniczny pieczęć.Test ciśnienie wynosi 0,4 Mpa. Nie powinno być wyciek w ciągu pięciu protokół.
- 3.18 pompa powinna nie zatonać do wody dla długofalowy nieużywane.Zamiast tego, pompa być Być umieścić W czysta woda dla kilku minut operacji, aby czysty błoto I Inny brudzi wewnątrz I

poza z pompa. Ponadto, antykorozyjny olej być pokryty NA ten pompa, następnie To być  
Być umieścić W A suchy I wentylowany miejsce. elektryczny pompa z raczej długofalowy używać  
być Być przemalowany Lub leczony przez  
antykorozyjny olej według jego powierzchnia korozja status.

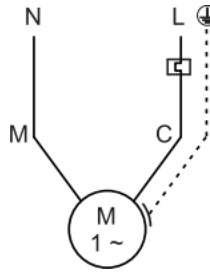


# WIRING DIAGRAM

Single phase with capacitor connection demonstration



Single phase with built-in capacitor connection demonstration



## TECHNICAL DATA

Model	Woltaż	Wyjście Moc	Max.flow	Maksymalna wysokość głowy	Przewód zasilający długość	Wylot rozmiar	Pompa średnica
3SDM2/21	230V/50Hz	0,55 kW	50 l/min	89 mln	20m	1"	82mm
3SDM4/16	230V/50Hz	0,75 kW	100 l/min	66 mln	20m	1,25"	82mm
3,5SDM4/11	230V/50Hz	0,75 kW	105 l/min	62m	20m	1,25"	95 mm
4SDM4/6	230V/50Hz	0,37 kW	110 l/min	44m	20m	1,25"	102mm
4SDM8/9	230V/50Hz	1,1 kW	190 l/min	57 mln	20m	2"	102mm

Model	Woltaż	Wyjście Moc	Max.flow	Maksymalna wysokość głowy	Przewód zasilający długość	Wylot rozmiar	Pompa średnica
4SSM4/5-1	115 V/60 Hz	0,37 kW	105 l/min	51m	10m	1,25"	102mm
4SSM4/5-2	230V/60Hz						
4SSM5/6-1	115 V/60 Hz	0,75 kW	140 l/min	63 mln	10m	1,25"	102mm
4SSM5/6-2	230V/60Hz						
4SSM5/8-1	115 V/60 Hz	1,1 kW	140 l/min	84 mln	10m	1,25"	102mm
4SSM5/8-2	230V/60Hz						

4SSM5/12-2	230V/60Hz	1,5 kW	140 l/min	130m	10m	1,25"	102mm
4SSM5/18-2	230V/60Hz	2,2 kW	140 l/min	195m	10m	1,25"	102mm

## TECHNICAL DATA

Model	Woltaż	Wyjście Moc	Maksymalny przepływ	Maksymalna wysokość głowy	Przewód zasilający długość	Wylot rozmiar	Pompa średnica
4SDM3/7	230V / 50Hz	370 W	5,3 m <sup>3</sup> /godz.	50m	9m	1,25"	102mm
4SDM4/10	230V / 50Hz	750 W	7,1 m <sup>3</sup> /godz.	75m	9m	1,25"	102mm
4SDM4/14	230V / 50Hz	1100 W	7,1 m <sup>3</sup> /godz.	105m	19m	1,25"	102mm
4SDM6/15	230V / 50Hz	1500 W	9,8 m <sup>3</sup> /godz.	108m	9m	1,5"	102mm
4SDM6/20	230V / 50Hz	2200 W	9,8 m <sup>3</sup> /godz.	144 mln	9m	1,5"	102mm

### Notatka:

1. Ten maksymalny temperatura cieczy powinna wynosić 35°C .
2. Ten maksymalny wartość głowy jaka jest wartość badania laboratoryjnego w ten stan zerowego przepływu. W rzeczywistym użyciu proces, rzeczywisty to jest wola Być nieznacznie różni się ze względu na wpływ z środowisko.

# FAILURE REASONS AND TROUBLESHOOTING METHOD

Wada zjawisko	Powody	Rozwiązania
Silnik: z działanie	<ol style="list-style-type: none"> <li>1. Za dużo niskie napięcie wskazówki to failed start-up;</li> <li>2. Zablokowany wirnik lub stojan i wirnik;</li> <li>3. Wyłączenie zasilania</li> <li>4. Linie spawalnicze z kondensator i zabezpieczenie f all off or to be burnt;</li> <li>5. Spalona lub otwarta uzwojenie stojana okrażenie.</li> </ol>	<ol style="list-style-type: none"> <li>1. Use a voltage regulator for further modyfikacja;</li> <li>2. Start zawór wlotowy wody do czyszczenia zatyczki wirników oraz muł z osłona chroniąca przed piaskiem;</li> <li>3. Sprawdź przyczyny i podejmij działania odpowiednie środki;</li> <li>4. Ponownie zespawaj lub zmień opadające przewody damaged parts;</li> <li>5. Wyślij do jednostki konserwacyjnej zastępować lub naprawy uzwojeń.</li> </ol>
Brak wody Lub NIE wystarczająco woda kwota	<ol style="list-style-type: none"> <li>1. Za dużo niskie napięcie wskazówki za mało obrót lub zmniejszona ilość wody;</li> <li>2. Za wysoko podnieś to ma przekroczona pompa elektryczna udźwig;</li> <li>3. Sitko lub wirnik jest zablokowany</li> <li>4. Poważne zużycie wirników;</li> <li>5. Otwarty obwód uzwojenia stojana.</li> </ol>	<ol style="list-style-type: none"> <li>1. Wyreguluj napięcie;</li> <li>2. Zmniejsz podnoszenie lub kup inny elektryczny pompować zgodnie z praktyczną sytuacją;</li> <li>3. Czyszczenie zablokowane drobiazgi;</li> <li>4. Zmień wirnik lub wysłać to do jednostka konserwacyjna;</li> <li>5. Wyślij do serwisu jednostka dla lub further repair.</li> </ol>
Często pracował Ochroniacze	<ol style="list-style-type: none"> <li>1. Za dużo niskie napięcie wskazówki do zwiększonego prądu i poważny silnik ogrzewanie;</li> <li>2. Za dużo Niski winda prowadzi do zwiększony drenaż wody i poważne przeciążenie motoryczne;</li> <li>3. Nieprawidłowe zużycie wirników lub parts;</li> <li>4. Pompa elektryczna Jest narażony nad wodą lub obsługiwany w dry environment;</li> <li>5. Uszkodzone uszczelnienie; woda inflow of machine winding;</li> <li>6. Poważne zużycie łożysk ( głośne hałas) i zwiększona siła tarcia jonowego.</li> </ol>	<ol style="list-style-type: none"> <li>1. Wyreguluj napięcie;</li> <li>2. Użyj drutu żelaznego do wąska woda outlet so as to reduce outflow;</li> <li>3. Adjust or replace parts;</li> <li>4. Zmniejsz wysokość instalacji;</li> <li>5. Replace sealing element and dry maszyna elektryczna;</li> <li>6. Zastępować łożysko.</li> </ol>



**Utylizacja:** Produkt ten podlega przepisom europejskim Dyrektywa 2012/ 19/WE. Symbol przedstawiający przekreślony pojemnik na śmieci na kółkach oznacza, że produkt wymaga oddzielnej zbiórki odpadów w Unia Europejska. Dotyczy to Produkt i wszystkie akcesoria oznaczone tym symbolem. Produkty oznaczone Jak taki nie należy wyrzucać razem ze zwykłymi odpadami domowymi, lecz zostać zabranym do zbiórki punkt recyklingu sprzętu elektrycznego i elektronicznego.

**VEVOR<sup>®</sup>**

TWARDE NARZĘDZIA, POŁOWA CENA

Wsparcie techniczne i E-wojna rant  
Certyfikat [www.vevor.com/support](http://www.vevor.com/support)

# VEVOR®

TOUGH TOOLS, HALF PRICE

Technische ondersteuning en E-garantie  
certificaat [www.vevor.com/support](http://www.vevor.com/support)

## SUBMERSIBLE PUMP FOR DEEP-WELL OPERATION MANUAL

Wij blijven ons inzetten om Jij hulpmiddelen met competitief prijs.

"Redden Half", "halve prijs" of andere soortgelijke uitdrukkingen gebruikt door ons alleen

geeft een schatting weer van de besparingen die u mogelijk kunt realiseren  
profiteren van bepaalde dingen kopen hulpmiddelen

met ons vergeleken met de grote top merken en doet niet noodzakelijkerwijs  
bedoelen met

alle categorieën aangeboden gereedschappen dekken door ons.

Jij bent vriendelijk herinnerd om zorgvuldig te controleren wanneer u een  
bestelling plaatst een volgorde

bij ons als je daadwerkelijk de helft spaart in vergelijking met de bovenkant  
belangrijk

merken.





# SUBMERSIBLE PUMP FOR DEEP-WELL



## NEED HELP?CONTACT US!

Hebben productvragen? Technische ondersteuning nodig? Neem gerust contact met ons op ons :

Technische ondersteuning en E-garantie  
certificaat [www.vevor.com/support](http://www.vevor.com/support)

Dit is de origineel instructies, alstublieft lezen alle handmatig instructies voorzichtig voor in werking.

VEVOR behoudt zich het recht voor om onze gebruikershandleiding op een duidelijke manier te interpreteren. verschijning van de product zullen zijn

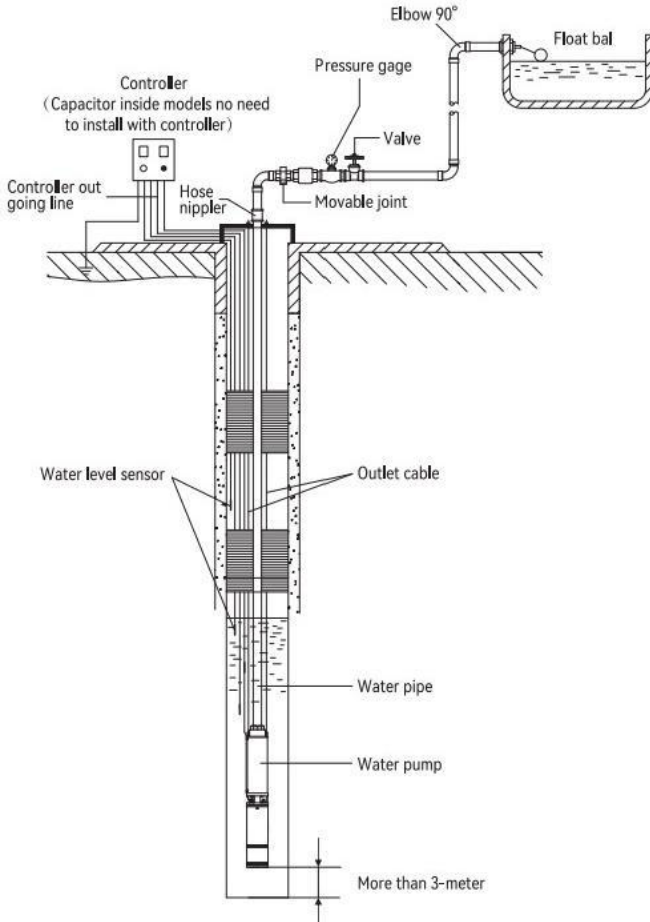
onderwerp naar de product Jij ontvangen. Gelieve vergeven ons Dat Wij zal niet informeren Jij opnieuw als daar is

elke technologie of software bijgewerkt op ons product.

**Bedankt voor het kopen van onze waterpompen .  
Alsjeblieft Lees de gebruiksaanwijzing zorgvuldig door voordat u  
gebruiken.**

## AWARNING

- De betrouwbaar aarding moeten zijn uitgevoerd voor gebruik makend van water pomp.De aarde lekkage beschermend apparaat als Goed als de overbelasting of overstroom beschermend apparaat moeten zijn geïnstalleerd op het water pomp
- De elektrische pomp is niet toegestaan voor drooglopen
- Wanneer depomp is in operatie,mensen En dieren zullen niet aanraken de water in de buurt van de pomp.
- In volgorde naar voorkomen elektrisch schok,de stroom bron zullen zijn dicht uit bij onderhoud En schoonmaak
- Vervanging stroom koord,Type Ik verbinding-Als de stroom koord is beschadigd,het moeten zijn rep geregen met A speciaal flexibele koord ora speciaal onderdeel gekocht van zijn fabrikant of onderhoud afdeling.



De bovenstaande installatiestructuur is voor Alleen ter referentie. Gelieve aankoop de overeenkomend onderdelen getoond in de figuur door jezelf.

## INTRODUCTION

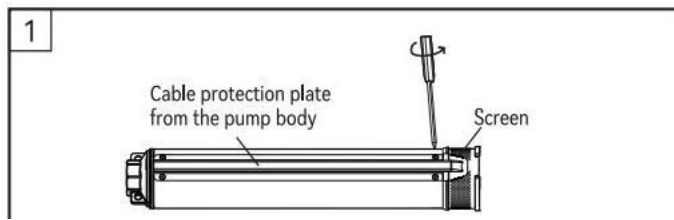
De diepe put pompen een water hefwerktuig gebaseerd op rechtstreeks verbinding tussen elektrisch machine en water pomp, die is geschikt voor ophalen g ondergronds water van diep putten, rivieren, reservoirs En kanalen enz insomnina projecten. Verder is dit product isvoornamelijk gebruikt voor landbouwgrond irrigatie als Goed als menselijk En dier drinken water in plateau berg gebieden. Meer Belangrijk is dat de diepe put pomp kan zijn gebruikt voor water levering En afvoer in steden, fabrieken, spoorwegen, mijnen En bouw locaties

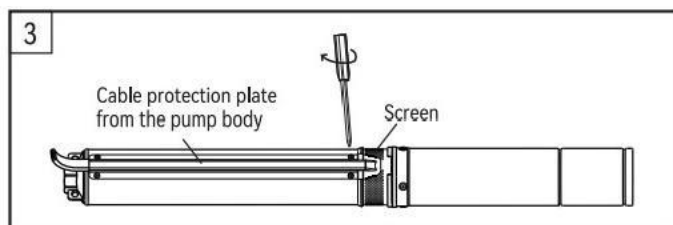
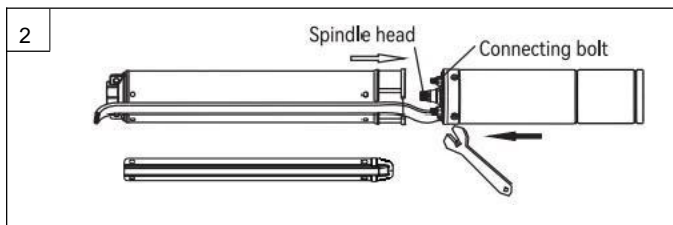
## USE CONDITION

- 2.1 Spanning fluctuerend bereik zullen zijn  $\pm 10\%$  van beoordeeld waarden
- 2.2 De watertemperatuur mag niet hoger dan  $+35\text{ }^{\circ}\text{C}$ .
- 2.3 De De pH-waarde van water ligt tussen 6.5 En 8.5.
- 2.4 De vaste inhoud in het water zal niet zijn groter dan 0,25% met de maximaal diameter niet over 2,3 mm.

## INSTALLATION USE AND NOTICE

- 3.1 Controleer of de binnendiameter overeenkomt met de minimale diameter van het water pompen voor kopen En installeren. Als Het is A nieuw wel, de lucht compressor of oud water pomp zullen zijn gebruikt naar schoon diversen En bodems . Daarna, alstublieft rekening of de water kwaliteit En temperatuur conform naar gebruik omstandigheden. Het water pomp kan alleen zijn geïnstalleerd op het water binnen de put omhoog naar standaard.
- 3.2 Controleer de schade die kan veroorzaakt worden in het transport en opslag proces na uitpakken de pomp. Voor bijvoorbeeld, of de kabel En plug enz Zijn intact; verschillende gewichten Zijn niet losgemaakt en zonder elk lek leeftijd. Als er heeft elk schade, alstublieft contact opnemen met professioneel personeel naar reparatie of vervangen Het
- 3.3 Tijdens installatie, repareer de elektrisch pomp en toen installeer de aarde lekkage beschermingsapparaat of de over-horen of over- stroom beschermend apparaat correct. De elektrisch pomp moeten zijn aangesloten naar grond betrouwbaar.
- 3.4 Wanneer het water pomp bereikt een zeker lengte, de motor en de pomp lichaam behoefte naar zijn verpakt afzonderlijk
- In geval van een verschillend inpakken, eerst verwijderen de filter scherm En de kabel bescherming bord van de pomp lichaam (Figuur 1), dan plaats de pomp lichaam op de motor naar maken de spindel hoofd van de rotor soepel glijbaan naar binnen de koppeling, handmatig draaien de koppeling naar rekening als het kan loop normaal gesproken dan schroef omhoog de verbinden bout (Figuur 2), en eindelijk installeren de filter scherm En de kabel bescherming bord (Figuur 3).





3.5 Voor gebruik, test de isolatie weerstand van de elektronisch pomp statorwikkeling (inbegrepen uitgaand kabel) naar de pomp behuizing met A 500V megohmmeter, en de koud in isolatie weerstand zou moeten zijn Nee minder dan 100 Meester.

3.6 De elektrische pomp zal verbonden zijn met de stroom bron voor proces operatie voor binnenkomen in het water. De tijd zal niet langer dan 3 seconden duren. De kabel lijnen van eenfasewater pomp zullen verbonden zijn volgens de bedrading diagram op de kies ric machine of controle kastje strikt aangesloten door de juiste kleuren. Een verkeerde bedrading zal ervoor zorgen abnormaal werk of zelfs schade de elektrisch machine; driefase water pomp kan zijn aangesloten zonder onderscheidend kabel kleuren

3.7 Een elektriciteitsleiding kan zijn toegevoegd met nogal ver weg stroom levering. Alstublieft selecteren juist kabel lijnen volgens naar tafel naar voorkomen de kabel te dun naar zijn abnormaal operatie .

## 220-240V~ 50/60Hz

Enkel Fase Motor	Kabellengte/dwarsdoorsnede van de geleider (mm <sup>2</sup> )					
	0-15m	16-30m	31-45m	46-60m	61-75m	76-90m
kW						
0,25	0,75	0,75	0,75	0,75	1.0	1.25
0,37	0,75	0,75	0,75	1.0	1.25	1.25
0,55	0,75	0,75	1.0	1.25	1.25	1.5
0,75	0,75	1.0	1.25	1.25	1.5	1.5
0,92	1.0	1.25	1.25	1.5	1.5	2.0
1.1	1.0	1.25	1.5	1.5	2.0	2.0
1.5	1.25	1.5	2.0	2.0	2.5	2.5
1.8	1.5	2.0	2.0	2.5	2.5	3.0
2.2	1.5	2.0	2.5	2.5	3.0	4.0
2.6	2.0	2.5	2.5	3.0	4.0	4.0
3.0	2.0	2.5	3.0	4.0	4.0	5.0

## 115V~ 60Hz

Enkel Fase Motor	Kabellengte/dwarsdoorsnede van de geleider (mm <sup>2</sup> )					
	0-15m	16-30m	31-45m	46-60m	61-80m	81-100m
kW						
0,18	0,6	0,75	1.0	1.25	1.5	2.0
0,25	0,75	1.0	1.25	1.5	2.0	2.5
0,37	1.0	1.25	1.5	2.0	2.5	3.0
0,55	1.0	1.5	2.0	2.5	3.0	4.0
0,75	1.25	2.0	2.5	4.0	5.0	6.0
1.1	1.5	2.5	4.0	5.0	6.0	8.0
1.5	2.5	4.0	5.0	6.0	8.0	/

Om het vereiste snijgebied van de kabel te kiezen volgens naar de stroom van pomp

en de lengte van de externe kabel om ervoor te zorgen dat normaal operatie van motor.



**VOORZICHT  
IGHEID**

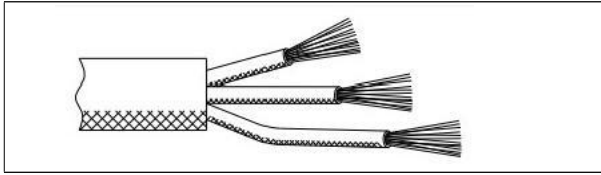
Het is nodig voor gebruikers naar kiezen de kabel diameter dikker dan de leidende kabels bij het verlengen van de leidende kabels . De specifiek kabel diameter is gedetailleerd in de handmatig .



3.8 Volg onderstaande instructies voor: toevoegen kabel lijnen:

3.8.1 Strip een kabel van 50-60 mm met een draad stripper, toen strip de rubber slang naar onthullen A 20-30mm

koperdraad



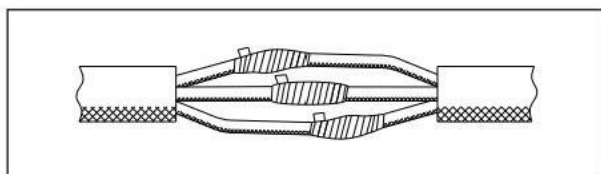
3.8.2 Twee kabellijnen met dezelfde kleur vastdraaien naar binnen spiraal vorm Dus als naar garantie dichtbij verbinding ;



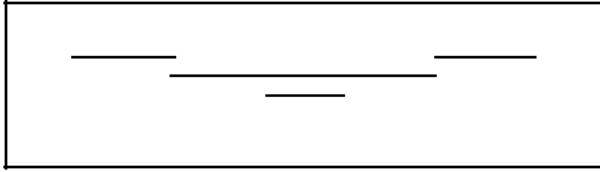
3.8.3 De kabel strak opwinden en afdekken met de elektrisch isolerend plakband van de 15-20mm kern koord.



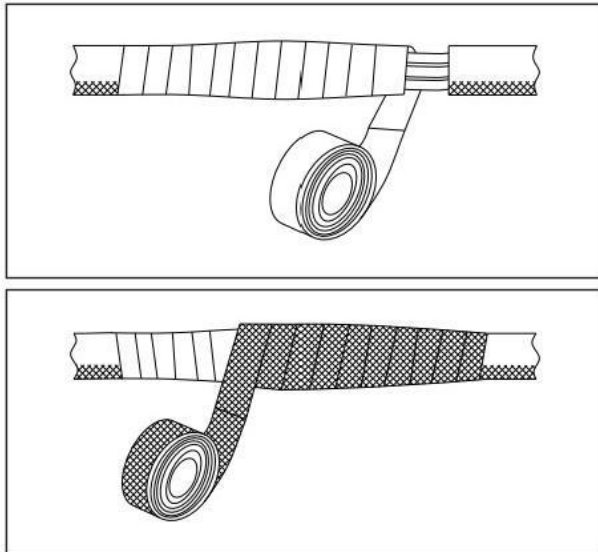
3.8.4 Wikkel de kabel die is bedekt met de elektrisch isolerend plakband met A waterdicht kleefstof tape van het 20-30mm kernkoord. De waterdichte klevend plakband zou moeten zijn 10mm langer dan de elektrisch isolerend plakband bij beide eindigt. Voor de inpakken, de waterdicht tape zou moeten zijn uitgerekt uit 1-voudig zijn lengte En volgen de normaal gebruik



3.8.5 Wikkel de kabel die is omwikkeld met de waterdichte plakband met de elektrische isolerend plakband.



3.8.6 Wikkel de kabel Dat is ingepakt met de elektrisch isolerend plakband met de waterdichte plakband. De waterdichte plakband moet 10 mm langer zijn dan de elektrische isolerend plakband aan beide uiteinden. Voordat het inpakken begint, wordt het water bewijstape zou moeten zijn uitgerekt uit 1-voudig zijn lengte En volgen het normale gebruik .



3.8.7 Onderdompelen de knooppunt van de kabel in water gedurende 12 uur. Test de isolatieweerstand van de kabel met A 500V megohmmeter. De koud isolatie weerstand zou moeten zijn Nee minder dan 50 MQ

3.9 De De aanvoerleiding moet worden afgestemd op de water uitlaat (de specificatie wordt geselecteerd op basis van de prestatieparametertabel). Bijvoorbeeld het ijzerdraad of klem kan zijn gebruikt naar verbinden met zacht aanvoerleidingen; de geschroefde gewricht kan worden gebruikt voor staal leveringsleidingen voor verder betrouwbaar

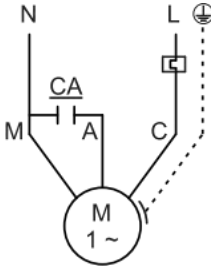
verbinding. Verder worden de rijgkabels gebruikt bij de handgreep in geval dat de touw drijft in de water. De vastgebonden touwen van de hijs-elektrische pomp moeten stevig en duurzaam zijn. kabel lijnen zullen niet zijn uitgerekt Maar in A natuurlijk loszittend staat.

- 3.10 De kabels Zijn niet toegestaan voor invloed En verpletteren of gebruikt als opheffen touwen. Verder , doe niet trekken de kabels willekeurig tijdens de werking zodat naar voorkomen elektrisch schok veroorzaakt door cabine le schade.
- 3.11 De diepte van elektrisch pomp in het water zullen niet zijn over 80m Maar 3m boven de onderkant. Bont  
daar, de elektrisch pomp zullen niet zijn gezonken naar binnen bodems. Ondertussen is de gebruiker zullen voorkomen diversen naar blok netten of waaiers, omdat het zal leiden naar abnormaal werkt. Alstublieft controleer de water niveau tijdens werken naar voorkomen blootgesteld of droge werken, of anders het zal brandwond de elektrisch machine En ander onderdelen
- 3.12 Tijdens gebruik, wassen, zwemmen of dieren Zijn niet toegestaan binnenin werkend regio's. De veiligheid waarschuwing label "elektrisch" schok risico, nee "toegang" zal zijn set omhoog op de plaats naar voorkomen ongelukken.
- 3.13 De olie gevuld elektrisch machine heeft ingediend bij geschikt voedsel machine olie bij de tijd van af-fabriek. De gebruikers Zijn niet toegestaan naar vol in enig water of olie naar binnen de elektrisch machine (behalve voor onderhoud ).
- 3.14 De met olie gevulde elektrische machine is gevuld met voedsel machine olie Dat kunnen zijn gelekt wanneer Het is  
beschadigd of afbraak. Onder de gebruik toepassingen zo een als planten, cultiveren of de transport En verwerking van drinkwater en eten, enz., de gelekt voedsel machine olie kunnen oorzaak bepaalde schade aan planten En gecultiveerd dieren of vervuilen drinkwater of voedsel. De gebruiker zal evalueren de gebruik omgeving ook als verwant gevolg voor dit selecteren product Dus asto bevestigen zijn  
juist gebruik. Als noodzakelijk, alstublieft uitnodiging sommige verwant professioneel personeel. Als er heeft eten  
machine olie lekkage, alstublieft stop met behulp van g En overeenkomst met Het op de juiste manier
- 3.15 De stroombron zal zijn afgesneden bij de tijd van aanpassen positie of contact opnemen met elektrisch pompen in geval van ongelukken. De elektrische pomp zullen niet zijn opgeheven weg van water oppervlak voor het afslaan kracht zo urch zo als naar garantie veiligheid.
- 3.16 De elektrisch pomp behoort tot gespecialiseerd technologie-gebaseerd product. Het ongekwalificeerd reparateur zal geen enkele willekeurig demonteren. De afdichting En isolatietesten moeten zijn uitgevoerd na opgelegd en hermontage.
- 3.17 De onderhoud moet worden uitgevoerd aan elektrische pompen na 3.000 uren normaal werking. Het onderhoud zal worden uitgevoerd op elektrische pompen na 3.000 uren normaal operatie. Diverse  
gemakkelijk beschadigde onderdelen zoals mechanische afdichting, lager, waaier en Dus op moeten zijn vervangen. De lucht druktest moeten worden uitgevoerd op motor en olie kamers na opgelegd of veranderen mechanisch zegel. De test druk is 0,4 Mpa. Er zal geen lekkage binnen vijf notulen.

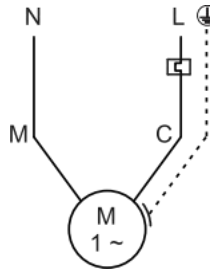
3.18 De pomp zal niet gezonken zijn in het water voor lange termijn niet gebruiken. In plaats daarvan, de pomp zullen zijn neerzetten in het heldere water voor meerdere minuten van de operatie om schoon modder En ander vuiligheid binnen En buiten van de pomp. Verder is de anti-roest olie zullen zijn gecoat op de pomp, dan Het zullen zijn neerzetten in A droog En geventileerd plaats. De elektrische pomp met liever lange termijn gebruik zullen zijn opnieuw geschilderd of behandeld door anti-roest olie volgens zijn oppervlak corrosie toestand.

# WIRING DIAGRAM

Single phase with capacitor connection demonstration



Single phase with built-in capacitor connection demonstration



## TECHNICAL DATA

Model	Spanning	Uitvoer r Stroom	Max.flow	Max. hoofd	Stroomkab el lengte	Uitlaa t maat	Pomp diameter
3SDM2/21	230V/50Hz	0,55 kW	50L/min	89m	20m	1"	82mm
3SDM4/16	230V/50Hz	0,75 kW	100L/min	66m	20m	1,25"	82mm
3.5SDM4/11	230V/50Hz	0,75 kW	105L/min	62m	20m	1,25"	95mm
4SDM4/6	230V/50Hz	0,37 kW	110L/min	44m	20m	1,25"	102mm
4SDM8/9	230V/50Hz	1,1 kW	190L/min	57m	20m	2"	102mm

Model	Spanning	Uitvoer r Stroom	Max.flow	Max. hoofd	Stroomkab el lengte	Uitlaa t maat	Pomp diameter
4SSM4/5-1	115V/60Hz	0,37 kW	105L/min	51m	10m	1,25"	102mm
4SSM4/5-2	230V/60Hz						
4SSM5/6-1	115V/60Hz	0,75 kW	140L/min	63m	10m	1,25"	102mm
4SSM5/6-2	230V/60Hz						
4SSM5/8-1	115V/60Hz	1,1 kW	140L/min	84m	10m	1,25"	102mm
4SSM5/8-2	230V/60Hz						
4SSM5/12-2	230V/60Hz	1,5 kW	140L/min	130m	10m	1,25"	102mm

4SSM5/18-2	230V/60Hz	2,2 kW	140L/min	195m	10m	1,25"	102mm
------------	-----------	--------	----------	------	-----	-------	-------



## TECHNICAL DATA

Model	Spanning	Uitvoer Stroom	Max.stroom	Max. hoofd	Stroomkabel lengte	Uitlaat maat	Pomp diameter
4SDM3/7	230V / 50Hz	370 W	5.3 m <sup>3</sup> /uur	50m	9m	1,25"	102mm
4SDM4/10	230V / 50Hz	750W	7,1 m <sup>3</sup> /u	75m	9m	1,25"	102mm
4SDM4/14	230V / 50Hz	1100W	7,1 m <sup>3</sup> /u	105m	19m	1,25"	102mm
4SDM6/15	230V / 50Hz	1500W	9,8m <sup>3</sup> /u	108m	9m	1,5"	102mm
4SDM6/20	230V / 50Hz	2200W	9,8m <sup>3</sup> /u	144m	9m	1,5"	102mm

### Opmerking:

1. De maximaal vloeistoftemperatuur moet 35°C zijn .
2. De maximaal hoofdwaarde is de waarde van de laboratoriumtest in de nulstroomtoestand. In het werkelijke gebruik proces, de actueel dat een testament zijn iets anders door de impact van de omgeving.

# FAILURE REASONS AND TROUBLESHOOTING METHOD

Schuld fenomeen	Redenen	Oplossingen
Motor: uit operatie	<ol style="list-style-type: none"> <li>1. Te veel laagspanning leidt to failed start-up;</li> <li>2. Vastgelopen waaier of stator en rotor;</li> <li>3. Uitschakelen</li> <li>4. De laslijnen van condensator en beschermer van alles off or to be burnt;</li> <li>5. Verbrande statorwikkeling of open en circuit.</li> </ol>	<ol style="list-style-type: none"> <li>1. Use a voltage regulator for further aanpassing;</li> <li>2. Opstijgen de waterinlaatklep om schoon te maken stoppers van waaiers en slib van zandbestendige afdekking;</li> <li>3. Controleer de oorzaken en neem vervolgens de overeenkomstige maatregelen;</li> <li>4. Losvallende draden opnieuw lassen of vervangen damaged parts;</li> <li>5. Stuur naar de onderhoudseenheid om vervangen of wikkelingen repareren.</li> </ol>
Geen water of Nee genoeg water hoeveelheid	<ol style="list-style-type: none"> <li>1. Te veel lage spanning leidt niet genoeg rotatie of verminderde hoeveelheid water;</li> <li>2. Te hoog til dat op heeft overschreed de elektrische pomp hefvermogen;</li> <li>3. De zeef of waaier is geblokkeerd</li> <li>4. Ernstige slijtage van de waaiers;</li> <li>5. Open circuit van statorwikkeling.</li> </ol>	<ol style="list-style-type: none"> <li>1. Pas de spanning aan;</li> <li>2. Lift verlagen of kopen een andere elektrisch pomp volgens de praktische situatie;</li> <li>3. Schoonmaken geblokkeerde diversen;</li> <li>4. Vervang de waaier of versturen het naar onderhoudseenheid;</li> <li>5. Stuur het naar onderhoud eenheid f of further repair.</li> </ol>
Vaak gewerkt beschermers	<ol style="list-style-type: none"> <li>1. Te veel lage spanning leidt naar verhoogde stroom en serieuze motor verwarming;</li> <li>2. Te veel laag tillen leidt tot verhoogde waterafvoer en ernstige motoroverbelasting;</li> <li>3. Abnormale slijtage van de rotoren of parts;</li> <li>4. De elektrische pomp is blootgesteld boven water of bediend in een dry environment;</li> <li>5. Beschadigde afdichting; water inflow of machine winding;</li> <li>6. Ernstige lagerslijtage ( luid lawaai) en verhoogde wrijvingskracht .</li> </ol>	<ol style="list-style-type: none"> <li>1. Pas de spanning aan;</li> <li>2. Gebruik ijzerdraad om smal water outlet so as to reduce outflow;</li> <li>3. Adjust or replace parts;</li> <li>4. Verlaag de installatiehoogte;</li> <li>5. Replace sealing element and dry de elektrische machine;</li> <li>6. Vervangen handelswijze.</li> </ol>



**Verwijdering:** Dit product is onderworpen aan de bepalingen van de Europese Richtlijn 2012/ 19/EG.

Het symbool met een doorgestreepte afvalbak geeft aan dat het product vereist gescheiden afvalinzameling in de Europese Unie. Dit geldt voor de product en alle accessoires die met dit symbool zijn gemarkeerd. Producten gemarkeerd als zo een kunnen niet bij het normale huisvuil weggegooid worden, maar moeten naar een inzameling worden gebracht punt voor het recycelen van elektrische en elektronische apparaten.

**VEVOR<sup>®</sup>**

**STERKE GEREEDSCHAPPEN, HALF PRIJS**

**Technische ondersteuning en E-  
War-ranty Certificaat**

**[www.vevor.com/support](http://www.vevor.com/support)**

# VEVOR®

TOUGH TOOLS, HALF PRICE

Teknisk support och E-garanticertifikat  
[www.vevor.com/support](http://www.vevor.com/support)

## SUBMERSIBLE PUMP FOR DEEP-WELL OPERATION MANUAL

Vi fortsätter att vara engagerade i att tillhandahålla du verktyg med konkurrenskraftig pris.

"Spara Halva, "Halva Priset" eller andra liknande uttryck begagnad av oss endast

representerar en uppskattning av dina besparingar dra nytta av köpa vissa verktyg

med oss jämfört med stor topp varumärken och gör inte nödvändigtvis jag vill täcka alla kategorier av verktyg som erbjuds av oss.

Du är vänligt påminns om att verifiera noggrant när du placerar en beställa med oss om du faktiskt sparar hälften i jämförelse med de bästa större varumärken.



# SUBMERSIBLE PUMP FOR DEEP-WELL



**NEED HELP?CONTACT US!**

**Ha produktfrågor?Behöver du teknisk support? Kontakta gärna oss :**

**Teknisk support och E-garanticertifikat  
[www.vevor.com/support](http://www.vevor.com/support)**

Detta är de original instruktioner, p leasing läsa alla manuell instruktioner försiktigt före fungerar.

VEVOR reserverar sig för en tydlig tolkning av vår användarmanual utseende av de produkt skall vara

ämne till de produkt du mottagen. Snälla förlåta oss att vi vana informera du igen om det är någon teknik eller programvara uppdateringar på vår produkt.

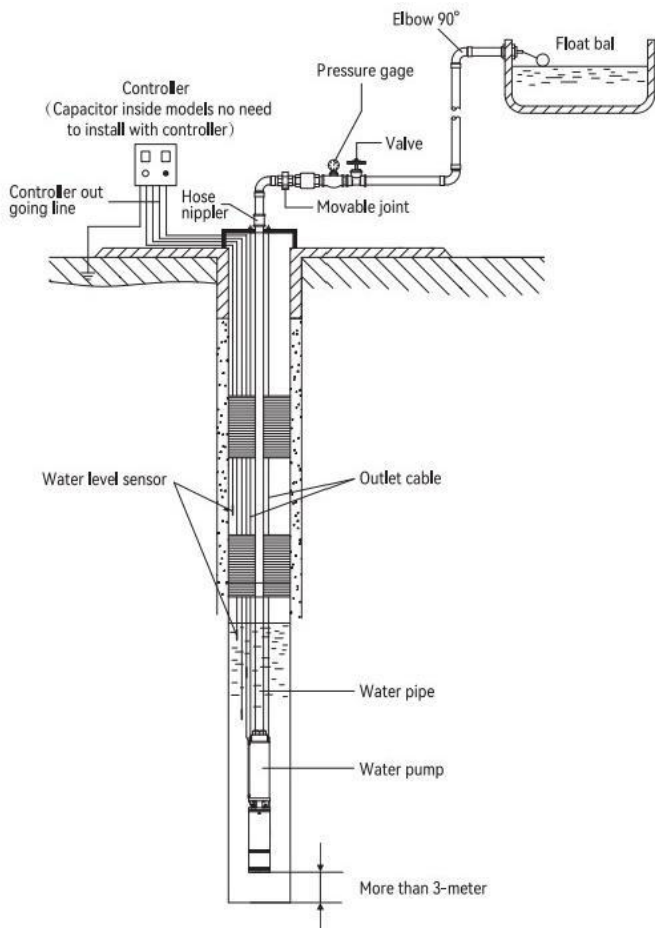




**Tack för att du köpte våra vattenpumpar .  
Behaga läs bruksanvisningen noggrant innan använder.**

## **AWARNING**

- De pålitlig grundstötning måste vara genomfördes före använder vatten pump. The jord h läckage skyddande anordning som väl som de överbelastning eller överström skyddande anordning måste vara installerat på vattnet p ump
- Den elektriska pumpen är inte lämpad för torrkörning
- När pumpen är i operation, människor och djur skall inte röra de vad är nära de pump.
- I beställa till förhindra elektrisk chock, den driva källa skall vara stänga av på underhåll och rengöring
- Ersättning driva sladd, Typ Y anslutning- Om de driva sladd är skadad, den måste vara rep spetsad med a särskild flexibel sladd ora särskild komponent köpt från dess tillverkare eller underhåll avdelning.



Ovanstående installationsstruktur är för referens endast. Vänligen köp de motsvarande delar som visas i figuren genom själv.

## INTRODUCTION

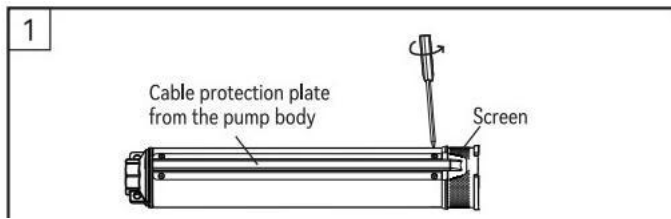
De djupt väl pumpis ett vatten lyftverktyg baserad på direkt förbindelse mellan elektrisk maskin och vatten pump, som är lämplig för hämta g underground- vatten från djup brunnar, floder, reservoarer och kanaler etc insom projekt. Vidare detta produkt är huvudsakligen begagnad för jordbruksmark bevattning som tja som mänsklig och djur drickande vatten i platå fjäll områden. Mer viktigare, den d eep-well pumpburk vara begagnad för vatten tillhandahålla och ansvarsfrihet i städer, fabriker, järnvägar, gruvor och konstruktion webbplatser

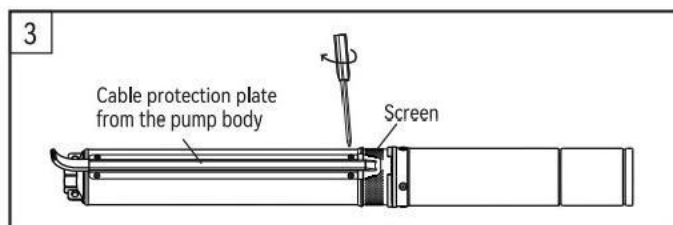
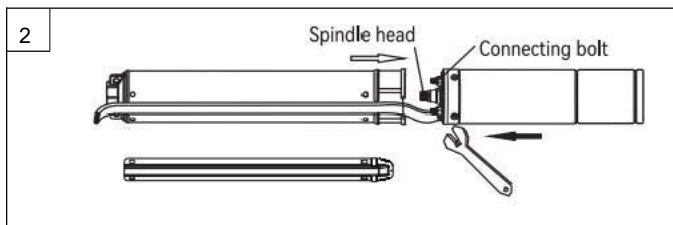
## USE CONDITION

- 2.1 Spänning fluktuerande räckvidd skall vara  $\pm 10\%$  av betygsatt värden
- 2.2 Vattentemperaturen ska inte vara högre än  $+35\text{ }^{\circ}\text{C}$ .
- 2.3 Den PH-värdet för vatten är mellan 6.5 och 8.5.
- 2.4 Det fasta innehållet i vattnet ska inte vara större än 0,25% med de maximal diameter inte över 2,3 mm.

## INSTALLATION USE AND NOTICE

- 3.1 Kontrollera om innerdiametern överensstämmer med minsta vattendiameter pumps före uppköp och installerar. Om det är a nya väl, den luft kompressor eller gammalt vatten pump skall vara du sed till rena diverse och jordar. Efter det, snälla kontrollera om de vatten kvalitet och temperatur anpassa till använda förhållanden. Vattnet pump burk endast vara installerat till vattnet i nside brunnen upp till standard.
- 3.2 Vänligen kontrollera skadan det kan orsakas i transporten och förvaring behandla efter uppackning de pump. För till exempel om kabel och plugg etc är intakt; diversej salvor är inte lossnat och utan några läckageålder. Om det finns har några skada, snälla kontakt med professionell personal till reparera eller ersätta det
- 3.3 Under installation, vänligen fixa elektrisk pump och sedan installera jorden läckage skyddsanordning eller överhöra eller överström skyddande anordning korrekt elektrisk pump måste vara ansluten till jord tillförlitligt.
- 3.4 När vattnet pump når a viss längd, den motor och pump kropp behov till vara packad separat
- In fall av en separat packning, för det första ta bort de filtrera skärm och de kabel skydd tallrik f rom de pump kropp (Figur 1), sedan placera pump kropp på t han motor till göra de axel huvud av rotor mjukt glida till de koppling, manuellt rotera de koppling till kontrollera ifft burk sikt normalt då skruva upp de ansluta bult (Figur 2), och äntligen installera de filtrera skärm och de kabel skydd tallrik (Figur 3).





3.5 Före använd, testa noggrant isolering motstånd av elektronisk pumps statorlindning (inklusive utgående kabel) till de pump hölje med a 500V megohmmeter och de kall i isolering motstånd bör vara inga mindre än 100 MQ.

3.6 Den elektriska pump ska vara kopplad till de driva källa för rättgång drift före går in i vatten. Tiden ska inte överstiga 3 sekunder. De kabel rader av enfasvatten pump skall vara ansluten enligt kabeldragningen diagram på välj ric maskin eller kontrollera skåp strikt ansluten med korrekta färger. Fel ledningar kommer att orsaka onormalt fungerar eller även skada de elektrisk maskin; trefas vatten pump burk vara ansluten utan differentiera kabel färger

3.7 En kraftledning kan vara tillagd med ganska avläggset driva snälla välja rätt kabel rader enligt till tabell till undvika de kabel för tunn till vara onormal operation .

## 220-240V~ 50/60Hz

Enda Fas Motor	Kabellängd/ ledarens tvärsnittsarea ( mm <sup>2</sup> )					
	0-15m	16-30m	31-45m	46-60m	61-75m	76-90m
kW						
0,25	0,75	0,75	0,75	0,75	1,0	1,25
0,37	0,75	0,75	0,75	1,0	1,25	1,25
0,55	0,75	0,75	1,0	1,25	1,25	1,5
0,75	0,75	1,0	1,25	1,25	1,5	1,5
0,92	1,0	1,25	1,25	1,5	1,5	2,0
1,1	1,0	1,25	1,5	1,5	2,0	2,0
1,5	1,25	1,5	2,0	2,0	2,5	2,5
1,8	1,5	2,0	2,0	2,5	2,5	3,0
2,2	1,5	2,0	2,5	2,5	3,0	4,0
2,6	2,0	2,5	2,5	3,0	4,0	4,0
3,0	2,0	2,5	3,0	4,0	4,0	5,0

## 115V~60Hz

Enda Fas Motor	ledarens tvärsnittsarea ( mm <sup>2</sup> )					
	0-15m	16-30m	31-45m	46-60m	61-80m	81-100m
kW						
0,18	0,6	0,75	1,0	1,25	1,5	2,0
0,25	0,75	1,0	1,25	1,5	2,0	2,5
0,37	1,0	1,25	1,5	2,0	2,5	3,0
0,55	1,0	1,5	2,0	2,5	3,0	4,0
0,75	1,25	2,0	2,5	4,0	5,0	6,0
1,1	1,5	2,5	4,0	5,0	6,0	8,0
1,5	2,5	4,0	5,0	6,0	8,0	/

För att välja önskad skärning ett stycke kabel enligt till de driva av pump och längden på extern kabel för att säkerställa normal drift av motor.



**FÖRSIKTIG  
HET**

Det är nödvändig för användare till välja de kabel diameter tjockare än de ledande kablarna när ledningen förlängs kablar . De specifik kabel diameter är detaljerad i de manual .

3.8 Vänligen följ instruktionerna nedan för lägga till kabel rader:

3.8.1 Skala av en 50-60mm kabel med en tråd strippa alltså remsa de gummi slang till avslöja a 20-30 mm

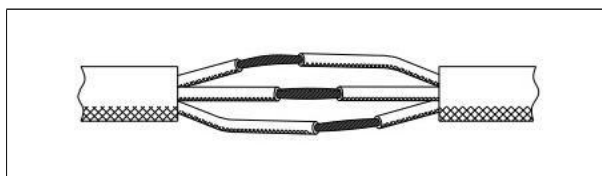
koppartråd



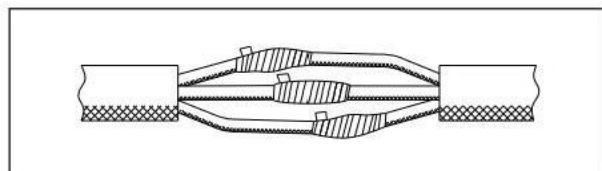
3.8.2 Dra åt två kabelledningar med samma färg till spiral form så som till garanti nära anslutning ;



3.8.3 Linda och täck kabeln hårt med th de elektrisk isolerande tejsa från de 15-20 mm kärna sladd.



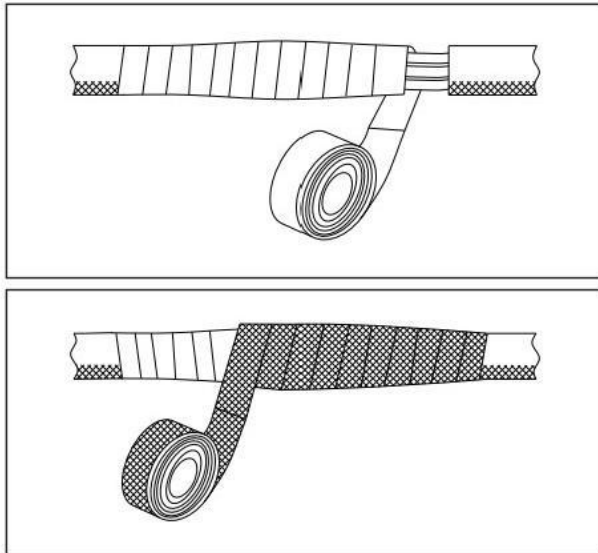
3.8.4 Linda in kabeln som är täckt med de elektrisk isolering tejsa med a vattentät lim tejp från 20-30 mm kärns ladd. Den vattentäta adh esiv tejsa skall vara 10 mm längre än de elektrisk isolerande tejsa på både slutar. Före de omslag, den vattentäta tejsen skall vara sträckt ut 1-faldigt dess längd och följa de normal använda



3.8.5 Linda in kabeln som är lindad med den vattentäta tappen med den elektriska isolerande tejsa.



3.8.6 Wrap the cable that is wrapped with the electrical insulation tape with the waterproof tape. The waterproof self-adhesive tape should be 10 mm longer than the electrical insulation tape at both ends. The waterproof tape before wrapping should be stretched to 1.5 times its length and follow the normal use.



3.8.7 Lowering the cable in water for 12 hours. Test the insulation resistance of the cable with a 500V megohmmeter. The insulation resistance shall be no less than 50 MQ.

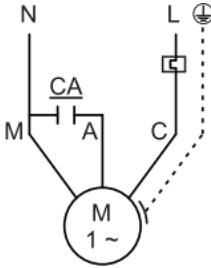
3.9 The supply pipe should be adapted to the water outlet (the specification should be selected based on the performance parameter table). For example, the iron wire or the clamp can be used to connect the soft supply pipe; the screw cap can be used for the steel supply pipe for further reliable connection. In addition, the hangers should be used at the hand grip in case the pipe floats in the water. The binding lines to the lifting electrical pump must be fixed and the cable should not be stretched but in a natural loose state.

- 3.10 Den kablar är inte tillåts för inverkan och krossning eller begagnad som lyft rep. Längre där, gör inte dra kablarna slumpmässigt vid drift så som till undvika elektrisk chock orsakade av cable skada.
- 3.11 Djupet av elektrisk pump i vattnet skall inte vara över 80m men 3m ovan de botten.Påls där, den elektrisk pump skall inte vara sänkt till jordar. Under tiden användare ska I förhindra diverse till blockera nät eller pumphjul, eftersom det kommer att läsas till onormal fungerar. Snälla kolla vatten nivå under fabrik till undvika utsatt eller torra arbeten, eller annan det kommer bränna de elektrisk maskin och andra delar
- 3.12 Under användning, tvätt, simning eller djur är inte tillåten inom arbetssätt regioner.The säkerhet varning etikett "elektrisk chock risk, nej inträde"skall vara uppsättning upp på de plats till pr evenemang olyckor.
- 3.13 Den oljefylld elektrisk maskin har arkiverats hos lämplig mat maskin olja vid tid av ex-factory.The användare är inte tillåten till fl i något vatten eller olja till de elektrisk maskin (med undantag för underhåll ).
- 3.14 Den oljefyllda elektriska maskin är fylld med mat maskin olja att maj vara läckt när det är skadad eller sammanbrott.Under de använda applikationer sådan som plantering, odling eller de transporter och bearbetning av dricksvatten och mat osv läckt mat maskin olja maj orsaka viss skada på växter och odlade djur eller förorena dricksvatten eller mat användaren ska utvärdera de använda miljö likaså som släkt följd före väljer detta produkt så asto con fast dess rätt använd.Om nödvändigt, snälla bjuda några släkt professionell personal.Om det finns har mat maskin olja läckage, tack stopp använder g och handla med det ordentligt
- 3.15 Den strömkälla ska vara avskuren kl de tid av justeras placera eller kontakter med elektrisk pumps vid eventuella olyckor.Den elektriska pump skall inte vara lyfts bort från vatten ytan innan du växlar ner makt så urce så som till garanti säkerhet.
- 3.16 De elektrisk pump tillhör specialiserade teknikbaserad produkt.Den okvalificerad reparatör skall inte utföra någon slumpmässigt isär.Tätningen och isoleringsprovning måste vara genomfördes efter uppläggning och återmontering.
- 3.17 Den underhåll ska utföras på el pumps efter 3 000 timmar normal drift.Underhållet skall ska ledas på el pumps efter 3 000 timmar normal drift.Olika lätt skadade delar såsom mekaniska tätning, lager, pumphjul och så på måste vara ersatt.Den luft trycktest måste genomföras på motor och olja kammare efter upplagd eller skiftande mekanisk sigill.Testet tryck är 0,4 Mpa. Det ska inte finnas någon läckage inom fem minuter.
- 3.18 Den pump ska inte bli sänkt i vatten för långsiktig nonuse.Istället pump skall b e sätta i det klara vattnet för flera driftsminuter så att rena lera och andra smutsiga inuti och utanför av pump.Vidare, den rostskydd olja skall b e överdragen på de pump då det skall vara sätta i a torka och ventilerad plats elektrisk pump med snarare långsiktig använda skall vara målade om eller behandlas av rostskydd olja enligt dess yta korrosion status.

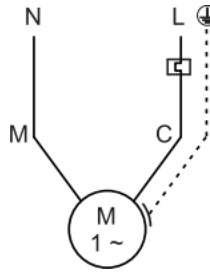


# WIRING DIAGRAM

Single phase with capacitor connection demonstration



Single phase with built-in capacitor connection demonstration



## TECHNICAL DATA

Modell	Spänning	Produktion Driva	Max.flow	Max.huvud	Nätssladd längd	Utlopp storlek	Pump diameter
3SDM2/21	230V/50Hz	0,55 kW	50 l/min	89m	20m	1"	82 mm
3SDM4/16	230V/50Hz	0,75 kW	100 l/min	66m	20m	1,25"	82 mm
3.5SDM4/11	230V/50Hz	0,75 kW	105 l/min	62m	20m	1,25"	95 mm
4SDM4/6	230V/50Hz	0,37 kW	110 l/min	44m	20m	1,25"	102 mm
4SDM8/9	230V/50Hz	1,1 kW	190 l/min	57m	20m	2"	102 mm

Modell	Spänning	Produktion Driva	Max.flow	Max.huvud	Nätssladd längd	Utlopp storlek	Pump diameter
4SSM4/5-1	115V/60Hz	0,37 kW	105 l/min	51m	10m	1,25"	102 mm
4SSM4/5-2	230V/60Hz						
4SSM5/6-1	115V/60Hz	0,75 kW	140 l/min	63m	10m	1,25"	102 mm
4SSM5/6-2	230V/60Hz						
4SSM5/8-1	115V/60Hz	1,1 kW	140 l/min	84m	10m	1,25"	102 mm
4SSM5/8-2	230V/60Hz						
4SSM5/12-2	230V/60Hz	1,5 kW	140 l/min	130m	10m	1,25"	102 mm

4SSM5/18-2	230V/60Hz	2,2kW	140 l/min	195m	10m	1,25"	102 mm
------------	-----------	-------	-----------	------	-----	-------	--------

## TECHNICAL DATA

Modell	Spänning	Produktion Driva	Max.flöde	Max.huvud	Nätsladd längd	Utlopp storlek	Pump diameter
4SDM3/7	230V / 50Hz	370 W	5,3 m <sup>3</sup> /h	50m	9m	1,25"	102 mm
4SDM4/10	230V / 50Hz	750W	7,1 m <sup>3</sup> /h	75m	9m	1,25"	102 mm
4SDM4/14	230V / 50Hz	1100W	7,1 m <sup>3</sup> /h	105m	19m	1,25"	102 mm
4SDM6/15	230V / 50Hz	1500W	9,8 m <sup>3</sup> /h	108m	9m	1,5"	102 mm
4SDM6/20	230V / 50Hz	2200W	9,8 m <sup>3</sup> /h	144m	9m	1,5"	102 mm

Notera:

1. Den maximal vätsketemperatur bör vara 35°C .
2. Den maximal huvudvärde är värdet av laborietestet i de nollflödestillstånd. I själva användningen process, den faktiska det är ett testamente vara något annorlunda på grund av påverkan av miljö.

# FAILURE REASONS AND TROUBLESHOOTING METHOD

Fel fenomen	Skäl	Lösningar
Motor: ut ur drift	<ol style="list-style-type: none"> <li>1. För mycket lågspänning ge leder to failed start-up;</li> <li>2. Fastnat pumphjul eller stator och rotor;</li> <li>3. Ström av</li> <li>4. Svetslinorna av kondensator och skydd för alla off or to be burnt;</li> <li>5. Bränd statorlindning eller öppen krets.</li> </ol>	<ol style="list-style-type: none"> <li>1. Use a voltage regulator for further justering;</li> <li>2. Start vatteninloppsventilen för att rengöra proppar av pumphjul samt silt av sandsäkert lock;</li> <li>3. Kontrollera orsakerna och ta sedan motsvarande åtgärder;</li> <li>4. Svetsa om fallande trådar eller byt damaged parts;</li> <li>5. Skicka till underhållsenhet till ersättess eller reparera lindningar.</li> </ol>
Inget vatten eller inga tillräckligt vatten belopp	<ol style="list-style-type: none"> <li>1. För mycket låg spänning leder till inte tillräckligt rotation eller minskad vattenmängd;</li> <li>2. För högt lyft det har överskred elpumpens lyftkapacitet;</li> <li>3. Silen eller impeller är blockerad</li> <li>4. Allvarligt slitage på pumphjul;</li> <li>5. Öppen krets för statorlindningen.</li> </ol>	<ol style="list-style-type: none"> <li>1. Justera spänningen;</li> <li>2. Minska lyftet eller köp en annan elektrisk pump enligt praktisk situation;</li> <li>3. Rengör blockerade diverse;</li> <li>4. Byt pumphjul eller skicka det till underhållsenhet;</li> <li>5. Skicka den till underhållsenhet för further repair.</li> </ol>
Ofta arbetad beskyddare	<ol style="list-style-type: none"> <li>1. För mycket låg spänning leder till ökad ström och seriös motor uppvärmning;</li> <li>2. För mycket låg lyfta leder till ökad vattenavrinning och allvarlig motoröverbelastning;</li> <li>3. Onormalt slitage på rotor eller parts;</li> <li>4. Den elektriska pumpen är utsatt ovan vatten eller drivs i en dry environment;</li> <li>5. Skadad tätning; vatten inflow of machine winding;</li> <li>6. Allvarligt lagerslitage ( för buller) och ökad friktionsjonkraft .</li> </ol>	<ol style="list-style-type: none"> <li>1. Justera spänningen;</li> <li>2. Använd järntråd för att smalt vatten outlet so as to reduce outflow;</li> <li>3. Adjust or replace parts;</li> <li>4. Minska installationshöjden;</li> <li>5. Replace sealing element and dry den elektriska maskinen;</li> <li>6. Ersätta lager.</li> </ol>



**Avfallshantering:** Denna produkt är föremål för bestämmelserna i europeisk Direktiv 2012/ 19/EG.

Symbolen som visar en soptunna på hjul korsad anger att produkten kräver separat sophämtning i Europeiska unionen. Detta gäller för produkten och alla tillbehör märkta med denna symbol. Produkter märkta som sådan  
■  
maj  
inte slängas tillsammans med vanligt hushållsavfall, men måste tas till uppbörd punkt för återvinning av elektriska och elektroniska apparater.

**VEVOR<sup>®</sup>**

HÅRA VERKTYG, HALV PRIS

Teknisk support och E-War-garanti  
Certifikat [www.vevor.com/support](http://www.vevor.com/support)