

VEVOR[®]

TOUGH TOOLS, HALF PRICE

Technical Support and E-Warranty Certificate
www.vevor.com/support

SWIMMING POOL PUMP

USR MANUAL

MODEL:HCP370-D

We continue to be committed to provide you tools with competitive price.

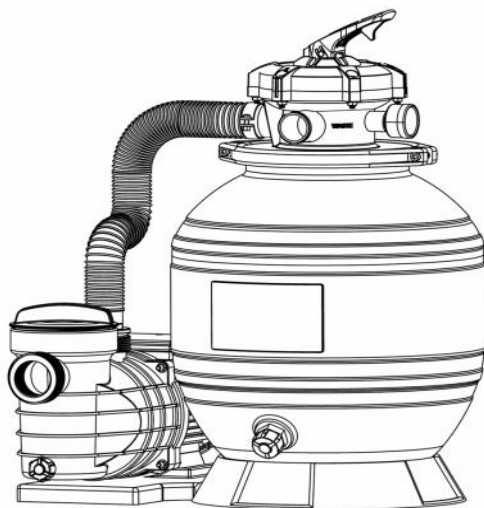
"Save Half", "Half Price" or any other similar expressions used by us only represents an estimate of savings you might benefit from buying certain tools with us compared to the major top brands and does not necessarily mean to cover all categories of tools offered by us. You are kindly reminded to verify carefully when you are placing an order with us if you are actually saving half in comparison with the top major brands.

VEVOR®

TOUGH TOOLS, HALF PRICE

SWIMMING POOL PUMP

MODEL:HCP370-D



NEED HELP? CONTACT US!

Have product questions? Need technical support? Please feel free to contact us:

Technical Support and E-Warranty Certificate

www.vevor.com/support

This is the original instruction, please read all manual instructions carefully before operating. VEVOR reserves a clear interpretation of our user manual. The appearance of the product shall be subject to the product you received. Please forgive us that we won't inform you again if there are any technology or software updates on our product.

IMPORTANT WARNING AND SAFETY

DANGER

SERIOUS BODILY INJURY OR DEATH CAN RESULT IF THIS SAND FILTER IS NOT INSTALLED AND USED CORRECTLY.

DANGER

INSTALLERS, POOL OPERATORS, AND POOL OWNERS MUST READ THESE WARNINGS AND ALL INSTRUCTIONS BEFORE USING THIS SAND FILTER.

WARNING

This sand filter is intended for use in swimming pool applications.

WARNING

Most states and local codes regulate the construction, installation, and operation of public pools and spas and the construction of residential pools and spas. It is important to comply with these codes, many of which directly regulate the installation and use of this product. Consult your local building and health codes for more information.

WARNING

Do not permit children to use or operate this sand filter.

Before installing this product, read and follow all warning notices and instructions in this Guide. Failure to follow warnings and instructions can result in severe injury, death, or property damage.

WARNING

BEFORE WORKING ON THE FILTER!

Air Release:

Press down the control valve handle to release the air.

NOTE: It is important to repeat this operation every time you start the pump after winterizing, maintenance, and backwashing.

⚠ CAUTION

Components such as the filtration system, pumps, and heater must be positioned so as to prevent being used as means of access to the pool by young children.

⚠ WARNING

Electrical ground all electrical equipment before connecting to the electrical power supply. Failure to ground all electrical equipment can cause a serious or fatal electrical shock hazard.

⚠ WARNING

To avoid dangerous or fatal electrical shock, turn OFF power to all electrical equipment before working on electrical connections.

⚠ CAUTION

This sand filter is for use with storable pools only. Do not use it with permanently installed pools. The storable pool is constructed so that it is capable of being readily disassembled for storage and reassembled to its original integrity. A permanently installed pool is constructed in or on the ground or in a building such that it cannot be readily disassembled for storage.



High Pressure from the Sand Filter can cause severe injury or major property damage due to tank separation.

Release all pressure and read instructions before working on the sand filter.

If the filter clamp is adjusted under pressure, the tank can

separate, causing serious injury or major property damage.



**RISK OF ELECTRICAL SHOCK OR ELECTROCUTION:
PUMPS REQUIRE HIGH VOLTAGE, WHICH CAN SHOCK, BURN, OR
CAUSE DEATH.**

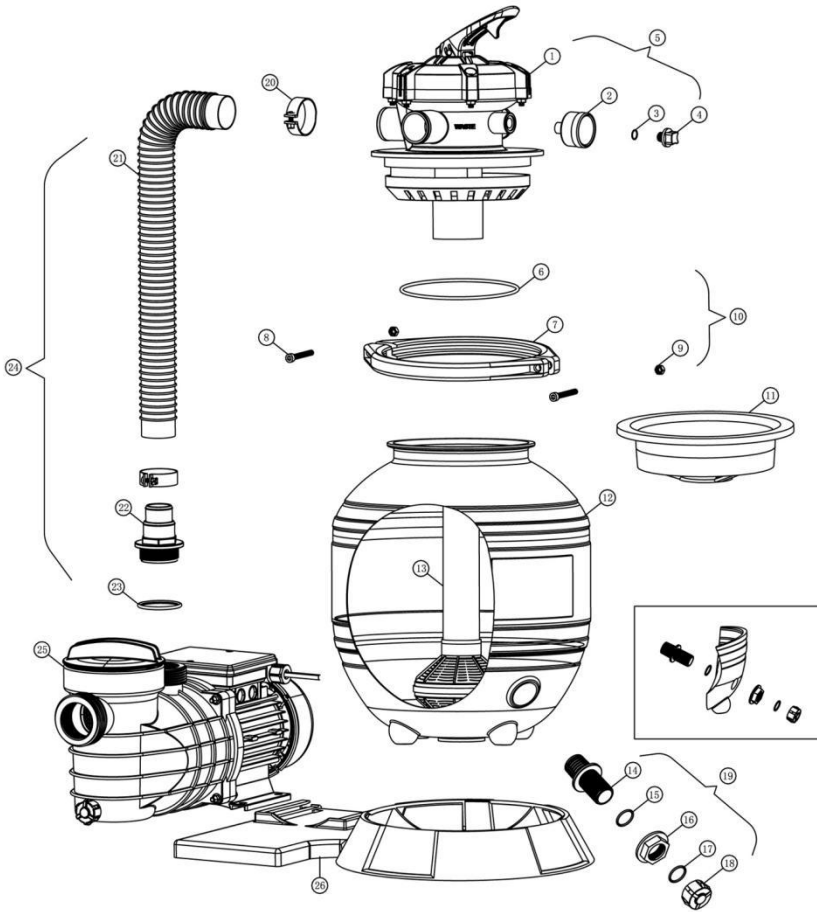
BEFORE WORKING ON THE PUMP!

Always disconnect power to the pool pump at the circuit breaker from the pump before servicing the pump. Failure to do so could result in death or serious injury to the service person, pool users, or others due to electric shock.



A pool or spa pump must be installed by a qualified pool and spa service professional in accordance with the National Electrical Code and all applicable local codes and ordinances. Improper installation may create an electrical hazard which could result in death or serious injury to pool users, installers, or others due to electrical shock and may also cause damage to property.

ASSEMBLY DIAGRAM



Number	Description	Qty
1	Valve 1-1/2in.5-way Clamp Style	1
2	Pressure Gauge	1
3	O-ring,plug	1
4	Plug,Pressure Gauge	1
5	Valve Assembly	1
6	O-ring,Valve	1

7	Flange Clamp	2
8	Screw	2
9	Nut	2
10	Clamp Assembly	1
11	Sand Shield	1
12	Filter Tank	1
13	Standpipe and Underdrain Assembly	1
14	Drain Spigot	1
15	O-ring,plug	1
16	Drain Nut	1
17	O-ring,plug	1
18	Drain Cap	1
19	Drain Kit	1
20	Hose Clamp	5
21	Pump to Filter Hose	1
22	Hose Adaptor	2
23	O-ring.Hose Adaptor	1
24	Pump to Filter Assembly	1
25	Pump	1
26	Pump Base	1

FILTER OVERVIEW

Your high-rate sand filter is designed to produce clear,sparkling water and operate for years with a minimum of maintenance when installed,operated and maintained in accordance with these instructions.

Your filter uses special filter sand to remove dirt particles from pool water. Filter sand is loaded into the filter tank and functions as the dirt-removing media.The pool water,which contains suspended dirt particles,is pumped through your piping system and is automatically directed by the filter control valve to the top of the filter tank.As the pool water is pumped through the filter sand,dirt particles are trapped by the sand bed and filtered out.The cleaned pool water flows from the bottom of the filter tank,up through the standpipe,and back to the valve on top of the filter where the clean water is returned to the pool through the piping or hoses.

After a period of time,the accumulated dirt in the filter causes a resistance to flow,and the flow diminishes.This means it is time to clean(backwash) your filter.With the control valve in the backwash position,the water flow is automatically reversed through the filter So that it is directed to the bottom of the tank,up through the sand flushing the previously trapped dirt and debris out of the waste line.Once the filter is back washed(cleaned)of dirt,the control valve is manually resequenced to Rinse and then Filter to resume normal filtering.

SPECIFICATIONS

PUMP	Model	HCP370-D
	Nominal voltage	AC220-240V,50Hz 450W
	Amp	2.1A
	Max.head	11 m
	Max.flow	13000L/H
	Protection class	IPX5
	Insulation class	F

Top Mount Filter	Filter Diameter	14”
	Effective filtration area	0.099 m ²
	Tank volume	29L
	Required media type	#20 silica sand
	Required media amount	26kg
	Max.Working pressure	35psi

INSTALLING THE FILTER

Read and understand all instructions before attempting to install,operate or maintain your pump and sand filter system.

1.Carefully remove all individual components from the carton and inspect for any visible damage.If the carton or parts are damaged,contact the seller or freight company.

⚠ WARNING

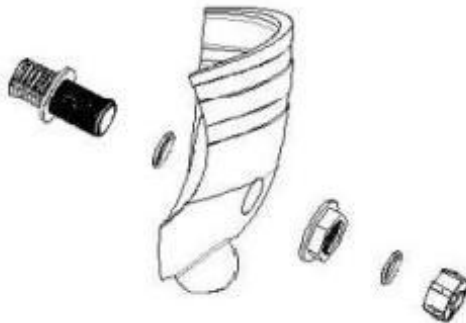
Blockage of suction fittings can cause serious or fatal injury due to drowning. To reduce the risk of injury, do not permit children to use

⚠ WARNING

Never work on the pump while it is running or power is still connected. High voltage can cause serious or fatal injury. A suitable ground fault interrupter (GFCI) should always be installed at the power supply source of this unit. Be sure to ground the motor before connecting it to the electrical AC power supply. Failure to ground the motor can cause a serious or fatal electrical shock hazard. **DO NOT** ground to a gas supply pipeline.

2. The filter system should be installed not more than 50cm above pool water level, on a level concrete slab, very firm ground, or equivalent, as recommended by your pool dealer. When the filter is filled with sand and water, it can weigh several hundred pounds. Position the filter so that the piping connections, control valve and winter drain is accessible for operation, service, and winterizing.

3. Assemble the drain to the lower outlet at the bottom of the filter tank. Make sure that the o-rings are correctly assembled to prevent water leakage. See the figure below.



4. Place the filter tank on the system base and rotate clockwise a little bit. Position the filter tank, so the winter drain faces the opposite direction of the pump.

5. Assemble the pump to the system base.

6. Place the standpipe and underdrain assembly in the center of the tank. Cap the standpipe with a sand shield to prevent sand from entering it. Fill the tank with about half-full water. (Be sure the winter drain cap is securely in place). Carefully pour in the correct amount and grade of filter sand (Be sure the standpipe remains centered in the opening).

 **IMPORTANT**

You must use only No.20 standard silica sand having a uniformity coefficient of 1.75 or less. No.20 silica sand has a particle size of .018-.022 inches (.45 to .55 mm).

Note: Sand is not included.

7. Remove the sand shield from the standpipe. Wash away all sand around the opening at the top of the tank. Be sure the top of the filter is free of any sand or debris and valve o-ring is in place on the valve body. Insert Filter Control Valve into the tank neck, taking care that the standpipe slips into the hole in the bottom of the valve.

8. Position the valve so that the port locations are in the desired final position. Valve ports are marked with the location of where they should be connected, i.e., the pump port must go to pump discharge, the waste port must go to the waste line, and the return port must go to the pool return.

9. Wipe the filter flange clean. Place the flange clamp around the tank and valve flange and assemble the screws and nuts with the hex key. Tighten clamp screws firmly and visually check the valve tank and clamp assembly to ensure that the joint is correctly assembled.

 **WARNING**

High Pressure:

Improper tank valve assembly could cause the valve to separate and cause serious injury and/or major property damage.

10. Wrap some Teflon pipe manufactured for the plastic pipe on the 14"NPT male end of the gauge. Carefully screw the pressure gauge into the 1/4"NPT tapped hole in the valve body. Do not over-tighten.

11. Screw the hose adaptors into the control valve port marked PUMP and pump discharge port. Wrap five turns of Teflon pipe on each hose adaptor. Connect the hose adaptors with a 1.5" hose and use a hose clamp to fix them.

12. Make a return to the pool pipe connection to the control valve opening marked RETURN and complete other necessary plumbing connections, waste lines, suction lines to pump, etc.

13. To prevent water leakage, be sure the winter drain cap is securely in place and all pipe connections are tight.

 **CAUTION**

KEEP SAFETY LABELS IN GOOD CONDITION AND REPLACE IF MISSING OR DAMAGED.

FILTER CONTROL VALVE FUNCTIONS

FILTER: From the pump, through the valve, downward through the filter sand bed, up through the center pipe to the valve return port, and back to the pool for normal filter action and vacuuming the pool through the filter.

BACKWASH: From the pump, through the valve, down through the center pipe, up through filter sand to the valve, and out waste port. This position is used for cleaning the filter by reversing flow.

RINSE: From the pump, through the valve, downward through filter sand, up through the center pipe to the valve, and out waste port. This position is

used for start-up cleaning and resettling the filter bed after backwashing.

WASTE:From the pump,through the valve,bypasses the filter and goes to the waste port.This position is for vacuuming directly to waste,lowering the pool level,or draining the pool.

CLOSE:NO FLOWIN THIS POSITION-DO NOT USE THIS SETTING WHILE THE PUMP IS OPERATING.

WINTER:Valve position for a winterized filter.

INITIAL START-UP

1.On a new pool,clean the pool before filling the pool with water.

Excessive dirt and large particles can cause damage to the pump and filter.

2.Ensure that all pool suction and WASTE lines are open so that water is free to flow from the pool to the WASTE line.Set the control valve to the BACKWASH position.

3.Check the valve clamp for tightness.

4.Check the pump strainer pot to be sure it is full of water(Ensure the hose is full of water if there is no strainer basket).Tighten the pump lid.

Prime and start the pump,allowing the filter tank to fill with water.



DO NOT DRY RUN THE SAND FILTER.

5.Once the water flow is steady out the WASTE line,run the pump for at least 2 minutes or until the backwash water is clean.This initial backwashing of the filter is recommended to remove any impurities of fine sand particles in the silica sand media.

6.Turn the pump off and set the valve to the“RINSE”position.Ensure that all pool suction and WASTE lines are open so that the water is free to flow

from the pool to the WASTE line. STAND CLEAR OF FILTER and start the pump.

7. Run the pump for at least two minutes.

8. Turn the pump off and set the valve to the "FILTER" position. Be sure that all pool suction and RETURN lines are open so that water is free to flow from and back to the pool. STAND CLEAR OF FILTER and start the pump.

9. The filter has now started its filtering cycle. You should ensure that water is returning to the pool and take note of the operating pressure when the filter is clean.

10. Check the system for water leaks. If a leak is found, shut the pump off before correcting the leak.

11. As the filter removes dirt and impurities from the pool water, the accumulation will cause the filter pressure to rise and flow to diminish. When the pressure gauge reading is 5-10 psi higher than the clean filter reading noted above, it is time to backwash the filter.

CLEANING

1. The filter on a new pool should be back-washed, and cleaned after approximately 48 hours of operation to clean out plaster dust and/or construction debris.

2. There are three different ways to identify when the filter needs backwashing.

· The most accurate indicator on pool systems with a flow meter is to

backwash when the flow decreases 30% from the original (clean filter) flow. For example, if the original flow was 10000L/H, the filter should be back-washed when the flow is reduced by about 3000L/H (or 30%)

·A more subjective and less accurate indicator is to observe the amount of water flowing from the flow directionals located in the wall of the pool.The filter should be back-washed once it is detected that the flow has been reduced.

·The most commonly used but less accurate indicator is to backwash when the filter gauge reading increases by 10 PSI over the initial(clean filter)reading.

3.It is important not to backwash the filter solely on a timed basis,such as every three days.It is also important to note that backwashing too frequently actually causes poor filtration.Factors like weather conditions, heavy rains,dust or pollen,and water temperatures all affect the frequency of backwash.As you use your pool,you will become aware of these influences.

4.To prevent damage to the pump and filter and for proper operation of the system,clean the pump strainer and skimmer baskets regularly.

5.If,at any time,the starting pressure after backwashing the filter indicates 4 to 6 PSI higher than the normal starting pressure,it is time to perform a chemical cleaning procedure.

FILTER BACKWASH PROCEDURE

1.Stop the pump.

WARNING

Always turn the pump off before changing valve positions.

Changing valve positions while the pump is running can damage the control valve,which may cause serious injury or property damage.

2.Ensure that the suction and WASTE lines are open so that water is free to come from the pool and flow out the WASTE line.Set the control valve to

the“BACKWASH”position.

3.STAND CLEAR OF FILTER and start the pump.

4.Backwash filter for approximately 3 to 5 minutes or until backwash water is clean

5.Stop the pump and set the valve to the“RINSE”position.

6.STAND CLEAR OF FILTER and start the pump.

7.Rinse the filter for approximately 30 seconds.

8.Stop the pump and set the valve to the“FILTER”position.

9.Ensure the pool RETURN line is open so that water may flow freely from the filter back to the pool.

10.STAND CLEAR OF FILTER and start the pump.

11.The filter has now started its filtering cycle.Verify the water is returning to the pool,and take note of the filter pressure when the filter is clean.

12.The filter pressure in Step 11 above should not exceed the pressure originally observed on the filter when it was initially started.If,after backwashing,the pressure is 4 to 6 psi above the start condition,it will be necessary to chemically clean the sand bed.

WINTERIZING YOUR FILTER

WARNING

Allowing water to freeze in the system will damage the system and cause potential water damage/flooding and potential property damage

In areas that have freezing winter temperatures,pool equipment must be winterized to protect against damage.

1.Backwash the sand filter.

2.After back washing,shut the pump off and move the handle of the valve to the WINTER position.

⚠ CAUTION

The multiport valve should be left in the “WINTER” position during the shutdown season. Failure to do so can damage the system, which can cause property damage from leaking water.

- 3. Remove the drain cap on the bottom of the filter tank and leave the cap off during winter. Completely drain the filter tank.
- 4. Drain and winterize the pump.
- 5. Drain all appropriate system piping.

WINTERIZING YOUR FILTER TROUBLESHOOTING

Pool water is not sufficiently clean.	<ul style="list-style-type: none">1. Pool chemistry is not adequate to inhibit algae growth.2. Improper amount or wrong sand size.3. Inadequate turnover rate.	<ul style="list-style-type: none">1. Maintain pool chemistry or consult a service technician.2. Check sand bed depth and sand size or consult a pool service technician.3. Run the system for a longer time or consult a dealer or pool service technician.
Control Valve leakage	<ul style="list-style-type: none">1. Control Valve is set between two functions.2. The gasket is broken.	<ul style="list-style-type: none">1. Set the valve to the correct function.2. Replace the gasket.
The motor is Running, but no water flows through the pump.	<ul style="list-style-type: none">1. Air is entering the system.2. Suction height too high, incorrect position.	<ul style="list-style-type: none">1. Check all hose/pipe connections and ensure the strainer lid is tightened.2. Position the system/pump to a lower place.

Sand is flowing into the pool.	<ol style="list-style-type: none"> 1.Sand is too small. 2.The level of the sand is too high. 3.Broken underdrain assembly. 	<ol style="list-style-type: none"> 1.Use#20 silica sand 2.Lower the sand level to 2/3 of the filter 3.Replace broken or damaged assembly.
Higher filter pressure.	<ol style="list-style-type: none"> 1.Insufficient Backwashing. 2.Partially closed valve or restriction. 	<ol style="list-style-type: none"> 1.Backwash until effluent runs clear. 2.Open the valve or remove the obstruction in the return line.
Return flow to pool diminished,low filter pressure,	<ol style="list-style-type: none"> 1.Obstruction in the pump. 2.Obstruction in the suction line to pump. 	<ol style="list-style-type: none"> 1.Disassemble and clean the pump. Clean strainer/skimmer basket. 2.Remove obstruction in lines.

Correct Disposal

This product is subject to the provision of european Directive 2012/19/EU.

The symbol showing a wheelie bin crossed through indicates that the product requires separate refuse collection in the European Union. This applies to the product and all accessories marked with this symbol. Products marked as such may not be discarded with normal domestic waste, but must be taken to a collection point for recycling electrical and electronic devices.



VEVOR[®]

TOUGH TOOLS, HALF PRICE

Technical Support and E-Warranty Certificate

www.vevor.com/support

VEVOR®

TOUGH TOOLS, HALF PRICE

Assistance technique et certificat de garantie
électronique www.vevor.com/support

POMPE DE PISCINE

USR VICTOIREL

MODÈLE : HCP370-D

Nous continuons à nous engager à vous fournir des outils à des prix compétitifs.

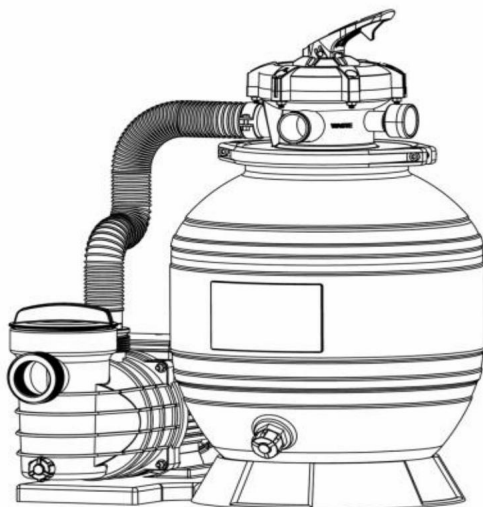
« Économisez la moitié », « Moitié prix » ou toute autre expression similaire utilisée par nous ne représente qu'une estimation des économies que vous pourriez réaliser en achetant certains outils chez nous par rapport aux grandes marques et ne signifie pas nécessairement couvrir toutes les catégories d'outils que nous proposons.

Nous vous rappelons de bien vouloir vérifier soigneusement lorsque vous passez une commande chez nous si vous économisez réellement la moitié par rapport aux grandes marques

VEVOR[®]
TOUGH TOOLS, HALF PRICE

POMPE DE PISCINE

MODÈLE : HCP370-D



BESOIN D'AIDE? CONTACTEZ-NOUS!

Vous avez des questions sur les produits ? Vous avez besoin d'une assistance technique ? N'hésitez pas à nous contacter :

Assistance technique et certificat de garantie électronique [www.vevor.com/
support](http://www.vevor.com/support)

Il s'agit de la notice d'utilisation d'origine. Veuillez lire attentivement toutes les instructions du manuel avant de l'utiliser. VEVOR se réserve le droit d'interpréter clairement notre manuel d'utilisation. L'apparence du produit dépend du produit que vous avez reçu. Veuillez nous excuser, nous ne vous informerons plus en cas de mise à jour technologique ou logicielle de notre produit.

AVERTISSEMENT IMPORTANT ET SECURITE

DANGER

DES BLESSURES CORPORELLES GRAVES OU LA MORT PEUVENT SURVENIR SI CE SABLE LE FILTRE N'EST PAS INSTALLÉ ET UTILISÉ CORRECTEMENT.

DANGER

LES INSTALLATEURS, LES EXPLOITANTS DE PISCINE ET LES PROPRIÉTAIRES DE PISCINE DOIVENT LIRE CES AVERTISSEMENTS ET TOUTES LES INSTRUCTIONS AVANT D'UTILISER CE PRODUIT FILTRE À SABLE.

WARNING

Ce filtre à sable est destiné à être utilisé dans les applications de piscine.

WARNING

La plupart des codes d'État et locaux réglementent la construction, l'installation et exploitation de piscines et de spas publics et construction de piscines résidentielles et les spas. Il est important de se conformer à ces codes, dont beaucoup sont directement réglementer l'installation et l'utilisation de ce produit. Consultez votre autorité locale de construction et les codes de santé pour plus d'informations.

WARNING

Ne laissez pas les enfants utiliser ou faire fonctionner ce filtre à sable. Avant d'installer ce produit, lisez et suivez tous les avertissements et instructions dans ce guide. Le non-respect des avertissements et des instructions peut entraîner des blessures graves, la mort ou des dommages matériels.

WARNING

AVANT DE TRAVAILLER SUR LE FILTRE !

Libération d'air :

Appuyez sur la poignée de la soupape de commande pour libérer l'air.

REMARQUE : Il est important de répéter cette opération à chaque fois que vous démarrez la pompe après l'hivernage, l'entretien et le lavage à contre-courant.

⚠ CAUTION

Les composants tels que le système de filtration, les pompes et le réchauffeur doivent être positionnés de manière à éviter qu'ils soient utilisés comme moyen d'accès à la piscine par de jeunes enfants.

⚠ WARNING

Reliez tous les équipements électriques à la terre avant de les connecter à l'alimentation électrique. Le fait de ne pas relier tous les équipements électriques à la terre peut entraîner un risque d'électrocution grave, voire mortel.

⚠ WARNING

Pour éviter tout choc électrique dangereux ou mortel, coupez l'alimentation de tous les équipements électriques avant de travailler sur les connexions électriques.

⚠ CAUTION

Ce filtre à sable est destiné à être utilisé uniquement avec des piscines stockables. Ne l'utilisez pas avec des piscines installées en permanence. La piscine stockable est construite de manière à pouvoir être facilement démontée pour le stockage et remontée dans son intégrité d'origine. La piscine installée en permanence est construite dans ou sur le sol ou dans un bâtiment de telle sorte qu'elle ne puisse pas être facilement démontée pour le stockage.



La haute pression du filtre à sable peut provoquer des blessures graves ou des dommages matériels importants en raison de la séparation du réservoir.

Relâchez toute la pression et lisez les instructions avant de travailler sur le filtre à sable.

Si la pince du filtre est réglée sous pression, le réservoir peut

séparer, causant des blessures graves ou des dommages matériels importants.



RISQUE DE CHOC ÉLECTRIQUE OU D'ÉLECTROCUTION : LES POMPES

NÉCESSITENT UNE HAUTE TENSION, QUI PEUT PROVOQUER UN CHOC ÉLECTRIQUE, DES BRÛLURES OU LA MORT.

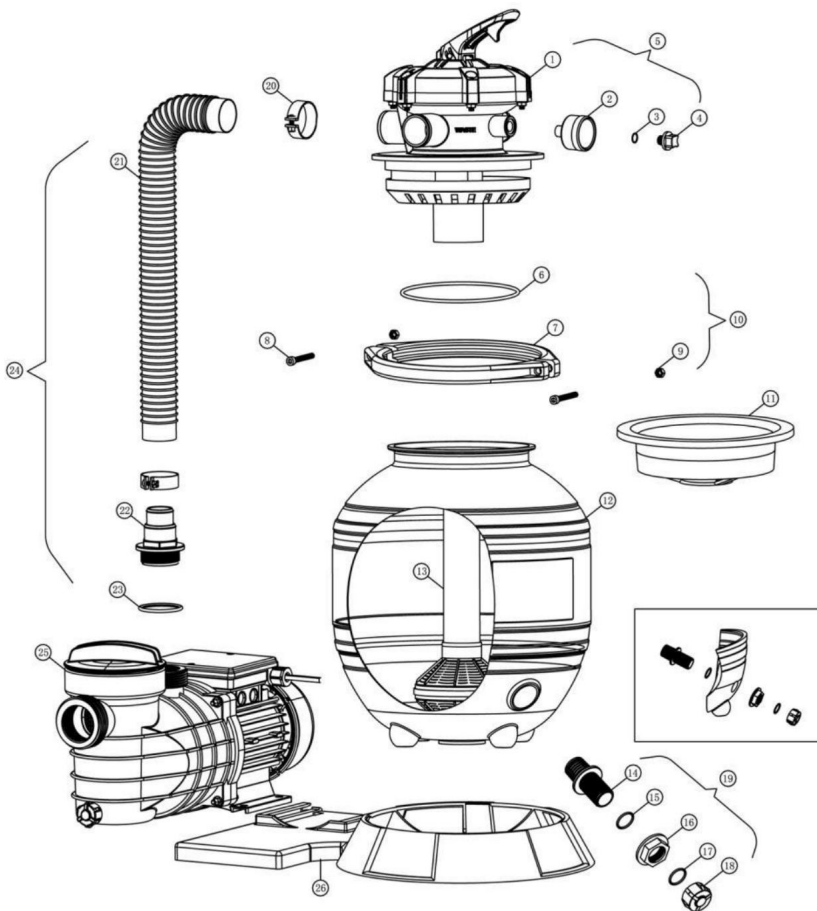
AVANT DE TRAVAILLER SUR LA POMPE !

Débranchez toujours l'alimentation de la pompe de piscine au niveau du disjoncteur de la pompe avant de procéder à l'entretien de la pompe. Le non-respect de cette consigne pourrait entraîner la mort ou des blessures graves au technicien de maintenance, aux utilisateurs de la piscine ou à d'autres personnes en raison d'un choc électrique.



Une pompe de piscine ou de spa doit être installée par un professionnel qualifié en matière de piscine et de spa, conformément au Code national de l'électricité et à tous les codes et ordonnances locaux applicables. Une installation incorrecte peut créer un risque électrique pouvant entraîner la mort ou des blessures graves aux utilisateurs de la piscine, aux installateurs ou à d'autres personnes en raison d'un choc électrique et peut également causer des dommages matériels.

SCHÉMA DE MONTAGE



Nombre	Description	Quantité
1	Vanne 1-1/2 po 5 voies Style pince	1
2	Manomètre Joint	1
3	torique,	1
4	bouchon Bouchon,	1
5	ensemble de vanne	1
6	manomètre Joint torique, vanne	1

7	Collier de serrage à bride	2
8	Vis	2
9	Noix	2
10	Ensemble de serrage	1
11	Bouclier de sable	1
12	Réservoir filtrant	1
13	Ensemble de tuyau vertical et de drain souterrain	1
14	Robinet de vidange	1
15	Joint torique, bouchon	1
16	Ecrou de vidange	1
17	Joint torique, bouchon	1
18	Bouchon de vidange	1
19	Kit de vidange	1
20	Collier de	5
21	serrage Pompe à filtre	1
22	Tuyau Adaptateur	2
23	de tuyau Joint torique.	1
24	Adaptateur de tuyau Pompe à	1
25	filtre	1
26	Ensemble Pompe Base de pompe	1

APERÇU DU FILTRE

Votre filtre à sable à haut débit est conçu pour produire une eau claire et pétillante et fonctionner pendant des années avec un minimum d'entretien une fois installé et utilisé.
et entretenu conformément à ces instructions.

Votre filtre utilise du sable filtrant spécial pour éliminer les particules de saleté de l'eau de la piscine. Le sable filtrant est chargé dans le réservoir du filtre et fonctionne comme un média d'élimination de la saleté. L'eau de la piscine, qui contient des particules de saleté en suspension, est pompée à travers votre système de tuyauterie et est automatiquement dirigé par la vanne de commande du filtre vers le haut du réservoir du filtre. Lorsque l'eau de la piscine est pompée à travers le sable filtrant, les particules de saleté sont piégées par le lit de sable et filtrées. L'eau de la piscine nettoyée s'écoule du bas du réservoir du filtre, à travers le tuyau vertical et revient à la vanne située au-dessus du filtre où l'eau propre est renvoyée dans la piscine par la tuyauterie ou les tuyaux.

Après un certain temps, la saleté accumulée dans le filtre provoque une résistance à l'écoulement et le débit diminue. Cela signifie qu'il est temps de nettoyer (lavage à contre-courant) votre filtre.

Avec la vanne de commande en position de lavage à contre-courant, le débit d'eau est automatiquement inversé à travers le filtre de sorte qu'il est dirigé vers le fond du réservoir, à travers le sable, évacuant la saleté et les débris précédemment piégés hors de la conduite d'évacuation. Une fois le filtre lavé à contre-courant (nettoyé) de la saleté, la vanne de commande est réenclenchée manuellement pour rincer puis filtrer pour reprendre le filtrage normal.

CARACTÉRISTIQUES

POMPE	Modèle	HCP370-D
	Tension nominale et	CA 220-240 V, 50 Hz 450 W
	Suis p	2.1A
	Max.heat d	11 m
	Max.flo <small>Dans</small>	13000L/H
	Classe de protectionm	IPX5
	Classe d'isolation	F

Filtre à montage supérieur	Diamètre du filtre	14"
	Surface de filtration efficace	0,099
	Volume du réservoir	29L
	Type de média requis	Sable de silice n° 20
	Quantité de média requise	26 kg
	Pression de travail max.	35psi

INSTALLATION DU FILTRE

Lisez et comprenez toutes les instructions avant d'essayer de installer, exploiter ou entretenir votre système de pompe et de filtre à sable.

1. Retirez soigneusement tous les composants individuels du carton et inspectez-les pour tout dommage visible. Si le carton ou les pièces sont endommagés, contactez le vendeur ou compagnie de fret.

⚠ WARNING

Le blocage des raccords d'aspiration peut provoquer des blessures graves ou mortelles en raison d'une noyade. Pour réduire le risque de blessure, ne laissez pas les enfants utiliser

⚠ WARNING

Ne travaillez jamais sur la pompe pendant qu'elle fonctionne ou que l'alimentation électrique est toujours connectée. Une haute tension peut provoquer des blessures graves, voire mortelles. Un disjoncteur de fuite à la terre (GFCI) approprié doit toujours être installé à la source d'alimentation de cet appareil. Assurez-vous de mettre le moteur à la terre avant de le connecter à l'alimentation électrique CA. Le fait de ne pas mettre le moteur à la terre peut entraîner un risque de choc électrique grave, voire mortel.

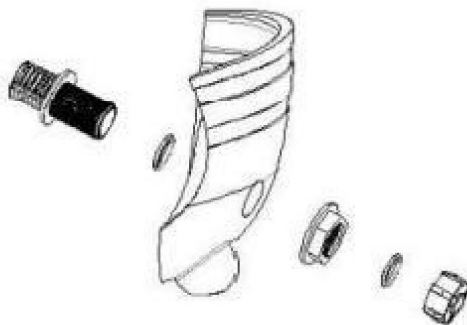
sol jusqu'à un pipeline d'alimentation en gaz.

2. Le système de filtration doit être installé à 50 cm maximum au-dessus du niveau de l'eau de la piscine, sur une dalle de béton plane, un sol très ferme ou équivalent, comme recommandé par votre revendeur de piscine. Lorsque le filtre est rempli de sable et d'eau, il peut peser plusieurs centaines de livres. Positionnez le filtre de manière à ce que les raccords de tuyauterie, la vanne de régulation et le drain d'hiver soient

accessible pour l'exploitation, l'entretien et l'hivernage.

3. Assemblez le drain à la sortie inférieure au bas du filtre

réservoir. Assurez-vous que les joints toriques sont correctement assemblés pour éviter les fuites d'eau. Voir la figure ci-dessous.



4. Placez le réservoir du filtre sur la base du système et faites-le tourner légèrement dans le sens des aiguilles d'une montre. bit. Positionnez le réservoir du filtre de sorte que le drain d'hiver soit orienté dans la direction opposée à la pompe.

5. Assemblez la pompe à la base du système.

6. Placez l'ensemble tuyau vertical et drain souterrain au centre de la réservoir. Bouchez le tuyau d'évacuation avec un bouclier anti-sable pour empêcher le sable de pénétrer Remplissez le réservoir avec environ la moitié d'eau. (Assurez-vous que le bouchon de vidange d'hiver est bien en place). Versez soigneusement la quantité et la qualité appropriées de filtre sable (Assurez-vous que le tuyau vertical reste centré dans l'ouverture).

 **IMPORTANT**

Vous devez utiliser uniquement du sable de silice standard n° 20 ayant une uniformité coefficient de 1,75 ou moins. Le sable de silice n° 20 a une granulométrie de 0,018 à 0,022 pouces (0,45 à 0,55 mm).

Remarque : le sable n'est pas inclus.

7. Retirez le pare-sable du tuyau vertical. Lavez tout le sable autour l'ouverture en haut du réservoir. Assurez-vous que le haut du filtre est exempt de tout du sable ou des débris et le joint torique de la vanne est en place sur le corps de la vanne. Insérez le filtre Vanne de régulation dans le col du réservoir, en veillant à ce que le tuyau vertical glisse dans le trou dans le fond de la valve.

8. Positionnez la vanne de manière à ce que les emplacements des ports soient dans la position finale souhaitée. position. Les ports de vanne sont marqués avec l'emplacement où ils doivent être connecté, c'est-à-dire que le port de la pompe doit aller à la décharge de la pompe, le port de déchets doit aller à la conduite d'évacuation et le port de retour doit aller au retour de la piscine.

9. Essuyez la bride du filtre. Placez la bride de serrage autour du réservoir et bride de soupape et assemblez les vis et les écrous avec la clé hexagonale. Serrer serrez fermement les vis et vérifiez visuellement le réservoir de la vanne et l'ensemble de serrage pour s'assurer que le joint est correctement assemblé.

 **WARNING**

Haute pression :

Un assemblage incorrect de la valve du réservoir pourrait entraîner la séparation de la valve et provoquer des blessures graves et/ou des dommages matériels importants.

10. Enroulez un tuyau en Téflon fabriqué pour le tuyau en plastique sur l'extrémité mâle 14" NPT du manomètre.

Vissez soigneusement le manomètre dans le trou taraudé 1/4" NPT du corps de la vanne. Ne serrez pas trop.

11. Vissez les adaptateurs de tuyau dans l'orifice de la vanne de commande marqué PUMP et dans l'orifice de refoulement de la pompe. Enroulez cinq tours de tuyau en Téflon sur chaque adaptateur de tuyau. Connectez les adaptateurs de tuyau à un tuyau de 1,5" et utilisez un collier de serrage pour les fixer.

12. Effectuez un retour au raccordement du tuyau de piscine à l'ouverture de la vanne de commande marquée RETOUR et effectuez les autres raccordements de plomberie nécessaires, les conduites d'évacuation, les conduites d'aspiration vers la pompe, etc.

13. Pour éviter les fuites d'eau, assurez-vous que le bouchon de vidange d'hiver est bien en place et que tous les raccords de tuyaux sont bien serrés.

 **CAUTION**

CONSERVEZ LES ÉTIQUETTES DE SÉCURITÉ EN BON ÉTAT ET REMPLACEZ-LES SI MANQUANT OU ENDOMMAGÉ.

FONCTIONS DE LA VANNE DE CONTRÔLE DU FILTRE

FILTRE : De la pompe, à travers la vanne, vers le bas à travers le lit de sable du filtre, vers le haut à travers le tuyau central jusqu'à l'orifice de retour de la vanne, et de retour à la piscine pour une action de filtration normale et l'aspiration de la piscine à travers le filtre.

CONTRE-LAVAGE : De la pompe, à travers la vanne, vers le bas à travers le tuyau central, vers le haut à travers le sable filtrant jusqu'à la vanne et vers l'orifice de sortie des déchets. Cette position est utilisée pour nettoyer le filtre en inversant le flux.

RINÇAGE : De la pompe, à travers la vanne, vers le bas à travers le sable filtrant, vers le haut à travers le tuyau central jusqu'à la vanne et à l'orifice de sortie des déchets. Cette position est

utilisé pour le nettoyage de démarrage et la réinstallation du lit filtrant après le lavage à contre-courant.

DÉCHETS : De la pompe, à travers la vanne, contourne le filtre et va à

le port de déchets. Cette position permet d'aspirer directement vers les déchets, en abaissant le

niveau de la piscine, ou

vider la piscine.

FERMÉ : PAS DE FLUX DANS CETTE POSITION - NE PAS UTILISER CE RÉGLAGE

PENDANT QUE LA POMPE FONCTIONNE.

HIVER : Position de la vanne pour un filtre hiverné.

DÉMARRAGE INITIAL

1. Sur une nouvelle piscine, nettoyez la piscine avant de la remplir d'eau.

Une saleté excessive et de grosses particules peuvent endommager la pompe et

filtre.

2. Assurez-vous que toutes les conduites d'aspiration et d'évacuation de la piscine sont ouvertes afin que l'eau soit

libre de s'écouler de la piscine vers la conduite d'évacuation. Réglez la vanne de régulation sur

la position CONTRE-LAVAGE.

3. Vérifiez que le collier de serrage de la valve est bien serré.

4. Vérifiez le pot du filtre de la pompe pour vous assurer qu'il est plein d'eau (assurez-vous que le tuyau

est plein d'eau s'il n'y a pas de panier-filtre). Serrez le couvercle de la pompe.

Amorcez et démarrez la pompe, en laissant le réservoir du filtre se remplir d'eau.



NE PAS FAIRE FONCTIONNER LE FILTRE À SABLE À SEC.

5. Une fois que le débit d'eau est stable dans la conduite d'évacuation, faites fonctionner la pompe pendant au moins
au moins 2 minutes ou jusqu'à ce que l'eau de lavage à contre-courant soit propre. Cette première

un lavage à contre-courant du filtre est recommandé pour éliminer toutes les impuretés fines
particules de sable dans le milieu de sable siliceux.

6. Éteignez la pompe et réglez la vanne sur la position « RINÇAGE ». Assurez-vous que tous

les conduites d'aspiration et d'évacuation de la piscine sont ouvertes pour que l'eau puisse s'écouler librement

de la piscine à la ligne d'évacuation. RESTEZ ÉLOIGNÉ DU FILTRE et démarrez le pompe.

7. Faites fonctionner la pompe pendant au moins deux minutes.

8. Éteignez la pompe et réglez la vanne sur la position « FILTRE ». Assurez-vous que toutes les conduites d'aspiration et de RETOUR de la piscine sont ouvertes afin que l'eau puisse s'écouler librement depuis et vers la piscine. ÉLOIGNEZ-VOUS DU FILTRE et démarrez le pompe.

9. Le filtre a maintenant commencé son cycle de filtrage. Vous devez vous assurer que l'eau retourne à la piscine et prenez note de la pression de fonctionnement lorsque le filtre est propre.

10. Vérifiez le système pour détecter les fuites d'eau. Si une fuite est détectée, arrêtez la pompe avant de corriger la fuite.

11. Comme le filtre élimine la saleté et les impuretés de l'eau de la piscine, le l'accumulation entraînera une augmentation de la pression du filtre et un écoulement vers diminuer. Lorsque la lecture du manomètre est de 5 à 10 psi supérieure à la nettoyez le filtre en lisant la lecture ci-dessus, il est temps de procéder à un lavage à contre-courant du filtre.

NETTOYAGE

1. Le filtre d'une nouvelle piscine doit être lavé à contre-courant et nettoyé après environ 48 heures de fonctionnement pour nettoyer la poussière de plâtre et/ou débris de construction.

2. Il existe trois façons différentes d'identifier quand le filtre doit être remplacé. lavage à contre-courant.

· L'indicateur le plus précis sur les systèmes de piscine avec un débitmètre est de

lavage à contre-courant lorsque le débit diminue de 30 % par rapport à l'original (nettoyage filtre) débit. Par exemple, si le débit d'origine était de 10 000 L/H, le filtre devrait être rétabli-

lavé lorsque le débit est réduit d'environ 3000 L/H (ou 30 %)

·Un indicateur plus subjectif et moins précis consiste à observer la quantité

de l'eau s'écoulant des écoulements directionnels situés dans la paroi de la piscine. Le filtre doit être lavé à contre-courant une fois qu'il est détecté que le débit a été réduit.

·L'indicateur le plus couramment utilisé mais le moins précis est le lavage à contre-courant

lorsque la lecture de la jauge du filtre augmente de 10 PSI par rapport à la valeur initiale (nettoyage) lecture du filtre.

3. Il est important de ne pas effectuer de lavage à contre-courant du filtre uniquement de manière programmée, par exemple tous les trois jours. Il est également important de noter que le lavage à contre-courant provoque souvent une mauvaise filtration. Des facteurs tels que les conditions météorologiques, Les fortes pluies, la poussière ou le pollen et les températures de l'eau affectent tous la fréquence de contre-lavage. Au fur et à mesure que vous utilisez votre piscine, vous en prendrez conscience influences.

4. Pour éviter d'endommager la pompe et le filtre et pour assurer le bon fonctionnement de l' système, nettoyez régulièrement le filtre de la pompe et les paniers de l'écumoire.

5. Si, à tout moment, la pression de démarrage après le lavage à contre-courant du filtre indique 4 à 6 PSI de plus que la pression de démarrage normale, il est temps d'effectuer une procédure de nettoyage chimique.

PROCÉDURE DE LAVAGE À CONTRE-COURANT DU FILTRE

1. Arrêtez la pompe.

WARNING

Éteignez toujours la pompe avant de changer la position des vannes.

Changer la position de la vanne pendant que la pompe fonctionne peut endommager la vanne de régulation, ce qui peut entraîner des blessures graves ou des dommages matériels.

2. Assurez-vous que les conduites d'aspiration et d'évacuation sont ouvertes afin que l'eau soit libre pour venir de la piscine et s'écouler par la conduite d'évacuation. Réglez la vanne de régulation sur

la position « CONTRE-LAVAGE ».

3. ÉLOIGNEZ-VOUS DU FILTRE et démarrez la pompe.

4. Lavez le filtre à contre-courant pendant environ 3 à 5 minutes ou jusqu'à ce que l'eau de contre-courant est propre

5. Arrêtez la pompe et placez la vanne sur la position « RINÇAGE ».

6. ÉLOIGNEZ-VOUS DU FILTRE et démarrez la pompe.

7. Rincez le filtre pendant environ 30 secondes.

8. Arrêtez la pompe et réglez la vanne sur la position « FILTRE ».

9. Assurez-vous que la ligne de RETOUR de la piscine est ouverte afin que l'eau puisse s'écouler librement le filtre retourne à la piscine.

10. ÉLOIGNEZ-VOUS DU FILTRE et démarrez la pompe.

11. Le filtre a maintenant commencé son cycle de filtrage. Vérifiez que l'eau revient à la piscine et notez la pression du filtre lorsque le filtre est propre.

12. La pression du filtre à l'étape 11 ci-dessus ne doit pas dépasser la pression observé à l'origine sur le filtre lors de son démarrage initial. Si, après

lavage à contre-courant, la pression est de 4 à 6 psi au-dessus de la condition de départ, elle sera nécessaire de nettoyer chimiquement le lit de sable.

HIVERNAGE DE VOTRE FILTRE



Laisser l'eau geler dans le système endommagera le système et provoquer des dégâts d'eau/inondations potentiels et des dommages matériels potentiels

Dans les régions où les températures hivernales sont glaciales, l'équipement de piscine doit être hiverné pour protéger contre les dommages.

1. Lavez à contre-courant le filtre à sable.

2. Après le lavage à contre-courant, arrêtez la pompe et déplacez la poignée de la vanne à la position HIVER.



La vanne multiport doit être laissée en position « HIVER » pendant la saison d'arrêt. Le non-respect de cette consigne peut endommager le système, ce qui peut causer des dommages matériels en raison d'une fuite d'eau.

3. Retirez le bouchon de vidange situé au bas du réservoir du filtre et laissez le bouchon éteint pendant l'hiver. Vidangez complètement le réservoir du filtre.
4. Vidangez et hivernez la pompe.
5. Vidangez toute la tuyauterie appropriée du système.

HIVERNAGE DE VOTRE FILTRE DÉPANNAGE

L'eau de la piscine n'est pas suffisamment propre.	<ol style="list-style-type: none"> 1. La chimie de la piscine n'est pas adéquat pour inhiber les algues croissance. 2. Montant inapproprié ou mauvaise taille de sable. 3. Taux de rotation du personnel insuffisant. 	<ol style="list-style-type: none"> 1. Maintenir la chimie de la piscine ou consulter un service technicien. 2. Vérifiez la profondeur du lit de sable et la taille du sable ou consulter un technicien de service de piscine. 3. Exécutez le système pendant un plus longtemps ou consulter un concessionnaire ou service de piscine technicien.
Fuite de la vanne de régulation	<ol style="list-style-type: none"> 1. La vanne de régulation est réglée entre deux fonctions. 2. Le joint est cassé. 	<ol style="list-style-type: none"> 1. Réglez la vanne sur la fonction correcte. 2. Remplacez le joint.
Le moteur est Je cours, mais pas d'eau coule à travers le pompe.	<ol style="list-style-type: none"> 1. De l'air pénètre dans le système. 2. Hauteur d'aspiration également haut, position incorrecte. 	<ol style="list-style-type: none"> 1. Vérifiez tous les tuyaux/conduites connexions et assurer le couvercle de la passoire est resserré. 2. Positionnez le système/pompe à un niveau inférieur lieu.

<p>Le sable s'écoule dans le piscine.</p>	<ol style="list-style-type: none"> 1. Le sable est trop petit. 2. Le niveau du sable est trop haut. 3. Drainage inférieur cassé assemblée. 	<ol style="list-style-type: none"> 1. Utilisez du sable de silice n° 20 2. Abaissez le niveau de sable à 2/3 du filtre 3. Remplacez les éléments cassés ou assemblage endommagé.
<p>Pression de filtre plus élevée.</p>	<ol style="list-style-type: none"> 1. Rétrolavage insuffisant. 2. Vanne partiellement fermée ou restriction. 	<ol style="list-style-type: none"> 1. Lavage à contre-courant jusqu'à l'effluent court clair. 2. Ouvrez la vanne ou retirez l'obstruction dans le ligne de retour.
<p>Retour d'eau à la piscine diminué, filtre basse pression,</p>	<ol style="list-style-type: none"> 1. Obstruction dans la pompe. 2. Obstruction dans l'aspiration ligne à pomper. 	<ol style="list-style-type: none"> 1. Démontez et nettoyez la pompe. Nettoyez la crépine/écumoire panier. 2. Retirez l'obstruction dans lignes .

Élimination correcte

Ce produit est soumis aux dispositions de la directive européenne 2012/19/UE.

Le symbole représentant une poubelle à roulettes barrée indique que le produit exige une collecte séparée des déchets dans l'Union européenne. Cela s'applique à produit et tous les accessoires marqués de ce symbole. Produits marqués comme tels ne peut pas être jeté avec les ordures ménagères normales, mais doit être apporté à un point de collecte pour le recyclage des appareils électriques et électroniques.



VEVOR[®]

TOUGH TOOLS, HALF PRICE

Assistance technique et certificat de garantie
électronique www.vevor.com/support

VEVOR[®]

TOUGH TOOLS, HALF PRICE

Technischer Support und E-Garantie-Zertifikat

www.vevor.com/support

SCHWIMMBADPUMPE

USR-GEWINN M

MODELL:HCP370-D

Wir sind weiterhin bestrebt, Ihnen Werkzeuge zu wettbewerbsfähigen Preisen anzubieten.

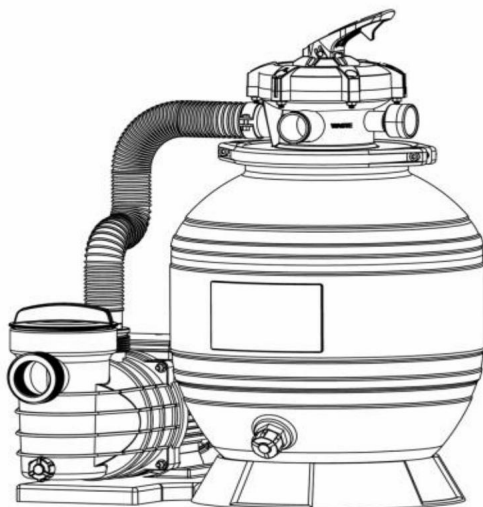
„Sparen Sie die Hälfte“, „Halber Preis“ oder andere ähnliche Ausdrücke, die wir verwenden, stellen nur eine Schätzung der Ersparnis dar, die Sie beim Kauf bestimmter Werkzeuge bei uns im Vergleich zu den großen Topmarken erzielen können, und decken nicht unbedingt alle von uns angebotenen Werkzeugkategorien ab. Wir möchten Sie freundlich daran erinnern, bei der Bestellung bei uns sorgfältig zu prüfen, ob Sie im Vergleich zu den großen Topmarken tatsächlich die Hälfte sparen.

VEVOR®

TOUGH TOOLS, HALF PRICE

SCHWIMMBADPUMPE

MODELL:HCP370-D



Brauchen Sie Hilfe? Kontaktieren Sie uns!

Sie haben Fragen zu unseren Produkten? Sie benötigen technischen Support? Dann kontaktieren Sie uns gerne:

**Technischer Support und E-Garantie-Zertifikat [www.vevor.com/
support](http://www.vevor.com/support)**

Dies ist die Originalanleitung. Bitte lesen Sie alle Anweisungen sorgfältig durch, bevor Sie das Gerät in Betrieb nehmen. VEVOR behält sich eine klare Auslegung unserer Bedienungsanleitung vor. Das Erscheinungsbild des Produkts richtet sich nach dem Produkt, das Sie erhalten haben. Bitte verzeihen Sie uns, dass wir Sie nicht erneut informieren, wenn es Technologie- oder Software-Updates für unser Produkt gibt.

WICHTIGE WARNHINWEISE UND SICHERHEIT

DANGER

SCHWERE VERLETZUNGEN ODER TOD KÖNNEN FOLGEN, WENN DIESER SAND FILTER IST NICHT RICHTIG INSTALLIERT UND WIRD NICHT RICHTIG VERWENDET.

DANGER

INSTALLATEURE, POOLBETREIBER UND POOLBESITZER MÜSSEN LESEN DIESE WARNHINWEISE UND ALLE ANWEISUNGEN VOR DER VERWENDUNG DIESES SANDFILTER.

WARNING

Dieser Sandfilter ist für den Einsatz in Schwimmbädern vorgesehen.

WARNING

Die meisten Bundesstaaten und lokalen Gesetze regeln den Bau, die Installation und Betrieb öffentlicher Bäder und Thermen sowie Bau privater Bäder und Spas. Es ist wichtig, diese Vorschriften einzuhalten, von denen viele direkt regeln die Installation und Verwendung dieses Produkts. Wenden Sie sich an Ihre örtliche und Gesundheitscodes für weitere Informationen.

WARNING

Erlauben Sie Kindern nicht, diesen Sandfilter zu benutzen oder zu bedienen. Lesen und befolgen Sie vor der Installation dieses Produkts alle Warnhinweise und Anweisungen in diesem Handbuch. Die Nichtbeachtung von Warnungen und Anweisungen kann zu schweren Verletzungen, zum Tod oder zu Sachschäden führen.

WARNING

VOR ARBEITEN AM FILTER!

Luftfreigabe:

Drücken Sie den Griff des Steuerventils nach unten, um die Luft abzulassen.

HINWEIS: Es ist wichtig, diesen Vorgang jedes Mal zu wiederholen,

Starten Sie die Pumpe nach der Winterfestmachung, Wartung und Rückspülung.

⚠ CAUTION

Komponenten wie Filtersystem, Pumpen und Heizung müssen so positioniert sein, dass sie kleinen Kindern keinen Zugang zum Pool ermöglichen.

⚠ WARNING

Erden Sie alle elektrischen Geräte, bevor Sie sie an die Stromversorgung anschließen. Wenn Sie nicht alle elektrischen Geräte erden, kann dies zu schweren oder tödlichen Stromschlägen führen.

⚠ WARNING

Um einen gefährlichen oder tödlichen Stromschlag zu vermeiden, schalten Sie vor der Arbeit an elektrischen Anschlüssen alle elektrischen Geräte aus.

⚠ CAUTION

Dieser Sandfilter ist nur für die Verwendung mit lagerfähigen Pools bestimmt. Verwenden Sie ihn nicht mit fest installierten Pools. Der lagerfähige Pool ist so konstruiert, dass er zur Lagerung problemlos auseinandergenommen und in seiner ursprünglichen Integrität wieder zusammengebaut werden kann. Fest installierte Pools sind im oder auf dem Boden oder in einem Gebäude so konstruiert, dass sie zur Lagerung nicht problemlos auseinandergenommen werden können.



Hoher Druck aus dem Sandfilter kann zu schweren Verletzungen oder erheblichen Sachschäden aufgrund der Tanktrennung führen.

Lassen Sie den gesamten Druck ab und lesen Sie die Anweisungen, bevor Sie am Sandfilter arbeiten.

Wird die Filterklemme unter Druck eingestellt, kann der Behälter

Dies kann zu schweren Verletzungen oder erheblichen Sachschäden führen.



RISIKO EINES STROMSCHLAGS ODER EINES STROMSCHLAGS: PUMPEN

BENÖTIGEN HOHE SPANNUNG, DIE ZU EINEM SCHLAG, VERBRENNUNGEN ODER ZUM TOD FÜHREN KANN.

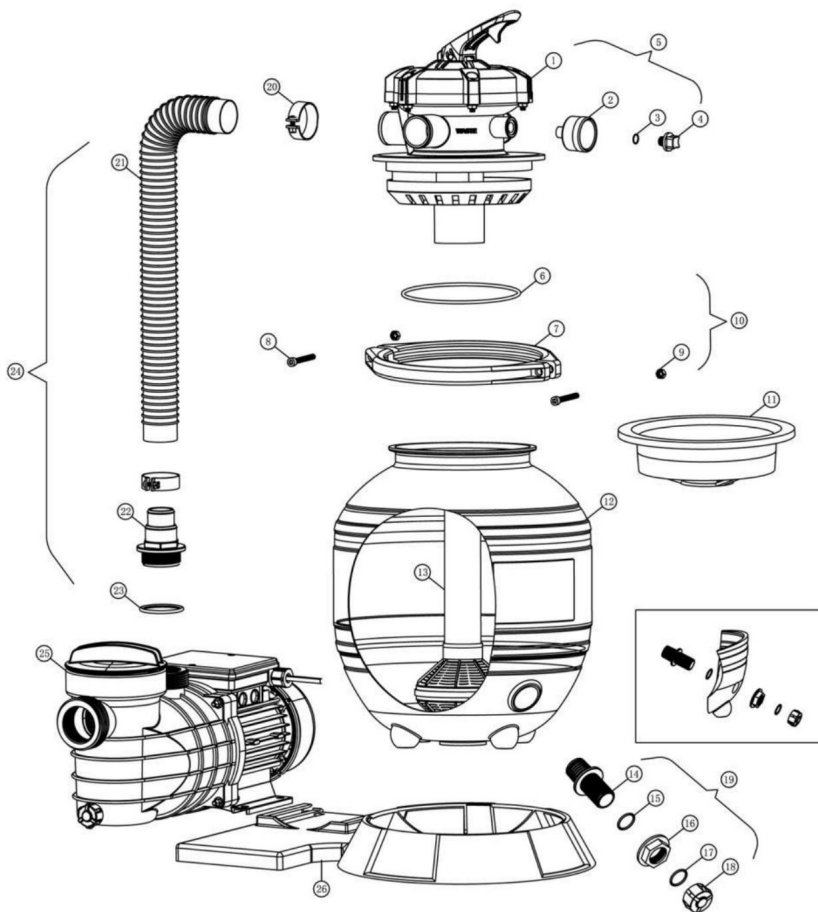
VOR ARBEITEN AN DER PUMPE!

Trennen Sie die Poolpumpe immer am Schutzschalter der Pumpe von der Stromversorgung, bevor Sie Wartungsarbeiten an der Pumpe durchführen. Andernfalls kann es durch einen Stromschlag zu schweren oder tödlichen Verletzungen des Wartungspersonals, der Poolbenutzer oder anderer Personen kommen.



Eine Pool- oder Spa-Pumpe muss von einem qualifizierten Pool- und Spa-Servicetechniker gemäß dem National Electrical Code und allen geltenden örtlichen Vorschriften und Verordnungen installiert werden. Eine unsachgemäße Installation kann zu elektrischen Gefahren führen, die durch Stromschläge zum Tod oder zu schweren Verletzungen von Poolbenutzern, Installateuren oder anderen Personen führen können und auch Sachschäden verursachen können.

MONTAGEDARF



Nummer	Beschreibung	Menge
1	Ventil 1-1/2 Zoll 5-Wege-Klemmventil	1
2	Druckmessgerät	1
3	O-Ring,	1
4	Stecker Stecker,	1
5	Druckmessgerät	1
6	Ventilbaugruppe O-Ring, Ventil	1

7	Flanschkleme	2
8	Schrauben	2
9	Nuss	2
10	Klemmenbaugruppe	1
11	Sandschild	1
12	Filtertank	1
13	Standrohr- und Unterablaufbaugruppe	1
14	Ablasshahn	1
15	O-Ring, Stopfen	1
16	Ablassmutter	1
17	O-Ring, Stopfen	1
18	Ablasskappe	1
19	Ablaufset	1
20	Schlauchschele	5
21	Pumpe zum	1
22	Filterschlauch	2
23	Schlauchadapter O-Ring.	1
24	Schlauchadapter Pumpe zum	1
25	Filter	1
26	Montagepumpe Pumpensockel	1

FILTERÜBERSICHT

Ihr Hochleistungs-Sandfilter ist so konzipiert, dass er klares, prickelndes Wasser produziert und jahrelang mit minimalem Wartungsaufwand funktioniert, wenn er installiert, betrieben wird und in Übereinstimmung mit diesen Anweisungen gewartet werden.

Ihr Filter entfernt durch speziellen Filtersand Schmutzpartikel aus dem Poolwasser.

Filtersand wird in den Filterbehälter geladen und dient als Schmutzentfernungsmedium. Das Poolwasser, das suspendierte Schmutzpartikel enthält, wird gepumpt durch Ihr Rohrleitungssystem und wird vom Filtersteuerventil automatisch an die Oberseite des Filtertanks geleitet. Während das Poolwasser durch den Filtersand gepumpt wird, werden Schmutzpartikel vom Sandbett aufgefangen und herausgefiltert. Das gereinigte Poolwasser fließt vom Boden des Filtertanks nach oben durch das Standrohr und zurück zum Ventil oben auf dem Filter, wo das saubere Wasser durch die Rohrleitungen oder Schläuche in den Pool zurückgeführt wird.

Nach einer gewissen Zeit verursacht der im Filter angesammelte Schmutz einen Durchflusswiderstand und der Durchfluss verringert sich. Das bedeutet, dass es Zeit ist, Ihren Filter zu reinigen (rückzuspülen). Wenn sich das Steuerventil in der Rückspülposition befindet, wird der Wasserfluss durch den Filter automatisch umgekehrt, sodass das Wasser zum Boden des Tanks geleitet wird und durch den Sand nach oben fließt, wodurch der zuvor eingeschlossene Schmutz und die Ablagerungen aus der Abwasserleitung gespült werden. Sobald der Filter rückgespült (gereinigt) ist, wird das Steuerventil manuell neu auf „Spülen“ und dann auf „Filtern“ umgestellt, um die normale Filterung fortzusetzen.

Spezifikationen

PUMPE	Modell	HCP370-D
	Nennspannung <small>Und</small>	Wechselstrom 220–240V, 50Hz 450 W
	Bin p	2.1A
	Max.heat D	11 m
	Max.flo In	13000L/H
	Schutzklasse S	IPX5
	Isolationsklasse	F

Top Mount Filter	Filterdurchmesser	14"
	Effektive Filterfläche	0,099 m ²
	Tankvolumen	29L
	Benötigter Medientyp	#20 Quarzsand
	Benötigte Medienmenge Max.	26kg
	Betriebsdruck	35psi

INSTALLATION DES FILTERS

Lesen und verstehen Sie alle Anweisungen, bevor Sie versuchen, installieren, bedienen oder warten Sie Ihr Pumpen- und Sandfiltersystem.

1. Alle Einzelteile vorsichtig aus dem Karton nehmen und prüfen auf sichtbare Schäden. Wenn der Karton oder Teile beschädigt sind, wenden Sie sich an den Verkäufer oder Frachtunternehmen.

⚠ WARNING

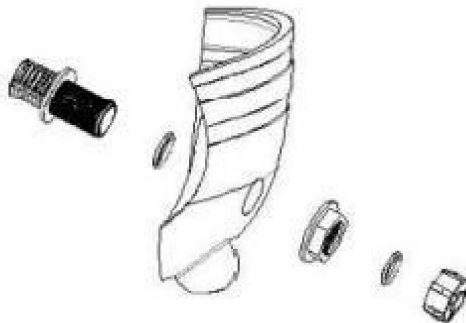
Eine Blockierung der Sauganschlüsse kann zu schweren oder tödlichen Verletzungen durch Ertrinken führen. Um das Verletzungsrisiko zu verringern, lassen Sie Kinder nicht

⚠ WARNING

Arbeiten Sie niemals an der Pumpe, während sie läuft oder die Stromversorgung noch eingeschaltet ist. Hohe Spannung kann zu schweren oder tödlichen Verletzungen führen. An der Stromversorgungsquelle dieses Geräts sollte immer ein geeigneter Fehlerstrom-Schutzschalter (GFCI) installiert sein. Erden Sie den Motor unbedingt, bevor Sie ihn an die Wechselstromversorgung anschließen. Wird der Motor nicht geerdet, kann dies zu schweren oder tödlichen Stromschlägen führen. NICHT Boden an eine Gasversorgungsleitung.

2. Das Filtersystem sollte nicht mehr als 50 cm über dem Wasserspiegel des Pools auf einer ebenen Betonplatte, sehr festem Boden oder einer gleichwertigen Unterlage installiert werden, wie von Ihrem Poolhändler empfohlen. Wenn der Filter mit Sand und Wasser gefüllt ist, kann er mehrere hundert Pfund wiegen. Positionieren Sie den Filter so, dass die Rohrverbindungen, das Steuerventil und der Winterablauf zugänglich für Betrieb, Wartung und Winterfestmachen.

3. Montieren Sie den Abfluss an den unteren Auslass an der Unterseite des Filters Tank. Stellen Sie sicher, dass die O-Ringe richtig montiert sind, um ein Austreten von Wasser zu verhindern. Siehe Abbildung unten.



4. Setzen Sie den Filterbehälter auf den Systemsockel und drehen Sie ihn ein wenig im Uhrzeigersinn. Positionieren Sie den Filtertank so, dass der Winterablauf in die entgegengesetzte Richtung zeigt die Pumpe.

5. Montieren Sie die Pumpe an der Systembasis.

6. Platzieren Sie das Standrohr und die Unterdrainageeinheit in der Mitte des Tank. Verschließen Sie das Standrohr mit einem Sandschutz, um das Eindringen von Sand zu verhindern. Füllen Sie den Tank etwa zur Hälfte mit Wasser. (Stellen Sie sicher, dass die Winter-Ablasskappe sicher an Ort und Stelle). Füllen Sie vorsichtig die richtige Menge und Qualität des Filters ein Sand (Achten Sie darauf, dass das Standrohr mittig in der Öffnung bleibt).

 **IMPORTANT**

Sie dürfen nur Standard-Quarzsand Nr. 20 mit einer Einheitlichkeit verwenden Koeffizient von 1,75 oder weniger. Quarzsand Nr. 20 hat eine Partikelgröße von 0,018–0,022 Zoll (0,45 bis 0,55 mm).

Hinweis: Sand ist nicht im Lieferumfang enthalten.

7. Entfernen Sie den Sandschutz vom Standrohr. Waschen Sie den gesamten Sand um die Öffnung oben am Tank. Stellen Sie sicher, dass die Oberseite des Filters frei von Sand oder Schmutz und der Ventil-O-Ring ist am Ventilkörper angebracht. Filter einsetzen. Regelventil in den Tankhals einführen, dabei darauf achten, dass das Steigrohr in den Loch im Boden des Ventils.

8. Positionieren Sie das Ventil so, dass die Anschlüsse in der gewünschten Endposition sind. Position. Ventilanschlüsse sind mit der Position gekennzeichnet, an der sie angebracht werden sollen angeschlossen, d. h. der Pumpenanschluss muss zum Pumpenauslass führen, der Abwasseranschluss muss zur Abwasserleitung gehen, und der Rücklaufanschluss muss zum Poolrücklauf gehen.

9. Wischen Sie den Filterflansch sauber. Legen Sie die Flanschklemme um den Tank und Ventilflansch und montieren Sie die Schrauben und Muttern mit dem Inbusschlüssel.

Klemmschrauben fest anziehen und Ventiltank und Klemmbaugruppe optisch überprüfen um sicherzustellen, dass die Verbindung richtig montiert ist.

 **WARNING**

Hochdruck:

Eine unsachgemäße Montage des Tankventils könnte dazu führen, dass sich das Ventil löst und schwere Verletzungen und/oder erhebliche Sachschäden verursacht.

10. Wickeln Sie ein für Kunststoffrohre hergestelltes Teflonrohr um das 14-Zoll-NPT-Außenende des Manometers. Schrauben Sie das Manometer vorsichtig in die 1/4-Zoll-NPT-Gewindebohrung im Ventilkörper. Nicht zu fest anziehen.

11. Schrauben Sie die Schlauchadapter in den mit „PUMP“ gekennzeichneten Steuerventilanschluss und in den Pumpenauslassanschluss. Wickeln Sie fünf Windungen Teflonrohr um jeden Schlauchadapter. Verbinden Sie die Schlauchadapter mit einem 1,5-Zoll-Schlauch und befestigen Sie sie mit einer Schlauchschele.

12. Stellen Sie eine Rücklaufverbindung zum Poolrohr her, bis zur mit „RETURN“ gekennzeichneten Öffnung des Steuerventils, und schließen Sie alle anderen erforderlichen Wasseranschlüsse, Abwasserleitungen, Saugleitungen zur Pumpe usw. an.

13. Um ein Austreten von Wasser zu verhindern, achten Sie darauf, dass die Winterablaufkappe fest sitzt und alle Rohrverbindungen dicht sind.

 **CAUTION**

SICHERHEITSETIKETTEN IN GUTEM ZUSTAND HALTEN UND BEI BEDARF AUSZUWEISEN FEHLT ODER IST BESCHÄDIGT.

FUNKTIONEN DES FILTERSTEUERVENTILS

FILTER: Von der Pumpe durch das Ventil, nach unten durch das Filtersandbett, nach oben durch das Mittelrohr zum Rücklaufanschluss des Ventils und zurück zum Pool für eine normale Filterwirkung und zum Absaugen des Pools durch den Filter.

RÜCKSPÜLUNG: Von der Pumpe durch das Ventil, nach unten durch das Mittelrohr, nach oben durch den Filtersand zum Ventil und zum Abfallanschluss hinaus. Diese Position wird zum Reinigen des Filters durch Umkehren des Durchflusses verwendet.

SPÜLEN: Von der Pumpe durch das Ventil nach unten durch den Filtersand nach oben durch das Mittelrohr zum Ventil und zum Abfallanschluss. Diese Position ist

Wird zur Erstreinigung und Neuberuhigung des Filterbetts nach der Rückspülung verwendet.

ABFALL: Von der Pumpe durch das Ventil, umgeht den Filter und gelangt in

Diese Position dient zum direkten Absaugen des Abfalls, Absenken des Poolebene oder

Entleeren des Pools.

SCHLIESSEN: KEIN FLUSS IN DIESER POSITION - DIESE EINSTELLUNG NICHT VERWENDEN

WÄHREND DIE PUMPE IN BETRIEB IST.

WINTER: Ventilposition für einen winterfesten Filter.

ERSTE INBETRIEBNAHME

1. Reinigen Sie einen neuen Pool, bevor Sie ihn mit Wasser füllen.

Übermäßiger Schmutz und große Partikel können die Pumpe beschädigen und Filter.

2. Stellen Sie sicher, dass alle Saug- und Abwasserleitungen des Pools geöffnet sind, damit das Wasser freier Durchfluss vom Pool zur Abwasserleitung. Stellen Sie das Regelventil auf die Position BACKWASH.

3. Überprüfen Sie die Ventilklemme auf festen Sitz.

4. Überprüfen Sie den Pumpensiebtopf, um sicherzugehen, dass er mit Wasser gefüllt ist (Stellen Sie sicher, dass der Schlauch ist mit Wasser gefüllt, wenn kein Siebkorb vorhanden ist). Ziehen Sie den Pumpendeckel fest.

Befüllen und starten Sie die Pumpe, damit sich der Filtertank mit Wasser füllt.



LASSEN SIE DEN SANDFILTER NICHT TROCKEN LAUFEN.

5. Sobald der Wasserfluss aus der WASTE-Leitung stabil ist, lassen Sie die Pumpe mindestens mindestens 2 Minuten oder bis das Rückspülwasser sauber ist. Diese erste

Es wird empfohlen, den Filter rückzuspülen, um eventuelle Verunreinigungen durch Feinstaub zu entfernen. Sandpartikel im Quarzsandmedium.

6. Schalten Sie die Pumpe aus und stellen Sie das Ventil auf die Position „SPÜLEN“. Stellen Sie sicher, dass alle Die Saug- und Abwasserleitungen des Pools sind geöffnet, sodass das Wasser ungehindert fließen kann.

vom Pool zur Abwasserleitung. HALTEN SIE SICH VOM FILTER FERN und starten Sie den Pumpe.

7. Lassen Sie die Pumpe mindestens zwei Minuten lang laufen.

8. Schalten Sie die Pumpe aus und stellen Sie das Ventil auf die Position „FILTER“. Stellen Sie sicher, dass alle Saug- und Rücklaufleitungen des Pools sind geöffnet, sodass das Wasser ungehindert fließen kann vom und zurück zum Pool. HALTEN SIE SICH VOM FILTER fern und starten Sie den Pumpe.

9. Der Filter hat nun seinen Filterzyklus gestartet. Stellen Sie sicher, dass Wasser in den Pool zurückfließt und beachten Sie den Betriebsdruck, wenn der Filter ist sauber.

10. Überprüfen Sie das System auf Wasserlecks. Wenn ein Leck gefunden wird, schalten Sie die Pumpe aus bevor Sie das Leck beheben.

11. Da der Filter Schmutz und Verunreinigungen aus dem Poolwasser entfernt, Ansammlung führt zu einem Anstieg des Filterdrucks und zu einem Durchfluss zum Wenn der Druckmesser 5-10 psi höher ist als der

Wenn der oben angegebene Messwert für den sauberen Filter vorliegt, ist es Zeit, den Filter rückzuspülen.

REINIGUNG

1. Der Filter eines neuen Pools sollte rückgespült und gereinigt werden nach ca. 48 Betriebsstunden zur Reinigung von Gipsstaub und/oder Bauschutt.

2. Es gibt drei verschiedene Möglichkeiten, um festzustellen, wann der Filter benötigt wird Rückspülung.

· Die genaueste Anzeige bei Poolsystemen mit Durchflussmesser ist

Rückspülen, wenn der Durchfluss um 30 % vom Originalwert abnimmt (sauber Filter-)Fluss. Wenn der ursprüngliche Durchfluss beispielsweise 10000L/H betrug, der Filtersolltewieder da sein-

gewaschen, wenn der Durchfluss um ca. 3000 l/h (oder 30 %) reduziert ist

- Ein subjektiverer und weniger genauer Indikator ist die Beobachtung der Menge des Wassers, das aus den in der Wand des Filters fließt.
Der Filter sollte rückgespült werden, sobald festgestellt wird, dass der Durchfluss wurde reduziert.
 - Der am häufigsten verwendete, aber weniger genaue Indikator ist die Rückspülung wenn der Filtermesswert um 10 PSI über den Anfangswert ansteigt (sauber Filterablesung).
3. Es ist wichtig, den Filter nicht ausschließlich zeitweise rückzuspülen, wie z. B. alle drei Tage. Es ist auch wichtig zu beachten, dass Rückspülen zu häufig tatsächlich verursacht schlechte Filtration. Faktoren wie Wetterbedingungen, Starke Regenfälle, Staub oder Pollen sowie Wassertemperaturen beeinflussen die Frequenz von Rückspülung. Wenn Sie Ihren Pool benutzen, werden Sie sich dieser Einflüsse.
4. Um Schäden an Pumpe und Filter zu vermeiden und für den ordnungsgemäßen Betrieb des Reinigen Sie das Pumpensieb und die Skimmerkörbe regelmäßig.
5. Wenn der Startdruck nach dem Rückspülen des Filters zu irgendeinem Zeitpunkt 4 anzeigt bis zu 6 PSI höher als der normale Startdruck ist es Zeit, eine chemisches Reinigungsverfahren.

FILTER-RÜCKSPÜLVERFAHREN

1. Stoppen Sie die Pumpe.



Schalten Sie die Pumpe immer aus, bevor Sie die Ventilpositionen ändern.

Das Ändern der Ventilpositionen bei laufender Pumpe kann zu Schäden an der Steuerventil, was zu schweren Verletzungen oder Sachschäden führen kann.

2. Stellen Sie sicher, dass die Saug- und Abfalleitungen geöffnet sind, so dass das Wasser frei ist aus dem Pool kommen und durch die ABFALL-Leitung abfließen. Stellen Sie das Steuerventil auf

die Position „BACKWASH“.

3. Halten Sie Abstand vom Filter und starten Sie die Pumpe.

4. Filter etwa 3 bis 5 Minuten lang rückspülen oder bis das Rückspülwasser ist sauber

5. Stoppen Sie die Pumpe und stellen Sie das Ventil auf die Position „SPÜLEN“.

6. Halten Sie Abstand vom Filter und starten Sie die Pumpe.

7. Spülen Sie den Filter etwa 30 Sekunden lang.

8. Stoppen Sie die Pumpe und stellen Sie das Ventil auf die Position „FILTER“.

9. Stellen Sie sicher, dass die Rücklaufleitung des Pools geöffnet ist, so dass das Wasser ungehindert fließen kann. der Filter zurück zum Pool.

10. HALTEN SIE SICH VOM FILTER AB UND STARTEN SIE DIE PUMPE.

11. Der Filter hat nun seinen Filterzyklus gestartet. Überprüfen Sie, ob das Wasser zurückfließt zum Pool und achten Sie auf den Filterdruck, wenn der Filter sauber ist.

12. Der Filterdruck in Schritt 11 sollte den Druck nicht überschreiten ursprünglich beim ersten Start des Filters beobachtet wurde. Wenn nach Rückspülen, der Druck liegt 4 bis 6 psi über dem Startwert, es wird notwendig, das Sandbett chemisch zu reinigen.

WINTERFESTIGUNG IHRES FILTERS

WARNING

Wenn Wasser im System gefriert, wird das System beschädigt und mögliche Wasserschäden/Überschwemmungen und mögliche Sachschäden verursachen

In Gegenden mit frostigen Wintertemperaturen muss die Poolausrüstung zum Schutz vor Beschädigungen winterfest machen.

1. Den Sandfilter rückspülen.

2. Nach dem Rückspülen die Pumpe ausschalten und den Griff des Ventils bewegen in die Stellung WINTER.



Das Mehrwegeventil sollte während der Andernfalls kann das System beschädigt werden, was durch austretendes Wasser Sachschäden verursachen.

3. Entfernen Sie die Ablasskappe am Boden des Filterbehälters und lassen Sie die Kappe im Winter abschalten. Filterbehälter vollständig entleeren.

4. Entleeren Sie die Pumpe und machen Sie sie winterfest.

5. Entleeren Sie alle entsprechenden Systemleitungen.

Filter winterfest machen - Fehlerbehebung

<p>Poolwasser ist nicht ausreichend sauber.</p>	<ol style="list-style-type: none"> 1. Die Poolchemie ist nicht ausreichend zur Algenhemmung Wachstum. 2. Unzulässige Menge oder falsche Sandgröße. 3. Unzureichende Umschlagsrate. 	<ol style="list-style-type: none"> 1. Pflegen Sie die Chemie Ihres Pools oder wenden Sie sich an einen Service Techniker. 2. Überprüfen Sie die Tiefe des Sandbetts und Sandgröße oder konsultieren Sie ein Pool-Service-Techniker. 3. Lassen Sie das System eine längerer Zeit oder konsultieren Sie einen Händler oder Poolservice Techniker.
<p>Leckage des Steuerventils</p>	<ol style="list-style-type: none"> 1. Steuerventil ist eingestellt zwischen zwei Funktionen. 2. Die Dichtung ist kaputt. 	<ol style="list-style-type: none"> 1. Stellen Sie das Ventil auf die ordnungsgemäße Funktion. 2. Ersetzen Sie die Dichtung.
<p>Der Motor ist Lläuft, aber kein Wasser fließt durch die Pumpe.</p>	<ol style="list-style-type: none"> 1. Luft gelangt in das System. 2. Saughöhe zu hoch, falsche Position. 	<ol style="list-style-type: none"> 1. Überprüfen Sie alle Schläuche/Rohre Verbindungen und stellen Sie sicher der Siebdeckel ist festgezogen. 2. Positionieren Sie die System/Pumpe auf einen niedrigeren Ort.

Sand fließt in die Pool.	<ol style="list-style-type: none"> 1. Der Sand ist zu klein. 2. Der Sandpegel ist zu hoch. 3. Defekter Unterdrain Montage. 	<ol style="list-style-type: none"> 1. Verwenden Sie Quarzsand Nr. 20 2. Senken Sie den Sandstand auf 2/3 des Filters 3. Ersetzen Sie defekte oder beschädigte Baugruppe.
Höherer Filterdruck.	<ol style="list-style-type: none"> 1. Unzureichendes Rückspülen. 2. Teilweise geschlossenes Ventil oder Beschränkung. 	<ol style="list-style-type: none"> 1. Rückspülen bis Abwasser läuft klar. 2. Öffnen Sie das Ventil oder entfernen die Behinderung in der Rücklaufleitung.
Rücklauf zum Becken vermindert, niedriger Filter Druck,	<ol style="list-style-type: none"> 1. Verstopfung in der Pumpe. 2. Verstopfung der Saugleitung Leitung zur Pumpe. 	<ol style="list-style-type: none"> 1. Zerlegen und reinigen die Pumpe. Sieb/Skimmer reinigen Korb. 2. Beseitigen Sie die Verstopfung in Linien .

Richtige Entsorgung

Dieses Produkt unterliegt den Bestimmungen der europäischen Richtlinie 2012/19/EU.

Das Symbol einer durchgestrichenen Mülltonne weist darauf hin, dass das Produkt erfordert in der Europäischen Union eine getrennte Müllentsorgung. Dies gilt für die

Produkt und alle mit diesem Symbol gekennzeichneten Zubehörteile. Als solche gekennzeichnete Produkte dürfen nicht mit dem normalen Hausmüll entsorgt werden, sondern müssen eine Sammelstelle für das Recycling von elektrischen und elektronischen Geräten.



VEVOR[®]

TOUGH TOOLS, HALF PRICE

Technischer Support und E-Garantie-Zertifikat

www.vevor.com/support

VEVOR[®]

TOUGH TOOLS, HALF PRICE

Supporto tecnico e certificato di garanzia
elettronica www.vevor.com/support

POMPA PER PISCINA

VITTORIA DELL'USRL

MODELLO:HCP370-D

Continuiamo a impegnarci per fornirvi strumenti a prezzi competitivi.

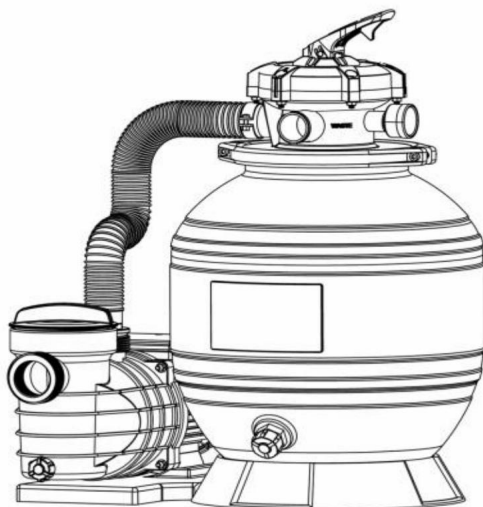
"Risparmia la metà", "Metà prezzo" o qualsiasi altra espressione simile da noi utilizzata rappresenta solo una stima del risparmio che potresti ottenere acquistando determinati utensili con noi rispetto ai principali marchi principali e non significa necessariamente coprire tutte le categorie di utensili da noi offerti. Ti ricordiamo gentilmente di verificare attentamente quando effettui un ordine con noi se stai effettivamente risparmiando la metà rispetto ai principali marchi principali

VEVOR[®]

TOUGH TOOLS, HALF PRICE

POMPA PER PISCINA

MODELLO:HCP370-D



HAI BISOGNO DI AIUTO? CONTATTACI!

Hai domande sui prodotti? Hai bisogno di supporto tecnico? Non esitare a contattarci:

Supporto tecnico e certificato di garanzia elettronica

www.vevor.com/support

Questa è l'istruzione originale, si prega di leggere attentamente tutte le istruzioni del manuale prima di utilizzare. VEVOR si riserva una chiara interpretazione del nostro manuale utente. L'aspetto del prodotto sarà soggetto al prodotto ricevuto. Vi preghiamo di perdonarci se non vi informeremo di nuovo se ci sono aggiornamenti tecnologici o software sul nostro prodotto.

AVVERTENZE IMPORTANTI E SICUREZZA

DANGER

SE QUESTA SABBIA SI VERIFICASSERO GRAVI LESIONI FISICHE O MORTE
IL FILTRO NON È INSTALLATO E UTILIZZATO CORRETTAMENTE.

DANGER

INSTALLATORI, OPERATORI DI PISCINE E PROPRIETARI DI PISCINE DEVONO LEGGERE
QUESTE AVVERTENZE E TUTTE LE ISTRUZIONI PRIMA DI UTILIZZARE QUESTO
FILTRO A SABBIA.

WARNING

Questo filtro a sabbia è destinato all'uso in piscine.

WARNING

La maggior parte degli stati e dei codici locali regolano la costruzione, l'installazione e
gestione di piscine e centri termali pubblici e costruzione di piscine residenziali
e centri termali. È importante rispettare questi codici, molti dei quali riguardano direttamente
regolano l'installazione e l'uso di questo prodotto. Consultare l'autorità edile locale
e codici sanitari per maggiori informazioni.

WARNING

Non permettere ai bambini di utilizzare o azionare questo filtro a sabbia.

Prima di installare questo prodotto, leggere e seguire tutte le avvertenze e le istruzioni
istruzioni contenute in questa Guida. La mancata osservanza delle avvertenze e delle istruzioni può
causare lesioni gravi, morte o danni alla proprietà.

WARNING

PRIMA DI LAVORARE SUL FILTRO!

Rilascio dell'aria:

Premere verso il basso la maniglia della valvola di controllo per rilasciare l'aria.

NOTA: è importante ripetere questa operazione ogni volta che si

avviare la pompa dopo la messa a riposo per l'inverno, la manutenzione e il controlavaggio.

⚠ CAUTION

Componenti quali il sistema di filtraggio, le pompe e il riscaldatore devono essere posizionati in modo da impedire che vengano utilizzati come mezzo di accesso alla piscina da parte dei bambini piccoli.

⚠ WARNING

Collegare a terra tutti gli apparecchi elettrici prima di collegarli all'alimentazione elettrica. La mancata messa a terra di tutti gli apparecchi elettrici può comportare un rischio grave o mortale di scosse elettriche.

⚠ WARNING

Per evitare scosse elettriche pericolose o mortali, spegnere tutte le apparecchiature elettriche prima di intervenire sui collegamenti elettrici.

⚠ CAUTION

Questo filtro a sabbia è destinato esclusivamente all'uso con piscine riponibili. Non utilizzarlo con piscine installate in modo permanente. La piscina riponibile è costruita in modo da poter essere facilmente smontata per essere riposta e rimontata riportandola alla sua integrità originale. La piscina installata in modo permanente è costruita nel o sul terreno o in un edificio in modo tale da non poter essere facilmente smontata per essere riposta.



L'alta pressione del filtro a sabbia può causare gravi lesioni o ingenti danni materiali a causa della separazione del serbatoio.

Prima di intervenire sul filtro a sabbia, scaricare tutta la pressione e leggere le istruzioni.

Se il morsetto del filtro viene regolato sotto pressione, il serbatoio può

separarsi, causando gravi lesioni o ingenti danni materiali.



RISCHIO DI SCOSSE ELETTRICHE O ELETTROCUZIONE: LE POMPE

RICHIEDONO ALTA TENSIONE, CHE PUÒ CAUSARE SCOSSE, BRUCIATURA O MORTE.

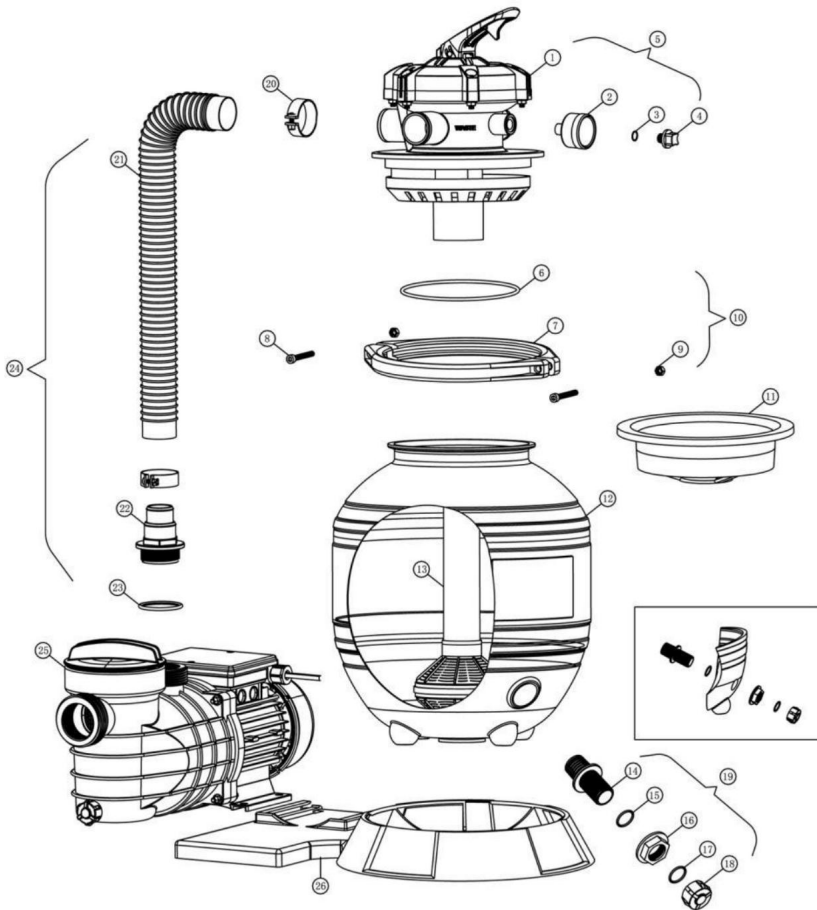
PRIMA DI LAVORARE SULLA POMPA!

Prima di effettuare la manutenzione della pompa, scollegare sempre l'alimentazione dalla pompa della piscina tramite l'interruttore automatico. In caso contrario, potrebbero verificarsi lesioni gravi o mortali al tecnico addetto all'assistenza, agli utenti della piscina o ad altri a causa di scosse elettriche.



Una pompa per piscina o spa deve essere installata da un professionista qualificato in materia di servizi per piscine e spa, in conformità con il Codice elettrico nazionale e tutti i codici e le ordinanze locali applicabili. Un'installazione non corretta può creare un pericolo elettrico che potrebbe causare la morte o gravi lesioni agli utenti della piscina, agli installatori o ad altri a causa di scosse elettriche e potrebbe anche causare danni alla proprietà.

SCHEMA DI MONTAGGIO



Numero	Descrizione	Quantità
1	Valvola 1-1/2in.5 vie Stile	1
2	morsetto	1
3	Manometro	1
4	O-ring, tappo Tappo,	1
5	manometro	1
6	Gruppo valvola O-ring, valvola	1

7	Morsetto flangiato	2
8	Vite	2
9	Noce	2
10	Gruppo morsetto	1
11	Scudo di sabbia	1
12	Serbatoio del filtro	1
13	Gruppo tubo di scarico e scarico sottotraccia	1
14	Rubinetto di scarico	1
15	O-ring, tappo	1
16	Dado di scarico	1
17	O-ring, tappo	1
18	Tappo di scarico	1
19	Kit di scarico	1
20	Fascetta	5
21	stringitubo Pompa per	1
22	tubo flessibile	2
23	filtro Adattatore tubo	1
24	flessibile O-ring Adattatore tubo	1
25		1
26	flessibile Gruppo pompa per filtro	Pompa Base 1 pompa

PANORAMICA DEL FILTRO

Il tuo filtro a sabbia ad alta velocità è progettato per produrre acqua limpida e frizzante e funzionare per anni con una manutenzione minima quando installato e utilizzato e mantenuti in conformità alle presenti istruzioni.

Il filtro utilizza una speciale sabbia filtrante per rimuovere le particelle di sporco dall'acqua della piscina. La sabbia filtrante viene caricata nel serbatoio del filtro e funziona come mezzo di rimozione dello sporco. L'acqua della piscina, che contiene particelle di sporco sospese, viene pompata attraverso il sistema di tubazioni e viene automaticamente indirizzata dalla valvola di controllo del filtro verso la parte superiore del serbatoio del filtro. Quando l'acqua della piscina viene pompata attraverso la sabbia del filtro, le particelle di sporco vengono intrappolate dal letto di sabbia e filtrate. L'acqua pulita della piscina scorre dal fondo del serbatoio del filtro, attraverso il tubo di mandata e torna alla valvola sulla parte superiore del filtro, dove l'acqua pulita viene restituita alla piscina attraverso le tubazioni o i tubi flessibili.

Dopo un certo periodo di tempo, lo sporco accumulato nel filtro crea una resistenza al flusso e il flusso diminuisce. Ciò significa che è il momento di pulire (controlavaggio) il filtro. Con la valvola di controllo in posizione di controlavaggio, il flusso dell'acqua viene automaticamente invertito attraverso il filtro in modo da essere diretto verso il fondo del serbatoio, attraverso la sabbia, eliminando lo sporco e i detriti precedentemente intrappolati dalla linea di scarico. Una volta che il filtro è stato sottoposto a controlavaggio (pulito) dallo sporco, la valvola di controllo viene manualmente riprogrammata su Risciacquo e poi Filtraggio per riprendere il normale filtraggio.

SPECIFICHE

POMPA	Modello	HCP370-D
	Tensione nominale E	AC220-240V,50Hz 450W
	Sono p	2.1Un
	Altezza massima D	11 metri
	Max.flo In	13000L/H
	Classe di protezioneS	<small>Grado di protezione IP55</small>
	Classe di isolamento	F

Filtro a montaggio superiore	Diametro del filtro	14"
	Area di filtrazione effettiva	0,099 ÿ
	Volume del serbatoio	29 litri
	Tipo di supporto richiesto	#20 sabbia silicea
	Quantità di supporto richiesta	26kg
	Pressione di esercizio massima	35psi

INSTALLAZIONE DEL FILTRO

Leggere e comprendere tutte le istruzioni prima di tentare di installare, utilizzare o effettuare la manutenzione del sistema di pompaggio e filtro a sabbia.

1. Rimuovere con attenzione tutti i singoli componenti dalla scatola e ispezionarli per eventuali danni visibili. Se la scatola o le parti sono danneggiate, contattare il venditore o compagnia di trasporto merci.

⚠ WARNING

Il blocco dei raccordi di aspirazione può causare lesioni gravi o mortali dovute all'annegamento.
Per ridurre il rischio di lesioni, non consentire ai bambini di utilizzare

⚠ WARNING

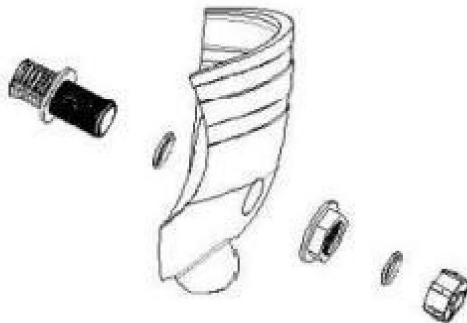
Non lavorare mai sulla pompa mentre è in funzione o è ancora collegata all'alimentazione. L'alta tensione può causare lesioni gravi o mortali. Un interruttore differenziale (GFCI) adatto deve sempre essere installato sulla fonte di alimentazione di questa unità. Assicurarsi di mettere a terra il motore prima di collegarlo all'alimentazione elettrica CA. La mancata messa a terra del motore può causare un rischio di scosse elettriche gravi o mortali. **NON** messa a terra di una condotta di gas.

2. Il sistema di filtraggio deve essere installato a non più di 50 cm dal livello dell'acqua della piscina, su una lastra di cemento livellata, su un terreno molto solido o equivalente, come consigliato dal rivenditore della piscina. Quando il filtro è riempito di sabbia e acqua, può pesare diverse centinaia di libbre. Posizionare il filtro in modo che i collegamenti delle tubazioni, la valvola di controllo e lo scarico invernale siano

accessibile per l'uso, la manutenzione e la messa a punto invernale.

3. Montare lo scarico sull'uscita inferiore sul fondo del filtro

serbatoio. Assicurarsi che gli O-ring siano montati correttamente per evitare perdite d'acqua. Vedere la figura seguente.



4. Posizionare il serbatoio del filtro sulla base del sistema e ruotare leggermente in senso orario bit. Posizionare il serbatoio del filtro in modo che lo scarico invernale sia rivolto nella direzione opposta a la pompa.

5. Montare la pompa sulla base del sistema.

6. Posizionare il tubo di scarico e il gruppo di scarico inferiore al centro del serbatoio. Coprire il tubo di mandata con uno scudo anti-sabbia per evitare che la sabbia entri Riempiere il serbatoio con circa metà dell'acqua. (Assicurarsi che il tappo di scarico invernale sia saldamente in posizione).Versare con attenzione la quantità e il grado corretti di filtro sabbia (assicurarsi che il tubo di mandata rimanga centrato nell'apertura).

 **IMPORTANT**

È necessario utilizzare solo sabbia silicea standard n. 20 con una uniformità coefficiente di 1,75 o inferiore. La sabbia silicea n. 20 ha una granulometria di 0,018-0,022 pollici (da 0,45 a 0,55 mm).

Nota: la sabbia non è inclusa.

7. Rimuovere lo scudo di sabbia dal tubo di scarico. Lavare via tutta la sabbia intorno l'apertura nella parte superiore del serbatoio. Assicurarsi che la parte superiore del filtro sia libera da qualsiasi sabbia o detriti e l'o-ring della valvola è in posizione sul corpo valvola. Inserisci filtro Valvola di controllo nel collo del serbatoio, facendo attenzione che il tubo di mandata scivoli nel foro nella parte inferiore della valvola.

8. Posizionare la valvola in modo che le posizioni delle porte siano nella posizione finale desiderata posizione. Le porte delle valvole sono contrassegnate con la posizione in cui dovrebbero essere collegato, cioè la porta della pompa deve andare allo scarico della pompa, la porta di scarico deve andare alla linea di scarico e la porta di ritorno deve andare al ritorno della piscina.

9. Pulire la flangia del filtro. Posizionare il morsetto della flangia attorno al serbatoio e flangia della valvola e montare le viti e i dadi con la chiave esagonale. Serrare serrare saldamente le viti di serraggio e controllare visivamente il serbatoio della valvola e il gruppo del morsetto per garantire che il giunto sia assemblato correttamente.

 **WARNING**

Alta pressione:

Un montaggio non corretto della valvola del serbatoio potrebbe causarne la separazione e causare gravi lesioni personali e/o ingenti danni materiali.

10. Avvolgere un po' di tubo in Teflon realizzato per tubi in plastica sull'estremità maschio da 14"NPT del manometro.

Avvitare con attenzione il manometro nel foro filettato da 1/4"NPT nel corpo valvola. Non serrare eccessivamente.

11. Avvitare gli adattatori del tubo flessibile nella porta della valvola di controllo contrassegnata con PUMP e nella porta di scarico della pompa. Avvolgere cinque giri di tubo in Teflon su ciascun adattatore del tubo flessibile. Collegare gli adattatori del tubo flessibile con un tubo da 1,5" e utilizzare una fascetta stringitubo per fissarli.

12. Effettuare il ritorno del collegamento del tubo della piscina all'apertura della valvola di controllo contrassegnata con RETURN e completare gli altri collegamenti idraulici necessari, le linee di scarico, le linee di aspirazione alla pompa, ecc.

13. Per evitare perdite d'acqua, assicurarsi che il tappo di scarico invernale sia ben posizionato e che tutti i collegamenti dei tubi siano ben serrati.

 **CAUTION**

MANTENERE LE ETICHETTE DI SICUREZZA IN BUONE CONDIZIONI E SOSTITUIRLE SE MANCANTE O DANNEGGIATO.

FUNZIONI DELLA VALVOLA DI CONTROLLO DEL FILTRO

FILTRO: dalla pompa, attraverso la valvola, verso il basso attraverso il letto di sabbia del filtro, verso l'alto attraverso il tubo centrale fino alla porta di ritorno della valvola e di nuovo alla piscina per la normale azione di filtraggio e l'aspirazione della piscina attraverso il filtro.

CONTROLAVAGGIO: dalla pompa, attraverso la valvola, giù attraverso il tubo centrale, su attraverso la sabbia del filtro fino alla valvola e alla porta di scarico. Questa posizione viene utilizzata per pulire il filtro invertendo il flusso.

RISCIACQUO: Dalla pompa, attraverso la valvola, verso il basso attraverso la sabbia del filtro, verso l'alto attraverso il tubo centrale alla valvola e alla porta di scarico. Questa posizione è

utilizzato per la pulizia iniziale e il ripristino del letto filtrante dopo il controlavaggio.

RIFIUTI:Dalla pompa,attraverso la valvola,bypassa il filtro e va a

la porta di scarico. Questa posizione è per aspirare direttamente nei rifiuti, abbassando il

livello della piscina, o

svuotamento della piscina.

CHIUDI:NESSUN FLUSSOIN QUESTA POSIZIONE-NON UTILIZZARE QUESTA IMPOSTAZIONE
MENTRE LA POMPA È IN FUNZIONE.

INVERNO: Posizione della valvola per un filtro invernale.

AVVIO INIZIALE

1. Se la piscina è nuova, pulirla prima di riempirla d'acqua.

Sporcizia eccessiva e particelle di grandi dimensioni possono danneggiare la pompa e filtro.

2. Assicurarsi che tutte le linee di aspirazione e di scarico della piscina siano aperte in modo che l'acqua sia libero di fluire dalla piscina alla linea di SCARICO. Impostare la valvola di controllo su posizione BACKWASH.

3. Controllare che il morsetto della valvola sia ben stretto.

4. Controllare il filtro della pompa per assicurarsi che sia pieno d'acqua (assicurarsi che il tubo è pieno d'acqua se non c'è il cestello filtrante).Stringere il coperchio della pompa.

Adescare e avviare la pompa, consentendo al serbatoio del filtro di riempirsi d'acqua.



NON FARE FUNZIONARE A SECCO IL FILTRO A SABBIA.

5. Una volta che il flusso d'acqua è stabile dalla linea di scarico, far funzionare la pompa per almeno almeno 2 minuti o fino a quando l'acqua del controlavaggio non è pulita. Questa fase iniziale

si consiglia il controlavaggio del filtro per rimuovere eventuali impurità di tipo fine particelle di sabbia nel supporto di sabbia silicea.

6. Spegnerla pompa e impostare la valvola sulla posizione "RISCIACQUO". Assicurarsi che tutti le linee di aspirazione e di scarico della piscina sono aperte in modo che l'acqua possa fluire liberamente

dalla piscina alla linea di SCARICO. ALLONTANARSI DAL FILTRO e avviare il pompa.

7. Far funzionare la pompa per almeno due minuti.

8. Spegnerla pompa e impostare la valvola sulla posizione "FILTRO". Assicurarsi che tutte le linee di aspirazione e RITORNO della piscina sono aperte in modo che l'acqua possa fluire liberamente da e verso la piscina. ALLONTANARSI DAL FILTRO e avviare il pompa.

9. Il filtro ha ora avviato il ciclo di filtraggio. È necessario assicurarsi che l'acqua torna in piscina e prendi nota della pressione di esercizio quando il filtro è pulito.

10. Controllare il sistema per eventuali perdite d'acqua. Se si riscontra una perdita, spegnere la pompa prima di riparare la perdita.

11. Poiché il filtro rimuove lo sporco e le impurità dall'acqua della piscina, l'accumulo causerà l'aumento della pressione del filtro e il flusso verso diminuire. Quando la lettura del manometro è 5-10 psi superiore a quella

Dopo aver pulito il filtro come indicato sopra, è il momento di effettuare il controlavaggio del filtro.

PULIZIA

1. Il filtro di una nuova piscina deve essere sottoposto a controlavaggio e pulito dopo circa 48 ore di funzionamento per pulire la polvere di intonaco e/o detriti edili.

2. Esistono tre modi diversi per identificare quando il filtro ha bisogno controlavaggio.

·L'indicatore più accurato sui sistemi di piscine con un misuratore di portata è controlavaggio quando il flusso diminuisce del 30% rispetto all'originale (pulito filtro)flusso. Ad esempio, se il flusso originale era 10000L/H, il filtro dovrebbe essere tornato-

lavato quando il flusso è ridotto di circa 3000 L/H (o 30%)

-Un indicatore più soggettivo e meno accurato è osservare la quantità

dell'acqua che scorre dai direzionali di flusso situati nella parete del piscina. Il filtro deve essere sottoposto a controlavaggio una volta rilevato che il flusso è stato ridotto.

-L'indicatore più comunemente utilizzato ma meno accurato è il controlavaggio

quando la lettura del misuratore del filtro aumenta di 10 PSI rispetto all'iniziale (pulito lettura)filtro.

3. È importante non effettuare il controlavaggio del filtro esclusivamente in base a un determinato tempo, ad esempio ogni tre giorni. È anche importante notare che anche il controlavaggio spesso causa effettivamente una scarsa filtrazione. Fattori come le condizioni meteorologiche, forti piogge, polvere o polline e temperature dell'acqua influenzano la frequenza di controlavaggio. Mentre utilizzi la tua piscina, diventerai consapevole di questi influenze.

4. Per evitare danni alla pompa e al filtro e per il corretto funzionamento dell' sistema, pulire regolarmente il filtro della pompa e i cestelli dello skimmer.

5. Se, in qualsiasi momento, la pressione di avvio dopo il controlavaggio del filtro indica 4 a 6 PSI superiore alla normale pressione di avviamento, è il momento di eseguire un procedura di pulizia chimica.

PROCEDURA DI CONTROLAVAGGIO DEL FILTRO

1. Arrestare la pompa.

WARNING

Spegnere sempre la pompa prima di modificare la posizione della valvola.

La modifica della posizione della valvola mentre la pompa è in funzione può danneggiare la valvola di controllo, che potrebbe causare gravi lesioni o danni alla proprietà.

2. Assicurarsi che le linee di aspirazione e di scarico siano aperte in modo che l'acqua sia libera per provenire dalla piscina e defluire nella linea di SCARICO. Impostare la valvola di controllo su

posizione "CONTROLAVAGGIO".

3. ALLONTANARSI DAL FILTRO e avviare la pompa.

4. Lavare il filtro per circa 3-5 minuti o fino a quando l'acqua non si sarà risciacquata.
è pulito

5. Arrestare la pompa e impostare la valvola sulla posizione "RISCIACQUO".

6. ALLONTANARSI DAL FILTRO e avviare la pompa.

7. Risciacquare il filtro per circa 30 secondi.

8. Arrestare la pompa e impostare la valvola sulla posizione "FILTRO".

9. Assicurarsi che la linea di RITORNO della piscina sia aperta in modo che l'acqua possa fluire liberamente da
il filtro torna alla piscina.

10. ALLONTANARSI DAL FILTRO e avviare la pompa.

11. Il filtro ha ora avviato il ciclo di filtraggio. Verificare che l'acqua ritorni
alla piscina e prendere nota della pressione del filtro quando questo è pulito.

12. La pressione del filtro nel passaggio 11 sopra non deve superare la pressione
originariamente osservato sul filtro quando è stato avviato inizialmente. Se, dopo
lavaggio in controcorrente, la pressione è da 4 a 6 psi al di sopra della condizione di partenza, sarà
necessario pulire chimicamente il letto di sabbia.

PREPARAZIONE PER L'INVERNO DEL FILTRO



Lasciare che l'acqua congeli nel sistema danneggerà il sistema e
causare potenziali danni causati dall'acqua/allagamenti e potenziali danni alla proprietà

Nelle zone con temperature invernali gelide, l'attrezzatura della piscina deve essere
trattata per l'inverno per proteggerli dai danni.

1. Eseguire il controlavaggio del filtro a sabbia.

2. Dopo il lavaggio, spegnere la pompa e spostare la maniglia della valvola
alla posizione INVERNALE.



La valvola multiporta deve essere lasciata in posizione "INVERNO" durante la stagione di chiusura. In caso contrario, il sistema potrebbe danneggiarsi, il che può causare danni materiali dovuti a perdite d'acqua.

3. Rimuovere il tappo di scarico sul fondo del serbatoio del filtro e lasciare il tappo spento durante l'inverno. Svuotare completamente il serbatoio del filtro.

4. Svuotare la pompa e metterla a riposo per l'inverno.

5. Svuotare tutte le tubazioni del sistema.

RISOLUZIONE DEI PROBLEMI DEL FILTRO PER L'INVERNO

L'acqua della piscina non è sufficientemente pulito.	<ol style="list-style-type: none"> 1. La chimica della piscina non è adeguato per inibire le alghe crescita. 2. Quantità impropria o dimensione della sabbia sbagliata. 3. Tasso di turnover inadeguato. 	<ol style="list-style-type: none"> 1. Mantenere la chimica della piscina o consultare un servizio tecnico. 2. Controllare la profondità del letto di sabbia e dimensione della sabbia o consultare un tecnico addetto alla manutenzione delle piscine. 3. Eseguire il sistema per un tempo più lungo o consultare un rivenditore o servizio piscina tecnico.
Perdita della valvola di controllo	<ol style="list-style-type: none"> 1. La valvola di controllo è impostata tra due funzioni. 2. La guarnizione è rotta. 	<ol style="list-style-type: none"> 1. Impostare la valvola su funzione corretta. 2. Sostituire la guarnizione.
Il motore è Corrente, ma senza acqua scorre attraverso il pompa.	<ol style="list-style-type: none"> 1. L'aria entra nel sistema. 2. Anche l'altezza di aspirazione posizione alta e scorretta. 	<ol style="list-style-type: none"> 1. Controllare tutti i tubi flessibili/condotture connessioni e garantire il coperchio del colino è serrato. 2. Posizionare il sistema/pompa a un livello inferiore posto.

<p>La sabbia scorre dentro piscina.</p>	<p>1.La sabbia è troppo piccola. 2.Il livello della sabbia è troppo alto. 3.Scarico sottostante rotto assemblaggio.</p>	<p>1. Utilizzare sabbia silicea n. 20 2.Abbassare il livello della sabbia a 2/3 del filtro 3.Sostituire quelli rotti o assemblaggio danneggiato.</p>
<p>Maggiore pressione del filtro.</p>	<p>1.Controlavaggio insufficiente. 2.Valvola parzialmente chiusa o restrizione.</p>	<p>1.Controlavaggio fino all'effluente scorre pulito. 2.Aprire la valvola o rimuovere l'ostruzione nel linea di ritorno.</p>
<p>Flusso di ritorno alla piscina filtro ridotto, basso pressione,</p>	<p>1. Ostruzione nella pompa. 2. Ostruzione nell'aspirazione linea alla pompa.</p>	<p>1.Smontare e pulire la pompa. Pulisci il filtro/schiumatoio cestino. 2.Rimuovere l'ostruzione in linee .</p>

Corretto smaltimento

Questo prodotto è soggetto alle disposizioni della Direttiva europea 2012/19/UE.

Il simbolo raffigurante un bidone della spazzatura barrato indica che il prodotto

richiede la raccolta differenziata dei rifiuti nell'Unione Europea. Ciò vale per

prodotto e tutti gli accessori contrassegnati con questo simbolo. I prodotti contrassegnati come tali

non possono essere smaltiti insieme ai normali rifiuti domestici, ma devono essere portati

in un punto di raccolta per il riciclaggio di apparecchiature elettriche ed elettroniche.



VEVOR[®]

TOUGH TOOLS, HALF PRICE

Supporto tecnico e certificato di garanzia
elettronica www.vevor.com/support

VEVOR®

TOUGH TOOLS, HALF PRICE

Soporte técnico y certificado de garantía
electrónica www.vevor.com/support

BOMBA DE PISCINA

GANANCIA USR_{yo}

MODELO:HCP370-D

Seguimos comprometidos a brindarle herramientas a precios competitivos.

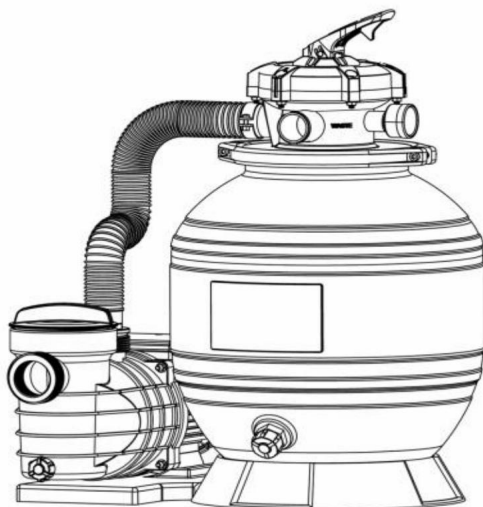
"Ahorre la mitad", "mitad de precio" o cualquier otra expresión similar que utilicemos solo representa una estimación del ahorro que podría obtener al comprar ciertas herramientas con nosotros en comparación con las principales marcas y no necesariamente significa que cubra todas las categorías de herramientas que ofrecemos. Le recordamos que, al realizar un pedido con nosotros, verifique cuidadosamente si realmente está ahorrando la mitad en comparación con las principales marcas.

VEVOR[®]

TOUGH TOOLS, HALF PRICE

BOMBA DE PISCINA

MODELO:HCP370-D



¿NECESITA AYUDA? ¡CONTÁCTENOS!

¿Tiene preguntas sobre el producto? ¿Necesita asistencia técnica? No dude en ponerse en contacto con nosotros:

Soporte técnico y certificado de garantía electrónica www.vevor.com/

support

Estas son las instrucciones originales, lea atentamente todas las instrucciones del manual antes de utilizar el producto. VEVOR se reserva una interpretación clara de nuestro manual de usuario. La apariencia del producto estará sujeta al producto que recibió. Perdónenos por no informarle nuevamente si hay actualizaciones de tecnología o software en nuestro producto.

ADVERTENCIA IMPORTANTE Y SEGURIDAD

DANGER

PUEDEN PRODUCIRSE LESIONES CORPORALES GRAVES O LA MUERTE SI ESTA ARENA EL FILTRO NO ESTÁ INSTALADO NI SE UTILIZA CORRECTAMENTE.

DANGER

LOS INSTALADORES, OPERADORES DE PISCINAS Y PROPIETARIOS DE PISCINAS DEBEN LEER ESTAS ADVERTENCIAS Y TODAS LAS INSTRUCCIONES ANTES DE USAR ESTE FILTRO DE ARENA.

WARNING

Este filtro de arena está diseñado para su uso en aplicaciones de piscinas.

WARNING

La mayoría de los estados y códigos locales regulan la construcción, instalación y explotación de piscinas y spas públicos y construcción de piscinas residenciales y spas. Es importante cumplir con estos códigos, muchos de los cuales afectan directamente regular la instalación y el uso de este producto. Consulte con su autoridad local de construcción y códigos de salud para obtener más información.

WARNING

No permita que los niños utilicen u operen este filtro de arena.

Antes de instalar este producto, lea y siga todos los avisos de advertencia y instrucciones de esta Guía. El incumplimiento de las advertencias e instrucciones puede provocar lesiones graves, muerte o daños a la propiedad.

WARNING

¡ANTES DE TRABAJAR EN EL FILTRO!

Liberación de aire:

Presione hacia abajo la manija de la válvula de control para liberar el aire.

NOTA: Es importante repetir esta operación cada vez que

Encienda la bomba después del invernaje, el mantenimiento y el retrolavado.

⚠ CAUTION

Los componentes como el sistema de filtración, las bombas y el calentador deben colocarse de manera que se evite que los niños pequeños los utilicen como medio de acceso a la piscina.

⚠ WARNING

Conecte a tierra todos los equipos eléctricos antes de conectarlos a la fuente de alimentación eléctrica. No conectar a tierra todos los equipos eléctricos puede provocar un peligro de descarga eléctrica grave o fatal.

⚠ WARNING

Para evitar descargas eléctricas peligrosas o fatales, apague todos los equipos eléctricos antes de trabajar en las conexiones eléctricas.

⚠ CAUTION

Este filtro de arena es para uso exclusivo con piscinas almacenables. No lo use con piscinas instaladas permanentemente. La piscina almacenable está construida de modo que se pueda desmontar fácilmente para su almacenamiento y volver a ensamblar a su integridad original. La piscina instalada permanentemente se construye dentro o sobre el suelo o en un edificio de modo que no se pueda desmontar fácilmente para su almacenamiento.



La alta presión del filtro de arena puede provocar lesiones graves o daños importantes a la propiedad debido a la separación del tanque.

Libere toda la presión y lea las instrucciones antes de trabajar en el filtro de arena.

Si la abrazadera del filtro se ajusta bajo presión, el tanque puede

separarse, causando lesiones graves o daños importantes a la propiedad.



RIESGO DE DESCARGA ELÉCTRICA O ELECTROCUCIÓN: LAS BOMBAS

REQUIEREN ALTO VOLTAJE, QUE PUEDE PROVOCAR DESCARGA ELÉCTRICA, QUEMADURAS O CAUSAR LA MUERTE.

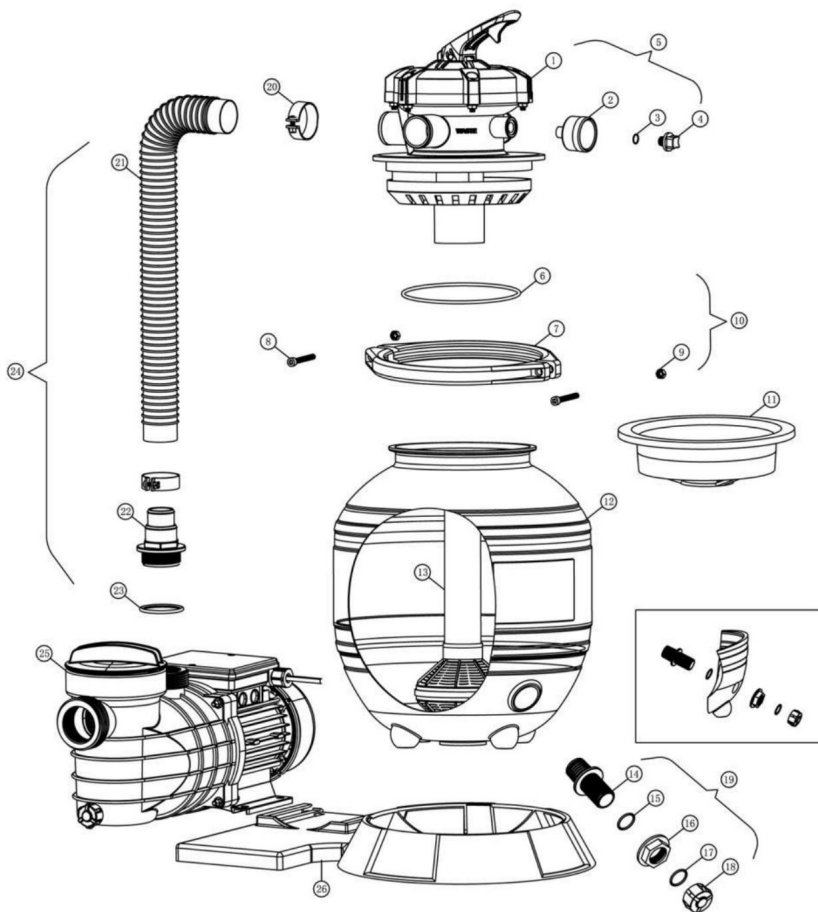
¡ANTES DE TRABAJAR EN LA BOMBA!

Desconecte siempre la alimentación de la bomba de la piscina en el disyuntor de la bomba antes de realizar tareas de mantenimiento en la misma. No hacerlo podría provocar la muerte o lesiones graves al personal de mantenimiento, a los usuarios de la piscina u otras personas debido a una descarga eléctrica.



Una bomba de piscina o spa debe ser instalada por un profesional de servicio de piscinas y spa calificado de acuerdo con el Código Eléctrico Nacional y todos los códigos y ordenanzas locales aplicables. Una instalación incorrecta puede crear un peligro eléctrico que podría provocar la muerte o lesiones graves a los usuarios de la piscina, instaladores u otras personas debido a una descarga eléctrica y también puede causar daños a la propiedad.

DIAGRAMA DE MONTAJE



Número	Descripción	Cantidad
1	Válvula Manómetro estilo abrazadera de	1
2	5 vías de 1-1/2 pulg.	1
3	Junta tórica,	1
4	tapón Tapón, conjunto de	1
5	válvula de manómetro	1
6	Junta tórica, válvula	1

7	Abrazadera de brida	2
8	Tornillo	2
9	Tuerca	2
10	Conjunto de abrazadera	1
11	Escudo de arena	1
12	Tanque de filtrado	1
13	Conjunto de tubo vertical y desagüe inferior	1
14	Grifo de drenaje	1
15	Junta tórica, tapón	1
16	Tuerca de drenaje	1
17	Junta tórica, tapón	1
18	Tapa de drenaje	1
19	Kit de drenaje	1
20	Abrazadera de	5
21	manguera Bomba a filtro	1
22	Manguera Adaptador	2
23	de manguera Junta tórica	1
24	Adaptador de manguera Conjunto de	1
25	bomba	1
26	a filtro Bomba Base de bomba	1

DESCRIPCIÓN GENERAL DEL FILTRO

Su filtro de arena de alta capacidad está diseñado para producir agua clara y cristalina y funcionar durante años con un mínimo de mantenimiento cuando se instala y opera.
y mantenerse de acuerdo con estas instrucciones.

Su filtro utiliza arena filtrante especial para eliminar las partículas de suciedad del agua de la piscina. La arena de filtro se carga en el tanque del filtro y funciona como medio para eliminar la suciedad. El agua de la piscina, que contiene partículas de suciedad suspendidas, se bombea a través de su sistema de tuberías y es dirigida automáticamente por la válvula de control del filtro a la parte superior del tanque del filtro. A medida que el agua de la piscina se bombea a través de la arena del filtro, las partículas de suciedad quedan atrapadas en el lecho de arena y se filtran. El agua limpia de la piscina fluye desde el fondo del tanque del filtro, hacia arriba a través del tubo vertical y de regreso a la válvula en la parte superior del filtro, donde el agua limpia regresa a la piscina a través de la tubería o las mangueras.

Después de un período de tiempo, la suciedad acumulada en el filtro provoca una resistencia al flujo y el flujo disminuye. Esto significa que es hora de limpiar (lavar a contracorriente) el filtro. Con la válvula de control en la posición de retrolavado, el flujo de agua se invierte automáticamente a través del filtro para que se dirija al fondo del tanque, hacia arriba a través de la arena, limpiando la suciedad y los residuos previamente atrapados de la línea de desechos. Una vez que el filtro se lava a contracorriente (limpia) de suciedad, la válvula de control se vuelve a secuenciar manualmente para enjuagar y luego filtrar para reanudar el filtrado normal.

PRESUPUESTO

BOMBA	Modelo	HCP370-D
	Voltaje nominal y	CA 220-240 V, 50 Hz 450 W
	Soy _{pag}	2.1A
	Máxima alturad	11 millones
	Máximo floEn	13000 l/h
	Clase de protección s	IPX5
	Clase de aislamiento	F

Filtro de montaje superior	Diámetro del filtro	14"
	Área de filtración efectiva	0,099 m2
	Volumen del tanque	29L
	Tipo de medio requerido	#20 arena de sílice
	Cantidad de medio requerida	26kg
	Presión máxima de trabajo	35 psi

INSTALACIÓN DEL FILTRO

Lea y comprenda todas las instrucciones antes de intentar

instalar, operar o mantener su bomba y sistema de filtro de arena.

1. Retire con cuidado todos los componentes individuales de la caja e inspecciónelos.

por cualquier daño visible. Si la caja o las piezas están dañadas, comuníquese con el vendedor.

o empresa de transporte.

⚠ WARNING

El bloqueo de los accesorios de succión puede causar lesiones graves o fatales debido a ahogamiento. Para reducir el riesgo de lesiones, no permita que los niños utilicen

⚠ WARNING

Nunca trabaje en la bomba mientras esté funcionando o la energía esté conectada. El alto voltaje puede causar lesiones graves o fatales. Siempre se debe instalar un interruptor de falla a tierra (GFCI) adecuado en la fuente de suministro de energía de esta unidad. Asegúrese de conectar a tierra el motor antes de conectarlo a la fuente de alimentación eléctrica de CA. No conectar a tierra el motor puede causar un peligro de descarga eléctrica grave o fatal. NO

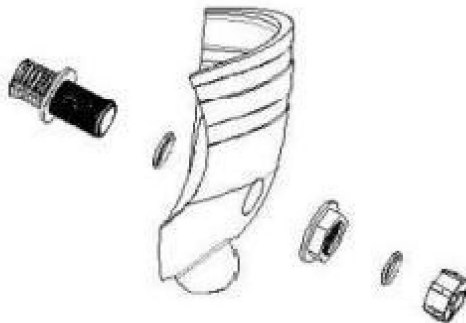
conexión a tierra de una tubería de suministro de gas.

2. El sistema de filtrado debe instalarse a no más de 50 cm por encima del nivel del agua de la piscina, sobre una losa de hormigón nivelada, un suelo muy firme o equivalente, según lo recomendado por el distribuidor de su piscina. Cuando el filtro está lleno de arena y agua, puede pesar varios cientos de libras. Coloque el filtro de modo que las conexiones de las tuberías, la válvula de control y el drenaje de invierno estén

Accesible para operación, servicio y preparación para el invierno.

3. Ensamble el drenaje en la salida inferior en la parte inferior del filtro.

Tanque. Asegúrese de que las juntas tóricas estén correctamente ensambladas para evitar fugas de agua. Vea la figura a continuación.



4. Coloque el tanque del filtro en la base del sistema y gírelo un poco en el sentido de las agujas del reloj.
bit. Coloque el tanque del filtro de modo que el drenaje de invierno esté orientado en la dirección opuesta a
La bomba.

5. Monte la bomba en la base del sistema.

6. Coloque el tubo vertical y el conjunto de drenaje inferior en el centro del
Tanque. Cubra el tubo vertical con un protector de arena para evitar que entre arena.

Llene el tanque con agua hasta la mitad aproximadamente. (Asegúrese de que la tapa de drenaje de invierno esté
firmemente en su lugar). Vierta con cuidado la cantidad y el grado correctos de filtro.

Arena (Asegúrese de que el tubo vertical permanezca centrado en la abertura).

 **IMPORTANT**

Debe utilizar únicamente arena de sílice estándar n.º 20 que tenga una uniformidad
Coeficiente de 1,75 o menos. La arena de sílice n.º 20 tiene un tamaño de partícula de 0,018 a 0,022.
pulgadas (.45 a .55 mm).

Nota: La arena no está incluida.

7. Retire el protector de arena del tubo vertical. Lave toda la arena alrededor
la abertura en la parte superior del tanque. Asegúrese de que la parte superior del filtro esté libre de cualquier
arena o escombros y la junta tórica de la válvula está en su lugar en el cuerpo de la válvula. Insertar filtro
Válvula de control en el cuello del tanque, teniendo cuidado de que el tubo vertical se deslice hacia el interior.
agujero en la parte inferior de la válvula.

8. Coloque la válvula de modo que las ubicaciones de los puertos estén en la posición final deseada.

Posición. Los puertos de las válvulas están marcados con la ubicación donde deben estar.
conectado, es decir, el puerto de la bomba debe ir a la descarga de la bomba, el puerto de desechos
debe ir a la línea de desechos y el puerto de retorno debe ir al retorno de la piscina.

9. Limpie la brida del filtro. Coloque la abrazadera de la brida alrededor del tanque y
brida de la válvula y ensamblar los tornillos y tuercas con la llave hexagonal. Apretar

Apriete los tornillos firmemente y verifique visualmente el tanque de la válvula y el conjunto de abrazadera.
para garantizar que la unión esté correctamente ensamblada.

 **WARNING**

Presión alta:

El montaje inadecuado de la válvula del tanque podría provocar que la válvula se separe y provoque lesiones graves y/o daños importantes a la propiedad.

10. Envuelva un tubo de teflón fabricado para el tubo de plástico en el extremo macho NPT de 14" del manómetro.

Enrosque con cuidado el manómetro en el orificio roscado NPT de 1/4" en el cuerpo de la válvula. No lo apriete demasiado.

11. Atornille los adaptadores de manguera en el puerto de la válvula de control marcado BOMBA y en el puerto de descarga de la bomba. Envuelva cinco vueltas de tubo de teflón en cada adaptador de manguera. Conecte los adaptadores de manguera con una manguera de 1,5" y use una abrazadera de manguera para fijarlos.

12. Realice una conexión de retorno a la tubería de la piscina a la abertura de la válvula de control marcada como RETORNO y complete otras conexiones de plomería necesarias, líneas de desechos, líneas de succión a la bomba, etc.

13. Para evitar fugas de agua, asegúrese de que la tapa de drenaje de invierno esté bien colocada y que todas las conexiones de las tuberías estén bien ajustadas.

 **CAUTION**

MANTENGA LAS ETIQUETAS DE SEGURIDAD EN BUENAS CONDICIONES Y REEMPLÁCELAS SI FALTA O DAÑADO.

FUNCIONES DE LA VÁLVULA DE CONTROL DEL FILTRO

FILTRO: Desde la bomba, a través de la válvula, hacia abajo a través del lecho de arena del filtro, hacia arriba a través del tubo central hasta el puerto de retorno de la válvula y de regreso a la piscina para la acción normal del filtro y la aspiración de la piscina a través del filtro.

RETROLAVADO: Desde la bomba, a través de la válvula, hacia abajo a través del tubo central, hacia arriba a través de la arena del filtro hasta la válvula y el puerto de desechos. Esta posición se utiliza para limpiar el filtro invirtiendo el flujo.

ENJUAGUE: Desde la bomba, a través de la válvula, hacia abajo a través del filtro de arena, hacia arriba a través del tubo central hasta la válvula y el puerto de desechos. Esta posición es

Se utiliza para la limpieza inicial y la reubicación del lecho filtrante después del retrolavado.

RESIDUOS: Desde la bomba, a través de la válvula, pasa por el filtro y va a el puerto de desechos. Esta posición es para aspirar directamente los desechos, bajando el nivel de la piscina, o

vaciando la piscina

CERRAR: NO HAY FLUJO EN ESTA POSICIÓN. NO UTILICE ESTA CONFIGURACIÓN MIENTRAS LA BOMBA ESTÁ FUNCIONANDO.

INVIERNO: Posición de la válvula para un filtro preparado para el invierno.

PUESTA EN MARCHA INICIAL

1. En una piscina nueva, limpie la piscina antes de llenarla con agua.

El exceso de suciedad y partículas grandes pueden causar daños a la bomba y filtrar.

2. Asegúrese de que todas las líneas de succión y de DESECHO de la piscina estén abiertas para que el agua fluya libremente desde la piscina hasta la línea WASTE. Ajuste la válvula de control a la posición de RETROLAVADO.

3. Compruebe que la abrazadera de la válvula esté bien apretada.

4. Verifique el recipiente del filtro de la bomba para asegurarse de que esté lleno de agua (asegúrese de que la manguera está lleno de agua si no hay un colador). Apriete la tapa de la bomba.

Bebe y ponga en marcha la bomba, permitiendo que el tanque del filtro se llene de agua.



NO HAGA FUNCIONAR EN SECO EL FILTRO DE ARENA.

5. Una vez que el flujo de agua sea constante en la línea de DESECHOS, haga funcionar la bomba durante al menos a menos 2 minutos o hasta que el agua de retrolavado esté limpia. Este inicial

Se recomienda lavar a contracorriente el filtro para eliminar cualquier impureza fina.

Partículas de arena en el medio de arena de sílice.

6. Apague la bomba y coloque la válvula en la posición "ENJUAGUE". Asegúrese de que todos

Las líneas de succión y de DESECHO de la piscina están abiertas para que el agua pueda fluir libremente.

desde la piscina hasta la línea de DESECHOS. MANTÉNGASE ALEJADO DEL FILTRO y encienda el bomba.

7. Haga funcionar la bomba durante al menos dos minutos.

8. Apague la bomba y coloque la válvula en la posición "FILTRO". Asegúrese de que

Todas las líneas de succión y RETORNO de la piscina están abiertas para que el agua pueda fluir libremente. desde y hacia la piscina. MANTÉNGASE ALEJADO DEL FILTRO y comience el bomba.

9. El filtro ha comenzado ahora su ciclo de filtrado. Debe asegurarse de que

El agua está regresando a la piscina y tome nota de la presión de funcionamiento cuando El filtro está limpio.

10. Verifique que el sistema no tenga fugas de agua. Si encuentra una fuga, apague la bomba. antes de corregir la fuga.

11. A medida que el filtro elimina la suciedad y las impurezas del agua de la piscina,

La acumulación hará que la presión del filtro aumente y fluya hacia

disminuir. Cuando la lectura del manómetro es 5-10 psi más alta que la

Limpie el filtro leyendo lo indicado anteriormente, es hora de lavarlo a contracorriente.

LIMPIEZA

1. El filtro de una piscina nueva debe lavarse a contracorriente y limpiarse después aproximadamente 48 horas de funcionamiento para limpiar el polvo de yeso y/o escombros de construcción.

2. Hay tres formas diferentes de identificar cuándo es necesario el filtro. retrolavado.

·El indicador más preciso en los sistemas de piscina con medidor de caudal es retrolavado cuando el flujo disminuye un 30% del original (limpio) filtro)flujo. Por ejemplo, si el flujo original era 10000L/H, El filtro debería estar de vuelta

Se lava cuando el caudal se reduce en aproximadamente 3000 L/h (o 30 %)

·Un indicador más subjetivo y menos preciso es observar la cantidad

de agua que fluye desde los direccionales de flujo ubicados en la pared de la piscina. Se debe realizar un retrolavado del filtro una vez que se detecte que el flujo se ha reducido.

·El indicador más comúnmente utilizado pero menos preciso es el retrolavado.

cuando la lectura del manómetro del filtro aumenta en 10 PSI con respecto al valor inicial (limpio) filtro)lectura.

3. Es importante no lavar a contracorriente el filtro únicamente de forma cronometrada, como cada tres días. También es importante tener en cuenta que el retrolavado también con frecuencia, en realidad, provoca una filtración deficiente. Factores como las condiciones climáticas, las fuertes lluvias, el polvo o el polen y las temperaturas del agua afectan la frecuencia de retrolavado. A medida que use su piscina, se dará cuenta de estas influencias.

4. Para evitar daños a la bomba y al filtro y para el correcto funcionamiento del sistema, limpie periódicamente el filtro de la bomba y las cestas del skimmer.

5. Si, en cualquier momento, la presión inicial después del retrolavado del filtro indica 4 a 6 PSI más alta que la presión de inicio normal, es hora de realizar una Procedimiento de limpieza química.

PROCEDIMIENTO DE RETROLAVADO DEL FILTRO

1. Detenga la bomba.

WARNING

Siempre apague la bomba antes de cambiar la posición de la válvula.

Cambiar la posición de la válvula mientras la bomba está funcionando puede dañarla. válvula de control, lo que podría provocar lesiones graves o daños a la propiedad.

2. Asegúrese de que las líneas de succión y de DESECHO estén abiertas para que el agua esté libre para salir de la piscina y fluir por la línea de DESECHOS. Ajuste la válvula de control a

la posición "RETROLAVADO".

3. ALEJATE DEL FILTRO y enciende la bomba.

4. Lave el filtro a contracorriente durante aproximadamente 3 a 5 minutos o hasta que salga agua del contracorriente. esta limpio

5. Detenga la bomba y coloque la válvula en la posición "ENJUAGUE".

6. ALEJATE DEL FILTRO y enciende la bomba.

7. Enjuague el filtro durante aproximadamente 30 segundos.

8. Detenga la bomba y coloque la válvula en la posición "FILTRO".

9. Asegúrese de que la línea de RETORNO de la piscina esté abierta para que el agua pueda fluir libremente desde el filtro vuelve a la piscina.

10. ALEJATE DEL FILTRO y enciende la bomba.

11. El filtro ha comenzado ahora su ciclo de filtrado. Verifique que el agua esté regresando. a la piscina y tome nota de la presión del filtro cuando el filtro esté limpio.

12. La presión del filtro en el paso 11 anterior no debe exceder la presión observado originalmente en el filtro cuando se puso en marcha por primera vez. Si, después retrolavado, la presión es de 4 a 6 psi por encima de la condición de inicio, será Es necesario limpiar químicamente el lecho de arena.

PREPARACIÓN DEL FILTRO PARA EL INVIERNO



Permitir que el agua se congele en el sistema dañará el sistema y
Provocar posibles daños por agua/inundaciones y posibles daños a la propiedad.

En áreas donde las temperaturas invernales son gélidas, el equipo de la piscina debe estar invernado para protegerlo contra daños.

1. Retrolave el filtro de arena.

2. Después del lavado a contracorriente, apague la bomba y mueva la manija de la válvula. a la posición INVIERNO.



La válvula multipuerto debe dejarse en la posición "INVIERNO" durante el temporada de apagado. No hacerlo puede dañar el sistema, lo que puede causar daños a la propiedad debido a fugas de agua.

3. Retire la tapa de drenaje en la parte inferior del tanque del filtro y deje la tapa Apagado durante el invierno. Drene completamente el tanque del filtro.
4. Drene y prepare la bomba para el invierno.
5. Drene todas las tuberías correspondientes del sistema.

PREPARACIÓN DEL FILTRO PARA EL INVIERNO SOLUCIÓN DE PROBLEMAS

El agua de la piscina no es suficientemente limpio.	<ol style="list-style-type: none"> 1. La química de la piscina no es Adecuado para inhibir las algas crecimiento. 2. Cantidad inadecuada o Tamaño de arena incorrecto. 3. Tasa de rotación inadecuada. 	<ol style="list-style-type: none"> 1. Mantenga la química de la piscina o consultar un servicio técnico. 2. Verifique la profundidad del lecho de arena y tamaño de arena o consultar un técnico de servicio de piscinas. 3. Ejecute el sistema durante un más tiempo o consultar a un concesionario o servicio de pool técnico.
Fuga de la válvula de control	<ol style="list-style-type: none"> 1. La válvula de control está configurada entre dos funciones. 2. La junta está rota. 	<ol style="list-style-type: none"> 1. Coloque la válvula en la Función correcta. 2. Reemplace la junta.
El motor es Corriendo, pero sin agua fluye a través de la bomba.	<ol style="list-style-type: none"> 1. Está entrando aire al sistema. 2. Altura de succión también Alto, posición incorrecta. 	<ol style="list-style-type: none"> 1. Verifique todas las mangueras/tuberías conexiones y asegurar La tapa del colador es apretado. 2. Coloque el sistema/bomba a un nivel inferior lugar.

<p>La arena está fluyendo hacia el piscina.</p>	<p>1.La arena es demasiado pequeña. 2.El nivel de la arena es demasiado alto 3. Desagüe subterráneo roto asamblea.</p>	<p>1. Utilice arena de sílice n.º 20 2. Bajar el nivel de arena a 2/3 del filtro 3. Reemplace los rotos o conjunto dañado</p>
<p>Mayor presión de filtrado.</p>	<p>1. Retrolavado insuficiente. 2. Válvula parcialmente cerrada o restricción.</p>	<p>1. Retrolavado hasta efluente corre claro 2.Abra la válvula o eliminar La obstrucción en el línea de retorno.</p>
<p>Flujo de retorno a la piscina filtro disminuido y bajo presión,</p>	<p>1.Obstrucción en la bomba. 2. Obstrucción en la succión. línea a la bomba.</p>	<p>1. Desmontar y limpiar La bomba. Limpiar el colador/espumadera cesta. 2.Elimine la obstrucción en pauta .</p>

Eliminación correcta

Este producto está sujeto a las disposiciones de la Directiva europea 2012/19/UE.

El símbolo que muestra un contenedor de basura tachado indica que el producto exige la recogida selectiva de residuos en la Unión Europea. Esto se aplica a los producto y todos los accesorios marcados con este símbolo. Los productos marcados como tales

No se pueden desechar con la basura doméstica normal, sino que deben llevarse a Punto de recogida para el reciclaje de aparatos eléctricos y electrónicos.



VEVOR[®]

TOUGH TOOLS, HALF PRICE

Soporte técnico y certificado de garantía
electrónica www.vevor.com/support

VEVOR®

TOUGH TOOLS, HALF PRICE

Wsparcie techniczne i certyfikat gwarancji
elektronicznej www.vevor.com/support

POMPA BASENOWA

ZWYCIĘSTWO USRŁ

MODEL:HCP370-D

Nadal staramy się oferować Państwu narzędzia w konkurencyjnych cenach.

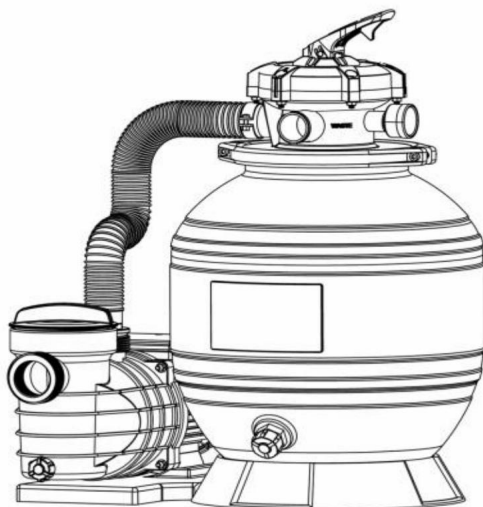
„Oszczędź do połowy”, „Połowa ceny” lub inne podobne wyrażenia używane przez nas stanowią jedynie szacunkowe oszczędności, jakie możesz uzyskać, kupując u nas określone narzędzia w porównaniu z głównymi markami i niekoniecznie oznaczają one objęcie wszystkich kategorii oferowanych przez nas narzędzi. Uprzejmie przypominamy, aby przy składaniu zamówienia dokładnie sprawdzić, czy faktycznie oszczędzasz połowę w porównaniu z głównymi markami.

VEVOR®

TOUGH TOOLS, HALF PRICE

POMPA BASENOWA

MODEL:HCP370-D



POTRZEBUJESZ POMOCY? SKONTAKTUJ SIĘ Z NAMI!

Masz pytania dotyczące produktu? Potrzebujesz wsparcia technicznego? Skontaktuj się z nami:

Wsparcie techniczne i certyfikat gwarancji elektronicznej

www.vevor.com/support

To jest oryginalna instrukcja, przed użyciem należy uważnie przeczytać wszystkie instrukcje. VEVOR zastrzega sobie jasną interpretację naszej instrukcji obsługi. Wygląd produktu będzie zależał od produktu, który otrzymałeś. Prosimy o wybaczenie, że nie poinformujemy Cię ponownie, jeśli w naszym produkcie pojawią się jakiegokolwiek aktualizacje technologiczne lub oprogramowania.

WAŻNE OSTRZEŻENIE I BEZPIECZEŃSTWO

DANGER

JĘŚLI TEN PIASEK MOŻE SPOWODOWAĆ POWAŻNE OBRAŻENIA CIAŁA LUB ŚMIERĆ
FILTR NIE ZOSTAŁ ZAINSTALOWANY I NIE UŻYWANY PRAWIDŁOWO.

DANGER

INSTALATORZY, OPERATORZY BASENÓW I WŁAŚCICIELE BASENÓW MUSZĄ PRZECZYTAĆ
OSTRZEŻENIA I WSZYSTKIE INSTRUKCJE PRZED UŻYCIEM TEGO PRODUKTU
FILTR PIASKOWY.

WARNING

Ten filtr piaskowy przeznaczony jest do stosowania w basenach.

WARNING

Więć kszość stanów i lokalnych przepisów reguluje kwestie budowy, instalacji i
eksploatacja basenów publicznych i SPA oraz budowa basenów przydomowych
i uzdrowisk. Ważne jest przestrzeganie tych kodeksów, z których wiele bezpośrednio
regulują instalację i użytkowanie tego produktu. Skonsultuj się z lokalnym doradcą budowlanym
i kodów zdrowia, aby uzyskać więć informacji.

WARNING

Nie zezwalaj dzieciom na używanie i obsługę tego filtra piaskowego.
Przed zainstalowaniem tego produktu należy przeczytać i zastosować się do wszystkich ostrzeżeń i
instrukcji zawartych w tym przewodniku. Nieprzestrzeganie ostrzeżeń i instrukcji może
spowodować poważne obrażenia, śmierć lub uszkodzenie mienia.

WARNING

PRZED PRZYSTĄPIENIEM DO PRACY PRZY FILTRIE!

Wypuszczanie powietrza:

Naciśnij uchwyt zaworu sterującego, aby wypuścić powietrze.

UWAGA: Ważne jest, aby powtarzać tę operację za każdym razem,
uruchom pompę po przygotowaniu jej do zimy, konserwacji i płukaniu wstecznym.

⚠ CAUTION

Elementy takie jak system filtracji, pompy i grzałka muszą być umieszczone w sposób uniemożliwiający dostęp p do basenu małym dzieciom.

⚠ WARNING

Przed podłączeniem sprzę tu elektrycznego do źródła zasilania należy go uziemić. Brak uziemienia sprzę tu elektrycznego może spowodować poważne lub śmiertelne porażenie prądem.

⚠ WARNING

Aby uniknąć niebezpiecznego lub śmiertelnego porażenia prądem, wyłącz zasilanie wszystkich urządzeń elektrycznych przed rozpoczęciem pracy na połączeniach elektrycznych.

⚠ CAUTION

Ten filtr piaskowy przeznaczony jest wyłącznie do basenów składanych. Nie należy go używać z basenami zamontowanymi na stałe. Basen składany jest tak skonstruowany, że można go łatwo rozmontować w celu przechowywania i ponownie zmontować w pierwotnej formie. Basen zamontowany na stałe jest zbudowany na ziemi lub w budynku w taki sposób, że nie można go łatwo rozmontować w celu przechowywania.



Wysokie ciśnienie wytwarzane przez filtr piaskowy może spowodować poważne obrażenia ciała lub znaczne szkody materialne na skutek oderwania się zbiornika.

Przed rozpoczęciem pracy przy filtrze piaskowym należy zredukować ciśnienie i przeczytać instrukcję .

Jeżeli zacisk filtra zostanie wyregulowany pod ciśnieniem, zbiornik może

oddzielić, powodując poważne obrażenia ciała lub duże szkody materialne.



RYZYKO PORAŻENIA PRĄDEM ELEKTRYCZNYM LUB PORAŻENIA PRĄDEM: POMPY

WYMAGAJĄ WYSOKICH NAPIĘĆ, KTÓRE MOŻE SPOWODOWAĆ PORAŻENIE, POPARZENIA LUB ŚMIERĆ

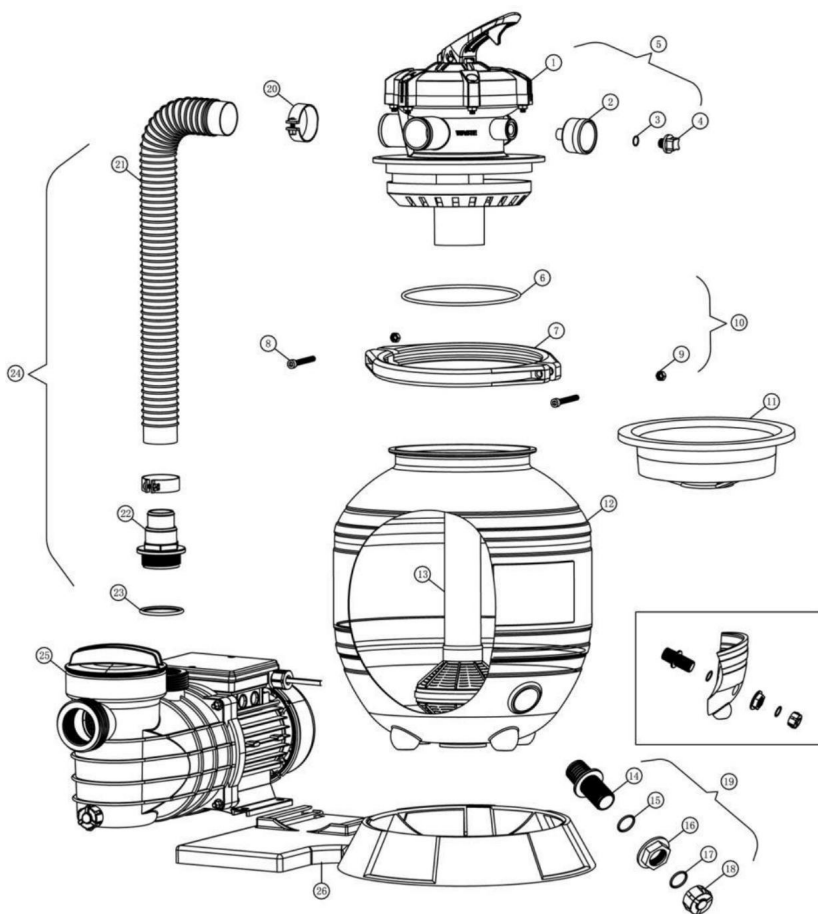
PRZED PRYZYSTĄPIENIEM DO PRACY PRZY POMPIE!

Zawsze odłączaj zasilanie pompy basenowej za pomocą wyłącznika obwodu przed przystąpieniem do serwisowania pompy. Niedopełnienie tego obowiązku może spowodować śmierć lub poważne obrażenia osoby serwisującej, użytkowników basenu lub innych osób na skutek porażenia prądem.



Pompa basenowa lub spa musi zostać zainstalowana przez wykwalifikowanego specjalistę zajmującego się serwisem basenów i spa zgodnie z Krajowym Kodeksem Elektrycznym oraz wszystkimi obowiązującymi lokalnymi kodeksami i rozporządzeniami. Nieprawidłowa instalacja może stworzyć zagrożenie elektryczne, które może skutkować śmiercią lub poważnymi obrażeniami użytkowników basenu, instalatorów lub innych osób na skutek porażenia prądem, a także może spowodować uszkodzenie mienia.

SCHEMAT MONTAŻU



Numer	Opis Zawór	Ilość
1	1-1/2in.5-drożny zacisk Manometr	1
2	O-ring, korek	1
3	Wtyczka,	1
4	Manometr Zespół	1
5	zaworu O-ring,	1
6	zawór	1

7	Zacisk kołnierzowy	2
8	Śruba	2
9	Nakrętki	2
10	Zespół zacisku	1
11	Tarcza piaskowa	1
12	Zbiornik filtra	1
13	Montaż rur pionowych i drenażu podziemnego	1
14	Zawór spustowy	1
15	Pierścień uszczelniający, korek	1
16	Nakrętki spustowa	1
17	Pierścień uszczelniający, korek	1
18	Korek spustowy	1
19	Zestaw odpływowy	1
20	Zacisk węży	5
21	Pompa do filtra Wąż	1
22	Adapter węży	2
23	Pierścień uszczelniający.	1
24	Adapter węży Pompa do	1
25	zespołu	1
26	filtra Pompa Podstawa pompy	1

PRZEGLĄD FILTRA

Twój filtr piaskowy o dużej wydajności jest przeznaczony do produkcji czystej, gazowanej wody i działa przez wiele lat, wymagając minimalnej konserwacji po zainstalowaniu i uruchomieniu. i konserwowane zgodnie z niniejszą instrukcją.

W filtrze zastosowano specjalny piasek filtracyjny, który usuwa cząsteczki brudu z wody w basenie. Piasek filtracyjny ładowany jest do zbiornika filtra i pełni funkcję środka usuwającego zanieczyszczenia. Woda w basenie zawierająca zawieszone cząsteczki zanieczyszczeń jest pompowana przez system rur i jest automatycznie kierowana przez zawór sterujący filtrem do górnej części zbiornika filtra. Kiedy woda w basenie jest pompowana przez piasek filtracyjny, cząsteczki zanieczyszczeń są wychwytywane przez warstwę piasku i filtrowane. Oczyszczona woda w basenie przepływa od dołu zbiornika filtra w górę przez rurę pionową i z powrotem do zaworu na górze filtra, skąd czysta woda jest zwracana do basenu przez rury lub węże.

Po pewnym czasie nagromadzony w filtrze brud powoduje opór przepływu, a przepływ maleje. Oznacza to, że nadszedł czas na wyczyszczenie (płukanie wsteczne) filtra. Gdy zawór sterujący jest w pozycji płukania wstecznego, przepływ wody przez filtr zostaje automatycznie odwrócony, tak aby był skierowany na dno zbiornika, w górę przez piasek, wypłukując wcześniej zatrzymany brud i zanieczyszczenia z przewodu ściekowego. Gdy filtr zostanie ponownie umyty (oczyszczony) z brudu, zawór sterujący zostaje ręcznie ponownie ustawiony na płukanie, a następnie filtrowanie, aby wznowić normalne filtrowanie.

SPECYFIKACJE

POMPA	Model	HCP370-D
	Napię cie znamionowe ^I	Prąd zmienny 220-240 V, 50 Hz 450 W
	Jestem p	2.1A
	Maks.wysokośćD	11 minut
	Maksymalny poziomW	13000l/godz.
	Klasa ochrony S	IPX5
	Klasa izolacji	F

Filtr montowany od góry	Średnica filtra	14"
	Efektywna powierzchnia filtracji	0,099 dolara
	Obję tość zbiornika	29L
	Wymagany typ medium	#20 piasek kwarcowy
	Wymagana ilość medium	26 kg
	Maksymalne ciśnienie robocze	35 psi

INSTALOWANIE FILTRA

Przed przystąpieniem do pracy należy przeczytać i zrozumieć wszystkie instrukcje.

Zainstaluj, obsługuj i konserwuj swój system pomp i filtrów piaskowych.

1. Ostrożnie wyjmij wszystkie pojedyncze elementy z kartonu i sprawdź

pod kątem widocznych uszkodzeń. Jeśli karton lub część są uszkodzone, skontaktuj się ze sprzedawcą lub firmy przewozowej.

⚠ WARNING

Zablokowanie przylączy ssących może spowodować poważne lub śmiertelne obrażenia w wyniku utonię cia. Aby zmniejszyć ryzyko obrażeń, nie należy pozwalać dzieciom na korzystanie z urządzenia.

⚠ WARNING

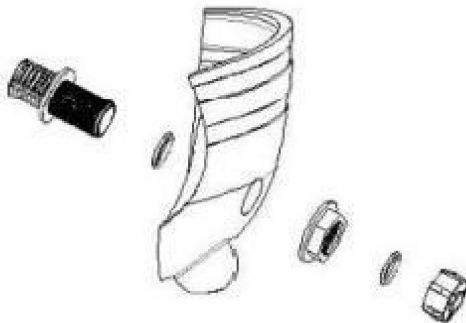
Nigdy nie pracuj przy pompie, gdy jest uruchomiona lub zasilanie jest podłączone. Wysokie napię cie może spowodować poważne lub śmiertelne obrażenia. Odpowiedni wyłącznik różnicowoprądowy (GFCI) powinien być zawsze zainstalowany w źródle zasilania tego urządzenia. Przed podłączeniem silnika do zasilania prądem przemiennym należy upewnić się , że jest on uziemiony. Brak uziemienia silnika może spowodować poważne lub śmiertelne zagrożenie porażeniem prądem. **NIE** uziemienia do gazociągu.

2. System filtracyjny należy zainstalować nie wyżej niż 50 cm nad poziomem wody w basenie, na równej betonowej płycie, bardzo twardym podłożu lub podobnym podłożu, zgodnie z zaleceniami sprzedawcy basenu. Po napełnieniu filtra piaskiem i wodą może on ważyć kilkaset funtów. Umieść filtr tak, aby przylącza rurowe, zawór sterujący i odpływ zimowy były

dość pny w celu obsługi, serwisowania i przygotowania do zimy.

3. Zamontuj odpływ do dolnego wylotu na dole filtra

zbiornika. Upewnij się , że pierścienie uszczelniające są prawidłowo zamontowane, aby zapobiec wyciekaniu wody. Zobacz poniższy rysunek.



4. Umieść zbiornik filtra na podstawie systemu i lekko obróć go zgodnie z ruchem wskazówek zegara. Umieść zbiornik filtra tak, aby odpływ zimowy był skierowany w przeciwnym kierunku pompy.
5. Zamontuj pompę do podstawy systemu.
6. Umieść rurę pionową i zespół odwodnienia pod spodem w środku zbiornika. Zakryj rurę pionową osłoną przeciwpiaaskową, aby zapobiec przedostawaniu się piasku. Napełnij zbiornik wodą do około połowy. (Upewnij się, że korek spustowy na zimę jest zakręcony) (bezpiecznie na miejscu). Ostrożnie wlej odpowiednią ilość i stopień filtra piasek (Upewnij się, że rura pionowa pozostaje wyśrodkowana w otworze).

 **IMPORTANT**

Należy używać wyłącznie standardowego piasku kwarcowego nr 20 o jednorodnej konsystencji. współczynnik 1,75 lub mniejszy. Piasek kwarcowy nr 20 ma wielkość cząstek 0,018-0,022 cale (0,45 do 0,55 mm).

Uwaga: piasek nie jest dołączony.

7. Zdejmij osłonę piaskową z rury ssącej. Zmyj cały piasek wokół otwór w górnej części zbiornika. Upewnij się, że górna część filtra jest wolna od zanieczyszczeń. piasek lub zanieczyszczenia, a pierścień uszczelniający zaworu znajduje się na swoim miejscu na korpusie zaworu. Włóż filtr Zawór sterujący należy umieścić w szyjce zbiornika, zwracając uwagę na to, aby rura pionowa wsunęła się do otwór w dolnej części zaworu.
8. Umieść zawór tak, aby położenia portów znajdowały się w pożądanym położeniu końcowym. pozycja. Otwory zaworów są oznaczone lokalizacją, w której powinny się znajdować podłączony, tzn. port pompy musi iść do wylotu pompy, portu odpadowego musi zostać podłączony do linii ściekowej, a port powrotny musi zostać podłączony do powrotu basenu.
9. Wyczyść kołnierz filtra. Umieść zacisk kołnierza wokół zbiornika i kołnierz zaworu i zamontuj śruby i nakrętki za pomocą klucza imbusowego. Dokręć mocno dokręć śruby zaciskowe i wizualnie sprawdź zbiornik zaworu i zespół zacisku aby mieć pewność, że połączenie zostanie prawidłowo zmontowane.

 **WARNING**

Wysokie ciśnienie:

Nieprawidłowy montaż zaworu zbiornika może spowodować jego oddzielenie, co może skutkować poważnymi obrażeniami ciała i/lub znacznym uszkodzeniem mienia.

10. Owiń końcówkę manometru z gwintem męskim NPT o średnicy 14" rurką teflonową przeznaczoną do rur plastikowych. Ostrożnie wkręć manometr do otworu gwintowanego NPT o średnicy 1/4" w korpusie zaworu. Nie dokręcaj zbyt mocno.

11. Wkręć adaptery węży do portu zaworu sterującego oznaczonego jako PUMP oraz do portu wylotowego pompy. Owiń każdy adapter węży pięcioma zwojami rurki teflonowej. Podłącz adaptery węży do węży 1,5" i zamocuj je za pomocą opaski zaciskowej.

12. Podłącz rurę basenową do otworu zaworu sterującego oznaczonego RETURN (powrót) i wykonaj inne niezbędne połączenia hydrauliczne, przewody odpływowe, przewody ssące do pompy itp.

13. Aby zapobiec wyciekaniu wody, upewnij się, że korek spustowy na zimę jest dobrze założony i wszystkie połączenia rur są szczelne.

 **CAUTION**

UTRZYMUJ ETYKIETY BEZPIECZEŃSTWA W DOBRYM STANIE I WYMIENIAJ JEŚLI BRAKUJE LUB JEST USZKODZONY.

FUNKCJE ZAWORU STERUJĄCEGO FILTREM

FILTR: Od pompy, przez zawór, w dół przez złożę piasku filtracyjnego, w górę przez rurę centralną do portu powrotnego zaworu i z powrotem do basenu w celu normalnego działania filtra i odkurzania basenu przez filtr.

PŁUKANIE WSTECZNE: Od pompy, przez zawór, w dół przez rurę centralną, w górę przez piasek filtracyjny do zaworu i wylotowego portu odpadowego. Pozycja ta jest wykorzystywana do czyszczenia filtra poprzez odwrócenie przepływu.

PŁUKANIE: Od pompy, przez zawór, w dół, przez piasek filtracyjny, w górę przez rurę środkową do zaworu i wylotu portu odpływowego. Ta pozycja jest

stosowany do czyszczenia wstępnego i ponownego ułożenia złoża filtracyjnego po płukaniu wstecznym.

ODPADY: Z pompy przez zawór omijają filtr i trafiają do port odpadowy. Pozycja ta służy do odkurzania bezpośrednio do odpadów, obniżając poziom basenu lub opróżnianie basenu.

ZAMKNIJ: BRAK PRZEPŁYWU W TEJ POZYCJI – NIE UŻYWAJ TEGO USTAWIENIA GDY POMPA PRACUJE.

ZIMA: Pozycja zaworu dla filtra przygotowanego na zimę .

PIERWSZE URUCHOMIENIE

1. W przypadku nowego basenu, przed napełnieniem go wodą należy go wyczyścić.

Nadmierna ilość brudu i dużych cząstek może spowodować uszkodzenie pompy i filtr.

2. Upewnij się , że wszystkie linie ssące i odpływowe basenu są otwarte, aby woda mogła swobodnie spływać. swobodnie przepływać z basenu do linii ODPADY. Ustaw zawór sterujący na Pozycja BACKWASH.

3. Sprawdź szczelność zacisku zaworu.

4. Sprawdź, czy w pojemniku filtra pompy znajduje się woda (sprawdź, czy wąż jest pełny). jest pełna wody, jeśli nie ma koszyeczka filtrującego).Dokręć pokrywę pompy.

Zalej wodą i uruchom pompę , pozwalając zbiornikowi filtra napełnić się wodą.



NIE URUCHOMIAJ FILTRA PIASKOWEGO NA SUCHO.

5. Gdy przepływ wody z przewodu ŚCIEKOWEGO bę dzie stały, uruchom pompę na co najmniej co najmniej 2 minuty lub do momentu, aż woda z płukania wstecznego bę dzie czysta.To początkowe

zaleca się płukanie wsteczne filtra w celu usunię cia wszelkich zanieczyszczeń drobnych Cząstki piasku w piasku kwarcowym.

6. Wyłącz pompę i ustaw zawór w pozycji „PŁUKANIE”. Upewnij się , że wszystkie przewody ssące i odpływowe basenu są otwarte, aby woda mogła swobodnie przepływać

od basenu do linii ODPADÓW. ODDAĆ OD FILTRA i uruchom
pompa.

7. Uruchom pompę na co najmniej dwie minuty.

8. Wyłącz pompę i ustaw zawór w pozycji „FILTR”. Upewnij się, że
wszystkie linie ssące i POWROTNE basenu są otwarte, aby woda mogła swobodnie przepływać
z basenu i z powrotem. ODDAĆ OD FILTRA i rozpocznij
pompa.

9. Filtr rozpoczął teraz cykl filtrowania. Należy upewnić się, że
woda powraca do basenu i zwróć uwagę na ciśnienie robocze, gdy
filtr jest czysty.

10. Sprawdź, czy w systemie nie ma wycieków wody. W przypadku wykrycia wycieku wyłącz pompę .
przed naprawą przecieku.

11. Ponieważ filtr usuwa brud i zanieczyszczenia z wody w basenie,

nagromadzenie spowoduje wzrost ciśnienia filtra i przepływ do
zmniejszać. Gdy odczyt manometru jest o 5-10 psi wyższy niż

Jeśli odczyt filtra jest zgodny z powyższymi zaleceniami, nadszedł czas na płukanie wsteczne filtra.

CZYSZCZENIE

1. Filtr w nowym basenie należy przepłukać i wyczyścić po
około 48 godzin pracy w celu oczyszczenia pyłu gipsowego i/lub
gruz budowlany.

2. Istnieją trzy różne sposoby, aby określić, kiedy filtr jest potrzebny
płukanie wsteczne.

·Najdokładniejszym wskaźnikiem w systemach basenowych z przepływomierzem jest

płukanie wsteczne, gdy przepływ zmniejszy się o 30% od pierwotnego (czyszczenie)

(filtr)przepływ. Na przykład, jeśli oryginalny przepływ wynosił 10000 l/h,

the filters should be back- ...

myte, gdy przepływ zmniejszy się o około 3000 l/h (lub 30%)

- Bardziej subiektywnym i mniej dokładnym wskaźnikiem jest obserwacja ilości wody płynącej z kanałów przepływu znajdujących się w ścianie basen. Filtr należy przepłukać wstecznie po wykryciu przepływu została zmniejszona.
 - Najczęściej stosowanym, ale najmniej dokładnym wskaźnikiem jest płukanie wsteczne gdy odczyt wskaźnika filtra wzrośnie o 10 PSI w stosunku do wartości początkowej (czystej) (filtr) odczyt.
3. Ważne jest, aby nie wykonywać płukania wstecznego filtra wyłącznie w określonym czasie, np. co trzy dni. Ważne jest również, aby pamiętać, że płukanie wsteczne również może spowodować słabą filtrację. Czynniki takie jak warunki pogodowe, na które szczególnie wpływają ulewne deszcze, kurz lub pyłki oraz temperatura wody płukania wstecznego. W miarę korzystania z basenu będziesz świadomy tych wpływy.
4. Aby zapobiec uszkodzeniu pompy i filtra oraz zapewnić prawidłową pracę urządzenia, systemu, regularnie czyść filtr pompy i koszyki skimmera.
5. Jeżeli w dowolnym momencie ciśnienie początkowe po płukaniu wstecznym filtra wskazuje 4 do 6 PSI wyższego niż normalne ciśnienie początkowe, należy wykonać procedurę czyszczenia chemicznego.

PROCEDURA PŁUKANIA WSTECZNEGO FILTRA

1. Zatrzymaj pompę .



WARNING

Zawsze wyłączaj pompę przed zmianą położenia zaworu.

Zmiana położenia zaworu podczas pracy pompy może spowodować jej uszkodzenie.

zawór sterujący, co może spowodować poważne obrażenia ciała lub uszkodzenie mienia.

2. Upewnij się, że przewody ssące i ODPADOWE są otwarte, aby woda mogła swobodnie przepływać pochodzący z basenu i wypływać z linii ŚCIEKOWEJ. Ustaw zawór sterujący na

pozycja „BACKWASH”.

3. ODSZTAĆ OD FILTRA i uruchom pompę .

4. Przepłucz filtr przez około 3 do 5 minut lub do momentu wypłukania wody.
jest czysty

5. Zatrzymaj pompę i ustaw zawór w pozycji „PŁUKANIE”.

6. ODSZTAĆ OD FILTRA i uruchom pompę .

7. Płucz filtr przez około 30 sekund.

8. Zatrzymaj pompę i ustaw zawór w pozycji „FILTR”.

9. Upewnij się , że linia POWROTNA basenu jest otwarta, aby woda mogła swobodnie wypływać z basenu.
filtr z powrotem do basenu.

10. ODSZTAĆ OD FILTRA i uruchom pompę .

11. Filtr rozpoczął cykl filtrowania. Sprawdź, czy woda powraca
do basenu i zwróć uwagę na ciśnienie filtra, gdy filtr jest czysty.

12. Ciśnienie filtra podane w kroku 11 powyżej nie powinno przekraczać ciśnienia
pierwotnie zaobserwowane na filtrze, gdy został on uruchomiony. Jeśli po
płukanie wsteczne, ciśnienie jest o 4 do 6 psi wyższe od stanu początkowego, bę dzie
konieczne jest chemiczne oczyszczenie złoża piasku.

PRZYGOTOWANIE FILTRA NA ZIMĘ



Dopuszczenie do zamarznię cia wody w układzie spowoduje uszkodzenie układu i
spowodować potencjalne szkody wodne/powodzie i potencjalne szkody materialne

W rejonach, w których zimą panują temperatury poniżej zera, sprzę t basenowy musi być
zabezpieczone przed uszkodzeniami na zimę .

1. Przepłucz filtr piaskowy.

2. Po płukaniu wstecznym wyłącz pompę i przesun uchwyt zaworu
do pozycji ZIMA.


CAUTION

Podczas pracy zawór wieloportowy powinien być pozostawiony w pozycji „ZIMA”.
sezon przestoju. Niedopełnienie tego obowiązku może spowodować uszkodzenie systemu, co może spowodować szkody materialne na skutek wycieku wody.

3. Zdejmij korek spustowy znajdujący się na dnie zbiornika filtra i pozostaw korek wyłączony w okresie zimowym. Całkowicie opróżnij zbiornik filtra.
4. Opróżnij pompę i zabezpiecz ją na zimę .
5. Opróżnij wszystkie odpowiednie rurociągi systemu.

PRZYGOTOWANIE FILTRA NA ZIMĘ ROZWIĄZYWANIE PROBLEMÓW

<p>Woda w basenie nie jest wystarczająco czysty.</p>	<ol style="list-style-type: none"> 1. Chemia basenowa nie jest odpowiedni do hamowania wzrostu glonów wzrost. 2. Niewłaściwa ilość lub zły rozmiar piasku. 3. Niewystarczająca rotacja kadr. 	<ol style="list-style-type: none"> 1. Utrzymuj odpowiednią chemię basenu lub skonsultuj się z serwisem technik. 2. Sprawdź głębokość podsypki piaskowej i rozmiar piasku lub skonsultuj technik serwisu basenów. 3. Uruchom system na dłuższy czas lub skonsultuj się z dealer lub serwis basenowy technik.
<p>Wyciek zaworu sterującego</p>	<ol style="list-style-type: none"> 1. Zawór sterujący jest ustawiony mię dzy dwiema funkcjami. 2.Uszczelka jest uszkodzona. 	<ol style="list-style-type: none"> 1. Ustaw zawór na prawidłowa funkcja. 2. Wymień uszczelkę .
<p>Silnik jest Bieganie, ale bez wody przepływa przez pompa.</p>	<ol style="list-style-type: none"> 1. Do układu dostaje się powietrze. 2. Wysokość ssania zbyt duża wysoka, nieprawidłowa pozycja. 	<ol style="list-style-type: none"> 1. Sprawdź wszystkie wę że/rury połączenia i zapewnić pokrywka sitka jest zaciśnię te. 2.Umieść układ/pompa do niższego miejsce.

Piasek wpada do basen.	<ol style="list-style-type: none"> 1. Piasek jest za drobny. 2. Poziom piasku jest za wysoko. 3. Zepsuty drenaż montaż. 	<ol style="list-style-type: none"> 1. Użyj piasku kwarcowego nr 20 2. Obniż poziom piasku do 2/3 filtra 3. Wymień uszkodzone lub uszkodzony zespół.
Wyższe ciśnienie filtra.	<ol style="list-style-type: none"> 1. Niewystarczające płukanie wsteczne. 2. Zawór czę ściowo zamknij ty lub ograniczenie. 	<ol style="list-style-type: none"> 1. Płukanie wsteczne do momentu powstania ścieków będzie czysto. 2. Otwórz zawór lub usunąć przeszkoda w linia powrotna.
Przepływ powrotny do basenu zmniejszony, niski filtr ciśnienie,	<ol style="list-style-type: none"> 1. Przeszkoda w pompie. 2. Przeszkoda w ssaniu linia do pompowania. 	<ol style="list-style-type: none"> 1. Rozebrać i wyczyścić pompa. Wyczyść sitko/skimmer koszyk. 2. Usuń przeszkodę w kwestia.

Prawidłowa utylizacja

Produkt ten podlega postanowieniom Dyrektywy Europejskiej 2012/19/UE.

Symbol przedstawiający przekreślony pojemnik na śmieci na kółkach oznacza, że produkt wymaga oddzielnego zbierania odpadów w Unii Europejskiej. Dotyczy to produkt i wszystkie akcesoria oznaczone tym symbolem. Produkty oznaczone jako takie nie wolno wyrzucać razem z normalnymi odpadami domowymi, lecz należy je oddać do punkt zbiórki sprzę tu elektrycznego i elektronicznego przeznaczonego do recyklingu.



VEVOR[®]

TOUGH TOOLS, HALF PRICE

Wsparcie techniczne i certyfikat gwarancji
elektronicznej www.vevor.com/support

VEVOR®

TOUGH TOOLS, HALF PRICE

Technische ondersteuning en e-garantiecertificaat

www.vevor.com/support

ZWEMBADPOMP

USR WIN Ik

MODEL:HCP370-D

Wij streven er voortdurend naar om u gereedschappen tegen concurrerende prijzen te leveren.

"Bespaar de helft", "halve prijs" of andere soortgelijke uitdrukkingen die wij gebruiken, geven slechts een schatting weer van de besparingen die u kunt behalen door bepaalde gereedschappen bij ons te kopen in vergelijking met de grote topmerken en betekent niet noodzakelijkerwijs dat alle categorieën gereedschappen die wij aanbieden, worden gedekt.

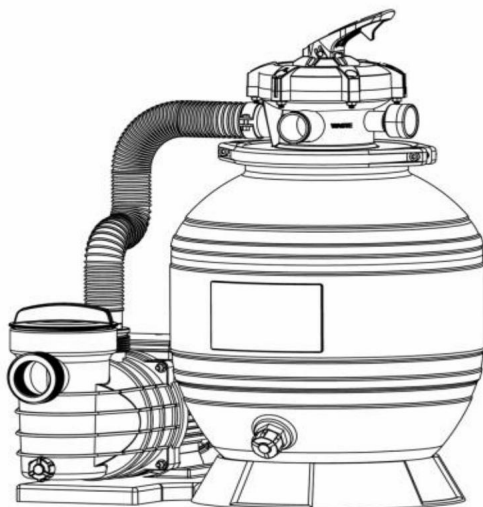
Wij herinneren u eraan om zorgvuldig te controleren of u daadwerkelijk de helft bespaart in vergelijking met de grote topmerken wanneer u een bestelling bij ons plaatst.

VEVOR[®]

TOUGH TOOLS, HALF PRICE

ZWEMBADPOMP

MODEL:HCP370-D



HULP NODIG? NEEM CONTACT MET ONS OP!

Heeft u vragen over het product? Heeft u technische ondersteuning nodig? Neem dan gerust contact met ons op:

Technische ondersteuning en e-garantiecertificaat

www.vevor.com/support

Dit is de originele instructie, lees alle handleidingen zorgvuldig door voordat u het product gebruikt. VEVOR behoudt zich een duidelijke interpretatie van onze gebruikershandleiding voor. Het uiterlijk van het product is afhankelijk van het product dat u hebt ontvangen. Vergeef ons dat we u niet opnieuw zullen informeren als er technologie- of software-updates voor ons product zijn.

BELANGRIJKE WAARSCHUWING EN VEILIGHEID

DANGER

ERNSTIG LICHAAMELIJK LETSEL OF DE DOOD KAN HET GEVOLG ZIJN ALS DIT ZAND FILTER IS NIET CORRECT GEÏNSTALLEERD EN GEBRUIKT.

DANGER

INSTALLATEURS, ZWEMBADBEDIENERS EN ZWEMBADEIGENAREN MOETEN DEZE LEZEN DEZE WAARSCHUWINGEN EN ALLE INSTRUCTIES VOORDAT U DIT GEBRUIKT ZANDFILTER.

WARNING

Dit zandfilter is bedoeld voor gebruik in zwembaden.

WARNING

De meeste staten en lokale codes reguleren de constructie, installatie en exploitatie van openbare zwembaden en spa's en de bouw van residentiële zwembaden en spa's. Het is belangrijk om je aan deze codes te houden, waarvan er veel direct regel de installatie en het gebruik van dit product. Raadpleeg uw plaatselijke bouw- en woningtoezichthouder. en gezondheidscodes voor meer informatie.

WARNING

Laat kinderen dit zandfilter niet gebruiken of bedienen.

Lees en volg alle waarschuwingen en instructies voordat u dit product installeert. instructies in deze handleiding. Het niet opvolgen van waarschuwingen en instructies kan ernstig letsel, de dood of materiële schade tot gevolg hebben.

WARNING

VOORDAT U AAN HET FILTER WERKT!

Luchtafvoer:

Druk op de hendel van de regelklep om de lucht te laten ontsnappen.

OPMERKING: Het is belangrijk om deze handeling elke keer te herhalen als u

Start de pomp na het winterklaar maken, onderhoud en terugspoelen.

⚠ CAUTION

Onderdelen zoals het filtersysteem, de pompen en de verwarming moeten zodanig worden geplaatst dat ze niet door jonge kinderen als toegangsweg tot het zwembad kunnen worden gebruikt.

⚠ WARNING

Zorg ervoor dat alle elektrische apparatuur geaard is voordat u deze aansluit op de stroomvoorziening. Als alle elektrische apparatuur niet geaard is, kan dit leiden tot een ernstig of dodelijk elektrisch schokgevaar.

⚠ WARNING

Om gevaarlijke of dodelijke elektrische schokken te voorkomen, schakelt u de stroom naar alle elektrische apparatuur UIT voordat u aan elektrische aansluitingen werkt.

⚠ CAUTION

Dit zandfilter is uitsluitend bestemd voor gebruik met opbergbare zwembaden. Gebruik het niet met permanent geïnstalleerde zwembaden. Het opbergbare zwembad is zo geconstrueerd dat het eenvoudig kan worden gedemonteerd voor opslag en opnieuw in de oorspronkelijke staat kan worden gemonteerd. Een permanent geïnstalleerd zwembad is zodanig in of op de grond of in een gebouw gebouwd dat het niet eenvoudig kan worden gedemonteerd voor opslag.



De hoge druk van het zandfilter kan ernstig letsel of grote materiële schade veroorzaken als de tank losraakt.

Laat alle druk ontsnappen en lees de instructies voordat u aan het zandfilter gaat werken.

Als de filterklem onder druk wordt afgesteld, kan de tank

losraken, wat ernstig letsel of grote materiële schade kan veroorzaken.



RISICO OP ELEKTRISCHE SCHOK OF ELEKTROCUTIE: POMPEN

VEREISEN HOGE SPANNING, DIE SCHOKKEN, BRANDWONDEN OF DE DOOD KAN VEROORZAKEN.

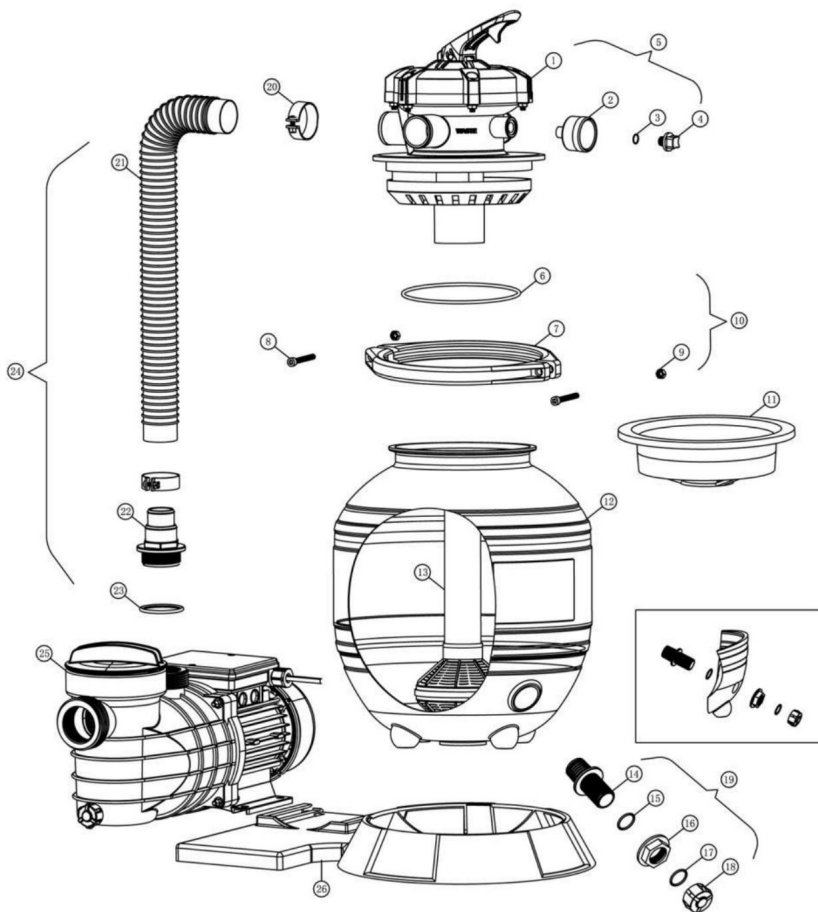
VOORDAT U AAN DE POMP WERKT!

Schakel altijd de stroom naar de zwembadpomp uit via de stroomonderbreker voordat u onderhoud aan de pomp uitvoert. Als u dit niet doet, kan dit leiden tot de dood of ernstig letsel bij de onderhoudspersoon, zwembadgebruikers of anderen vanwege een elektrische schok.



Een zwembad- of spapomp moet worden geïnstalleerd door een gekwalificeerde zwembad- en spa-onderhoudsprofessional in overeenstemming met de National Electrical Code en alle toepasselijke lokale codes en verordeningen. Onjuiste installatie kan een elektrisch gevaar opleveren dat kan leiden tot de dood of ernstig letsel bij zwembadgebruikers, installateurs of anderen vanwege elektrische schokken. Er kan ook schade aan eigendommen ontstaan.

MONTAGESCHEMA



Nummer	Omschrijving	Hoeveelheid
1	Klep 1-1/2in.5-weg Klem Stijl	1
2	Drukmeter O-	1
3	ring,plug	1
4	Plug, Drukmeter Klep	1
5	Montage O-ring,	1
6	Klep	1

7	Flensklem	2
8	Schroef	2
9	Moer	2
10	Klemmontage	1
11	Zandschild	1
12	Filtertank	1
13	Standpijp- en onderafvoerconstructie	1
14	Afvoerkraan	1
15	O-ring,plug	1
16	Afvoermoer	1
17	O-ring,plug	1
18	Afvoerdop	1
19	Afvoerset	1
20	Slangklem	5
21	Pomp naar filter	1
22	Slang	2
23	Slangadapter O-ring.	1
24	Slangadapter Pomp naar	1
25	filter	1
26	Montage Pomp Pompbasis	1

FILTER OVERZICHT

Uw hoogwaardige zandfilter is ontworpen om helder, sprankelend water te produceren en jarenlang te werken met een minimum aan onderhoud wanneer geïnstalleerd en bediend. en onderhouden worden overeenkomstig deze instructies.

Uw filter gebruikt speciaal filterzand om vuildeeltjes uit het zwembadwater te verwijderen. Filterzand wordt in de filtertank geladen en fungeert als vuilverwijderend medium. Het zwembadwater, dat zwevende vuildeeltjes bevat, wordt weggepompt door uw leidingsysteem en wordt automatisch door de filterregelklep naar de bovenkant van de filtertank geleid. Terwijl het zwembadwater door het filterzand wordt gepompt, worden vuildeeltjes door het zandbed opgevangen en eruit gefilterd. Het gereinigde zwembadwater stroomt van de bodem van de filtertank, omhoog door de standpijp en terug naar de klep bovenop het filter, waar het schone water via de leidingen of slangen terug naar het zwembad wordt geleid.

Na verloop van tijd veroorzaakt het opgehoopte vuil in het filter weerstand in de stroming en neemt de stroming af. Dit betekent dat het tijd is om uw filter te reinigen (terugspoelen). Wanneer de regelklep in de terugspoelstand staat, wordt de waterstroom door het filter automatisch omgekeerd. Het water stroomt nu naar de bodem van de tank, omhoog door het zand en spoelt het eerder vastzittende vuil en gruis uit de afvoerleiding. Zodra het filter is teruggespoeld (schoongemaakt) van vuil, wordt de regelklep handmatig opnieuw ingesteld op spoelen en vervolgens filteren om de normale filtering te hervatten.

SPECIFICATIES

POMP	Model	HCP370-D
	Nominale spanning ^{En}	AC220-240V,50Hz 450W
	Ben p	2.1A
	Max.heat D	11 minuten
	Max.flo ln	13000L/U
	BeschermingsklasseS	IPX5
	Isolatieklasse	F

Bovenste montagefilter	Filterdiameter	14"
	Effectief filtratiegebied	0,099 m ²
	Tankinhoud	29L
	Vereist mediatype Vereist	#20 siliciumzand
	mediahoeveelheid Max.	26 kg
	werkdruk	35psi

HET FILTER INSTALLEREN

Lees en begrijp alle instructies voordat u probeert

uw pomp- en zandfiltersysteem installeren, bedienen of onderhouden.

1. Haal alle afzonderlijke componenten voorzichtig uit de doos en inspecteer ze voor zichtbare schade. Als de doos of onderdelen beschadigd zijn, neem dan contact op met de verkoper of vrachtbedrijf.

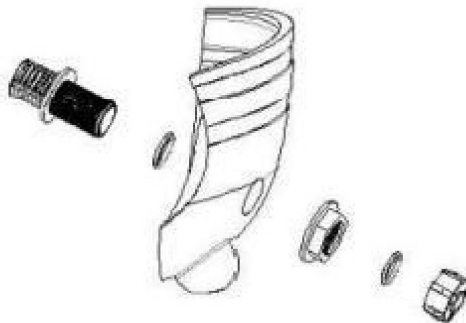
⚠ WARNING

Verstopping van de zuigaansluitingen kan ernstig of dodelijk letsel door verdrinking veroorzaken.
Om het risico op letsel te verminderen, mag u kinderen niet toestaan de zuigaansluiting te gebruiken.

⚠ WARNING

Werk nooit aan de pomp terwijl deze draait of als de stroom nog is aangesloten. Hoge spanning kan ernstig of dodelijk letsel veroorzaken. Er moet altijd een geschikte aardlekschakelaar (GFCI) worden geïnstalleerd bij de stroombron van dit apparaat. Zorg ervoor dat de motor is geaard voordat u deze op de elektrische wisselstroomvoeding aansluit. Als de motor niet is geaard, kan dit een ernstig of dodelijk elektrische schokgevaar opleveren. **NIET DOEN** geaard aan een gasleiding.

2. Het filtersysteem mag niet hoger dan 50 cm boven het waterniveau van het zwembad worden geïnstalleerd, op een vlakke betonnen plaat, een zeer stevige ondergrond of een gelijkwaardige ondergrond, zoals aanbevolen door uw zwembaddealer. Wanneer het filter met zand en water is gevuld, kan het enkele honderden kilo's wegen. Plaats het filter zo dat de leidingaansluitingen, de regelklep en de winterafvoer toegankelijk voor bediening, service en winterklaar maken.
3. Monteer de afvoer op de onderste uitlaat aan de onderkant van het filter tank. Zorg ervoor dat de o-ringen correct zijn gemonteerd om waterlekage te voorkomen. Zie de onderstaande afbeelding.



4. Plaats de filtertank op de systeembasis en draai hem een beetje met de klok mee bit. Plaats de filtertank zo dat de winterafvoer in de tegenovergestelde richting van de de pomp.
5. Monteer de pomp op de systeembasis.
6. Plaats de standpijp en de onderafvoerconstructie in het midden van de tank. Sluit de standpijp af met een zandschild om te voorkomen dat er zand in komt Vul de tank met ongeveer halfvol water. (Zorg ervoor dat de winterafvoerdop goed is stevig op zijn plaats). Giet voorzichtig de juiste hoeveelheid en kwaliteit filtermateriaal erin zand (Zorg ervoor dat de standpijp in het midden van de opening blijft).

 **IMPORTANT**

U mag alleen standaardsilicazand nr. 20 gebruiken met een uniforme structuur. coëfficiënt van 1,75 of minder. Silicazand nr. 20 heeft een deeltjesgrootte van 0,018-0,022 inches (.45 tot.55 mm).

Let op: Zand is niet inbegrepen.

7. Verwijder het zandschild van de standpijp. Was al het zand rondom weg de opening aan de bovenkant van de tank. Zorg ervoor dat de bovenkant van het filter vrij is van vuil. zand of vuil en de klep-o-ring zit op zijn plaats op het klephuis. Filter plaatsen Regelklep in de tankhals, waarbij u ervoor zorgt dat de standpijp in de tank glijdt. gat in de onderkant van de klep.
8. Plaats de klep zo dat de poorten zich in de gewenste eindpositie bevinden positie. Kleppoorten zijn gemarkeerd met de locatie waar ze zouden moeten zijn verbonden, dwz de pomppoort moet naar de pompafvoer gaan, de afvalpoort moet naar de afvoerleiding gaan en de retourpoort moet naar de retour van het zwembad gaan.
9. Veeg de filterflens schoon. Plaats de flensklep rond de tank en klepflens en monteer de schroeven en moeren met de inbussleutel. Draai de flens vast klemschroeven stevig vast en controleer visueel de kleptank en de klemconstructie om ervoor te zorgen dat de verbinding correct wordt gemonteerd.

 **WARNING**

Hoge druk:

Een onjuiste montage van de tankklep kan ertoe leiden dat de klep losraakt en ernstig letsel en/of grote materiële schade veroorzaakt.

10. Wikkel een stuk Teflon-buis die geschikt is voor de kunststofbuis om het 14"NPT-uiteinde van de meter. Schroef de manometer voorzichtig in het 1/4"NPT-gat in de klepbehuizing. Draai de buis niet te strak aan.
11. Schroef de slangadapters in de regelkleppoort gemarkeerd met PUMP en de pompafvoerpoort. Wikkel vijf windingen teflonbuis om elke slangadapter. Verbind de slangadapters met een 1,5" slang en gebruik een slangklem om ze vast te zetten.
12. Maak een retourverbinding naar de zwembadleiding naar de opening van de regelklep gemarkeerd met RETURN en voltooi andere noodzakelijke loodgietersverbindingen, afvoerleidingen, aanzuigleidingen naar de pomp, enz.
13. Om waterlekage te voorkomen, moet u ervoor zorgen dat de winterafvoerprop goed vastzit en dat alle leidingaansluitingen goed vastzitten.

 **CAUTION**

HOUD DE VEILIGHEIDSLABELS IN GOEDE STAAT EN VERVANG ZE INDIEN VERMIST OF BESCHADIGD.

FUNCTIES VAN DE FILTERREGELKLEP

FILTER: Vanaf de pomp, door de klep, naar beneden door het zandbed van het filter, omhoog door de middelste buis naar de retourpoort van de klep en terug naar het zwembad voor normale filterwerking en het zuigen van het zwembad via het filter.

TERUGSPOELING: Vanaf de pomp, door de klep, naar beneden door de middelste buis, omhoog door het filterzand naar de klep en de afvoerpoort. Deze positie wordt gebruikt om het filter te reinigen door de stroming om te keren.

SPOELEN: Vanaf de pomp, via de klep, naar beneden door het filterzand, omhoog via de middelste buis naar de klep en de afvoerpoort. Deze positie is

Wordt gebruikt voor de opstartreiniging en het opnieuw instellen van het filterbed na het terugspoelen.

AFVAL: Vanaf de pomp, via de klep, omzeilt het het filter en gaat naar de afvalpoort. Deze positie is bedoeld om rechtstreeks naar het afval te stofzuigen, waardoor de zwembadniveau, of

het zwembad leeg laten lopen.

SLUITEN: GEEN STROOM IN DEZE POSITIE - GEBRUIK DEZE INSTELLING NIET TERWIJL DE POMP WERKT.

WINTER: Klepstand voor een winterklaar filter.

EERSTE START-UP

1. Maak bij een nieuw zwembad het zwembad schoon voordat u het met water vult.

Overmatig vuil en grote deeltjes kunnen schade aan de pomp veroorzaken en filter.

2. Zorg ervoor dat alle aanzuig- en AFVOERleidingen van het zwembad open zijn, zodat het water weg kan stromen. vrij om van het zwembad naar de AFVOERleiding te stromen. Zet de regelklep op de BACKWASH-positie.

3. Controleer of de klepklem goed vastzit.

4. Controleer de zeefpot van de pomp om er zeker van te zijn dat deze vol water zit (zorg ervoor dat de slang (als er geen zeefmandje aanwezig is, staat de pomp vol met water). Draai het deksel van de pomp vast.

Start de pomp, zodat de filtertank zich met water vult.



GEBRUIK HET ZANDFILTER NIET DROOG.

5. Zodra de waterstroom uit de AFVOERleiding stabiel is, laat u de pomp gedurende ten minste 5 seconden draaien. minimaal 2 minuten of totdat het spoelwater schoon is. Deze eerste

Het wordt aanbevolen om het filter terug te spoelen om eventuele onzuiverheden van fijnstof te verwijderen zanddeeltjes in het siliciumzandmedium.

6. Zet de pomp uit en zet de klep op de stand "SPOELEN". Zorg ervoor dat alle de aanzuig- en AFVOERleidingen van het zwembad zijn open, zodat het water vrij kan stromen

van het zwembad naar de AFVOERlijn. **BLIJF UIT DE BUURT VAN HET FILTER** en start de pomp.

7. Laat de pomp minimaal twee minuten draaien.

8. Zet de pomp uit en zet de klep op de stand "FILTER". Zorg ervoor dat alle aanzuig- en RETOURleidingen van het zwembad zijn open, zodat het water vrij kan stromen van en terug naar het zwembad. **BLIJF UIT DE BUURT VAN HET FILTER** en start de pomp.

9. Het filter is nu begonnen met de filtercyclus. Zorg ervoor dat:

het water keert terug naar het zwembad en let op de werkdruk wanneer het filter is schoon.

10. Controleer het systeem op waterlekken. Als er een lek wordt gevonden, schakelt u de pomp uit voordat het lek wordt gedicht.

11. Omdat het filter vuil en onzuiverheden uit het zwembadwater verwijderd, ophoping zal ervoor zorgen dat de filterdruk stijgt en er water naar binnen stroomt afnemen. Wanneer de drukmeter 5-10 psi hoger is dan de

Als u de bovenstaande waarden voor het schone filter hebt gelezen, is het tijd om het filter terug te spoelen.

SCHOONMAAK

1. Het filter van een nieuw zwembad moet worden teruggespoeld en gereinigd na ongeveer 48 uur gebruik om gipsstof en/of bouwafval.

2. Er zijn drie verschillende manieren om te bepalen wanneer het filter vervangen moet worden terugspoelen.

·De meest nauwkeurige indicator op zwembadsystemen met een flowmeter is

terugspoeling wanneer de stroom met 30% afneemt ten opzichte van de oorspronkelijke (schone filter)flow. Bijvoorbeeld, als de oorspronkelijke flow 10000L/H was, hetfilterzou terug moeten zijn-

gewassen wanneer de stroom met ongeveer 3000 L/H (of 30%) wordt verminderd

- Een subjectievere en minder nauwkeurige indicator is het observeren van de hoeveelheid van water dat stroomt vanuit de stromingsrichtingen die zich in de wand van de zwembad. Het filter moet worden teruggespoeld zodra wordt gedetecteerd dat de stroming is verminderd.
 - De meest gebruikte, maar minder nauwkeurige indicator is backwash wanneer de filtermeterwaarde met 10 PSI stijgt ten opzichte van de initiële (schone filter)lezen.
3. Het is belangrijk om het filter niet alleen op tijdbasis terug te spoelen, zoals elke drie dagen. Het is ook belangrijk om op te merken dat ook het terugspoelen veroorzaakt vaak een slechte filtratie. Factoren zoals weersomstandigheden, zware regenval, stof of pollen en watertemperaturen hebben allemaal invloed op de frequentie van terugslag. Als u uw zwembad gebruikt, zult u zich bewust worden van deze invloeden.
4. Om schade aan de pomp en het filter te voorkomen en voor een goede werking van de systeem, reinig regelmatig de pompzeef en de skimmermandjes.
5. Als op enig moment de begindruk na het terugspoelen van het filter 4 aangeeft, tot 6 PSI hoger dan de normale startdruk, is het tijd om een chemische reinigingsprocedure.

FILTER TERUGSPOELPROCEDURE

1. Stop de pomp.

WARNING

Schakel de pomp altijd uit voordat u de klepstand verandert.

Het veranderen van de klepposities terwijl de pomp draait, kan de regelklep, wat ernstig letsel of materiële schade kan veroorzaken.

2. Zorg ervoor dat de aanzuig- en AFVOERleidingen open zijn, zodat het water vrij kan stromen. om uit het zwembad te komen en via de AFVOERleiding weg te stromen. Zet de regelklep op

de "BACKWASH"-positie.

3. BLIJF UIT DE BUURT VAN HET FILTER en start de pomp.

4. Spoel het filter ongeveer 3 tot 5 minuten terug of totdat het terugspoelwater is verdwenen.
is schoon

5. Stop de pomp en zet de klep op de stand "SPOELEN".

6. BLIJF UIT DE BUURT VAN HET FILTER en start de pomp.

7. Spoel het filter ongeveer 30 seconden.

8. Stop de pomp en zet de klep op de stand "FILTER".

9. Zorg ervoor dat de RETOURleiding van het zwembad open is, zodat het water vrij kan stromen.
het filter terug naar het zwembad.

10. BLIJF UIT DE BUURT VAN HET FILTER en start de pomp.

11. Het filter is nu begonnen met de filtercyclus. Controleer of het water terugstroomt
naar het zwembad en let op de filterdruk als het filter schoon is.

12. De filterdruk in stap 11 hierboven mag de druk niet overschrijden
oorspronkelijk waargenomen op het filter toen het voor het eerst werd gestart. Als, na
terugspoelen, de druk is 4 tot 6 psi boven de startconditie, het zal
noodzakelijk om het zandbed chemisch te reinigen.

UW FILTER WINTERKLAAR MAKEN

WARNING

Als u water in het systeem laat bevriezen, beschadigt u het systeem en
mogelijke waterschade/overstromingen en mogelijke schade aan eigendommen veroorzaken

In gebieden met temperaturen onder het vriespunt in de winter moet de zwembaduitrusting
winterklaar gemaakt om schade te voorkomen.

1. Spoel het zandfilter terug.

2. Na het terugspoelen, zet u de pomp uit en beweegt u de hendel van de klep
naar de WINTER-positie.



De multipoortklep moet tijdens de winter in de "WINTER"-stand blijven staan. sluitingsseizoen. Als u dit niet doet, kan het systeem beschadigd raken, wat kan leiden tot schade aan eigendommen veroorzaken door lekkend water.

3. Verwijder de afvoerdop aan de onderkant van de filtertank en laat de dop zitten

Tijdens de winter uitzetten. Filtertank volledig leegmaken.

4. Laat de pomp leeglopen en maak hem winterklaar.

5. Laat alle relevante leidingen van het systeem leeglopen.

WINTERKLAAR MAKEN VAN UW FILTER PROBLEMEN OPLOSSEN

Zwembadwater is niet voldoende schoon.	<ol style="list-style-type: none"> 1. De chemie van het zwembad is niet voldoende om algengroei te remmen groei. 2. Onjuist bedrag of verkeerde zandgrootte. 3. Onvoldoende personeelsverloop. 	<ol style="list-style-type: none"> 1. Onderhoud de chemie van het zwembad of raadpleeg een service technicus. 2. Controleer de diepte van het zandbed en zandgrootte of raadpleeg een zwembadtechnicus. 3. Laat het systeem een tijdje draaien langere tijd of raadpleeg een dealer of zwembad service technicus.
Lekkage regelklep	<ol style="list-style-type: none"> 1. Regelklep is ingesteld tussen twee functies. 2. De pakking is kapot. 	<ol style="list-style-type: none"> 1. Zet de klep op de juiste functie. 2. Vervang de pakking.
De motor is Rennen, maar geen water stroomt door de pomp.	<ol style="list-style-type: none"> 1. Er komt lucht in het systeem. 2. Zuighoogte ook hoog, verkeerde positie. 	<ol style="list-style-type: none"> 1. Controleer alle slangen/leidingen verbindingen en zorgen voor het zeefdeksel is aangescherpt. 2. Plaats de systeem/pomp naar een lagere plaats.

Er stroomt zand in de zwembad.	<ol style="list-style-type: none"> 1. Het zand is te klein. 2. Het niveau van het zand is te hoog. 3. Kapotte onderafvoer montage. 	<ol style="list-style-type: none"> 1. Gebruik #20 silicazand 2. Verlaag het zandniveau tot 2/3 van het filter 3. Vervang kapotte of beschadigde montage.
Hogere filterdruk.	<ol style="list-style-type: none"> 1. Onvoldoende terugspoeling. 2. Gedeeltelijk gesloten klep of beperking. 	<ol style="list-style-type: none"> 1. Terugspoelen tot effluent loopt vrij. 2. Open de klep of verwijderen de obstructie in de retourleiding.
Terugstroom naar zwembad verminderd, laag filter druk,	<ol style="list-style-type: none"> 1. Obstructie in de pomp. 2. Obstructie in de zuigkracht lijn naar pomp. 	<ol style="list-style-type: none"> 1. Demonteren en schoonmaken de pomp. Schone zeef/skimmer mand. 2. Verwijder de obstructie in lijnen .

Correcte verwijdering

Dit product valt onder de bepalingen van de Europese richtlijn 2012/19/EU.

Het symbool met een doorgestreepte afvalbak geeft aan dat het product

vereist gescheiden afvalinzameling in de Europese Unie. Dit geldt voor de

product en alle accessoires die met dit symbool zijn gemarkeerd. Producten die als zodanig zijn gemarkeerd mag niet bij het normale huisvuil worden gegooid, maar moet naar het afvalverwerkingsbedrijf worden gebracht.

eene inzamelpunt voor het recyclen van elektrische en elektronische apparaten.



VEVOR[®]

TOUGH TOOLS, HALF PRICE

Technische ondersteuning en e-
garantiecertificaat www.vevor.com/support

VEVOR[®]

TOUGH TOOLS, HALF PRICE

Teknisk support och e-garanticertifikat

www.vevor.com/support

SIMPASSPUMP

USR WIN L

MODELL: HCP370-D

Vi fortsätter att vara engagerade i att ge dig verktyg till konkurrenskraftiga priser.

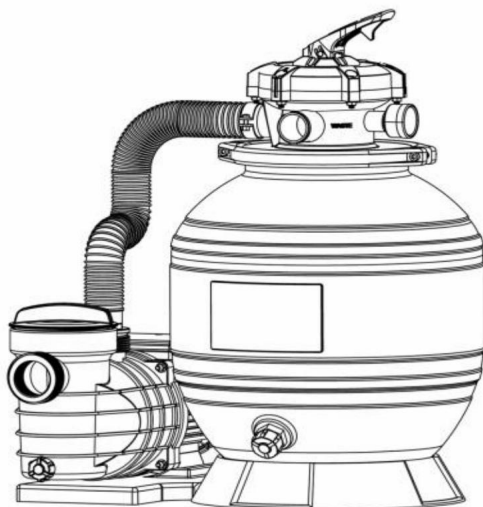
"Spara hälften", "halva priset" eller andra liknande uttryck som används av oss representerar bara en uppskattning av besparingar du kan dra nytta av att köpa vissa verktyg hos oss jämfört med de stora toppmärkena och betyder inte nödvändigtvis att täcka alla kategorier av verktyg som erbjuds av oss. Du påminns vänligen om att noggrant kontrollera när du gör en beställning hos oss om du faktiskt sparar hälften i jämförelse med de främsta stora varumärkena

VEVOR®

TOUGH TOOLS, HALF PRICE

SIMPASSPUMP

MODELL: HCP370-D



BEHÖVER HJÄLP? KONTAKTA OSS!

Har du produktfrågor? Behöver du teknisk support? Kontakta oss gärna:

**Teknisk support och e-garanticertifikat [www.vevor.com/
support](http://www.vevor.com/support)**

Detta är den ursprungliga instruktionen, läs alla instruktioner noggrant innan du använder den. VEVOR reserverar sig för en tydlig tolkning av vår användarmanual. Utseendet på produkten är beroende av den produkt du fått. Ursäkta oss att vi inte kommer att informera dig igen om det finns någon teknik eller mjukvaruuppdateringar på vår produkt.

VIKTIG VARNING OCH SÄKERHET

DANGER

ALLVARLIG KROPPSSKADA ELLER DÖD KAN RESULTAT OM DENNA SAND FILTER ÄR INTE INSTALLERADE OCH ANVÄNDS KORREKT.

DANGER

INSTALLATÖRER, POOLSÖKARE OCH POOLÄGARE MÅSTE LÄSA DESSA VARNINGAR OCH ALLA INSTRUKTIONER INNAN DU ANVÄNDER DETTA SANDFILTER.

WARNING

Detta sandfilter är avsett för användning i poolapplikationer.

WARNING

De flesta delstater och lokala bestämmelser reglerar konstruktion, installation och drift av offentliga pooler och spa samt byggande av bostadspooler och spa. Det är viktigt att följa dessa koder, varav många direkt reglera installationen och användningen av denna produkt. Rådfråga din lokala byggnad och hälsokoder för mer information.

WARNING

Tillåt inte barn att använda eller använda detta sandfilter.

Innan du installerar denna produkt, läs och följ alla varningsmeddelanden och instruktioner i denna guide. Underlåtenhet att följa varningar och instruktioner kan leda till allvarliga skador, dödsfall eller skador på egendom.

WARNING

INNAN DU ARBETAR MED FILTRET!

Air Release:

Tryck ner kontrollventilens handtag för att släppa ut luften.

OBS: Det är viktigt att upprepa denna operation varje gång du starta pumpen efter vinterbehandling, underhåll och backspolning.

⚠ CAUTION

Komponenter som filtreringssystem, pumpar och värmare måste placeras så att de inte används som tillgång till poolen av små barn.

⚠ WARNING

Elektrisk jordning av all elektrisk utrustning innan den ansluts till elnätet.

Underlåtenhet att jorda all elektrisk utrustning kan orsaka allvarlig eller dödlig risk för elektriska stötar.

⚠ WARNING

För att undvika farliga eller dödliga elektriska stötar, stäng AV strömmen till all elektrisk utrustning innan du arbetar med elektriska anslutningar.

⚠ CAUTION

Detta sandfilter är endast avsett för användning med förvaringsbara pooler. Använd det inte med permanent installerade pooler. Den förvaringsbara poolen är konstruerad så att den lätt kan demonteras för förvaring och återmonteras till sin ursprungliga integritet permanent installerad pool är konstruerad i eller på marken eller i en byggnad så att den inte lätt kan demonteras för förvaring.



Högt tryck från sandfiltret kan orsaka allvarliga skador eller större egendomsskador på grund av tankseparering.

Släpp allt tryck och läs instruktionerna innan du arbetar med sandfiltret.

Om filterklämman justeras under tryck kan tanken

separat, vilket orsakar allvarlig skada eller större egendomsskada.



**RISK FÖR ELEKTRISK STÖT ELLER ELEKTRISK STÖT: PUMPAR KRÄVER
HÖG SPÄNNING, SOM KAN SCHOCKA, BRÄNDA ELLER DÖDA.**

INNAN DU ARBETA MED PUMPEN!

Koppla alltid bort strömmen till poolpumpen vid strömbrytaren från pumpen innan du servar pumpen.

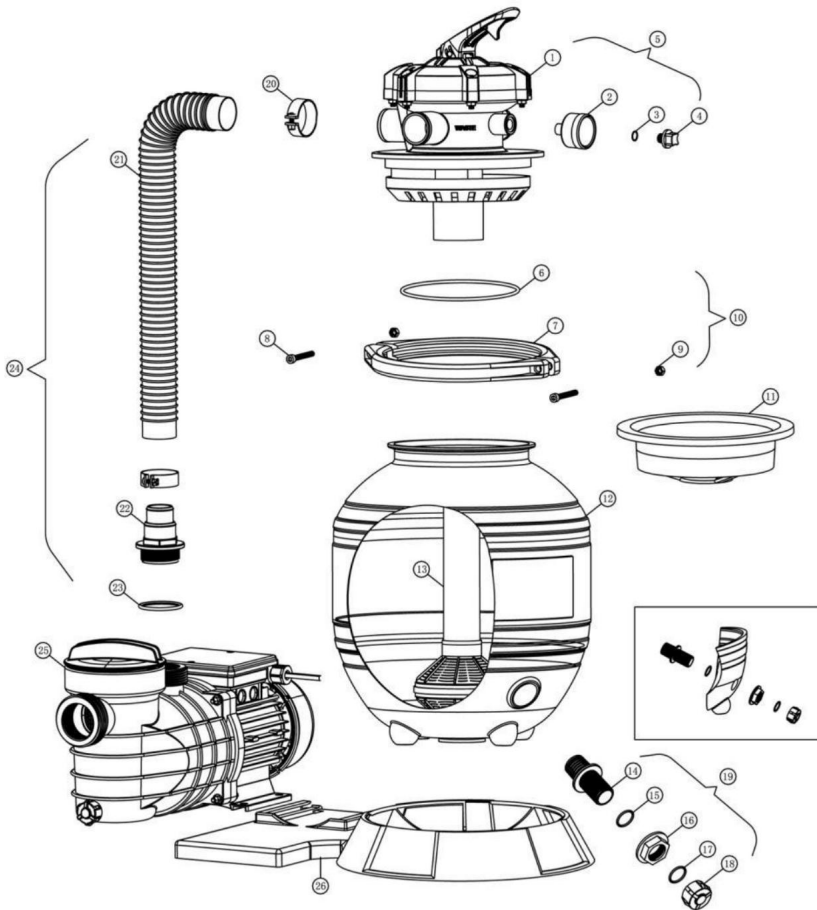
Underlåtenhet att göra det kan leda till dödsfall eller allvarliga skador på servicepersonen, poolanvändare eller andra på grund av elektriska stötar.



En pool- eller spapump måste installeras av en kvalificerad pool- och spaservicetekniker i enlighet med National Electrical Code och alla tillämpliga lokala bestämmelser och förordningar.

Felaktig installation kan skapa en elektrisk fara som kan leda till dödsfall eller allvarliga skador för poolanvändare, installatörer eller andra på grund av elektriska stötar och kan också orsaka skada på egendom.

MONTERINGSDIAGRAM



Antal	Beskrivning	Antal
1	Ventil 1-1/2in.5-vägs klämtyp	1
2	Tryckmätare O-	1
3	ring, plugg	1
4	Plugg, Tryckmätare	1
5	Ventil Montage	1
6	O-ring, Ventil	1

7	Flänsklämma	2
8	Skruva	2
9	Mutter	2
10	Klämenhet	1
11	Sandsköld	1
12	Filtertank	1
13	Ställrör och underavloppsenshet	1
14	Töm tapp	1
15	O-ring, plugg	1
16	Dräneringsmutter	1
17	O-ring, plugg	1
18	Avloppslock	1
19	Dräneringssats	1
20	Slangklämma	5
21	Pump till filter Slang	1
22	Slangadapter O-	2
23	ring. Slangadapter	1
24	Pump till filterenhet Pump	1
25		1
26	Pumpbas	1

FILTERÖVERSIKT

Ditt högklassiga sandfilter är designat för att producera klart, glittrande vatten och fungera i flera år med ett minimum av underhåll när det är installerat, drivs och underhålls i enlighet med dessa instruktioner.

Ditt filter använder speciell filtersand för att ta bort smutspartiklar från poolvattnet.

Filtersand laddas i filtertanken och fungerar som smutsavlägsnande medium. Poolvattnet, som innehåller svävande smutspartiklar, pumpas

genom ditt rörsystem och dirigeras automatiskt av filterkontrollventilen till toppen av filtertanken. När poolvattnet pumpas genom filtersanden fångas smutspartiklar av sandbädden och filtreras ut. Det rengjorda poolvattnet strömmar från botten av filtertanken, upp genom ståndröret och tillbaka till ventilen på toppen av filtret där det rena vattnet återförs till poolen genom rören eller slangarna.

Efter en tid orsakar den ansamlade smutsen i filtret ett motstånd mot flödet och flödet minskar.

Detta betyder att det är dags att rengöra (backspola) filtret. Med kontrollventilen i backspolningsläget sker vattenflödet automatiskt vänds genom filtret så att det riktas till botten av tanken, upp genom sanden och spolar den tidigare instängda smutsen och skräpet ut ur avloppsledningen. När filtret är tillbaka tvättas (rengörs) från smuts, styrventilen återställs manuellt till Sköljning och sedan Filter för att återuppta normal filtrering.

SPECIFIKATIONER

PUMP	Modell	HCP370-D
	Nominell spänning ^{sch}	AC220-240V, 50Hz 450W
	Am _{sid}	2.1A
	Max. head	11 m
	Max. flow	13000L/H
	Skyddsklass	IPX5
	Isoleringsklass	F

Top Mount Filter	Filterdiameter	14"
	Effektivt filtreringsområde	0,099 y
	Tankvolym	29L
	Erforderlig mediatyp	#20 kiseldioxidsand
	Erforderlig mediamängd Max.	26 kg
	Arbetstryck	35psi

INSTALLERA FILTRET

Läs och förstå alla instruktioner innan du försöker installera, driva eller underhålla ditt pump- och sandfilterssystem.

1. Ta försiktigt bort alla enskilda komponenter från kartongen och inspektera för eventuella synliga skador. Om kartongen eller delar är skadade, kontakta säljaren eller fraktbolag.

⚠ WARNING

Blockering av sugkopplingar kan orsaka allvarliga eller dödliga skador på grund av drunkning. För att minska risken för skador, låt inte barn använda

⚠ WARNING

Arbeta aldrig på pumpen medan den är igång eller strömmen fortfarande är ansluten. Högsänning kan orsaka allvarliga eller dödliga skador. En lämplig jordfelsbrytare (GFCI) bör alltid installeras vid strömkällan till denna enhet. Se till att jorda motorn innan du ansluter den till den elektriska växelströmskällan.

Underlåtenhet att jorda motorn kan orsaka en allvarlig eller dödlig risk för elektriska stötar.

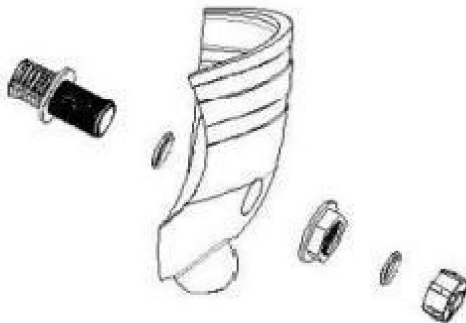
jord till en gasledning.

2. Filtersystemet bör installeras högst 50 cm över poolvattennivån, på en jämn betongplatta, mycket fast mark eller motsvarande, enligt din poolåterförsäljares rekommendationer. När filtret är fyllt med sand och vatten kan det väga flera hundra pund. Placera filtret så att röranslutningarna, reglerventilen och vinteravloppet är

tillgänglig för drift, service och vinterförvaring.

3. Montera avloppet till det nedre utloppet i botten av filtret

tank. Se till att o-ringarna är korrekt monterade för att förhindra vattenläckage. Se figuren nedan.



4. Placera filtertanken på systembasen och rotera lite medurs bit. Placera filtertanken så att vinteravloppet är vänt mot motsatt riktning pumpen.
5. Montera pumpen på systembasen.
6. Placera ståndröret och dräneringsenheten i mitten av tank. Täck ståndröret med ett sandskydd för att förhindra att sand tränger in. Fyll tanken med ungefär halvfyllt vatten. (Se till att vinteravloppslocket sitter säkert på plats). Håll försiktigt i rätt mängd och filterkvalitet sand (Se till att ståndröret förblir centrerat i öppningen).

 **IMPORTANT**

Du får endast använda No.20 standard kiseldioxidsand med en jämnhet koefficient på 1,75 eller mindre. No.20 kiseldioxidsand har en partikelstorlek av 0.018-0.022 tum (0,45 till 55 mm).

Obs: Sand ingår ej.

7. Ta bort sandskyddet från ståndröret. Tvätta bort all sand runt omkring öppningen på toppen av tanken. Se till att toppen av filtret är fri från något sand eller skräp och ventilens o-ring är på plats på ventilhuset. Sätt i filtret Styrventilen i tankens hals, var noga med att ståndröret glider in i hål i botten av ventilen.
8. Placera ventilen så att portplatserna är i önskad slutlig position. Ventilportar är markerade med platsen där de ska vara ansluten, dvs. pumpporten måste gå till pumpens utlopp, avfallsporten måste gå till avloppsledningen, och returporten måste gå till poolens retur.
9. Torka av filterflänsen. Placera flänsklämman runt tanken och ventilfläns och montera skruvar och muttrar med insexnyckeln. Dra åt spänn fast skruvarna ordentligt och kontrollera visuellt ventiltanken och klämenheten för att säkerställa att fogen är korrekt monterad.

 **WARNING**

Högtryck:

Felaktig montering av tankventilen kan få ventilen att separera och orsaka allvarliga skador och/eller större materiella skador.

10. Linda ett teflonrör som tillverkats för plaströret på 14" NPT-hanänden av mätaren. Skruva försiktigt in tryckmätaren i det 1/4" NPT-gängade hålet i ventilhuset. Dra inte åt för hårt.
11. Skruva fast slangadapterna i styrventilporten märkt PUMP och pumpens utloppsport. Linda fem varv av teflonrör på varje slangadapter. Anslut slangadapterna med en 1,5" slang och använd en slangklämma för att fixera dem.
12. Gör en återgång till poolens röranslutning till kontrollventilöppningen märkt RETURN och slutför övriga nödvändiga VVS-anslutningar, avloppsledning, sugledning till pumpen, etc.
13. För att förhindra vattenläckage, se till att vinterdräneringslocket sitter ordentligt på plats och att alla röranslutningar är täta.

 **CAUTION**

HÅLL SÄKERHETSETIKETTER I GOTT SKICK OCH BYT OM SAKNAS ELLER SKADAD.

FILTER KONTROLLVENTIL FUNKTIONER

FILTER: Från pumpen, genom ventilen, nedåt genom filtersandbädden, upp genom mittröret till ventilens returport och tillbaka till poolen för normal filterverkan och dammsugning av poolen genom filtret.

BACKWASH: Från pumpen, genom ventilen, ner genom mittröret, upp genom filtersand till ventilen och ut avloppsporten. Denna position används för att rengöra filtret genom att vända flödet.

SKÖLJNING: Från pumpen, genom ventilen, nedåt genom filtersand, upp genom mittröret till ventilen och ut avloppsporten. Detta läge är

används för startrengöring och återställning av filterbädden efter backspolning.

AVFALL: Från pumpen, genom ventilen, går förbi filtret och går till avfallsporten. Denna position är för att dammsuga direkt till avfall, sänka poolnivå, eller

tömma poolen.

STÄNG: INGEN FLYTNING DENNA POSITION - ANVÄND INTE DENNA INSTÄLLNING MEDAN PUMPEN FUNGERAR.

VINTER: Ventilläge för ett vinterfilter.

FÖRSTA UPPSTART

1. På en ny pool, rengör poolen innan du fyller poolen med vatten.

Överdriven smuts och stora partiklar kan orsaka skador på pumpen och filtrera.

2. Se till att alla poolens sug- och AVFALLSledningar är öppna så att vattnet är fritt att rinna från poolen till WASTE-ledningen. Ställ reglerventilen på läget BACKWASH.

3. Kontrollera att ventilklämman är tät.

4. Kontrollera pumpsilkåret för att vara säker på att den är full med vatten (Kontrollera slangen är full med vatten om det inte finns någon silkorg). Dra åt pumplocket.

Fyll på och starta pumpen, låt filtertanken fyllas med vatten.



TORRKÖR INTE SANDFILTRET.

5. När vattenflödet är jämnt ut genom WASTE-ledningen, kör pumpen i kl minst 2 minuter eller tills returspolningsvattnet är rent

backspolning av filtret rekommenderas för att avlägsna eventuella föroreningar sandpartiklar i kiseldioxidsandmediet.

6. Stäng av pumpen och ställ in ventilen i "SKÖLJNING"-läget. Se till att alla poolsug och AVFALLSledningar är öppna så att vattnet kan rinna fritt

från poolen till WASTE-linjen. STÅ FRÅN FILTER och starta pump.

7. Kör pumpen i minst två minuter.

8. Stäng av pumpen och ställ in ventilen i "FILTER"-läget. Se till att alla poolsug- och RETURN-ledningar är öppna så att vattnet kan rinna fritt från och tillbaka till poolen. STÅ FRÅN FILTER och starta pump.

9. Filtret har nu startat sin filtreringscykel. Det bör du se till vattnet kommer tillbaka till poolen och notera driftstrycket när filtret är rent.

10. Kontrollera systemet för vattenläckor. Om en läcka upptäcks, stäng av pumpen innan du åtgärdar läckan.

11. Eftersom filtret tar bort smuts och föroreningar från poolvattnet, ackumulering gör att filtertrycket stiger och flyter till Minska. När tryckmätarens avläsning är 5-10 psi högre än Rengör filteravläsningen ovan, det är dags att backspola filtret.

RENGÖRING

1. Filtret på en ny pool ska baktvättas och sedan rengöras cirka 48 timmars drift för att rensa bort gipsdamm och/eller byggrester.

2. Det finns tre olika sätt att identifiera när filtret behöver bakspolning.

·Den mest exakta indikatorn på poolsystem med flödesmätare är att

backspolning när flödet minskar 30 % från originalet (ren filter)flöde. Om det ursprungliga flödet till exempel var 10000L/H, filtret borde vara tillbaka-

tvättas när flödet minskas med cirka 3000 l/h (eller 30 %)

- En mer subjektiv och mindre exakt indikator är att observera mängden av vatten som strömmar från flödesriktningarna som finns i väggen på pool. Filtret ska backspolas när det upptäcks att flödet har minskat.
 - Den vanligaste men mindre exakta indikatorn är backspolning när filtermätaravläsningen ökar med 10 PSI över initial (ren filter) läsning.
3. Det är viktigt att inte backspola filtret enbart på tidsbestämd basis, som t.ex var tredje dag. Det är också viktigt att notera att backspolning också orsakar ofta dålig filtrering. Faktorer som väderförhållanden, kraftiga regn, damm eller pollen och vattentemperaturer påverkar alla frekvensen av backwash. När du använder din pool kommer du att bli medveten om dessa influenser.
4. För att förhindra skador på pumpen och filtret och för korrekt drift av pumpen system, rengör pumpsilen och skimmerkorgarna regelbundet.
5. Om, vid något tillfälle, starttrycket efter backspolning av filtret indikerar 4 till 6 PSI högre än det normala starttrycket är det dags att utföra en kemisk rengöringsprocedur.

FÖRFARANDE FÖR BACKSPOTTNING MED FILTER

1. Stoppa pumpen.

WARNING

Stäng alltid av pumpen innan du ändrar ventillägen.

Att ändra ventillägen medan pumpen är igång kan skada kontrollventil, vilket kan orsaka allvarliga skador eller skador på egendom.

2. Se till att sug- och AVFALLSledningarna är öppna så att vattnet är fritt att komma från poolen och rinna ut WASTE-ledningen. Ställ reglerventilen på

"BACKWASH"-läget.

3. STÅ FRÅN FILTRET och starta pumpen.

4. Tillbaksspolningsfiltret i cirka 3 till 5 minuter eller tills det återspolningsvatten är ren

5. Stanna pumpen och ställ ventilen till "SKÖLJNING"-läget.

6. STÅ FRÅN FILTRET och starta pumpen.

7. Skölj filtret i cirka 30 sekunder.

8. Stanna pumpen och ställ in ventilen i "FILTER"-läget.

9. Se till att poolens RETURN-ledning är öppen så att vattnet kan rinna fritt från filtret tillbaka till poolen.

10. STÅ FRÅN FILTER och starta pumpen.

11. Filtret har nu startat sin filtreringscykel. Kontrollera att vattnet kommer tillbaka till poolen och notera filtertrycket när filtret är rent.

12. Filtertrycket i steg 11 ovan bör inte överstiga trycket ursprungligen observerades på filtret när det startades. Om, efter backspolning, trycket är 4 till 6 psi över starttillståndet, kommer det att vara nödvändigt för att rengöra sandbädden kemiskt.

VINTERISERA DITT FILTER

WARNING

Att tillåta vatten att frysa i systemet kommer att skada systemet och orsaka potentiell vattenskada/översvämning och potentiell egendomsskada

I områden som har minusgrader på vintern måste poolutrustning vara vinteriserad för att skydda mot skador.

1. Spola tillbaka sandfiltret.

2. Stäng av pumpen efter bakspolning och flytta ventilens handtag till VINTER-positionen.


CAUTION

Flerportsventilen ska lämnas i "WINTER"-läget under tiden avstängningssäsong. Underlåtenhet att göra det kan skada systemet, vilket kan orsaka egendomsskador från läckande vatten.

3. Ta bort avtappningslocket på botten av filtertanken och lämna locket av under vintern. Töm filtertanken helt.
4. Töm och vinterställ pumpen.
5. Töm alla lämpliga systemrör.

VINTERISERA DITT FILTER FELSÖKNING

<p>Poolvatten är det inte tillräckligt ren.</p>	<ol style="list-style-type: none"> 1. Pool kemi är inte tillräcklig för att hämma alger tillväxt. 2. Otillbörligt belopp eller fel sandstorlek. 3. Otillräcklig omsättningshastighet. 	<ol style="list-style-type: none"> 1. Upprätthåll poolkemi eller konsultera en tjänst tekniker. 2. Kontrollera sandbäddens djup och sandstorlek eller konsultera en poolservicetekniker. 3. Kör systemet för en längre tid eller konsultera a återförsäljare eller poolservice tekniker.
<p>Kontrollventil läckage</p>	<ol style="list-style-type: none"> 1. Kontrollventilen är inställd mellan två funktioner. 2. Packningen är trasig. 	<ol style="list-style-type: none"> 1. Ställ in ventilen på rätt funktion. 2. Byt ut packningen.
<p>Motorn är Springer, men inget vatten rinner genom pump.</p>	<ol style="list-style-type: none"> 1. Luft kommer in i systemet. 2. Sughöjd också hög, felaktig position. 	<ol style="list-style-type: none"> 1. Kontrollera alla slangar/rör anslutningar och säkerställa sillocket är åtdragna. 2. Placera system/pump till en lägre plats.

<p>Sand rinner in i <small>slå samman.</small></p>	<ol style="list-style-type: none"> 1.Sanden är för liten. 2. Nivån på sanden är för högt. 3. Trasigt underavlopp montering. 	<ol style="list-style-type: none"> 1.Använd#20 kiseldioxidsand 2. Sänk sandnivån till 2/3 av filtret 3. Byt ut trasiga eller skadad montering.
<p>Högre filtertryck.</p>	<ol style="list-style-type: none"> 1.Otillräcklig bakspolning. 2.Delvis stängd ventil eller begränsning. 	<ol style="list-style-type: none"> 1.Tillbakspolning tills avloppsvatten springer klart. 2.Öppna ventilen eller ta bort hindret i returlinje.
<p>Återflöde till poolen minskat, lågt filter tryck,</p>	<ol style="list-style-type: none"> 1. Hinder i pumpen. 2. Hinder i suget linje till pump. 	<ol style="list-style-type: none"> 1. Ta isär och rengör pumpen. Rengör sil/skimmer korg. 2.Ta bort hinder i rader.

Korrekt

avfallshantering Denna produkt omfattas av bestämmelserna i det europeiska direktivet 2012/19/EU.

Symbolen som visar en soptunna på hjul korsad anger att produkten

kräver separat sophämtning i Europeiska unionen. Detta gäller för

produkten och alla tillbehör märkta med denna symbol. Produkter märkta som sådana

får inte slängas tillsammans med vanligt hushållsavfall utan måste tas till

en samlingsplats för återvinning av elektriska och elektroniska apparater.



VEVOR[®]

TOUGH TOOLS, HALF PRICE

Teknisk support och e-garanticertifikat

www.vevor.com/support