

VEVOR[®]

TOUGH TOOLS, HALF PRICE

Technical Support and E-Warranty Certificate www.vevor.com/support

SCOOTER LIFT

MODEL: XSJ23-F08

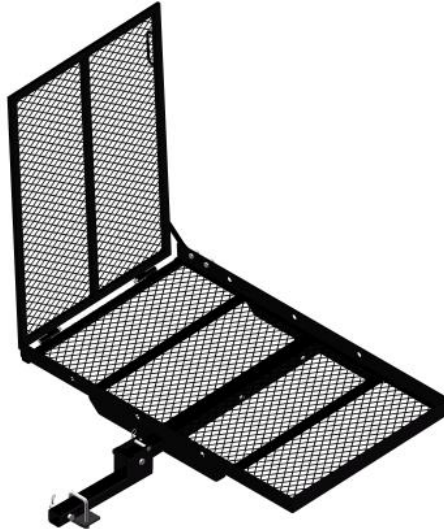
We continue to be committed to provide you tools with competitive price.

"Save Half", "Half Price" or any other similar expressions used by us only represents an estimate of savings you might benefit from buying certain tools with us compared to the major top brands and does not necessarily mean to cover all categories of tools offered by us. You are kindly reminded to verify carefully when you are placing an order with us if you are actually saving half in comparison with the top major brands.

VEVOR[®]

SCOOTER LIFT

MODEL: XSJ23-F08



NEED HELP? CONTACT US!

Have product questions? Need technical support? Please feel free to contact us:

Technical Support and E-Warranty Certificate
www.vevor.com/support

This is the original instruction, please read all manual instructions carefully before operating. VEVOR reserves a clear interpretation of our user manual. The appearance of the product shall be subject to the product you received. Please forgive us that we won't inform you again if there are any technology or software updates on our product.



Safety & Warning

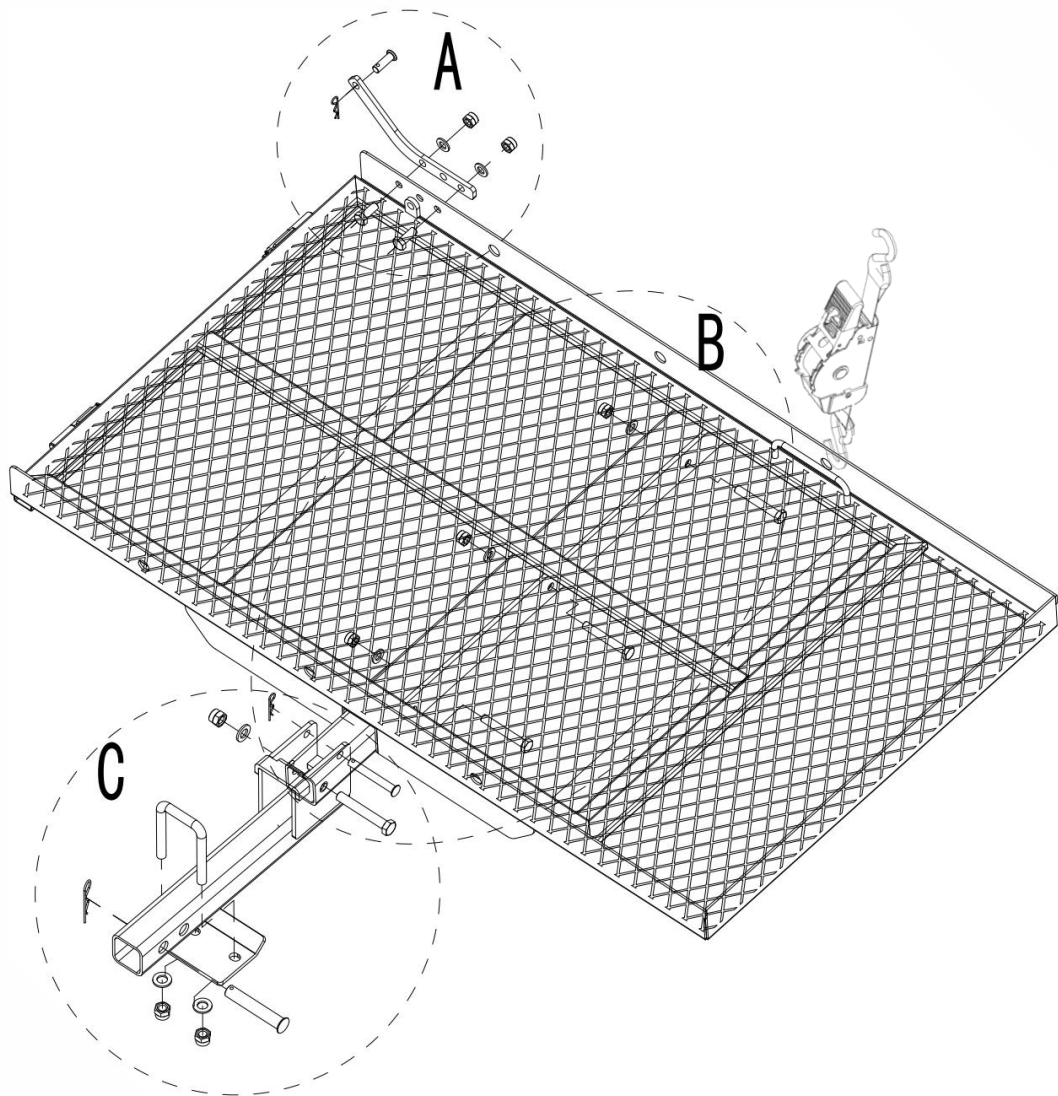
- Read and understand this entire manual before assembling, installing, operating, or servicing this product. Failure to follow these warnings and instructions can cause death, personal injury or damage to valuable property.
- Adhere to all Department of Transportation (D.O.T.) requirements when using this product. Use ropes and tie downs (not included) to securely hold all cargo in place.
- For the vehicle that will support the Cargo Carrier, read all pertinent vehicle instructions and warnings provided in the owner's manual. Make sure the vehicle's engine is OFF, with parking brake set, before loading or unloading the Cargo Carrier.
- This Cargo Carrier must be attached to a 2" x 2" Class III or Class IV hitch receiver. The hitch must be properly installed by a qualified service technician and be certified to support the weight of this Cargo Carrier and its contents.
- This Cargo Carrier is designed to haul firewood, coolers, and other similar loads. Do not modify the Carrier and do not use this product for purposes that it was not designed for.
- Do not overload the Cargo Carrier. Never exceed the maximum weight capacity.
- When assembly is complete, check and test all vehicle systems including lights and brakes; make sure no damage occurred during product installation.
- Frequently check the condition of the Cargo Carrier and the vehicle's hitch receiver. Make sure all components are in good condition. If the Cargo Carrier or hitch receiver becomes damaged through accident, or if any weld damage is noted, the product should be replaced. Check to make sure that all hardware is tightly secured in place. Keep the Cargo Carrier clean.
- Use common sense when working. Stay alert and concentrate when setting up and using the Cargo Carrier. Never work while under the influence of alcohol, drugs or medications.

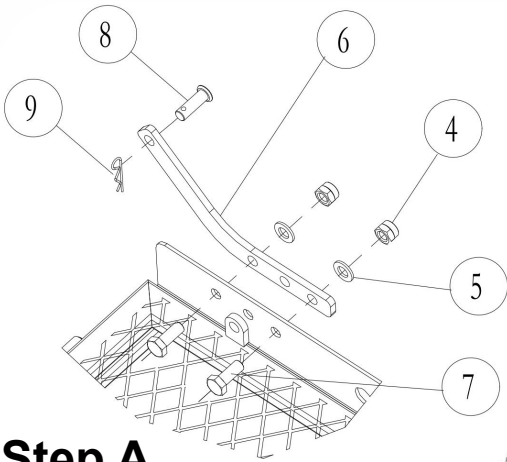
- While assembling and using the Cargo Carrier keep the work area clean and well lighted. Keep spectators and children out of the work area.
- Dress appropriately. Never wear loose-fitting clothing or jewelry when working. Contain long hair, and keep hair, clothing and gloves away from moving parts.
- Be aware of the danger of "dynamic loading". This situation arises when a load is dropped onto the Carrier, resulting in a short-term excessive load. Dynamic loading can result in damage and failure of the Carrier and/or hitch receiver, and personal injury to the person loading the Carrier.
- Never load people or animals into the Cargo Carrier.
- The weight inside the Cargo Carrier should be evenly distributed, with heavier items positioned towards the center of the Carrier.
- Note the position of the vehicle's exhaust pipes before setting up the Cargo Carrier. Make sure exhaust pipes are not in close proximity to the Cargo Carrier; flammable goods in the Cargo Carrier could catch on fire due to heat from the exhaust. If this risk exists on your vehicle, do not use the Cargo Carrier.
- Do not ride in the vehicle being loaded or unloaded. Load and unload the vehicle slowly, according to manual instructions.

Specifications

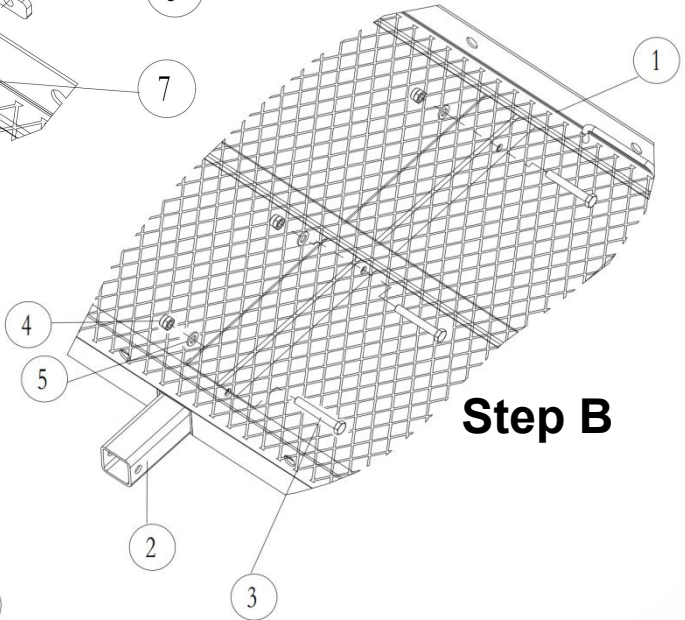
Model Series	XSJ23-F08
Maximum Load Capacity (lbs)	500
For Use With	2" x 2" Class III and IV Hitch Receivers
Cargo Basket Dimensions (mm)	1200 x 680 x 112 mm
Material	Iron (spray painted)
Color	Black

Installation Guide

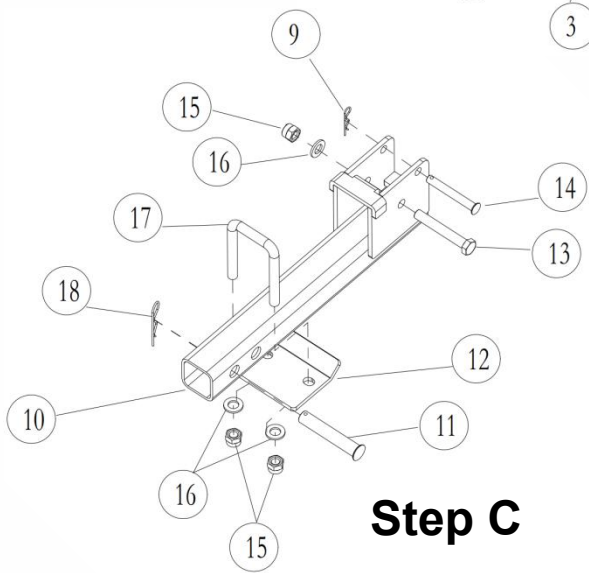




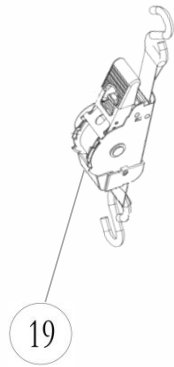
Step A



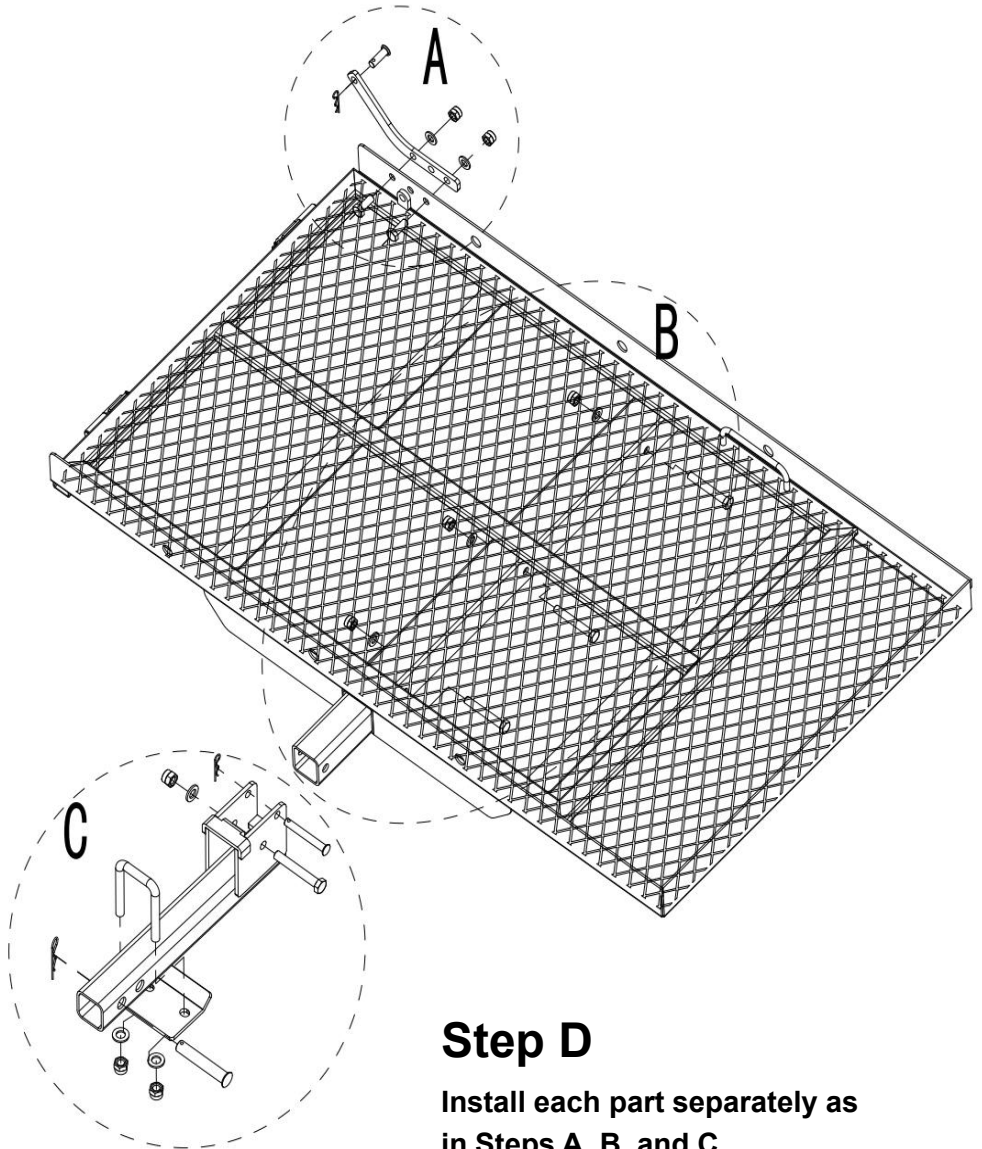
Step B



Step C



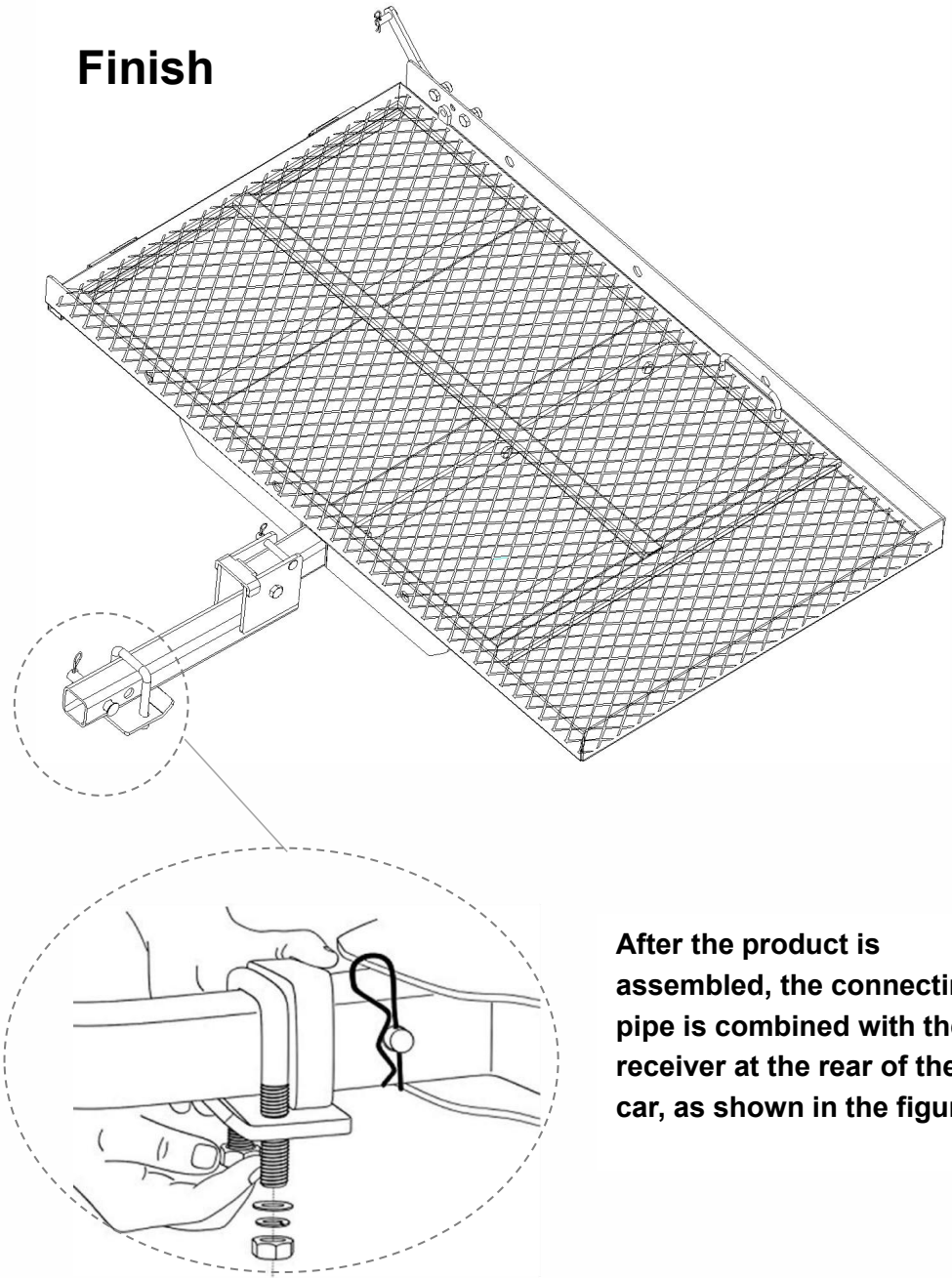
19



Step D

Install each part separately as
in Steps A, B, and C

Finish



After the product is assembled, the connecting pipe is combined with the receiver at the rear of the car, as shown in the figure.

Parts List

Part No.	Part name	Qty
1	Main box	1
2	Support tube	1
3	Bolt M10×70	3
4	Lock nut M10	5
5	Washer φ10	5
6	Hinge plate	1
7	Bolt M10×25	2
8	Rotary Bolt φ10×30	1
9	R-pin φ1.5	2
10	Connect the pipe	1
11	Rotary Bolt φ16×90	1
12	Stabilize the block	1
13	Bolt M12×80	1
14	Rotary Boltφ10×75	1
15	Lock nut M12	3
16	Washer φ12	3
17	U-Shaped Wire	1
18	R-pin φ2	1
19	Tensioner	2

Cleaning And Maintenance

- For cleaning, wipe the surface with a damp (not wet) cloth or wipe dry with a clean lint-free cotton cloth.
- Window cleaning liquid or a similar cleaning liquid can be used to clean the surface.
- Regularly inspect and tighten the relevant fasteners.

Imported to USA: Sanven Technology Ltd. Suite 250, 9166 Anaheim Place, Rancho Cucamonga, CA 91730

Made In China

VEVOR[®]

TOUGH TOOLS, HALF PRICE

Technical Support and E-Warranty Certificate

www.vevor.com/support