

# **VEVOR<sup>®</sup>**

## **TOUGH TOOLS, HALF PRICE**

Technical Support and E-Warranty Certificate [www.vevor.com/support](http://www.vevor.com/support)

# **OUTDOOR GRILL CART**

## **USER MANUAL**

We continue to be committed to provide you tools with competitive price.

"Save Half", "Half Price" or any other similar expressions used by us only represents an estimate of savings you might benefit from buying certain tools with us compared to the major top brands and does not necessarily mean to cover all categories of tools offered by us. You are kindly reminded to verify carefully when you are placing an order with us if you are actually saving half in comparison with the top major brands.

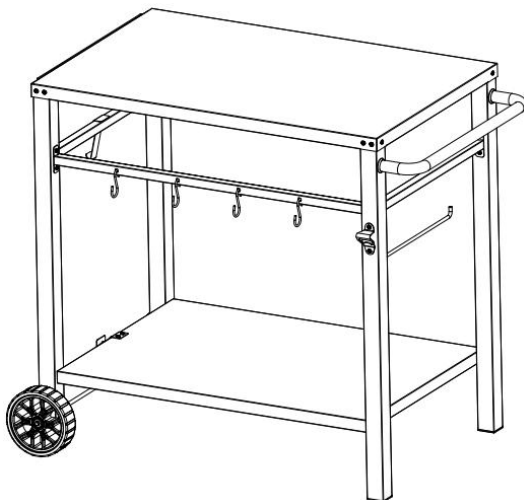


# VEVOR®

TOUGH TOOLS, HALF PRICE

## OUTDOOR GRILL CART

Model: TB0110001 & TB0110002



Note: the quantity of parts shown in the manual is the actual usage and the unused parts are spare parts.

### NEED HELP? CONTACT US!

Have product questions? Need technical support? Please feel free to contact us:

 [CustomerService@vevor.com](mailto:CustomerService@vevor.com)

This is the original instruction, please read all manual instructions carefully before operating. VEVOR reserves a clear interpretation of our user manual. The appearance of the product shall be subject to the product you received. Please forgive us that we won't inform you again if there are any technology or software updates on our product.



Warning-To reduce the risk of injury, user must read instructions manual carefully.

## IMPORTANT SAFEGUARDS

Thank you for using this product. In order to make sure that you can operate the machine correctly, read this instruction carefully before operation and keep it properly for future reference. Please be sure to read the precautions and safety rules on this page to ensure your safe use. This manual will outline safety warnings and precautions, operating, maintenance and cleaning. The warnings and instructions reviewed in this manual cannot cover all possible conditions and situations that may occur. Caution and common sense are not built into this product, since we believe that the uses will comply with these codes.

**Please read ALL the instructions before using your machine.**

1. **Do NOT** let children and minors get close to or touch the product.
2. **Do NOT** immerse the appliance in water or any other liquid.
3. Using accessories or attachments not provided or recommended by the manufacturer may cause injury.
4. Do not attempt to modify the machine in any way.
5. If the machine is not to be used for a long period of time, clean and fold it and store it in a dry and safe place.
6. **KEEP IT OUT OF CHILDREN'S REACH.**
7. Children shall not play with the machine alone. Cleaning and user maintenance shall not be made by children without supervision.
8. The machine must never be left unattended during operation or cleaning.
9. Make sure that the machine is always placed on a firm, level and fire retardant surface, and also placed far away from combustibles. **Improper placement can cause the product to tip over, slide, or cause items on the table to fall off !**

10. While every effort has been made in the manufacture of your machine to remove any sharp edge, you should handle all components with care in order to avoid accidental injury.

11. **DO NOT CLEAN IT WITH ANY ABRASIVE MATERIAL.**

12. The machine should only be repaired or serviced by an authorized Service Engineer and only genuine approved spare parts should be used.

13. This product cannot be used for other purposes.

14. Not suitable for commercial use.

15. Wear safety goggles and heavy-duty work gloves during assembly and using.

16. Do not assemble when tired or when under the influence of alcohol, drugs or medication.

**WARNING! Remove** all packaging materials and keep them for future use. Packaging materials are not a toy.

**WARNING!** Keep children and pets from playing with the packaging materials. If they swallow the packaging materials, they will suffocate!

**WARNING!** Keep children and pets away. Children must not operate or play near this machine.

**WARNING!** Failure to follow instructions could result in death, serious bodily injury and property loss.

**WARNING!** This product is not a toy. Do not allow children to play with or approach this item.

**WARNING!** Use as intended only. Do not sit or stand on the table.

**ATTENTION!** Inspect before every use. Do not use if parts are loose or damaged.

**ATTENTION!** Use only on flat, level, hard surfaces.

**ATTENTION!** The weight on the countertop must be evenly distributed, careful of tipping and weight falling!

## PRODUCT PARAMETERS

Model No.	Product Size	Material Quality
TB01100 01	39.37x25.2x32.87 inch (1000x640x835 mm)	Q235
TB01100 02	39.37x25.2x32.87 inch (1000x640x835 mm)	Table: SUS410 Handle: SUS201 Other: Q235

## LOADING CAPACITY

Model No.	Loading Capacity
TB0110001 & TB0110002	Fixed desktop ---Max 220Lbs (100kg) The hook---Max 11Lbs (5kg) / PCS

### ATTENTION!

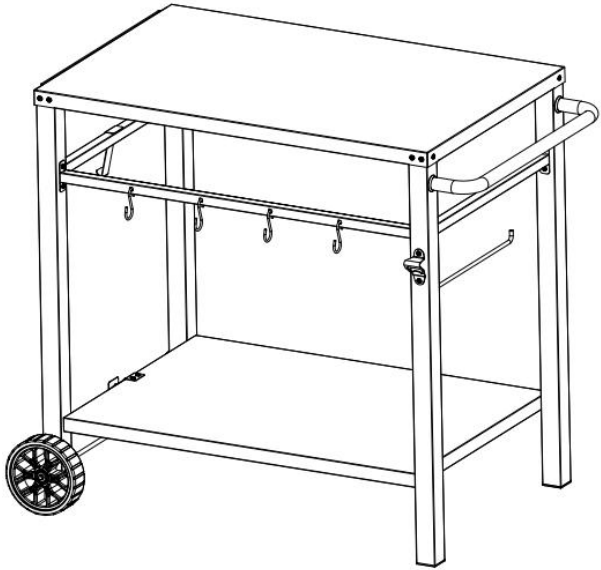
1. Do not exceed the listed weight capacity. Be aware of dynamic loading! The sudden load movement may briefly create an excess load, causing product failure.

**Max 220 LBS (100Kg)**



**ATTENTION!**















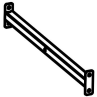



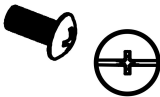



The weight on the countertop must be evenly distributed, careful of tipping and weight falling !



## PRODUCT COMPONENTS

1. Please dispose of all plastic bags carefully and keep them away from children.
2. Check all components provided according to the list in this manual. Make sure you have all of the parts listed.
3. Although paying particular attention when manufacturing this product, you must be careful during the assembly process to avoid being scratched by sharp edges.
4. Wear safety goggles and heavy-duty work gloves during assembly and using.

5. Before using the appliance for the first time, peel off any promotional materials and packaging materials, and check that the machine is clean and dust-free. If necessary, wipe them over with a damp cloth. Spread over with an absorbent kitchen towel and wipe off any excess oil.

No.	Diagram	Qty	No.	Diagram	Qty
1		1 PCS	9		1PCS
2		1PCS	10		2PCS
3		1(LF) PCS	11		1PCS
4		1(RF) PCS	12		1PCS
5		1(LB) PCS	13		1PCS
6		1(RB) PCS	14		1PCS
7		1PCS	15		1PCS
8		2PCS	16		1PCS
17		1PCS	18		4PCS
A		M5x12: 37PCS	D		1PCS
B		M6x50: 2PCS	D		M4x8: 2PCS

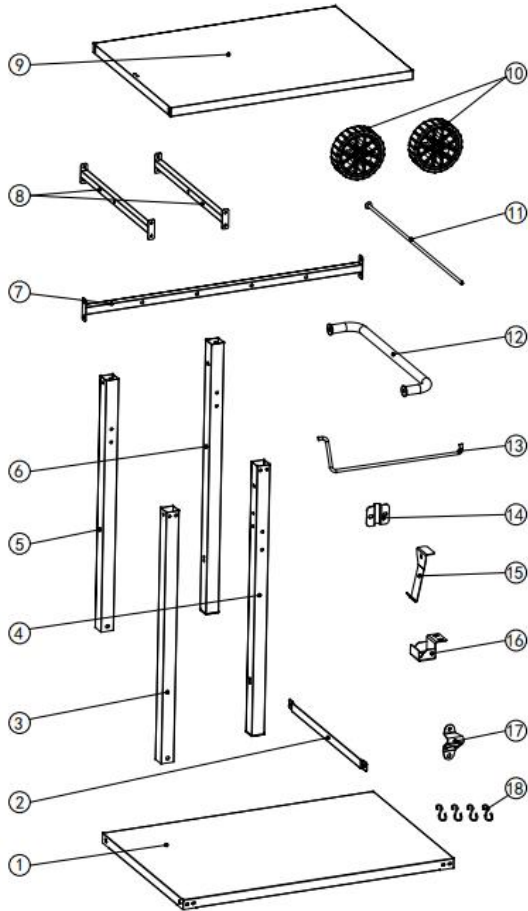


C



2PCS

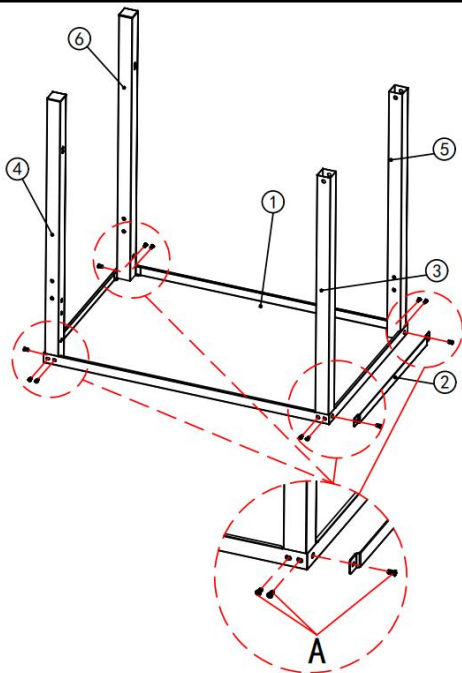
### Explosion Diagram



**NOTE:** Assembly requires the use of a wrench and a Phillips screwdriver, but requires self purchase.

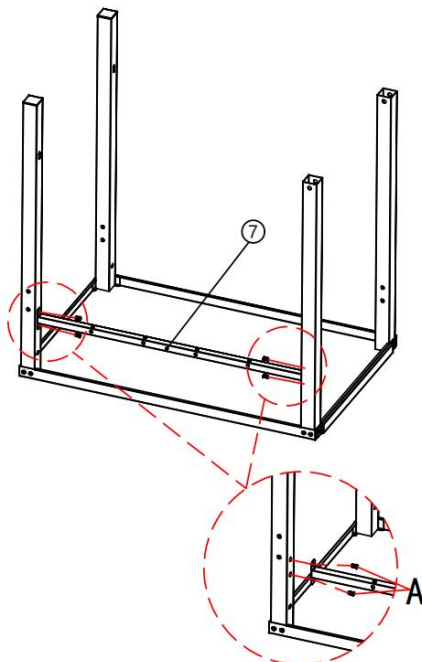


SETP 1



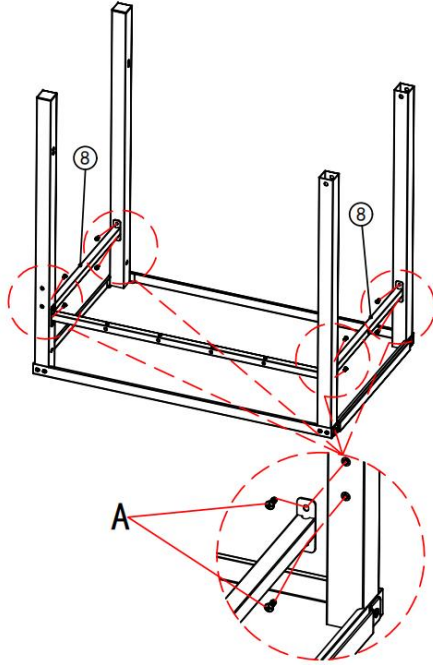
A: 12pcs

SETP 2



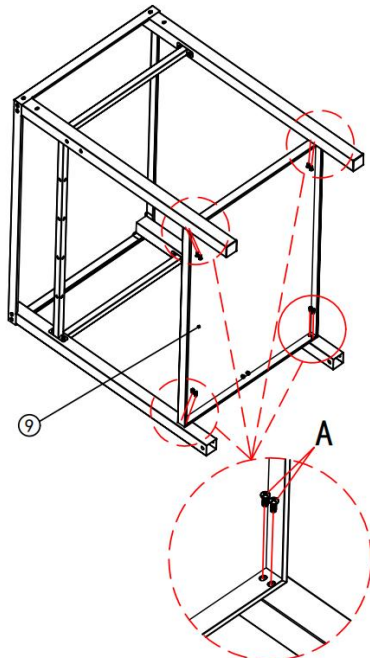
A: 4pcs

SETP 3



A: 8pcs

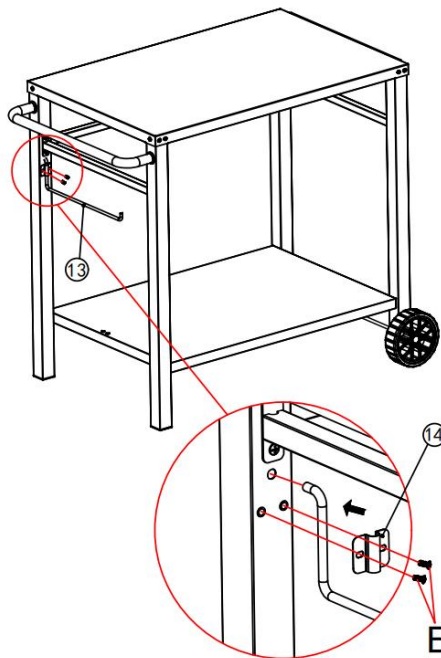
SETP 4



A: 8pcs

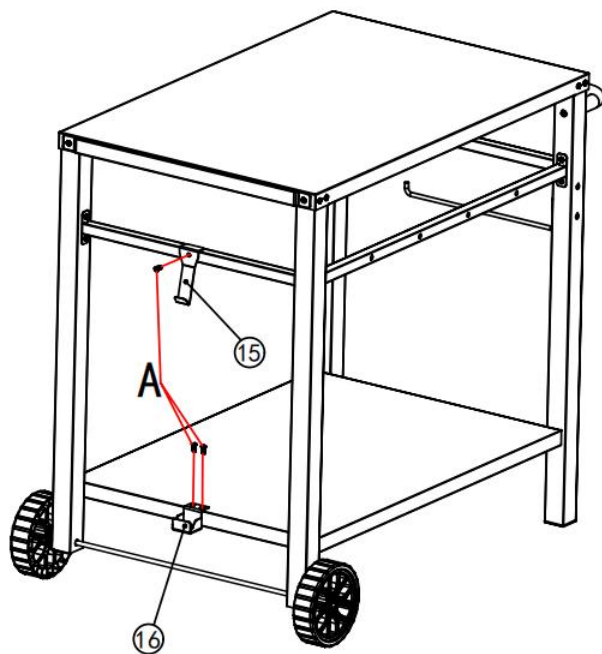


SETP 7



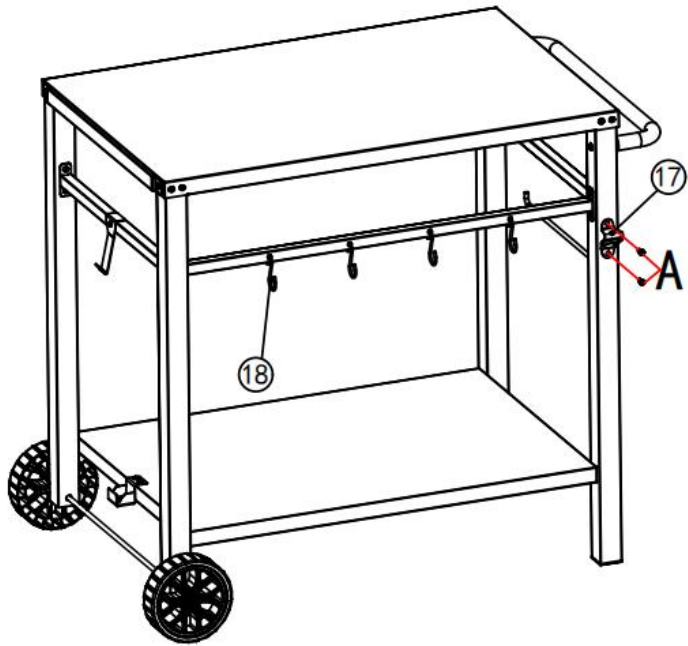
E: 2pcs

SETP 8



A: 3pcs

SETP 9



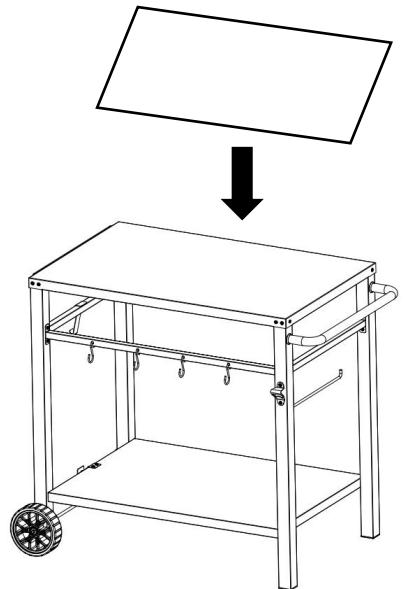
A: 2pcs

**SETP 10: PVC Table Mat  
only for TB0110001.**

**NOTE:**

1. Although PVC tablecloth have good high temperature resistance, it 's still necessary.
2. Due to packaging reasons, some tablecloth will have a little smell when they are received, which is a normal phenomenon, and the smell can be removed by blowing on the balcony or washing with detergent and drying in the sun.

PVC Table Mat



## CLEANING MAINTENANCE AND STORAGE

1. For cleaning, wipe the surface with a damp (not wet) cloth or wipe dry with a clean lint free cotton cloth.
2. Keep the product dry after cleaning
3. Put the cleaned products and accessories into the carton.

**Note: Only clean when the product is not working.**

**VEVOR<sup>®</sup>**

**TOUGH TOOLS, HALF PRICE**

**Support and E-Warranty Certificate**

**[www.vevor.com/support](http://www.vevor.com/support)**

**Made in China**