

# **VEVOR<sup>®</sup>**

**TOUGH TOOLS, HALF PRICE**

Technical Support and E-Warranty Certificate [www.vevor.com/support](http://www.vevor.com/support)

## **HEAT PRESS MACHINE**

We continue to be committed to provide you tools with competitive price.

"Save Half", "Half Price" or any other similar expressions used by us only represents an estimate of savings you might benefit from buying certain tools with us compared to the major top brands and does not necessarily mean to cover all categories of tools offered by us. You are kindly reminded to verify carefully when you are placing an order with us if you are actually saving half in comparison with the top major brands.

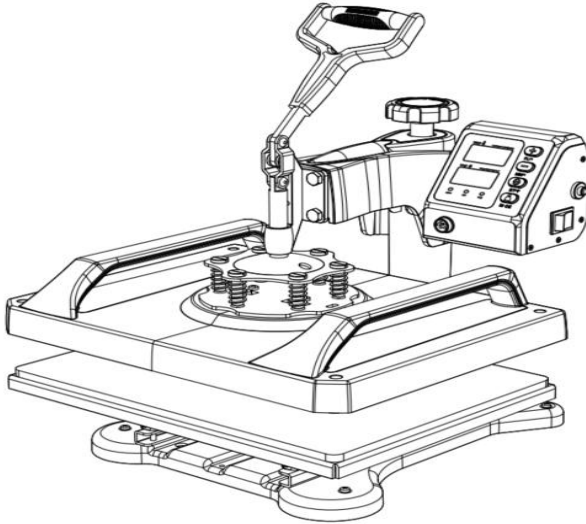


# VEVOR<sup>®</sup>

TOUGH TOOLS, HALF PRICE

## HEAT PRESS MACHINE

MODEL:TL1215/TL1515






### NEED HELP? CONTACT US!

Have product questions? Need technical support? Please feel free to contact us:

**Technical Support and E-Warranty Certificate**  
**[www.vevor.com/support](http://www.vevor.com/support)**

This is the original instruction, please read all manual instructions carefully before operating. VEVOR reserves a clear interpretation of our user manual. The appearance of the product shall be subject to the product you received. Please forgive us that we won't inform you again if there are any technology or software updates on our product.

Symbol	Symbol Description
	<p><b>Warning:</b> To reduce the risk of injury, the user must read the instructions manual carefully.</p>
	<p>This symbol, placed before a safety comment, indicates a kind of precaution, warning, or danger. Ignoring this warning may lead to an accident. To reduce the risk of injury, fire, or electrocution, please always follow the recommendations shown below.</p>
	<p><b>CORRECT DISPOSAL:</b></p> <p>This product is subject to the provision of European Directive 2012/ 19/EC. The symbol showing a wheeled bin crossed through indicates that the product requires separate refuse collection in the European Union. This applies to the product and all accessories marked with this symbol. Products marked as such may not be discarded with normal domestic waste, but must be taken to a collection point for recycling electrical and electronic devices.</p>

## WARNING

1. Warnings must be followed carefully to avoid body injury, improper use may result in electric shock, fire, personal injury and other damage:

- 1) Keep unplugged when moving the machine.
- 2) Keep unplugged when installing accessories.
- 3) Place on a flat and stable platform and operate under ventilated conditions.
- 4) Wear special protective equipment when operating the machine.
- 5) Do not use this machine in a hazardous location.
- 6) Do not use when the machine is not working properly.
- 7) Do not disassemble and repair this machine.
- 8) Do not use an unsuitable AC Outlet.
- 9) Do not touch the heating plate when the machine is heating.
- 10) Do not use in humid environment or contact with water. Do not infiltrate liquid in the machine to prevent fire or electric shock caused by short circuit.
- 11) Do not use the power supply that does not meet the rated voltage. The power

supply that does not meet the specified voltage may cause fire or electric shock.

12) Ensure that the machine is grounded so as not to cause harm to body.

13) Do not touch the rotating rod or bearing part with your fingers during use in case of injuries.

14) If the machine is not in use for a long time, please unplug the power cord from the socket.

15) Do not use the machine during thunderstorms or lightning to avoid damage to the machine.

16) Place the machine smoothly on the flame-retardant table and keep away from flammable and explosive items.

17) Please stop using it if the machine smokes, emits a peculiar smell, or becomes noisy and in other abnormal conditions.

18) This appliance can be used by children aged from 8 years and above and persons with reduced physical, sensory or mental capabilities or lack of experience and knowledge

if they have been given supervision or instruction concerning use of the appliance in a safe way and understand the hazards involved. Children shall not play with the appliance. Cleaning and user maintenance shall not be made by children without supervision

19) Type X attachment: If the supply cord is damaged, it must be replaced by a special cord or assembly available from the manufacturer or its service agent.

20) In order to avoid a hazard due to inadvertent resetting of the thermal cutout, this appliance must not be supplied through an external switching device, such as a timer, or connected to a circuit that is regularly switched on and off by the utility.



**Warning** Please turn off the power when plug or unplug the connector



## FCC INFORMATION

**CAUTION:** Changes or modifications not expressly approved by the party responsible for compliance could void the user's authority to operate the equipment!

This device complies with Part 15 of the FCC Rules. Operation is subject to the following two conditions:

- 1) This product may cause harmful interference.
- 2) This product must accept any interference received, including interference that may cause undesired operation.

**WARNING:** Changes or modifications to this product not expressly approved by the party responsible for compliance could void the user's authority to operate the product.

**Note:** This product has been tested and found to comply with the limits for a Class B digital device pursuant to Part 15 of the FCC Rules. These limits are designed to provide reasonable protection against harmful interference in a residential installation.

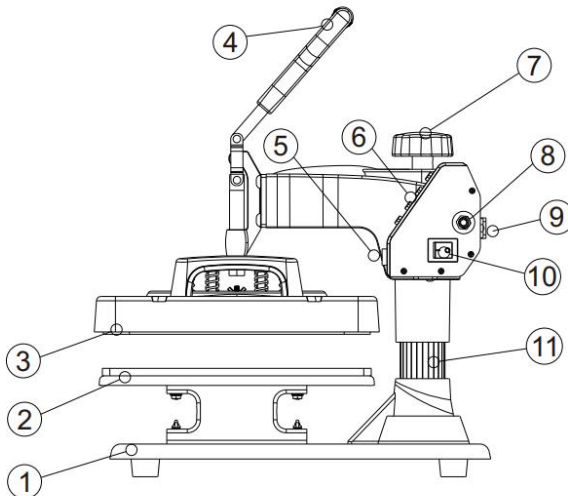
This product generates, uses and can radiate radio frequency energy, and if not installed and used in accordance with the instructions, may cause harmful interference to radio communications. However, there is no guarantee that interference will not occur in a particular installation. If this product does cause harmful interference to radio or television reception, which can be determined by turning the product off and on, the user is encouraged to try to correct the interference by one or more of the following measures.

- Reorient or relocate the receiving antenna.
- Increase the distance between the product and receiver.
- Connect the product to an outlet on a circuit different from that to which the receiver is connected.
- Consult the dealer or an experienced radio/TV technician for assistance.

## SPECIFICATION

<b>Model</b>	<b>TL1215</b>		<b>TL1515</b>	
<b>Heat Size</b>	<b>12x15inch (29x38cm)</b>		<b>15x15inch (38x38cm)</b>	
<b>Temperature Range</b>	<b>32-450°F(0-232℃)</b>		<b>32-450°F(0-232℃)</b>	
<b>Time Range</b>	<b>0-999 Seconds</b>		<b>0-999 Seconds</b>	
<b>Voltage</b>	<b>120V~ 60Hz</b>	<b>220-240V~ 50Hz</b>	<b>120V~ 60Hz</b>	<b>220-240V~ 50Hz</b>
<b>Power</b>	<b>900W</b>	<b>1250W</b>	<b>1200W</b>	<b>1250W</b>

## OVERVIEW OF YOUR HEAT PRESS



Number	Part name	Number	Part name
1	Pedestal	7	Lift knob
2	Placement	8	Overload protector
3	Heating plate	9	Power socket
4	Handle	10	Power switch
5	Aviation connector	11	Column
6	Button	12	

- The Pressure Adjustment Knob controls the amount of force that will be used to push the transferred image into the fibers of the garment. Clockwise increases pressure. Counterclockwise decreases it.

- The Control Panel on the right upper face of the casing is where you will set heat and times requirements of your project. These will vary depending on the vinyl or transfer paper used.

- The handle opens & closes the top & bottom Heated Platens of the revolve press.



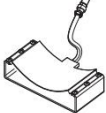


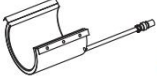
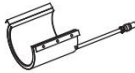
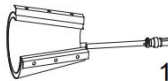
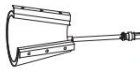


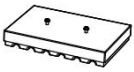
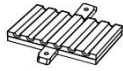
- The overload protector is a breaker. It will pop out when there is an overload of electricity.


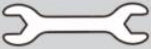
Press it in to reset.

- The Power switch must be set to the on position and the Cord must be plugged in before pressing.



## SPARE PART

 <b>A</b>	 <b>B</b>	 <b>C</b>
 <b>D</b>	 <b>E</b>	 <b>F</b>
 <b>G</b>	 <b>H</b>	 <b>I</b>
 <b>J</b>	 <b>K</b>	 <b>L</b>
 <b>M</b>		

 1PC A Phillips screwdriver can be turned into a slotted screwdriver by rotating it 180 degrees	 1PC
---	---

	A	B	C	D	E	F	G	H	I	J	K	L	M
2 in 1			✓	✓									
5 in 1	✓	✓	✓	✓	✓	✓							
6 in 1①	✓	✓	✓	✓	✓	✓	✓						
6 in 1②	✓	✓	✓	✓	✓	✓					✓		
8 in 1	✓	✓	✓	✓	✓	✓	✓	✓	✓				
10 in 1	✓	✓	✓	✓	✓	✓	✓	✓	✓	✓		✓	✓
11 in 1	✓	✓	✓	✓	✓	✓	✓	✓	✓	✓	✓	✓	✓

## HOW TO CALIBRATE YOUR NEW HEAT PRESS

1. Turn the pressure knob counterclockwise a few times to lower pressure on the platens.
2. Place a piece of paper onto bottom of the platen.
3. Close the revolve press using the handle.
4. Pull on the paper.
5. If the paper moves at all, turn the knob clockwise and try again.
6. Try again and repeat until the paper doesn't move at all. This is your "Medium" pressure.

From the "Medium" setting, high pressure will be clockwise one to two turns. Low pressure will be counterclockwise one to two turns. (The number of turns will depend on the thickness of the garment.)


## SETTING TEMPERATURE & TIME



### 1. How to turn on/off and how to start?

Press the switch button on the side of the temperature control box to turn it on. Countdown start button, press once to start the countdown; press again to reset.

### 2. How to set the temperature/time?

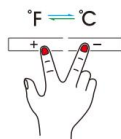
Press  once to set the temperature, press twice to set the time and press again to exit. (It will automatically exit the temperature/time setup state in case of no operation within 5sec.).

### 3. How to set the temperature/time to increase or decrease?

- + Set the time/temperature increase
- Set the time/temperature decrease

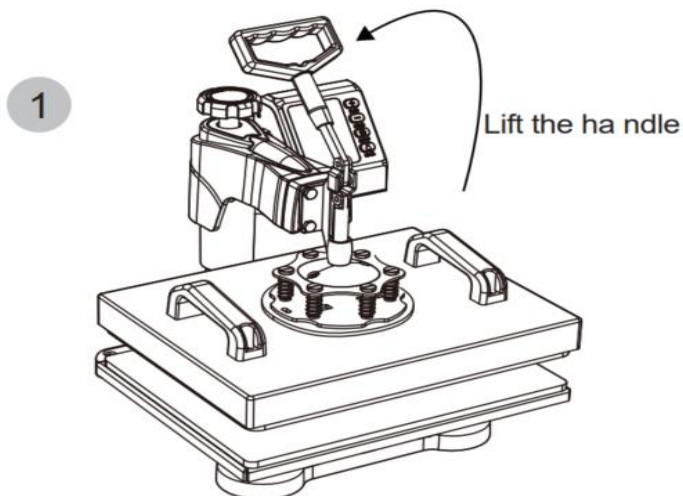
### 4. How to change the temperature unit from °C to °F?

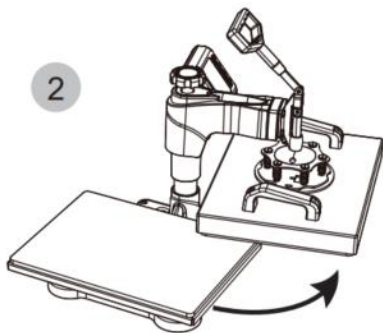
In the power-on state, press "+" and "-" at the same time to change the temperature unit between °C and °F.



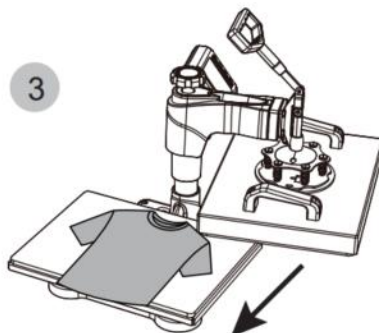
5. Tips: The max. set temperature of this machine is 232°C and the longest time is 999sec.

## ASSEMBLY & USE STEPS





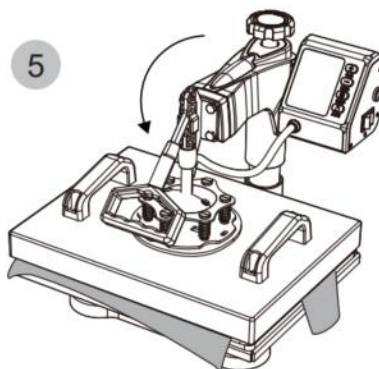
Rotate the heating platen to one side



Pull out the lower panel, place the clothes flat on the platen, and place the pattern on the clothes.



Rotate this switch to adjust pressure



## INTELLIGENT TEMPERATURE CONTROLLER OPERATION METHOD

### 1.Preparation before Using:

1.1 Check the connection between power plug and electrical socket of electrical cabinet.

Be sure to operate with safe ground wire!!!

1.2 Heat press element must be securely plugged into the machine before you switch the machine on. Plug your electrical cord into the machine. Plug electrical socket into wall plug. Turn the on/off Switch on.

## 2.Set temperature required:

Set the temperature and time according to the table below and get the specific corresponding temperature and timing setting. (Temperature is measured in Degrees Fahrenheit.)

Press object	Initial Temperature	Highest Temperature	Proper Heating Time(S)
Mugs	230	330	40
Tiles	230	330	40
Metal board	230	330	40
Plate	230	355	150
T-shirt	230	355	Sublimation paper :30-50s
			T-shirt Paper:10-20s

Initial Temperature Setting (Range :200-450°F)

Press the “MODE” button ONCE, see the “set light” turning red. Then press the “plus/minus key” to set the initial heating temperature.

B. Highest Temperature Setting (Range:93-232°C)

Press the “MODE” button for THE SECOND TIME; see the “temperature light” turning red. Then press the “plus or minus key” to set the highest heating temperature.

C. Proper Heating Time Setting (Range :0-999 sec.)

Press the “MODE” button for THE THIRD TIME; see the “time light” turning red. Then press the “plus or minus key” to set the proper heating time.

D. Fahrenheit to Celsius

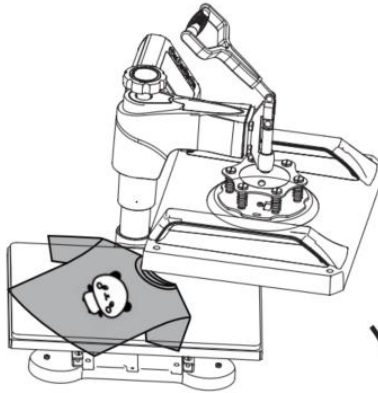
After turning on the hot stamping machine, press the + and - buttons simultaneously for about five seconds. When PAE is displayed, press the MODE key to display (F-C), and change F to C in the time display gear, so that Fahrenheit is converted to Celsius.

## 3.Finish the Setting and Stands by to Work

Press the “MODE” button for THE FOURTH TIME; finish the setting, The set light is on, and the temperature will continue to rise. When the set maximum temperature is reached, the countdown starts. After the countdown ends, the

“BEEF” sound will be emitted, the indicator light will off ,and operation is complete, and the machine stands by to work.

1  
Printed pattern



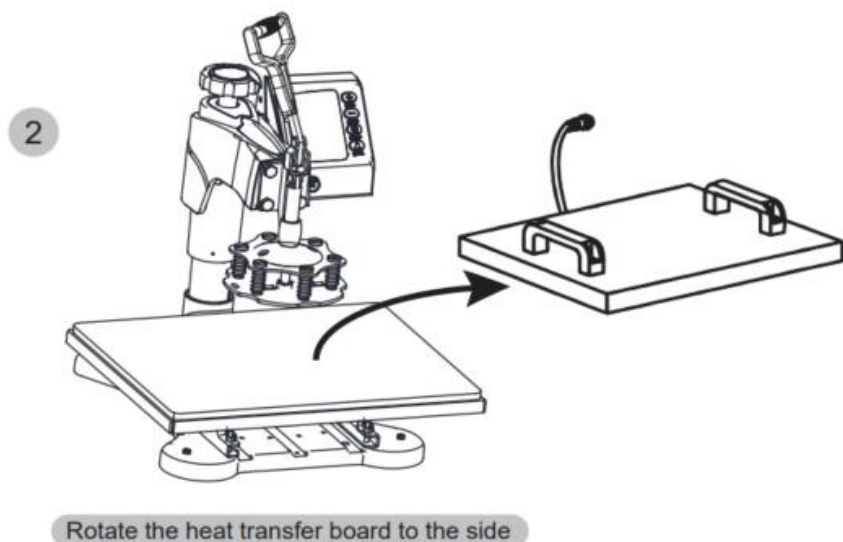
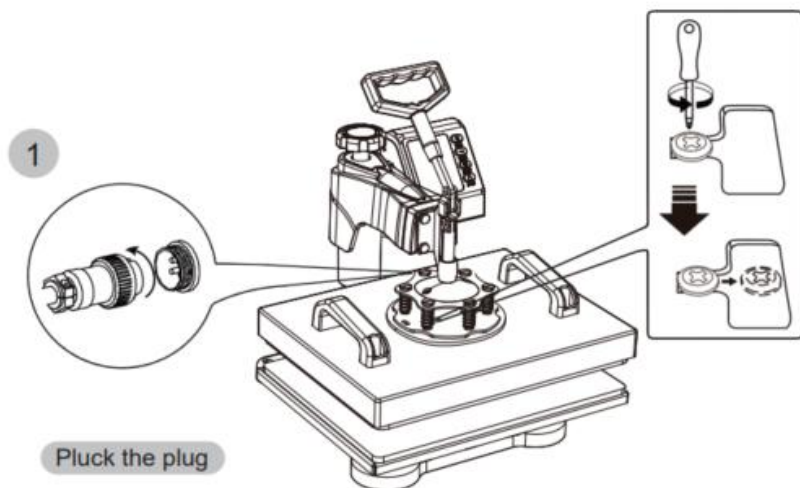
2  
Printed clothes



Turn off the power and pull out the mat. It is recommended to wear heat-resistant gloves when removing clothes or remove them after 2-3 minutes. Be careful of hot heat.

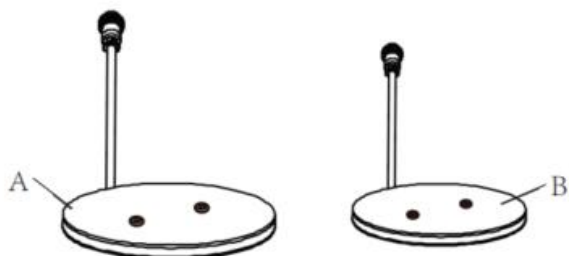
## REPLACE BAKING TRAY MAT

Use a Phillips screwdriver to unscrew the screws in the two holes on the pressure plate to replace the accessories.



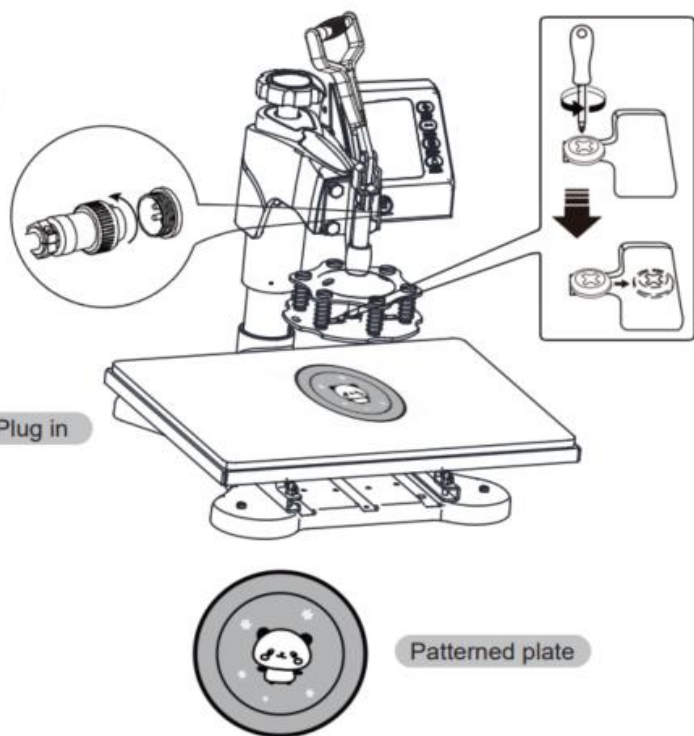
## REPLACE WITH A PLATE PRESS

3



Select the appropriate size daking pan mat (Part A or B)

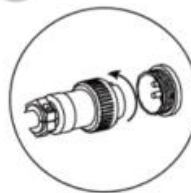
4



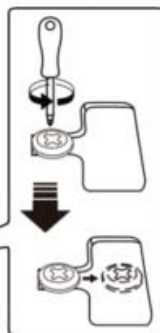


## REPLACE BACKING CAP MAT

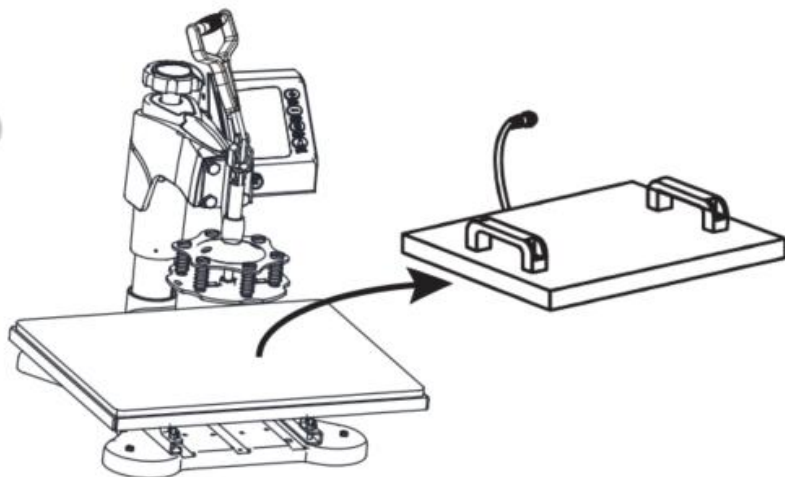
1



Pluck the plug



2

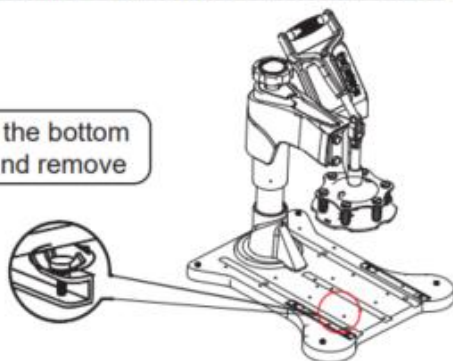


Rotate the heat transfer board to the side

3

Unscrew the four butterfly screws at bottom

Loosen the bottom screw and remove



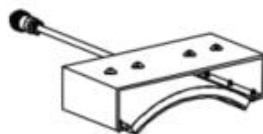
Lift the cushion up

4

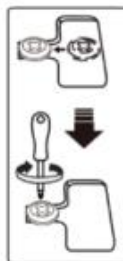


Install the backing pad (part 4)

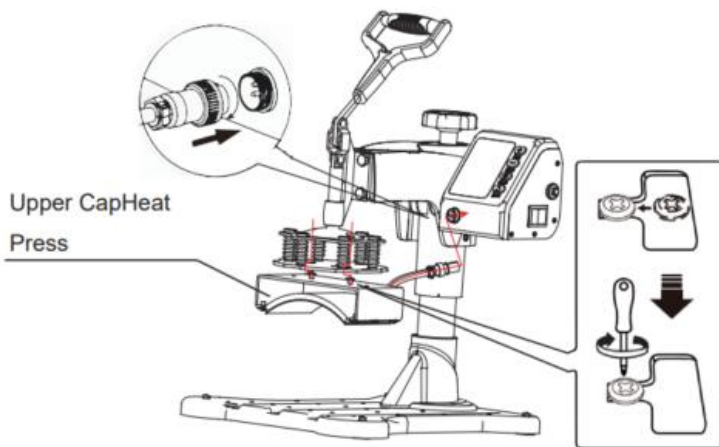
5



6



Use the screwdriver 4 to tighten the 2 screws just removed and put the cap on



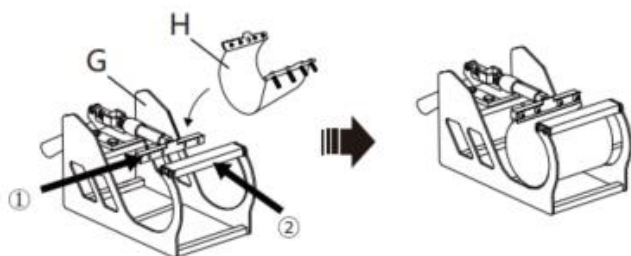
1. Take 2 cup head screws and lock them into the hole in the middle of the cap press. Do not lock the cup head screws, leave 5-7mm, then clip the cup head screw into the slot along the indicated route and lock it with a screwdriver. Insert the male head of the cap press plug into the female head of the controller and tighten nut.



Shaped hat

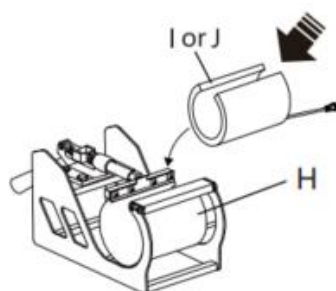
## REPLACE BACKING COASTER

1

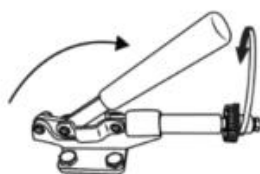


Install H to Part G.  
(Tighten the screws on both sides.  
We suggest to tighten the screws on the ① side first, and then tighten the screws on the ② side)

Select the appropriate size backing coaster (Part I or J) Put the cup in Part H.



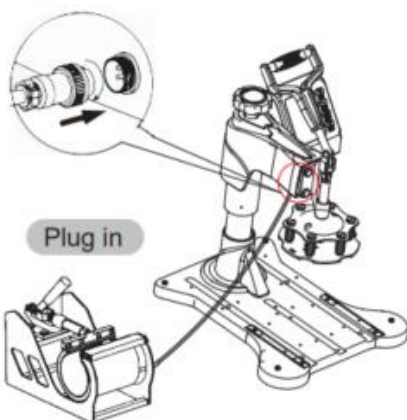
2



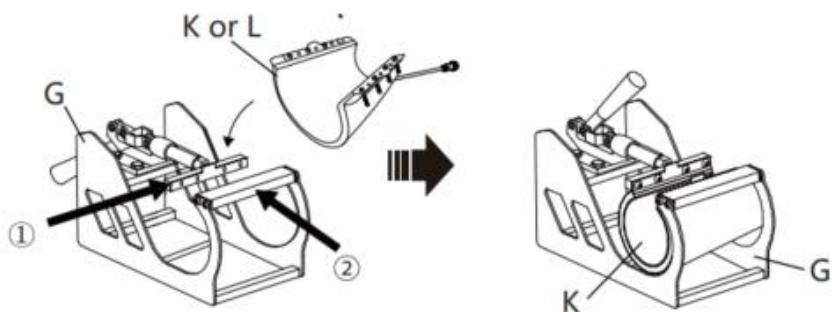
Adjust the tightness



Shaped cup



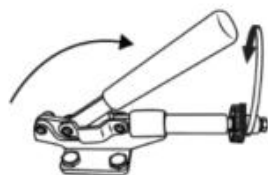
1



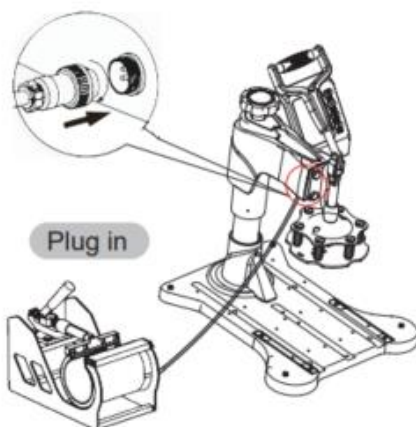
And install K or L to Part G.  
(Tighten the screws on both  
sides. We suggest to tighten  
the screws on the ① side  
first, and then tighten the  
screws on the ② side)

Put the cup in Part G

2



Adjust the tightness



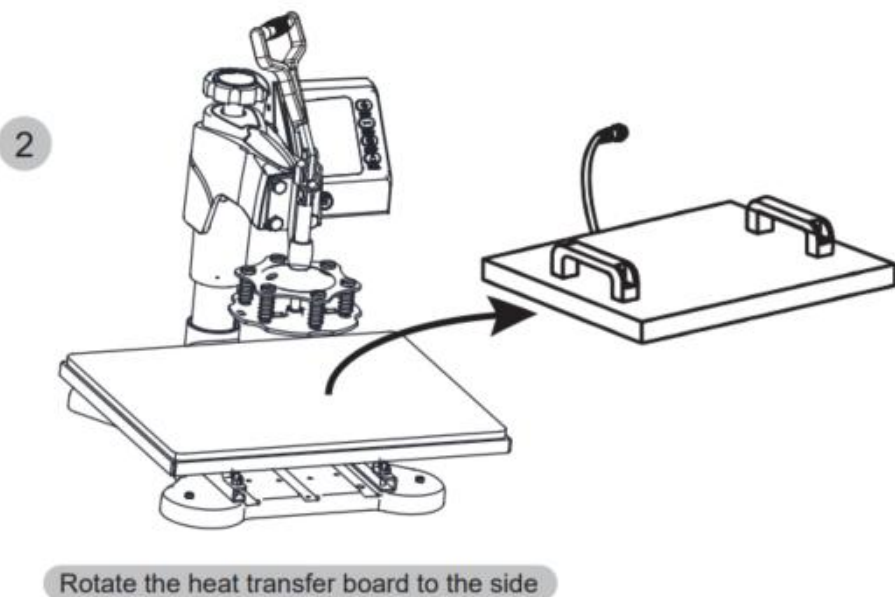
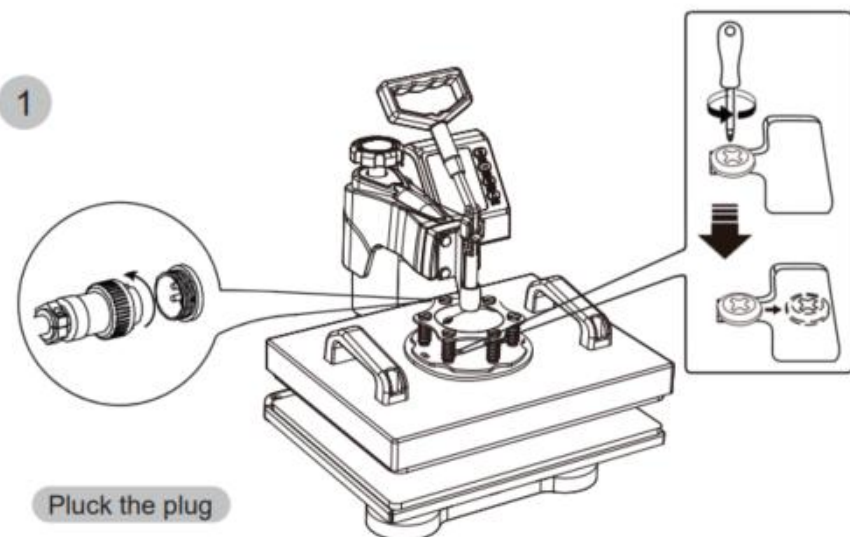
Plug in



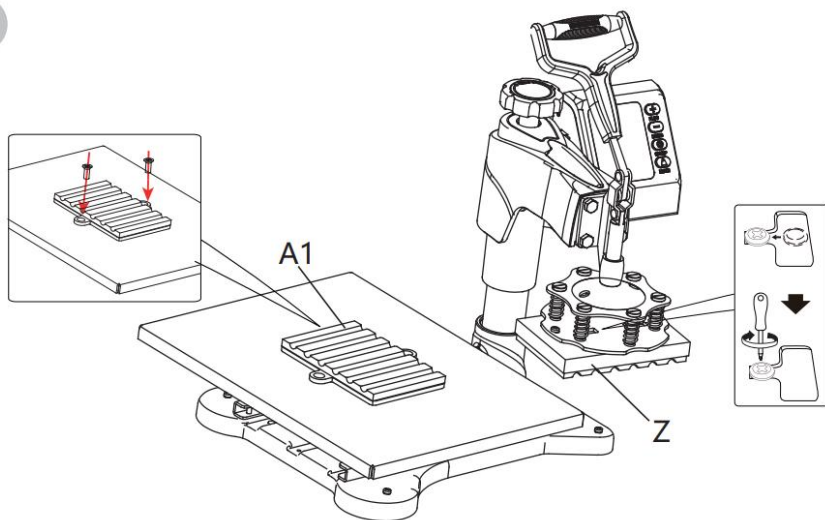
Shaped cup

## REPLACE BAKING PEN

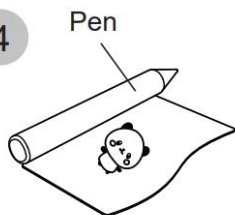
Use a Phillips screwdriver to unscrew the screws in the two holes on the pressure plate to replace the accessories.



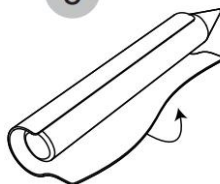
3



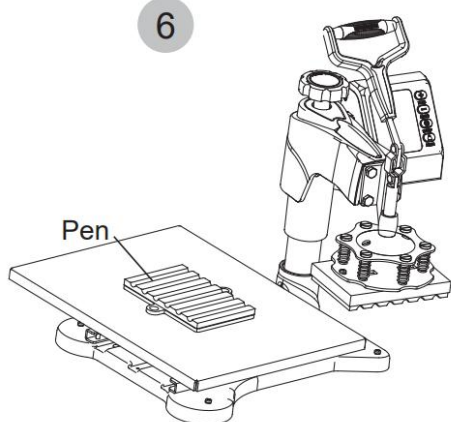
4



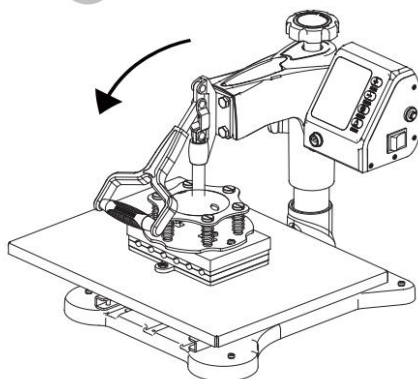
5



6

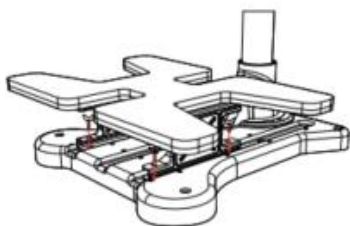


7



## REPLACE BAKING SHOES

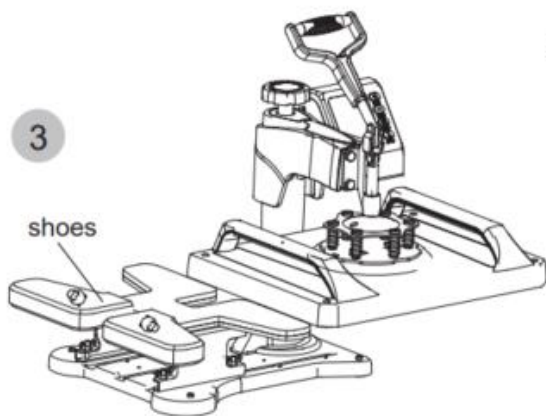
1



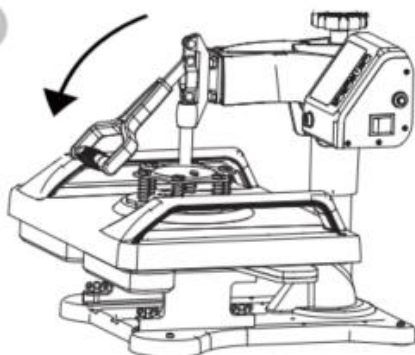
2



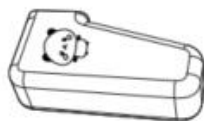
3



4



5





## TREATMENT OF QUALITY DEFECTS IN TRANSFER

1. Light Color or Faded Image: Insufficient Temperature / Incorrect Pressure / Insufficient Time.
2. Fuzzy Image: Pressing time is too long.
3. Part of the Pattern Blurred: The heat is not being distributed correctly through the heating plate, so the working time can be increased appropriately. It may also be the cause of uneven pressure distribution, which can be set on four board regulators. Please note that the four board regulators have been set up before they leave the factory and should not need to be adjusted normally.
4. Dim Pattern: Too much pressure or temperature.
5. Scarred Pattern: Transfer time is too long.
6. Different Pattern Colors: incorrect pressure or poor quality of transfer paper.
7. Scorched Pattern: High temperature or poor ink.

**Manufacturer:**Shanghaimuxinmuyeyouxiangongsi

**Address:** Shuangchenglu 803nong11hao1602A-1609shi, baoshanqu, shanghai 200000 CN.

**Imported to AUS:** SIHAO PTY LTD. 1 ROKEVA STREETEASTWOOD NSW 2122 Australia

**Imported to USA:** Sanven Technology Ltd. Suite 250, 9166 Anaheim Place, Rancho Cucamonga, CA 91730



E-CrossStu GmbH

Mainzer Landstr.69, 60329 Frankfurt am Main.



YH CONSULTING LIMITED.

C/O YH Consulting Limited Office 147, Centurion House, London Road, Staines-upon-Thames, Surrey, TW18 4AX





**VEVOR**<sup>®</sup>

**TOUGH TOOLS, HALF PRICE**

**Technical Support and E-Warranty Certificate**

**[www.vevor.com/support](http://www.vevor.com/support)**

# VEVOR®

## TOUGH TOOLS, HALF PRICE

Wsparcie techniczne i certyfikat gwarancji elektronicznej [www.vevor.com/support](http://www.vevor.com/support)

### MASZYNA DO PRASY TERMICZNEJ

Nadal staramy się oferować Państwu narzędzia w konkurencyjnych cenach.

„Oszczędź połowę”, „Połowa ceny” lub inne podobne wyrażenia używane przez nas stanowią jedynie szacunkowe oszczędności, jakie możesz uzyskać, kupując u nas określone narzędzia w porównaniu z głównymi markami i niekoniecznie oznaczają one obniżenie cen wszystkich kategorii narzędzi oferowanych przez nas. Uprzejmie przypominamy, aby dokładnie sprawdzić, czy składając u nas zamówienie faktycznie oszczędzasz połowę w porównaniu z głównymi markami.

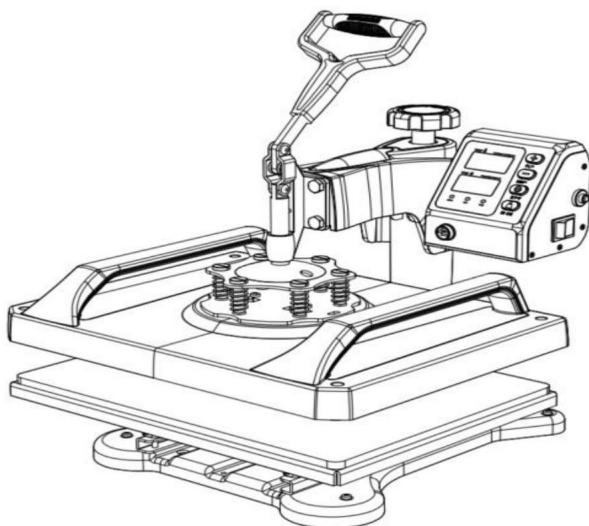


# VEVOR<sup>®</sup>

TOUGH TOOLS, HALF PRICE

MASZYNA DO PRASY TERMICZNEJ

MODEL:TL1215/TL1515






POTRZEBUJESZ POMOCY? SKONTAKTUJ SIĘ Z NAMI!

Masz pytania dotyczące produktu? Potrzebujesz wsparcia technicznego? Skontaktuj się z nami:

Wsparcie techniczne i certyfikat gwarancji  
elektronicznej [www.vevor.com/support](http://www.vevor.com/support)

To jest oryginalna instrukcja, przed użyciem należy uważnie przeczytać wszystkie instrukcje. VEVOR zastrzega sobie jasną interpretację naszej instrukcji obsługi. Wygląd produktu będzie zależał od produktu, który otrzymałeś. Prosimy o wybaczenie, że nie poinformujemy Cię ponownie, jeśli w naszym produkcie pojawią się jakiegokolwiek aktualizacje technologiczne lub oprogramowania.

Symbol	Opis symbolu
	<p>Ostrzeżenie: Aby zmniejszyć ryzyko obrażeń, użytkownik musi zapoznać się z treścią niniejszej instrukcji.</p> <p>Przeczytaj uważnie instrukcję obsługi.</p>
	<p>Ten symbol, umieszczony przed komentarzem dotyczącym bezpieczeństwa, oznacza rodzaj środka ostrożności, ostrzeżenie lub niebezpieczeństwo. Zignorowanie tego ostrzeżenia może prowadzić do wypadku. Aby zmniejszyć ryzyko obrażeń, pożaru lub porażenia prądem, zawsze postępuj zgodnie z zaleceniami podanymi poniżej.</p>
	<p><b>PRAWIDŁOWA UTYLIZACJA:</b></p> <p>Niniejszy produkt podlega postanowieniom Dyrektywy Europejskiej 2012/19/WE. Symbol przedstawiający przekreślony kosz na śmieci przez wskazuje, że produkt wymaga oddzielnego składowania zbiórka w Unii Europejskiej. Dotyczy to produktu i wszystkie akcesoria oznaczone tym symbolem. Produkty oznaczone jako takich nie wolno wyrzucać razem ze zwykłymi odpadami domowymi, ale należy oddać do punktu zbiórki odpadów elektrycznych i elektronicznych przeznaczonych do recyklingu urządzenia elektroniczne.</p>

## OSTRZEŻENIE

1. Należy uważnie przestrzegać ostrzeżeń, aby uniknąć obrażeń ciała, niewłaściwe użycie może spowodować porażenie prądem, pożar, obrażenia ciała i inne szkody:
  - 1) Odłączaj maszynę od zasilania podczas przenoszenia.
  - 2) Odłączaj urządzenie od zasilania podczas montażu akcesoriów.
  - 3) Umieścić na płaskiej i stabilnej platformie i obsługiwać w wentylowanych warunkach.
  - 4) Podczas obsługi maszyny należy nosić specjalny sprzęt ochronny.
  - 5) Nie używaj tego urządzenia w miejscach niebezpiecznych.
  - 6) Nie używać urządzenia, jeśli nie działa ono prawidłowo.
  - 7) Nie rozbieraj i nie naprawiaj tego urządzenia.
  - 8) Nie używaj nieodpowiedniego gniazdka sieciowego.
  - 9) Nie dotykaj płyty grzewczej, gdy urządzenie się nagrzewa.
  - 10) Nie stosować w środowisku wilgotnym lub w kontakcie z wodą. Nie wnikać płynu w urządzeniu, aby zapobiec pożarowi lub porażeniu prądem elektrycznym na skutek zwarcia.
  - 11) Nie należy używać zasilacza, który nie spełnia wymagań napięcia znamionowego.



zasilanie, które nie spełnia określonego napięcia, może spowodować pożar lub porażenie prądem zaszokować.

12) Upewnij się, że maszyna jest uziemiona, aby nie spowodować obrażeń ciała.

13) Podczas użytkowania nie dotykaj palcami obracającego się pręta ani łożyska.

w przypadku obrażeń.

14) Jeżeli urządzenie nie będzie używane przez dłuższy czas, należy odłączyć przewód zasilający z gniazdka.

15) Nie używaj urządzenia podczas burzy lub wyładowań atmosferycznych, aby uniknąć uszkodzeń do maszyny.

16) Umieścić maszynę równomiernie na stole ognioodpornym i trzymać z dala z materiałów łatwopalnych i wybuchowych.

17) Prosimy o zaprzestanie korzystania z urządzenia, jeśli: - dym, wydziela dziwny zapach, - , Lub pracuje głośno lub występuje inny nienormalny stan.

18) Z urządzenia mogą korzystać dzieci w wieku od 8 lat i starsze.

osoby o ograniczonej sprawności fizycznej, sensorycznej lub umysłowej lub o braku doświadczenia i wiedzy

jeśli zapewniono im nadzór lub instruktaż dotyczący korzystania z urządzenia

urządzenia w bezpieczny sposób i zrozumieć związane z tym zagrożenia. Dzieci nie powinny

bawić się urządzeniem. Czyszczenie i konserwacja urządzenia nie powinny być wykonywane przez użytkownika.

dzieci bez opieki

19) Nakładka typu X: Jeżeli przewód zasilający jest uszkodzony, należy go wymienić na nakładkę specjalny przewód lub zestaw dostępny u producenta lub jego przedstawiciela serwisowego.

20) Aby uniknąć zagrożenia wynikającego z przypadkowego zresetowania wyłącznika termicznego, tego urządzenia nie wolno zasilac za pomocą zewnętrznego urządzenia przełączającego, takiego jak jako timer lub podłączony do obwodu, który jest regularnie włączany i wyłączany przez użytkownika.



**Warning**

Proszę wyłączyć zasilanie przed podłączeniem lub odłączeniem złącza.



## INFORMACJE FCC

UWAGA: Zmiany lub modyfikacje, na które strona nie wyraziła wyraźnej zgody odpowiedzialny za zgodność może unieważnić prawo użytkownika do korzystania z urządzenia sprzęt!

To urządzenie jest zgodne z częścią 15 przepisów FCC. Eksploatacja podlega następującym dwóm warunkom:

- 1) Produkt ten może powodować szkodliwe zakłócenia.
- 2) Produkt ten musi akceptować wszelkie odbierane zakłócenia, w tym: zakłócenia mogące powodować niepożądane działanie.

OSTRZEŻENIE: Zmiany lub modyfikacje tego produktu nie są wyraźnie zabronione. zatwierdzona przez stronę odpowiedzialną za zgodność może unieważnić licencję użytkownika upoważnienie do obsługi produktu.

Uwaga: Ten produkt został przetestowany i uznany za zgodny z ograniczeniami dla urządzenia cyfrowego klasy B zgodnie z częścią 15 przepisów FCC. Te limity mają na celu zapewnienie rozsądnej ochrony przed szkodliwymi zakłócenia w instalacji domowej.

Ten produkt generuje, wykorzystuje i może emitować energię o częstotliwości radiowej, jeśli nie zostanie zainstalowany i użyty zgodnie z instrukcją, może spowodować szkodliwe zakłócenia w komunikacji radiowej. Nie ma jednak gwarancje, że w konkretnej instalacji nie wystąpią żadne zakłócenia. Jeśli to produkt powoduje szkodliwe zakłócenia w odbiorze sygnału radiowego lub telewizyjnego odbiór, który można ustalić poprzez wyłączenie i włączenie produktu,

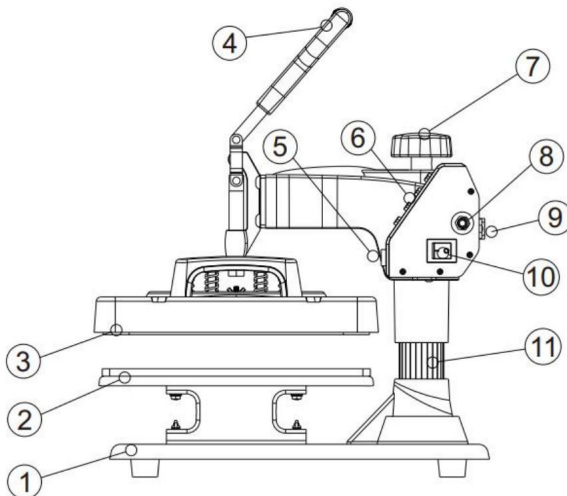
Użytkownik jest zachęcany do podjęcia próby skorygowania zakłóceń za pomocą jednego lub więcej z następujących sposobów: następujące środki.

- Zmiana orientacji lub położenia anteny odbiorczej.
- Zwiększ odległość między produktem a odbiornikiem.
- Podłączyć produkt do gniazdka w innym obwodzie niż ten, do którego jest podłączony. Odbiornik jest podłączony.
- Aby uzyskać pomoc, należy zwrócić się do sprzedawcy lub doświadczonego technika radio-telewizyjnego.

## SPECYFIKACJA

Model	TL1215		TL1515	
Rozmiar ciepła	12x15 cali (29x38cm)		15x15 cali (38x38cm)	
Temperatura Zakres	32-450°F (0-232°C)		32-450°F (0-232°C)	
Zakres czasu	0-999 sekund		0-999 sekund	
Woltaż	120 V~ 60 Hz	220-240 V~ 50Hz	120 V~ 60 Hz	220-240 V~ 50Hz
Moc	900 W	1250 W	1200 W	1250 W

## PRZEGLĄD TWOJEJ PRASY TERMICZNEJ



Numer	Nazwa części	Numer	Nazwa części
1	Piedestał	7	Gałka podnosząca
2	Umieszczenie	8	Zabezpieczenie przed przeciążeniem
3	Płyta grzewcza	9	Gniazdo zasilania
4	Uchwyt	10	Wyłącznik zasilania
5	Łącznik lotniczy	11	Kolumna
6	Przycisk	12	

· Pokręć tło regulacji ciśnienia kontroluje się , jaka bę dzie użyta do

wciśnij przeniesiony obraz do włókien odzieży. Zwią ksza się zgodnie z ruchem wskazówek zegara

ciśnienie. Obrót w kierunku przeciwnym do ruchu wskazówek zegara zmniejsza je.

· Panel sterowania znajdujący się na prawej górnej ścianie obudowy to miejsce, w którym można ustawić temperaturę

i wymagania czasowe Twojego projektu. Bę dą się one różnić w zależności od winylu lub użyty papier transferowy.

· Uchwyt otwiera i zamyka górną i dolną płytę grzewczą prasy obrotowej.

· Zabezpieczenie przed przeciążeniem to wyłącznik. Wskoczy, gdy nastąpi przeciążenie



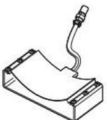

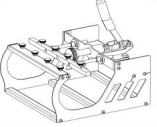
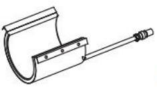
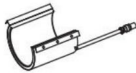
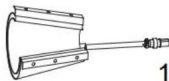
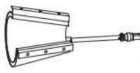


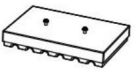
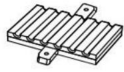
elektryczność.

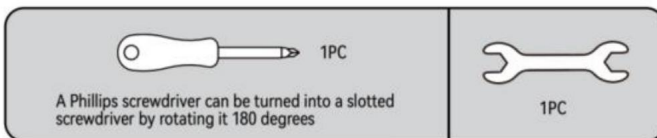
Naciśnij, aby zresetować.

· Wyłącznik zasilania musi być ustawiony w pozycji włączonej, a przewód musi być podłączony

przed naciśnięciem.

## CZĘŚCZAMIENNA

 <p>A 1PC</p>	 <p>B 1PC</p>	 <p>C 1PC</p>
 <p>D 1PC</p>	 <p>E 1PC</p>	 <p>F 1PC</p>
 <p>G 1PC</p>	 <p>H 1PC</p>	 <p>I 1PC</p>
 <p>J 1PC</p>	 <p>K 1PC</p>	 <p>L 1PC</p>
 <p>M 1PC</p>		



	A	B	C	D	mi	F	G	H	i	J	K	L	M
2 w 1													
5 w 1													
6 w 1													
6 w 1													
8 w 1													
10 w 1													
11 w 1													

## JAK SKALIBROWAĆ NOWĄ PRASA TERMICZNA

1. Obróć pokrę tło ciśnienia przeciwnie do ruchu wskazówek zegara kilka razy, aby obniżyć ciśnienie w płyty.
2. Połóż kartkę papieru na spodzie płyty.
3. Zamknij prasę obrotową za pomocą uchwytu.
4. Pociągnij za papier.
5. Jeżeli papier w ogóle się porusza, obróć pokrę tło zgodnie z ruchem wskazówek zegara i spróbuj ponownie.
6. Spróbuj ponownie i powtórz, aż papier w ogóle się nie poruszy. To jest twoje „Medium” ciśnienie.

Od ustawienia „Średnie” wysokie ciśnienie bę dzie się zmieniać zgodnie z ruchem wskazówek zegara o jeden do dwóch obrotów. Niskie ciśnienie bę dzie przeciwnie do ruchu wskazówek zegara o jeden do dwóch obrotów. (Liczba obrotów bę dzie zależą od grubości odzieży.

## USTAWIANIE TEMPERATURY I CZASU

- PLUS
- + MINUS
- ⚙️ SETUP
- 👉 START



1. Jak włączyć/wyłączyć i uruchomić?

Aby włączyć regulator temperatury, naciśnij przycisk znajdujący się z boku urządzenia.

Przycisk rozpocznie cię odliczania. Naciśnij raz, aby rozpocząć odliczanie; naciśnij ponownie, aby zresetować.

2. Jak ustawić temperaturę i czas?

Naciśnij raz, aby ustawić temperaturę, naciśnij dwa razy, aby ustawić czas i naciśnij ponownie

aby wyjść. (W przypadku braku ustawień temperatury i czasu nastąpi automatyczne wyjście ze stanu ustawiania temperatury i czasu) (działanie w ciągu 5 sek.).

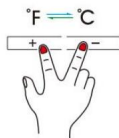
3. Jak ustawić wzrost lub spadek temperatury/czasu?

**+** Ustaw wzrost czasu/temperatury

**-** Ustaw czas/obniżenie temperatury

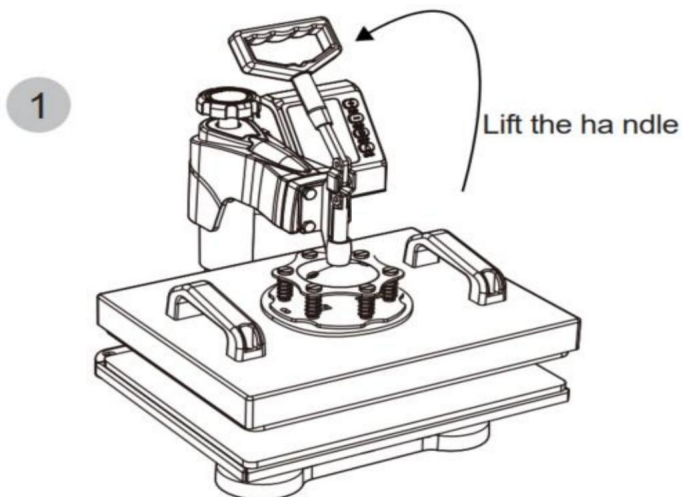
4. Jak zmienić jednostkę temperatury z °C na °F?

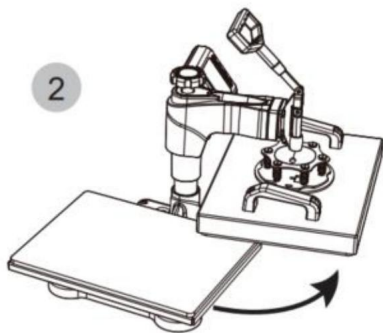
Po włączeniu naciśnij jednocześnie przyciski „+” i „-”, aby zmienić jednostkę temperatury pomiędzy °C i °F.



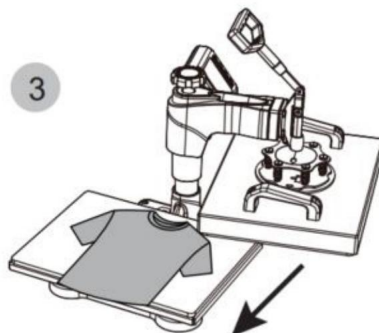
5. Wskazówki: Maksymalna ustawiona temperatura tego urządzenia wynosi 232°C, a najdłuższy czas to 999 sekund.

## INSTRUKCJE MONTAŻU I UŻYTKOWANIA





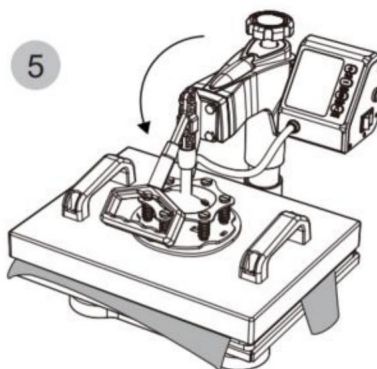
Rotate the heating platen to one side



Pull out the lower panel, place the clothes flat on the platen, and place the pattern on the clothes.



Rotate this switch to adjust pressure



## INTELIGENTNY REGULATOR TEMPERATURY SPOSÓB DZIAŁANIA

### 1. Przygotowanie przed użyciem: 1.1

Sprawdź połączenie między wtyczką zasilającą a gniazdkiem elektrycznym szafy elektrycznej.

Pamiętaj o podłączeniu do bezpiecznego przewodu uziemiającego!!!

1.2 Element prasy termicznej musi być bezpiecznie podłączony do maszyny przed jej włączeniem. Podłącz przewód elektryczny do maszyny. Podłącz gniazdo elektryczne do wtyczki ściennej. Włącz przełącznik on/off.



## 2. Ustaw wymaganą temperaturę :

Ustaw temperaturę i czas zgodnie z poniższą tabelą i uzyskaj konkretne wyniki.

odpowiednią temperaturę i ustawienie czasu. (Temperaturę mierzy się w stopnie Fahrenheita.)

Obiekt prasowy	Wstę pny Temperatura	Najwyższy Temperatura	Prawidłowe ogrzewanie Czasy)
Kubki	230	330	40
Płytki	230	330	40
Płyta metalowa	230	330	40
Płyta	230	355	150
Koszulka	230	355	Papier sublimacyjny: 30-50s
			Papier na koszulkę : 10-20s

Ustawienie początkowej temperatury (zakres: 200-450°F)

Naciśnij przycisk „MODE” RAZ, zobacz, jak „lampka ustawień” zmienia kolor na czerwony. Następnie naciśnij „przycisk plus/minus”, aby ustawić początkową temperaturę grzania.

B. Najwyższe ustawienie temperatury (zakres: 93-232°C)

Naciśnij przycisk „MODE” PO RAZ DRUGI; zobacz „kontrolkę temperatury”

zmienia kolor na czerwony. Następnie naciśnij przycisk „plus lub minus”, aby ustawić najwyższą temperaturę grzania temperatura.

C. Prawidłowe ustawienie czasu nagrzewania (zakres: 0-999 sek.)

Naciśnij przycisk „MODE” po raz TRZECI; zobacz, jak „kontrolka czasu” zmienia kolor na czerwony.

Następnie naciśnij przycisk „plus” lub „minus”, aby ustawić odpowiedni czas grzania.

D. Fahrenheita na Celsjusza

Po włączeniu maszyny do tłoczenia na gorąco naciśnij przyciski + i -

jednocześnie przez około pięć sekund. Gdy wyświetli się PAE, naciśnij

Naciśnij przycisk MODE, aby wyświetlić (FC) i zmień F na C w kolejnym wyświetlaniu czasu, tak aby Stopnie Fahrenheita są przeliczane na stopnie Celsjusza.

3. Zakończ ustawienia i przygotuj się do pracy

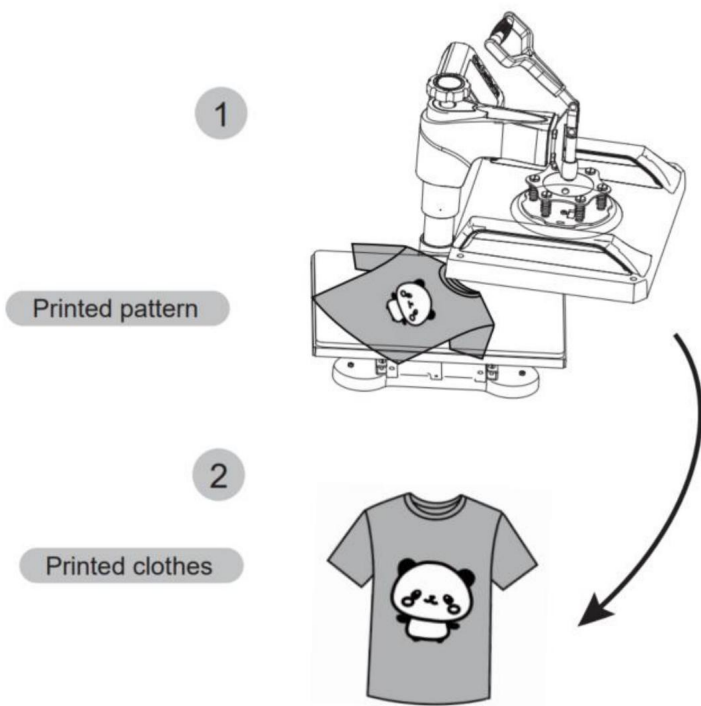
Naciśnij przycisk „MODE” PO CZWARTY RAZ, aby zakończyć ustawianie. Zaświeci się lampka kontrolna.

jest włączony, a temperatura będzie nadal rosła. Gdy ustawiona maksymalna

temperatura zostanie osiągnięta, rozpocznie się odliczanie. Po zakończeniu odliczania,

Rozlegnie się dźwięk „BEEF”, kontrolka zgaśnie, a działanie zostanie wznowione.

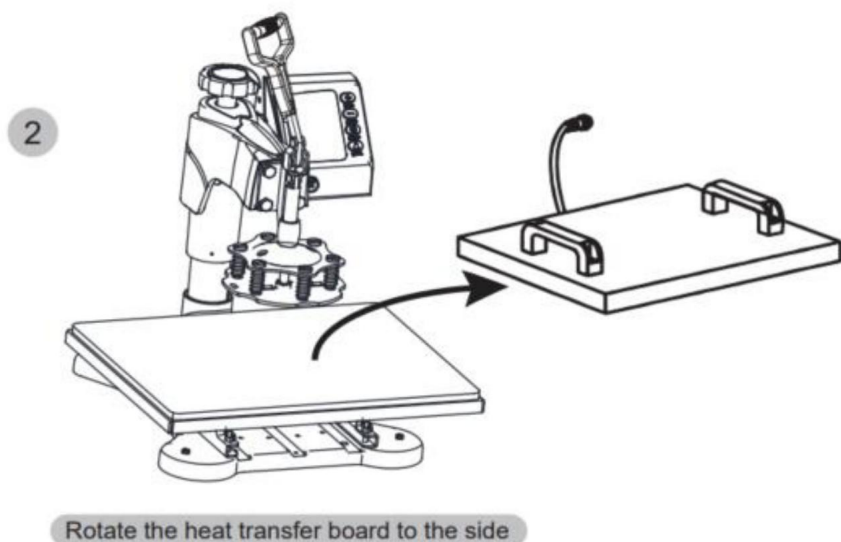
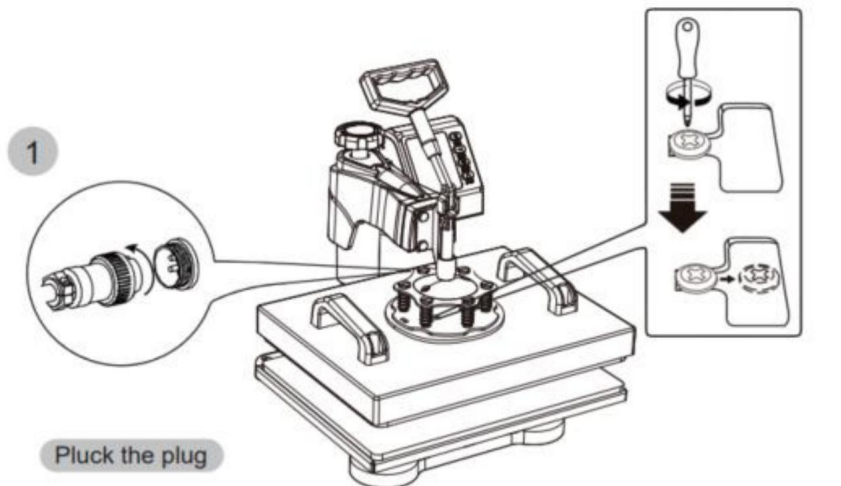
ukończone, a maszyna jest gotowa do pracy.



Wyłącz zasilanie i wyciągnij matę . Zaleca się założenie rękawiczek odpornych na ciepło podczas zdejmowania ubrań lub zdjęcie ich po 2-3 minutach. Uważaj na gorące ciepło.

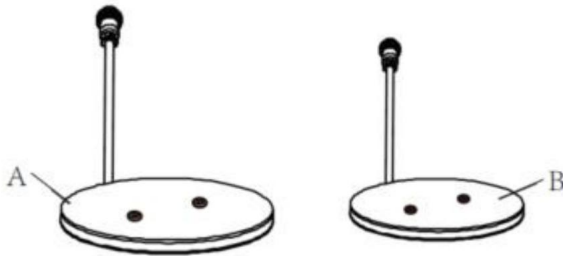
## WYMIANA PODKŁADKI DO PIECZENIA

Aby wymienić akcesoria, odkręć śruby w dwóch otworach na płycie dociskowej za pomocą śrubokręta krzyżakowego.



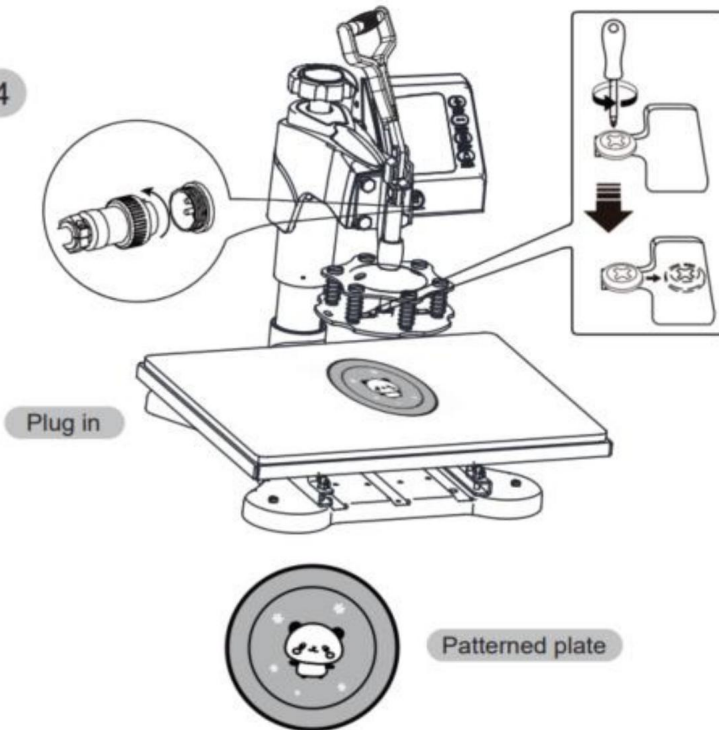
ZAMIEŃ NA PRASKĘ PŁYTOWĄ

3



Select the appropriate size daking pan mat(Part A or B)

4

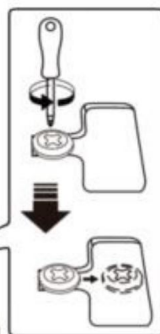


## WYMIANA MATY PODKŁADKI

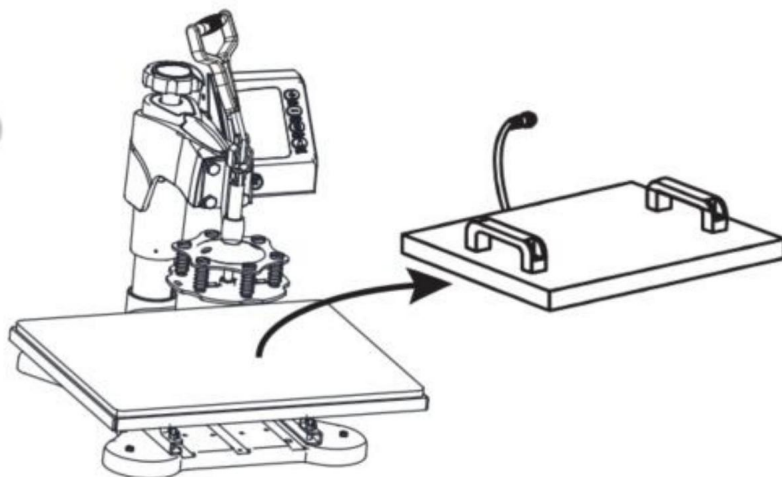
1



Pluck the plug



2

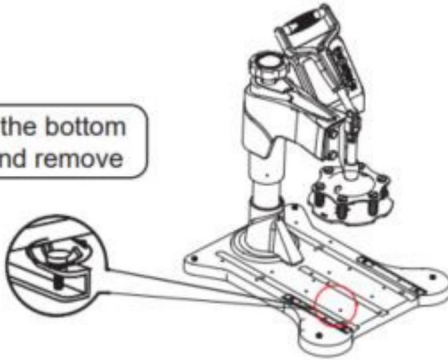


Rotate the heat transfer board to the side

3

Unscrew the four butterfly screws at bottom

Loosen the bottom screw and remove



Lift the cushion up

4

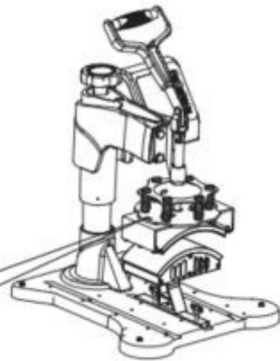
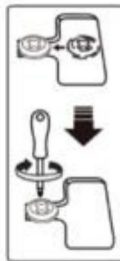


5

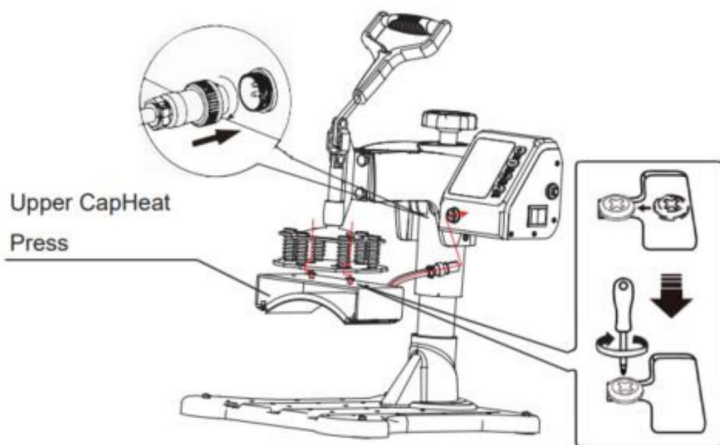


Install the backing pad (part 4)

6



Use the screwdriver 4 to tighten the 2 screws just removed and put the cap on



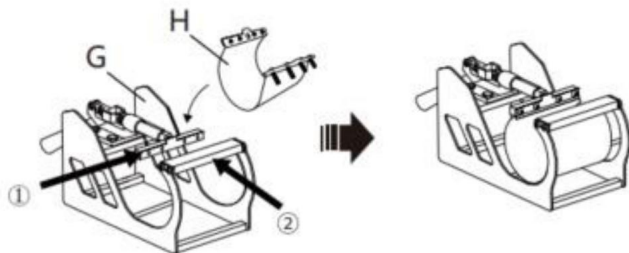
1. Weź 2 śruby z łbem kubkowym i zablokuj je w otworze na środku prasy do nasadek. Nie blokuj śrub z łbem kubkowym, zostaw 5-7 mm, a następnie wciśnij śrubę z łbem kubkowym w szczelinę wzdłuż wskazanej trasy i zablokuj ją śrubokrętem. Włóż mięską główkę wtyczki prasy do nasadek do żeńskiej główki sterownika i dokręć nakrętkę.



Shaped hat

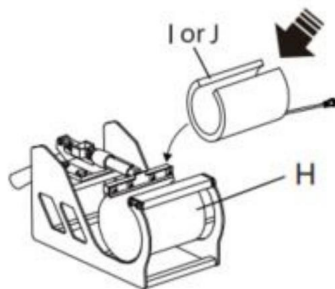
## WYMIANA PODSTAWKI PODKŁADKI

1

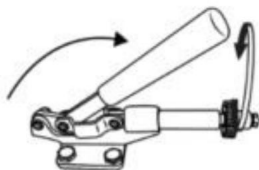


Install H to Part G.  
(Tighten the screws on both sides.  
We suggest to tighten the screws on the ① side first, and then tighten the screws on the ② side)

Select the appropriate size backing coaster (Part I or J) Put the cup in Part H.



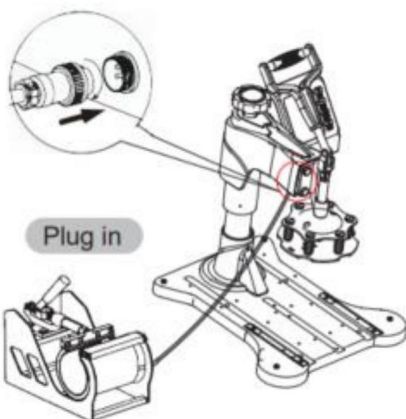
2



Adjust the tightness



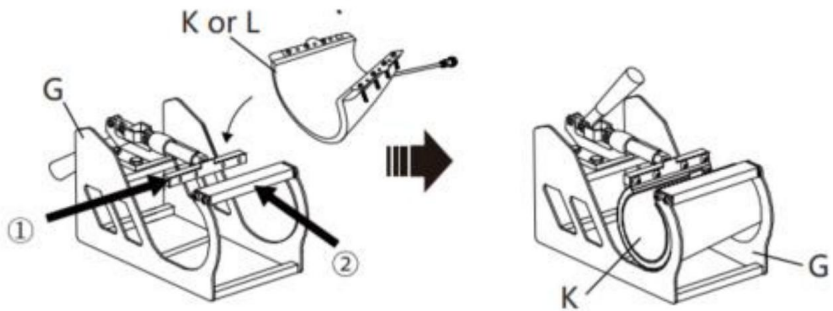
Shaped cup



Plug in



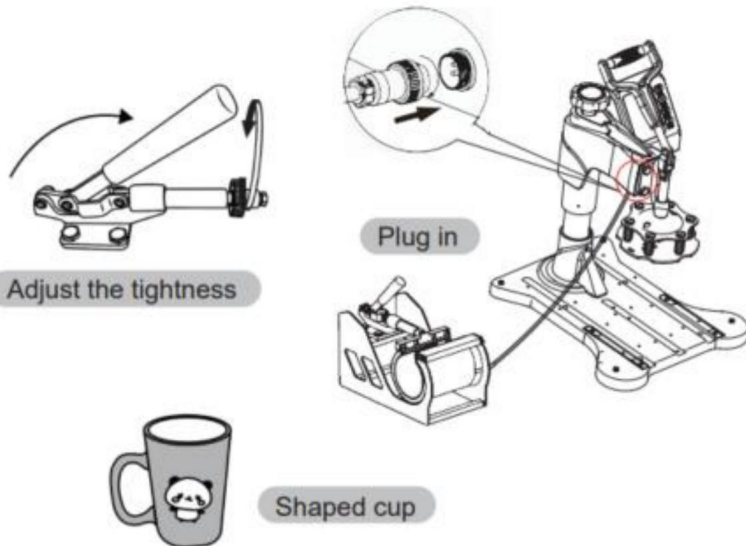
1



And install K or L to Part G.  
(Tighten the screws on both  
sides. We suggest to tighten  
the screws on the ① side  
first, and then tighten the  
screws on the ② side)

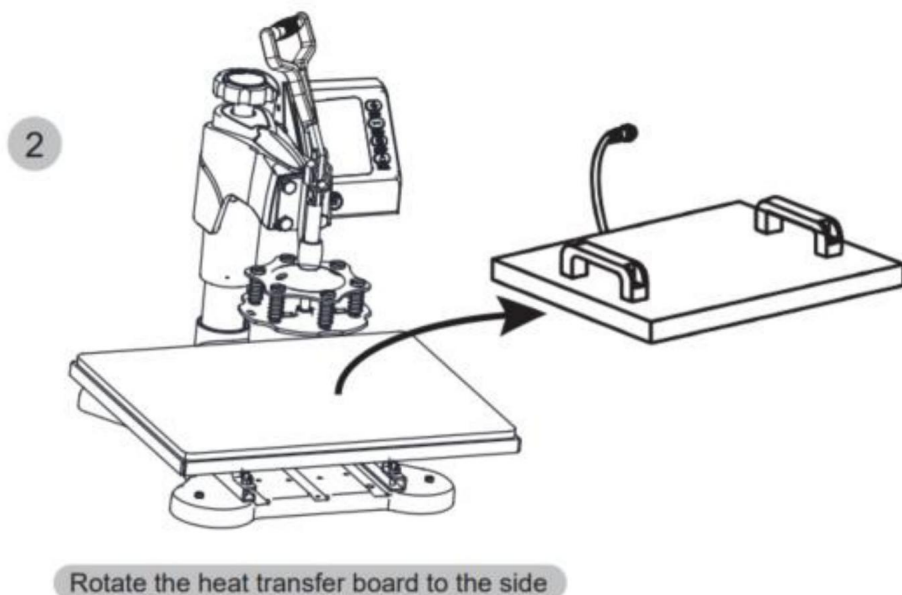
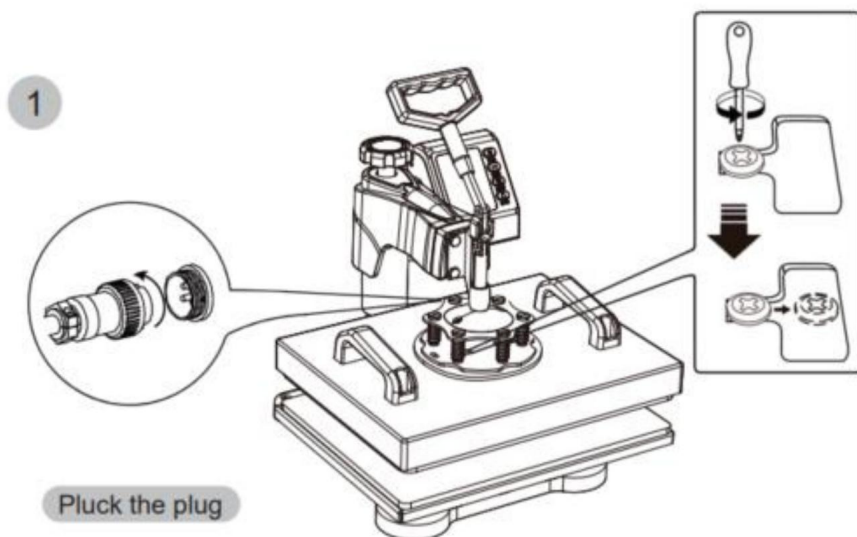
Put the cup in Part G

2

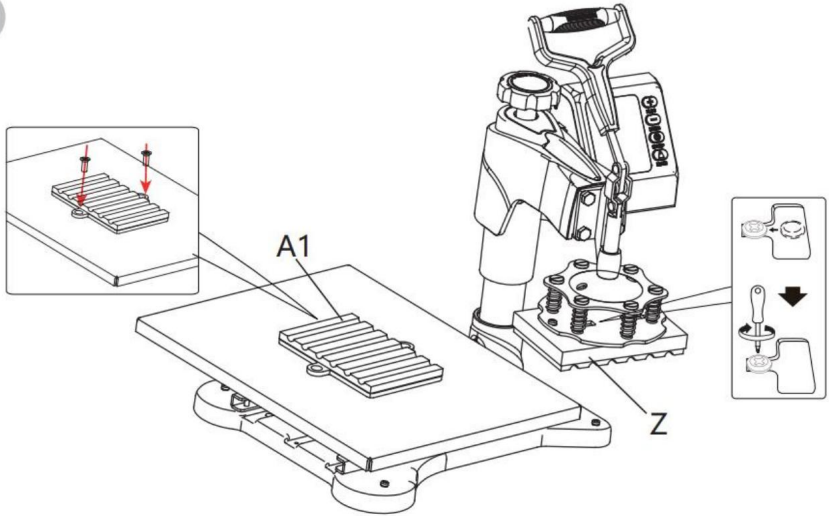


## WYMIANA PIÓRA DO PIECZENIA

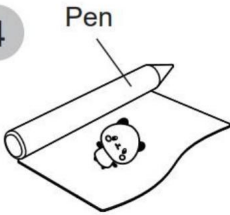
Aby wymienić akcesoria, odkręć śruby w dwóch otworach na płycie dociskowej za pomocą śrubokręta krzyżakowego.



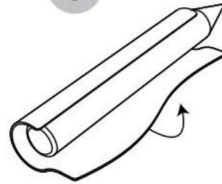
3



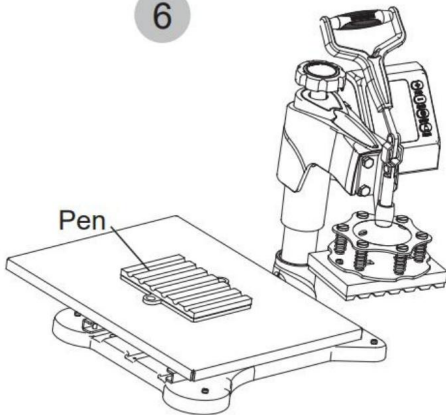
4



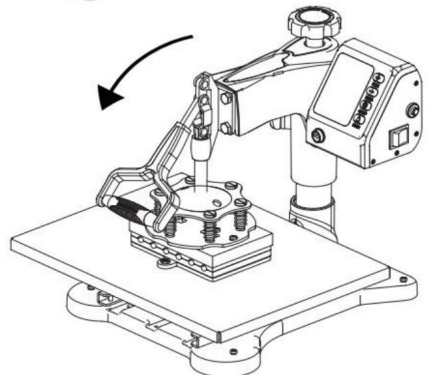
5



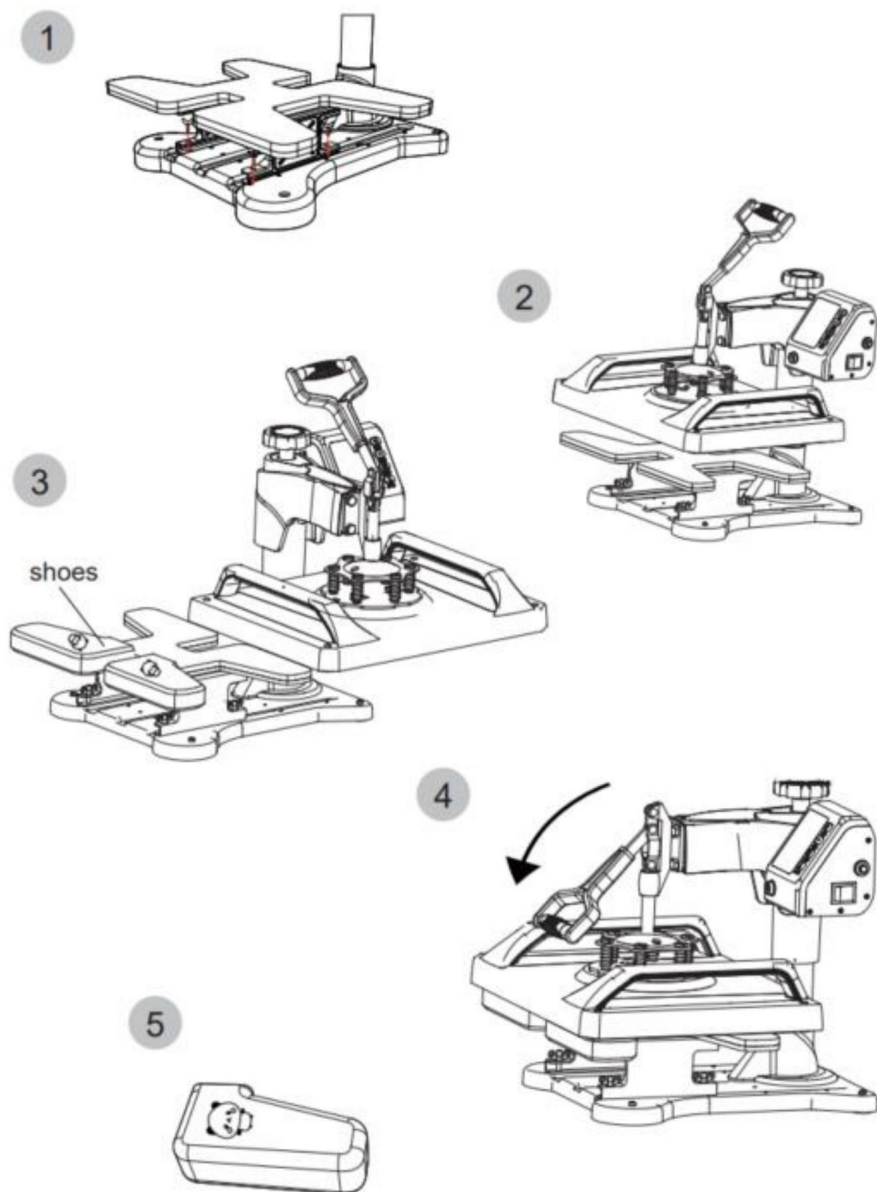
6



7



## WYMIANA BUTA DO PIECZENIA



## POSTĘPOWANIE Z WADAMI JAKOŚCIOWYMI W TRANSFERZE

1. Jasny kolor lub wyblakły obraz: niewystarczająca temperatura / nieprawidłowe ciśnienie / Za mało czasu.
2. Rozmyty obraz: Czas naciskania jest zbyt długi.
3. Część wzoru jest rozmazana: ciepło nie jest prawidłowo rozprowadzane płyty grzewczej, dzięki czemu można odpowiednio wydłużyć czas pracy. Może to również być przyczyną nierównomiernego rozłożenia ciśnienia, które może być ustawione na czterech płytach regulatorzy. Należy pamiętać, że cztery regulatory zarządu zostały utworzone przed Są one montowane fabrycznie i nie wymagają normalnej regulacji.
4. Ciemny wzór: Zbyt duże ciśnienie lub temperatura.
5. Wzór blizn: Czas transferu jest zbyt długi.
6. Różne kolory wzoru: nieprawidłowe ciśnienie lub słaba jakość transferu papier.
7. Przypalony wzór: wysoka temperatura lub słaba jakość tuszu.

Producent:Shanghaimuxinmuyeyouxiangongsi

Adres: Shuangchenglu 803nong11hao1602A-1609shi, baoshanqu, szanghaj 200000 CN.

Importowane do AUS: SIHAO PTY LTD. 1 ROKEVA STREETEASTWOOD NSW 2122 Australia

Importowane do USA: Sanven Technology Ltd. Suite 250, 9166 Anaheim Miejsce, Rancho Cucamonga, CA 91730

Przedstawiciel UE	
-------------------	--

E-CrossStu GmbH  
Mainzer Landstr.69, 60329 Frankfurt nad Menem.

REP WIELKIEJ BRYTANII	
-----------------------	--

YH CONSULTING LIMITED.  
C/O YH Consulting Limited Biuro 147, Centurion House,  
London Road, Staines-upon-Thames, Surrey, TW18 4AX





**VEVOR**®

**TOUGH TOOLS, HALF PRICE**

Wsparcie techniczne i certyfikat gwarancji  
elektronicznej [www.vevor.com/support](http://www.vevor.com/support)



# VEVOR<sup>®</sup>

## TOUGH TOOLS, HALF PRICE

Supporto tecnico e certificato di garanzia elettronica [www.vevor.com/support](http://www.vevor.com/support)

### MACCHINA PER PRESSA A CALDO

Continuiamo a impegnarci per fornirvi strumenti a prezzi competitivi.

"Risparmia la metà", "Metà prezzo" o qualsiasi altra espressione simile da noi utilizzata rappresenta solo una stima del risparmio che potresti ottenere acquistando determinati utensili con noi rispetto ai principali marchi principali e non significa necessariamente coprire tutte le categorie di utensili da noi offerti. Ti ricordiamo gentilmente di verificare attentamente quando effettui un ordine con noi se stai effettivamente risparmiando la metà rispetto ai principali marchi principali.

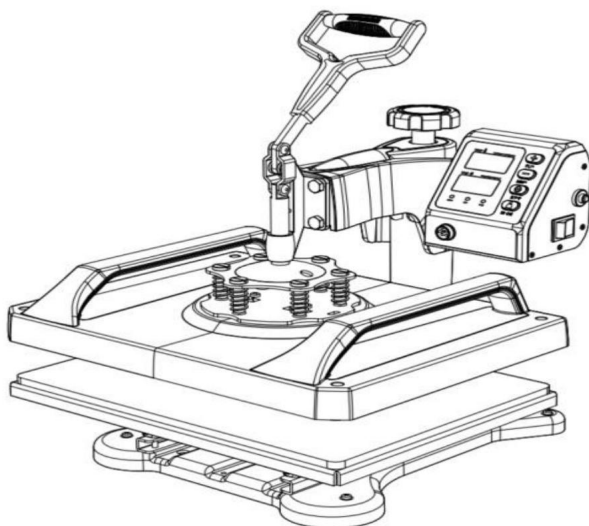


# VEVOR<sup>®</sup>

TOUGH TOOLS, HALF PRICE

MACCHINA PER PRESSA A CALDO

MODELLO:TL1215/TL1515






**HAI BISOGNO DI AIUTO? CONTATTACI!**

Hai domande sui prodotti? Hai bisogno di supporto tecnico? Non esitare a contattarci:

**Supporto tecnico e certificato di garanzia  
elettronica [www.vevor.com/support](http://www.vevor.com/support)**

Questa è l'istruzione originale, si prega di leggere attentamente tutte le istruzioni del manuale prima di utilizzare. VEVOR si riserva una chiara interpretazione del nostro manuale utente. L'aspetto del prodotto sarà soggetto al prodotto ricevuto. Vi preghiamo di perdonarci se non vi informeremo di nuovo se ci sono aggiornamenti tecnologici o software sul nostro prodotto.

Simbolo	Descrizione del simbolo
	<p><b>Attenzione:</b> per ridurre il rischio di lesioni, l'utente deve leggere attentamente le istruzioni per l'uso. attentamente il manuale di istruzioni.</p>
	<p>Questo simbolo, posto prima di un commento di sicurezza, indica un tipo di precauzione, avvertimento o pericolo. Ignorare questo avvertimento può portare a un incidente. Per ridurre il rischio di lesioni, incendi o folgorazione, seguire sempre le raccomandazioni indicate di seguito.</p>
	<p><b>SMALTIMENTO CORRETTO:</b></p> <p>Questo prodotto è soggetto alle disposizioni della Direttiva Europea 2012/19/CE. Il simbolo raffigurante un bidone della spazzatura barrato attraverso indica che il prodotto richiede un rifiuto separato raccolta nell'Unione Europea. Ciò vale per il prodotto e tutti gli accessori contrassegnati con questo simbolo. Prodotti contrassegnati come tali rifiuti non possono essere smaltiti insieme ai normali rifiuti domestici, ma devono essere portati in un punto di raccolta per il riciclaggio di apparecchiature elettriche ed elettroniche. dispositivi elettronici.</p>

## AVVERTIMENTO

1. Le avvertenze devono essere seguite attentamente per evitare lesioni al corpo, l'uso improprio può causare scosse elettriche, incendi, lesioni personali e altri danni:

- 1) Tenere la macchina scollegata dalla presa elettrica quando la si sposta.
- 2) Tenere la spina scollegata durante l'installazione degli accessori.
- 3) Collocare su una piattaforma piana e stabile e operare in condizioni di ventilazione.
- 4) Indossare speciali dispositivi di protezione durante l'uso della macchina.
- 5) Non utilizzare questa macchina in luoghi pericolosi.
- 6) Non utilizzare la macchina se non funziona correttamente.
- 7) Non smontare e riparare questa macchina.
- 8) Non utilizzare una presa CA non adatta.
- 9) Non toccare la piastra riscaldante quando la macchina è in fase di riscaldamento.
- 10) Non utilizzare in ambienti umidi o a contatto con l'acqua. Non infiltrarsi liquido nella macchina per prevenire incendi o scosse elettriche causate da cortocircuiti.
- 11) Non utilizzare un alimentatore che non soddisfi la tensione nominale. L'alimentazione

un'alimentazione che non soddisfa la tensione specificata può causare incendi o scosse elettriche shock.

12) Assicurarsi che la macchina sia collegata a terra per non causare danni alla persona.

13) Non toccare l'asta rotante o la parte del cuscinetto con le dita durante l'uso in caso di lesioni.

14) Se la macchina non viene utilizzata per un lungo periodo, scollegare il cavo di alimentazione dalla presa.

15) Non utilizzare la macchina durante temporali o fulmini per evitare danni alla macchina.

16) Posizionare la macchina in modo uniforme sul tavolo ignifugo e tenerla lontana da oggetti infiammabili ed esplosivi.

17) Interrompere l'utilizzo se la macchina emette fumo, odori particolari, diventa rumorosa e si trova in altre condizioni anomale.

18) Questo apparecchio può essere utilizzato da bambini di età pari o superiore a 8 anni e persone con ridotte capacità fisiche, sensoriali o mentali o prive di esperienza e conoscenza

se hanno ricevuto supervisione o istruzioni in merito all'uso dell'

l'apparecchio in modo sicuro e comprendere i pericoli coinvolti. I bambini non devono

giocare con l'apparecchio. La pulizia e la manutenzione da parte dell'utente non devono essere eseguite da bambini senza supervisione

19) Attacco tipo X: se il cavo di alimentazione è danneggiato, deve essere sostituito con un cavo o gruppo speciale disponibile presso il produttore o il suo agente di assistenza.

20) Per evitare pericoli dovuti al ripristino involontario del relè termico,

questo apparecchio non deve essere alimentato tramite un dispositivo di commutazione esterno, come un timer, o collegato a un circuito che viene regolarmente acceso e spento dall'utilità.



**Warning**

Si prega di spegnere l'alimentazione quando si collega o si scollega il connettore



## INFORMAZIONI FCC

**ATTENZIONE:** Cambiamenti o modifiche non espressamente approvati dalla parte responsabile della conformità potrebbero invalidare l'autorità dell'utente di utilizzare il attrezzatura!

Questo dispositivo è conforme alla Parte 15 delle Norme FCC. Il funzionamento è soggetto alle due condizioni seguenti:

- 1) Questo prodotto può causare interferenze dannose.
- 2) Questo prodotto deve accettare qualsiasi interferenza ricevuta, inclusa interferenze che potrebbero causare un funzionamento indesiderato.

**ATTENZIONE:** Cambiamenti o modifiche a questo prodotto non espressamente approvato dalla parte responsabile della conformità potrebbero invalidare l'utente autorità di utilizzare il prodotto.

**Nota:** questo prodotto è stato testato e ritenuto conforme ai limiti per un dispositivo digitale di Classe B ai sensi della Parte 15 delle Norme FCC. Questi i limiti sono progettati per fornire una protezione ragionevole contro i danni interferenza in un impianto residenziale.

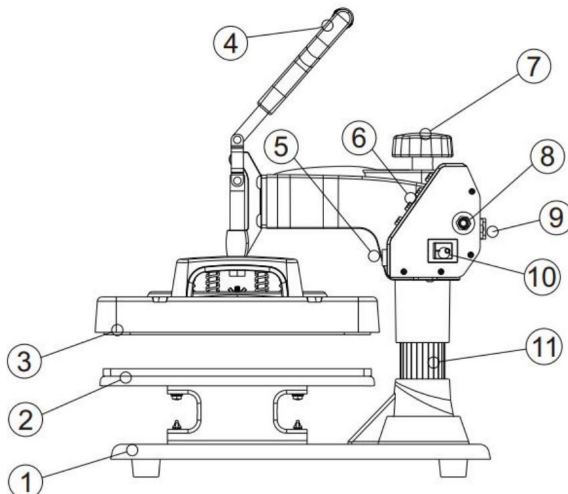
Questo prodotto genera, utilizza e può irradiare energia a radiofrequenza e se non installato e utilizzato secondo le istruzioni, può causare interferenza dannosa alle comunicazioni radio. Tuttavia, non vi è alcuna garantire che non si verifichino interferenze in una particolare installazione. Se questo il prodotto provoca interferenze dannose alla radio o alla televisione ricezione, che può essere determinata accendendo e spegnendo il prodotto, il l'utente è incoraggiato a provare a correggere l'interferenza con uno o più dei seguenti misure.

- Riorientare o riposizionare l'antenna ricevente.
- Aumentare la distanza tra il prodotto e il ricevitore.
- Collegare il prodotto a una presa di corrente su un circuito diverso da quello a cui è collegato. il ricevitore è connesso.
- Per assistenza, consultare il rivenditore o un tecnico radio/TV esperto.

## SPECIFICHE

<b>Modello</b>	TL1215		TL1515	
<b>Dimensione del calore</b>	<b>12x15 pollici</b> Dimensioni: 29x38 cm		<b>15x15 pollici</b> <b>(38x38cm)</b>	
<b>Temperatura Allineare</b>	32-450°F (0-232ÿ)		32-450°F (0-232ÿ)	
<b>Intervallo di tempo</b>	0-999 secondi		0-999 secondi	
<b>Voltaggio</b>	120V~ 60Hz	220-240V~ 50 Hz	120V~ 60Hz	220-240V~ 50 Hz
<b>Energia</b>	900W	1250W	1200W	1250W

## PANORAMICA DELLA TUA PRESSA A CALDO



Numero	Nome della parte	Numero	Nome della parte
1	Piedistallo	7	Manopola di sollevamento
2	Posizionamento	8	Protettore di sovraccarico
3	Piastra riscaldante	9	Presa di corrente
4	Maniglia	10	Interruttore di alimentazione
5	Connettore per avviamento	11	Colonna
6	Pulsante	12	

-La manopola di regolazione della pressione controlla la quantità di forza che verrà utilizzata per spingere l'immagine trasferita nelle fibre del capo. In senso orario aumenta pressione. In senso antiorario la diminuisce.

-Il pannello di controllo sulla parte superiore destra dell'involucro è dove imposterai il calore e tempi richiesti dal tuo progetto. Questi varieranno a seconda del vinile o carta transfer utilizzata.



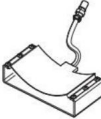

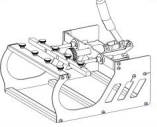
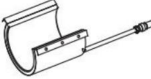
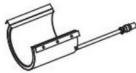
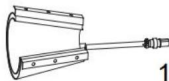
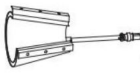


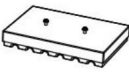
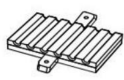
-La maniglia apre e chiude i piani riscaldati superiore e inferiore della pressa rotante.

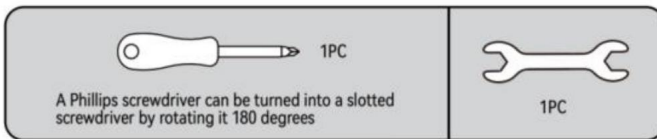
-Il protettore di sovraccarico è un interruttore. Scatterà quando c'è un sovraccarico di elettricità.  
Premerlo per reimpostare.

-L'interruttore di alimentazione deve essere impostato sulla posizione di accensione e il cavo deve essere collegato prima di premere.



## PEZZO DI RICAMBIO

 <p>A 1PC</p>	 <p>B 1PC</p>	 <p>C 1PC</p>
 <p>D 1PC</p>	 <p>E 1PC</p>	 <p>F 1PC</p>
 <p>G 1PC</p>	 <p>H 1PC</p>	 <p>I 1PC</p>
 <p>J 1PC</p>	 <p>K 1PC</p>	 <p>L 1PC</p>
 <p>M 1PC</p>		



	UN	B	C	D	E	F	G	H	.	J	E	L	M
2 in 1			ÿ	ÿ									
5 in 1	ÿ	ÿ	ÿ	ÿ	ÿ	ÿ							
6 in 1ÿ	ÿ	ÿ	ÿ	ÿ	ÿ	ÿ	ÿ						
6 in 1ÿ	ÿ	ÿ	ÿ	ÿ	ÿ	ÿ					ÿ		
8 in 1	ÿ	ÿ	ÿ	ÿ	ÿ	ÿ	ÿ	ÿ	ÿ				
10 in 1	ÿ	ÿ	ÿ	ÿ	ÿ	ÿ	ÿ	ÿ	ÿ	ÿ		ÿ	ÿ
11 in 1	ÿ	ÿ	ÿ	ÿ	ÿ	ÿ	ÿ	ÿ	ÿ	ÿ	ÿ	ÿ	ÿ

## COME CALIBRARE LA TUA NUOVA PRESSA A CALDO

1. Ruotare la manopola della pressione in senso antiorario alcune volte per abbassare la pressione sul piastre.
2. Posizionare un foglio di carta sul fondo del piatto.
3. Chiudere la pressa rotante utilizzando la maniglia.
4. Tirare la carta.
5. Se la carta si muove, ruotare la manopola in senso orario e riprovare.
6. Riprova e ripeti finché la carta non si muove più. Questo è il tuo "Medium" pressione.

Dall'impostazione "Media", l'alta pressione sarà in senso orario di uno o due giri. Bassa la pressione sarà in senso antiorario da uno a due giri. (Il numero di giri sarà dipendono dallo spessore del capo.

## IMPOSTAZIONE DELLA TEMPERATURA E DEL TEMPO

- PLUS
- + MINUS
- ⚙️ SETUP
- 👁️ START



### 1. Come accendere/spegnere e come avviare?

Premere il pulsante dell'interruttore sul lato della centralina di controllo della temperatura per accenderla.

Pulsante di avvio del conto alla rovescia: premere una volta per avviare il conto alla rovescia; premere nuovamente per azzerarlo.

### 2. Come impostare la temperatura/l'ora?

Premere **una** volta per impostare la temperatura, premere due volte per impostare l'ora e premere di nuovo per uscire. (Uscirà automaticamente dallo stato di impostazione temperatura/tempo in caso di mancata operazione entro 5 sec.).

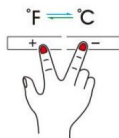
### 3. Come impostare l'aumento o la diminuzione della temperatura/del tempo?

**+** Imposta l'aumento di tempo/temperatura

**-** Imposta la diminuzione del tempo/temperatura

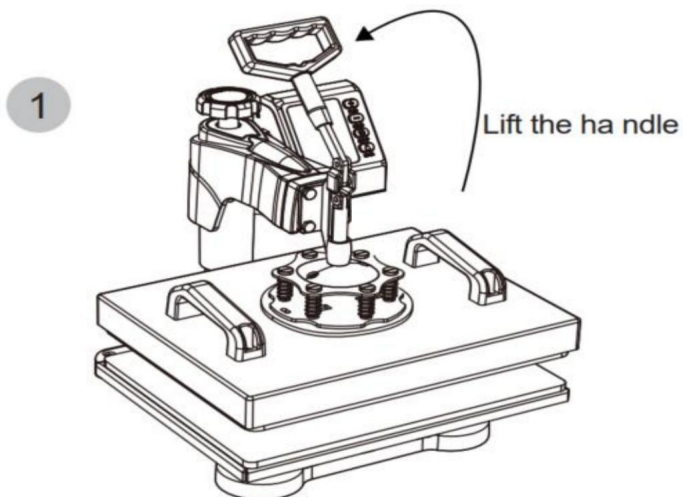
### 4. Come cambiare l'unità di temperatura da °F a °C?

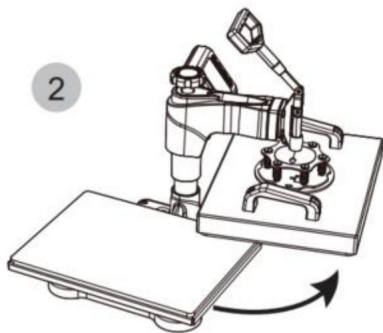
Quando il dispositivo è acceso, premere contemporaneamente "+" e "-" per modificare l'unità di temperatura tra °F e °C.



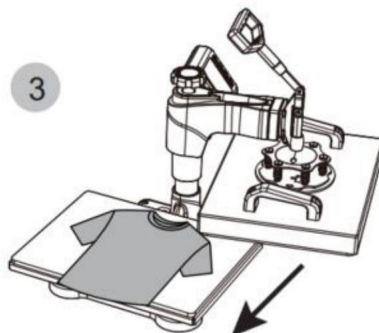
5. **Suggerimenti:** la temperatura massima impostata su questa macchina è 232°C e il tempo più lungo è 999 sec.

## FASI DI MONTAGGIO E UTILIZZO





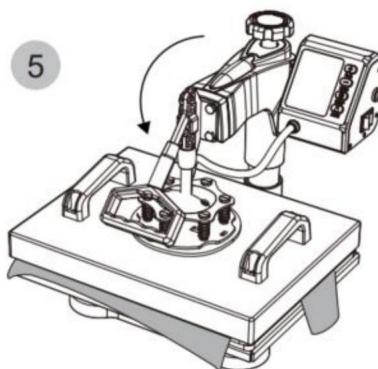
Rotate the heating platen to one side



Pull out the lower panel, place the clothes flat on the platen, and place the pattern on the clothes.



Rotate this switch to adjust pressure



## REGOLATORE DI TEMPERATURA INTELLIGENTE

### METODO DI FUNZIONAMENTO

#### 1. Preparazione prima dell'uso: 1.1

Controllare il collegamento tra la spina di alimentazione e la presa elettrica dell'armadio elettrico.

Assicuratevi di utilizzare un filo di terra sicuro!!!

1.2 L'elemento della pressa a caldo deve essere saldamente collegato alla macchina prima di accenderla. Collegare il cavo elettrico alla macchina. Collegare la presa elettrica alla presa a muro. Accendere l'interruttore on/off.

## 2. Impostare la temperatura richiesta:

Impostare la temperatura e il tempo secondo la tabella sottostante e ottenere le specifiche corrispondente temperatura e impostazione del tempo. (La temperatura è misurata in Gradi Fahrenheit.)

Premere l'oggetto	Iniziale Temperatura	Più alto Temperatura	Riscaldamento adeguato (Volte)
Tazze	230	330	40
Piastrelle	230	330	40
Pannello metallico	230	330	40
Piatto	230	355	150
maglietta	230	355	Carta per sublimazione: 30-50 secondi
			Carta per magliette: 10-20 secondi

Impostazione della temperatura iniziale (intervallo: 200-450 °F)

Premere il pulsante "MODE" UNA VOLTA, vedere la "luce di impostazione" diventare rossa. Quindi premere il "tasto più/meno" per impostare la temperatura di riscaldamento iniziale.

B. Impostazione della temperatura più alta (intervallo: 93-232°F)

Premere il pulsante "MODE" per la SECONDA VOLTA; vedere la "spia della temperatura" diventando rosso. Quindi premere il tasto "più o meno" per impostare il riscaldamento più alto temperatura.

C. Impostazione corretta del tempo di riscaldamento (intervallo: 0-999 sec.)

Premere il pulsante "MODE" per la TERZA VOLTA; la "spia dell'ora" diventerà rossa.

Quindi premere il tasto "più o meno" per impostare il tempo di riscaldamento corretto.

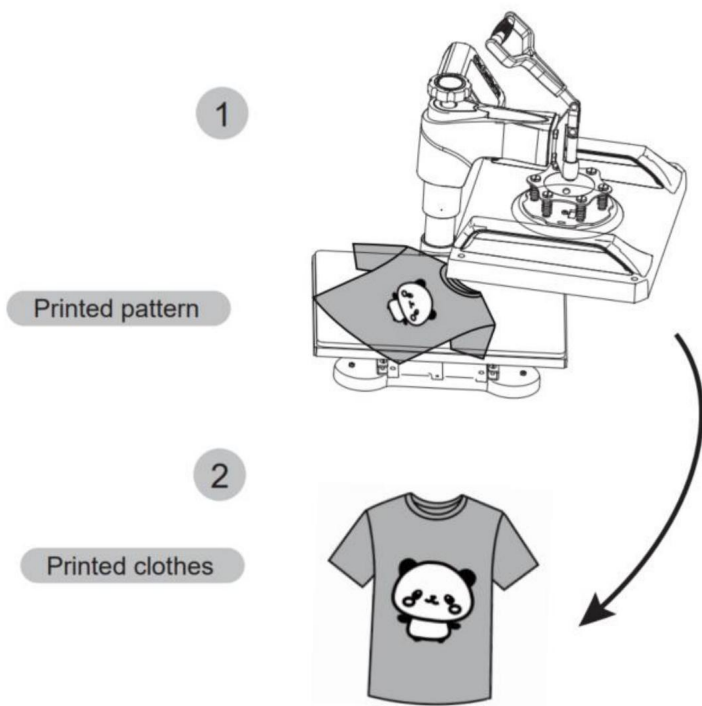
D. Fahrenheit a Celsius

Dopo aver acceso la macchina per la stampa a caldo, premere i pulsanti + e - contemporaneamente per circa cinque secondi. Quando viene visualizzato PAE, premere il tasto Tasto MODE per visualizzare (FC) e modificare F in C nella visualizzazione dell'ora, in modo che I gradi Fahrenheit vengono convertiti in gradi Celsius.

## 3. Completare l'impostazione e attendere il lavoro

Premere il pulsante "MODE" per la QUARTA VOLTA; terminare l'impostazione, la spia di impostazione si accende è acceso e la temperatura continuerà a salire. Quando il massimo impostato temperatura raggiunta, inizia il conto alla rovescia. Dopo che il conto alla rovescia finisce, il

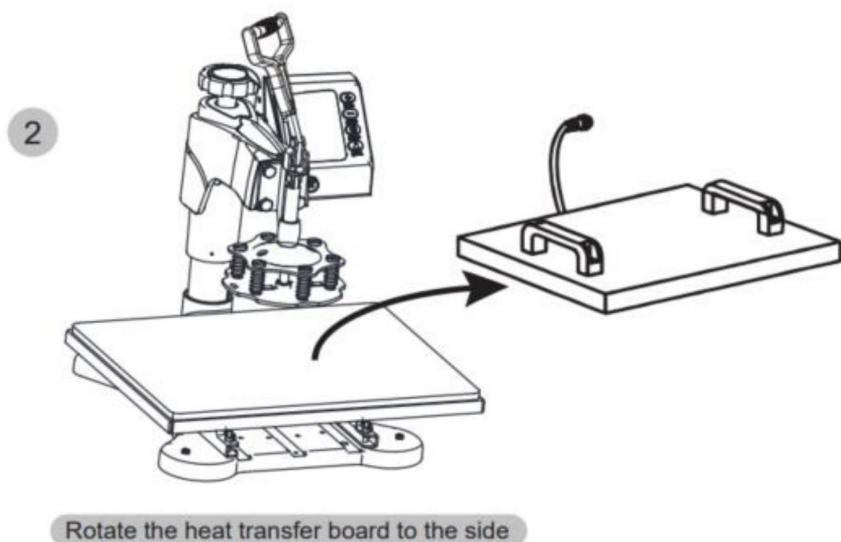
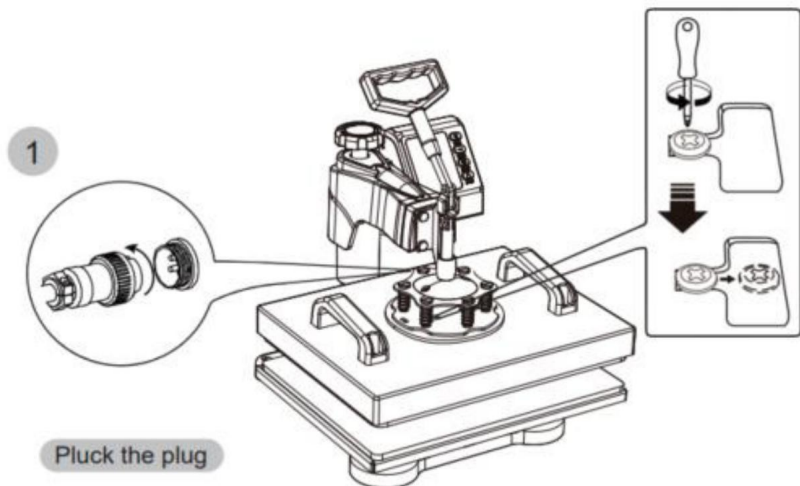
Verrà emesso il suono "BEEF", la spia si spegnerà e il funzionamento sarà completato e la macchina è pronta per funzionare.



Spegnere l'alimentazione ed estrarre il tappetino. Si consiglia di indossare guanti resistenti al calore quando si tolgono i vestiti o di toglierli dopo 2-3 minuti. Fare attenzione al calore.

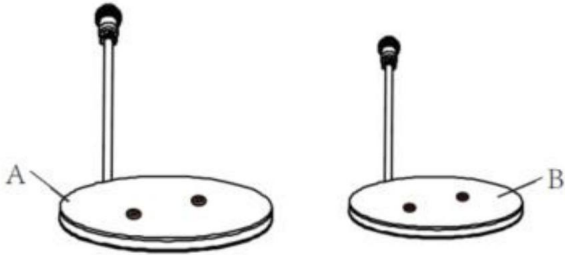
SOSTITUIRE IL TAPPETINO DELLA TEGLIA DA COTTURA

Utilizzare un cacciavite a croce per svitare le viti nei due fori sulla piastra di pressione per sostituire gli accessori.



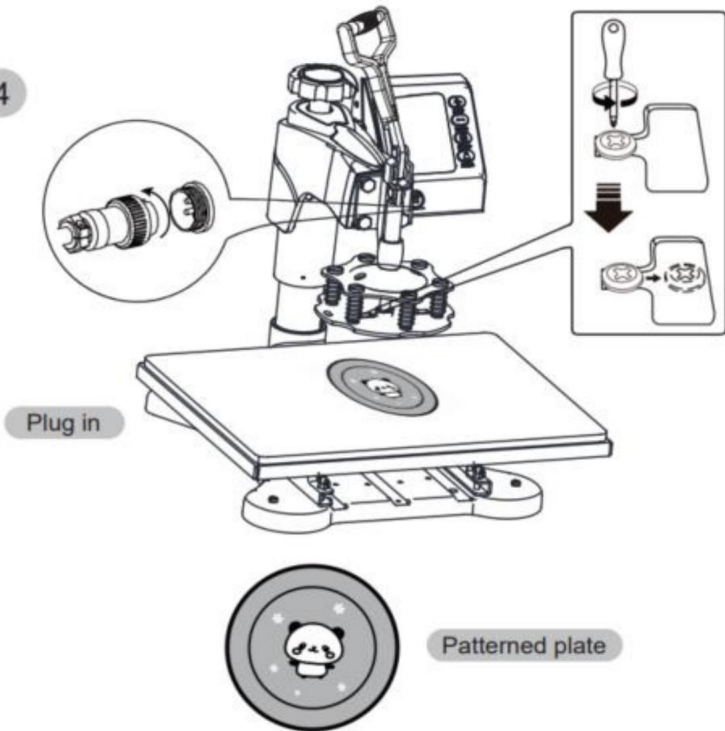
### SOSTITUIRE CON UNA PRESSA A PIASTRA

3



Select the appropriate size daking pan mat(Part A or B)

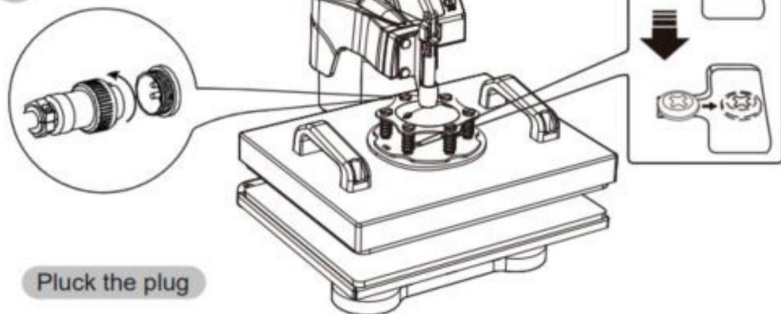
4





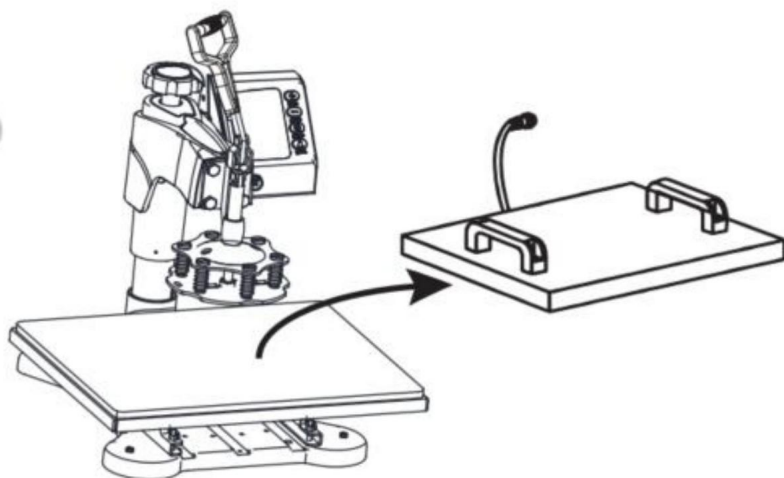
## SOSTITUIRE IL TAPPETINO DI SUPPORTO

1



Pluck the plug

2

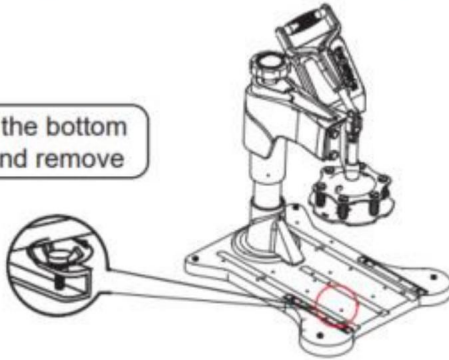


Rotate the heat transfer board to the side

3

Unscrew the four butterfly screws at bottom

Loosen the bottom screw and remove



Lift the cushion up

4

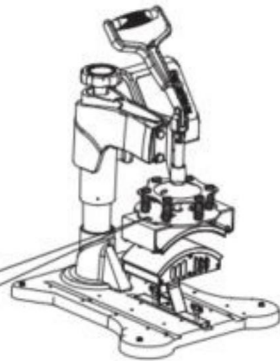
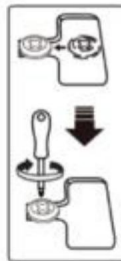


Install the backing pad (part 4)

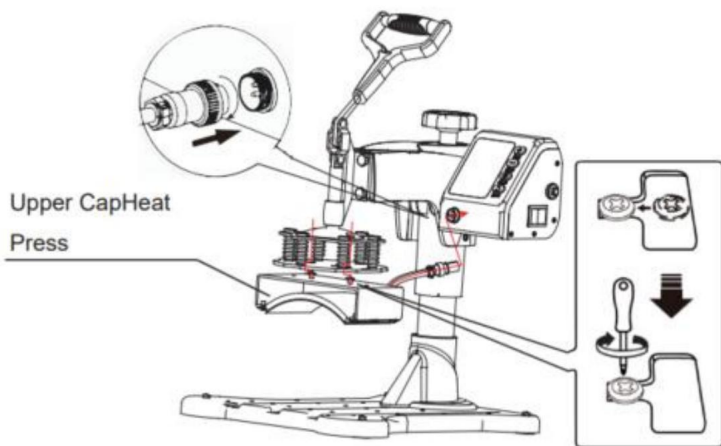
5



6



Use the screwdriver 4 to tighten the 2 screws just removed and put the cap on



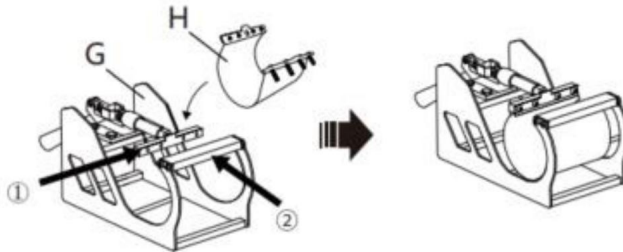
1. Prendi 2 viti a testa tonda e bloccale nel foro al centro della pressa per tappi. Non bloccare le viti a testa tonda, lascia 5-7 mm, quindi aggancia la vite a testa tonda nella fessura lungo il percorso indicato e bloccala con un cacciavite. Inserisci la testa maschio del tappo della pressa per tappi nella testa femmina del controller e stringi il dado.



Shaped hat

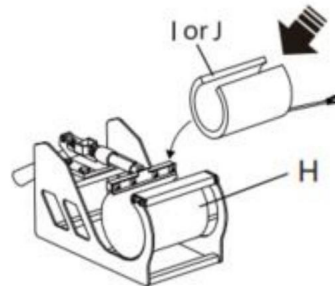
## SOSTITUIRE IL SOTTOBICCHIERE

1

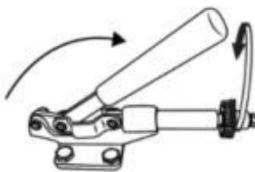


Install H to Part G.  
(Tighten the screws on both sides.  
We suggest to tighten the screws on the ① side first, and then tighten the screws on the ② side)

Select the appropriate size backing coaster (Part I or J) Put the cup in Part H.



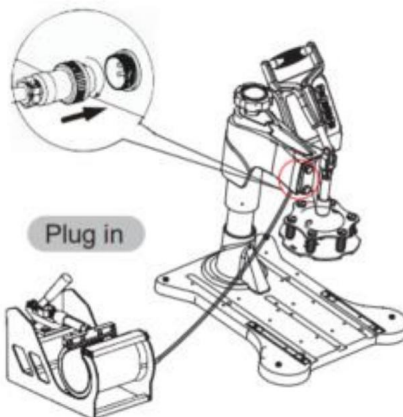
2



Adjust the tightness

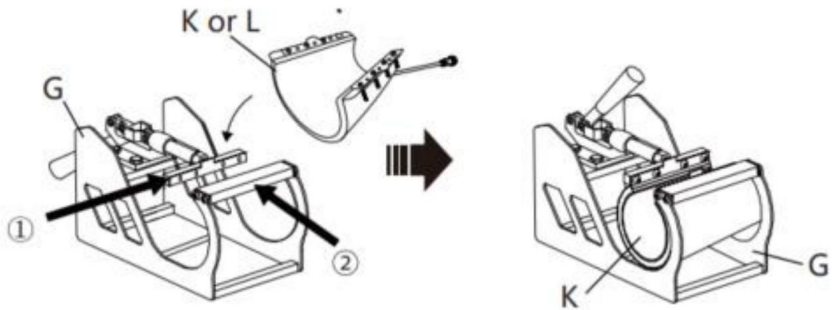


Shaped cup



Plug in

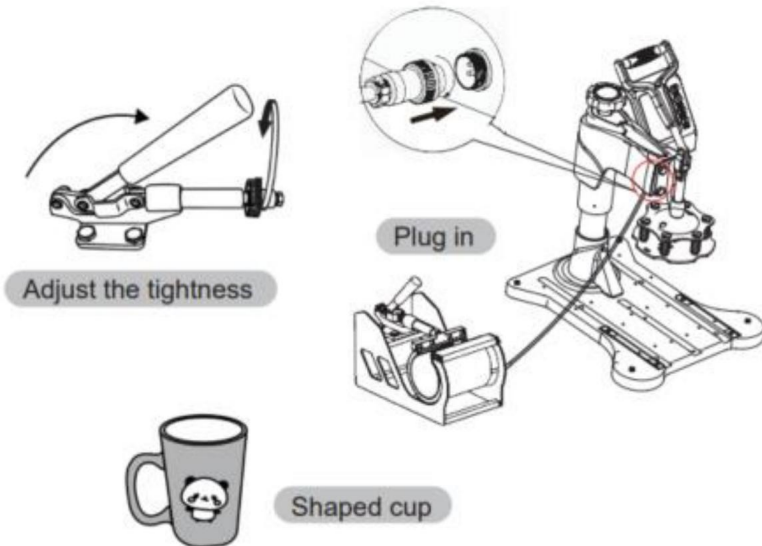
1



And install K or L to Part G.  
(Tighten the screws on both  
sides. We suggest to tighten  
the screws on the ① side  
first, and then tighten the  
screws on the ② side)

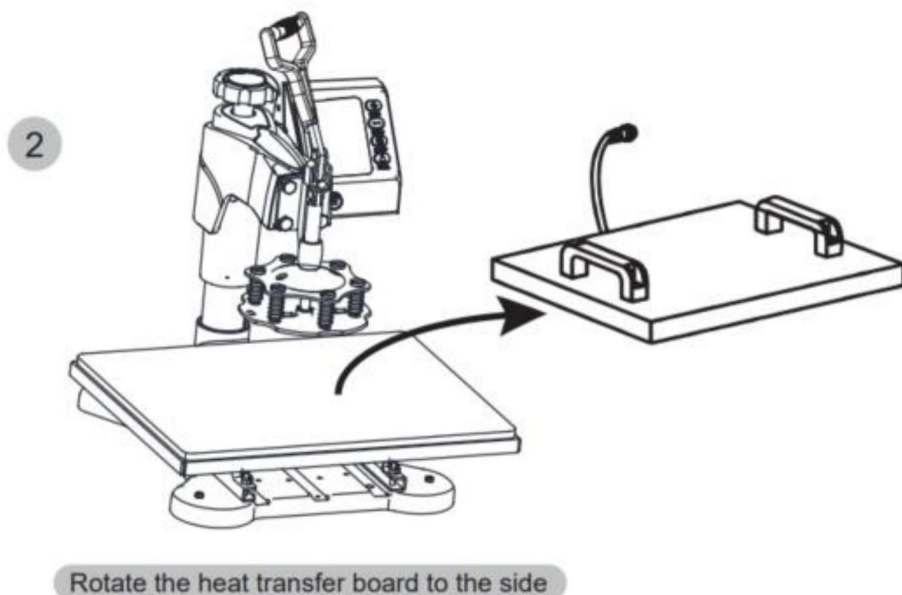
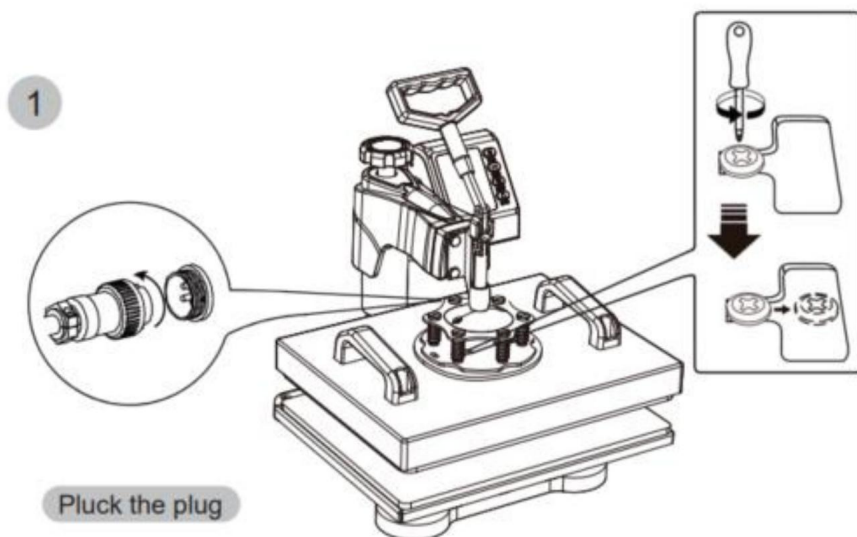
Put the cup in Part G

2

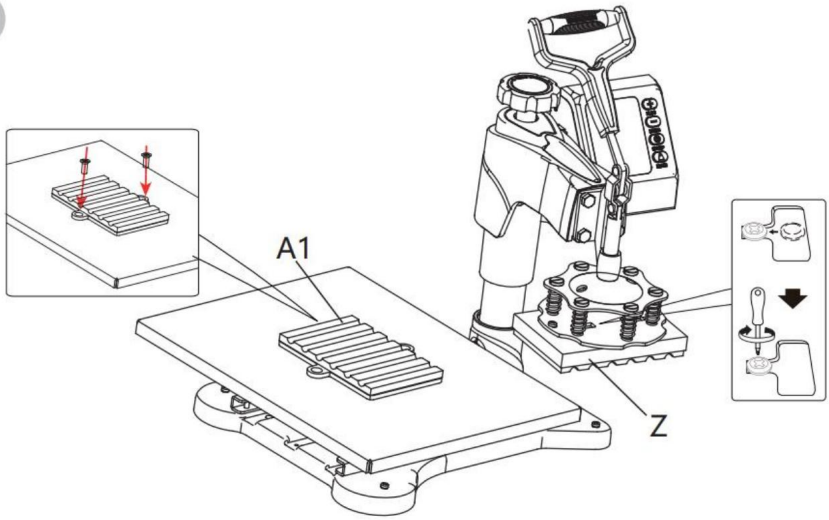


## SOSTITUIRE LA PENNA DA FORNO

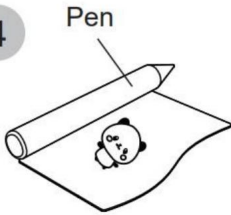
Utilizzare un cacciavite a croce per svitare le viti nei due fori sulla piastra di pressione per sostituire gli accessori.



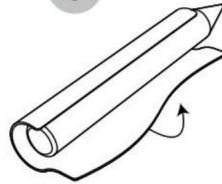
3



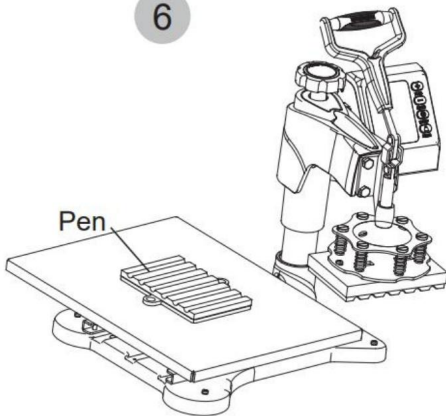
4



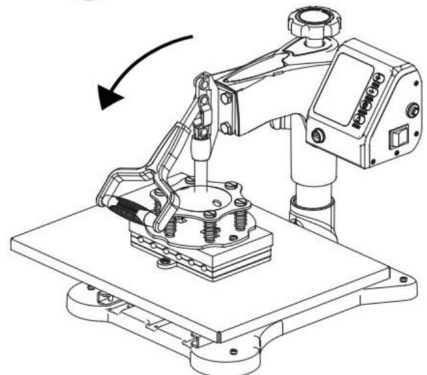
5



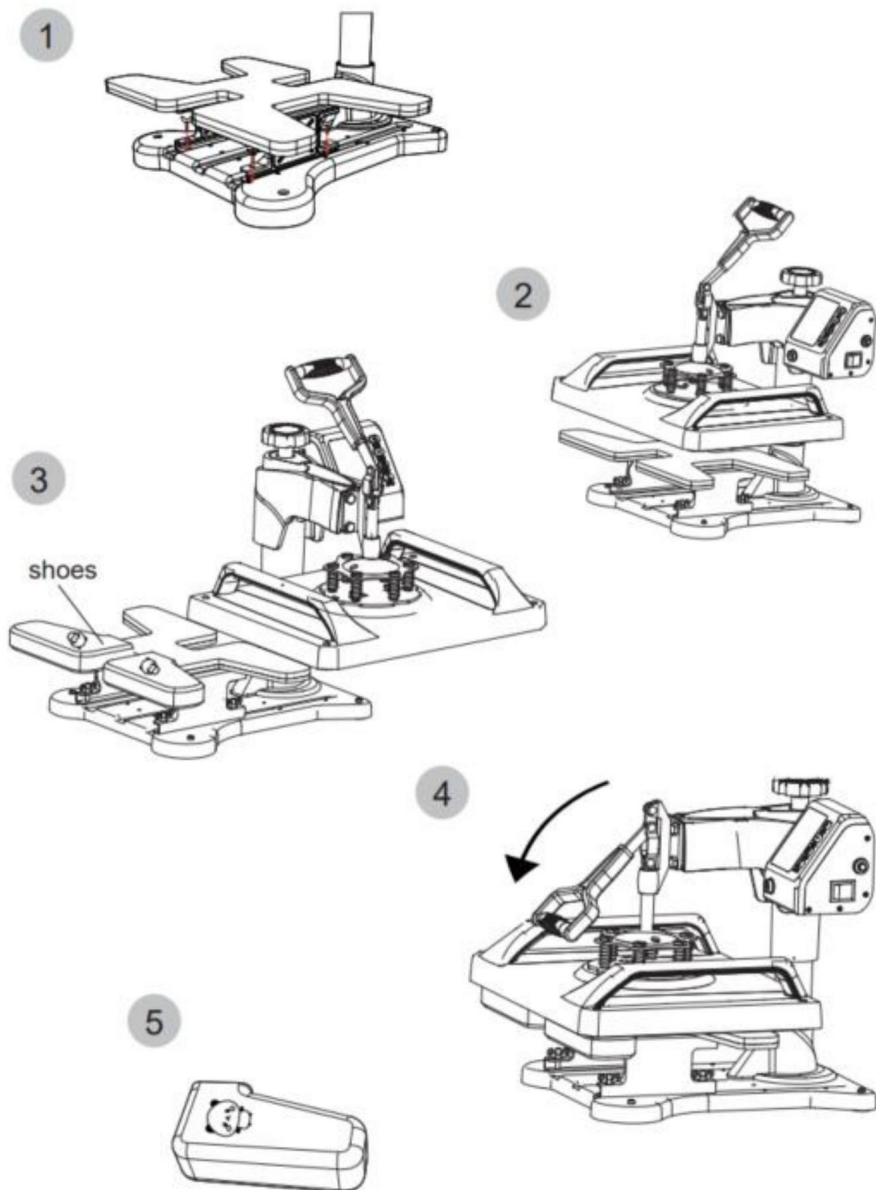
6



7



## SOSTITUIRE LE SCARPE DA FORNO





## TRATTAMENTO DEI DIFETTI DI QUALITÀ NEL TRASFERIMENTO

1. Colore chiaro o immagine sbiadita: temperatura insufficiente / pressione non corretta / Tempo insufficiente.
2. Immagine sfocata: il tempo di pressatura è troppo lungo.
3. Parte del modello è sfocata: il calore non viene distribuito correttamente attraverso la piastra riscaldante, in modo che il tempo di lavoro possa essere aumentato in modo appropriato. Può anche essere la causa di una distribuzione non uniforme della pressione, che può essere impostata su quattro schede regolatori. Si prega di notare che i quattro regolatori di bordo sono stati impostati prima escono dalla fabbrica e normalmente non dovrebbero aver bisogno di regolazioni.
4. Modello debole: pressione o temperatura eccessive.
5. Modello cicatrizzato: il tempo di trasferimento è troppo lungo.
6. Colori diversi del modello: pressione errata o scarsa qualità del trasferimento carta.
7. Motivo bruciato: temperatura elevata o inchiostro di scarsa qualità.

Produttore: Shanghaimuxinmuyeyouxiangongsi

**Indirizzo:** Shuangchenglu 803nong11hao1602A-1609shi, baoshanqu, shanghai 200000 CN.

**Importato in AUS:** SIHAO PTY LTD. 1 ROKEVA STREETEASTWOOD

Nuovo Galles del Sud 2122 Australia

**Importato negli USA:** Sanven Technology Ltd. Suite 250, 9166 Anaheim Luogo, Rancho Cucamonga, CA 91730



E-CrossStu GmbH  
Mainzer Landstr.69, 60329 Francoforte sul Meno.



CONSULENZA YH LIMITATA.  
C/O YH Consulting Limited Ufficio 147, Centurion House,  
Via Roma, 101, 00186 Roma, Italia





**VEVOR**<sup>®</sup>

**TOUGH TOOLS, HALF PRICE**

Supporto tecnico e certificato di garanzia  
elettronica [www.vevor.com/support](http://www.vevor.com/support)

# VEVOR<sup>®</sup>

## TOUGH TOOLS, HALF PRICE

Soporte técnico y certificado de garantía electrónica [www.vevor.com/support](http://www.vevor.com/support)

### MÁQUINA DE PRENSA TÉRMICA

Seguimos comprometidos a brindarle herramientas a precios competitivos.

"Ahorre la mitad", "mitad de precio" o cualquier otra expresión similar que utilicemos solo representa una estimación del ahorro que podría obtener al comprar ciertas herramientas con nosotros en comparación con las principales marcas y no necesariamente significa que cubra todas las categorías de herramientas que ofrecemos. Le recordamos que, al realizar un pedido con nosotros, verifique cuidadosamente si realmente está ahorrando la mitad en comparación con las principales marcas.

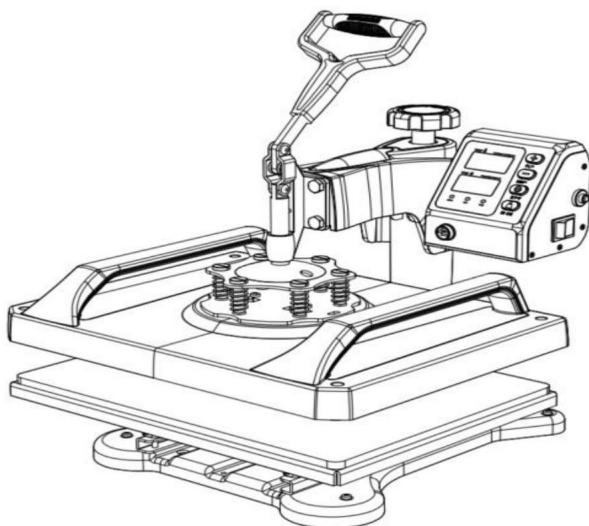


# VEVOR<sup>®</sup>

TOUGH TOOLS, HALF PRICE

MÁQUINA DE PRENSA TÉRMICA

MODELO: TL1215/TL1515






¿NECESITA AYUDA? ¡CONTÁCTENOS!

¿Tiene preguntas sobre el producto? ¿Necesita asistencia técnica? No dude en ponerse en contacto con nosotros:

Soporte técnico y certificado de garantía  
electrónica [www.vevor.com/support](http://www.vevor.com/support)

Estas son las instrucciones originales, lea atentamente todas las instrucciones del manual antes de utilizar el producto. VEVOR se reserva una interpretación clara de nuestro manual de usuario. La apariencia del producto estará sujeta al producto que recibió. Perdónenos por no informarle nuevamente si hay actualizaciones de tecnología o software en nuestro producto.

Símbolo	Descripción del símbolo
	<p>Advertencia: Para reducir el riesgo de lesiones, el usuario debe leer las Lea atentamente el manual de instrucciones.</p>
	<p>Este símbolo, colocado antes de un comentario de seguridad, indica un tipo de precaución, advertencia o peligro. Ignorar esta advertencia puede provocar un accidente. Para reducir el riesgo de lesiones, incendios o electrocución, siga siempre las recomendaciones que se muestran a continuación.</p>
	<p><b>ELIMINACIÓN CORRECTA:</b></p> <p>Este producto está sujeto a las disposiciones de la Directiva Europea 2012/ 19/CE. El símbolo que muestra un contenedor de basura cruzado a través de indica que el producto requiere un contenedor de basura separado recogida en la Unión Europea. Esto se aplica al producto y</p> <p>Todos los accesorios marcados con este símbolo. Productos marcados como</p> <p>Estos no pueden desecharse con la basura doméstica normal, sino</p> <p>Deben llevarse a un punto de recogida para reciclar aparatos eléctricos y dispositivos electrónicos.</p>

## ADVERTENCIA

1. Las advertencias deben seguirse cuidadosamente para evitar lesiones corporales; el uso indebido puede provocar descargas eléctricas, incendios, lesiones personales y otros daños:

- 1) Mantenga desenchufado el aparato al moverlo.
- 2) Manténgalo desenchufado al instalar accesorios.
- 3) Colóquelo sobre una plataforma plana y estable y opere en condiciones ventiladas.
- 4) Utilice equipo de protección especial al operar la máquina.
- 5) No utilice esta máquina en lugares peligrosos.
- 6) No utilice la máquina cuando no esté funcionando correctamente.
- 7) No desmonte ni repare esta máquina.
- 8) No utilice una toma de CA inadecuada.
- 9) No toque la placa calefactora cuando la máquina esté calentando.
- 10) No utilizar en ambientes húmedos ni en contacto con agua. No infiltrar líquido en la máquina para evitar incendios o descargas eléctricas causadas por cortocircuito.
- 11) No utilice una fuente de alimentación que no cumpla con el voltaje nominal.



Una fuente de alimentación que no cumpla con el voltaje especificado puede provocar un incendio o descarga eléctrica. choque.

12) Asegúrese de que la máquina esté conectada a tierra para no causar daños al cuerpo.

13) No toque la varilla giratoria ni la parte del cojinete con los dedos durante el uso.

caso de lesiones.

14) Si la máquina no se utiliza durante un largo tiempo, desenchufe el cable de alimentación. desde el zócalo.

15) No utilice la máquina durante tormentas eléctricas o rayos para evitar daños.

A la máquina.

16) Coloque la máquina de manera uniforme sobre la mesa ignífuga y manténgala alejada de artículos inflamables y explosivos.

17) Deje de usarlo si la máquina emite humo, un olor peculiar, se vuelve ruidosa o se presenta en otras condiciones anormales.

18) Este aparato puede ser utilizado por niños mayores de 8 años y

personas con capacidades físicas, sensoriales o mentales reducidas o con falta de

Experiencia y conocimiento

si han recibido supervisión o instrucciones sobre el uso del

aparato de forma segura y comprenda los peligros que implica. Los niños no deben

Juegue con el aparato. La limpieza y el mantenimiento del usuario no deben ser realizados por

niños sin supervisión

19) Fijación tipo X: Si el cable de alimentación está dañado, debe ser reemplazado por un

Cable o conjunto especial disponible a través del fabricante o de su agente de servicio.

20) Para evitar un peligro debido a un reinicio involuntario del protector térmico,

Este aparato no debe ser alimentado a través de un dispositivo de conmutación externo, como

como temporizador, o conectado a un circuito que se enciende y apaga periódicamente mediante el

utilidad.



**Warning**

Apague la alimentación cuando conecte o desconecte el conector.



## INFORMACIÓN DE LA FCC

**PRECAUCIÓN:** Los cambios o modificaciones no aprobados expresamente por la parte responsable del cumplimiento podría anular la autoridad del usuario para operar el equipo!

Este dispositivo cumple con la Parte 15 de las Normas de la FCC. Su funcionamiento está sujeto a las dos condiciones siguientes:

- 1) Este producto puede causar interferencias dañinas.
- 2) Este producto debe aceptar cualquier interferencia recibida, incluyendo interferencia que pueda causar un funcionamiento no deseado.

**ADVERTENCIA:** Los cambios o modificaciones a este producto no expresamente aprobado por la parte responsable del cumplimiento podría anular la garantía del usuario. autoridad para operar el producto.

**Nota:** Este producto ha sido probado y se ha comprobado que cumple con los límites para un dispositivo digital de Clase B de conformidad con la Parte 15 de las Normas de la FCC. Estos límites están diseñados para proporcionar una protección razonable contra daños. Interferencia en una instalación residencial.

Este producto genera, utiliza y puede irradiar energía de radiofrecuencia y

Si no se instala y utiliza de acuerdo con las instrucciones, puede causar interferencias perjudiciales para las comunicaciones por radio. Sin embargo, no existe garantía que no se produzcan interferencias en una instalación determinada. Si esto El producto causa interferencias dañinas a la radio o televisión.

recepción, que se puede determinar encendiendo y apagando el producto, la

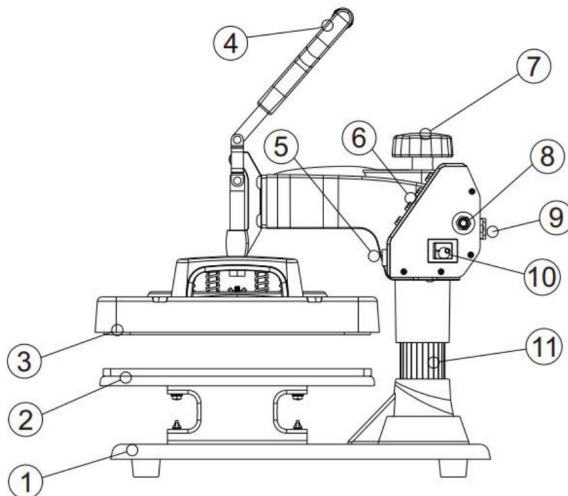
Se recomienda al usuario que intente corregir la interferencia mediante uno o más de los siguientes métodos: siguientes medidas.

- Reorientar o reubicar la antena receptora.
- Aumentar la distancia entre el producto y el receptor.
- Conecte el producto a una toma de corriente de un circuito diferente de aquel al que está conectado. El receptor está conectado.
- Consulte al distribuidor o a un técnico de radio/TV experimentado para obtener ayuda.

## ESPECIFICACIÓN

Modelo	TL1215		TL1515	
Tamaño del calor	12 x 15 pulgadas (29×38cm)		15 x 15 pulgadas (38×38cm)	
Temperatura Rango	32-450 °F (0-232 °C)		32-450 °F (0-232 °C)	
Rango de tiempo	0-999 segundos		0-999 segundos	
Voltaje	120 V ~ 60 Hz	220-240 V~ 50 Hz	120 V ~ 60 Hz	220-240 V~ 50 Hz
Fuerza	900 W	1250 W	1200 W	1250 W

## DESCRIPCIÓN GENERAL DE SU PRENSA TÉRMICA



Número	Nombre de la pieza	Número	Nombre de la pieza
1	Pedestal	7	Perilla de elevación
2	Colocación	8	Protector de sobrecarga
3	Placa calefactora	9	Toma de corriente
4	Manejar	10	Interruptor de encendido
5	Conector de aviación	11	Columna
6	Botón	12	

·La perilla de ajuste de presión controla la cantidad de fuerza que se utilizará para

Empuja la imagen transferida hacia las fibras de la prenda. En el sentido de las agujas del reloj aumenta Presión. En sentido antihorario la disminuye.

·El panel de control en la cara superior derecha de la carcasa es donde configurará el calor.

y los requisitos de tiempo de su proyecto. Estos variarán según el vinilo o Papel de transferencia utilizado.

·El mango abre y cierra las placas calentadas superior e inferior de la prensa giratoria.



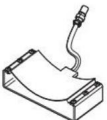

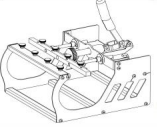
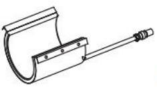
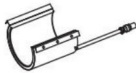
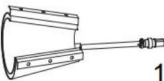
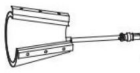


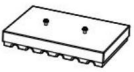
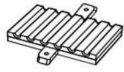
·El protector de sobrecarga es un disyuntor. Saltará cuando haya una sobrecarga de electricidad.



Presiónelo para reiniciar.

·El interruptor de encendido debe estar en la posición de encendido y el cable debe estar enchufado.

Antes de presionar.

PIEZA DE RECAMBIO

 <p>A 1PC</p>	 <p>B 1PC</p>	 <p>C 1PC</p>
 <p>D 1PC</p>	 <p>E 1PC</p>	 <p>F 1PC</p>
 <p>G 1PC</p>	 <p>H 1PC</p>	 <p>I 1PC</p>
 <p>J 1PC</p>	 <p>K 1PC</p>	 <p>L 1PC</p>
 <p>M 1PC</p>		

 <p>1PC</p> <p>A Phillips screwdriver can be turned into a slotted screwdriver by rotating it 180 degrees</p>	 <p>1PC</p>
--	--

	A	B	do	D	mi	F	...	yo	I	yo	K	yo	...
2 en 1			√	√									
5 en 1	√	√	√	√	√	√							
6 en 1	√	√	√	√	√	√	√						
6 en 1	√	√	√	√	√	√					√		
8 en 1	√	√	√	√	√	√	√	√	√				
10 en 1	√	√	√	√	√	√	√	√	√	√		√	√
11 en 1	√	√	√	√	√	√	√	√	√	√	√	√	√

## CÓMO CALIBRAR SU NUEVA PRESNA TÉRMICA

1. Gire la perilla de presión en sentido antihorario unas cuantas veces para reducir la presión en el Platinas.
2. Coloque un trozo de papel en la parte inferior de la platina.
3. Cierre la prensa giratoria utilizando la manija.
4. Tire del papel.
5. Si el papel se mueve, gire la perilla en el sentido de las agujas del reloj e intente nuevamente.
6. Inténtalo de nuevo y repite el proceso hasta que el papel no se mueva en absoluto. Este es tu "Medio" presión.

Desde la configuración "Media", la presión alta se girará en el sentido de las agujas del reloj una o dos veces. Presión baja La presión se girará en sentido antihorario una o dos vueltas. (El número de vueltas variará) Depende del grosor de la prenda.

## AJUSTE DE TEMPERATURA Y TIEMPO

- PLUS
- + MINUS
- ⚙️ SETUP
- 👁️ START




1. ¿Cómo encender/apagar y cómo iniciar?

Presione el botón del interruptor en el costado de la caja de control de temperatura para encenderla.

Botón de inicio de cuenta regresiva, presione una vez para iniciar la cuenta regresiva; presione nuevamente para reiniciar.

2. ¿Cómo configurar la temperatura/hora?

Presione  una vez para configurar la temperatura, presione dos veces para configurar la hora y presione nuevamente para salir. (Saldrá automáticamente del estado de configuración de temperatura/hora en caso de que no haya operación dentro de 5 segundos).

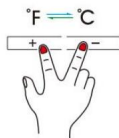
3. ¿Cómo configurar la temperatura/tiempo para aumentar o disminuir?

**+** Establecer el aumento de tiempo/temperatura

**-** Establecer la disminución de tiempo/temperatura

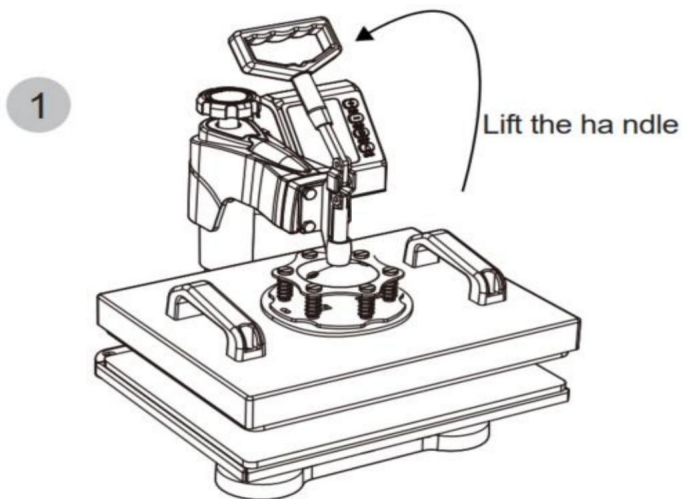
4. ¿Cómo cambiar la unidad de temperatura de a ?

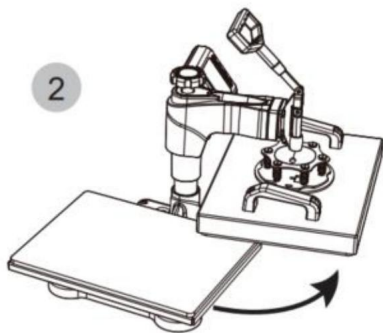
En el estado encendido, presione "+" y "-" al mismo tiempo para cambiar la unidad de temperatura entre y .



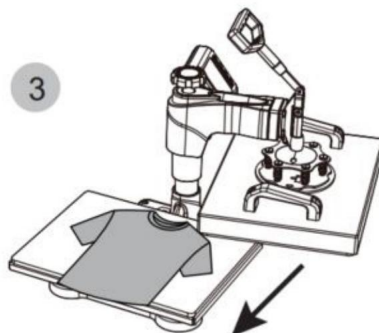
5. Consejos: La temperatura máxima establecida de esta máquina es de 232 °C y el tiempo más largo es de 999 segundos.

## PASOS DE MONTAJE Y USO





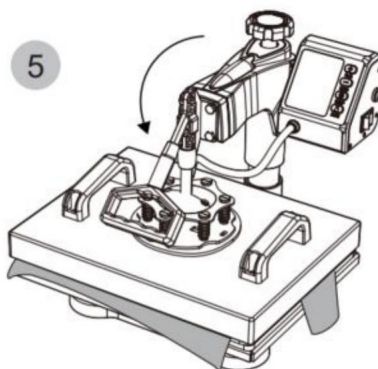
Rotate the heating platen to one side



Pull out the lower panel, place the clothes flat on the platen, and place the pattern on the clothes.



Rotate this switch to adjust pressure



## CONTROLADOR DE TEMPERATURA INTELIGENTE MÉTODO DE OPERACIÓN

### 1. Preparación antes del uso: 1.1

Verifique la conexión entre el enchufe de alimentación y la toma eléctrica del gabinete eléctrico.

¡Asegúrese de operar con un cable de tierra seguro!

1.2 El elemento de prensa de calor debe estar enchufado de forma segura a la máquina antes de encenderla. Conecte el cable eléctrico a la máquina. Enchufe el enchufe eléctrico a la toma de pared. Encienda el interruptor de encendido/apagado.



2. Establecer la temperatura requerida:

Ajuste la temperatura y el tiempo según la siguiente tabla y obtenga los valores específicos.

Ajuste de temperatura y tiempo correspondiente. (La temperatura se mide en Grados Fahrenheit.)

Objeto de prensa	Inicial Temperatura	Más alto Temperatura	Calefacción adecuada (Veces)
Tazas	230	330	40
Azulejos	230	330	40
Tablero de metal	230	330	40
Lámina	230	355	150
Camiseta	230	355	Papel de sublimación: 30-50 s
			Papel para camisetas: 10-20 s

Ajuste de temperatura inicial (rango: 200-450 )

Presione el botón "MODE" UNA VEZ, observe que la "luz de configuración" se pone roja. Luego presione la "tecla más/menos" para configurar la temperatura de calentamiento inicial.

B. Ajuste de temperatura más alta (rango: 93-232 )

Presione el botón "MODE" POR SEGUNDA VEZ; vea la "luz de temperatura"

se pone rojo. Luego presione la "tecla más o menos" para configurar la temperatura más alta. temperatura.

C. Configuración adecuada del tiempo de calentamiento (rango: 0-999 segundos)

Presione el botón "MODE" por TERCERA VEZ; vea que la "luz de tiempo" se pone roja.

Luego presione la "tecla más o menos" para configurar el tiempo de calentamiento adecuado.

D. Fahrenheit a Celsius

Después de encender la máquina de estampación en caliente, presione los botones + y -

simultáneamente durante unos cinco segundos. Cuando se muestre PAE, presione el botón

Tecla MODE para visualizar (FC), y cambiar F a C en el engranaje de visualización de la hora, de modo que Fahrenheit se convierte a Celsius.

3. Termine la configuración y prepárese para trabajar

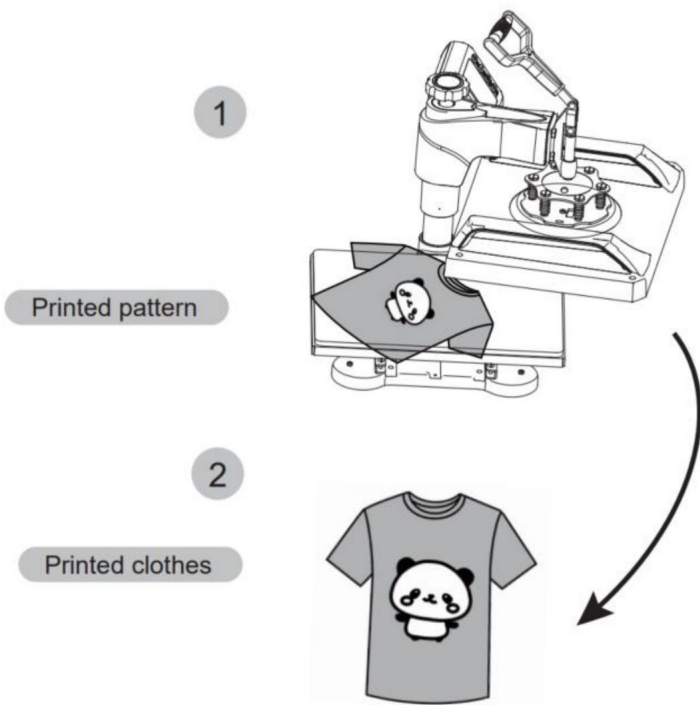
Presione el botón "MODE" por CUARTA VEZ; finalice la configuración, la luz de configuración

está encendido y la temperatura seguirá aumentando. Cuando se alcance el máximo establecido

Cuando se alcanza la temperatura, comienza la cuenta regresiva. Una vez que termina la cuenta regresiva,

Se emitirá un sonido de "BEEF", la luz indicadora se apagará y se finalizará la operación.

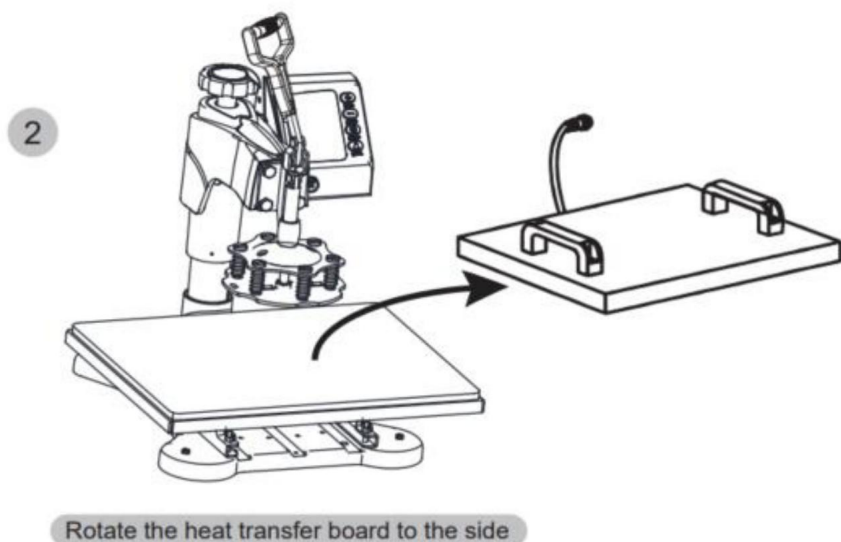
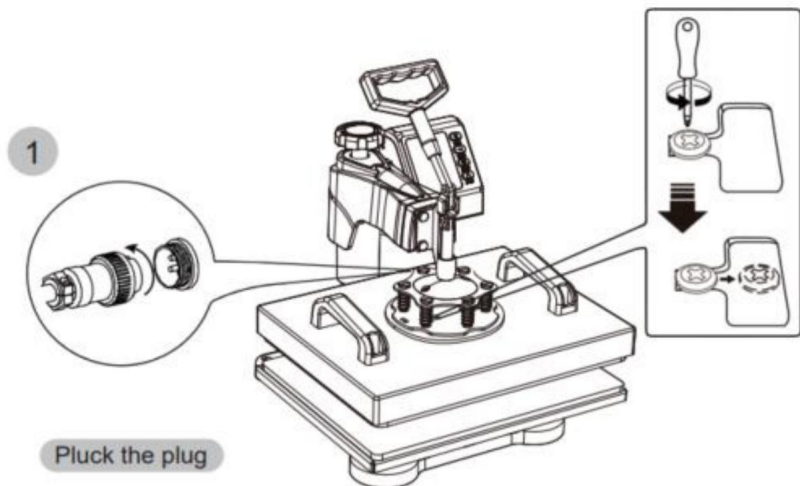
Completo y la máquina está lista para trabajar.



Apague la máquina y saque la esterilla. Se recomienda usar guantes resistentes al calor al quitarse la ropa o quitársela después de 2 o 3 minutos. Tenga cuidado con el calor.

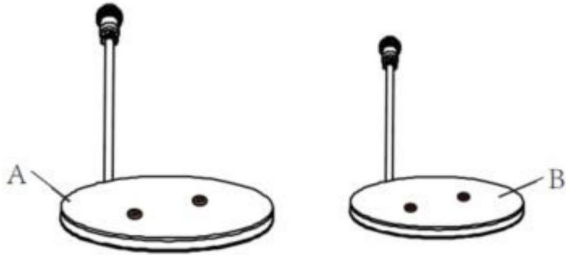
## REEMPLAZO DE LA BANDEJA PARA HORNEADO

Utilice un destornillador Phillips para desatornillar los tornillos en los dos orificios de la placa de presión para reemplazar los accesorios.



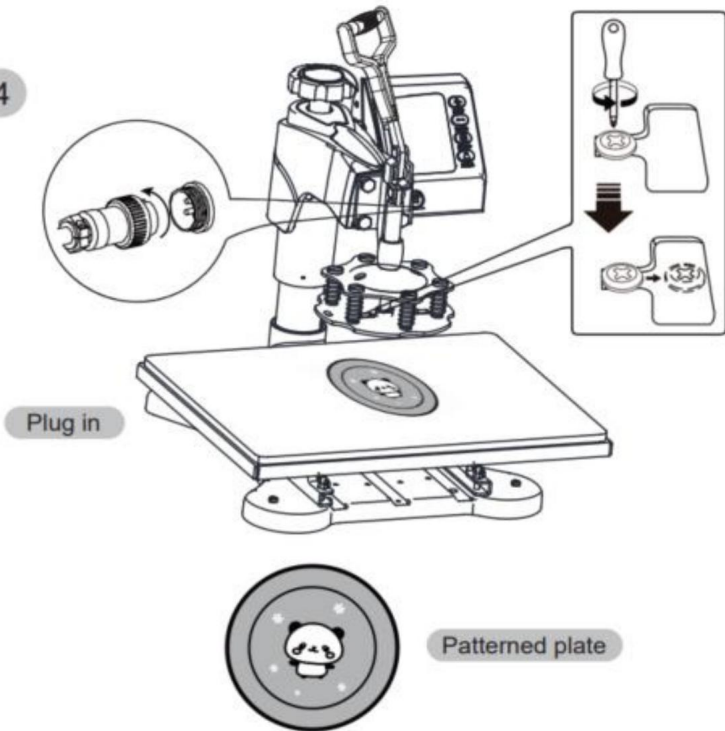
SUSTITUIR CON UNA PRENSA DE PLACA

3



Select the appropriate size daking pan mat(Part A or B)

4

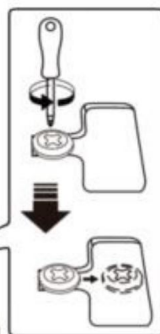


REEMPLAZO DE LA ALFOMBRA DE LA TAPA DE RESPALDO

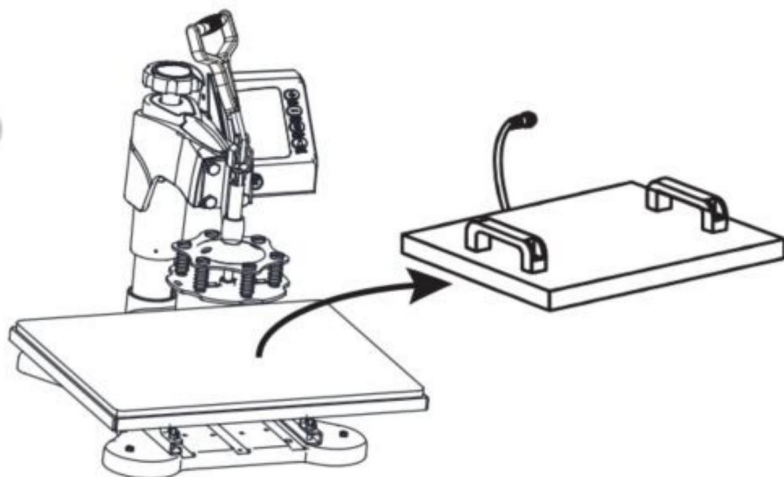
1



Pluck the plug



2

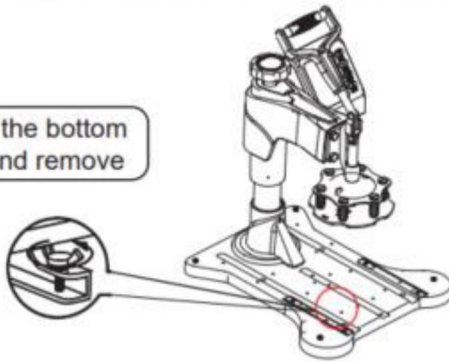


Rotate the heat transfer board to the side

3

Unscrew the four butterfly screws at bottom

Loosen the bottom screw and remove



Lift the cushion up

4

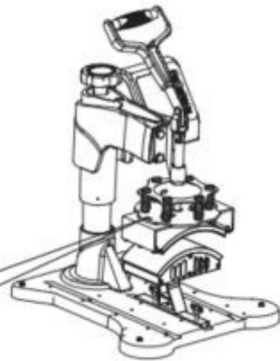
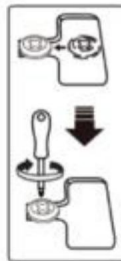


Install the backing pad (part 4)

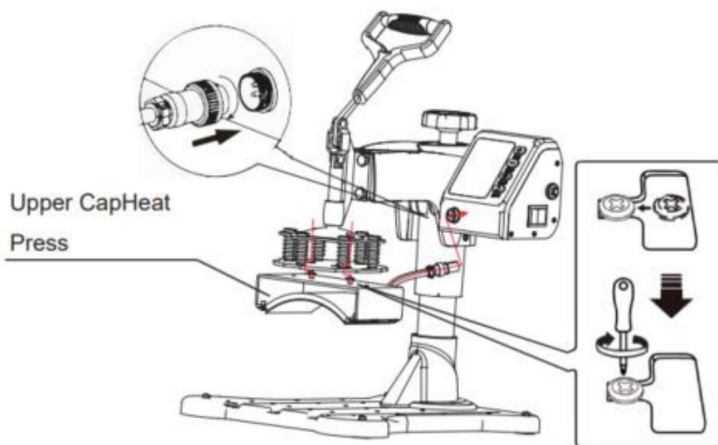
5



6



Use the screwdriver 4 to tighten the 2 screws just removed and put the cap on



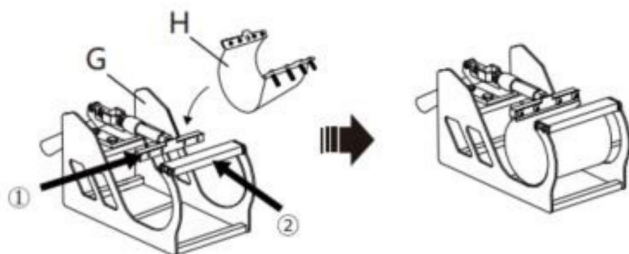
1. Tome 2 tornillos de cabeza ahuecada y fíjelos en el orificio en el medio de la prensa de tapa. No fije los tornillos de cabeza ahuecada, deje 5-7 mm, luego coloque el tornillo de cabeza ahuecada en la ranura a lo largo de la ruta indicada y fíjelo con un destornillador. Inserte la cabeza macho del tapón de la prensa de tapa en la cabeza hembra del controlador y ajuste la tuerca.



Shaped hat

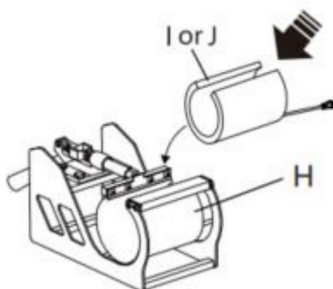
## REEMPLAZO DEL POSAVASOS DE RESPALDO

1

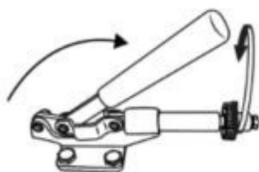


Install H to Part G.  
 (Tighten the screws on both sides.  
 We suggest to tighten the screws on the ① side first, and then tighten the screws on the ② side)

Select the appropriate  
 size backing coaster  
 (Part I or J) Put the cup  
 in Part H.



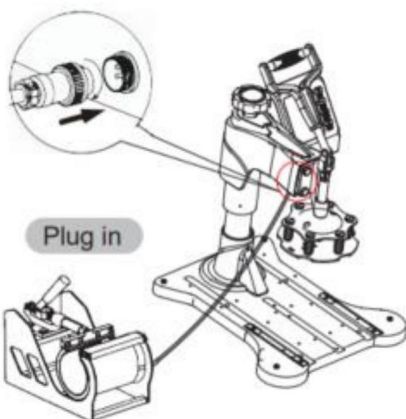
2



Adjust the tightness



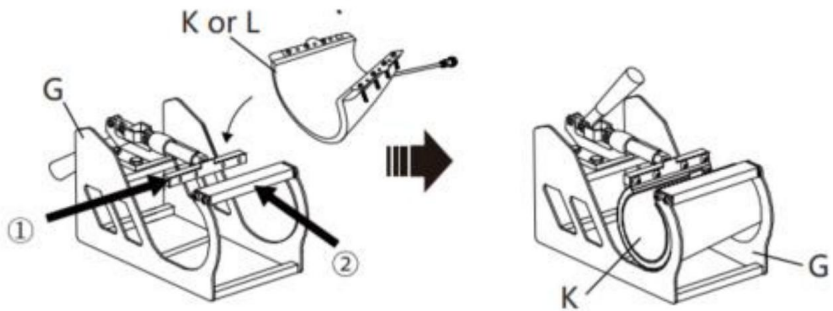
Shaped cup



Plug in



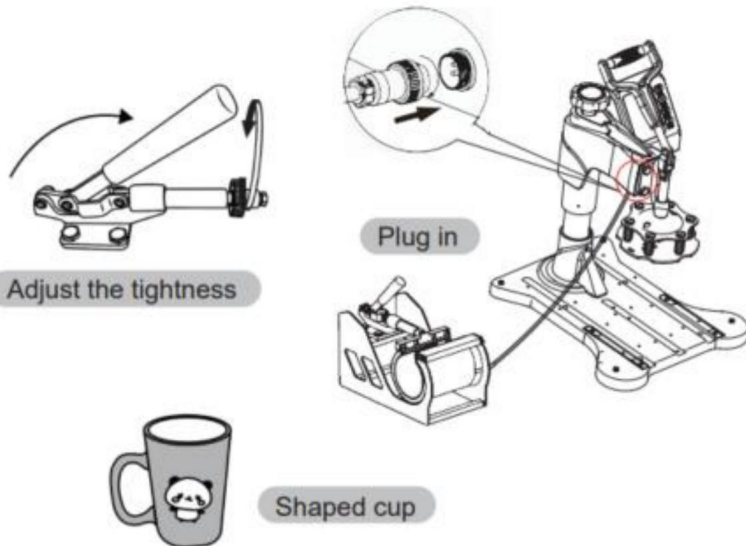
1



And install K or L to Part G.  
(Tighten the screws on both  
sides. We suggest to tighten  
the screws on the ① side  
first, and then tighten the  
screws on the ② side)

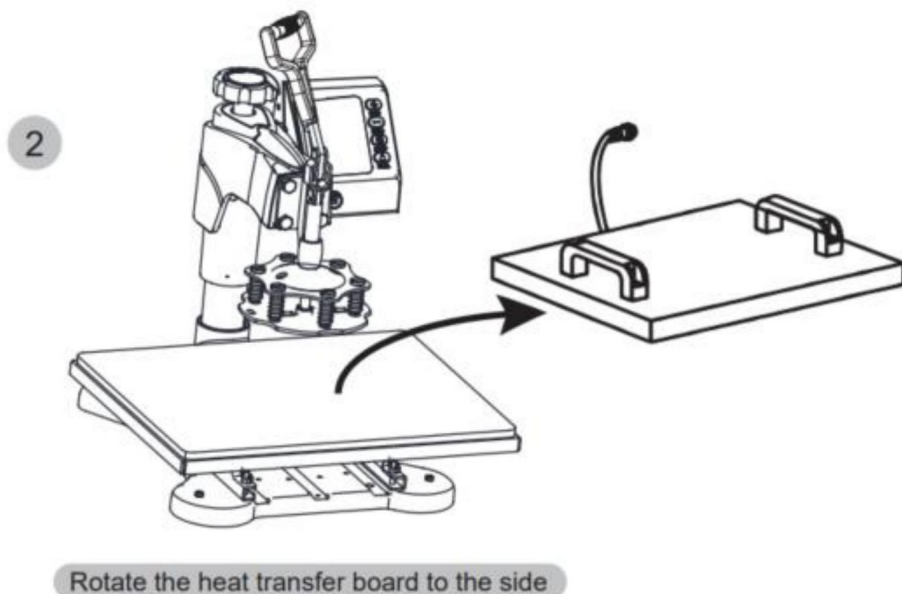
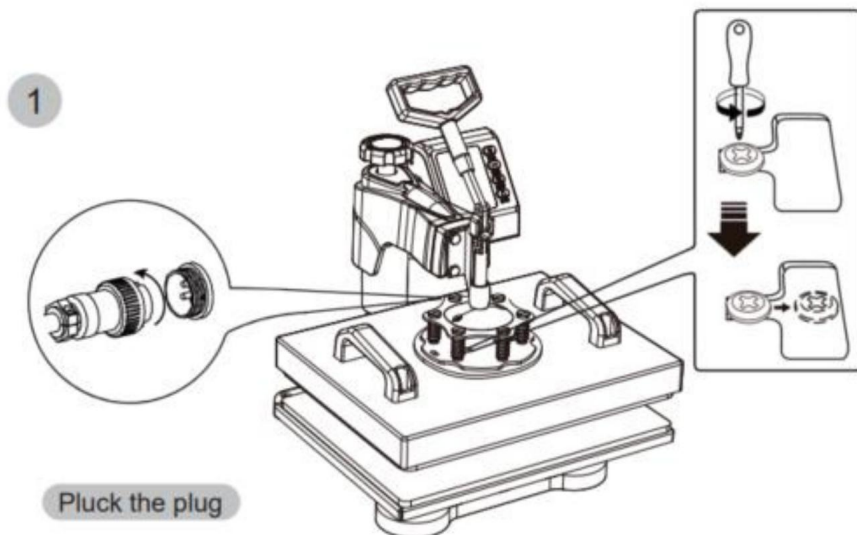
Put the cup in Part G

2

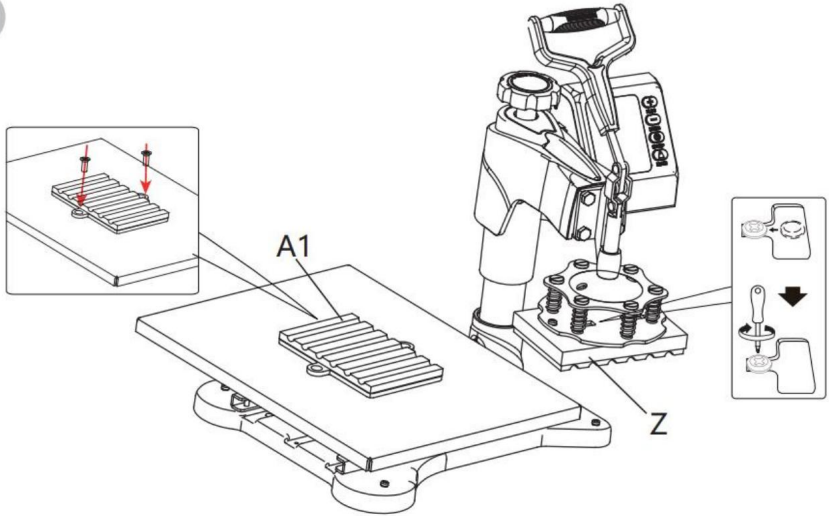


REEMPLAZO DEL LÁPIZ PARA HORNEAR

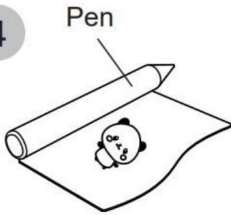
Utilice un destornillador Phillips para desatornillar los tornillos en los dos orificios de la placa de presión para reemplazar los accesorios.



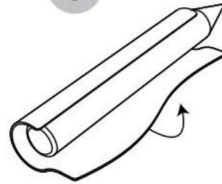
3



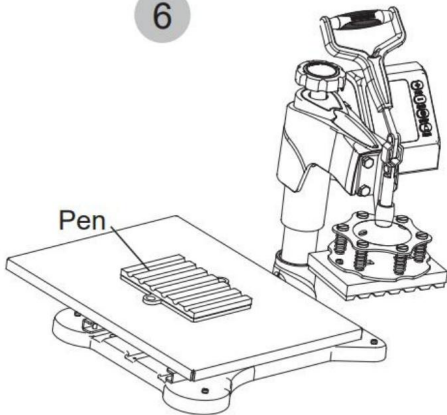
4



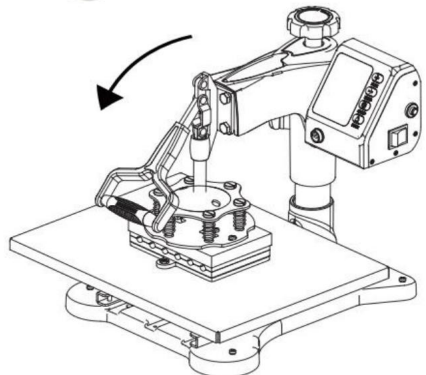
5



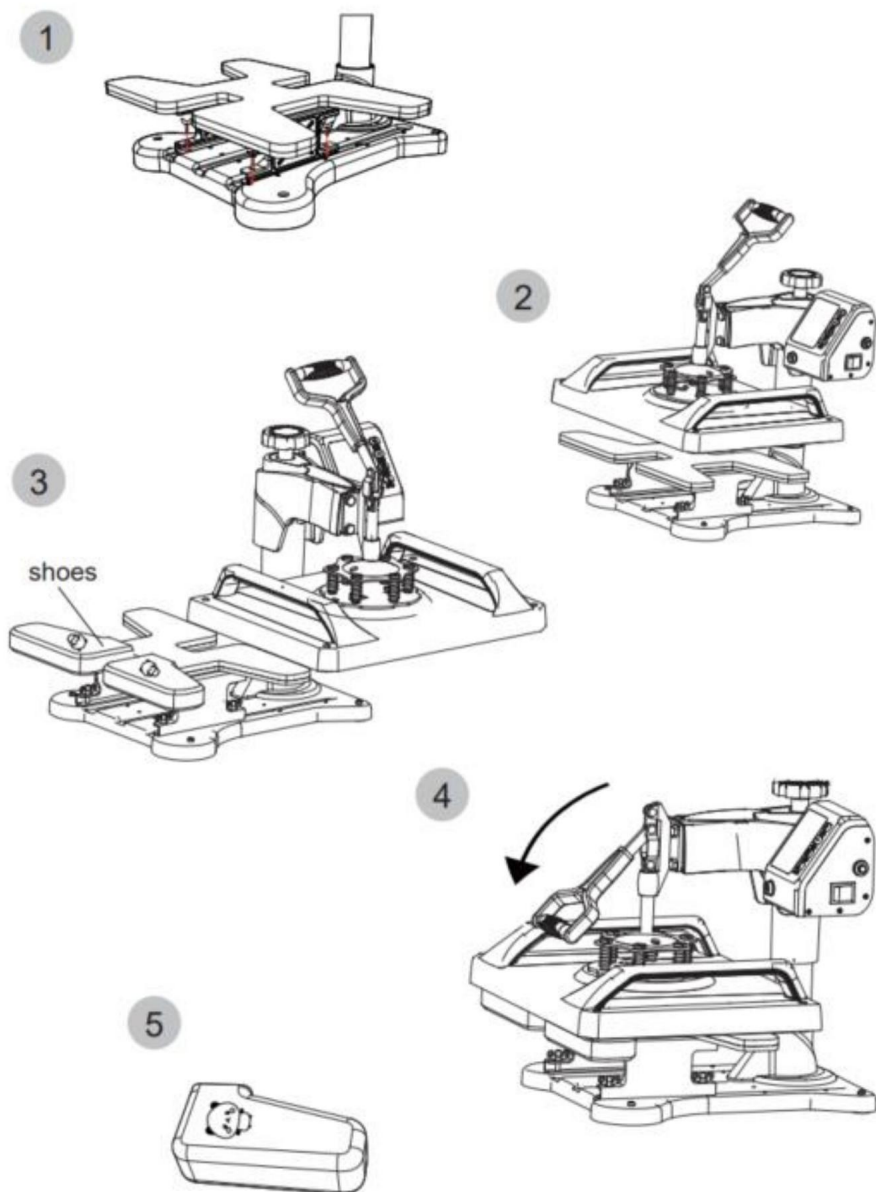
6



7



REEMPLAZO DE ZAPATAS PARA HORNEADO



## TRATAMIENTO DE DEFECTOS DE CALIDAD EN LA TRANSFERENCIA

1. Color claro o imagen descolorida: Temperatura insuficiente / Presión incorrecta / Tiempo insuficiente.
2. Imagen borrosa: el tiempo de presión es demasiado largo.
3. Parte del patrón borrosa: el calor no se distribuye correctamente a través de la placa calefactora, por lo que el tiempo de trabajo se puede aumentar adecuadamente. También puede ser la causa de una distribución desigual de la presión, que se puede establecer en cuatro placas reguladores. Tenga en cuenta que los cuatro reguladores de la placa se han configurado antes Salen de fábrica y no debería ser necesario ajustarlos normalmente.
4. Patrón oscuro: Demasiada presión o temperatura.
5. Patrón con cicatrices: el tiempo de transferencia es demasiado largo.
6. Diferentes colores de patrones: presión incorrecta o mala calidad de transferencia papel.
7. Patrón quemado: Alta temperatura o tinta de mala calidad.

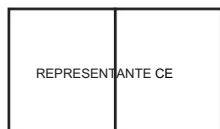
Fabricante: Shanghaimuxinmuyeyouxiangongsi

Dirección: Shuangchenglu 803nong11hao1602A-1609shi, baoshanqu, shanghai 200000 CN.

Importado a Australia: SIHAO PTY LTD. 1 ROKEVA STREETEASTWOOD

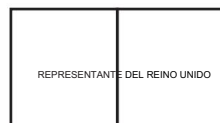
Nueva Gales del Sur 2122 Australia

Importado a EE. UU.: Sanven Technology Ltd. Suite 250, 9166 Anaheim Lugar, Rancho Cucamonga, CA 91730



E-CrossStu GmbH

Mainzer Landstr.69, 60329 Fráncfort del Meno.



YH CONSULTING LIMITADA.

C/O YH Consulting Limited Oficina 147, Centurion House,

Carretera de Londres, Staines-upon-Thames, Surrey, TW18 4AX





**VEVOR**®

**TOUGH TOOLS, HALF PRICE**

Soporte técnico y certificado de garantía  
electrónica [www.vevor.com/support](http://www.vevor.com/support)



# **VEVOR<sup>®</sup>**

## **TOUGH TOOLS, HALF PRICE**

Teknisk support och e-garanticertifikat [www.vevor.com/support](http://www.vevor.com/support)

## **VÄRMEPRESSMASKIN**

Vi fortsätter att vara engagerade i att ge dig verktyg till konkurrenskraftiga priser.

"Spara hälften", "halva priset" eller andra liknande uttryck som används av oss representerar bara en uppskattning av besparingar du kan dra nytta av att köpa vissa verktyg hos oss jämfört med de stora toppmärkena och betyder inte nödvändigtvis att täcka alla kategorier av verktyg som erbjuds av oss. Du påminns vänligen om att noggrant kontrollera när du gör en beställning hos oss om du faktiskt sparar hälften i jämförelse med de främsta stora varumärkena.

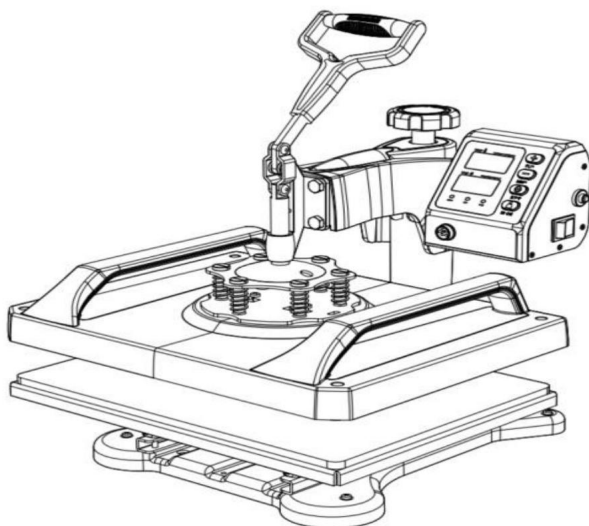


# VEVOR®

TOUGH TOOLS, HALF PRICE

VÄRMEPRESSMASKIN

MODELL: TL1215/TL1515




## BEHÖVER HJÄLP? KONTAKTA OSS!

Har du produktfrågor? Behöver du teknisk support? Kontakta oss gärna:

**Teknisk support och e-garanticertifikat**  
**[www.vevor.com/support](http://www.vevor.com/support)**

Detta är den ursprungliga instruktionen, läs alla instruktioner noggrant innan du använder den. VEVOR reserverar sig för en tydlig tolkning av vår användarmanual. Utseendet på produkten är beroende av den produkt du fått. Ursäkta oss att vi inte kommer att informera dig igen om det finns någon teknik eller mjukvaruuppdateringar på vår produkt.

Symbol	Symbol Beskrivning
	<p><b>Varning:</b> För att minska risken för skador måste användaren läsa bruksanvisningen noggrant.</p>
	<p>Denna symbol, placerad före en säkerhetskommentar, indikerar ett slags försiktighetsåtgärd, varning eller fara. Att ignorera denna varning kan leda till en olycka. För att minska risken för skada, brand eller elstöt, följ alltid rekommendationerna nedan.</p>
	<p><b>KORREKT AVFALLSHANTERING:</b></p> <p>Denna produkt omfattas av bestämmelserna i det europeiska direktivet 2012/19/EG. Symbolen som visar en soptunna korsad genom indikerar att produkten kräver separat avfall insamling i Europeiska unionen. Detta gäller produkten och alla tillbehör märkta med denna symbol. Produkter märkta som sådant får inte slängas med vanligt hushållsavfall, men måste lämnas till en samlingsplats för återvinning av elektriska och elektroniska apparater.</p>

## VARNING

1. Varningar måste följas noggrant för att undvika kroppsskador, felaktig användning kan eventuellt resultera i elektriska stötar, brand, personskador och andra skador:

- 1) Dra ut kontakten när du flyttar maskinen.
- 2) Håll ur kontakten när du installerar tillbehör.
- 3) Placera på en stabil plattform och arbeta under ventilerade förhållanden.
- 4) Bär speciell skyddsutrustning när du använder maskinen.
- 5) Använd inte denna maskin på en farlig plats.
- 6) Använd inte när maskinen inte fungerar som den ska.
- 7) Ta inte isär och reparera denna maskin.
- 8) Använd inte ett olämpligt eluttag.
- 9) Rör inte vid värmeplattan när maskinen värms upp.
- 10) Använd inte i fuktig miljö eller kontakt med vatten. Infiltrera inte vätska i maskinen för att förhindra brand eller elektriska stötar orsakade av kortslutning.
- 11) Använd inte en strömkälla som inte uppfyller märkspänningen. Strömmen

strömförsörjning som inte uppfyller den specificerade spänningen kan orsaka brand eller elchock.

12) Se till att maskinen är jordad för att inte skada kroppen.

13) Rör inte den roterande stången eller lagerdelen med fingrarna under användning i fall av skador.

14) Om maskinen inte används under en längre tid, vänligen koppla ur nätsladden från uttaget.

15) Använd inte maskinen under åskväder eller belysning för att undvika skador till maskinen.

16) Placera maskinen smidigt på det flamskyddade bordet och håll undan från brandfarliga och explosiva föremål.

17) Vänligen sluta använda den om maskinen ryker, avger en märklig lukt, eller blir bullrig och under andra onormala förhållanden.

18) Denna apparat kan användas av barn från 8 år och uppåt och personer med nedsatt fysisk, sensorisk eller mental förmåga eller brist på erfarenhet och kunskap

om de har fått tillsyn eller instruktioner om användningen av apparaten på ett säkert sätt och förstå de risker som är involverade. Barn ska inte leka med apparaten. Rengöring och användarunderhåll får inte utföras av barn utan tillsyn

19) Typ X-tillbehör: Om nätsladden är skadad måste den bytas ut mot en specialsladd eller montering tillgänglig från tillverkaren eller dess servicerepresentant.

20) För att undvika en fara på grund av oavsiktlig återställning av termoskyddet, denna apparat får inte försörjas via en extern omkopplingsanordning, t.ex. som en timer, eller ansluten till en krets som regelbundet slås på och av av nytta.



**Warning**

Stäng av strömmen när du ansluter eller kopplar ur kontakten



## FCC-INFORMATION

**WARNING:** Ändringar eller modifieringar som inte uttryckligen godkänts av parten ansvarig för efterlevnad kan ogiltigförklara användarens behörighet att använda utrustning!

Denna enhet uppfyller del 15 av FCC-reglerna. Drift är föremål till följande två villkor:

- 1) Denna produkt kan orsaka skadliga störningar.
- 2) Denna produkt måste acceptera alla mottagna störningar, inklusive störningar som kan orsaka oönskad funktion.

**WARNING:** Ändringar eller modifieringar av denna produkt inte uttryckligen godkänd av den part som ansvarar för efterlevnaden kan ogiltigförklara användarens behörighet att använda produkten.

**Obs:** Denna produkt har testats och befunnits uppfylla gränsvärdena för en klass B digital enhet i enlighet med del 15 av FCC-reglerna. Dessa gränser är utformade för att ge rimligt skydd mot skadliga störningar i en bostadsinstallation.

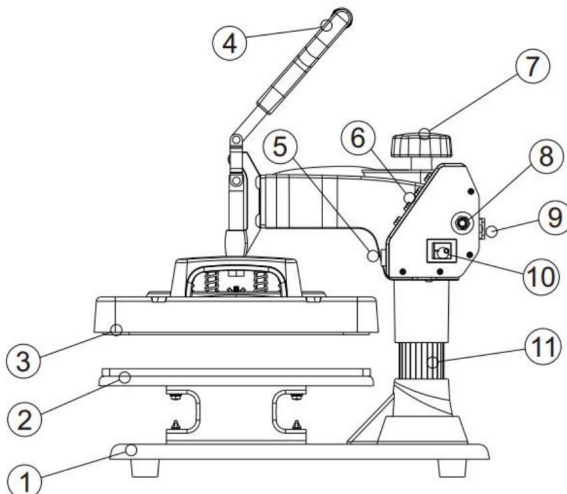
Denna produkt genererar, använder och kan utstråla radiofrekvensenergi, och om den inte installeras och används i enlighet med instruktionerna, kan orsaka skadliga störningar på radiokommunikation. Det finns dock ingen garanterat att störningar inte kommer att inträffa i en viss installation. Om detta produkten orsakar skadliga störningar på radio eller TV mottagning, vilket kan bestämmas genom att stänga av och på produkten användaren uppmanas att försöka korrigera störningen av en eller flera av de följande åtgärder.

- Rikta om eller flytta mottagningsantennen.
- Öka avståndet mellan produkten och mottagaren.
- Anslut produkten till ett uttag på en annan krets än den till vilken mottagaren är ansluten.
- Kontakta återförsäljaren eller en erfaren radio/TV-tekniker för hjälp.

## SPECIFIKATION

<b>Modell</b>	<b>TL1215</b>		<b>TL1515</b>	
<b>Värmestorlek</b>	<b>12x15 tum (29x38cm)</b>		<b>15x15tum (38x38cm)</b>	
<b>Temperatur</b> <b>Räckvidd</b>	<b>32–450°F (0–232 ¨y)</b>		<b>32–450°F (0–232 ¨y)</b>	
<b>Tidsintervall 0-999 sekunder</b>			<b>0-999 sekunder</b>	
<b>Spänning</b>	<b>120V~ 60Hz</b>	<b>220-240V~ 50 Hz</b>	<b>120V~ 60Hz</b>	<b>220-240V~ 50 Hz</b>
<b>Driva</b>	<b>900W</b>	<b>1250W</b>	<b>1200W</b>	<b>1250W</b>

## ÖVERSIKT ÖVER DIN VÄRMEPRESS



Antal	Delnamn	Antal	Delnamn
1	Piedestal	7	Lyft vredet
2	Placering	8	Överbelastningsskydd
3	Värmeplatta	9	Eluttag
4	Hantera	10	Strömbrytare
5	Flygkontakt	11	Kolumn
6	Knapp	12	

· Tryckjusteringsratten styr mängden kraft som kommer att användas till

tryck in den överförda bilden i plaggets fibrer. Medurs ökar tryck. Moturs minskar den.

· Kontrollpanelen på den högra övre sidan av höljet är där du ställer in värmen

och tidskrav för ditt projekt. Dessa kommer att variera beroende på vinyl eller överföringspapper som används.

· Handtaget öppnar och stänger de övre och nedre uppvärmda plattorna på rotationspressen.

· Överbelastningsskyddet är en brytare. Det kommer att dyka ut när det finns en överbelastning av elektricitet.



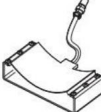

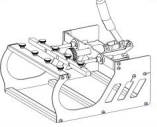
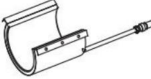
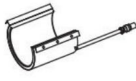
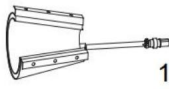
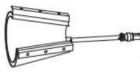


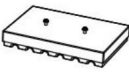
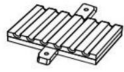
Tryck in den för att återställa.



· Strömbrytaren måste vara inställd på på-läget och sladden måste vara ansluten

innan du trycker.



## RESERVDL

<p>A</p>  <p>1PC</p>	<p>B</p>  <p>1PC</p>	<p>C</p>  <p>1PC</p>
<p>D</p>  <p>1PC</p>	<p>E</p>  <p>1PC</p>	<p>F</p>  <p>1PC</p>
<p>G</p>  <p>1PC</p>	<p>H</p>  <p>1PC</p>	<p>I</p>  <p>1PC</p>
<p>J</p>  <p>1PC</p>	<p>K</p>  <p>1PC</p>	<p>L</p>  <p>1PC</p>
<p>M</p>  <p>1PC</p>		

 <p>1PC</p> <p>A Phillips screwdriver can be turned into a slotted screwdriver by rotating it 180 degrees</p>	 <p>1PC</p>
--	--

	A	B	C	D	E	F	G	H		J	K	L	M
2 i 1			ÿ	ÿ									
5 i 1	ÿ	ÿ	ÿ	ÿ	ÿ	ÿ							
6 i 1ÿ	ÿ	ÿ	ÿ	ÿ	ÿ	ÿ	ÿ						
6 i 1ÿ	ÿ	ÿ	ÿ	ÿ	ÿ	ÿ					ÿ		
8 i 1	ÿ	ÿ	ÿ	ÿ	ÿ	ÿ	ÿ	ÿ	ÿ				
10 i 1	ÿ	ÿ	ÿ	ÿ	ÿ	ÿ	ÿ	ÿ	ÿ	ÿ		ÿ	ÿ
11 i 1	ÿ	ÿ	ÿ	ÿ	ÿ	ÿ	ÿ	ÿ	ÿ	ÿ	ÿ	ÿ	ÿ

## HUR DU KALIBRERAR DIN NYA VÄRMEPRESS

1. Vrid tryckknappen moturs några gånger för att sänka trycket på plattor.
  2. Placera ett papper på botten av valsens.
  3. Stäng rotationspressen med handtaget.
  4. Dra i papperet.
  5. Om papperet alls rör sig, vrid ratten medurs och försök igen.
  6. Försök igen och upprepa tills papperet inte rör sig alls. Det här är ditt "medium" tryck.
- Från "Medium"-inställningen kommer högt tryck att vara medurs ett till två varv trycket kommer att vara moturs ett till två varv. (Antalet varv kommer beror på plaggets tjocklek.

## STÄLLA IN TEMPERTUR OCH TID

- PLUS
- + MINUS
- ⚙️ SETUP
- 👉 START



### 1) Hur sätter man på/stänger av och hur man börjar?

Tryck på omkopplarknappen på sidan av temperaturkontrollboxen för att slå på den.

Startknapp för nedräkning, tryck en gång för att starta nedräkningen; tryck igen för att återställa.

### 2) Hur ställer jag in temperaturen/tiden?

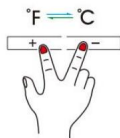
Tryck en gång för att ställa in temperaturen, tryck två gånger för att ställa in tiden och tryck igen att gå ur. (Den kommer automatiskt att lämna inställningsläget för temperatur/tid i händelse av nej drift inom 5 sekunder).

### 3) Hur ställer jag in temperaturen/tiden för att öka eller minska?

- +** Ställ in tiden/temperaturökningen
- Ställ in tid/temperaturminskning

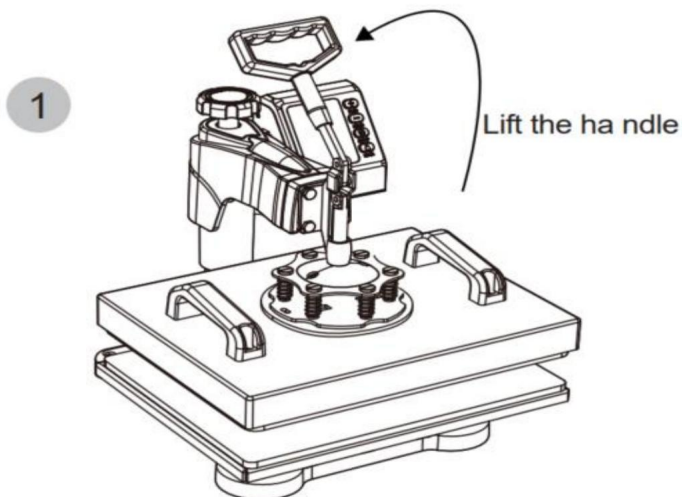
### 4) Hur ändrar man temperaturenheten från °F till °C?

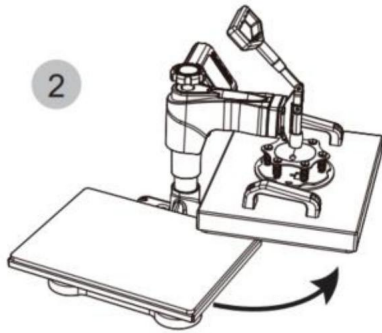
I strömtillståndet trycker du på "+" och "-" samtidigt för att ändra temperaturenheten mellan °F och °C.



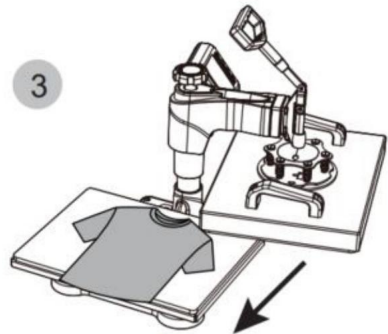
5. Tips: Det max. inställd temperatur för denna maskin är 232°C och den längsta tiden är 999 sek.

## MONTERING OCH ANVÄNDNINGSTEG

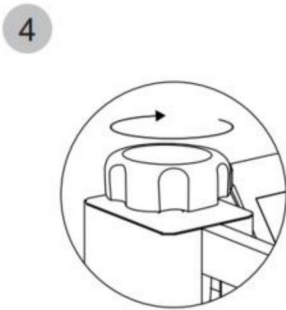




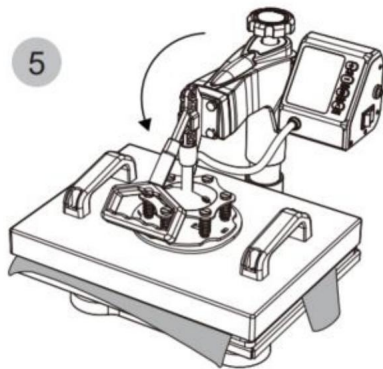
Rotate the heating platen to one side



Pull out the lower panel, place the clothes flat on the platen, and place the pattern on the clothes.



Rotate this switch to adjust pressure



## INTELLIGENT TEMPERATURREGLERING DRIFSMETOD

### 1.Förberedelser före användning:

1.1 Kontrollera anslutningen mellan nätkontakten och eluttaget på elskåpet.

Se till att arbeta med säker jordledning!!!

1.2 Värmpresselementet måste vara ordentligt anslutet till maskinen innan du sätter på maskinen. Anslut din elektriska sladd till maskinen. Sätt i eluttaget i väggkontakten. Slå på/av-knappen på.

**2. Inställd temperatur krävs:**

Ställ in temperaturen och tiden enligt tabellen nedan och få det specifika motsvarande temperatur och tidsinställning. (Temperaturen mäts i grader Fahrenheit.)

Tryck på objekt	Första Temperatur	Högsta Temperatur	Korrekt uppvärmning tid(er)
Muggar	230	330	40
Kakel	230	330	40
Metallbräda	230	330	40
Tallrik	230	355	150
T-shirt	230	355	Sublimationspapper:30-50s
			T-shirt papper:10-20s

Initial temperaturinställning (intervall:200-450°)

Tryck på "MODE"-knappen EN GÅNG, se "inställningslampan" bli röd. Tryck sedan på "plus/ minus-knappen" för att ställa in den initiala uppvärmningstemperaturen.

B. Högsta temperaturinställning (intervall: 93-232 °)

Tryck på "MODE"-knappen för ANDRA GÅNGEN; se "temperaturlampan" blir röd. Tryck sedan på "plus- eller minusknappen" för att ställa in högsta värme temperatur.

C. Korrekt inställning av uppvärmningstid (intervall: 0-999 sek.)

Tryck på "MODE"-knappen för TREDJE GÅNGEN; se "tidslampan" bli röd.

Tryck sedan på "plus- eller minusknappen" för att ställa in rätt uppvärmningstid.

D. Fahrenheit till Celsius

Efter att ha slagit på varmtstämpningsmaskinen, tryck på + och - knapparna

samtidigt i cirka fem sekunder. När PAE visas, tryck på

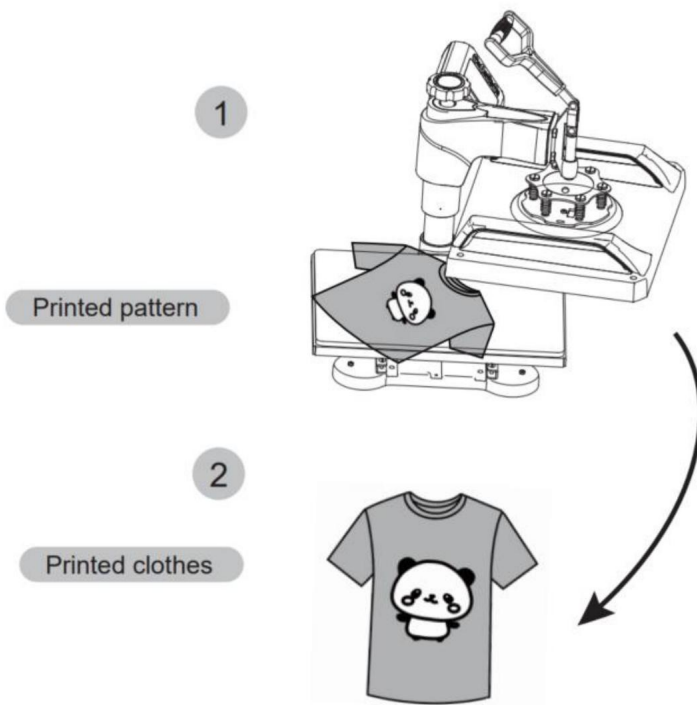
MODE-knappen för att visa (FC), och ändra F till C i tidsvisningsväxeln, så att Fahrenheit omvandlas till Celsius.

**3. Avsluta inställningen och standby till arbete**

Tryck på "MODE"-knappen för FJÄRDE GÅNGEN; avsluta inställningen, det inställda ljuset är på och temperaturen kommer att fortsätta att stiga. När det inställda max temperaturen uppnås, startar nedräkningen. Efter att nedräkningen är slut

"BEEF" ljud kommer att avges, indikatorlampan släcks och driften är

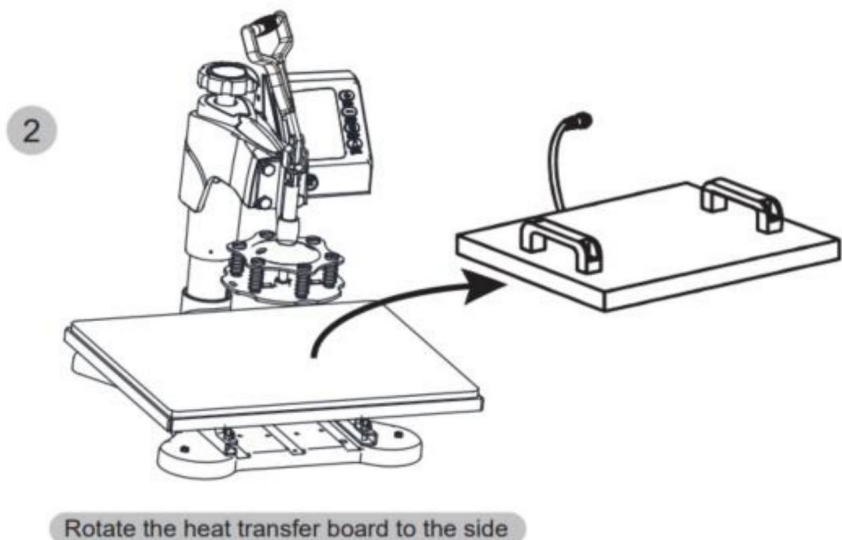
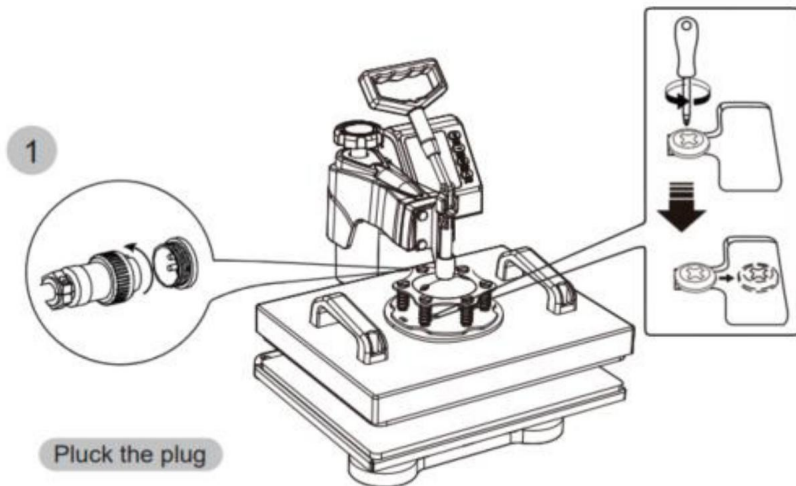
komplett, och maskinen står redo för att arbeta.



Stäng av strömmen och dra ut mattan. Det rekommenderas att bära värmebeständiga handskar när du tar av kläder eller ta av dem efter 2-3 minuter. Var försiktig med het värme.

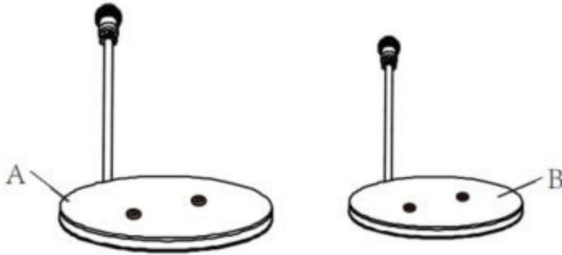
## BYT BAKBÄTTMATTAN

Använd en stjärnskruvmejsel för att skruva loss skruvarna i de två hålen på tryckplattan för att byta ut tillbehören.



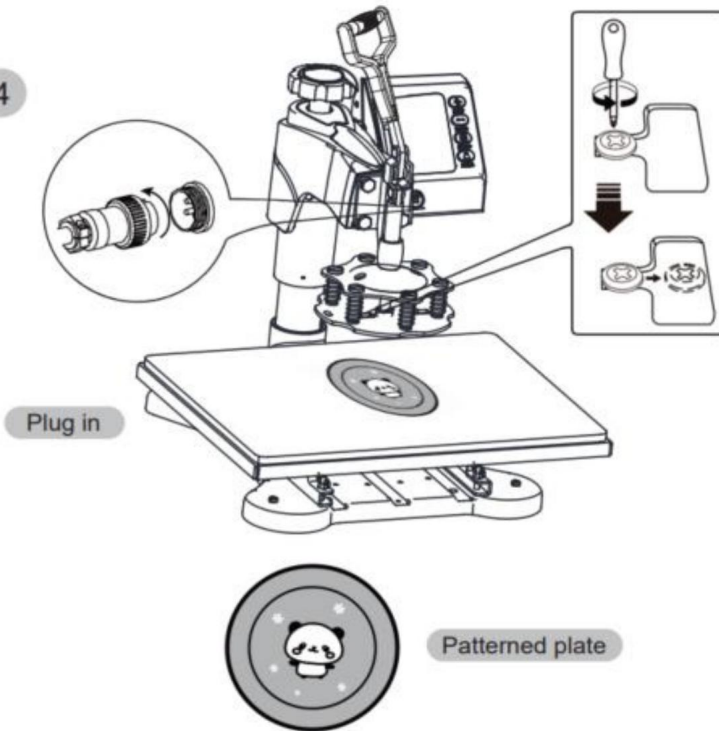
## BYT TILL EN PLATTPRESS

3



Select the appropriate size daking pan mat(Part A or B)

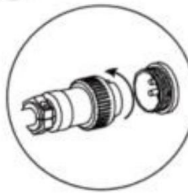
4



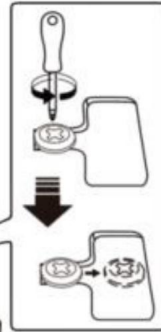


## BYT MATTA FÖR BRYGGKÖPS

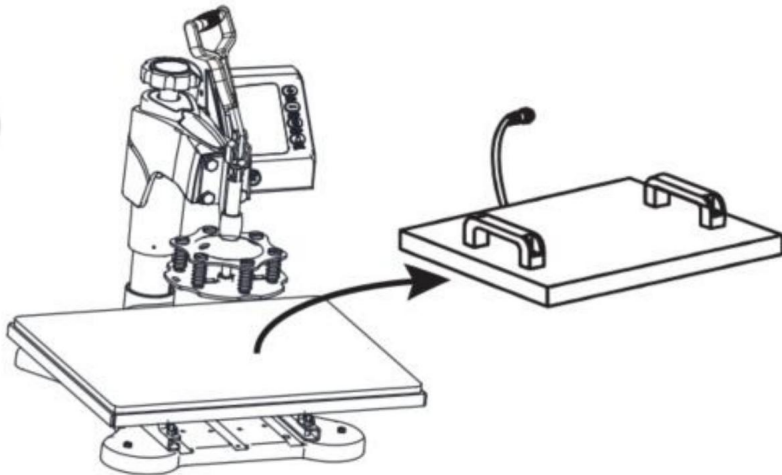
1



Pluck the plug



2

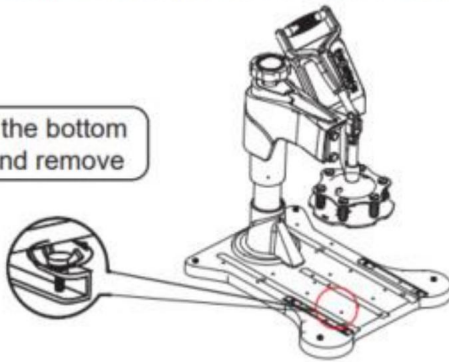


Rotate the heat transfer board to the side

3

Unscrew the four butterfly screws at bottom

Loosen the bottom screw and remove



Lift the cushion up

4

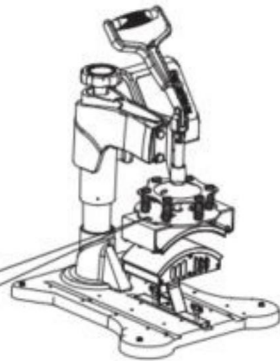
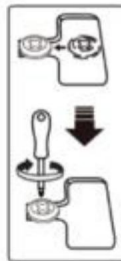


5

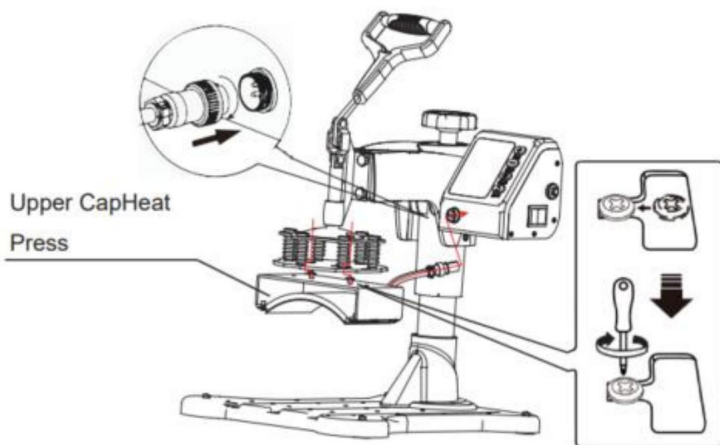


Install the backing pad (part 4)

6



Use the screwdriver 4 to tighten the 2 screws just removed and put the cap on



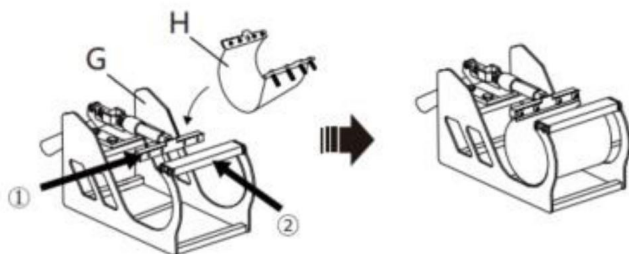
1. Ta 2 kopparskruvar och lås dem i hålet i mitten av lockpressen. Lås inte kopphuvudets skruvar, lämna kvar 5-7 mm, klämma sedan fast kopphuvudskruven i skåran längs den angivna vägen och lås den med en skruvmejsel. Sätt in hanhuvudet på lockpresspluggen i kontrollenhetens honhuvud och dra åt muttern.



Shaped hat

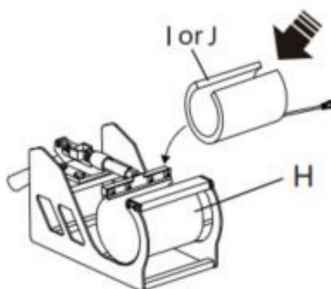
## BYT BAKGRUND

1

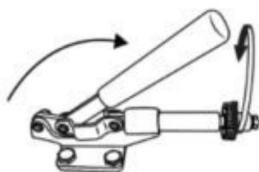


Install H to Part G.  
(Tighten the screws on both sides.  
We suggest to tighten the screws on the ① side first, and then tighten the screws on the ② side)

Select the appropriate size backing coaster (Part I or J) Put the cup in Part H.



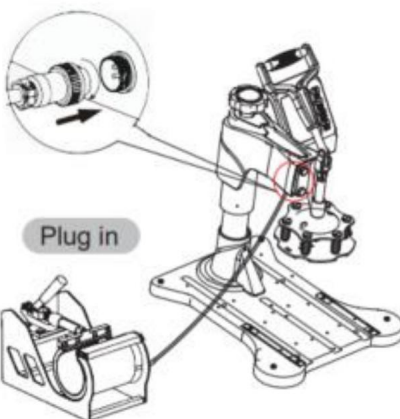
2



Adjust the tightness

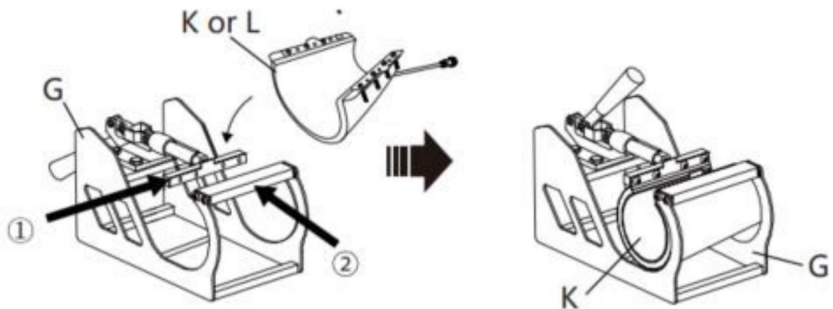


Shaped cup



Plug in

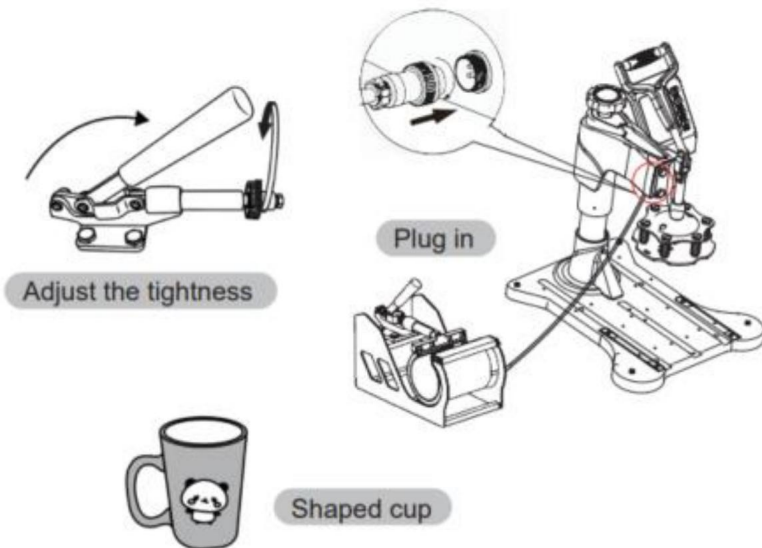
1



And install K or L to Part G.  
(Tighten the screws on both  
sides. We suggest to tighten  
the screws on the ① side  
first, and then tighten the  
screws on the ② side)

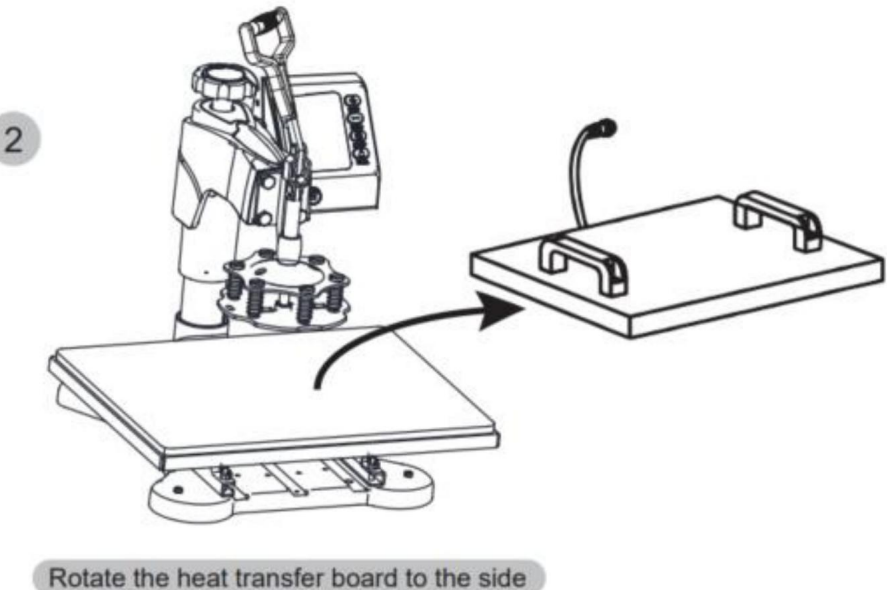
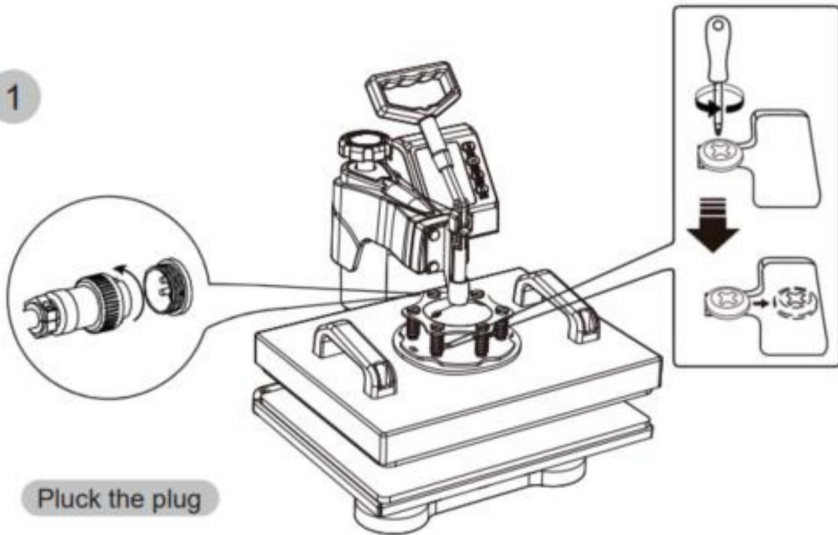
Put the cup in Part G

2

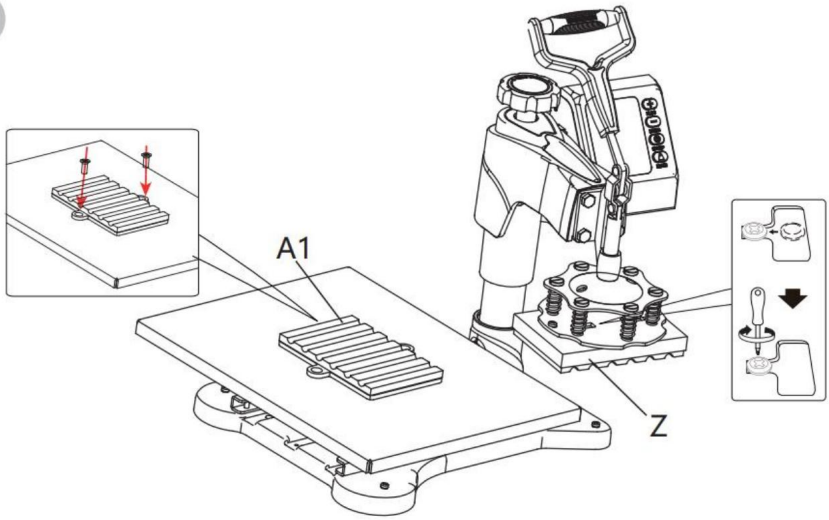


## BYT BAKNINGSPENNA

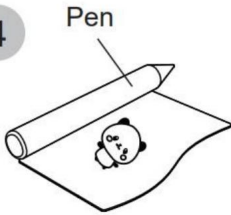
Använd en stjärnskruvmejsel för att skruva loss skruvarna i de två hålen på tryckplattan för att byta ut tillbehören.



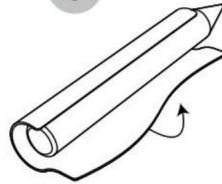
3



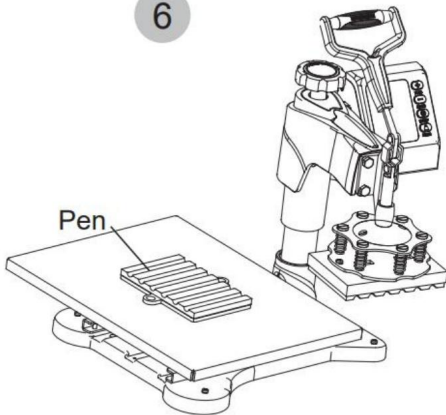
4



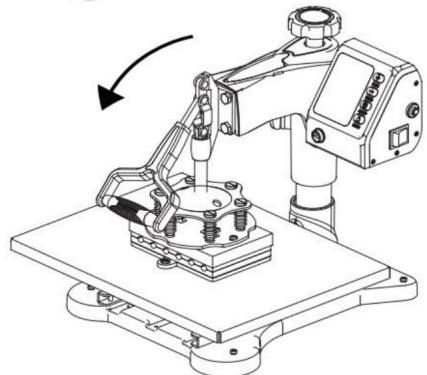
5



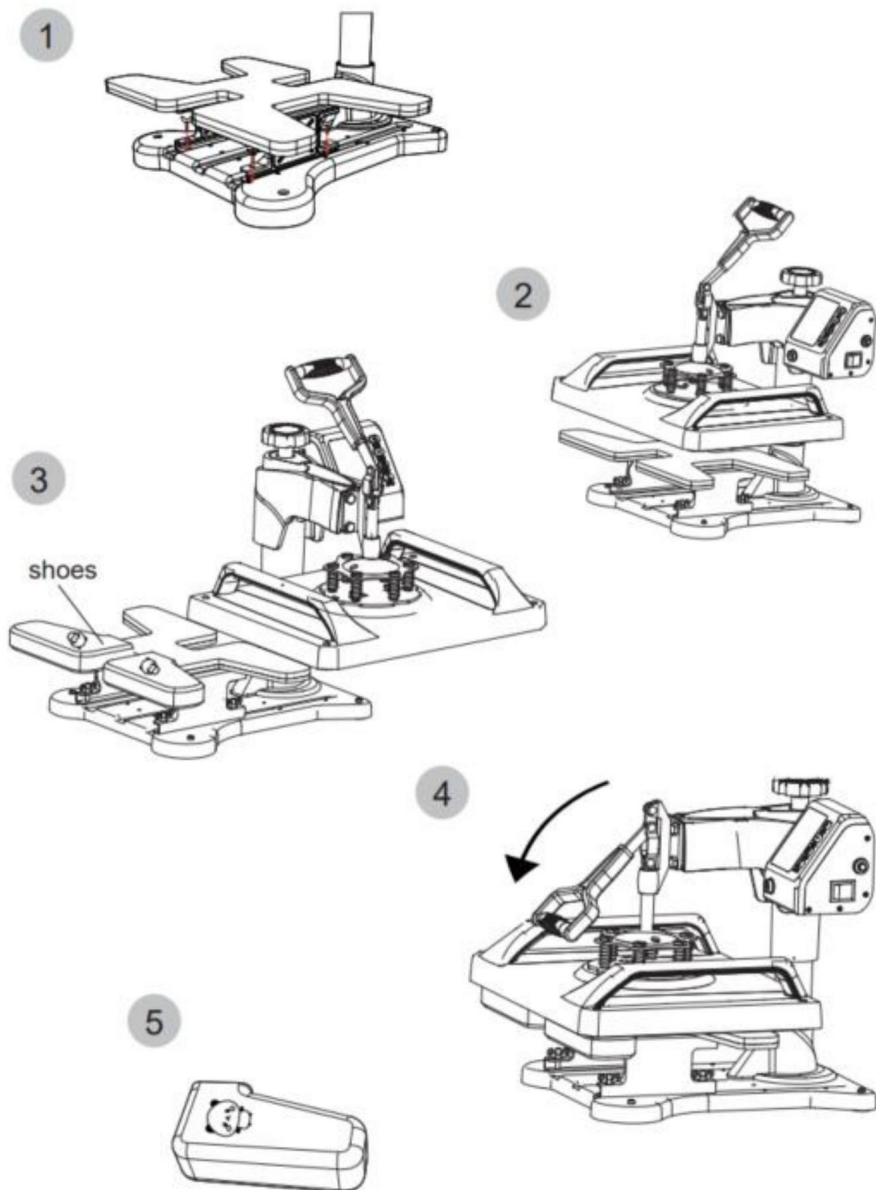
6



7



## BYTA BAKSKOR





## BEHANDLING AV KVALITETSFEL VID ÖVERFÖRING

1. Ljus färg eller blek bild: otillräcklig temperatur / felaktigt tryck / Otillräcklig tid.
2. Fuzzy Image: Trycktiden är för lång.
3. En del av mönstret suddigt: Värmen fördelas inte korrekt igenom värmeplattan, så att arbetstiden kan ökas på lämpligt sätt. Det kan också vara orsaken till ojämn tryckfördelning, som kan ställas in på fyra kort regulatorer. Observera att de fyra styrelseregulatorerna har ställts in tidigare de lämnar fabriken och ska inte behöva justeras normalt.
4. Dimmönster: För mycket tryck eller temperatur.
5. Årrbildat mönster: Överföringstiden är för lång.
6. Olika mönsterfärger: felaktigt tryck eller dålig kvalitet på överföringen papper.
7. Bränt mönster: Hög temperatur eller dåligt bläck.

Tillverkare:Shanghaimuxinmuyeyouxiangongsi

**Adress:** Shuangchenglu 803nong11hao1602A-1609shi, baoshanqu, shanghai 200000 CN.

**Importerad till AUS:** SIHAO PTY LTD. 1 ROKEVA STREETEASTWOOD NSW 2122 Australien

**Importerad till USA:** Sanven Technology Ltd. Suite 250, 9166 Anaheim Place, Rancho Cucamonga, CA 91730



E-CrossStu GmbH  
Mainzer Landstr.69, 60329 Frankfurt am Main.



YH CONSULTING LIMITED.  
C/O YH Consulting Limited Office 147, Centurion House,  
London Road, Staines-upon-Thames, Surrey, TW18 4AX





**VEVOR**<sup>®</sup>

**TOUGH TOOLS, HALF PRICE**

**Teknisk support och e-garanticertifikat**

**[www.vevor.com/support](http://www.vevor.com/support)**

# VEVOR<sup>®</sup>

## TOUGH TOOLS, HALF PRICE

Technische ondersteuning en e-garantiecertificaat [www.vevor.com/support](http://www.vevor.com/support)

## WARMTEPERSMACHINE

Wij streven er voortdurend naar om u gereedschappen tegen concurrerende prijzen te leveren.

"Save Half", "Half Price" of andere soortgelijke uitdrukkingen die wij gebruiken, geven alleen een schatting weer van de besparingen die u kunt behalen door bepaalde gereedschappen bij ons te kopen in vergelijking met de grote topmerken en betekent niet noodzakelijkerwijs dat alle categorieën gereedschappen die wij aanbieden, worden gedekt.

Wij herinneren u eraan om zorgvuldig te controleren of u daadwerkelijk de helft bespaart in vergelijking met de grote topmerken wanneer u een bestelling bij ons plaatst.

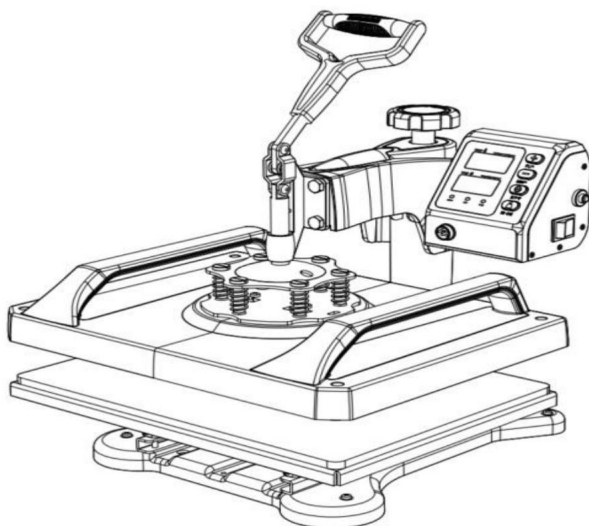


# VEVOR<sup>®</sup>

TOUGH TOOLS, HALF PRICE

WARMTEPERSMACHINE

MODEL:TL1215/TL1515



**HULP NODIG? NEEM CONTACT MET ONS OP!**

Heeft u vragen over het product? Heeft u technische ondersteuning nodig? Neem dan gerust contact met ons op:

**Technische ondersteuning en e-garantiecertificaat [www.vevor.com/support](http://www.vevor.com/support)**

Dit is de originele instructie, lees alle handleidingen zorgvuldig door voordat u het product gebruikt. VEVOR behoudt zich een duidelijke interpretatie van onze gebruikershandleiding voor. Het uiterlijk van het product is afhankelijk van het product dat u hebt ontvangen. Vergeef ons dat we u niet opnieuw zullen informeren als er technologie- of software-updates voor ons product zijn.

Symbool	Symbool Beschrijving
	<p><b>Waarschuwing:</b> Om het risico op letsel te verminderen, moet de gebruiker de Lees de gebruiksaanwijzing zorgvuldig door.</p>
	<p>Dit symbool, geplaatst voor een veiligheidsopmerking, geeft een soort voorzorgsmaatregel, waarschuwing of gevaar. Het negeren van deze waarschuwing kan leiden tot een ongeluk. Om het risico op letsel, brand of elektrocutie te verminderen, dient u altijd de onderstaande aanbevelingen op te volgen.</p>
	<p><b>CORRECTE VERWIJDERING:</b></p> <p>Dit product is onderworpen aan de bepalingen van de Europese richtlijn 2012/ 19/EG. Het symbool met een doorgestreepte kliko geeft aan dat het product gescheiden afval nodig heeft inzameling in de Europese Unie. Dit geldt voor het product en alle accessoires gemarkeerd met dit symbool. Producten gemarkeerd als dergelijke mogen niet bij het normale huisvuil worden gegooid, maar moet naar een inzamelpunt voor recycling van elektrische en elektronische apparaten.</p>

## WAARSCHUWING

1. Waarschuwingen moeten zorgvuldig worden opgevolgd om lichamelijk letsel te voorkomen, onjuist gebruik kan resulteren in een elektrische schok, brand, persoonlijk letsel en andere schade:

- 1) Haal de stekker uit het stopcontact wanneer u het apparaat verplaatst.
- 2) Haal de stekker uit het stopcontact wanneer u accessoires installeert.
- 3) Plaats het op een vlakke en stabiele ondergrond en werk onder geventileerde omstandigheden.
- 4) Draag speciale beschermende uitrusting wanneer u de machine bedient.
- 5) Gebruik deze machine niet op een gevaarlijke locatie.
- 6) Niet gebruiken als het apparaat niet goed werkt.
- 7) Demonteer en repareer dit apparaat niet.
- 8) Gebruik geen ongeschikt stopcontact.
- 9) Raak de verwarmingsplaat niet aan als de machine aan het opwarmen is .
- 10) Niet gebruiken in een vochtige omgeving of in contact met water. Niet laten infiltreren. vloeistof in het apparaat om brand of elektrische schokken door kortsluiting te voorkomen.
- 11) Gebruik geen voeding die niet aan de nominale spanning voldoet. De voeding



voeding die niet aan de opgegeven spanning voldoet, kan brand of elektrische schokken veroorzaken schok.

12) Zorg ervoor dat het apparaat geaard is, zodat er geen lichamelijk letsel kan ontstaan.

13) Raak de draaiende stang of het lagergedeelte niet aan met uw vingers tijdens gebruik.

geval van verwondingen.

14) Als het apparaat gedurende een langere tijd niet wordt gebruikt, trek dan de stekker uit het stopcontact uit het stopcontact.

15) Gebruik de machine niet tijdens onweer of bliksem om schade te voorkomen naar de machine.

16) Plaats de machine op een vlakke ondergrond op de vlamvertragende tafel en houd deze uit de buurt van van ontvlambare en explosieve stoffen.

17) Stop met het gebruik van het apparaat als er rook uit komt, er een vreemde geur vrijkomt, het apparaat lawaai maakt of er zich andere abnormale omstandigheden voordoen. , of

18) Dit apparaat kan worden gebruikt door kinderen van 8 jaar en ouder en

personen met verminderde fysieke, sensorische of mentale vermogens of een gebrek aan ervaring en kennis

als zij toezicht of instructie hebben gekregen over het gebruik van de

apparaat op een veilige manier gebruiken en de gevaren begrijpen die ermee gepaard gaan. Kinderen mogen niet

Speel met het apparaat. Reiniging en onderhoud door de gebruiker mogen niet door

kinderen zonder toezicht

19) Type X-aansluiting: Als het netsnoer beschadigd is, moet het worden vervangen door een speciaal snoer of assemblage verkrijgbaar bij de fabrikant of diens serviceagent.

20) Om gevaar te voorkomen als gevolg van onbedoelde reset van de thermische beveiliging,

Dit apparaat mag niet worden gevoed via een extern schakelapparaat, zoals

als een timer, of aangesloten op een circuit dat regelmatig wordt in- en uitgeschakeld door de

nutsvoorziening.



**Warning**

Schakel de stroom uit wanneer u de connector aansluit of loskoppelt



## FCC-INFORMATIE

**LET OP:** Wijzigingen of aanpassingen die niet uitdrukkelijk door de partij zijn goedgekeurd verantwoordelijk voor naleving kan de bevoegdheid van de gebruiker om de apparatuur!

Dit apparaat voldoet aan Deel 15 van de FCC-regels. De werking is onderworpen aan de volgende twee voorwaarden:

- 1) Dit product kan schadelijke interferentie veroorzaken.
- 2) Dit product moet alle ontvangen interferentie accepteren, inclusief storingen die een ongewenste werking kunnen veroorzaken.

**WAARSCHUWING:** Wijzigingen of aanpassingen aan dit product die niet uitdrukkelijk zijn goedgekeurd door de partij die verantwoordelijk is voor naleving, kan de rechten van de gebruiker ongeldig maken bevoegdheid om het product te bedienen.

**Let op:** Dit product is getest en voldoet aan de limieten voor een digitaal apparaat van klasse B overeenkomstig Deel 15 van de FCC-regels. Deze limieten zijn ontworpen om redelijke bescherming te bieden tegen schadelijke interferentie in een residentiële installatie.

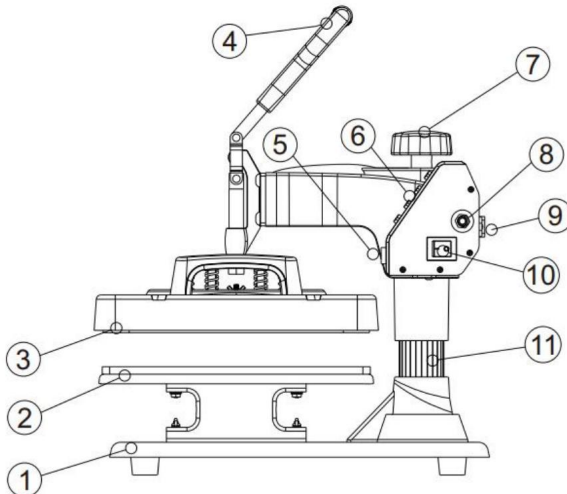
Dit product genereert, gebruikt en kan radiofrequentie-energie uitstralen, en indien niet geïnstalleerd en gebruikt in overeenstemming met de instructies, kan dit leiden tot schadelijke interferentie van radiocommunicatie. Er is echter geen garanderen dat er geen interferentie zal optreden in een bepaalde installatie. Als dit product veroorzaakt schadelijke interferentie met radio of televisie ontvangst, die kan worden bepaald door het product uit en aan te zetten, de De gebruiker wordt aangemoedigd om te proberen de interferentie door een of meer van de volgende maatregelen.

- Heroriënteer of verplaats de ontvangstantenne.
- Vergroot de afstand tussen het product en de ontvanger.
- Sluit het product aan op een stopcontact op een ander circuit dan dat waarop het apparaat is aangesloten. De ontvanger is aangesloten.
- Raadpleeg de dealer of een ervaren radio-/tv-technicus voor hulp.

## SPECIFICATIE

<b>Model</b>	<b>TL1215</b>		<b>TL1515</b>	
<b>Warmte Grootte</b>	<b>12x15 inch (29x38cm)</b>		<b>15x15 inch</b> <small>Afmetingen: 38x38 cm</small>	
<b>Temperatuur Bereik</b>	<b>0-232ÿ (32-450°F)</b>		<b>0-232ÿ (32-450°F)</b>	
<b>Tijdsbereik 0-999 seconden</b>	<b>seconden</b>		<b>0-999 seconden</b>	
<b>Spanning</b>	<b>120V~ 60Hz</b>	<b>220-240V~ 50Hz</b>	<b>120V~ 60Hz</b>	<b>220-240V~ 50Hz</b>
<b>Stroom</b>	<b>900W</b>	<b>1250W</b>	<b>1200W</b>	<b>1250W</b>

## OVERZICHT VAN UW WARMTEPERS



Nummer	Onderdeelnaam	Nummer	Onderdeelnaam
1	Voetstuk	7	Hefknop
2	Plaatsing	8	Overbelastingsbeveiliging
3	Verwarmingsplaat	9	Stopcontact
4	Hendel	10	Stroomschakelaar
5	Luchtvaartconnector	11	Kolom
6	Knop	12	

·De drukregelknop regelt de hoeveelheid kracht die wordt gebruikt om

duw het overgebrachte beeld in de vezels van het kledingstuk. Met de klok mee neemt toe druk. Tegen de klok in verlaagt deze.

·Het bedieningspaneel aan de rechterbovenkant van de behuizing is waar u de warmte instelt

en tijdvereisten van uw project. Deze variëren afhankelijk van het vinyl of gebruikte transferpapier.

·De hendel opent en sluit de bovenste en onderste verwarmde platen van de draaiers.



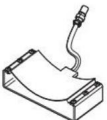

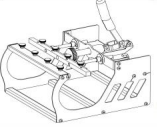
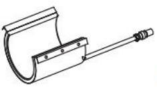
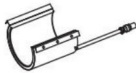
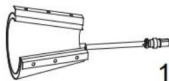
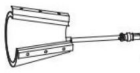


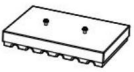
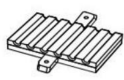
·De overbelastingsbeveiliging is een stroomonderbreker. Deze springt eruit als er een overbelasting is van elektriciteit.



Druk erop om te resetten.

·De aan/uit-schakelaar moet op de aan-stand staan en het snoer moet in het stopcontact zitten

voordat u op drukt.

RESERVEONDERDEEL

 <p>A 1PC</p>	 <p>B 1PC</p>	 <p>C 1PC</p>
 <p>D 1PC</p>	 <p>E 1PC</p>	 <p>F 1PC</p>
 <p>G 1PC</p>	 <p>H 1PC</p>	 <p>I 1PC</p>
 <p>J 1PC</p>	 <p>K 1PC</p>	 <p>L 1PC</p>
 <p>M 1PC</p>		

 <p>1PC</p> <p>A Phillips screwdriver can be turned into a slotted screwdriver by rotating it 180 degrees</p>	 <p>1PC</p>
--	--

	A	B	C	D	Ik	F	G	H	I	J	Ik	Ik	M
2-in-1			ÿ	ÿ									
5-in-1	ÿ	ÿ	ÿ	ÿ	ÿ	ÿ							
6 in 1ÿ	ÿ	ÿ	ÿ	ÿ	ÿ	ÿ	ÿ						
6 in 1ÿ	ÿ	ÿ	ÿ	ÿ	ÿ	ÿ					ÿ		
8 in 1	ÿ	ÿ	ÿ	ÿ	ÿ	ÿ	ÿ	ÿ	ÿ				
10 in 1	ÿ	ÿ	ÿ	ÿ	ÿ	ÿ	ÿ	ÿ	ÿ	ÿ		ÿ	ÿ
11 in 1	ÿ	ÿ	ÿ	ÿ	ÿ	ÿ	ÿ	ÿ	ÿ	ÿ	ÿ	ÿ	ÿ

## HOE U UW NIEUWE HITPERS KALIBREERT

1. Draai de drukregelaar een paar keer tegen de klok in om de druk op de platen.
2. Leg een stuk papier op de onderkant van de plaat.
3. Sluit de pers met de hendel.
4. Trek aan het papier.
5. Als het papier beweegt, draai de knop dan met de klok mee en probeer het opnieuw.
6. Probeer het opnieuw en herhaal totdat het papier helemaal niet meer beweegt. Dit is je "Medium" druk.

Vanuit de instelling "Medium" zal de hoge druk één tot twee slagen met de klok mee zijn. Laag druk zal een tot twee slagen tegen de klok in zijn. (Het aantal slagen zal hangt af van de dikte van het kledingstuk.

## TEMPERATUUR EN TIJD INSTELLEN

- PLUS
- + MINUS
- ⚙️ SETUP
- 👉 START



### 1. Hoe zet ik het apparaat aan/uit en hoe start ik het?

Druk op de schakelaar aan de zijkant van de temperatuurregelkast om het apparaat in te schakelen.

Knop voor het starten van het aftellen. Druk één keer om het aftellen te starten. Druk nogmaals om het aftellen te resetten.

### 2. Hoe stel ik de temperatuur/tijd in?

Druk eenmaal om de temperatuur in te stellen, druk tweemaal om de tijd in te stellen en druk nogmaals om af te sluiten. (Het zal automatisch de temperatuur-/tijdstellingsstatus verlaten in het geval dat er geen bewerking binnen 5sec.).

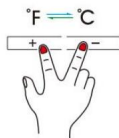
### 3. Hoe stel ik de temperatuur/tijd in om te verhogen of te verlagen?

**+** Stel de tijd/temperatuurverhoging in

**-** Stel de tijd/temperatuurverlaging in

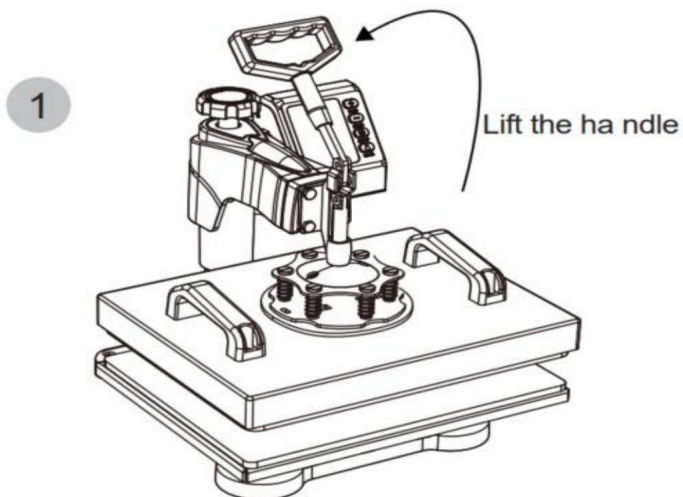
### 4. Hoe verander ik de temperatuureenheid van °F naar °C?

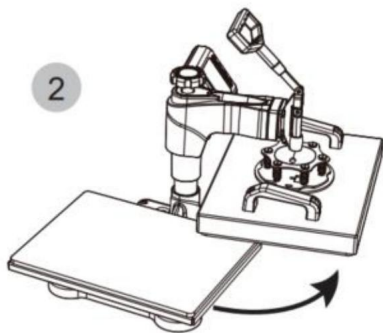
Als het apparaat is ingeschakeld, drukt u tegelijkertijd op "+" en "-" om de temperatuureenheid te wijzigen tussen °F en °C.



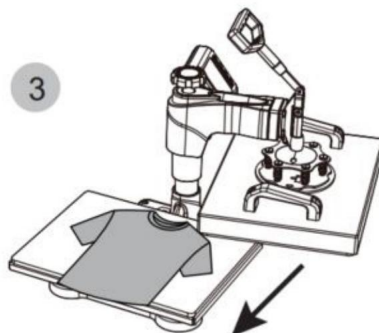
**5. Tips: De maximale insteltemperatuur van dit apparaat is 232°C en de langste tijd is 999sec.**

## MONTAGE- EN GEBRUIKSTAPPEN





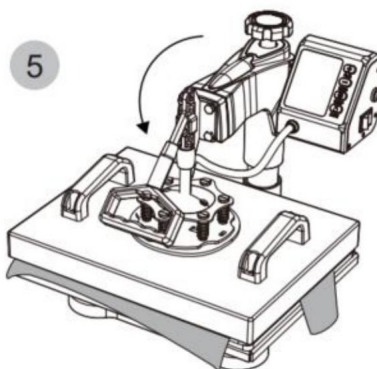
Rotate the heating platen to one side



Pull out the lower panel, place the clothes flat on the platen, and place the pattern on the clothes.



Rotate this switch to adjust pressure



## INTELLIGENTE TEMPERATUURREGELAAR WERKWIJZE

### 1. Voorbereiding voor gebruik: 1.1

Controleer de verbinding tussen de stekker en het stopcontact in de elektriciteitskast.

Zorg ervoor dat u het apparaat met een veilige aarddraad gebruikt!!!

1.2 Het warmteperselement moet stevig in de machine worden gestoken voordat u de machine inschakelt.

Sluit uw elektriciteits snoer aan op de machine. Steek het stopcontact in de wandcontactdoos. Zet de aan/uit-schakelaar aan.



## 2. Stel de gewenste temperatuur in:

Stel de temperatuur en tijd in volgens de onderstaande tabel en krijg de specifieke overeenkomstige temperatuur- en tijdinstelling. (Temperatuur wordt gemeten in (Graden Fahrenheit.)

Pers object	Voorletter	Hoogste	Juiste verwarming
	Temperatuur	Temperatuur	Tijd(en)
Mokken	230	330	40
Tegels	230	330	40
Metalen bord	230	330	40
Bord	230	355	150
T-shirt	230	355	Sublimatiepapier: 30-50s
			T-shirtpapier: 10-20s

Initiële temperatuurinstelling (bereik: 200-450 ¨y)

Druk EEN KEER op de "MODE"-knop, zie het "set-lampje" rood worden. Druk vervolgens op de "plus/ minus-toets" om de beginverwarmingstemperatuur in te stellen.

B. Hoogste temperatuurinstelling (bereik: 93-232 ¨y)

Druk voor de TWEEDE KEER op de knop "MODE"; zie het "temperatuurlampje" rood worden. Druk vervolgens op de "plus- of mintoets" om de hoogste verwarmingsstand in te stellen temperatuur.

C. Juiste verwarmingstijdinstelling (bereik: 0-999 sec.)

Druk voor de DERDE KEER op de knop "MODE"; zie het "tijdlampje" rood worden. Druk vervolgens op de plus- of mintoets om de juiste verwarmingstijd in te stellen.

D. Fahrenheit naar Celsius

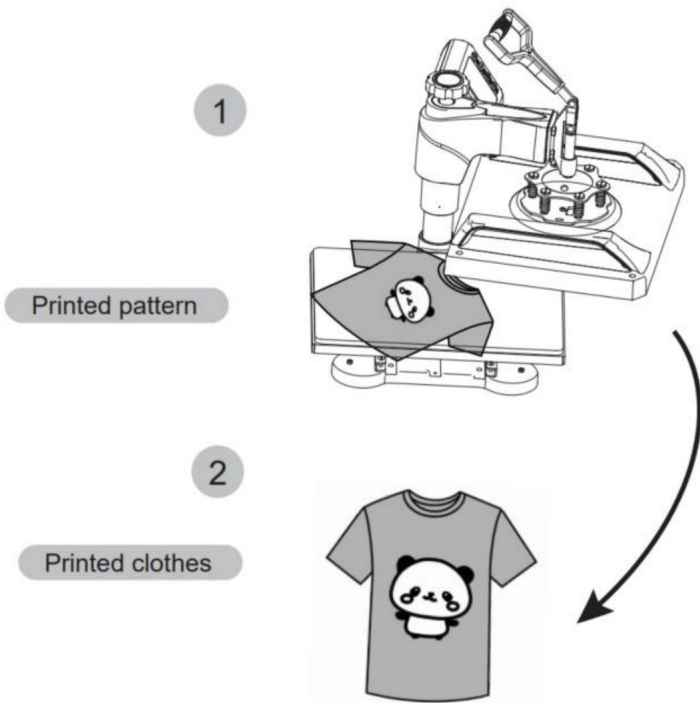
Nadat u de hot stamping machine heeft aangezet, drukt u op de + en - knoppen gelijktijdig gedurende ongeveer vijf seconden. Wanneer PAE wordt weergegeven, drukt u op de MODE-toets om weer te geven (FC), en verander F in C in de tijdweergave-versnelling, zodat Fahrenheit wordt omgezet naar Celsius.

## 3. Maak de instelling af en wacht tot het werk is voltooid

Druk voor de VIERDE KEER op de knop "MODE"; voltooi de instelling, het ingestelde licht is ingeschakeld en de temperatuur zal blijven stijgen. Wanneer de ingestelde maximum temperatuur is bereikt, begint het aftellen. Nadat het aftellen is afgelopen, begint het

Er klinkt een "BEEF"-geluid, het indicatielampje gaat uit en de werking is voltooid.

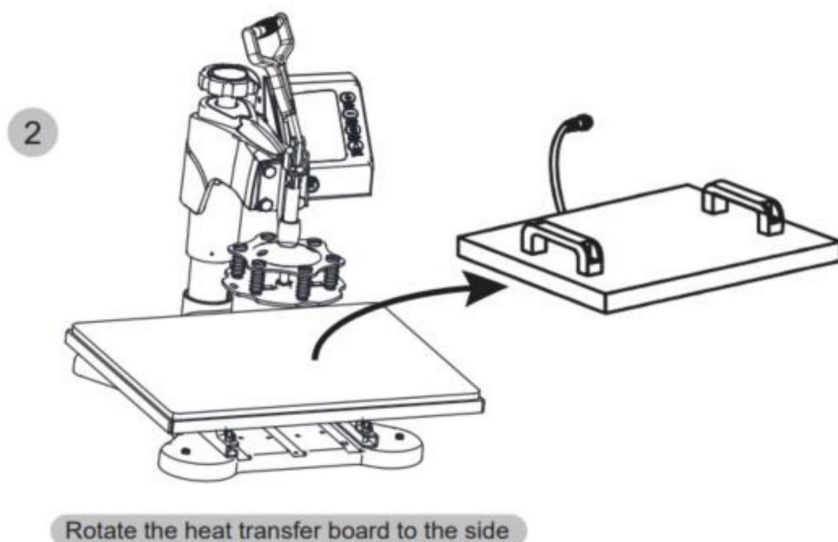
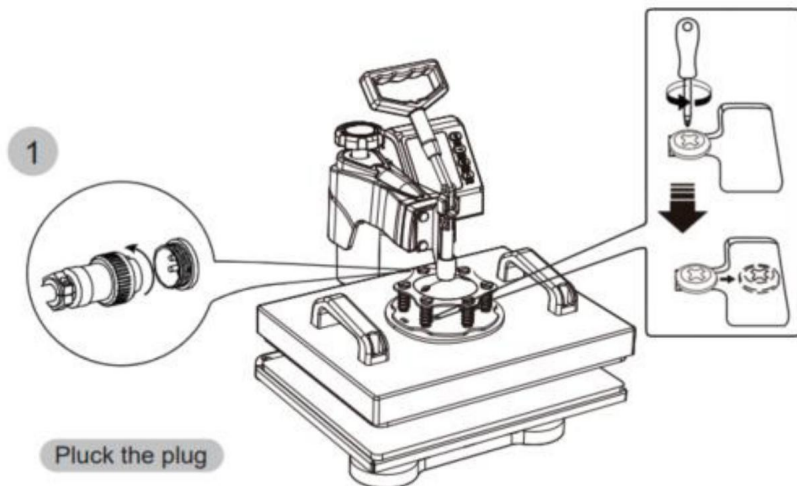
voltooid en de machine staat klaar om te werken.



Schakel de stroom uit en trek de mat eruit. Het is aan te raden om hittebestendige handschoenen te dragen bij het uittrekken van kleding of deze na 2-3 minuten uit te trekken. Wees voorzichtig met hete hitte.

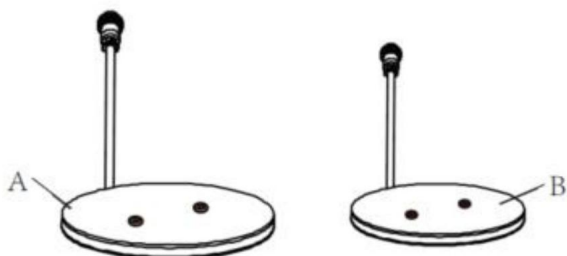
## Vervang de bakplaatmat

Gebruik een kruiskopschroevendraaier om de schroeven in de twee gaten op de drukplaat los te draaien om de accessoires te vervangen.



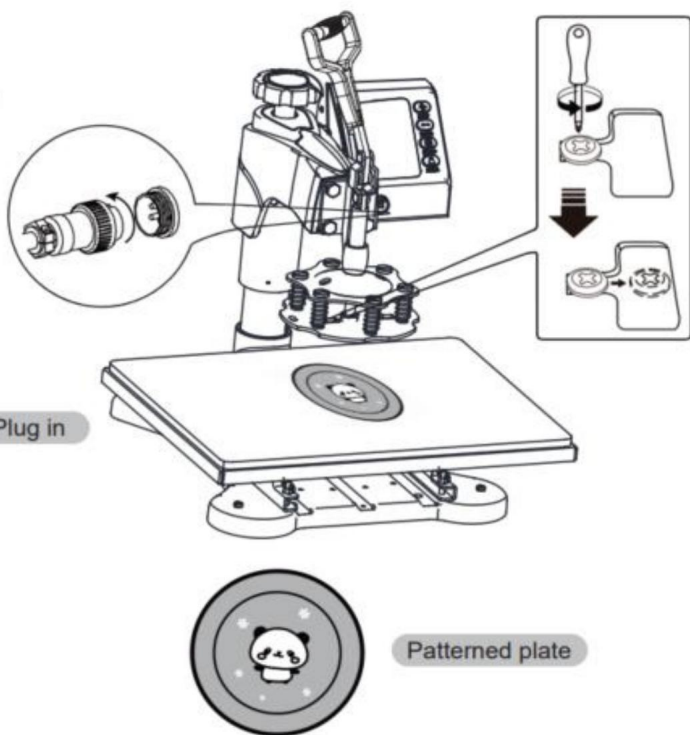
## VERVANGEN MET EEN PLAATPERS

3



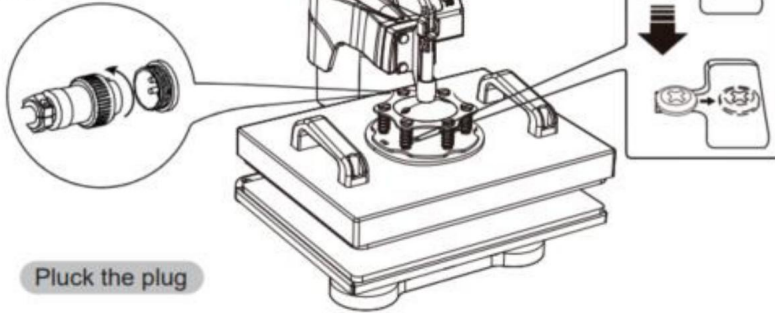
Select the appropriate size daking pan mat (Part A or B)

4

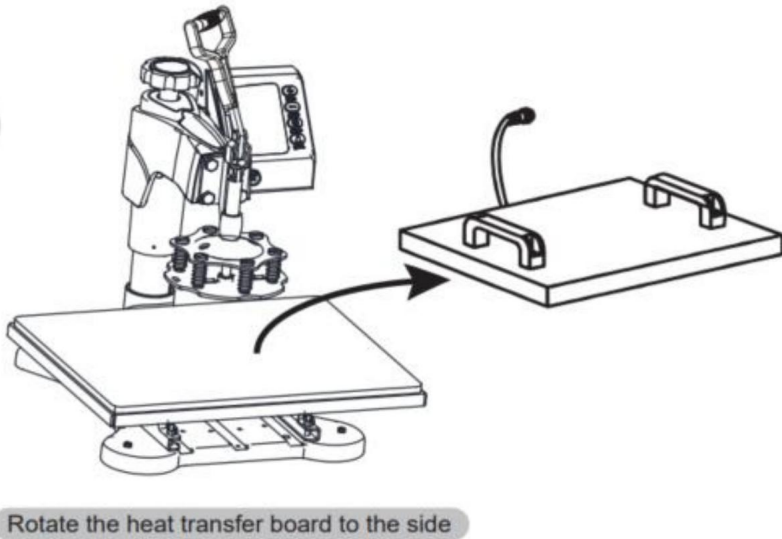


## VERVANG ACHTERKAP MAT

1



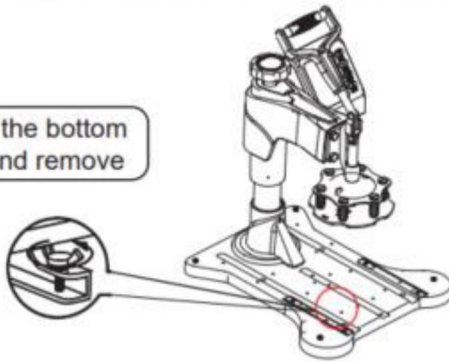
2



3

Unscrew the four butterfly screws at bottom

Loosen the bottom screw and remove



Lift the cushion up

4

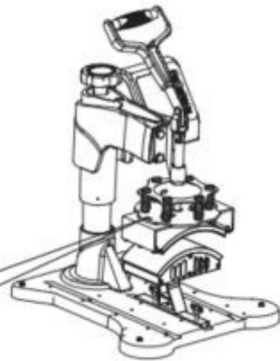
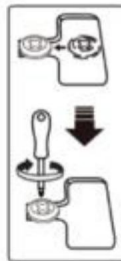


5

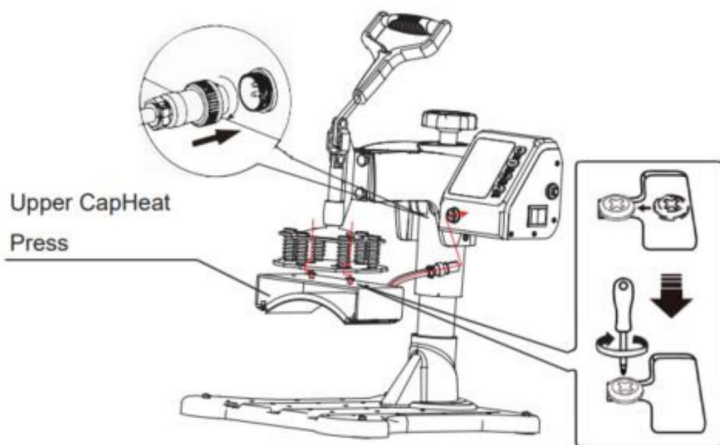


Install the backing pad (part 4)

6



Use the screwdriver 4 to tighten the 2 screws just removed and put the cap on



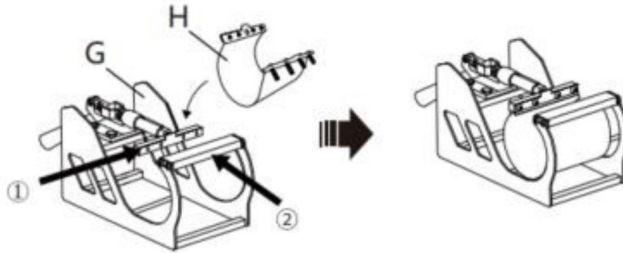
1. Neem 2 kopschroeven en vergrendel ze in het gat in het midden van de doppers. Vergrendel de kopschroeven niet, laat 5-7 mm over, klem de kopschroef vervolgens in de sleuf langs de aangegeven route en vergrendel deze met een schroevendraaier. Plaats de mannelijke kop van de doppersplug in de vrouwelijke kop van de controller en draai de moer vast.



Shaped hat

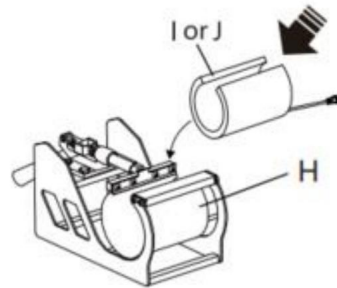
## VERVANG ACHTERONDERZETTER

1

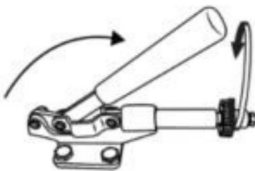


Install H to Part G.  
(Tighten the screws on both sides.  
We suggest to tighten the screws on the ① side first, and then tighten the screws on the ② side)

Select the appropriate size backing coaster (Part I or J) Put the cup in Part H.



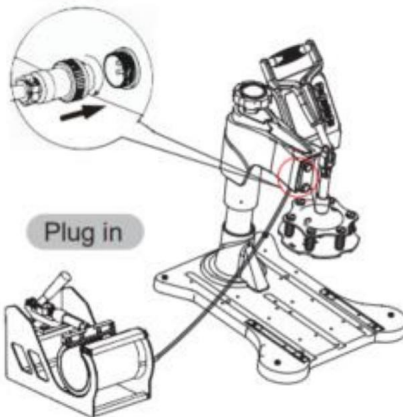
2



Adjust the tightness



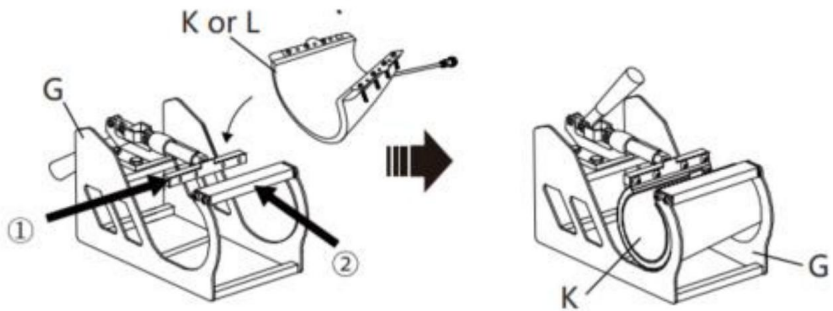
Shaped cup



Plug in



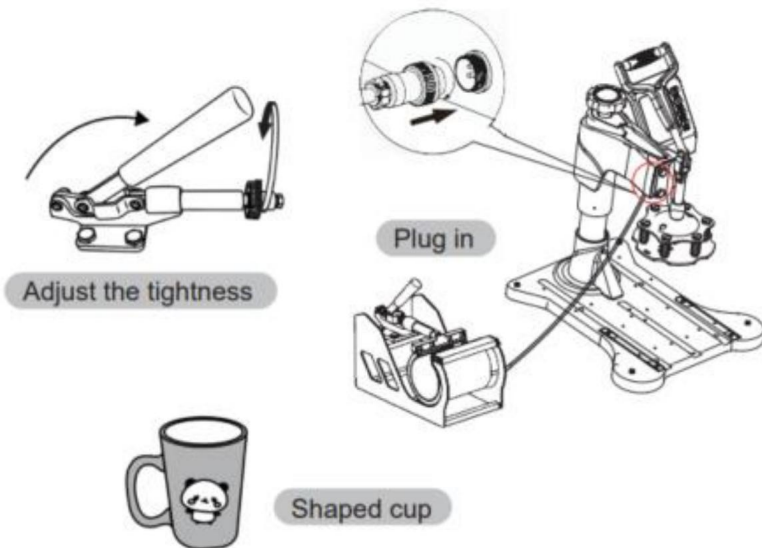
1



And install K or L to Part G.  
(Tighten the screws on both  
sides. We suggest to tighten  
the screws on the ① side  
first, and then tighten the  
screws on the ② side)

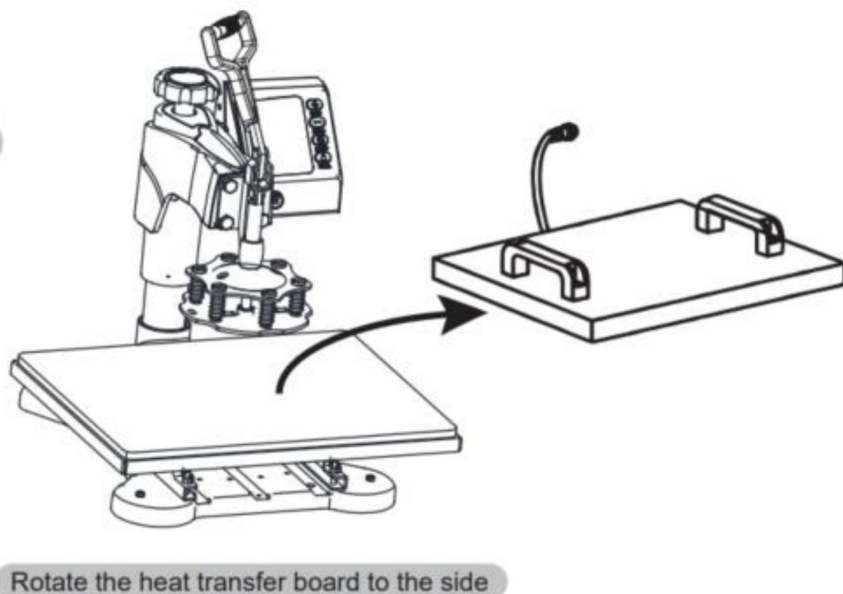
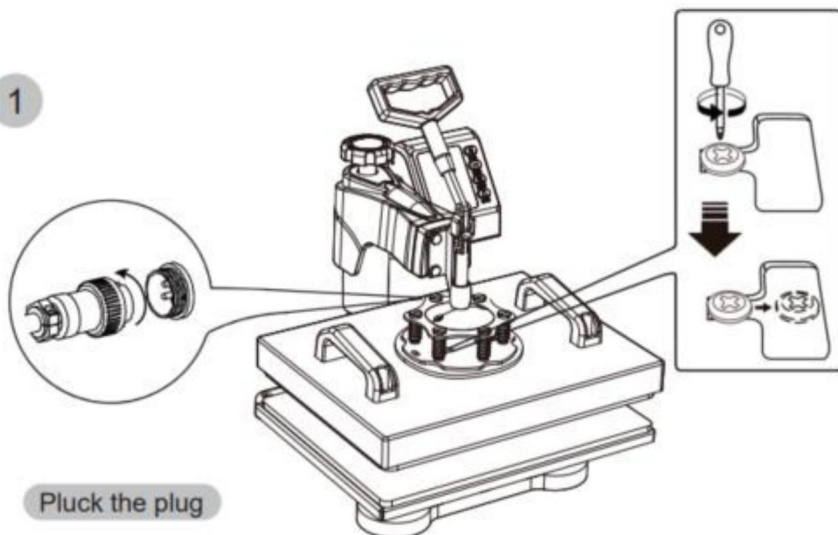
Put the cup in Part G

2

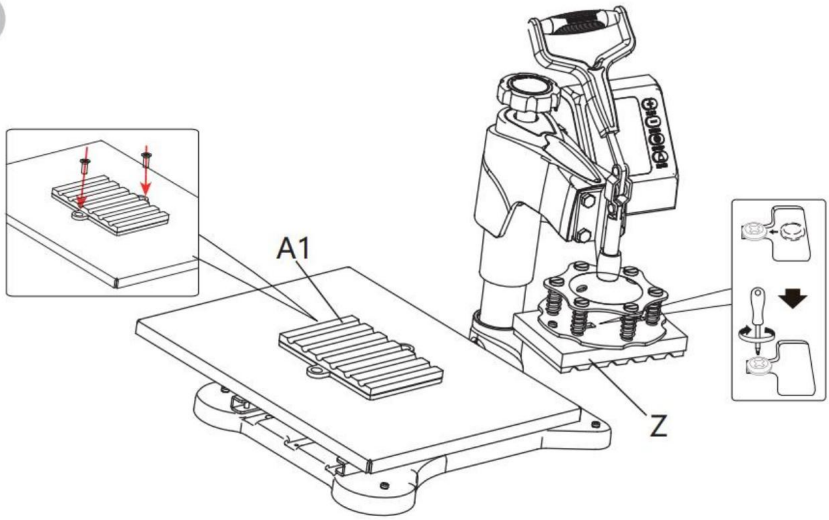


## VERVANG BAKPEN

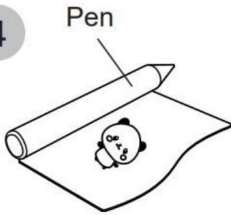
Gebruik een kruiskopschroevendraaier om de schroeven in de twee gaten op de drukplaat los te draaien om de accessoires te vervangen.



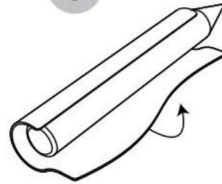
3



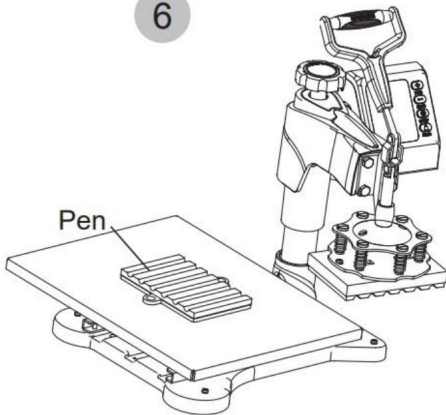
4



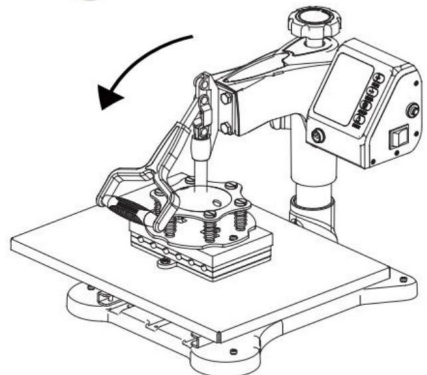
5



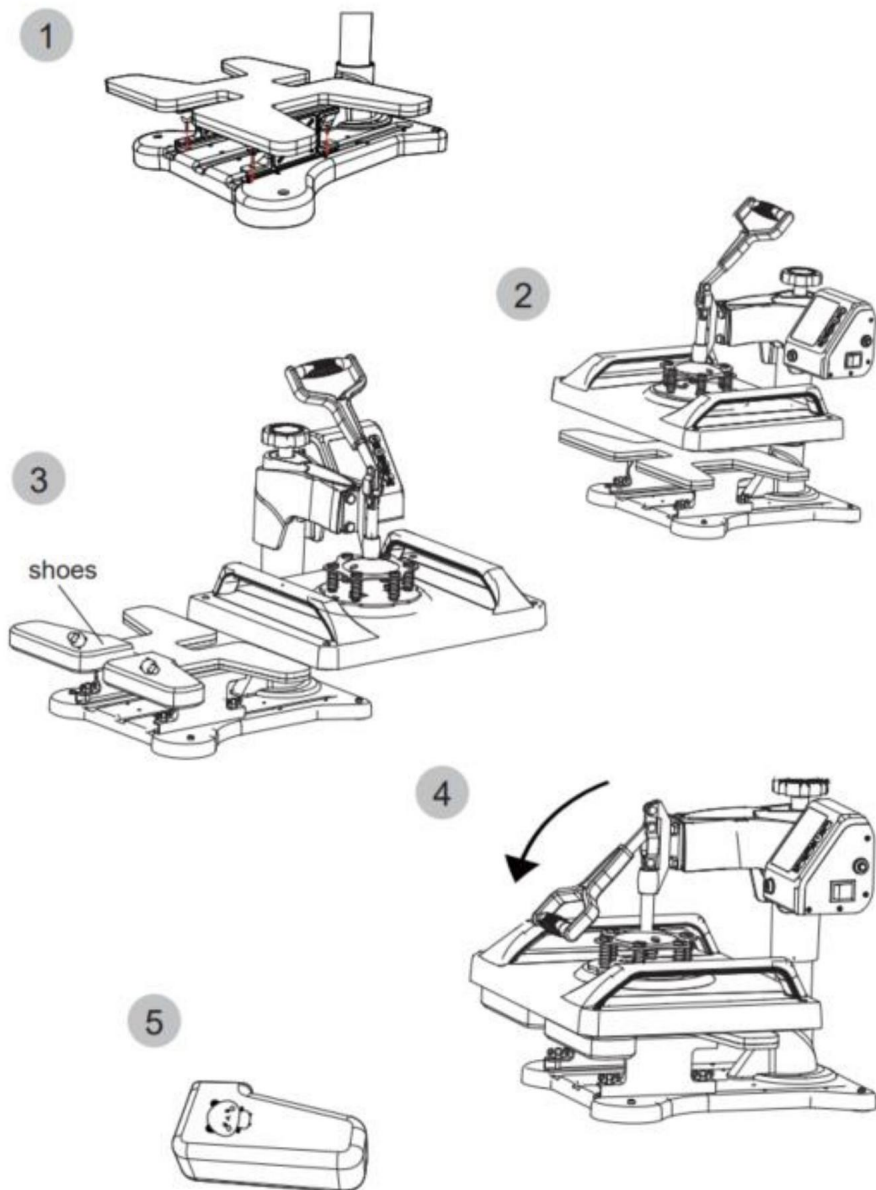
6



7



## Vervang de bakschoenen



## BEHANDELING VAN KWALITEITSGEBREKEN BIJ OVERDRACHT

1. Lichte kleur of vervaagde afbeelding: Onvoldoende temperatuur / Onjuiste druk / Onvoldoende tijd.
2. Onscherpe afbeelding: De afdruktijd is te lang.
3. Een deel van het patroon is vervaagd: de warmte wordt niet correct verdeeld door de verwarmingsplaat, zodat de werktijd op passende wijze kan worden verlengd. Het kan ook de oorzaak zijn van een ongelijkmatige drukverdeling, die op vier borden kan worden ingesteld toezichthouders. Let op: de vier bestuursregulatoren zijn al eerder opgericht Ze verlaten de fabriek en hoeven normaal gesproken niet te worden afgesteld.
4. Vaag patroon: Te veel druk of temperatuur.
5. Littekenpatroon: De overdrachtstijd is te lang.
6. Verschillende patroonkleuren: onjuiste druk of slechte kwaliteit van de overdracht papier.
7. Verbrand patroon: Hoge temperatuur of slechte inkt.

Fabrikant: Shanghaiimuxinmuyeyouxiangongsi

**Adres:** Shuangchenglu 803nong11hao1602A-1609shi, baoshanqu, shanghai 200000 CN.

**Geïmporteerd naar AUS:** SIHAO PTY LTD. 1 ROKEVA STREETEASTWOOD NSW 2122 Australië

**Geïmporteerd naar de VS:** Sanven Technology Ltd. Suite 250, 9166 Anaheim Plaats, Rancho Cucamonga, CA 91730



E-CrossStu GmbH  
Mainzer Landstr.69, 60329 Frankfurt am Main.



YH CONSULTING LIMITED.  
C/O YH Consulting Limited Kantoor 147, Centurion House,  
Londen Road, Staines-upon-Thames, Surrey, TW18 4AX





**VEVOR**<sup>®</sup>

**TOUGH TOOLS, HALF PRICE**

**Technische ondersteuning en e-  
garantiecertificaat [www.vevor.com/support](http://www.vevor.com/support)**



# VEVOR<sup>®</sup>

## TOUGH TOOLS, HALF PRICE

Assistance technique et certificat de garantie électronique [www.vevor.com/support](http://www.vevor.com/support)

## PRESSE A CHAUD

Nous continuons à nous engager à vous fournir des outils à des prix compétitifs.

« Économisez la moitié », « Moitié prix » ou toute autre expression similaire utilisée par nous ne représente qu'une estimation des économies que vous pourriez réaliser en achetant certains outils chez nous par rapport aux grandes marques et ne couvre pas nécessairement toutes les catégories d'outils que nous proposons.

Nous vous rappelons de bien vouloir vérifier soigneusement lorsque vous passez une commande chez nous si vous économisez réellement la moitié par rapport aux grandes marques.

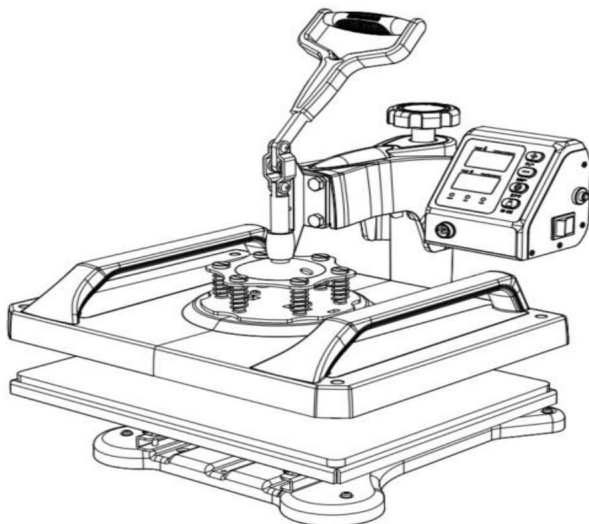


# VEVOR<sup>®</sup>

TOUGH TOOLS, HALF PRICE

PRESSE A CHAUD

MODÈLE : TL1215/TL1515






## BESOIN D'AIDE? CONTACTEZ-NOUS!

Vous avez des questions sur nos produits ? Vous avez besoin d'assistance technique ? N'hésitez pas à nous contacter :

Assistance technique et certificat de garantie  
électronique [www.vevor.com/support](http://www.vevor.com/support)

Il s'agit de la notice d'utilisation d'origine. Veuillez lire attentivement toutes les instructions du manuel avant de l'utiliser. VEVOR se réserve le droit d'interpréter clairement notre manuel d'utilisation. L'apparence du produit dépend du produit que vous avez reçu. Veuillez nous excuser, nous ne vous informerons plus en cas de mise à jour technologique ou logicielle de notre produit.

Symbole	Description du symbole
	<p>Avertissement : Pour réduire le risque de blessure, l'utilisateur doit lire le Lisez attentivement le manuel d'instructions.</p>
	<p>Ce symbole, placé avant un commentaire de sécurité, indique un type de précaution, avertissement ou danger. Ignorer cet avertissement peut entraîner un accident. Pour réduire le risque de blessure, d'incendie ou d'électrocution, veuillez toujours suivre les recommandations ci-dessous.</p>
	<p>ÉLIMINATION CORRECTE :</p> <p>Ce produit est soumis aux dispositions de la directive européenne 2012/19/CE. Le symbole représentant une poubelle à roulettes barrée à travers indique que le produit nécessite un tri sélectif collecte dans l'Union européenne. Cela s'applique au produit et tous les accessoires marqués de ce symbole. Produits marqués comme ceux-ci ne peuvent pas être jetés avec les déchets ménagers normaux, mais doivent être apportés à un point de collecte pour le recyclage des appareils électriques et appareils électroniques.</p>

## AVERTISSEMENT

1. Les avertissements doivent être suivis attentivement pour éviter les blessures corporelles, une mauvaise utilisation peut entraîner un choc électrique, un incendie, des blessures corporelles et d'autres dommages :

- 1) Gardez la machine débranchée lorsque vous la déplacez.
- 2) Gardez l'appareil débranché lors de l'installation des accessoires.
- 3) Placer sur une plate-forme plane et stable et travailler dans des conditions ventilées.
- 4) Portez un équipement de protection spécial lors de l'utilisation de la machine.
- 5) N'utilisez pas cette machine dans un endroit dangereux.
- 6) Ne pas utiliser lorsque la machine ne fonctionne pas correctement.
- 7) Ne démontez pas et ne réparez pas cette machine.
- 8) N'utilisez pas de prise secteur inadaptée.
- 9) Ne touchez pas la plaque chauffante lorsque la machine chauffe .
- 10) Ne pas utiliser dans un environnement humide ou au contact de l'eau. Ne pas infiltrer.  
liquide dans la machine pour éviter un incendie ou un choc électrique causé par un court-circuit.
- 11) N'utilisez pas l'alimentation électrique qui ne correspond pas à la tension nominale. L'alimentation

Une alimentation qui ne correspond pas à la tension spécifiée peut provoquer un incendie ou une décharge électrique. choc.

12) Assurez-vous que la machine est mise à la terre afin de ne pas causer de blessures corporelles.

13) Ne touchez pas la tige rotative ou la partie portante avec vos doigts pendant l'utilisation  
cas de blessures.

14) Si la machine n'est pas utilisée pendant une longue période, veuillez débrancher le cordon d'alimentation de la prise.

15) N'utilisez pas la machine pendant les orages ou les éclairs pour éviter tout dommage à la machine.

16) Placez la machine en douceur sur la table ignifuge et éloignez-la des articles inflammables et explosifs.

17) Veuillez cesser de l'utiliser si la machine fume, émet une odeur particulière, devient , ou bruyante et dans d'autres conditions anormales.

18) Cet appareil peut être utilisé par des enfants âgés de 8 ans et plus et personnes ayant des capacités physiques, sensorielles ou mentales réduites ou dépourvues de expérience et connaissances

s'ils ont reçu une supervision ou des instructions concernant l'utilisation du

Utilisez l'appareil de manière sûre et comprenez les dangers encourus. Les enfants ne doivent pas jouer avec l'appareil. Le nettoyage et l'entretien par l'utilisateur ne doivent pas être effectués par enfants sans surveillance

19) Fixation de type X : Si le cordon d'alimentation est endommagé, il doit être remplacé par un cordon ou ensemble spécial disponible auprès du fabricant ou de son agent de service.

20) Afin d'éviter tout danger dû à une réinitialisation involontaire du coupe-circuit thermique, cet appareil ne doit pas être alimenté par un dispositif de commutation externe, tel comme une minuterie, ou connecté à un circuit qui est régulièrement allumé et éteint par le utilitaire.



**Warning**

Veuillez couper l'alimentation lorsque vous branchez ou débranchez le connecteur



## INFORMATIONS FCC

**ATTENTION :** Les changements ou modifications non expressément approuvés par la partie responsable de la conformité pourrait annuler l'autorité de l'utilisateur à exploiter le équipement!

Cet appareil est conforme à la partie 15 des règles de la FCC. Son fonctionnement est soumis à aux deux conditions suivantes :

- 1) Ce produit peut provoquer des interférences nuisibles.
- 2) Ce produit doit accepter toute interférence reçue, y compris interférences pouvant entraîner un fonctionnement indésirable.

**AVERTISSEMENT :** Les changements ou modifications apportés à ce produit non expressément approuvé par la partie responsable de la conformité pourrait annuler l'autorisation de l'utilisateur autorisation d'exploiter le produit.

Remarque : Ce produit a été testé et jugé conforme aux limites pour un appareil numérique de classe B conformément à la partie 15 des règles de la FCC. Ces les limites sont conçues pour fournir une protection raisonnable contre les effets nocifs interférence dans une installation résidentielle.

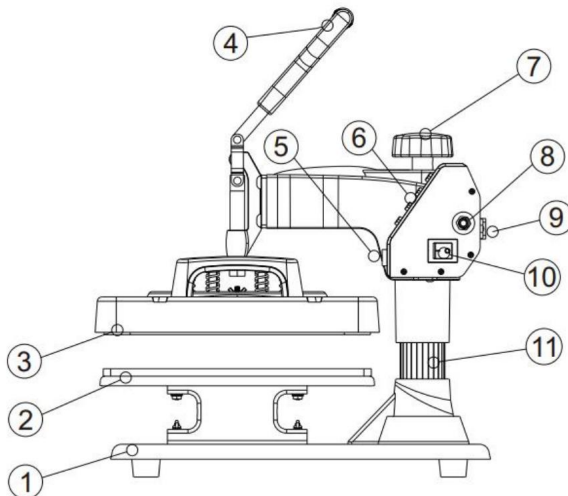
Ce produit génère, utilise et peut émettre de l'énergie radiofréquence, et s'il n'est pas installé et utilisé conformément aux instructions, peut provoquer interférences nuisibles aux communications radio. Cependant, il n'existe aucune garantir qu'aucune interférence ne se produira dans une installation particulière. Si cela le produit provoque des interférences nuisibles avec la radio ou la télévision réception, qui peut être déterminée en éteignant et en rallumant le produit, le l'utilisateur est encouragé à essayer de corriger l'interférence par une ou plusieurs des mesures suivantes.

- Réorienter ou déplacer l'antenne de réception.
- Augmenter la distance entre le produit et le récepteur.
- Brancher le produit sur une prise d'un circuit différent de celui auquel le récepteur est connecté.
- Consultez le revendeur ou un technicien radio/TV expérimenté pour obtenir de l'aide.

## SPÉCIFICATION

Modèle	TL1215		TL1515	
Taille de la chaleur	12x15 pouces (29×38cm)		15x15 pouces (38×38cm)	
Température Gamme	32-450°F (0-232 )		32-450°F (0-232 )	
Plage de temps	0-999 secondes		0-999 secondes	
Tension	120 V ~ 60 Hz	220-240V~ 50 Hz	120 V ~ 60 Hz	220-240V~ 50 Hz
Pouvoir	900 W	1250 W	1200 W	1250 W

## APERÇU DE VOTRE PRESSE À CHAUD



Nombre	Nom de la pièce	Nombre	Nom de la pièce
1	Piédestal	7	Bouton de levage
2	Placement	8	Protecteur de surcharge
3	Plaque chauffante	9	Prise de courant
4	Poignée	10	Interrupteur d'alimentation
5	Connecteur aéronautique	11	Colonne
6	Bouton	12	

·Le bouton de réglage de la pression contrôle la quantité de force qui sera utilisée pour pousser l'image transférée dans les fibres du vêtement. Dans le sens des aiguilles d'une montre, augmente pression. Le sens inverse des aiguilles d'une montre la diminue.

·Le panneau de commande situé sur la face supérieure droite du boîtier est l'endroit où vous réglerez la chaleur et les exigences de temps de votre projet. Celles-ci varient en fonction du vinyle ou papier transfert utilisé.

·La poignée ouvre et ferme les plateaux chauffants supérieur et inférieur de la presse rotative.



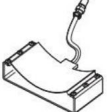

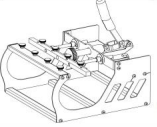
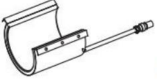
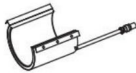
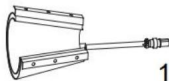
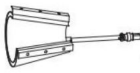


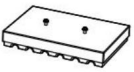
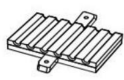
·Le protecteur de surcharge est un disjoncteur. Il se déclenche en cas de surcharge de  
électricité.

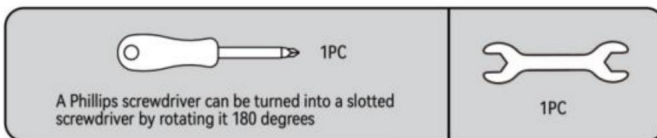
Appuyez dessus pour réinitialiser.

·L'interrupteur d'alimentation doit être réglé sur la position marche et le cordon doit être branché avant d'appuyer.



## PIÈCE DE RECHANGE

 <p>A 1PC</p>	 <p>B 1PC</p>	 <p>C 1PC</p>
 <p>D 1PC</p>	 <p>E 1PC</p>	 <p>F 1PC</p>
 <p>G 1PC</p>	 <p>H 1PC</p>	 <p>I 1PC</p>
 <p>J 1PC</p>	 <p>K 1PC</p>	 <p>L 1PC</p>
 <p>M 1PC</p>		



	UN	B	C	D	E	F	G	H	.	J	K	L	M
2 en 1			√	√									
5 en 1	√	√	√	√	√	√							
6 en 1	√	√	√	√	√	√	√						
6 en 1	√	√	√	√	√	√					√		
8 en 1	√	√	√	√	√	√	√	√	√				
10 en 1	√	√	√	√	√	√	√	√	√	√		√	√
11 en 1	√	√	√	√	√	√	√	√	√	√	√	√	√

## COMMENT CALIBRER VOTRE NOUVELLE PRESSE À CHAUD

1. Tournez le bouton de pression dans le sens inverse des aiguilles d'une montre plusieurs fois pour réduire la pression sur le plateaux.
2. Placez un morceau de papier au bas de la plaque.
3. Fermez la presse tournante à l'aide de la poignée.
4. Tirez sur le papier.
5. Si le papier bouge, tournez le bouton dans le sens des aiguilles d'une montre et réessayez.
6. Réessayez et répétez jusqu'à ce que le papier ne bouge plus du tout. C'est votre « support » pression.

À partir du réglage « Moyen », la pression élevée sera d'un à deux tours dans le sens des aiguilles d'une montre. Faible la pression sera dans le sens inverse des aiguilles d'une montre d'un à deux tours. (Le nombre de tours sera dépend de l'épaisseur du vêtement.

## RÉGLAGE DE LA TEMPÉRATURE ET DU TEMPS

- PLUS
- + MINUS
- ⚙️ SETUP
- 👁️ START




1. Comment allumer/éteindre et comment démarrer ?

Appuyez sur le bouton interrupteur situé sur le côté du boîtier de contrôle de la température pour l'allumer.

Bouton de démarrage du compte à rebours, appuyez une fois pour démarrer le compte à rebours ; appuyez à nouveau pour réinitialiser.

2. Comment régler la température/le temps ?

Appuyez une fois  pour régler la température, appuyez deux fois pour régler l'heure et appuyez à nouveau pour quitter. (Il quittera automatiquement l'état de configuration de la température/heure en cas d'absence opération dans les 5 secondes.).

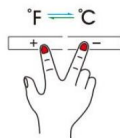
3. Comment régler la température/le temps pour augmenter ou diminuer ?

**+** Régler l'augmentation du temps/de la température

**-** Régler la diminution du temps/de la température

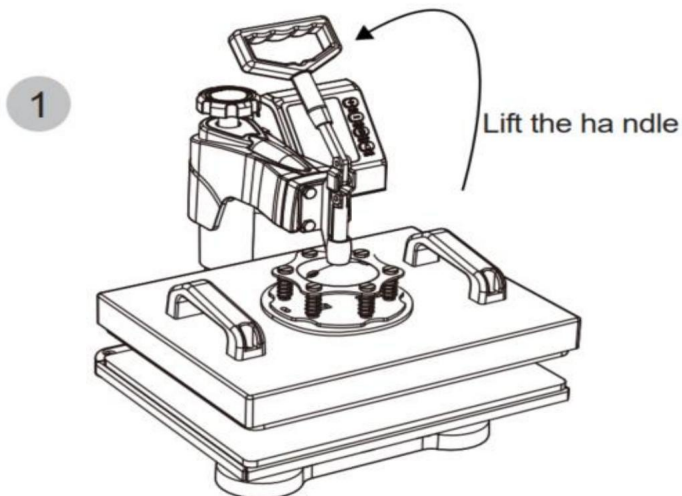
4. Comment changer l'unité de température de °F à °C ?

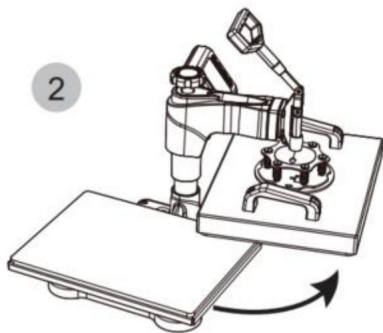
À l'état allumé, appuyez simultanément sur « + » et « - » pour changer l'unité de température entre °F et °C.



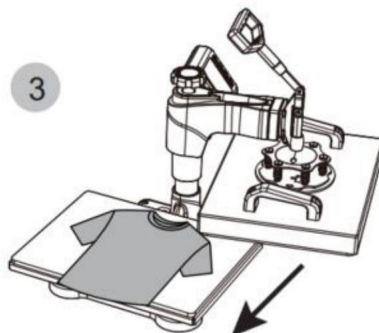
5. Conseils : La température maximale réglée de cette machine est de 232 °C et le temps le plus long est de 999 secondes.

#### ÉTAPES D'ASSEMBLAGE ET D'UTILISATION





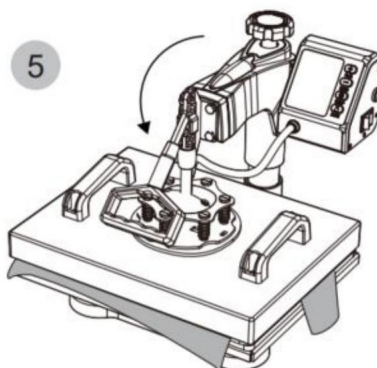
Rotate the heating platen to one side



Pull out the lower panel, place the clothes flat on the platen, and place the pattern on the clothes.



Rotate this switch to adjust pressure



## CONTRÔLEUR DE TEMPÉRATURE INTELLIGENT MODE OPÉRATOIRE

### 1. Préparation avant utilisation : 1.1

Vérifiez la connexion entre la fiche d'alimentation et la prise électrique de l'armoire électrique.

Assurez-vous d'utiliser un fil de terre sûr !!!

1.2 L'élément de presse à chaud doit être correctement branché sur la machine avant de mettre celle-ci sous tension. Branchez votre cordon électrique sur la machine. Branchez la prise électrique sur la prise murale. Mettez l'interrupteur marche/arrêt sur marche.

## 2. Réglage de la température requise :

Réglez la température et le temps selon le tableau ci-dessous et obtenez les réglage de température et de temps correspondant. (La température est mesurée en Degrés Fahrenheit.)

Objet de presse	Initial	Le plus élevé	Chauffage adéquat (Fois)
	Température	Température	
Tasses	230	330	40
Carrelage	230	330	40
Panneau métallique	230	330	40
Plaque	230	355	150
T-shirt	230	355	Papier de sublimation : 30-50 s
			Papier pour t-shirt : 10 à 20 s

Réglage initial de la température (plage : 200-450 )

Appuyez UNE FOIS sur le bouton « MODE », le « voyant de réglage » devient rouge. Appuyez ensuite sur la touche « plus/moins » pour régler la température de chauffage initiale.

### B. Réglage de température le plus élevé (plage : 93-232 )

Appuyez sur le bouton « MODE » pour la DEUXIÈME FOIS ; voyez le « voyant de température » devient rouge. Appuyez ensuite sur la touche « plus ou moins » pour régler le chauffage le plus élevé température.

### C. Réglage approprié du temps de chauffage (plage : 0 à 999 s)

Appuyez sur le bouton « MODE » pour la TROISIÈME FOIS ; voyez le « voyant horaire » devenir rouge. Appuyez ensuite sur la touche « plus ou moins » pour régler le temps de chauffe approprié.

### D. Fahrenheit en Celsius

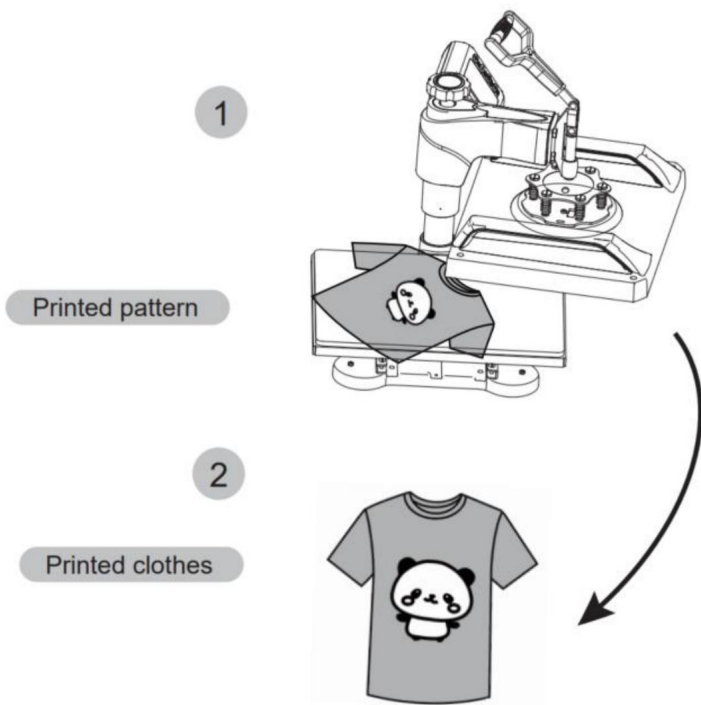
Après avoir allumé la machine de marquage à chaud, appuyez sur les boutons + et - simultanément pendant environ cinq secondes. Lorsque PAE s'affiche, appuyez sur la touche Appuyez sur la touche MODE pour afficher (FC) et changez F en C dans l'affichage de l'heure, de sorte que Fahrenheit est converti en Celsius.

## 3. Terminez le réglage et préparez-vous à travailler

Appuyez sur le bouton « MODE » pour la QUATRIÈME FOIS ; terminez le réglage, le voyant de réglage est allumé et la température continuera à augmenter. Lorsque le maximum défini température est atteinte, le compte à rebours commence. Une fois le compte à rebours terminé, le

Le son « BEEF » sera émis, le voyant lumineux s'éteindra et le fonctionnement sera lancé.

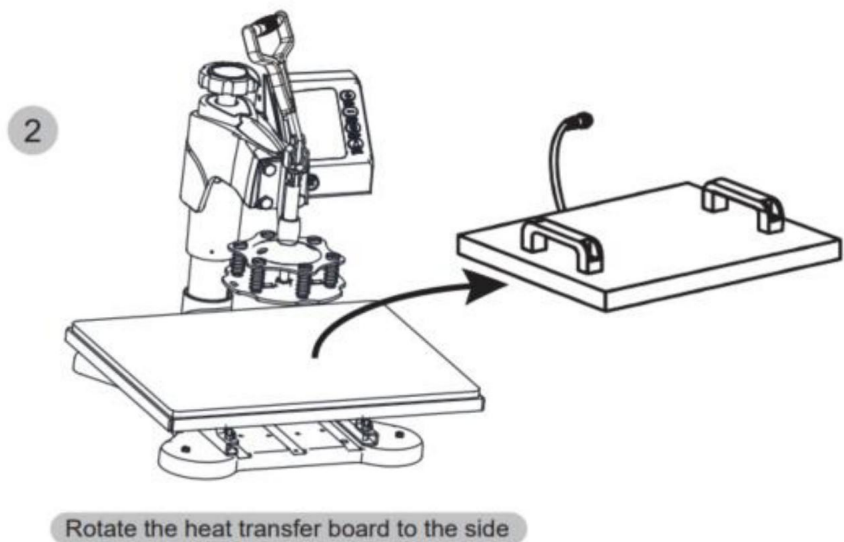
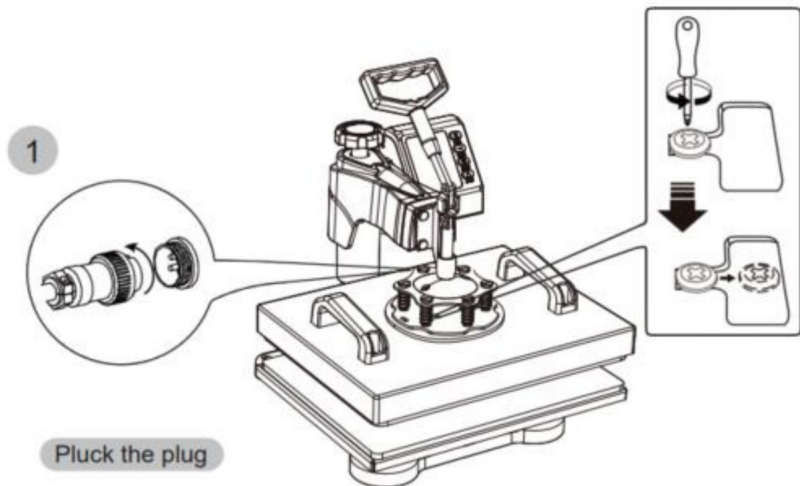
terminé, et la machine est prête à fonctionner.



Coupez l'alimentation et retirez le tapis. Il est recommandé de porter des gants résistants à la chaleur lors du retrait des vêtements ou de les retirer après 2 à 3 minutes. Faites attention à la chaleur.

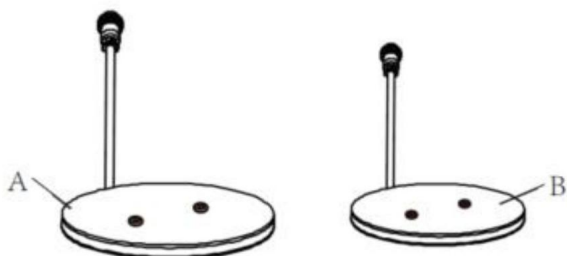
REPLACER LE TAPIS DE LA PLAQUE DE CUISSON

Utilisez un tournevis cruciforme pour dévisser les vis dans les deux trous de la plaque de pression afin de remplacer les accessoires.



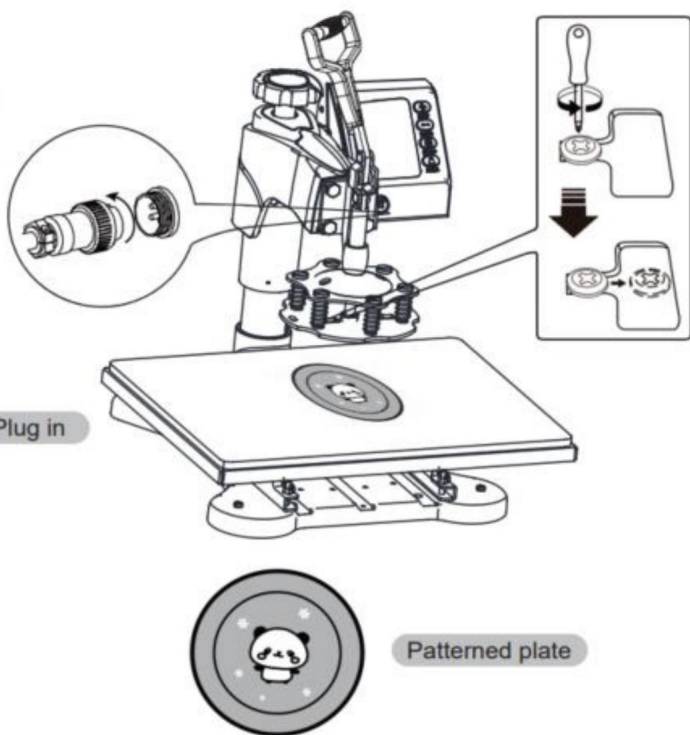
REPLACER PAR UNE PRESSE À PLAQUE

3



Select the appropriate size daking pan mat(Part A or B)

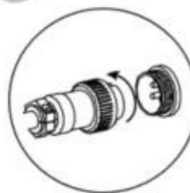
4



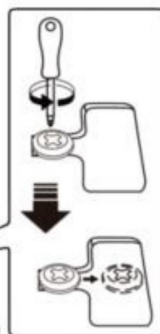


REPLACER LE TAPIS DE PROTECTION DU SUPPORT

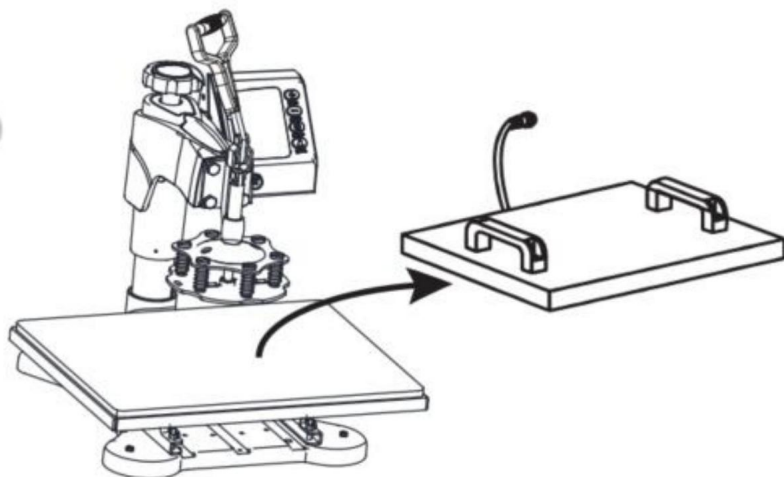
1



Pluck the plug



2

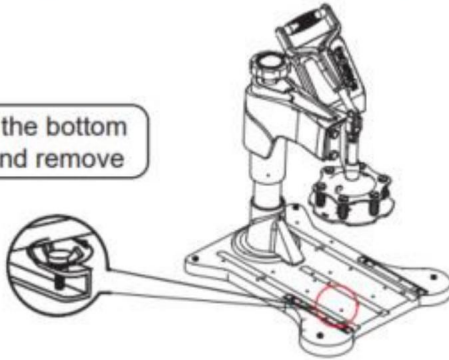


Rotate the heat transfer board to the side

3

Unscrew the four butterfly screws at bottom

Loosen the bottom screw and remove



Lift the cushion up

4

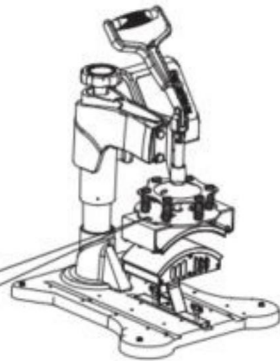
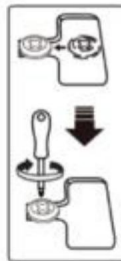


5

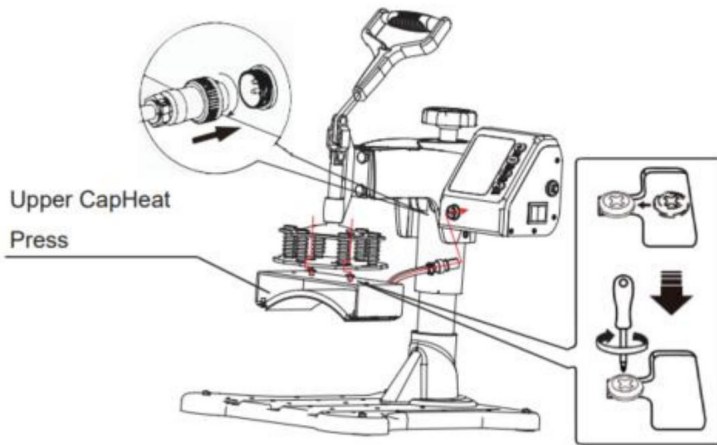


Install the backing pad (part 4)

6



Use the screwdriver 4 to tighten the 2 screws just removed and put the cap on



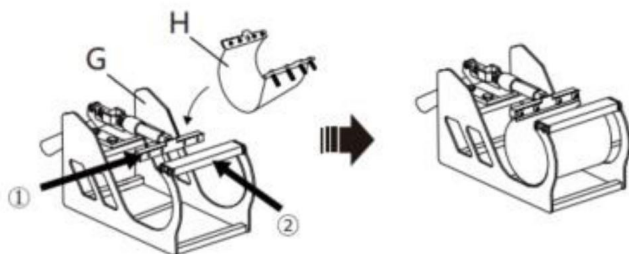
1. Prenez 2 vis à tête bombée et verrouillez-les dans le trou au milieu de la presse à capuchon. Ne verrouillez pas les vis à tête bombée, laissez 5 à 7 mm, puis clipsez la vis à tête bombée dans la fente le long du trajet indiqué et verrouillez-la avec un tournevis. Insérez la tête mâle du bouchon de presse à capuchon dans la tête femelle du contrôleur et serrez l'écrou.



Shaped hat

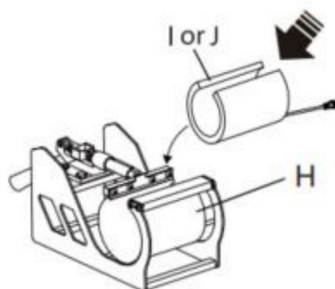
## REPLACER LE SOUS-VERRE DE SUPPORT

1

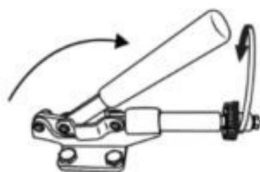


Install H to Part G.  
(Tighten the screws on both sides.  
We suggest to tighten the screws on the ① side first, and then tighten the screws on the ② side)

Select the appropriate size backing coaster (Part I or J) Put the cup in Part H.



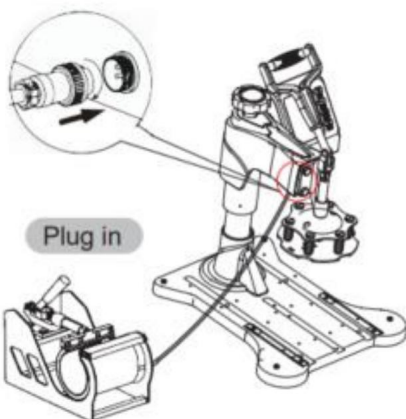
2



Adjust the tightness

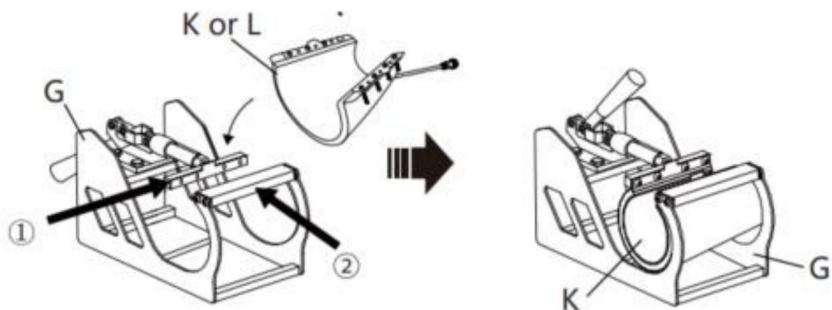


Shaped cup



Plug in

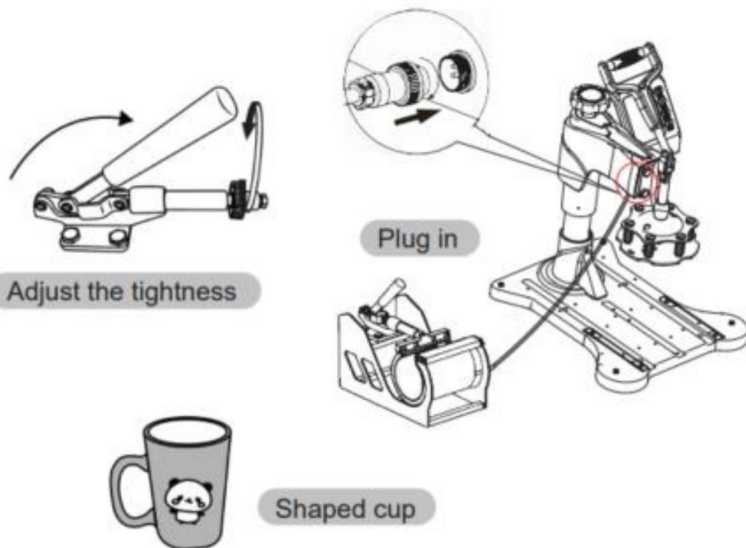
1



And install K or L to Part G.  
(Tighten the screws on both  
sides. We suggest to tighten  
the screws on the ① side  
first, and then tighten the  
screws on the ② side)

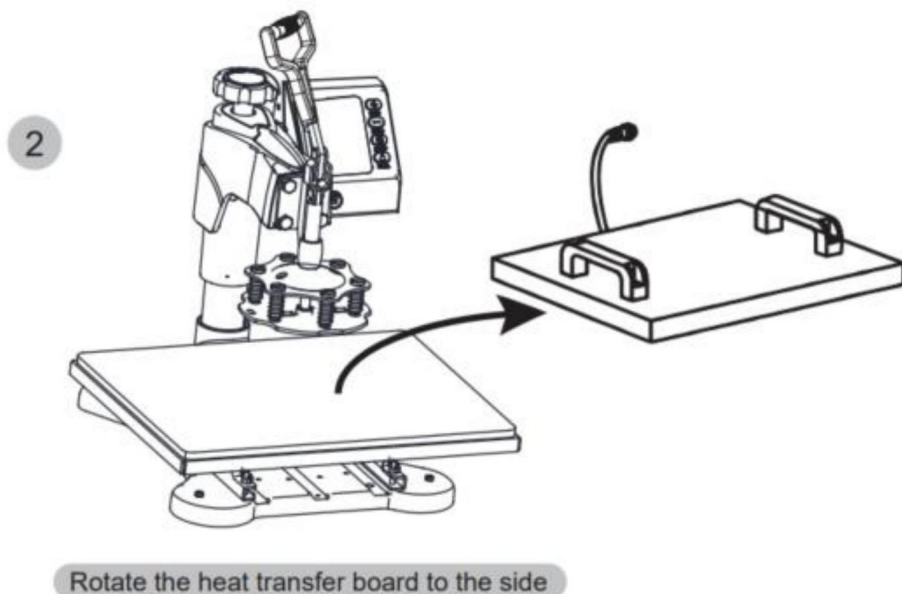
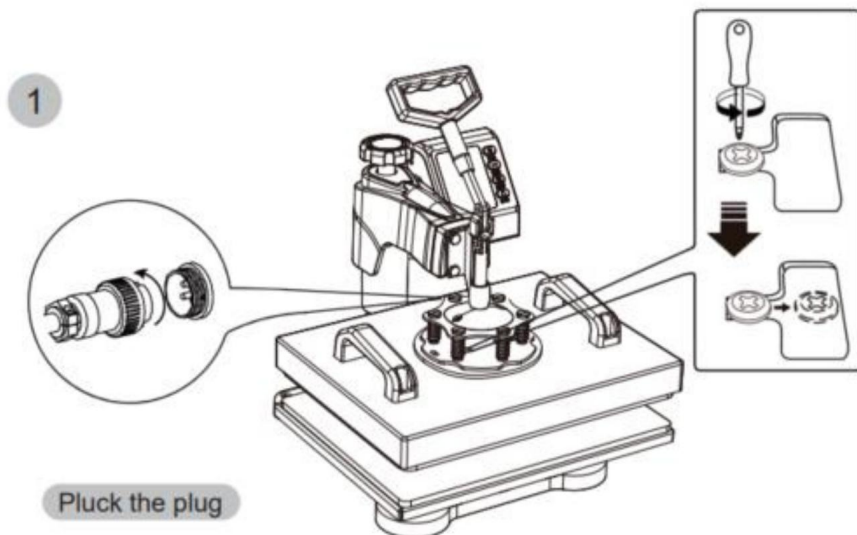
Put the cup in Part G

2

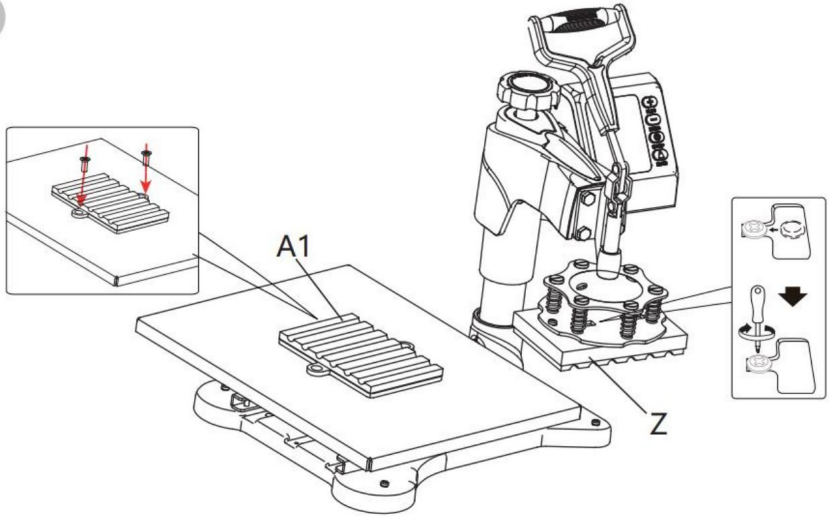


## REPLACER LE STYLO DE CUISSON

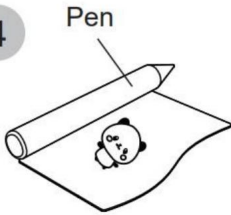
Utilisez un tournevis cruciforme pour dévisser les vis dans les deux trous de la plaque de pression afin de remplacer les accessoires.



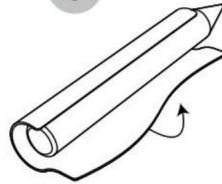
3



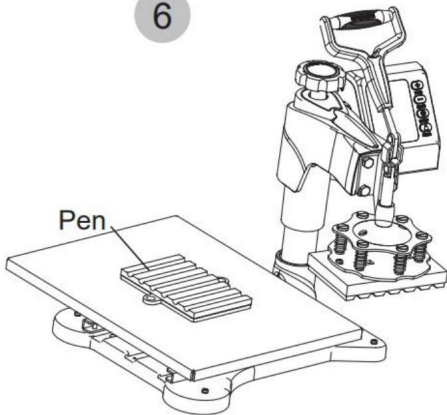
4



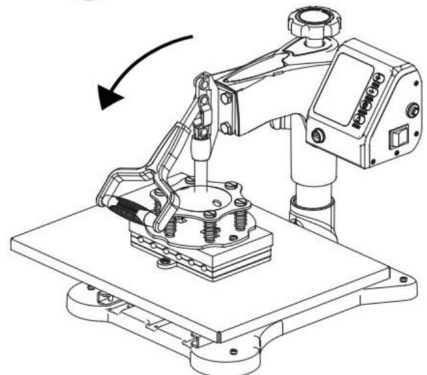
5



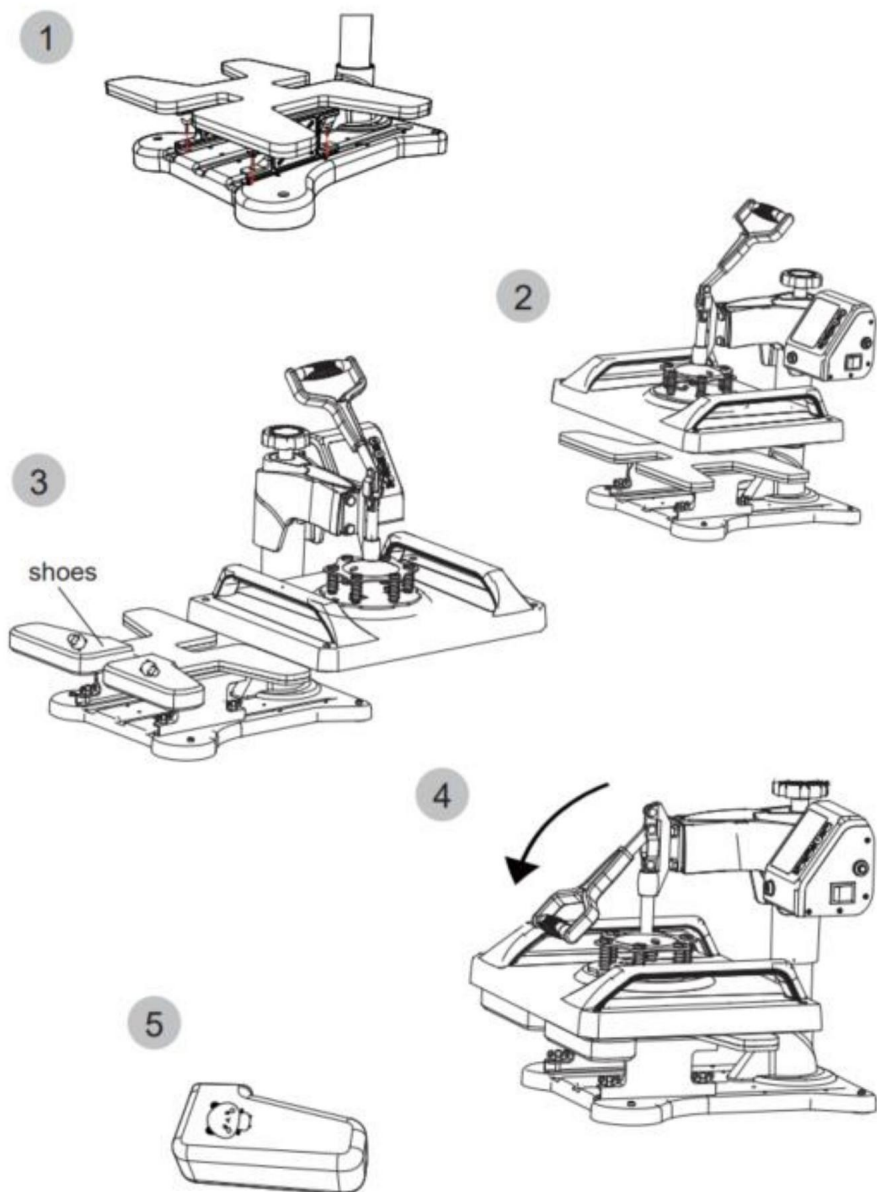
6



7



REPLACER LES CHAUSSURES DE CUISINE





## TRAITEMENT DES DÉFAUTS DE QUALITÉ EN TRANSFERT

1. Couleur claire ou image décolorée : température insuffisante / pression incorrecte / Temps insuffisant.
2. Image floue : le temps de pression est trop long.
3. Une partie du motif est floue : la chaleur n'est pas distribuée correctement à travers la plaque chauffante, de sorte que le temps de travail peut être augmenté de manière appropriée. Il peut également être la cause d'une répartition inégale de la pression, qui peut être réglée sur quatre cartes régulateurs. Veuillez noter que les quatre régulateurs du conseil ont été mis en place avant ils quittent l'usine et ne devraient normalement pas avoir besoin d'être réglés.
4. Motif sombre : trop de pression ou de température.
5. Motif cicatrisé : le temps de transfert est trop long.
6. Différentes couleurs de motifs : pression incorrecte ou mauvaise qualité de transfert papier.
7. Motif brûlé : température élevée ou encre de mauvaise qualité.

Fabricant:Shanghaimuxinmuyeyouxiangongsi

Adresse : Shuangchenglu 803nong11hao1602A-1609shi, baoshanqu, Shanghai 200000 CN.

Importé en Australie : SIHAO PTY LTD. 1 ROKEVA STREETEASTWOOD NSW 2122 Australie

Importé aux États-Unis : Sanven Technology Ltd. Suite 250, 9166 Anaheim Lieu, Rancho Cucamonga, CA 91730



E-CrossStu GmbH  
Mainzer Landstr.69, 60329 Francfort-sur-le-Main.



YH CONSULTING LIMITÉE.  
C/O YH Consulting Limited Bureau 147, Centurion House,  
Route de Londres, Staines-upon-Thames, Surrey, TW18 4AX





**VEVOR<sup>®</sup>**

**TOUGH TOOLS, HALF PRICE**

Assistance technique et certificat de garantie  
électronique [www.vevor.com/support](http://www.vevor.com/support)

# VEVOR<sup>®</sup>

## TOUGH TOOLS, HALF PRICE

Technischer Support und E-Garantie-Zertifikat [www.vevor.com/support](http://www.vevor.com/support)

### Wärmepressmaschine

Wir sind weiterhin bestrebt, Ihnen Werkzeuge zu wettbewerbsfähigen Preisen anzubieten.

„Sparen Sie die Hälfte“, „Halber Preis“ oder andere ähnliche Ausdrücke, die wir verwenden, stellen nur eine Schätzung der Ersparnis dar, die Sie beim Kauf bestimmter Werkzeuge bei uns im Vergleich zu den großen Topmarken erzielen können, und decken nicht unbedingt alle von uns angebotenen Werkzeugkategorien ab. Wir möchten Sie freundlich daran erinnern, bei Ihrer Bestellung bei uns sorgfältig zu prüfen, ob Sie im Vergleich zu den großen Topmarken tatsächlich die Hälfte sparen.

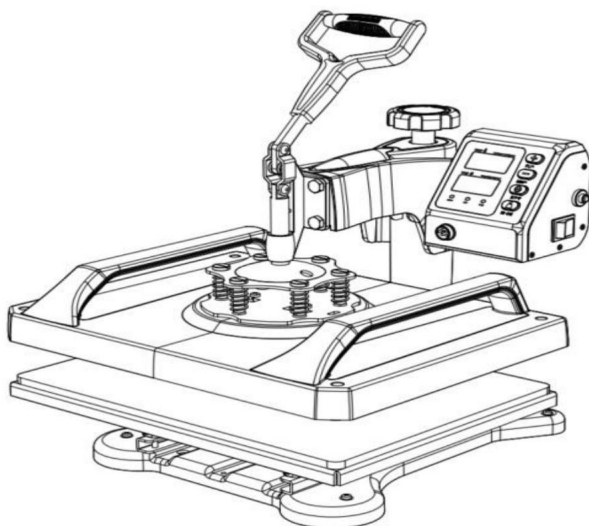


# VEVOR®

TOUGH TOOLS, HALF PRICE

Wärmepressmaschine

MODELL: TL1215/TL1515






## Brauchen Sie Hilfe? Kontaktieren Sie uns!

Sie haben Fragen zu unseren Produkten? Sie benötigen technischen Support? Dann kontaktieren Sie uns gerne:

**Technischer Support und E-Garantie-Zertifikat**  
**[www.vevor.com/support](http://www.vevor.com/support)**

Dies ist die Originalanleitung. Bitte lesen Sie alle Anweisungen sorgfältig durch, bevor Sie das Gerät in Betrieb nehmen. VEVOR behält sich eine klare Auslegung unserer Bedienungsanleitung vor. Das Erscheinungsbild des Produkts richtet sich nach dem Produkt, das Sie erhalten haben. Bitte verzeihen Sie uns, dass wir Sie nicht erneut informieren, wenn es Technologie- oder Software-Updates für unser Produkt gibt.

Symbol	Symbol Beschreibung
	<p><b>Warnung:</b> Um das Verletzungsrisiko zu verringern, muss der Benutzer die</p> <p>Lesen Sie die Bedienungsanleitung sorgfältig durch.</p>
	<p>Dieses Symbol vor einem Sicherheitshinweis weist auf eine Art</p> <p>Vorsichtsmaßnahme, Warnung oder Gefahr. Das Ignorieren dieser Warnung kann zu</p> <p>ein Unfall. Um das Risiko von Verletzungen, Bränden oder Stromschlägen zu</p> <p>verringern, befolgen Sie bitte immer die unten aufgeführten Empfehlungen.</p>
	<p><b>KORREKTE ENTSORGUNG:</b></p> <p>Dieses Produkt unterliegt den Bestimmungen der europäischen Richtlinie</p> <p>2012/ 19/EG. Das Symbol einer durchgestrichenen Mülltonne</p> <p>durch bedeutet, dass das Produkt einer getrennten Entsorgung unterliegt</p> <p>Sammlung in der Europäischen Union. Dies gilt für das Produkt und</p> <p>alle mit diesem Symbol gekennzeichneten Zubehörteile. Produkte, die als</p> <p>Diese dürfen nicht mit dem normalen Hausmüll entsorgt werden, sondern</p> <p>müssen an einer Sammelstelle für das Recycling von Elektro- und Elektronikgeräten abgegeben werden.</p> <p>elektronische Geräte.</p>

## WARNUNG

1. Warnungen müssen sorgfältig befolgt werden, um Körperverletzungen zu vermeiden, unsachgemäßer Gebrauch kann zu Stromschlag, Brand, Verletzungen und anderen Schäden führen:

- 1) Beim Bewegen der Maschine stets den Stecker ziehen.
- 2) Beim Installieren von Zubehör immer den Stecker ziehen.
- 3) Auf eine flache und stabile Plattform stellen und unter belüfteten Bedingungen betreiben.
- 4) Tragen Sie beim Betrieb der Maschine spezielle Schutzausrüstung.
- 5) Verwenden Sie diese Maschine nicht in Gefahrenbereichen.
- 6) Nicht verwenden, wenn die Maschine nicht ordnungsgemäß funktioniert.
- 7) Zerlegen und reparieren Sie diese Maschine nicht.
- 8) Verwenden Sie keine ungeeignete Steckdose.
- 9) Berühren Sie die Heizplatte nicht, wenn die Maschine heizt
- 10) Nicht in feuchter Umgebung oder bei Kontakt mit Wasser verwenden. Nicht eindringen lassen. Flüssigkeit in der Maschine, um Feuer oder Stromschläge durch Kurzschluss zu verhindern.
- 11) Verwenden Sie kein Netzteil, das die angegebene Spannung nicht erfüllt.



Eine Stromversorgung, die die angegebene Spannung nicht erfüllt, kann zu Bränden oder Stromschlägen führen. Schock.

12) Stellen Sie sicher, dass die Maschine geerdet ist, um Verletzungen vorzubeugen.

13) Berühren Sie die rotierende Stange oder das Lagerteil während des Gebrauchs nicht mit den Fingern.

im Falle von Verletzungen.

14) Wenn die Maschine längere Zeit nicht benutzt wird, ziehen Sie bitte das Netzkabel ab aus der Steckdose.

15) Benutzen Sie die Maschine nicht bei Gewitter oder Blitzeinschlag, um Schäden zu vermeiden zur Maschine.

16) Stellen Sie die Maschine flach auf den feuerfesten Tisch und halten Sie sie von brennbaren und explosiven Gegenständen.

17) Stellen Sie die Nutzung der Maschine bitte ein, wenn sie raucht, einen eigenartigen Geruch , oder abgibt, laut wird oder andere ungewöhnliche Zustände aufweist.

18) Dieses Gerät kann von Kindern ab 8 Jahren verwendet werden und

Personen mit eingeschränkten körperlichen, sensorischen oder geistigen Fähigkeiten oder Mangel an Erfahrung und Wissen

wenn sie beaufsichtigt werden oder Anweisungen zur Benutzung des

Gerät sicher bedienen und die damit verbundenen Gefahren verstehen. Kinder dürfen das Gerät nicht mit dem Gerät spielen. Reinigung und Benutzerwartung dürfen nicht von

Kinder ohne Aufsicht

19) Typ X-Anschluss: Wenn das Netzkabel beschädigt ist, muss es durch ein

Spezialkabel oder -baugruppe sind beim Hersteller oder seinem Kundendienst erhältlich.

20) Um eine Gefährdung durch unbeabsichtigtes Zurücksetzen des Thermoschutzschalters zu vermeiden,

Das Gerät darf nicht über ein externes Schaltgerät mit Strom versorgt werden, wie z.

als Zeitschaltuhr oder an einen Stromkreis angeschlossen, der regelmäßig vom

Dienstprogramm.



**Warning**

Bitte schalten Sie den Strom aus, wenn Sie den Stecker einstecken oder abziehen



## FCC-INFORMATIONEN

**ACHTUNG:** Änderungen oder Modifikationen, die nicht ausdrücklich von der Partei genehmigt wurden Konformitätsverantwortung kann zum Erlöschen der Berechtigung des Benutzers zum Betrieb des Ausrüstung!

Dieses Gerät entspricht Teil 15 der FCC-Bestimmungen. Der Betrieb unterliegt an die folgenden beiden Bedingungen:

- 1) Dieses Produkt kann schädliche Störungen verursachen.
- 2) Dieses Produkt muss alle Störungen akzeptieren, einschließlich Störungen, die zu unerwünschtem Betrieb führen können.

**ACHTUNG:** Änderungen oder Modifikationen an diesem Produkt, die nicht ausdrücklich von der für die Einhaltung der Vorschriften verantwortlichen Partei genehmigt wurde, kann zum Erlöschen der Berechtigung zum Betrieb des Produkts.

**Hinweis:** Dieses Produkt wurde getestet und entspricht den Grenzwerten für ein digitales Gerät der Klasse B gemäß Teil 15 der FCC-Bestimmungen. Diese Grenzwerte sollen einen angemessenen Schutz vor schädlichen Störungen in einer Wohnanlage.

Dieses Produkt erzeugt und verwendet Hochfrequenzenergie und kann diese auch ausstrahlen.

Wenn die Installation und Verwendung nicht gemäß den Anweisungen erfolgt, kann dies zu Störungen des Funkverkehrs. Es gibt jedoch keine

garantieren, dass bei einer bestimmten Installation keine Störungen auftreten. Wenn dies Das Produkt verursacht keine Störungen beim Radio- oder Fernsehempfang.

Empfang, der durch Aus- und Einschalten des Produkts überprüft werden kann,

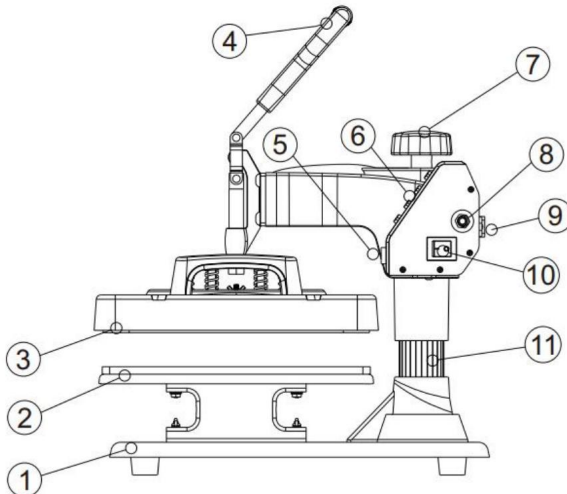
Der Benutzer wird aufgefordert, die Störung durch eine oder mehrere der folgenden Maßnahmen zu beheben: Maßnahmen.

- Empfangsantenne neu ausrichten oder verlegen.
- Vergrößern Sie den Abstand zwischen Produkt und Empfänger.
- Schließen Sie das Produkt an eine Steckdose eines anderen Stromkreises an als den, an den der Receiver ist angeschlossen.
- Wenden Sie sich an den Händler oder einen erfahrenen Radio-/Fernsehtechniker.

## SPEZIFIKATION

<b>Modell</b>	<b>TL1215</b>		<b>TL1515</b>	
<b>Wärmegröße</b>	<b>12x15 Zoll (29x38cm)</b>		<b>15x15 Zoll (38x38cm)</b>	
<b>Temperatur</b> Reichweite	<b>32–450 °F (0–232 °C)</b>		<b>32–450 °F (0–232 °C)</b>	
<b>Zeitbereich 0-999 Sekunden</b>			<b>0-999 Sekunden</b>	
<b>Stromspannung</b>	<b>120 V ~ 60 Hz</b>	<b>220-240 V~ 50 Hz</b>	<b>120 V ~ 60 Hz</b>	<b>220-240 V~ 50 Hz</b>
<b>Leistung</b>	<b>900 W</b>	<b>1250 W</b>	<b>1200 W</b>	<b>1250 W</b>

## ÜBERSICHT ÜBER IHRE TRANSFERPRESSE



Nummer	Teilename	Nummer	Teilename
1	Sockel	7	Hubknopf
2	Platzierung	8	Überlastschutz
3	Heizplatte	9	Steckdose
4	Handhaben	10	Netzschalter
5	Luftfahrtstecker	11	Spalte
6	Taste	12	

·Der Druckeinstellknopf steuert die Kraft, die verwendet wird, um

drücken Sie das übertragene Bild in die Fasern des Kleidungsstückes. Im Uhrzeigersinn erhöht Druck. Gegen den Uhrzeigersinn verringert ihn.

·Über das Bedienfeld auf der rechten oberen Seite des Gehäuses können Sie die Temperatur einstellen und Zeitanforderungen Ihres Projekts. Diese variieren je nach Vinyl oder Transferpapier verwendet.

· Der Griff öffnet und schließt die oberen und unteren beheizten Platten der Drehpresse.



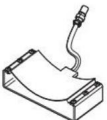

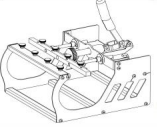
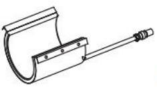
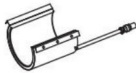
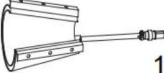
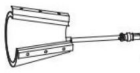


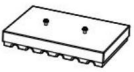
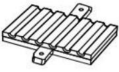
·Der Überlastschutz ist ein Leistungsschalter. Er springt heraus, wenn eine Überlastung des Strom.



Zum Zurücksetzen drücken.

·Der Netzschalter muss auf „Ein“ gestellt sein und das Kabel muss eingesteckt sein.

vor dem Pressen.

## ERSATZTEIL

 <b>A</b>	 <b>B</b>	 <b>C</b>
 <b>D</b>	 <b>E</b>	 <b>F</b>
 <b>G</b>	 <b>H</b>	 <b>I</b>
 <b>J</b>	 <b>K</b>	 <b>L</b>
 <b>M</b>		

	1PC
A Phillips screwdriver can be turned into a slotted screwdriver by rotating it 180 degrees	
	1PC

	A	B	C	D	E	F	G	H		J	K	M	M
2 in 1			ÿ	ÿ									
5 in 1	ÿ	ÿ	ÿ	ÿ	ÿ	ÿ							
6 in 1ÿ	ÿ	ÿ	ÿ	ÿ	ÿ	ÿ	ÿ						
6 in 1ÿ	ÿ	ÿ	ÿ	ÿ	ÿ	ÿ					ÿ		
8 in 1	ÿ	ÿ	ÿ	ÿ	ÿ	ÿ	ÿ	ÿ	ÿ				
10 in 1	ÿ	ÿ	ÿ	ÿ	ÿ	ÿ	ÿ	ÿ	ÿ	ÿ		ÿ	ÿ
11 in 1	ÿ	ÿ	ÿ	ÿ	ÿ	ÿ	ÿ	ÿ	ÿ	ÿ	ÿ	ÿ	ÿ

## SO KALIBRIEREN SIE IHRE NEUE TRANSFERPRESSE

1. Drehen Sie den Druckknopf ein paar Mal gegen den Uhrzeigersinn, um den Druck auf die Walzen.
2. Legen Sie ein Blatt Papier auf die Unterseite der Walze.
3. Die Drehpresse mit dem Griff schließen.
4. Ziehen Sie am Papier.
5. Wenn sich das Papier überhaupt bewegt, drehen Sie den Knopf im Uhrzeigersinn und versuchen Sie es erneut.
6. Versuchen Sie es erneut und wiederholen Sie den Vorgang, bis sich das Papier überhaupt nicht mehr bewegt. Dies ist Ihr „Medium“ Druck.

Von der Einstellung „Mittel“ aus wird der Hochdruck um ein bis zwei Umdrehungen im Uhrzeigersinn erhöht. Druck wird gegen den Uhrzeigersinn um ein bis zwei Umdrehungen erhöht. (Die Anzahl der Umdrehungen wird hängen von der Dicke des Kleidungsstückes ab.

## TEMPERATURE UND ZEIT EINSTELLEN

- PLUS
- + MINUS
- ⚙️ SETUP
- 👉 START




### 1. Wie schalte ich es ein/aus und wie starte ich es?

Drücken Sie den Schalter an der Seite der Temperaturkontrollbox, um sie einzuschalten.

Countdown-Starttaste. Einmal drücken, um den Countdown zu starten. Noch einmal drücken, um zurückzusetzen.

### 2. Wie stelle ich Temperatur/Zeit ein?

Einmal  drücken, um die Temperatur einzustellen, zweimal drücken, um die Uhrzeit einzustellen, und erneut drücken zum Beenden. (Der Temperatur-/Zeit-Setup-Zustand wird automatisch beendet, wenn keine Bedienung innerhalb von 5sec.).

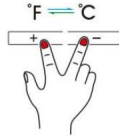
**3. Wie stelle ich die Temperatur/Zeit ein, um sie zu erhöhen oder zu verringern?**

**+** Stellen Sie die Zeit/Temperaturerhöhung ein

**-** Stellen Sie die Zeit/Temperaturabsenkung ein

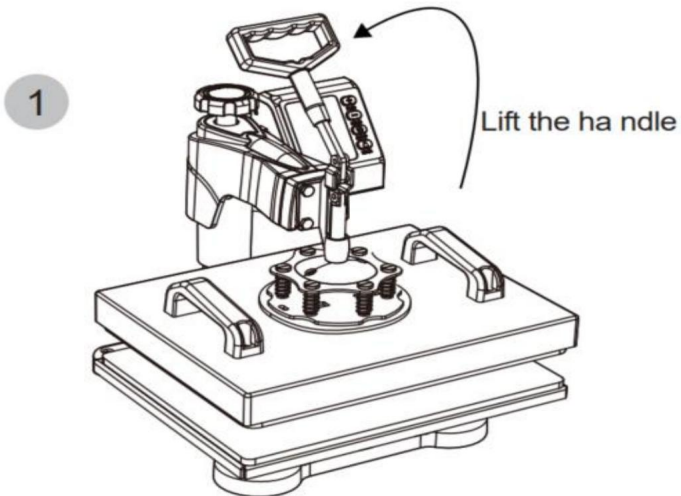
**4. Wie ändere ich die Temperatureinheit von °F auf °C?**

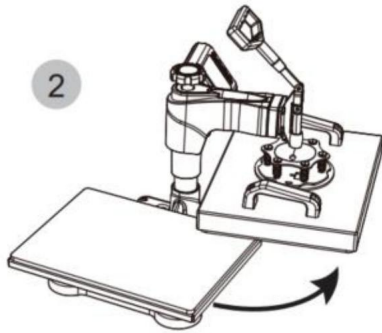
Drücken Sie im eingeschalteten Zustand gleichzeitig „+“ und „-“, um die Temperatureinheit zwischen °F und °C zu ändern.



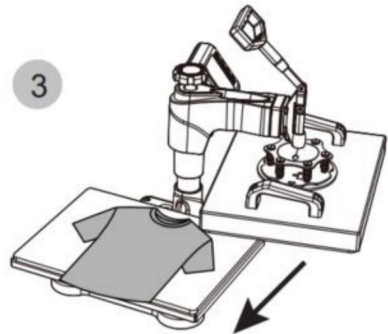
**5. Tipps: Die maximal eingestellte Temperatur dieser Maschine beträgt 232 °C und die längste Zeit beträgt 999 Sekunden.**

**MONTAGE- UND GEBRAUCHSSCHRITTE**





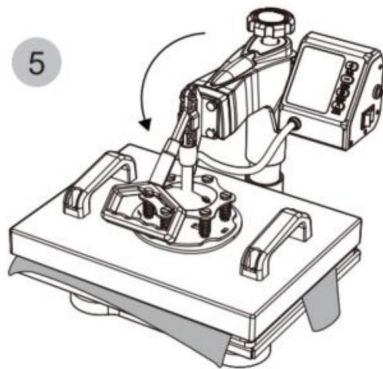
Rotate the heating platen to one side



Pull out the lower panel, place the clothes flat on the platen, and place the pattern on the clothes.



Rotate this switch to adjust pressure



## INTELLIGENTER TEMPERATURREGLER FUNKTION

### 1. Vorbereitung vor der Verwendung: 1.1

Überprüfen Sie die Verbindung zwischen Netzstecker und Steckdose des Schaltschranks.

Stellen Sie sicher, dass Sie ein sicheres Erdungskabel verwenden!!!

1.2 Das Wärmepresselement muss fest in die Maschine eingesteckt sein, bevor Sie die Maschine einschalten. Stecken Sie Ihr Stromkabel in die Maschine. Stecken Sie die Steckdose in die Wandsteckdose. Schalten Sie den Ein-/Ausschalter ein.



**2. Gewünschte Temperatur einstellen:**

Stellen Sie Temperatur und Zeit entsprechend der nachstehenden Tabelle ein und erhalten Sie die spezifischen entsprechende Temperatur- und Zeiteinstellung. (Die Temperatur wird gemessen in Grad Fahrenheit.)

Objekt drücken	Anfänglich Temperatur	Höchste Temperatur	Richtiges Heizen (Mal)
Tassen	230	330	40
Fliesen	230	330	40
Metallplatte	230	330	40
Platte	230	355	150
T-Shirt	230	355	Sublimationspapier: 30–50 s
			T-Shirt-Papier: 10–20 s

Anfangstempureinstellung (Bereich: 200–450 °F)

Drücken Sie EINMAL die Taste „MODE“, bis die „Set-Leuchte“ rot leuchtet. Drücken Sie dann die „Plus-/Minus-Taste“, um die anfängliche Heiztemperatur einzustellen.

B. Höchste Temperatureinstellung (Bereich: 93–232 °C)

Drücken Sie die Taste „MODE“ ZUM ZWEITEN MAL. Die „Temperaturanzeige“ leuchtet auf. rot. Drücken Sie dann die „Plus- oder Minus-Taste“, um die höchste Heizleistung einzustellen Temperatur.

C. Richtige Einstellung der Heizzeit (Bereich: 0–999 Sek.)

Drücken Sie die Taste „MODE“ ZUM DRITTEN MAL; sehen Sie, wie die „Zeitleuchte“ rot leuchtet. Drücken Sie anschließend die „Plus- oder Minus-Taste“, um die entsprechende Heizzeit einzustellen.

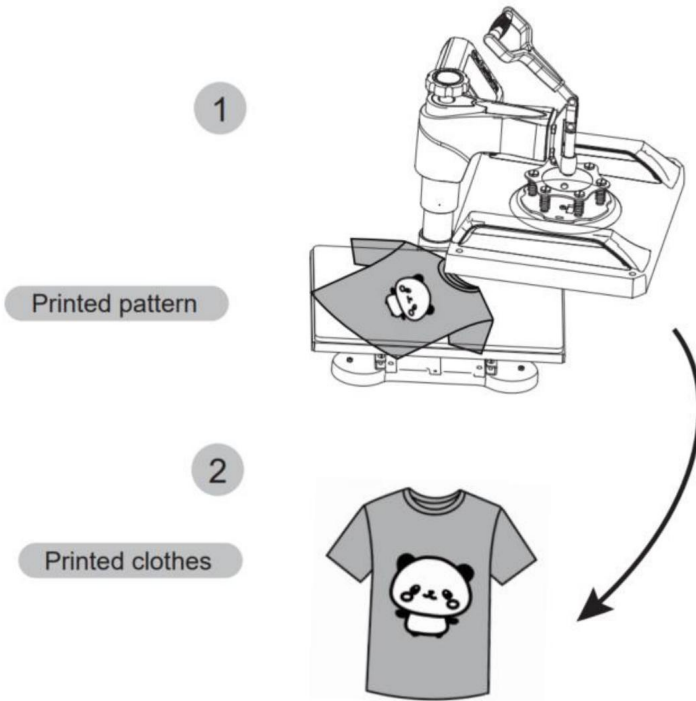
D. Fahrenheit in Celsius

Nach dem Einschalten des Heißpräegeräts drücken Sie die Tasten + und - gleichzeitig für etwa fünf Sekunden. Wenn PAE angezeigt wird, drücken Sie die MODE-Taste auf Anzeige (FC) stellen und im Zeitanzeigerad F auf C ändern, so dass Fahrenheit wird in Celsius umgerechnet.

**3. Beenden Sie die Einstellung und machen Sie sich bereit für die Arbeit**

Drücken Sie die Taste „MODE“ zum VIERTEN MAL. Beenden Sie die Einstellung. Das eingestellte Licht ist eingeschaltet und die Temperatur steigt weiter. Wenn die eingestellte maximale Temperatur erreicht ist, startet der Countdown. Nach Ablauf des Countdowns wird der

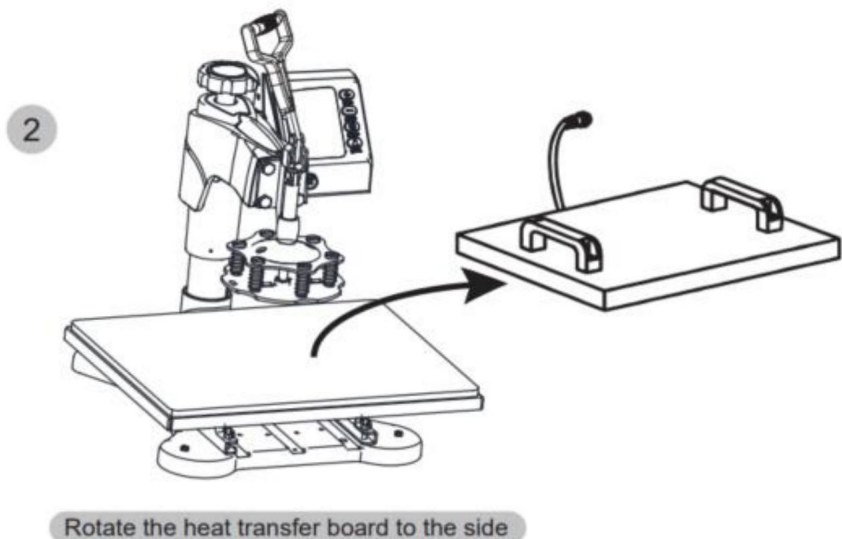
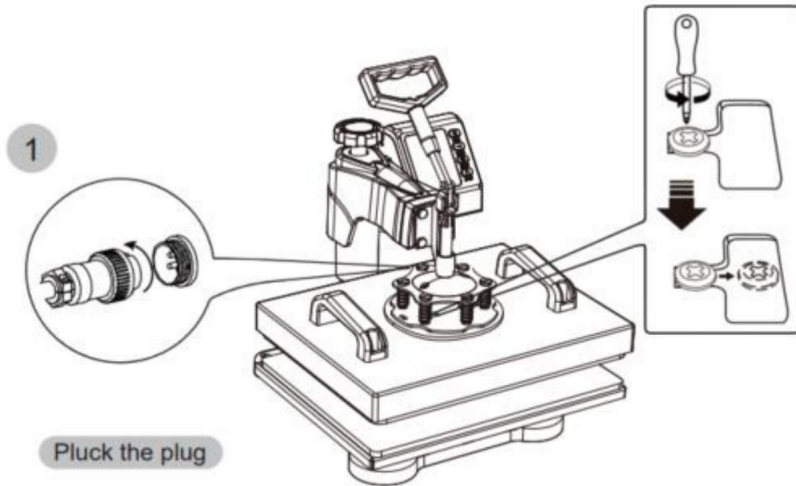
Es ertönt ein „BEEF“-Ton, die Kontrollleuchte erlischt und der Betrieb ist abgeschlossen, und die Maschine ist bereit zur Arbeit.



Schalten Sie den Strom aus und ziehen Sie die Matte heraus. Es wird empfohlen, beim Ausziehen der Kleidung hitzebeständige Handschuhe zu tragen oder diese nach 2-3 Minuten auszuziehen. Seien Sie vorsichtig bei großer Hitze.

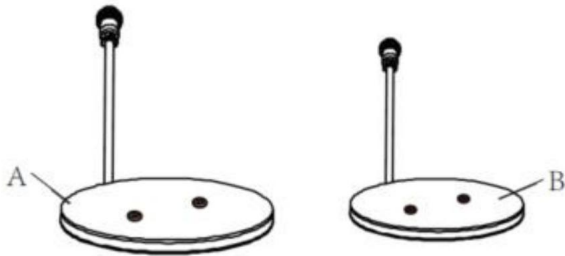
## Backblechmatte ersetzen

Um das Zubehör auszutauschen, schrauben Sie mit einem Kreuzschlitzschraubendreher die Schrauben in den beiden Löchern der Druckplatte heraus.



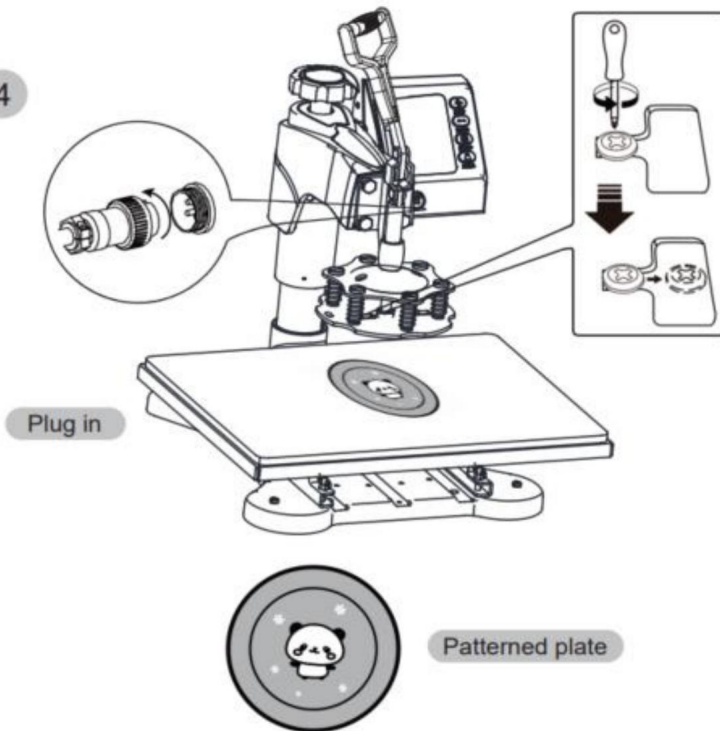
## Ersetzen durch eine Plattenpresse

3



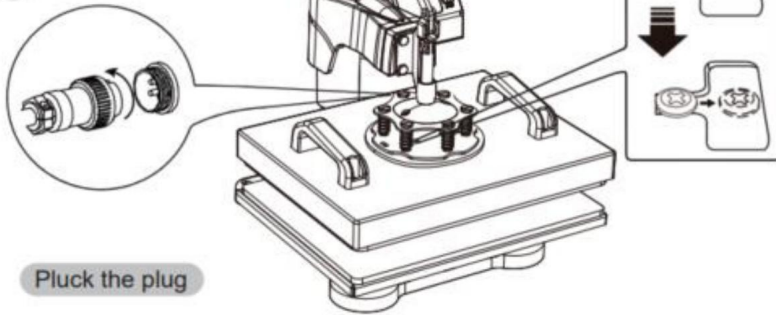
Select the appropriate size daking pan mat(Part A or B)

4

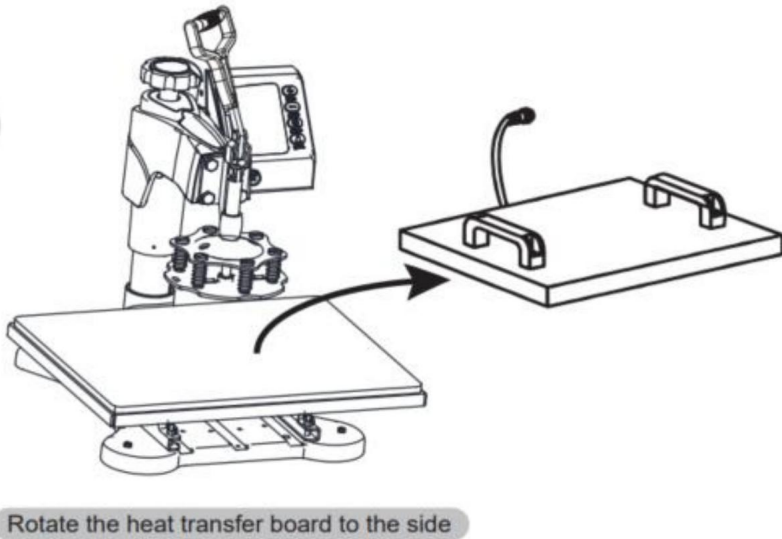


## Stützkappenmatte ersetzen

1



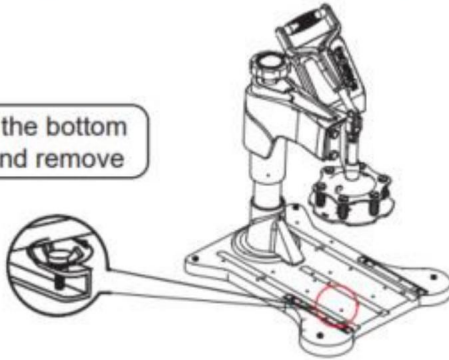
2



3

Unscrew the four butterfly screws at bottom

Loosen the bottom screw and remove



Lift the cushion up

4

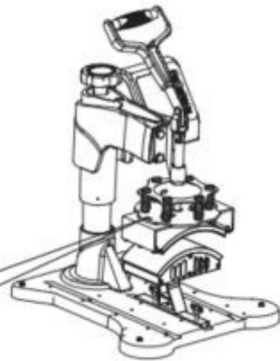
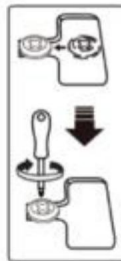


Install the backing pad (part 4)

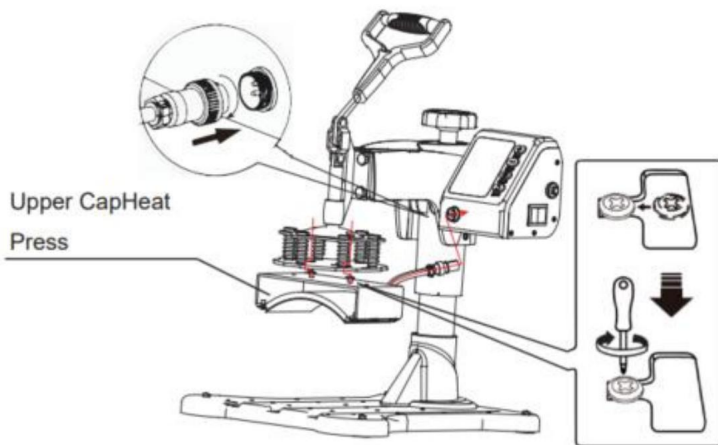
5



6



Use the screwdriver 4 to tighten the 2 screws just removed and put the cap on



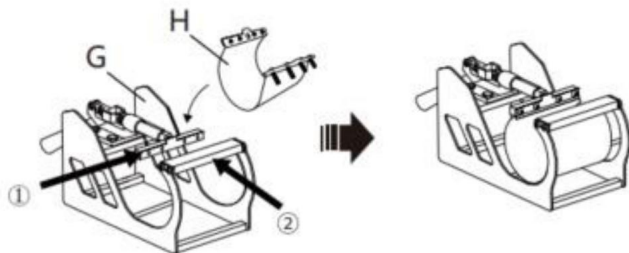
1. Nehmen Sie 2 Linsenkopfschrauben und befestigen Sie sie im Loch in der Mitte der Kappenpresse. Befestigen Sie die Linsenkopfschrauben nicht, sondern lassen Sie 5–7 mm Platz, klemmen Sie die Linsenkopfschraube dann entlang der angegebenen Route in den Schlitz und befestigen Sie sie mit einem Schraubendreher. Stecken Sie den männlichen Kopf des Kappenpressensteckers in den weiblichen Kopf des Controllers und ziehen Sie die Mutter fest.



Shaped hat

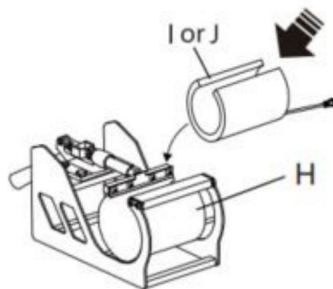
## UNTERSETZER ERSETZEN

1

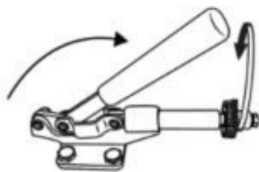


Install H to Part G.  
(Tighten the screws on both sides.  
We suggest to tighten the screws on the ① side first, and then tighten the screws on the ② side)

Select the appropriate size backing coaster (Part I or J) Put the cup in Part H.



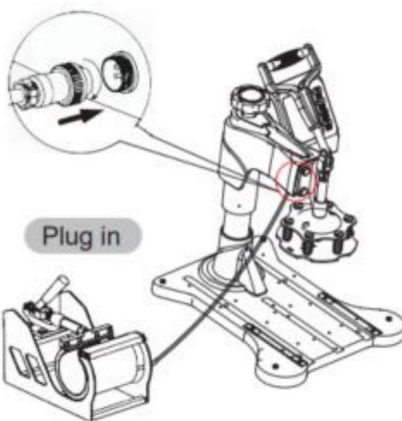
2



Adjust the tightness



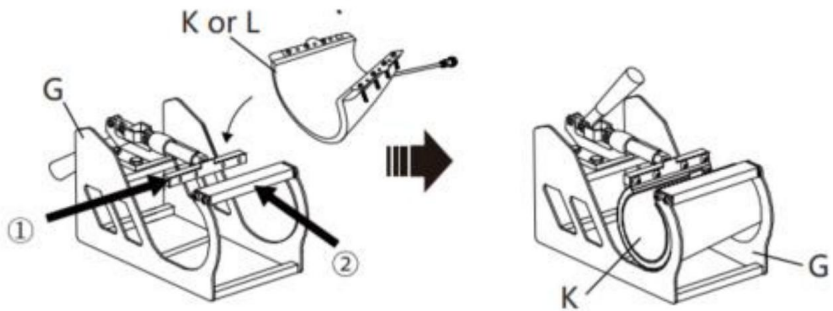
Shaped cup



Plug in



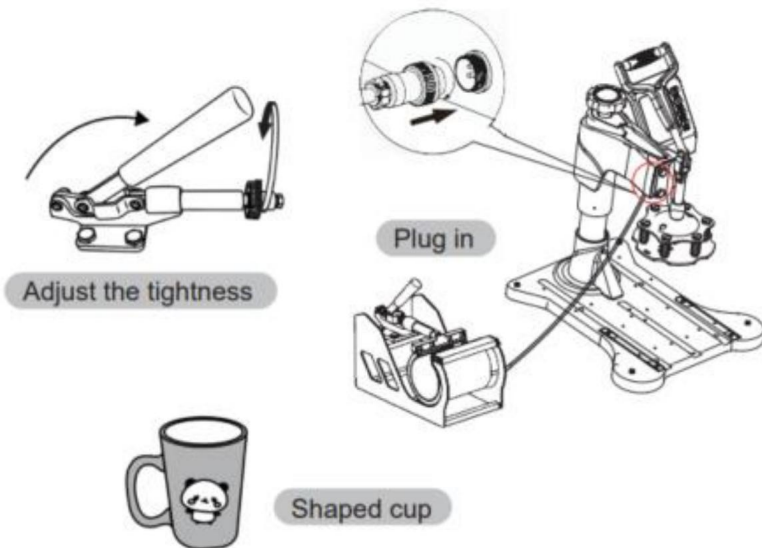
1



And install K or L to Part G. (Tighten the screws on both sides. We suggest to tighten the screws on the ① side first, and then tighten the screws on the ② side)

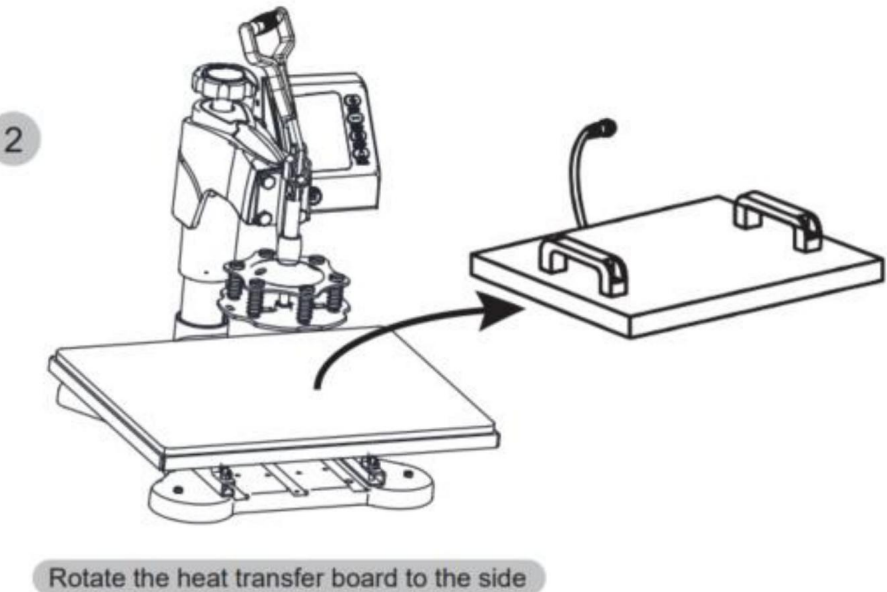
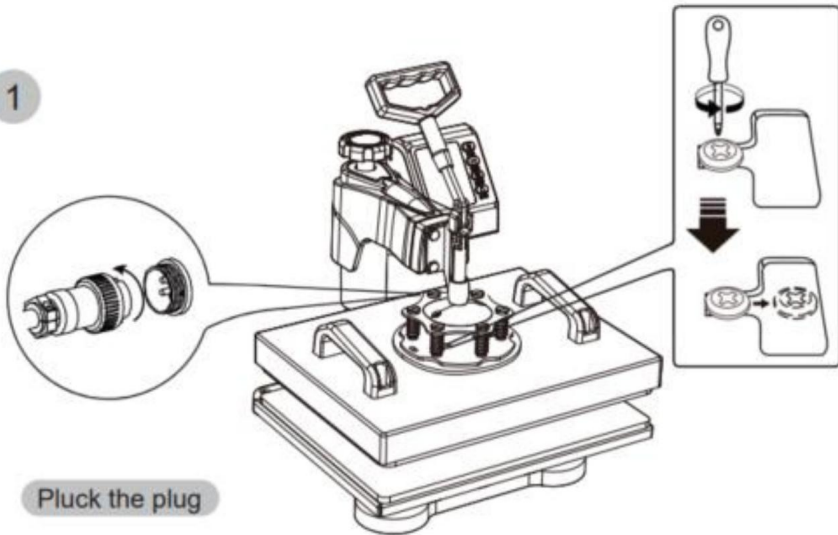
Put the cup in Part G

2

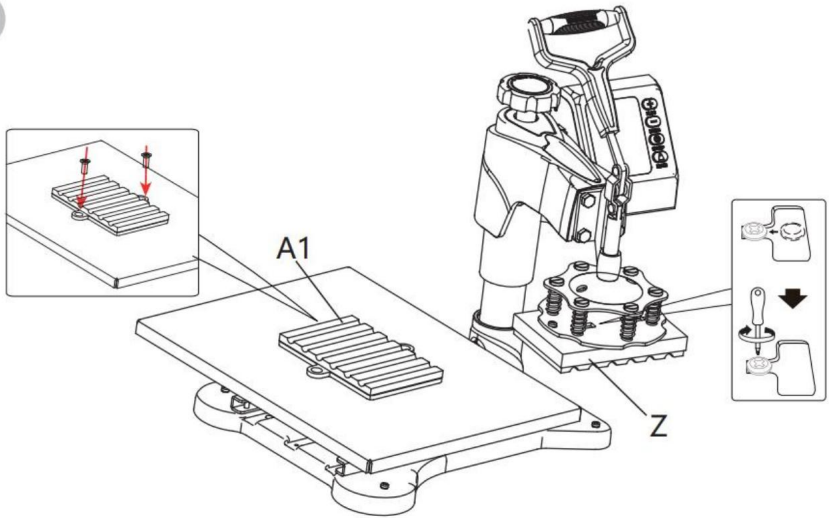


## BACKSTIFT ERSETZEN

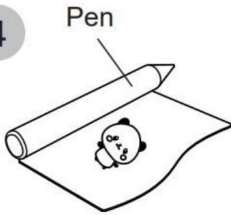
Um das Zubehör auszutauschen, schrauben Sie mit einem Kreuzschlitzschraubendreher die Schrauben in den beiden Löchern der Druckplatte heraus.



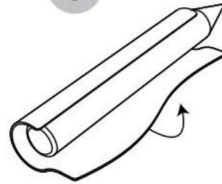
3



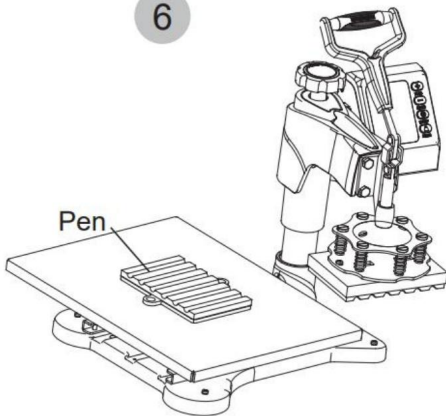
4



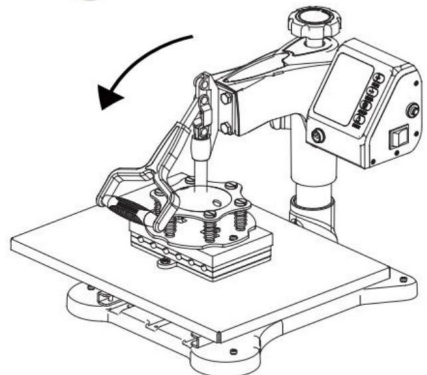
5



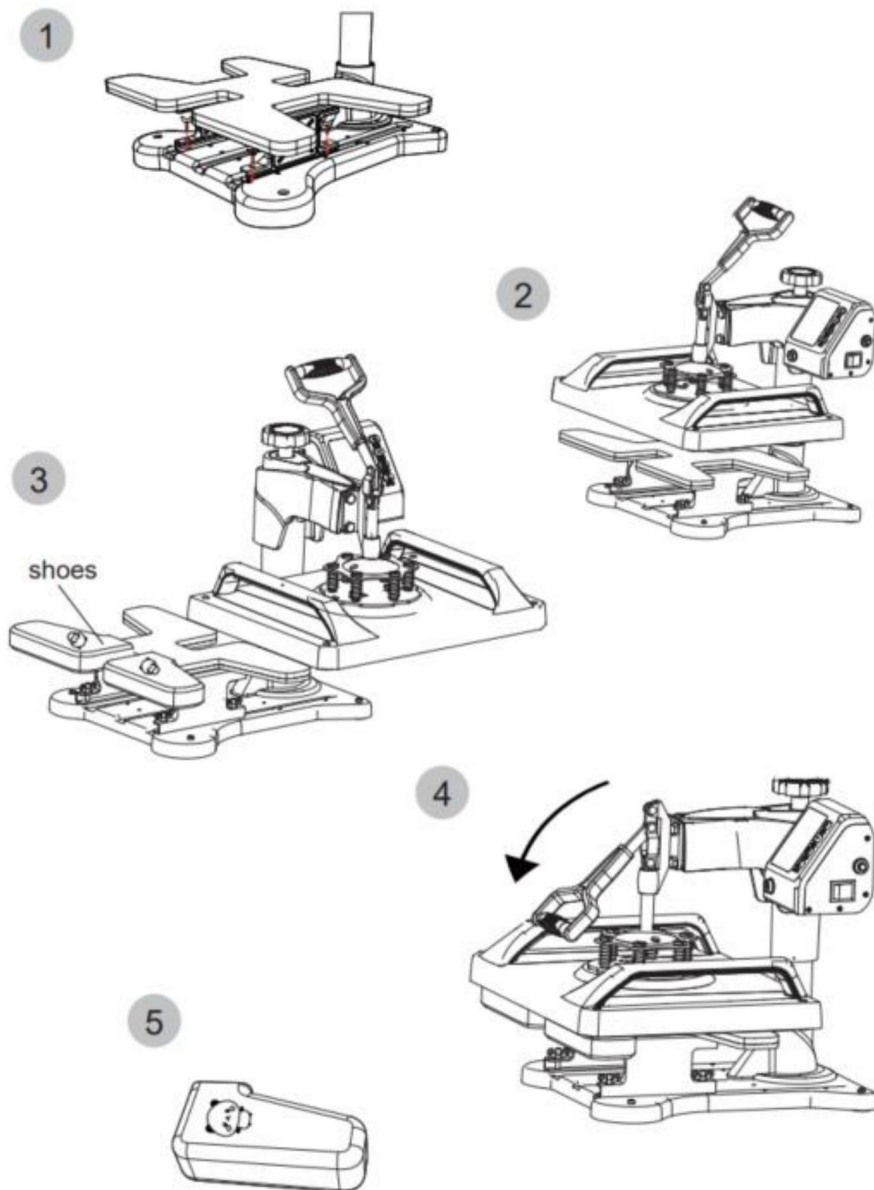
6



7



## Backschuhe ersetzen



## BEHANDLUNG VON QUALITÄTSMÄNGELN BEIM TRANSFER

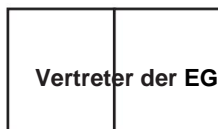
1. Helle Farbe oder verblasstes Bild: Unzureichende Temperatur / Falscher Druck / Nicht genügend Zeit.
2. Unscharfes Bild: Die Presszeit ist zu lang.
3. Ein Teil des Musters ist verschwommen: Die Wärme wird nicht richtig verteilt durch die Heizplatte, so dass die Arbeitszeit entsprechend erhöht werden kann. Es kann auch die Ursache für eine ungleichmäßige Druckverteilung sein, die auf vier Brettern eingestellt werden kann Regler. Bitte beachten Sie, dass die vier Regler vor dem Sie verlassen das Werk und müssen normalerweise nicht angepasst werden.
4. Schwaches Muster: Zu viel Druck oder Temperatur.
5. Narbenmuster: Die Übertragungszeit ist zu lang.
6. Unterschiedliche Musterfarben: falscher Druck oder schlechte Übertragungsqualität Papier.
7. Verbranntes Muster: Hohe Temperatur oder schlechte Tinte.

Hersteller: Shanghaimuxinmuyeyouxiangongsi

**Adresse:** Shuangchenglu 803nong11hao1602A-1609shi, baoshanqu, Shanghai 200000 CN.

**Nach AUS importiert:** SIHAO PTY LTD. 1 ROKEVA STREETEASTWOOD NSW 2122 Australien

**Importiert in die USA:** Sanven Technology Ltd. Suite 250, 9166 Anaheim Ort, Rancho Cucamonga, CA 91730



E-CrossStu GmbH  
Mainzer Landstr.69, 60329 Frankfurt am Main.



YH CONSULTING LIMITED.  
C/O YH Consulting Limited Office 147, Centurion House,  
London Road, Staines-upon-Thames, Surrey, TW18 4AX





**VEVOR**<sup>®</sup>

**TOUGH TOOLS, HALF PRICE**

**Technischer Support und E-Garantie-Zertifikat**

**[www.vevor.com/support](http://www.vevor.com/support)**