

# **VEVOR<sup>®</sup>**

**TOUGH TOOLS, HALF PRICE**

## **TOOLBOX USER MANUAL**

We continue to be committed to provide you tools with competitive price. "Save Half", "Half Price" or any other similar expressions used by us only represents an estimate of savings you might benefit from buying certain tools with us compared to the major top brands and does not necessarily mean to cover all categories of tools offered by us. You are kindly reminded to verify carefully when you are placing an order with us if you are actually saving half in comparison with the top major brands.

# VEVOR<sup>®</sup>

## Toolbox User Manual



### NEED HELP? CONTACT US!

Have product questions? Need technical support? Please feel free to contact us:

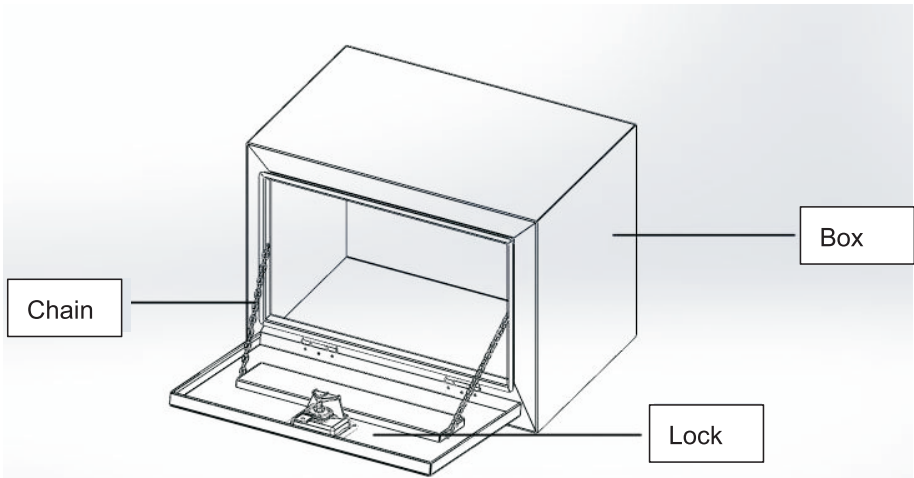
 [CustomerService@vevor.com](mailto:CustomerService@vevor.com)

This is the original instruction, please read all manual instructions carefully before operating. VEVOR reserves a clear interpretation of our user manual. The appearance of the product shall be subject to the product you received. Please forgive us that we won't inform you again if there are any technology or software updates on our product.

## Technical Parameter

Brand	Model	product size (inch)
VEVOR	JL-TB17-1	24*17*18
	JL-TB17-2	30*17*18
	JL-TB17-3	36*17*18
	JL-TB17-4	48*17*18
	JL-TB17-5	60*17*18
	JL-TB17-6	24*14*16
	JL-TB17-7	30*14*16
	JL-TB17-8	36*14*16
	JL-TB17-9	36*24*24
	JL-TB17-10	48*24*24
	JL-TB17-11	60*24*24

# Product Structure Diagram



## Use safety instructions

### WARNING:

Read this material before using this product. Failure to do so can result in serious injury. **SAVE THIS MANUAL**

## Assembly precautions

1. Assemble only according to these instructions. Improper assembly can create hazards.
2. Wear ANSI-approved safety goggles and heavy-duty work gloves during assembly.
3. Keep assembly area clean and well lit.
4. Keep bystanders out of the area during assembly.
5. Do not assemble when tired or when under the influence of alcohol, drugs or medication.
6. Weight capacity and other product capabilities apply to properly and completely assembled product only.



7. Assemble on a flat, level, hard and smooth surface capable of safely supporting a fully loaded cooler cart.

## **Use precautions**

TO PREVENT SERIOUS INJURY AND DEATH FROM TIPPING:

1. DO NOT SIT, STAND OR CLIMB ON THIS ITEM.
2. This product is not a toy nor a toy chest. Do not allow children to play with or near this item.
3. Do not exceed weight capacities, evenly distributed from bottom up. Be aware of dynamic loading! Sudden load movement may briefly create excess load causing product failure. Do not exceed capacity of bench or shelf supporting Top Chest.
4. Empty, close, and lock toolbox before moving.
5. Use only on a flat, level, hard and smooth surface capable of safely supporting a fully loaded Chest.
6. Do not lift while loaded.
7. To prevent tipping, push/pull using supplied handle only.
8. Use as intended only.
9. Inspect before every use; do not use if parts are loose or damaged.

## **Scope of Application**

The main body is made of high-quality aluminum alloy. With a strong structure and beautiful appearance, the box is widely used to store warehouses and automotive tools.

**Manufacturer:** Shanghaimuxinmuyeyouxiangongsi

**Address:** Shuangchenglu

803nong11hao1602A-1609shi, baoshanqu, shanghai  
200000 CN.

**Imported to AUS:** SIHAO PTY LTD. 1 ROKEVA

STREETEASTWOOD NSW 2122 Australia

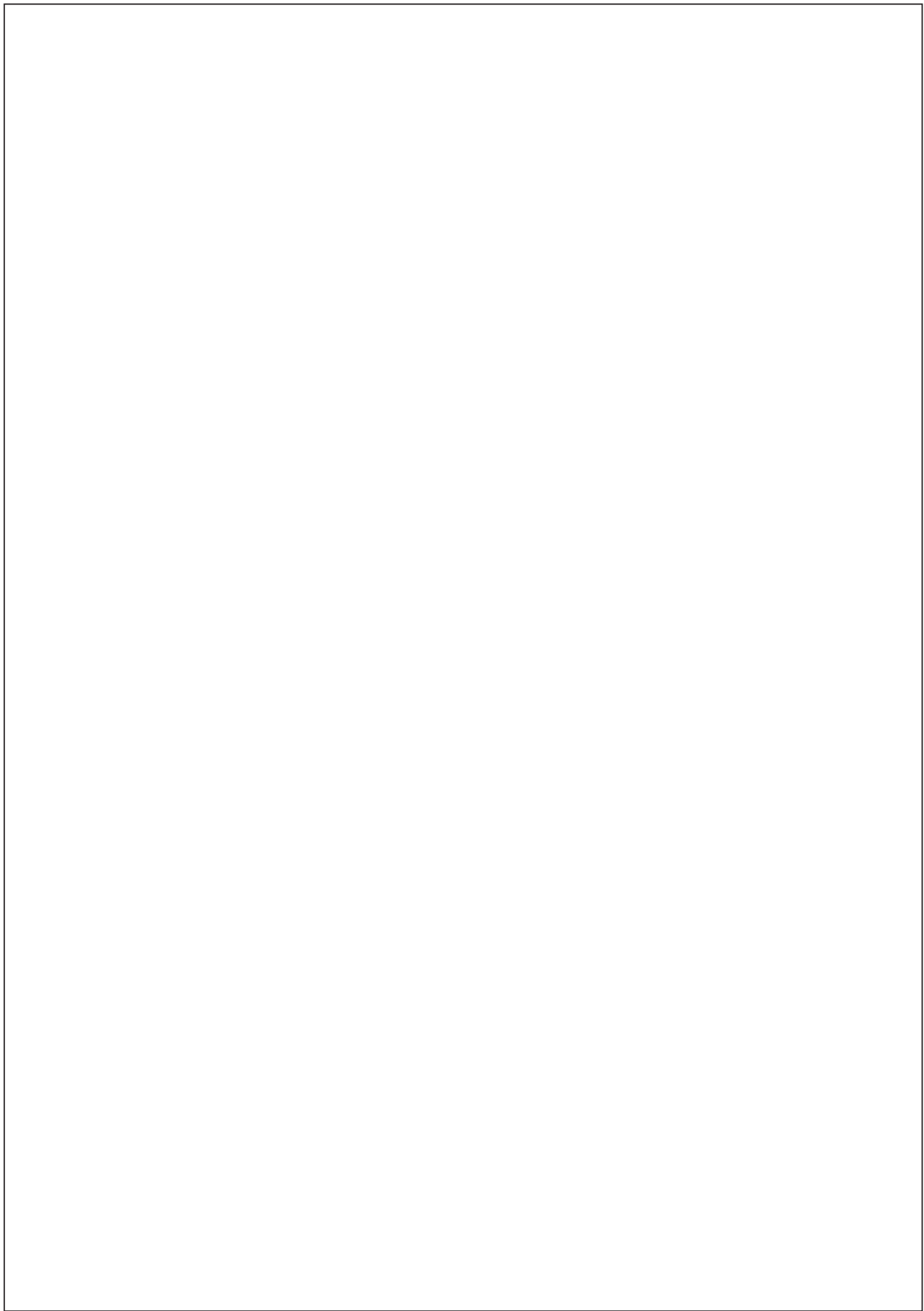
**Imported to USA:** Sanven Technology Ltd. Suite 250,  
9166 Anaheim Place, Rancho Cucamonga, CA 91730



E-CrossStu GmbH  
Mainzer Landstr.69, 60329 Frankfurt am Main.



YH CONSULTING LIMITED.  
C/O YH Consulting Limited Office 147, Centurion House,  
London Road, Staines-upon-Thames, Surrey, TW18 4AX



**VEVOR<sup>®</sup>**

**TOUGH TOOLS, HALF PRICE**

**Support and E-Warranty Certificate**

**[https:// www.vevor.com/support](https://www.vevor.com/support)**

**Made in China**

# **VEVOR<sup>®</sup>**

**TOUGH TOOLS, HALF PRICE**

## **TOOLBOX USER MANUAL**

We continue to be committed to provide you tools with competitive price. "Save Half", "Half Price" or any other similar expressions used by us only represents an estimate of savings you might benefit from buying certain tools with us compared to the major top brands and does not necessarily mean to cover all categories of tools offered by us. You are kindly reminded to verify carefully when you are placing an order with us if you are actually saving half in comparison with the top major brands.

# VEVOR®

## Toolbox User Manual



### NEED HELP? CONTACT US!

Have product questions? Need technical support? Please feel free to contact us:

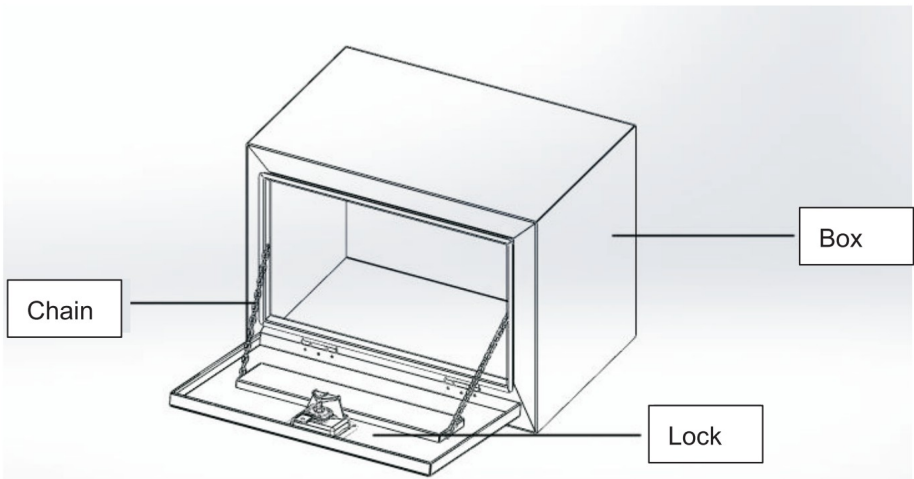
 [CustomerService@vevor.com](mailto:CustomerService@vevor.com)

This is the original instruction, please read all manual instructions carefully before operating. VEVOR reserves a clear interpretation of our user manual. The appearance of the product shall be subject to the product you received. Please forgive us that we won't inform you again if there are any technology or software updates on our product.

## Technical Parameter

Brand	Model	product size (inch)
VEVOR	JL- TB17-1	24*17*18
	JL- TB17-2	30*17*18
	JL- TB17-3	36*17*18
	JL- TB17-4	48*17*18
	JL- TB17-5	60*17*18
	JL- TB17-6	24*14*16
	JL- TB17-7	30*14*16
	JL- TB17-8	36*14*16
	JL- TB17-9	36*24*24
	JL- TB17-10	48*24*24
	JL- TB17-11	60*24*24

## Product Structure Diagram



## Use safety instructions

### WARNING:

Read this material before using this product. Failure to do so can result in serious injury. SAVE THIS MANUAL

## Assembly precautions

1. Assemble only according to these instructions. Improper assembly can create hazards.
2. Wear ANSI-approved safety goggles and heavy-duty work gloves during assembly.
3. Keep assembly area clean and well lit.
4. Keep bystanders out of the area during assembly.
5. Do not assemble when tired or when under the influence of alcohol, drugs or medication.
6. Weight capacity and other product capabilities apply to properly and completely assembled product only.



7. Assemble on a flat, level, hard and smooth surface capable of safely supporting a fully loaded cooler cart.

## **Use precautions**

TO PREVENT SERIOUS INJURY AND DEATH FROM TIPPING:

1. DO NOT SIT, STAND OR CLIMB ON THIS ITEM.
2. This product is not a toy nor a toy chest. Do not allow children to play with or near this item.
3. Do not exceed weight capacities, evenly distributed from bottom up. Be aware of dynamic loading! Sudden load movement may briefly create excess load causing product failure. Do not exceed capacity of bench or shelf supporting Top Chest.
4. Empty, close, and lock toolbox before moving.
5. Use only on a flat, level, hard and smooth surface capable of safely supporting a fully loaded Chest.
6. Do not lift while loaded.
7. To prevent tipping, push/pull using supplied handle only.
8. Use as intended only.
9. Inspect before every use; do not use if parts are loose or damaged.

## **Scope of Application**

The main body is made of high-quality aluminum alloy. With a strong structure and beautiful appearance, the box is widely used to store warehouses and automotive tools.

Fabricant : Shanghaimuxinmuyeyouxiangongsi  
Adresse : Shuangchenglu  
803nong11hao1602A-1609shi, baoshanqu, shanghai 200000 CN.

Importé en Australie : SIHAO PTY LTD. 1 ROKEVA  
STREETEASTWOOD NSW 2122 Australie

Importé aux États-Unis : Sanven Technology Ltd. Suite 250, 9166  
Anaheim Place, Rancho Cucamonga, CA 91730



E-CrossStu GmbH  
Mainzer Landstr.69, 60329 Francfort-sur-le-Main.



YH CONSULTING LIMITÉE.  
A/S YH Consulting Limited Bureau 147, Centurion House, London  
Road, Staines-upon-Thames, Surrey, TW18 4AX



**VEVOR<sup>®</sup>**

**TOUGH TOOLS, HALF PRICE**

**Support and E-Warranty Certificate**

**[https:// www.vevor.com/support](https://www.vevor.com/support)**

**Made in China**

# **VEVOR<sup>®</sup>**

**TOUGH TOOLS, HALF PRICE**

## **TOOLBOX USER MANUAL**

We continue to be committed to provide you tools with competitive price. "Save Half", "Half Price" or any other similar expressions used by us only represents an estimate of savings you might benefit from buying certain tools with us compared to the major top brands and does not necessarily mean to cover all categories of tools offered by us. You are kindly reminded to verify carefully when you are placing an order with us if you are actually saving half in comparison with the top major brands.

# VEVOR®

## Toolbox User Manual



### NEED HELP? CONTACT US!

Have product questions? Need technical support? Please feel free to contact us:

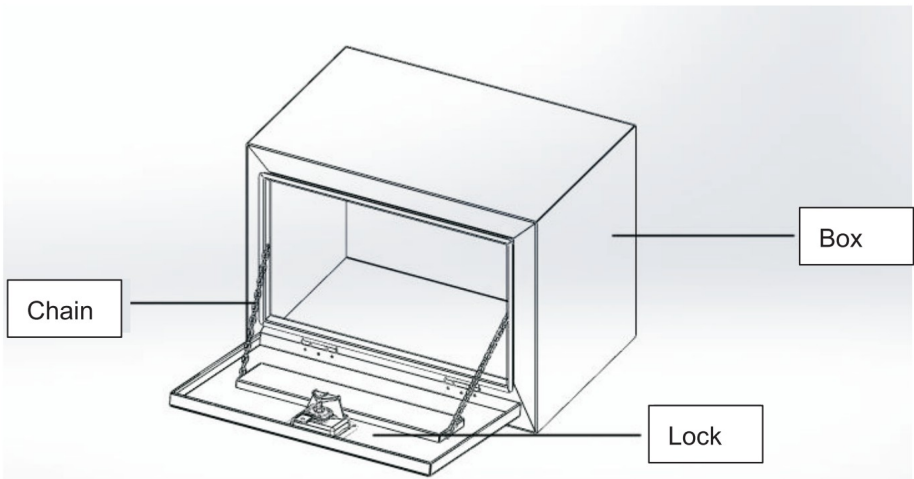
 [CustomerService@vevor.com](mailto:CustomerService@vevor.com)

This is the original instruction, please read all manual instructions carefully before operating. VEVOR reserves a clear interpretation of our user manual. The appearance of the product shall be subject to the product you received. Please forgive us that we won't inform you again if there are any technology or software updates on our product.

## Technical Parameter

Brand	Model	product size (inch)
VEVOR	JL- TB17-1	24*17*18
	JL- TB17-2	30*17*18
	JL- TB17-3	36*17*18
	JL- TB17-4	48*17*18
	JL- TB17-5	60*17*18
	JL- TB17-6	24*14*16
	JL- TB17-7	30*14*16
	JL- TB17-8	36*14*16
	JL- TB17-9	36*24*24
	JL- TB17-10	48*24*24
	JL- TB17-11	60*24*24

## Product Structure Diagram



## Use safety instructions

### WARNING:

Read this material before using this product. Failure to do so can result in serious injury. SAVE THIS MANUAL

## Assembly precautions

1. Assemble only according to these instructions. Improper assembly can create hazards.
2. Wear ANSI-approved safety goggles and heavy-duty work gloves during assembly.
3. Keep assembly area clean and well lit.
4. Keep bystanders out of the area during assembly.
5. Do not assemble when tired or when under the influence of alcohol, drugs or medication.
6. Weight capacity and other product capabilities apply to properly and completely assembled product only.



7. Assemble on a flat, level, hard and smooth surface capable of safely supporting a fully loaded cooler cart.

## **Use precautions**

TO PREVENT SERIOUS INJURY AND DEATH FROM TIPPING:

1. DO NOT SIT, STAND OR CLIMB ON THIS ITEM.
2. This product is not a toy nor a toy chest. Do not allow children to play with or near this item.
3. Do not exceed weight capacities, evenly distributed from bottom up. Be aware of dynamic loading! Sudden load movement may briefly create excess load causing product failure. Do not exceed capacity of bench or shelf supporting Top Chest.
4. Empty, close, and lock toolbox before moving.
5. Use only on a flat, level, hard and smooth surface capable of safely supporting a fully loaded Chest.
6. Do not lift while loaded.
7. To prevent tipping, push/pull using supplied handle only.
8. Use as intended only.
9. Inspect before every use; do not use if parts are loose or damaged.

## **Scope of Application**

The main body is made of high-quality aluminum alloy. With a strong structure and beautiful appearance, the box is widely used to store warehouses and automotive tools.

Hersteller: Shanghaimuxinmuyeyouxiangongsi

Adresse: Shuangchenglu

803nong11hao1602A-1609shi, baoshanqu, Shanghai 200000 CN.

Nach AUS importiert: SIHAO PTY LTD. 1 ROKEVA

STREETEASTWOOD NSW 2122 Australien

Importiert in die USA: Sanven Technology Ltd. Suite 250, 9166

Anaheim Place, Rancho Cucamonga, CA 91730



E-CrossStu GmbH

Mainzer Landstr.69, 60329 Frankfurt am Main.



YH CONSULTING LIMITED.

C/O YH Consulting Limited Office 147, Centurion House,  
London Road, Staines-upon-Thames, Surrey, TW18 4AX



**VEVOR<sup>®</sup>**

**TOUGH TOOLS, HALF PRICE**

**Support and E-Warranty Certificate**

**[https:// www.vevor.com/support](https://www.vevor.com/support)**

**Made in China**

# **VEVOR<sup>®</sup>**

**TOUGH TOOLS, HALF PRICE**

## **TOOLBOX USER MANUAL**

We continue to be committed to provide you tools with competitive price. "Save Half", "Half Price" or any other similar expressions used by us only represents an estimate of savings you might benefit from buying certain tools with us compared to the major top brands and does not necessarily mean to cover all categories of tools offered by us. You are kindly reminded to verify carefully when you are placing an order with us if you are actually saving half in comparison with the top major brands.

# VEVOR<sup>®</sup>

## Toolbox User Manual



### NEED HELP? CONTACT US!

Have product questions? Need technical support? Please feel free to contact us:



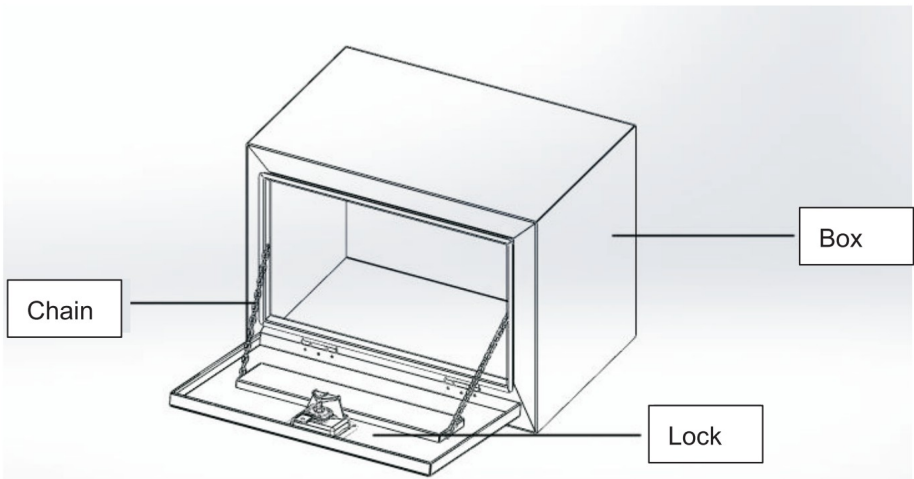
[CustomerService@vevor.com](mailto:CustomerService@vevor.com)

This is the original instruction, please read all manual instructions carefully before operating. VEVOR reserves a clear interpretation of our user manual. The appearance of the product shall be subject to the product you received. Please forgive us that we won't inform you again if there are any technology or software updates on our product.

## Technical Parameter

Brand	Model	product size (inch)
VEVOR	JL- TB17-1	24*17*18
	JL- TB17-2	30*17*18
	JL- TB17-3	36*17*18
	JL- TB17-4	48*17*18
	JL- TB17-5	60*17*18
	JL- TB17-6	24*14*16
	JL- TB17-7	30*14*16
	JL- TB17-8	36*14*16
	JL- TB17-9	36*24*24
	JL- TB17-10	48*24*24
	JL- TB17-11	60*24*24

## Product Structure Diagram



## Use safety instructions

### WARNING:

Read this material before using this product. Failure to do so can result in serious injury. SAVE THIS MANUAL

## Assembly precautions

1. Assemble only according to these instructions. Improper assembly can create hazards.
2. Wear ANSI-approved safety goggles and heavy-duty work gloves during assembly.
3. Keep assembly area clean and well lit.
4. Keep bystanders out of the area during assembly.
5. Do not assemble when tired or when under the influence of alcohol, drugs or medication.
6. Weight capacity and other product capabilities apply to properly and completely assembled product only.



7. Assemble on a flat, level, hard and smooth surface capable of safely supporting a fully loaded cooler cart.

## **Use precautions**

TO PREVENT SERIOUS INJURY AND DEATH FROM TIPPING:

1. DO NOT SIT, STAND OR CLIMB ON THIS ITEM.
2. This product is not a toy nor a toy chest. Do not allow children to play with or near this item.
3. Do not exceed weight capacities, evenly distributed from bottom up. Be aware of dynamic loading! Sudden load movement may briefly create excess load causing product failure. Do not exceed capacity of bench or shelf supporting Top Chest.
4. Empty, close, and lock toolbox before moving.
5. Use only on a flat, level, hard and smooth surface capable of safely supporting a fully loaded Chest.
6. Do not lift while loaded.
7. To prevent tipping, push/pull using supplied handle only.
8. Use as intended only.
9. Inspect before every use; do not use if parts are loose or damaged.

## **Scope of Application**

The main body is made of high-quality aluminum alloy. With a strong structure and beautiful appearance, the box is widely used to store warehouses and automotive tools.

Produttore: Shanghaimuxinmuyeyouxiangongsi  
Indirizzo: Shuangchenglu  
803nong11hao1602A-1609shi, baoshanqu, shanghai 200000 CN.

Importato in AUS: SIHAO PTY LTD. 1 ROKEVA  
STREETEASTWOOD NSW 2122 Australia

Importato negli USA: Sanven Technology Ltd. Suite 250, 9166  
Anaheim Place, Rancho Cucamonga, CA 91730



E-CrossStu GmbH  
Mainzer Landstr.69, 60329 Francoforte sul Meno.



CONSULENZA YH LIMITATA.  
C/O YH Consulting Limited Ufficio 147, Centurion House,  
London Road, Staines-upon-Thames, Surrey, TW18 4AX



**VEVOR**<sup>®</sup>

**TOUGH TOOLS, HALF PRICE**

**Support and E-Warranty Certificate**

**[https:// www.vevor.com/support](https://www.vevor.com/support)**

**Made in China**

# **VEVOR<sup>®</sup>**

**TOUGH TOOLS, HALF PRICE**

## **TOOLBOX USER MANUAL**

We continue to be committed to provide you tools with competitive price. "Save Half", "Half Price" or any other similar expressions used by us only represents an estimate of savings you might benefit from buying certain tools with us compared to the major top brands and does not necessarily mean to cover all categories of tools offered by us. You are kindly reminded to verify carefully when you are placing an order with us if you are actually saving half in comparison with the top major brands.

# VEVOR<sup>®</sup>

## Toolbox User Manual



### NEED HELP? CONTACT US!

Have product questions? Need technical support? Please feel free to contact us:

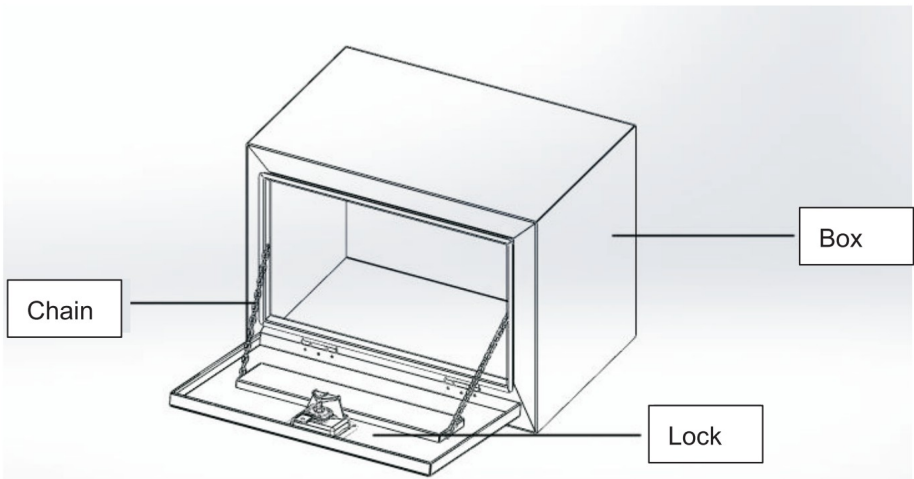
 [CustomerService@vevor.com](mailto:CustomerService@vevor.com)

This is the original instruction, please read all manual instructions carefully before operating. VEVOR reserves a clear interpretation of our user manual. The appearance of the product shall be subject to the product you received. Please forgive us that we won't inform you again if there are any technology or software updates on our product.

## Technical Parameter

Brand	Model	product size (inch)
VEVOR	JL- TB17-1	24*17*18
	JL- TB17-2	30*17*18
	JL- TB17-3	36*17*18
	JL- TB17-4	48*17*18
	JL- TB17-5	60*17*18
	JL- TB17-6	24*14*16
	JL- TB17-7	30*14*16
	JL- TB17-8	36*14*16
	JL- TB17-9	36*24*24
	JL- TB17-10	48*24*24
	JL- TB17-11	60*24*24

## Product Structure Diagram



## Use safety instructions

### WARNING:

Read this material before using this product. Failure to do so can result in serious injury. SAVE THIS MANUAL

## Assembly precautions

1. Assemble only according to these instructions. Improper assembly can create hazards.
2. Wear ANSI-approved safety goggles and heavy-duty work gloves during assembly.
3. Keep assembly area clean and well lit.
4. Keep bystanders out of the area during assembly.
5. Do not assemble when tired or when under the influence of alcohol, drugs or medication.
6. Weight capacity and other product capabilities apply to properly and completely assembled product only.



7. Assemble on a flat, level, hard and smooth surface capable of safely supporting a fully loaded cooler cart.

## **Use precautions**

TO PREVENT SERIOUS INJURY AND DEATH FROM TIPPING:

1. DO NOT SIT, STAND OR CLIMB ON THIS ITEM.
2. This product is not a toy nor a toy chest. Do not allow children to play with or near this item.
3. Do not exceed weight capacities, evenly distributed from bottom up. Be aware of dynamic loading! Sudden load movement may briefly create excess load causing product failure. Do not exceed capacity of bench or shelf supporting Top Chest.
4. Empty, close, and lock toolbox before moving.
5. Use only on a flat, level, hard and smooth surface capable of safely supporting a fully loaded Chest.
6. Do not lift while loaded.
7. To prevent tipping, push/pull using supplied handle only.
8. Use as intended only.
9. Inspect before every use; do not use if parts are loose or damaged.

## **Scope of Application**

The main body is made of high-quality aluminum alloy. With a strong structure and beautiful appearance, the box is widely used to store warehouses and automotive tools.

Fabricante: Shanghaimuxinmuyeyouxiangongsi  
Dirección: Shuangchenglu  
803nong11hao1602A-1609shi, baoshanqu, shanghai 200000 CN.

Importado a AUS: SIHAO PTY LTD. 1 ROKEVA  
STREETEASTWOOD NSW 2122 Australia

Importado a EE. UU.: Sanven Technology Ltd. Suite 250, 9166  
Anaheim Place, Rancho Cucamonga, CA 91730



E-CrossStu GmbH  
Mainzer Landstr.69, 60329 Fráncfort del Meno.



YH CONSULTING LIMITADA.  
C/O YH Consulting Limited Oficina 147, Centurion House,  
London Road, Staines-upon-Thames, Surrey, TW18 4AX



**VEVOR**<sup>®</sup>

**TOUGH TOOLS, HALF PRICE**

**Support and E-Warranty Certificate**

**[https:// www.vevor.com/support](https://www.vevor.com/support)**

**Made in China**

# **VEVOR<sup>®</sup>**

**TOUGH TOOLS, HALF PRICE**

## **TOOLBOX USER MANUAL**

We continue to be committed to provide you tools with competitive price. "Save Half", "Half Price" or any other similar expressions used by us only represents an estimate of savings you might benefit from buying certain tools with us compared to the major top brands and does not necessarily mean to cover all categories of tools offered by us. You are kindly reminded to verify carefully when you are placing an order with us if you are actually saving half in comparison with the top major brands.

# VEVOR<sup>®</sup>

## Toolbox User Manual



### NEED HELP? CONTACT US!

Have product questions? Need technical support? Please feel free to contact us:

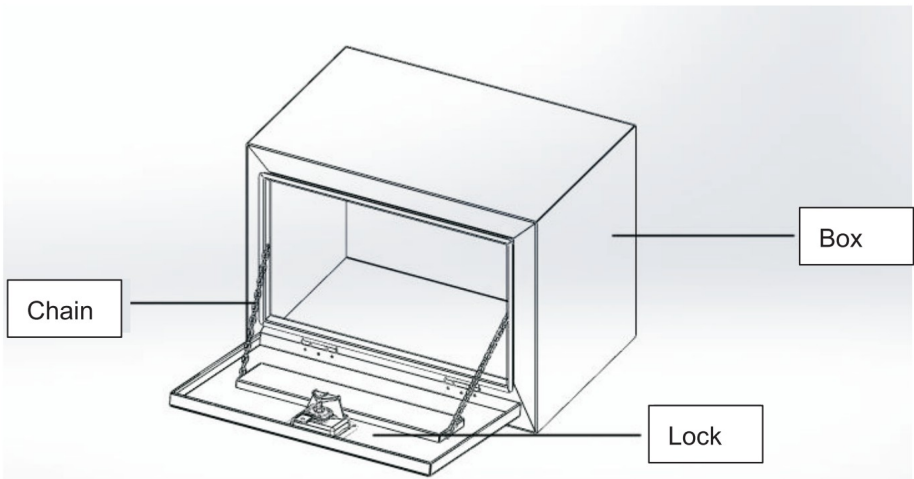
 [CustomerService@vevor.com](mailto:CustomerService@vevor.com)

This is the original instruction, please read all manual instructions carefully before operating. VEVOR reserves a clear interpretation of our user manual. The appearance of the product shall be subject to the product you received. Please forgive us that we won't inform you again if there are any technology or software updates on our product.

## Technical Parameter

Brand	Model	product size (inch)
VEVOR	JL- TB17-1	24*17*18
	JL- TB17-2	30*17*18
	JL- TB17-3	36*17*18
	JL- TB17-4	48*17*18
	JL- TB17-5	60*17*18
	JL- TB17-6	24*14*16
	JL- TB17-7	30*14*16
	JL- TB17-8	36*14*16
	JL- TB17-9	36*24*24
	JL- TB17-10	48*24*24
	JL- TB17-11	60*24*24

## Product Structure Diagram



## Use safety instructions

### WARNING:

Read this material before using this product. Failure to do so can result in serious injury. **SAVE THIS MANUAL**

## Assembly precautions

1. Assemble only according to these instructions. Improper assembly can create hazards.
2. Wear ANSI-approved safety goggles and heavy-duty work gloves during assembly.
3. Keep assembly area clean and well lit.
4. Keep bystanders out of the area during assembly.
5. Do not assemble when tired or when under the influence of alcohol, drugs or medication.
6. Weight capacity and other product capabilities apply to properly and completely assembled product only.



7. Assemble on a flat, level, hard and smooth surface capable of safely supporting a fully loaded cooler cart.

## **Use precautions**

TO PREVENT SERIOUS INJURY AND DEATH FROM TIPPING:

1. DO NOT SIT, STAND OR CLIMB ON THIS ITEM.
2. This product is not a toy nor a toy chest. Do not allow children to play with or near this item.
3. Do not exceed weight capacities, evenly distributed from bottom up. Be aware of dynamic loading! Sudden load movement may briefly create excess load causing product failure. Do not exceed capacity of bench or shelf supporting Top Chest.
4. Empty, close, and lock toolbox before moving.
5. Use only on a flat, level, hard and smooth surface capable of safely supporting a fully loaded Chest.
6. Do not lift while loaded.
7. To prevent tipping, push/pull using supplied handle only.
8. Use as intended only.
9. Inspect before every use; do not use if parts are loose or damaged.

## **Scope of Application**

The main body is made of high-quality aluminum alloy. With a strong structure and beautiful appearance, the box is widely used to store warehouses and automotive tools.

Producent: Shanghaimuxinmuyeyouxiangongsi  
Adres: Shuangchenglu  
803nong11hao1602A-1609shi, baoshanqu, szanghaj 200000 CN.

Importowane do AUS: SIHAO PTY LTD. 1 ROKEVA  
STREETEASTWOOD NSW 2122 Australia

Importowane do USA: Sanven Technology Ltd. Suite 250, 9166  
Anaheim Place, Rancho Cucamonga, CA 91730



E-CrossStu GmbH  
Mainzer Landstr.69, 60329 Frankfurt nad Menem.



YH CONSULTING LIMITED.  
C/O YH Consulting Limited Biuro 147, Centurion House,  
London Road, Staines-upon-Thames, Surrey, TW18 4AX



**VEVOR<sup>®</sup>**

**TOUGH TOOLS, HALF PRICE**

**Support and E-Warranty Certificate**

**[https:// www.vevor.com/support](https://www.vevor.com/support)**

**Made in China**

# **VEVOR<sup>®</sup>**

**TOUGH TOOLS, HALF PRICE**

## **TOOLBOX USER MANUAL**

We continue to be committed to provide you tools with competitive price. "Save Half", "Half Price" or any other similar expressions used by us only represents an estimate of savings you might benefit from buying certain tools with us compared to the major top brands and does not necessarily mean to cover all categories of tools offered by us. You are kindly reminded to verify carefully when you are placing an order with us if you are actually saving half in comparison with the top major brands.

# VEVOR<sup>®</sup>

## Toolbox User Manual



### NEED HELP? CONTACT US!

Have product questions? Need technical support? Please feel free to contact us:

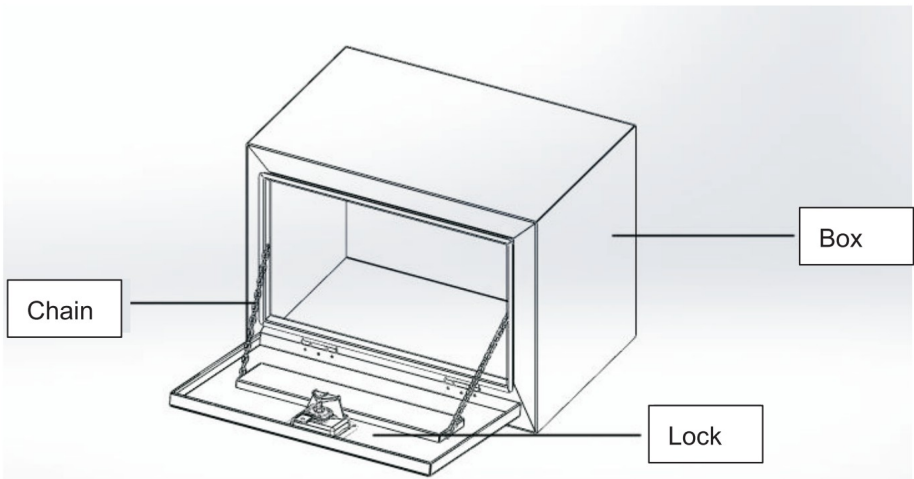
 [CustomerService@vevor.com](mailto:CustomerService@vevor.com)

This is the original instruction, please read all manual instructions carefully before operating. VEVOR reserves a clear interpretation of our user manual. The appearance of the product shall be subject to the product you received. Please forgive us that we won't inform you again if there are any technology or software updates on our product.

## Technical Parameter

Brand	Model	product size (inch)
VEVOR	JL- TB17-1	24*17*18
	JL- TB17-2	30*17*18
	JL- TB17-3	36*17*18
	JL- TB17-4	48*17*18
	JL- TB17-5	60*17*18
	JL- TB17-6	24*14*16
	JL- TB17-7	30*14*16
	JL- TB17-8	36*14*16
	JL- TB17-9	36*24*24
	JL- TB17-10	48*24*24
	JL- TB17-11	60*24*24

## Product Structure Diagram



## Use safety instructions

### WARNING:

Read this material before using this product. Failure to do so can result in serious injury. SAVE THIS MANUAL

## Assembly precautions

1. Assemble only according to these instructions. Improper assembly can create hazards.
2. Wear ANSI-approved safety goggles and heavy-duty work gloves during assembly.
3. Keep assembly area clean and well lit.
4. Keep bystanders out of the area during assembly.
5. Do not assemble when tired or when under the influence of alcohol, drugs or medication.
6. Weight capacity and other product capabilities apply to properly and completely assembled product only.



7. Assemble on a flat, level, hard and smooth surface capable of safely supporting a fully loaded cooler cart.

## **Use precautions**

TO PREVENT SERIOUS INJURY AND DEATH FROM TIPPING:

1. DO NOT SIT, STAND OR CLIMB ON THIS ITEM.
2. This product is not a toy nor a toy chest. Do not allow children to play with or near this item.
3. Do not exceed weight capacities, evenly distributed from bottom up. Be aware of dynamic loading! Sudden load movement may briefly create excess load causing product failure. Do not exceed capacity of bench or shelf supporting Top Chest.
4. Empty, close, and lock toolbox before moving.
5. Use only on a flat, level, hard and smooth surface capable of safely supporting a fully loaded Chest.
6. Do not lift while loaded.
7. To prevent tipping, push/pull using supplied handle only.
8. Use as intended only.
9. Inspect before every use; do not use if parts are loose or damaged.

## **Scope of Application**

The main body is made of high-quality aluminum alloy. With a strong structure and beautiful appearance, the box is widely used to store warehouses and automotive tools.

Fabrikant: Shanghaimuxinmuyeyouxiangongsi

Adres: Shuangchenglu

803nong11hao1602A-1609shi, baoshanqu, shanghai 200000 CN.

Geïmporteerd naar AUS: SIHAO PTY LTD. 1 ROKEVA

STREETEASTWOOD NSW 2122 Australië

Geïmporteerd naar de VS: Sanven Technology Ltd. Suite 250, 9166

Anaheim Place, Rancho Cucamonga, CA 91730



E-CrossStu GmbH

Mainzer Landstr.69, 60329 Frankfurt am Main.



YH CONSULTING LIMITED.

C/O YH Consulting Limited Kantoor 147, Centurion House,  
London Road, Staines-upon-Thames, Surrey, TW18 4AX



**VEVOR<sup>®</sup>**

**TOUGH TOOLS, HALF PRICE**

**Support and E-Warranty Certificate**

**[https:// www.vevor.com/support](https://www.vevor.com/support)**

**Made in China**

# **VEVOR<sup>®</sup>**

**TOUGH TOOLS, HALF PRICE**

## **TOOLBOX USER MANUAL**

We continue to be committed to provide you tools with competitive price. "Save Half", "Half Price" or any other similar expressions used by us only represents an estimate of savings you might benefit from buying certain tools with us compared to the major top brands and does not necessarily mean to cover all categories of tools offered by us. You are kindly reminded to verify carefully when you are placing an order with us if you are actually saving half in comparison with the top major brands.

# VEVOR<sup>®</sup>

## Toolbox User Manual



### NEED HELP? CONTACT US!

Have product questions? Need technical support? Please feel free to contact us:



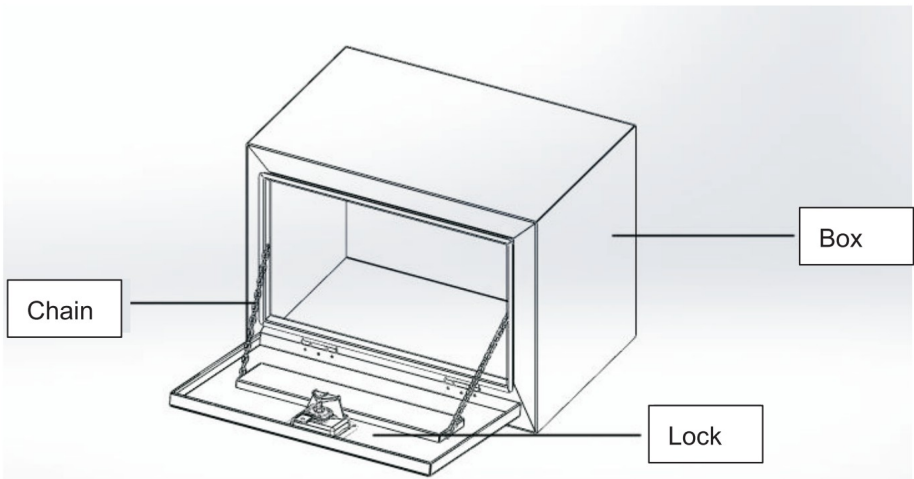
[CustomerService@vevor.com](mailto:CustomerService@vevor.com)

This is the original instruction, please read all manual instructions carefully before operating. VEVOR reserves a clear interpretation of our user manual. The appearance of the product shall be subject to the product you received. Please forgive us that we won't inform you again if there are any technology or software updates on our product.

## Technical Parameter

Brand	Model	product size (inch)
VEVOR	JL- TB17-1	24*17*18
	JL- TB17-2	30*17*18
	JL- TB17-3	36*17*18
	JL- TB17-4	48*17*18
	JL- TB17-5	60*17*18
	JL- TB17-6	24*14*16
	JL- TB17-7	30*14*16
	JL- TB17-8	36*14*16
	JL- TB17-9	36*24*24
	JL- TB17-10	48*24*24
	JL- TB17-11	60*24*24

## Product Structure Diagram



## Use safety instructions

### WARNING:

Read this material before using this product. Failure to do so can result in serious injury. SAVE THIS MANUAL

## Assembly precautions

1. Assemble only according to these instructions. Improper assembly can create hazards.
2. Wear ANSI-approved safety goggles and heavy-duty work gloves during assembly.
3. Keep assembly area clean and well lit.
4. Keep bystanders out of the area during assembly.
5. Do not assemble when tired or when under the influence of alcohol, drugs or medication.
6. Weight capacity and other product capabilities apply to properly and completely assembled product only.



7. Assemble on a flat, level, hard and smooth surface capable of safely supporting a fully loaded cooler cart.

## **Use precautions**

TO PREVENT SERIOUS INJURY AND DEATH FROM TIPPING:

1. DO NOT SIT, STAND OR CLIMB ON THIS ITEM.
2. This product is not a toy nor a toy chest. Do not allow children to play with or near this item.
3. Do not exceed weight capacities, evenly distributed from bottom up. Be aware of dynamic loading! Sudden load movement may briefly create excess load causing product failure. Do not exceed capacity of bench or shelf supporting Top Chest.
4. Empty, close, and lock toolbox before moving.
5. Use only on a flat, level, hard and smooth surface capable of safely supporting a fully loaded Chest.
6. Do not lift while loaded.
7. To prevent tipping, push/pull using supplied handle only.
8. Use as intended only.
9. Inspect before every use; do not use if parts are loose or damaged.

## **Scope of Application**

The main body is made of high-quality aluminum alloy. With a strong structure and beautiful appearance, the box is widely used to store warehouses and automotive tools.

Tillverkare: Shanghaimuxinmuyeyouxiangongsi  
Adress: Shuangchenglu  
803nong11hao1602A-1609shi, baoshanqu, shanghai 200000 CN.

Importerad till AUS: SIHAO PTY LTD. 1 ROKEVA  
STREETEASTWOOD NSW 2122 Australien

Importerad till USA: Sanven Technology Ltd. Suite 250, 9166  
Anaheim Place, Rancho Cucamonga, CA 91730



E-CrossStu GmbH  
Mainzer Landstr.69, 60329 Frankfurt am Main.



YH CONSULTING LIMITED.  
C/O YH Consulting Limited Office 147, Centurion House,  
London Road, Staines-upon-Thames, Surrey, TW18 4AX



**VEVOR<sup>®</sup>**

**TOUGH TOOLS, HALF PRICE**

**Support and E-Warranty Certificate**

**[https:// www.vevor.com/support](https://www.vevor.com/support)**

**Made in China**