

VEVOR[®]

TOUGH TOOLS, HALF PRICE

Technical Support and E-Warranty Certificate www.vevor.com/support

TRAILER COUPLER

MODEL: SS-TC-10B

We continue to be committed to provide you tools with competitive price.

"Save Half", "Half Price" or any other similar expressions used by us only represents an estimate of savings you might benefit from buying certain tools with us compared to the major top brands and does not necessarily mean to cover all categories of tools offered by us. You are kindly reminded to verify carefully when you are placing an order with us if you are actually saving half in comparison with the top major brands.

VEVOR[®]

TOUGH TOOLS, HALF PRICE

TRAILER COUPLER

MODEL: SS-TC-10B



NEED HELP? CONTACT US!

Have product questions? Need technical support? Please feel free to contact us:

TechnicalSupport and E-Warranty Certificate

www.vevor.com/support

This is the original instruction, please read all manual instructions carefully before operating. VEVOR reserves a clear interpretation of our user manual. The appearance of the product shall be subject to the product you received. Please forgive us that we won't inform you again if there are any technology or software updates on our product.

SAFETY INSTRUCTIONS

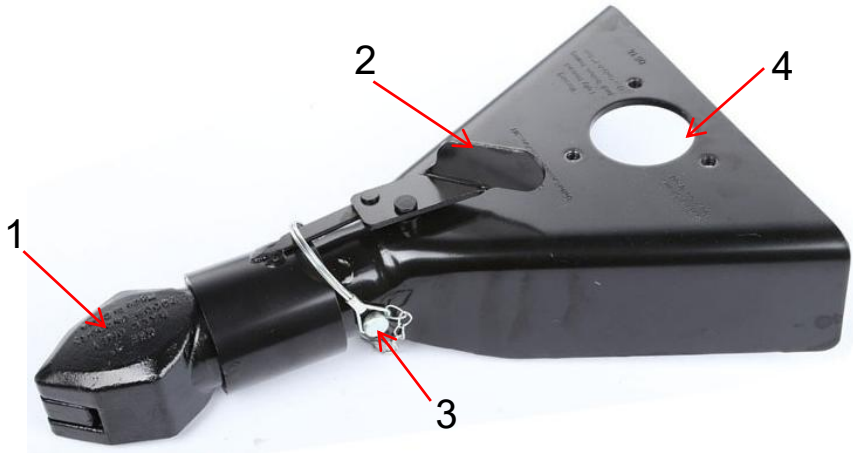
⚠️WARNING

1. Safety chains must be used.
2. Be sure to take good protection during welding work.
3. Be sure to check that the bolts are tight.
4. Be sure to match the corresponding trailer ball.
5. After towing for 50 miles, check coupler for tightness on ball. Always check tighness before towing. Be sure coupler handle is in locked position.
6. Do not exceed the gross trailer weight capacity.

MODEL AND PARAMETERS



Model	SS-TC-10B
Capacity	7000lbs
Ball Size	2inch
Applicable Channel	2inch
Mounting Angle	50°
Color	Black

STRUCTURE DIAGRAM



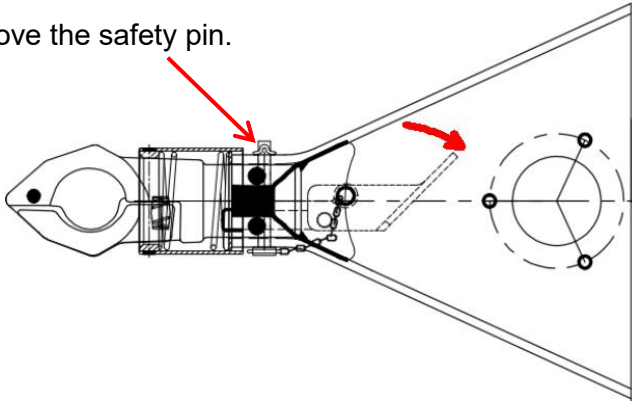
1. Ball Socket 2. Handle 3. Safety Pin 4. Jack Mounting Hole

COMPONENTS

No.	Picture	Name	Qty
1		Trailer Coupler	1
3		User Manual	1

OPERATION

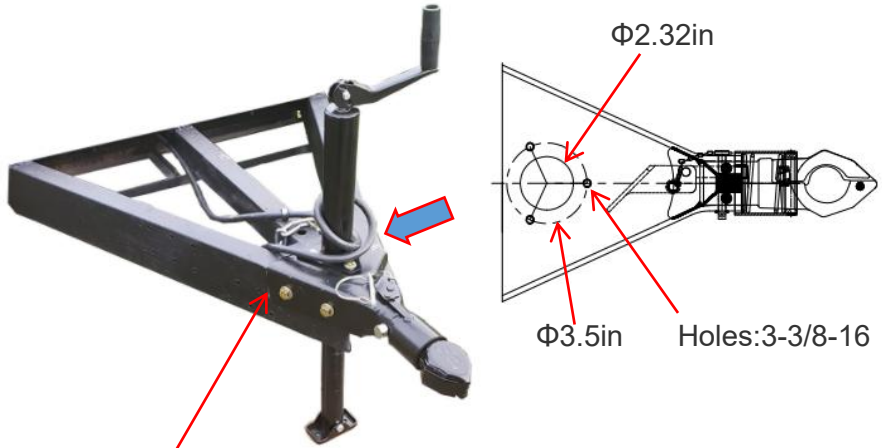
Remove the safety pin.



To open, pull the coupler handle and rotate. Place coupler on ball. When ball is completely nested in ball socket. Release the coupler handle until handle is in locked position. Plug in the safety latch.

After towing for 50 miles, check coupler for tightness on ball. Always check tightness before towing. Be sure coupler handle is in locked position.

Installation:



The welding must be firm and reliable.

MAINTENANCE

1. Please check that the bolts are tight before each use.
2. Do not overload.
3. Pay attention to rust prevention.

MADE IN CHINA

VEVOR[®]
TOUGH TOOLS, HALF PRICE

TechnicalSupport and E-Warranty Certificate
www.vevor.com/support

VEVOR[®]

TOUGH TOOLS, HALF PRICE

Assistance technique et certificat de garantie électronique

www.vevor.com/support

ATTELAGE DE REMORQUE

MODÈLE : SS-TC-10B

We continue to be committed to provide you tools with competitive price.

"Save Half", "Half Price" or any other similar expressions used by us only represents an estimate of savings you might benefit from buying certain tools with us compared to the major top brands and does not necessarily mean to cover all categories of tools offered by us. You are kindly reminded to verify carefully when you are placing an order with us if you are actually saving half in comparison with the top major brands.

VEVOR[®]

TOUGH TOOLS, HALF PRICE

TRAILER COUPLER

MODÈLE : SS -TC-10B



NEED HELP? CONTACT US!

Have product questions? Need technical support? Please feel free to contact us:

TechnicalSupport and E-Warranty Certificate

www.vevor.com/support

This is the original instruction, please read all manual instructions carefully before operating. VEVOR reserves a clear interpretation of our user manual. The appearance of the product shall be subject to the product you received. Please forgive us that we won't inform you again if there are any technology or software updates on our product.

SAFETY INSTRUCTIONS

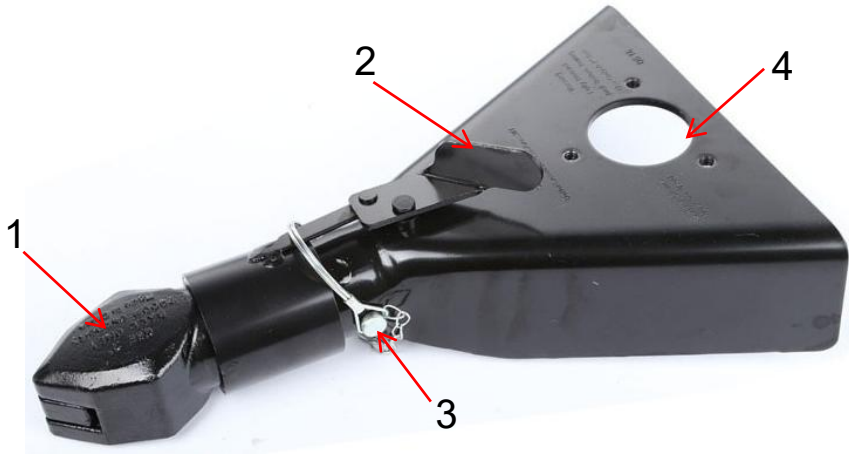
⚠️WARNING

7. Des chaînes de sécurité doivent être utilisées.
8. Assurez-vous de prendre une bonne protection lors des travaux de soudage.
9. Assurez-vous de vérifier que les boulons sont bien serrés .
10. Assurez-vous de faire correspondre la boule de remorque correspondante.
11. Après avoir remorqué sur 50 miles, vérifiez que le coupleur est bien serré sur la boule. Vérifiez toujours le serrage avant de remorquer. Assurez-vous que la poignée du coupleur est en position verrouillée.
12. Ne pas dépasser la capacité de poids brut de la remorque.

MODEL AND PARAMETERS



Modèle	SS -TC- 10B
Capacité	70 00 livres
Taille de la balle	2 pouces
Diamètre / longueur du canal	2 pouces
Angle de montage	50°
Couleur	Noir

STRUCTURE DIAGRAM



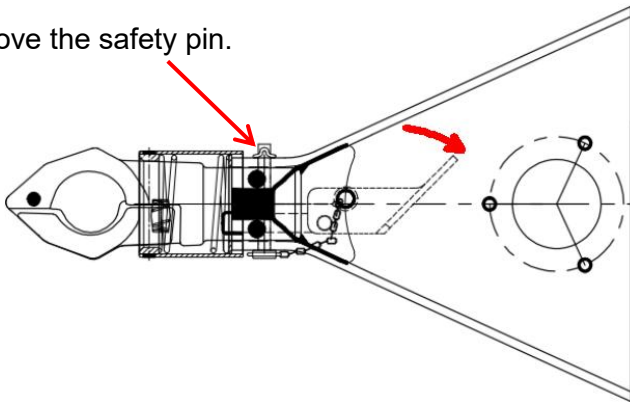
1. Douille à rotule 2. Poignée 3. Goupille de sécurité 4. Trou de montage du cric

COMPONENTS

Non.	Image	Nom	Qua
1		Attelage de remorque	1
3		Manuel d'utilisation	1

OPERATION

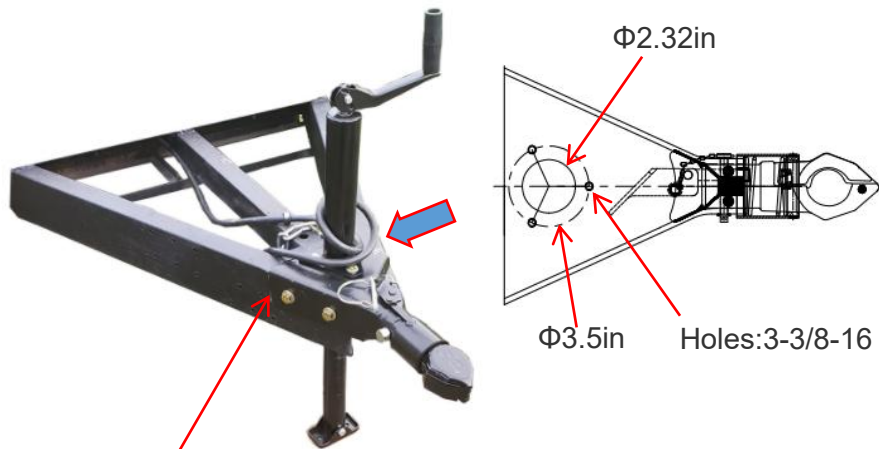
Remove the safety pin.



Pour ouvrir, tirez sur la poignée du coupleur et faites-la tourner. Placez le coupleur sur la boule. Lorsque la boule est complètement emboîtée dans la douille de la boule. Relâchez la poignée du coupleur jusqu'à ce que la poignée soit en position verrouillée. Branchez le loquet de sécurité. Après avoir remorqué sur 50 miles, vérifiez que le coupleur est bien serré sur la boule. Vérifiez toujours le serrage avant de remorquer.

Assurez-vous que la poignée du coupleur est en position verrouillée.

Installation :



The welding must be firm and reliable.

MAINTENANCE

1. Veuillez vérifier que les boulons sont bien serrés avant chaque utilisation.
2. Ne pas surcharger.
3. Faites attention à la prévention de la rouille.

FABRIQUÉ EN CHINE

VEVOR[®]
TOUGH TOOLS, HALF PRICE

Certificat de support technique et de garantie électronique
www.vevor.com/support

VEVOR[®]

TOUGH TOOLS, HALF PRICE

Technischer Support und E-Garantie-Zertifikat www.vevor.com/support

ANHÄNGERKUPPLUNG

MODELL: SS-TC-10B

We continue to be committed to provide you tools with competitive price.

"Save Half", "Half Price" or any other similar expressions used by us only represents an estimate of savings you might benefit from buying certain tools with us compared to the major top brands and does not necessarily mean to cover all categories of tools offered by us. You are kindly reminded to verify carefully when you are placing an order with us if you are actually saving half in comparison with the top major brands.

VEVOR[®]

TOUGH TOOLS, HALF PRICE

TRAILER COUPLER

MODELL: SS -TC-10B



NEED HELP? CONTACT US!

Have product questions? Need technical support? Please feel free to contact us:

TechnicalSupport and E-Warranty Certificate

www.vevor.com/support

This is the original instruction, please read all manual instructions carefully before operating. VEVOR reserves a clear interpretation of our user manual. The appearance of the product shall be subject to the product you received. Please forgive us that we won't inform you again if there are any technology or software updates on our product.

SAFETY INSTRUCTIONS

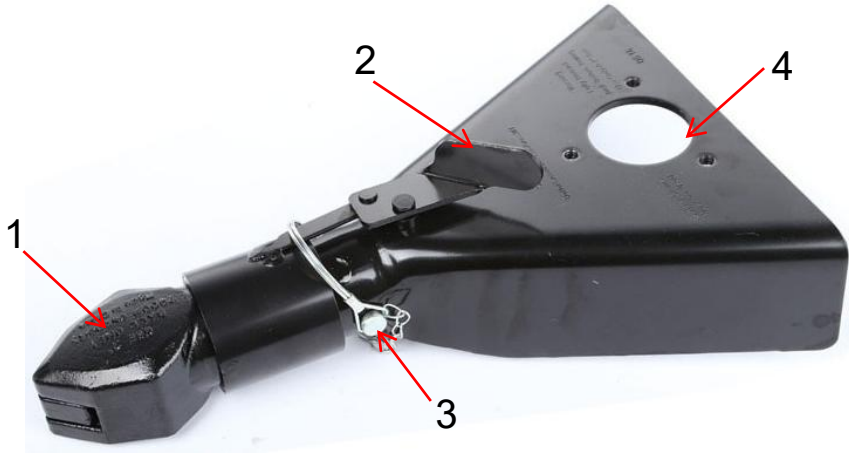
⚠ WARNING

13. Es müssen Sicherungsketten verwendet werden.
14. Achten Sie bei Schweißarbeiten unbedingt auf guten Schutz.
15. Überprüfen Sie unbedingt, ob die Schrauben fest angezogen sind .
16. Achten Sie auf die passende Anhängerkupplung.
17. Nach 50 Meilen Schleppen prüfen Sie, ob die Kupplung fest auf der Kugel sitzt. Prüfen Sie vor dem Schleppen immer, ob die Kupplung fest sitzt. Stellen Sie sicher, dass der Kupplungsgriff verriegelt ist.
18. Überschreiten Sie nicht das zulässige Gesamtgewicht des Anhängers.

MODEL AND PARAMETERS



Modell	SS -TC- 10B
Kapazität	70,00 Pfund
Ballgröße	2 Zoll
Anwendbarer	2 Zoll
Montagewinkel	50°
Farbe	Schwarz

STRUCTURE DIAGRAM



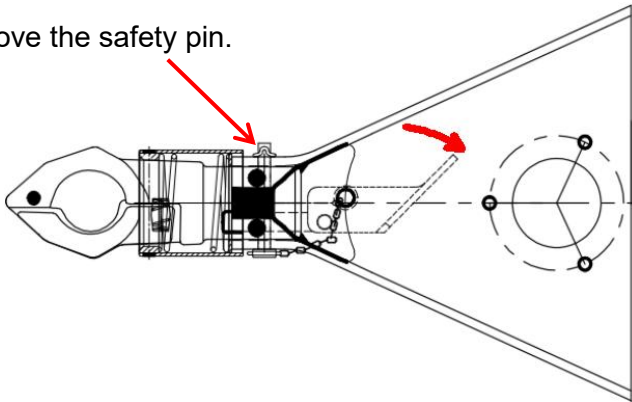
1. Kugelgelenk 2. Griff 3. Sicherheitsstift 4. Befestigungsloch für Wagenheber

COMPONENTS

NEIN.	Bild	Name	Men
1		Anhängerkupplung	1
3		Bedienungsanleitung	1

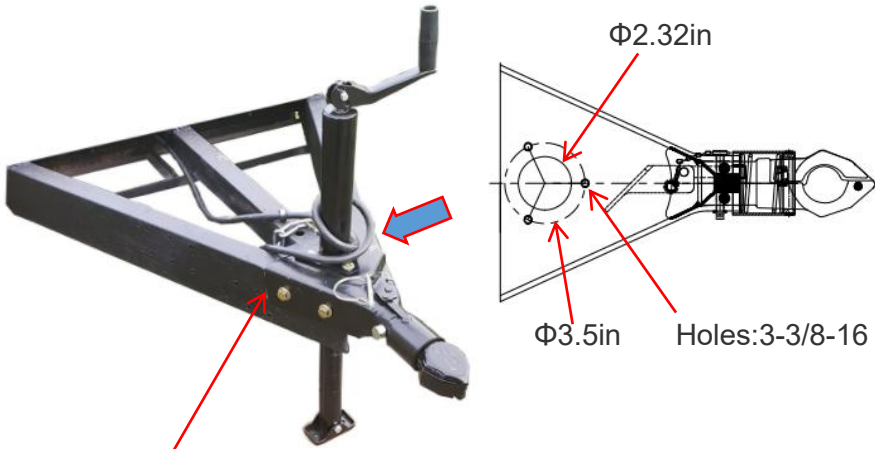
OPERATION

Remove the safety pin.



Zum Öffnen den Kupplungsgriff ziehen und drehen. Kupplung auf Kugel platzieren. Wenn Kugel vollständig in Kugelpfanne sitzt. Kupplungsgriff loslassen, bis Griff in verriegelter Position ist. Sicherheitsriegel einstecken. Nach 50 Meilen Schleppen prüfen Sie, ob die Kupplung fest auf der Kugel sitzt. Prüfen Sie vor dem Schleppen immer, ob die Kupplung fest sitzt. Stellen Sie sicher, dass der Kupplungsgriff verriegelt ist.

Installation :



The welding must be firm and reliable.

MAINTENANCE

1. Bitte überprüfen Sie vor jedem Gebrauch, ob die Schrauben fest sitzen.
2. Nicht überladen.
3. Achten Sie auf Rostschutz.

IN CHINA HERGESTELLT

VEVOR[®]
TOUGH TOOLS, HALF PRICE

Technischer Support und E-Garantie-Zertifikat
www.vevor.com/support

VEVOR[®]

TOUGH TOOLS, HALF PRICE

Supporto tecnico e certificato di garanzia elettronica www.vevor.com/support

ATTACCO PER RIMORCHIO

MODELLO: SS-TC-10B

We continue to be committed to provide you tools with competitive price.

"Save Half", "Half Price" or any other similar expressions used by us only represents an estimate of savings you might benefit from buying certain tools with us compared to the major top brands and does not necessarily mean to cover all categories of tools offered by us. You are kindly reminded to verify carefully when you are placing an order with us if you are actually saving half in comparison with the top major brands.

VEVOR[®]

TOUGH TOOLS, HALF PRICE

TRAILER COUPLER

MODELLO: SS -TC-10B



NEED HELP? CONTACT US!

Have product questions? Need technical support? Please feel free to contact us:

TechnicalSupport and E-Warranty Certificate

www.vevor.com/support

This is the original instruction, please read all manual instructions carefully before operating. VEVOR reserves a clear interpretation of our user manual. The appearance of the product shall be subject to the product you received. Please forgive us that we won't inform you again if there are any technology or software updates on our product.

SAFETY INSTRUCTIONS

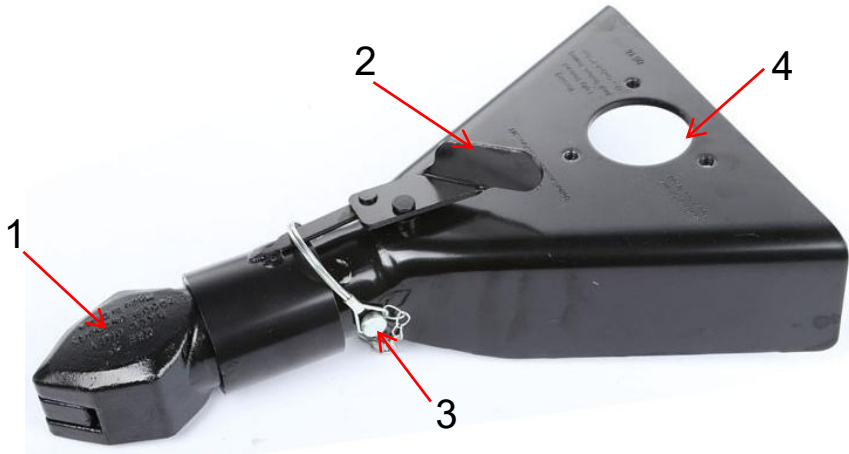
⚠ WARNING

19. È obbligatorio utilizzare catene di sicurezza.
20. Assicuratevi di indossare una buona protezione durante i lavori di saldatura.
21. Assicuratevi di controllare che i bulloni siano ben serrati .
22. Assicuratevi di abbinare la sfera del rimorchio corrispondente.
23. Dopo aver trainato per 50 miglia, controllare che l'accoppiatore sia ben stretto sulla sfera. Controllare sempre che sia ben stretto prima di trainare. Assicurarsi che la maniglia dell'accoppiatore sia in posizione bloccata.
24. Non superare la portata massima del rimorchio.

MODEL AND PARAMETERS



Modello	SS -TC- 10B
Capacità	70 00 libbre
Dimensioni della palla	2 pollici
Diametro / Lunghezza del canale	2 pollici
Angolo di montaggio	50°
Colore	Nero

STRUCTURE DIAGRAM



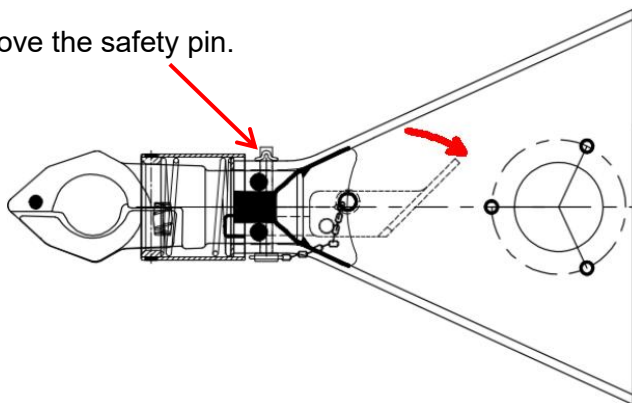
1. Presa a sfera
2. Maniglia
3. Perno di sicurezza
4. Foro di montaggio del martinetto

COMPONENTS

NO.	Immagine	Nome	Qua
1		Attacco per rimorchio	1
3		Manuale d'uso	1

OPERATION

Remove the safety pin.

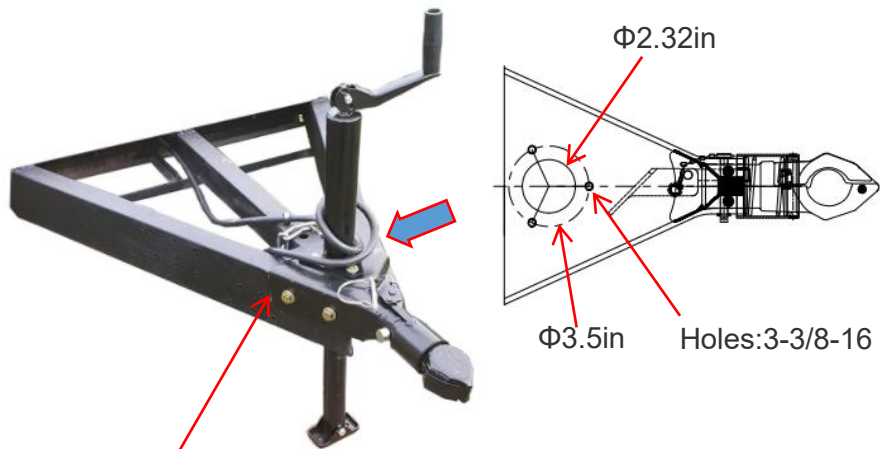


Per aprire, tirare la maniglia dell'accoppiatore e ruotare. Posizionare l'accoppiatore sulla sfera. Quando la sfera è completamente annidata nella sede della sfera. Rilasciare la maniglia dell'accoppiatore finché la maniglia non è in posizione di blocco. Inserire il fermo di sicurezza.

Dopo aver trainato per 50 miglia, controllare che l'accoppiatore sia ben stretto sulla sfera. Controllare sempre che sia ben stretto prima di trainare.

Assicurarsi che la maniglia dell'accoppiatore sia in posizione bloccata.

Installazione :



The welding must be firm and reliable.

MAINTENANCE

1. Controllare che i bulloni siano ben serrati prima di ogni utilizzo.
2. Non sovraccaricare.
3. Prestare attenzione alla prevenzione della ruggine.

MADE IN CHINA

VEVOR[®]

TOUGH TOOLS, HALF PRICE

Supporto tecnico e certificato di garanzia elettronica

www.vevor.com/support

VEVOR[®]

TOUGH TOOLS, HALF PRICE

Soporte técnico y certificado de garantía electrónica www.vevor.com/support

ACOPLAMIENTO DE REMOLQUE

MODELO: SS-TC-10B

We continue to be committed to provide you tools with competitive price.

"Save Half", "Half Price" or any other similar expressions used by us only represents an estimate of savings you might benefit from buying certain tools with us compared to the major top brands and does not necessarily mean to cover all categories of tools offered by us. You are kindly reminded to verify carefully when you are placing an order with us if you are actually saving half in comparison with the top major brands.

VEVOR[®]

TOUGH TOOLS, HALF PRICE

TRAILER COUPLER

MODELO: SS -TC-10B



NEED HELP? CONTACT US!

Have product questions? Need technical support? Please feel free to contact us:

TechnicalSupport and E-Warranty Certificate

www.vevor.com/support

This is the original instruction, please read all manual instructions carefully before operating. VEVOR reserves a clear interpretation of our user manual. The appearance of the product shall be subject to the product you received. Please forgive us that we won't inform you again if there are any technology or software updates on our product.

SAFETY INSTRUCTIONS

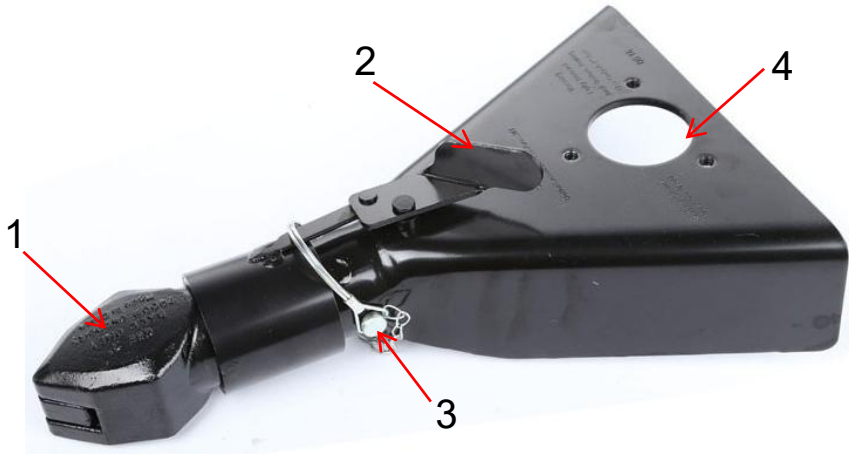
⚠WARNING

25. Se deben utilizar cadenas de seguridad.
26. Asegúrese de llevar una buena protección durante los trabajos de soldadura.
27. Asegúrese de comprobar que los tornillos estén bien apretados .
28. Asegúrese de hacer coincidir la bola de remolque correspondiente.
29. Después de remolcar durante 50 millas, verifique que el enganche esté bien apretado en la bola. Siempre verifique que esté bien apretado antes de remolcar. Asegúrese de que la manija del enganche esté en la posición bloqueada.
30. No exceda la capacidad de peso bruto del remolque.

MODEL AND PARAMETERS



Modelo	SS -TC- 10B
Capacidad	70 00 libras
Tamaño de la pelota	2 pulgadas
Diámetro / longitud del canal	2 pulgadas
Ángulo de montaje	50°
Color	Negro

STRUCTURE DIAGRAM



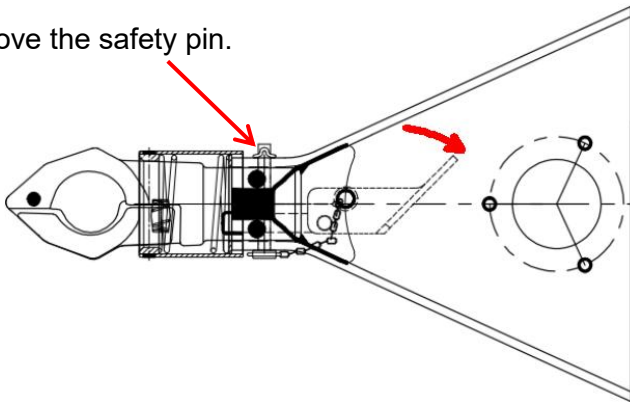
1. Zócalo esférico
2. Mango
3. Pasador de seguridad
4. Orificio de montaje del gato

COMPONENTS

No.	Imagen	Nombre	Cant
1		Acoplamiento de remolque	1
3		Manual de usuario	1

OPERATION

Remove the safety pin.

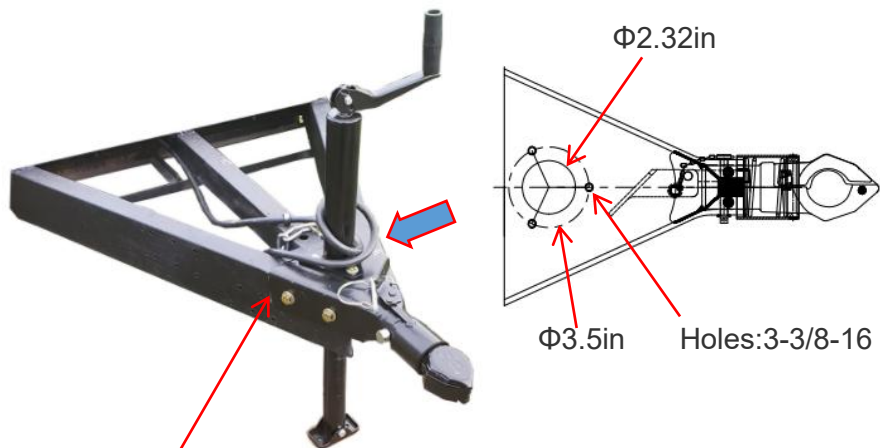


Para abrir, tire de la manija del acoplador y gírela. Coloque el acoplador sobre la bola. Cuando la bola esté completamente encajada en el receptáculo de la bola, suelte la manija del acoplador hasta que la manija esté en la posición bloqueada. Conecte el pestillo de seguridad.

Después de remolcar durante 50 millas, verifique que el enganche esté bien apretado en la bola. Siempre verifique que esté bien apretado antes

de remolcar. Asegúrese de que la manija del enganche esté en la posición bloqueada.

Instalación :



The welding must be firm and reliable.

MAINTENANCE

1. Compruebe que los tornillos estén bien apretados antes de cada uso.
2. No sobrecargue.
3. Preste atención a la prevención de la oxidación.

HECHO EN CHINA

VEVOR[®]
TOUGH TOOLS, HALF PRICE

Soporte técnico y certificado de garantía electrónica
www.vevor.com/support

VEVOR[®]

TOUGH TOOLS, HALF PRICE

Wsparcie techniczne i certyfikat e-gwarancji www.vevor.com/support

SPRZĘG PRZYCZEPY

MODEL: SS-TC-10B

We continue to be committed to provide you tools with competitive price.

"Save Half", "Half Price" or any other similar expressions used by us only represents an estimate of savings you might benefit from buying certain tools with us compared to the major top brands and does not necessarily mean to cover all categories of tools offered by us. You are kindly reminded to verify carefully when you are placing an order with us if you are actually saving half in comparison with the top major brands.

VEVOR[®]

TOUGH TOOLS, HALF PRICE

TRAILER COUPLER

MODEL: SS -TC-10B



NEED HELP? CONTACT US!

Have product questions? Need technical support? Please feel free to contact us:

TechnicalSupport and E-Warranty Certificate

www.vevor.com/support

This is the original instruction, please read all manual instructions carefully before operating. VEVOR reserves a clear interpretation of our user manual. The appearance of the product shall be subject to the product you received. Please forgive us that we won't inform you again if there are any technology or software updates on our product.

SAFETY INSTRUCTIONS

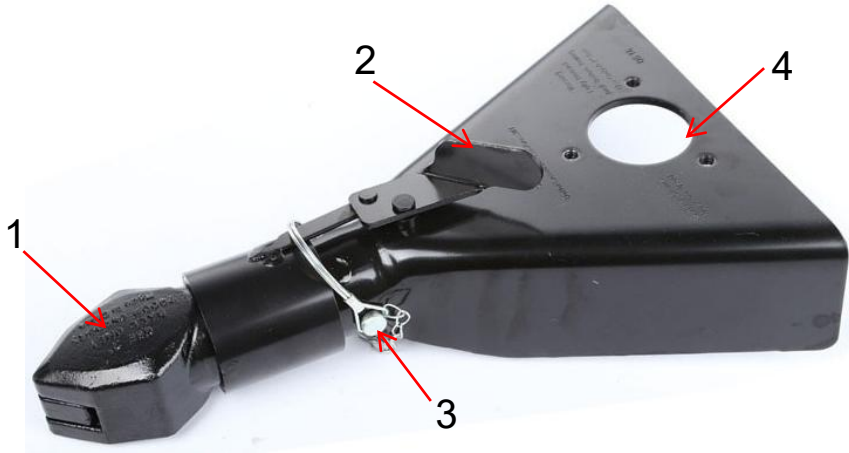
⚠ WARNING

31. Należy stosować łańcuchy bezpieczeństwa.
32. Podczas prac spawalniczych należy zadbać o odpowiednią ochronę.
33. Sprawdź dokładnie, czy śruby są dobrze dokręcone .
34. Pamiętaj o dopasowaniu odpowiedniej kuli przyczepy.
35. Po holowaniu przez 50 mil sprawdź szczelność zaczepu na kuli.
Zawsze sprawdzaj szczelność przed holowaniem. Upewnij się, że uchwyt zaczepu jest w pozycji zablokowanej.
36. Nie przekraczać dopuszczalnej masy całkowitej przyczepy.

MODEL AND PARAMETERS

Model	SS -TC- 10B
Pojemność	70 00 funtów
Rozmiar piłki	2 cale
Średnica / długość kanału, który	2 cale
Kąt montażu	50°
Kolor	Czarny

STRUCTURE DIAGRAM



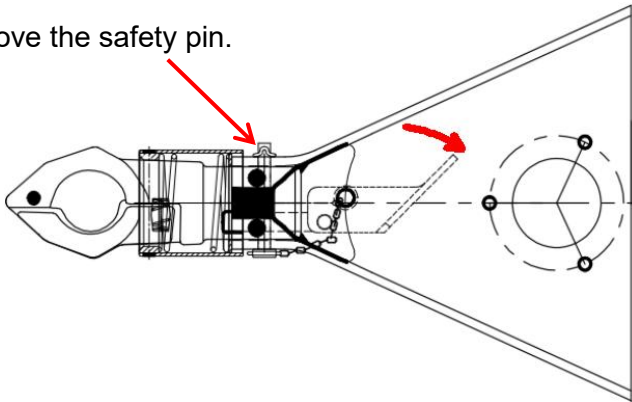
1. Gniazdo kulowe
2. Uchwyt
3. Kołek zabezpieczający
4. Otwór montażowy podnośnika

COMPONENTS

NIE.	Zdjęcie	Nazwa	Ilość
1		Sprzęg przyczepy	1
3		Instrukcja obsługi	1

OPERATION

Remove the safety pin.

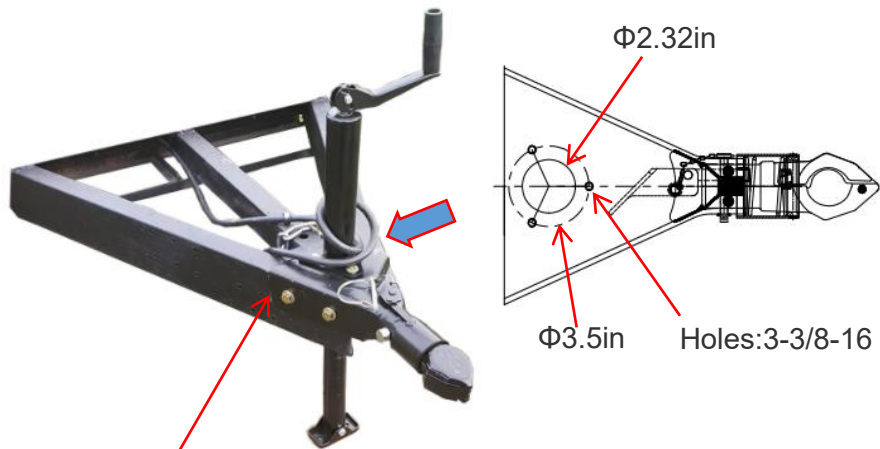


Aby otworzyć, pociągnij za uchwyt sprzęgu i obróć. Umieść sprzęg na kuli. Gdy kula jest całkowicie osadzona w gnieździe kuli. Zwolnij uchwyt sprzęgu, aż uchwyt znajdzie się w pozycji zablokowanej. Podłącz zatrzask bezpieczeństwa.

Po holowaniu przez 50 mil sprawdź szczelność zaczepu na kuli. Zawsze sprawdzaj szczelność przed holowaniem. Upewnij się, że uchwyt zaczepu

jest w pozycji zablokowanej.

Instalacja :



The welding must be firm and reliable.

MAINTENANCE

1. Przed każdym użyciem sprawdź, czy śruby są dokręcone.
2. Nie przeciążaj.
3. Zwróć uwagę na ochronę przed rdzą.

WYKONANO W CHINACH

VEVOR[®]

TOUGH TOOLS, HALF PRICE

Certyfikat wsparcia technicznego i gwarancji elektronicznej

www.vevor.com/support

VEVOR[®]

TOUGH TOOLS, HALF PRICE

Technische ondersteuning en e-garantiecertificaat www.vevor.com/support

AANHANGWAGENKOPPELING

MODEL: SS-TC-10B

We continue to be committed to provide you tools with competitive price.

"Save Half", "Half Price" or any other similar expressions used by us only represents an estimate of savings you might benefit from buying certain tools with us compared to the major top brands and does not necessarily mean to cover all categories of tools offered by us. You are kindly reminded to verify carefully when you are placing an order with us if you are actually saving half in comparison with the top major brands.

VEVOR[®]

TOUGH TOOLS, HALF PRICE

TRAILER COUPLER

MODEL: SS -TC-10B



NEED HELP? CONTACT US!

Have product questions? Need technical support? Please feel free to contact us:

TechnicalSupport and E-Warranty Certificate

www.vevor.com/support

This is the original instruction, please read all manual instructions carefully before operating. VEVOR reserves a clear interpretation of our user manual. The appearance of the product shall be subject to the product you received. Please forgive us that we won't inform you again if there are any technology or software updates on our product.

SAFETY INSTRUCTIONS

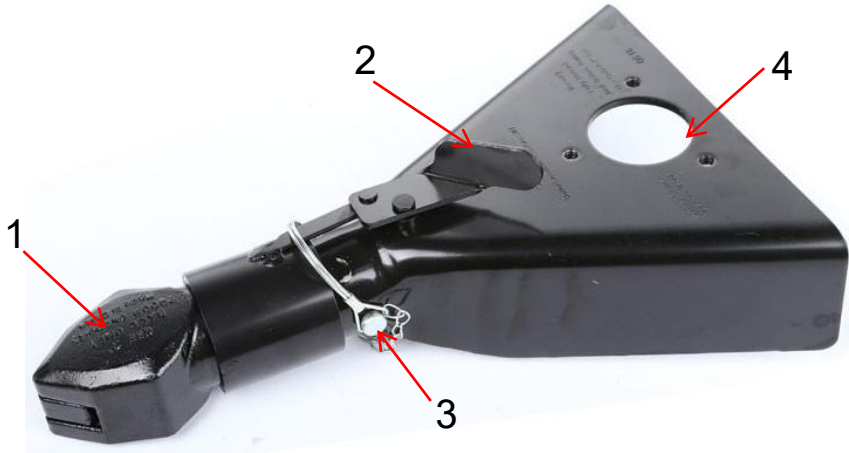
⚠ WARNING

37. Er moeten veiligheidskettingen worden gebruikt.
38. Zorg ervoor dat u goede bescherming draagt tijdens laswerkzaamheden.
39. Controleer of de bouten goed vastzitten .
40. Zorg ervoor dat je de juiste trailerbal gebruikt.
41. Controleer na 50 mijl slepen of de koppeling stevig op de kogel zit. Controleer altijd de stevigheid voordat u gaat slepen. Zorg ervoor dat de koppelingshendel in de vergrendelde positie staat.
42. het maximaal toegestane totaalgewicht van de aanhanger niet .

MODEL AND PARAMETERS



Model	SS -TC- 10B
Capaciteit	70 00 pond
Balgrootte	2 inch
Toepasselijke kanaaldiameter /	2 inch
Montagehoek	50°
Kleur	Zwart

STRUCTURE DIAGRAM



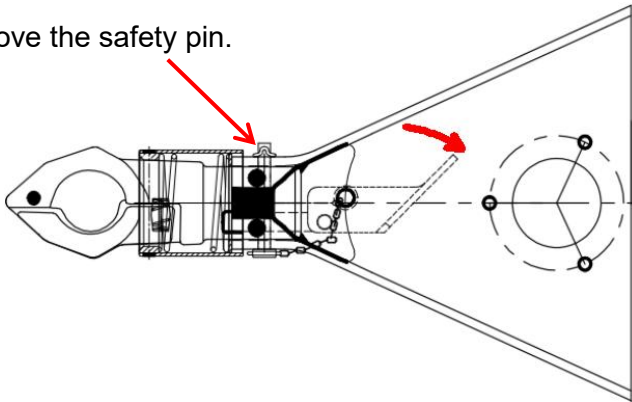
1. Kogelgewricht 2. Handvat 3. Veiligheidspen 4. Montagegat voor de krik

COMPONENTS

Nee.	Afbeelding	Naam	Hoe
1		Aanhangwagenkoppeling	1
3		Gebruiksaanwijzing	1

OPERATION

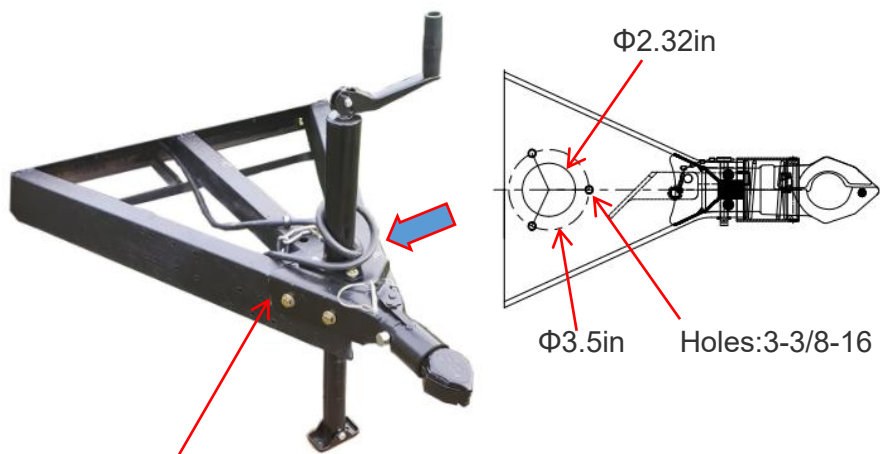
Remove the safety pin.



Om te openen, trek aan de koppelingshendel en draai. Plaats de koppeling op de kogel. Wanneer de kogel volledig in de kogelhouder is genest. Laat de koppelingshendel los totdat de hendel in de vergrendelde positie staat. Sluit de veiligheidsgrendel aan.

Controleer na 50 mijl slepen of de koppeling stevig op de kogel zit. Controleer altijd de stevigheid voordat u gaat slepen. Zorg ervoor dat de koppelingshendel in de vergrendelde positie staat.

Installatie :



The welding must be firm and reliable.

MAINTENANCE

1. Controleer voor elk gebruik of de bouten goed vastzitten.
2. Overbelast niet.
3. Let op roestpreventie.

Gemaakt in China

VEVOR[®]

TOUGH TOOLS, HALF PRICE

Technische ondersteuning en e-garantiecertificaat

www.vevor.com/support

VEVOR[®]

TOUGH TOOLS, HALF PRICE

Teknisk support och e-garanticertifikat www.vevor.com/support

SLÄPVAGNSKOPPLING

MODELL: SS-TC-10B

We continue to be committed to provide you tools with competitive price.

"Save Half", "Half Price" or any other similar expressions used by us only represents an estimate of savings you might benefit from buying certain tools with us compared to the major top brands and does not necessarily mean to cover all categories of tools offered by us. You are kindly reminded to verify carefully when you are placing an order with us if you are actually saving half in comparison with the top major brands.

VEVOR[®]

TOUGH TOOLS, HALF PRICE

TRAILER COUPLER

MODELL: SS -TC-10B



NEED HELP? CONTACT US!

Have product questions? Need technical support? Please feel free to contact us:

TechnicalSupport and E-Warranty Certificate

www.vevor.com/support

This is the original instruction, please read all manual instructions carefully before operating. VEVOR reserves a clear interpretation of our user manual. The appearance of the product shall be subject to the product you received. Please forgive us that we won't inform you again if there are any technology or software updates on our product.

SAFETY INSTRUCTIONS

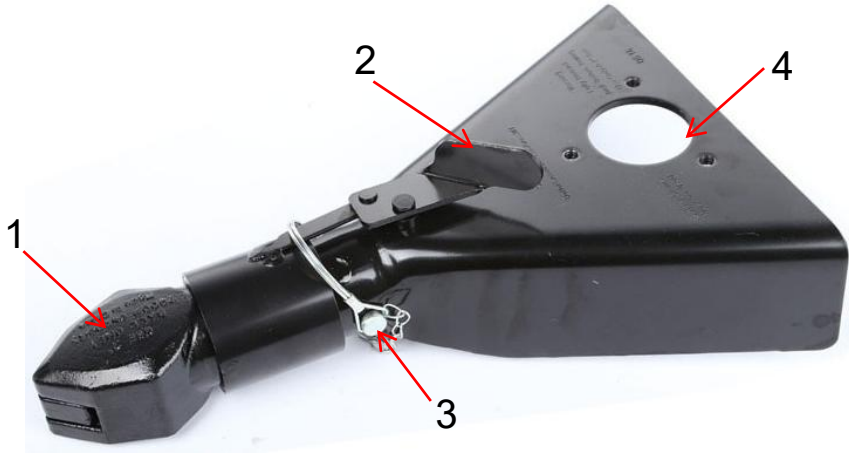
⚠ WARNING

43. Säkerhetskedjor måste användas.
44. Se till att ta bra skydd under svetsarbeten.
45. Se till att kontrollera att bultarna är åtdragna .
46. Se till att matcha motsvarande trailerkula.
47. Efter bogsering i 50 miles, kontrollera att kopplingen är tät på kulan.
Kontrollera alltid tätheten innan bogsering. Se till att kopplingshandtaget är i låst läge.
48. Överskrid inte släpvagnens totalvikt.

MODEL AND PARAMETERS



Modell	SS -TC- 10B
C kapacitet	70 00 pund
Kulstorlek	2 tum
Tillämplig kanaldiameter / L	2 tum
Monteringsvinkel	50°
Färg	Svart

STRUCTURE DIAGRAM



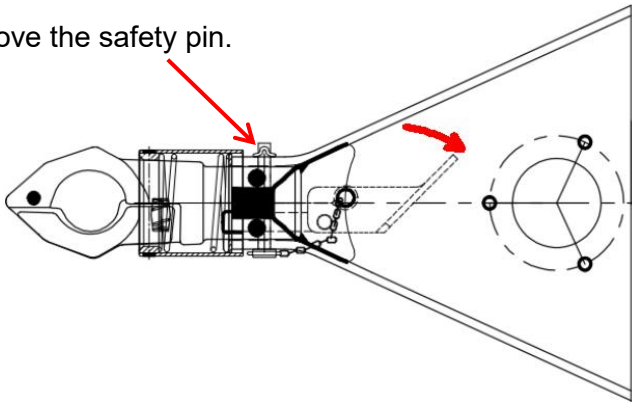
1. Kulhylsa 2. Handtag 3. Säkerhetsstift 4. Jackmonteringshål

COMPONENTS

Inga.	Bild	Namn	Anta
1		Släpvagnskoppling	1
3		Användarmanual	1

OPERATION

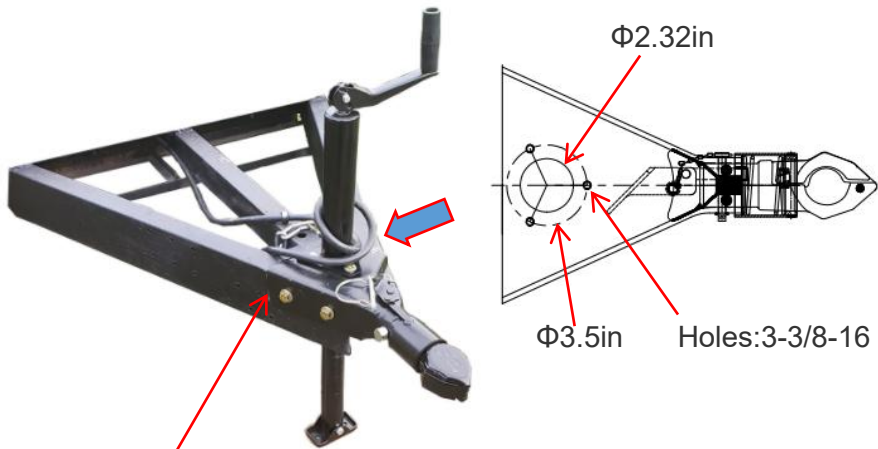
Remove the safety pin.



För att öppna, dra i kopplingshandtaget och rotera. Placera kopplingen på kulan. När bollen är helt kapad i kulsålen. Släpp kopplingshandtaget tills handtaget är i låst läge. Sätt i säkerhetsspärren.

Efter bogsering i 50 miles, kontrollera att kopplingen är tät på kulan. Kontrollera alltid tätheten innan bogsering. Se till att kopplingshandtaget är i låst läge.

Installation :



The welding must be firm and reliable.

MAINTENANCE

1. Kontrollera att bultarna är åtdragna före varje användning.
2. Överbelasta inte.
3. Var uppmärksam på att förhindra rost.

GJORT I KINA

VEVOR[®]

TOUGH TOOLS, HALF PRICE

Teknisk support och e-garanticertifikat

www.vevor.com/support