

# **VEVOR<sup>®</sup>**

## **TOUGH TOOLS, HALF PRICE**

Technical Support and E-Warranty Certificate

[www.vevor.com/support](http://www.vevor.com/support)

## **UTILITY CARTS USER MANUAL**

### **MODEL: JY-BS**

We continue to be committed to provide you tools with competitive price.

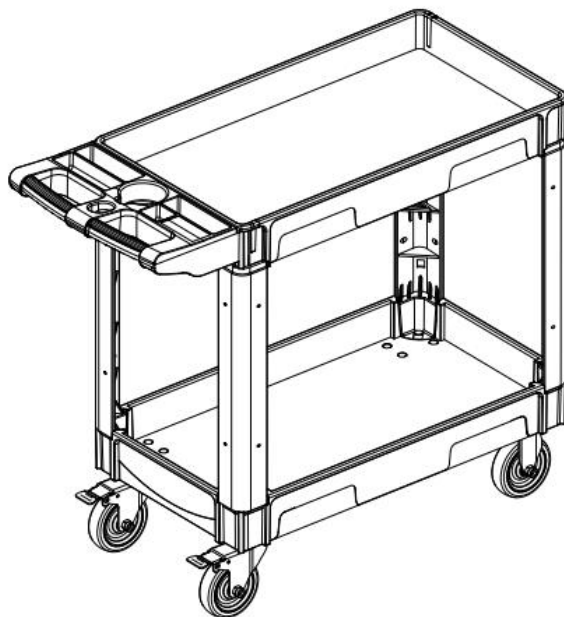
"Save Half", "Half Price" or any other similar expressions used by us only represents an estimate of savings you might benefit from buying certain tools with us compared to the major top brands and does not necessarily mean to cover all categories of tools offered by us. You are kindly reminded to verify carefully when you are placing an order with us if you are actually saving half in comparison with the top major brands.

# VEVOR<sup>®</sup>

TOUGH TOOLS, HALF PRICE

## UTILITY CARTS

**MODEL: JY-BS**



### **NEED HELP? CONTACT US!**

Have product questions? Need technical support? Please feel free to contact us:

**Technical Support and E-Warranty Certificate**  
**[www.vevor.com/support](http://www.vevor.com/support)**

This is the original instruction, please read all manual instructions carefully before operating. VEVOR reserves a clear interpretation of our user manual. The appearance of the product shall be subject to the product you received. Please forgive us that we won't inform you again if there are any technology or software updates on our product.

## SAFETY INSTRUCTION AND PRECAUTIONS



### **WARNING:**

Read this material before using this product. Failure to do so can result in serious injury. SAVE THIS MANUAL

### **Assembly precautions**

1. Assemble only according to these instructions. Improper assembly can create hazards.
2. Wear ANSI-approved safety goggles and heavy-duty work gloves during assembly.
3. Keep assembly area clean and well lit.
4. Keep bystanders out of the area during assembly.
5. Do not assemble when tired or when under the influence of alcohol, drugs or medication.
6. Weight capacity and other product capabilities apply to properly and completely assembled product only.
7. Assemble on a flat, level, hard and smooth surface capable of safely supporting a fully loaded utility carts.

### **Use precautions**

#### **TO PREVENT SERIOUS INJURY AND DEATH FROM TIPPING:**

1. DO NOT SIT, STAND OR CLIMB ON THIS ITEM.
2. This product is not a toy. Do not allow children to play with or near this item.
3. Do not exceed weight capacities, evenly distributed from bottom up. Be aware of dynamic loading! Sudden load movement may briefly create excess load causing product failure.
4. Use only on a flat, level, hard and smooth surface capable of safely supporting a fully loaded utility carts.
5. Do not lift while loaded.
6. To prevent tipping, push/pull using supplied handle only.
7. Use as intended only.
8. Inspect before every use; do not use if parts are loose or damaged.

## TOOL REQUIRED FOR INSTALLATION

Phillips Screwdriver and Rubber mallet

Note: The phillips screwdriver and rubber mallet tools not included with this product

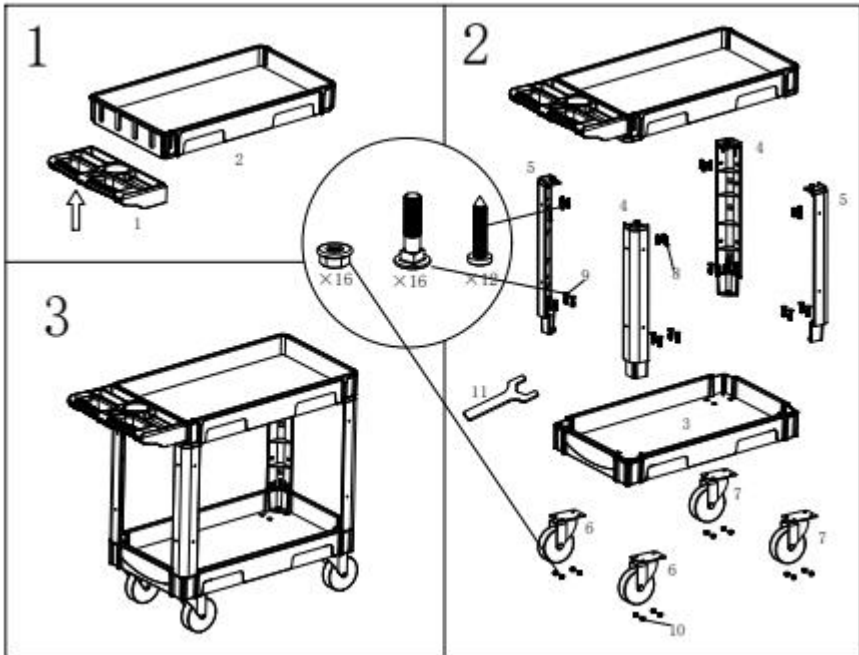
## PARTS LIST

Parts Breakdown		
Index No.	Description	Qty
1	Handle	1
2	Upper Platform	1
3	Lower Platform	1
4	left Leg	2
5	Right Leg	2
6	Brake Castor Assembly $\Phi$ 5 in	2
7	Fixed Castor Assembly $\Phi$ 5 in	2
8	Tapping Screw M6*24mm	12
9	Screw Bolt M8*33mm	16
10	Hex Nut M8	16
11	Wrench	1

## ASSEMBLY

Use the mallet to tap down the parts to ensure they are seated properly before fastening them with screws.

- 1.Upper board layer pin is stuck in the card slot(#1)
- 2 .Turn upper platform upright (#2) and install handle (#1)
- 3.Turn upper platform assembly upside down, and install legs (two left and two right, #4and#5)
4. install lower platform(#3) and castors(#6 #7)Tighten all screws and hex nuts. (#8, #9, #10)The inner part of the installation column is equipped with black screws, and the outer three are silver screws. The screws are packaged separately in bags, and labeled with stickers and small arrows on the plastic bags.



	<b>Items</b>	<b>Description</b>
1	Name	Utility carts
2	Model	JY-BS
3	Parameter	Load-bearing: 550lb, Number of plies: 2, Pallet sizes(LxWxHxD): 810x450x100x80mm
4	Package Size	805x445x220mm
5	G.W.	15.5KG

**Manufacturer:** Shanghaimuxinmuyeyouxiangongsi

**Address:** Shuangchenglu 803nong11hao1602A-1609shi, baoshanqu, shanghai 200000 CN.

**Imported to AUS:** SIHAO PTY LTD, 1 ROKEVA STREETEASTWOOD NSW 2122 Australia

**Imported to USA:** Sanven Technology Ltd., Suite 250, 9166 Anaheim Place, Rancho Cucamonga, CA 91730

<b>EC</b>	<b>REP</b>
-----------	------------

E-CrossStu GmbH  
Mainzer Landstr.69, 60329 Frankfurt am Main.

<b>UK</b>	<b>REP</b>
-----------	------------

YH CONSULTING LIMITED.  
C/O YH Consulting Limited Office 147, Centurion House,  
London Road, Staines-upon-Thames, Surrey, TW18 4AX

**VEVOR<sup>®</sup>**

**TOUGH TOOLS, HALF PRICE**

**Technical Support and E-Warranty Certificate**

**[www.vevor.com/support](http://www.vevor.com/support)**



# **VEVOR<sup>®</sup>**

**TOUGH TOOLS, HALF PRICE**

Technique Certificat d'assistance et de garantie électronique

[www.vevor.com/support](http://www.vevor.com/support)

## **CHARIOTS UTILITAIRES MANUEL**

### **D'UTILISATION**

#### **MODÈLE: JY-BS**

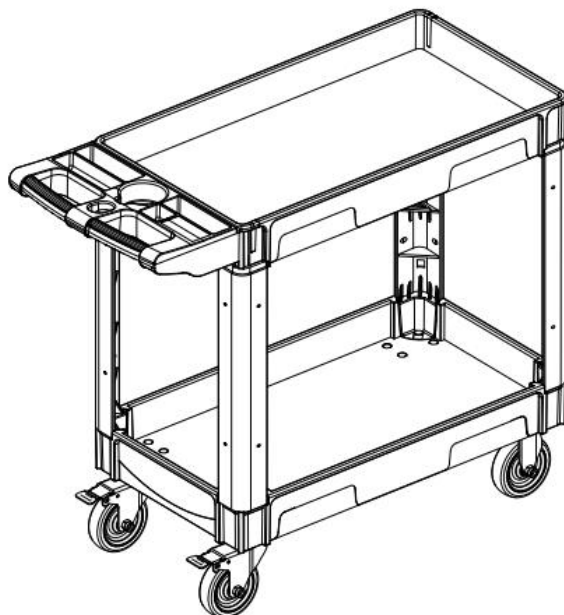
We continue to be committed to provide you tools with competitive price. "Save Half", "Half Price" or any other similar expressions used by us only represents an estimate of savings you might benefit from buying certain tools with us compared to the major top brands and does not necessarily mean to cover all categories of tools offered by us. You are kindly reminded to verify carefully when you are placing an order with us if you are actually saving half in comparison with the top major brands.

# VEVOR®

TOUGH TOOLS, HALF PRICE

## UTILITY CARTS

MODÈLE : JY-B S



### NEED HELP? CONTACT US!

Have product questions? Need technical support? Please feel free to contact us:

**Technical Support and E-Warranty Certificate**  
**[www.vevor.com/support](http://www.vevor.com/support)**

This is the original instruction, please read all manual instructions carefully before operating. VEVOR reserves a clear interpretation of our user manual. The appearance of the product shall be subject to the product you received. Please forgive us that we won't inform you again if there are any technology or software updates on our product.

## SAFETY INSTRUCTION AND PRECAUTIONS



### **AVERTISSEMENT:**

Lisez ce manuel avant d'utiliser ce produit. Le non-respect de ces instructions peut entraîner des blessures graves. **CONSERVEZ CE MANUEL**

### **Précautions de montage**

1. Assembler uniquement selon ces instructions. Un assemblage incorrect peut créer des dangers.
2. Portez des lunettes de sécurité approuvées ANSI et des gants de travail robustes pendant l'assemblage.
3. Gardez la zone de montage propre et bien éclairée.
4. Gardez les spectateurs hors de la zone pendant l'assemblage.
5. Ne montez pas lorsque vous êtes fatigué ou sous l'influence de l'alcool, de drogues ou de médicaments.
6. La capacité de poids et les autres capacités du produit s'appliquent uniquement au produit correctement et complètement assemblé.
7. Assemblez sur une surface plane, de niveau, dure et lisse capable de supporter en toute sécurité un chariot utilitaire entièrement chargé.

### **Précautions d'emploi**

#### **POUR ÉVITER LES BLESSURES GRAVES ET LA MORT RÉSULTANT DU BASCULEMENT :**

1. NE PAS S'ASSEOIR, SE TENIR DEBOUT OU MONTER SUR CET ARTICLE.
2. Ce produit n'est pas un jouet. Ne laissez pas les enfants jouer avec ou à proximité de cet article.
3. Ne pas dépasser les limites de poids, réparties uniformément de bas en haut. Attention aux charges dynamiques ! Un mouvement de charge soudain peut brièvement créer une charge excessive entraînant une défaillance du produit.
4. Utiliser uniquement sur une surface plane, horizontale, dure et lisse capable de supporter en toute sécurité un chariot utilitaire entièrement

chargé.

5. Ne pas soulever pendant la charge.

6. Pour éviter tout basculement, poussez/tirez uniquement à l'aide de la poignée fournie.

7. Utiliser uniquement comme prévu.

8. Inspectez avant chaque utilisation ; ne pas utiliser si des pièces sont desserrées ou endommagées.

## TOOL REQUIRED FOR INSTALLATION

Tournevis cruciforme et maillet en caoutchouc

Remarque : le tournevis cruciforme et les outils de sertissage en caoutchouc ne sont pas inclus avec ce produit.

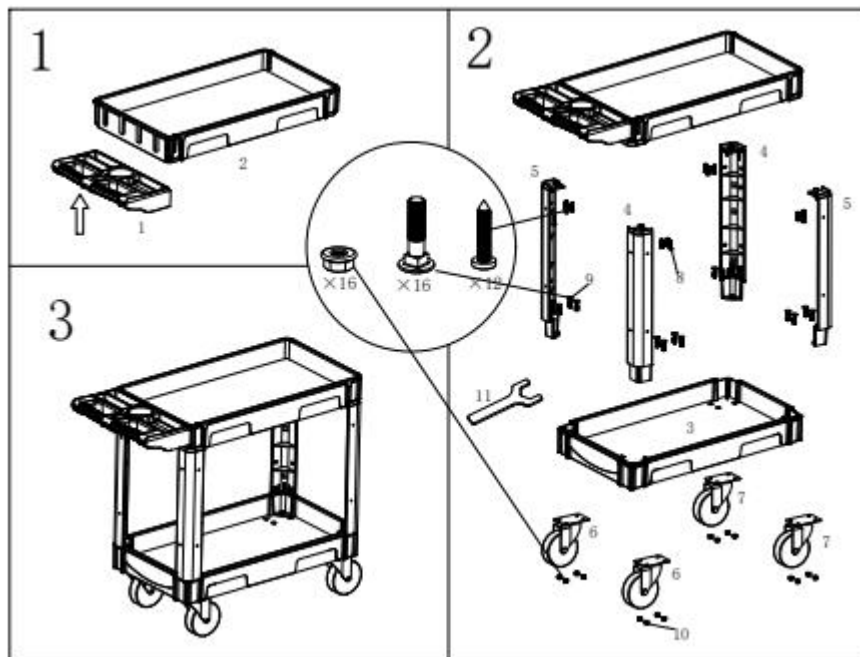
## PARTS LIST

Décomposition des pièces		
Index N°	Description	Quantité
1	Poignée	1
2	Plateforme supérieure	1
3	Plateforme inférieure	1
4	jambe gauche	2
5	Jambe droite	2
6	Ensemble de roulette à frein $\Phi$ 5 po	2
7	Ensemble de roulettes fixes $\Phi$ 5 po	2
8	Vis autotaraudeuse M6*24mm	12
9	Boulon à vis M8*33mm	16
10	Écrou hexagonal M8	16
11	Clé	1

## ASSEMBLY

Utilisez le maillet pour enfoncer les pièces afin de vous assurer qu'elles sont correctement fixées avant de les fixer avec des vis.

1. La broche de la couche supérieure de la carte est coincée dans la fente pour carte (#1)
2. Redressez la plate-forme supérieure (#2) et installez la poignée (#1)
3. Retournez l'assemblage de la plate-forme supérieure et installez les pieds (deux à gauche et deux à droite, n° 4 et n° 5)
4. Installez la plate-forme inférieure (n° 3) et les roulettes (n° 6, n° 7). Serrez toutes les vis et les écrous hexagonaux. (n° 8, n° 9, n° 10) La partie intérieure de la colonne d'installation est équipée de vis noires et les trois extérieures sont des vis argentées. Les vis sont emballées séparément dans des sacs et étiquetées avec des autocollants et de petites flèches sur les sacs en plastique.



	Articles	Description
1	Nom	Chariots utilitaires
2	Modèle	JY-BS
3	Paramètre	Charge utile : 550 lb, nombre de plis : 2, dimensions de la palette (L x l x H x ID) : 810 x 450 x 100 x 80 mm
4	Taille du paquet	805x445x220mm
5	GW	15,5 kg

**Fabricant** : Shanghaimuxinmuyeyouxiangongsi

**Adresse** : Shuangchenglu 803nong11hao1602A-1609shi, baoshanqu,  
Shanghai 200000 CN.

**Importé en Australie** : SIHAO PTY LTD, 1 ROKEVA STREET, ASTWOOD  
NSW 2122 Australie

**Importé aux États-Unis** : Sanven Technology Ltd., Suite 250, 9166 Anaheim  
Place, Rancho Cucamonga, CA 91730

<b>EC</b>	<b>REP</b>
-----------	------------

E-CrossStu GmbH  
Mainzer Landstr.69, 60329 Frankfurt am Main.

<b>UK</b>	<b>REP</b>
-----------	------------

YH CONSULTING LIMITED.  
C/O YH Consulting Limited Office 147, Centurion House,  
London Road, Staines-upon-Thames, Surrey, TW18 4AX



**VEVOR<sup>®</sup>**

**TOUGH TOOLS, HALF PRICE**

**Technique Certificat d'assistance et de garantie électronique**

**[www.vevor.com/support](http://www.vevor.com/support)**

# **VEVOR<sup>®</sup>**

## **TOUGH TOOLS, HALF PRICE**

Technisch Support und E-Garantie-Zertifikat

[www.vevor.com/support](http://www.vevor.com/support)

## **MEHRZWECKWAGEN BENUTZERHANDBUCH**

### **MODELL: JY-BS**

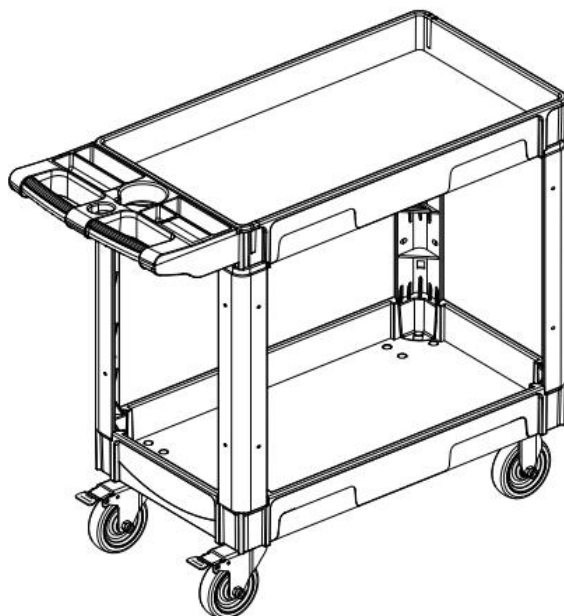
We continue to be committed to provide you tools with competitive price. "Save Half", "Half Price" or any other similar expressions used by us only represents an estimate of savings you might benefit from buying certain tools with us compared to the major top brands and does not necessarily mean to cover all categories of tools offered by us. You are kindly reminded to verify carefully when you are placing an order with us if you are actually saving half in comparison with the top major brands.

# VEVOR®

TOUGH TOOLS, HALF PRICE

## UTILITY CARTS

MODELL: JY-B S



### NEED HELP? CONTACT US!

Have product questions? Need technical support? Please feel free to contact us:

**Technical Support and E-Warranty Certificate**  
**[www.vevor.com/support](http://www.vevor.com/support)**

This is the original instruction, please read all manual instructions carefully before operating. VEVOR reserves a clear interpretation of our user manual. The appearance of the product shall be subject to the product you received. Please forgive us that we won't inform you again if there are any technology or software updates on our product.

## SAFETY INSTRUCTION AND PRECAUTIONS



### **WARNUNG:**

Lesen Sie dieses Material, bevor Sie dieses Produkt verwenden. Andernfalls kann es zu schweren Verletzungen kommen. BEWAHREN SIE DIESES HANDBUCH AUF

### **Vorsichtsmaßnahmen bei der Montage**

1. Nur gemäß dieser Anleitung zusammenbauen. Unsachgemäße Montage kann Gefahren verursachen.
2. Tragen Sie während der Montage eine ANSI-geprüfte Schutzbrille und strapazierfähige Arbeitshandschuhe.
3. Halten Sie den Versammlungsbereich sauber und gut beleuchtet.
4. Halten Sie während der Montage unbeteiligte Zuschauer vom Bereich fern.
5. Nicht zusammenbauen, wenn Sie müde sind oder unter dem Einfluss von Alkohol, Drogen oder Medikamenten stehen.
6. Gewichtskapazität und andere Produkteigenschaften gelten nur für ordnungsgemäß und vollständig montierte Produkte.
7. Auf einer flachen, ebenen, harten und glatten Oberfläche zusammenbauen, die einen voll beladenen Mehrzweckwagen sicher tragen kann.

### **Vorsichtsmaßnahmen treffen**

### **UM SCHWERE VERLETZUNGEN UND TOD DURCH KIPPEN ZU VERMEIDEN:**

1. Setzen, stellen oder klettern Sie nicht auf diesen Gegenstand.
2. Dieses Produkt ist kein Spielzeug. Erlauben Sie Kindern nicht, mit oder in der Nähe dieses Artikels zu spielen.
3. Überschreiten Sie die Gewichtskapazität nicht und verteilen Sie sie gleichmäßig von unten nach oben. Achten Sie auf dynamische Belastung! Plötzliche Lastbewegungen können kurzzeitig zu einer Überlastung führen, die zu Produktausfällen führt.
4. Nur auf flachen, ebenen, harten und glatten Flächen verwenden, die

einen voll beladenen Mehrzweckwagen sicher tragen können.

5. Nicht unter Last heben.

6. Um ein Umkippen zu verhindern, drücken/ziehen Sie nur mit dem mitgelieferten Griff.

7. Nur bestimmungsgemäß verwenden.

8. Vor jedem Gebrauch prüfen; nicht verwenden, wenn Teile lose oder beschädigt sind.

## TOOL REQUIRED FOR INSTALLATION

Kreuzschlitzschraubendreher und Gummihammer

Hinweis: Der Kreuzschlitzschraubendreher und der Gummihammer sind nicht im Lieferumfang dieses Produkts enthalten.

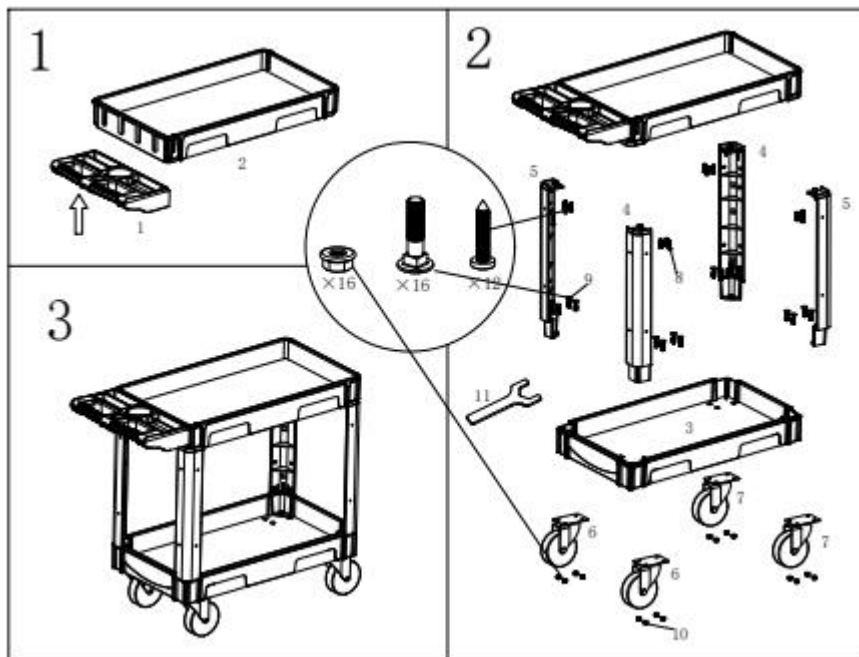
## PARTS LIST

Teileaufschlüsselung		
Index-Nr.	Beschreibung	Menge
1	Handhaben	1
2	Obere Plattform	1
3	Untere Plattform	1
4	linkes Bein	2
5	Rechtes Bein	2
6	Bremsrollenbaugruppe $\Phi$ 5 Zoll	2
7	Bockrollenbaugruppe $\Phi$ 5 Zoll	2
8	Blechschraube M6*24mm	12
9	Schraubbolzen M8*33mm	16
10	Sechskantmutter M8	16
11	Schlüssel	1

## ASSEMBLY

Um den richtigen Sitz der Teile sicherzustellen, klopfen Sie diese mit dem Hammer fest, bevor Sie sie mit Schrauben befestigen.

1. Der Stift der oberen Platinenschicht steckt im Kartensteckplatz fest (Nr. 1).
2. Drehen Sie die obere Plattform aufrecht (Nr. 2) und montieren Sie den Griff (Nr. 1).
3. Drehen Sie die obere Plattformbaugruppe um und montieren Sie die Beine (zwei links und zwei rechts, Nr. 4 und Nr. 5).
4. Untere Plattform (Nr. 3) und Rollen (Nr. 6 und 7) installieren. Alle Schrauben und Sechskantmuttern festziehen. (Nr. 8, Nr. 9, Nr. 10) Der innere Teil der Installationssäule ist mit schwarzen Schrauben ausgestattet, die äußeren drei sind silberne Schrauben. Die Schrauben sind separat in Beuteln verpackt und mit Aufklebern und kleinen Pfeilen auf den Plastikbeuteln gekennzeichnet.



	Artikel	Beschreibung
1	Name	Mehrzweckwagen
2	Modell	JY-BS
3	Parameter	Tragfähigkeit : 550 Pfund, Anzahl der Lagen : 2, Palettengrößen (L x B x H x Innenmaß) : 810 x 450 x 100 x 80 mm
4	Paketgröße	805x445x220mm
5	GW	15,5 kg

**Hersteller:** Shanghaimuxinmuyeyouxiangongsi

**Adresse:** Shuangchenglu 803nong11hao1602A-1609shi, baoshanqu,  
Shanghai 200000 CN.

**Nach AUS importiert:** SIHAO PTY LTD, 1 ROKEVA STREETEASTWOOD  
NSW 2122 Australien

**Importiert in die USA:** Sanven Technology Ltd., Suite 250, 9166 Anaheim  
Place, Rancho Cucamonga, CA 91730



<b>EC</b>	<b>REP</b>
-----------	------------

E-CrossStu GmbH  
Mainzer Landstr.69, 60329 Frankfurt am Main.

<b>UK</b>	<b>REP</b>
-----------	------------

YH CONSULTING LIMITED.  
C/O YH Consulting Limited Office 147, Centurion House,  
London Road, Staines-upon-Thames, Surrey, TW18 4AX

**VEVOR<sup>®</sup>**

**TOUGH TOOLS, HALF PRICE**

**Technisch Support und E-Garantie-Zertifikat**

**[www.vevor.com/support](http://www.vevor.com/support)**

# **VEVOR<sup>®</sup>**

**TOUGH TOOLS, HALF PRICE**

Tecnico Supporto e certificato di garanzia elettronica

[www.vevor.com/support](http://www.vevor.com/support)

## **CARRELLI DI SERVIZIO MANUALE D'USO**

### **MODELLO: JY-BS**

We continue to be committed to provide you tools with competitive price.

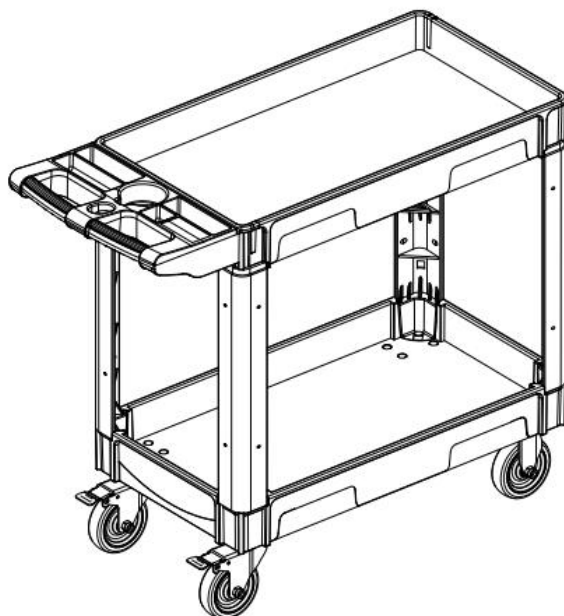
"Save Half", "Half Price" or any other similar expressions used by us only represents an estimate of savings you might benefit from buying certain tools with us compared to the major top brands and does not necessarily mean to cover all categories of tools offered by us. You are kindly reminded to verify carefully when you are placing an order with us if you are actually saving half in comparison with the top major brands.

# VEVOR<sup>®</sup>

TOUGH TOOLS, HALF PRICE

## UTILITY CARTS

MODELLO: JY-B S



### NEED HELP? CONTACT US!

Have product questions? Need technical support? Please feel free to contact us:

**Technical Support and E-Warranty Certificate**  
**[www.vevor.com/support](http://www.vevor.com/support)**

This is the original instruction, please read all manual instructions carefully before operating. VEVOR reserves a clear interpretation of our user manual. The appearance of the product shall be subject to the product you received. Please forgive us that we won't inform you again if there are any technology or software updates on our product.

## SAFETY INSTRUCTION AND PRECAUTIONS



### **AVVERTIMENTO:**

Leggere questo materiale prima di utilizzare questo prodotto. La mancata osservanza di questa norma può causare gravi lesioni. **CONSERVARE QUESTO MANUALE**

### **Precauzioni di montaggio**

1. Assemblare solo secondo queste istruzioni. Un assemblaggio improprio può creare pericoli.
2. Durante il montaggio, indossare occhiali di sicurezza omologati ANSI e guanti da lavoro resistenti.
3. Mantenere l'area di assemblaggio pulita e ben illuminata.
4. Tenere gli astanti fuori dall'area durante l'assemblaggio.
5. Non riunirsi quando si è stanchi o sotto l'effetto di alcol, droghe o farmaci.
6. La capacità di peso e le altre caratteristiche del prodotto si applicano solo al prodotto correttamente e completamente assemblato.
7. Montare su una superficie piana, livellata, dura e liscia, in grado di sostenere in sicurezza carrelli di servizio completamente carichi.

### **Usare precauzioni**

### **PER PREVENIRE LESIONI GRAVI E MORTALI DOVUTE AL RIBALTAMENTO:**

1. **NON SEDERSI, STARE IN PIEDI O ARRAMPICARSI SU QUESTO OGGETTO.**
2. Questo prodotto non è un giocattolo. Non permettere ai bambini di giocare con o vicino a questo articolo.
3. Non superare le capacità di peso, distribuite uniformemente dal basso verso l'alto. Siate consapevoli del carico dinamico! Un movimento improvviso del carico può creare brevemente un carico eccessivo, causando il guasto del prodotto.
4. Utilizzare solo su una superficie piana, livellata, dura e liscia, in grado di sostenere in modo sicuro carrelli di servizio completamente carichi.

5. Non sollevare oggetti carichi.
6. Per evitare il ribaltamento, spingere/tirare utilizzando solo la maniglia in dotazione.
7. Utilizzare solo come previsto.
8. Ispezionare prima di ogni utilizzo; non utilizzare se alcune parti sono allentate o danneggiate.

## TOOL REQUIRED FOR INSTALLATION

Cacciavite a croce e martello di gomma

Nota: il cacciavite a croce e gli utensili per la punta in gomma non sono inclusi in questo prodotto.

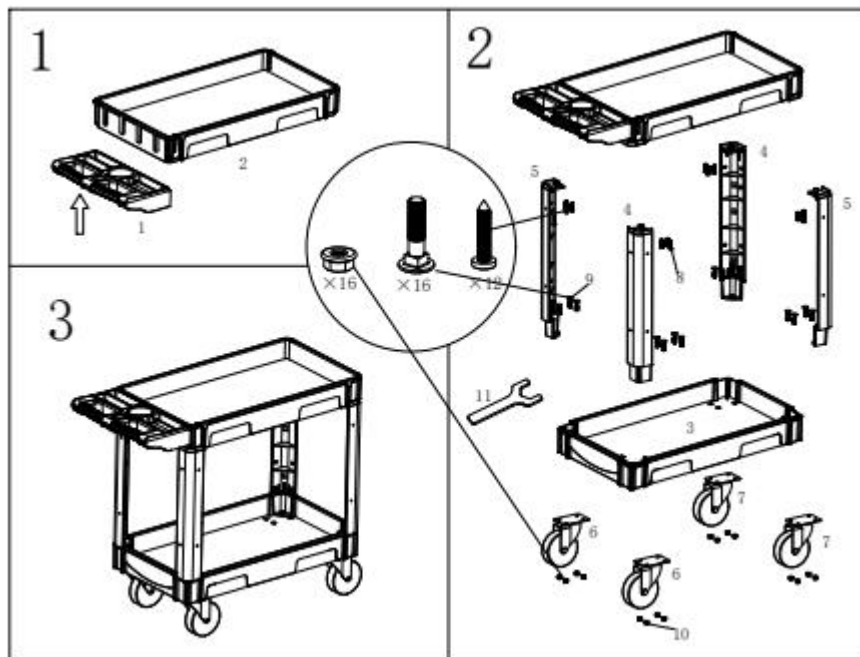
## PARTS LIST

<b>Ripartizione delle parti</b>		
Indice n.	Descrizione	Quantità
1	Maniglia	1
2	Piattaforma superiore	1
3	Piattaforma inferiore	1
4	gamba sinistra	2
5	Gamba destra	2
6	Gruppo ruota freno $\Phi$ 5 in	2
7	Gruppo ruote fisse $\Phi$ 5 in	2
8	Vite autofilettante M6*24mm	12
9	Vite bullone M8*33mm	16
10	Dado esagonale M8	16
11	Chiave	1

## ASSEMBLY

Utilizzare il martello per picchiettare i componenti e assicurarsi che siano posizionati correttamente prima di fissarli con le viti.

1. Il pin dello strato superiore della scheda è bloccato nello slot della scheda (#1)
2. Girare la piattaforma superiore in posizione verticale (#2) e installare la maniglia (#1)
3. Capovolgere il gruppo della piattaforma superiore e installare le gambe (due a sinistra e due a destra, #4 e #5)
4. installare la piattaforma inferiore (#3) e le rotelle (#6 #7) Serrare tutte le viti e i dadi esagonali. (#8, #9, #10) La parte interna della colonna di installazione è dotata di viti nere e le tre esterne sono viti argentate. Le viti sono confezionate separatamente in sacchetti ed etichettate con adesivi e piccole frecce sui sacchetti di plastica.



	Elementi	Descrizione
1	Nome	Carrelli di servizio
2	Modello	JY-BS
3	Parametro	Portata : 550 libbre, numero di strati : 2, dimensioni pallet (L x P x A x ID) : 810 x 450 x 100 x 80 mm
4	Dimensioni del pacco	Dimensioni: 805x445x220mm
5	GW	15,5 kg



**Produttore:** Shanghaimuxinmuyeyouxiangongsi

**Indirizzo:** Shuangchenglu 803nong11hao1602A-1609shi, baoshanqu, shanghai 200000 CN.

**Importato in AUS:** SIHAO PTY LTD, 1 ROKEVA STREETEASTWOOD NSW 2122 Australia

**Importato negli USA:** Sanven Technology Ltd., Suite 250, 9166 Anaheim Place, Rancho Cucamonga, CA 91730

<b>EC</b>	<b>REP</b>
-----------	------------

E-CrossStu GmbH  
Mainzer Landstr.69, 60329 Frankfurt am Main.

<b>UK</b>	<b>REP</b>
-----------	------------

YH CONSULTING LIMITED.  
C/O YH Consulting Limited Office 147, Centurion House,  
London Road, Staines-upon-Thames, Surrey, TW18 4AX

**VEVOR<sup>®</sup>**

**TOUGH TOOLS, HALF PRICE**

**Tecnico Supporto e certificato di garanzia elettronica**

**[www.vevor.com/support](http://www.vevor.com/support)**

# **VEVOR<sup>®</sup>**

**TOUGH TOOLS, HALF PRICE**

Técnico Certificado de soporte y garantía electrónica

[www.vevor.com/support](http://www.vevor.com/support)

## **CARRITOS UTILITARIOS MANUAL DEL USUARIO**

**MODELO: JY-BS**

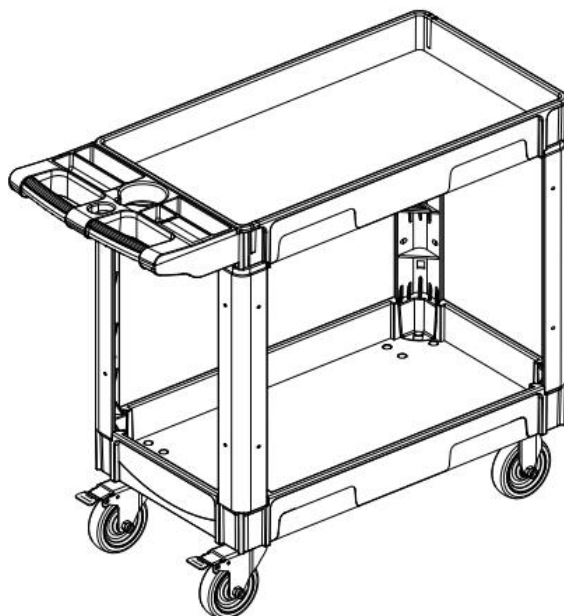
We continue to be committed to provide you tools with competitive price. "Save Half", "Half Price" or any other similar expressions used by us only represents an estimate of savings you might benefit from buying certain tools with us compared to the major top brands and does not necessarily mean to cover all categories of tools offered by us. You are kindly reminded to verify carefully when you are placing an order with us if you are actually saving half in comparison with the top major brands.

# VEVOR<sup>®</sup>

TOUGH TOOLS, HALF PRICE

## UTILITY CARTS

MODELO: JY-B S



### NEED HELP? CONTACT US!

Have product questions? Need technical support? Please feel free to contact us:

**Technical Support and E-Warranty Certificate**  
**[www.vevor.com/support](http://www.vevor.com/support)**

This is the original instruction, please read all manual instructions carefully before operating. VEVOR reserves a clear interpretation of our user manual. The appearance of the product shall be subject to the product you received. Please forgive us that we won't inform you again if there are any technology or software updates on our product.

## SAFETY INSTRUCTION AND PRECAUTIONS



### **ADVERTENCIA:**

Lea este material antes de utilizar este producto. No hacerlo puede provocar lesiones graves. **GUARDE ESTE MANUAL**

### **Precauciones de montaje**

1. Realice el montaje únicamente de acuerdo con estas instrucciones. Un montaje inadecuado puede generar peligros.
2. Use gafas de seguridad aprobadas por ANSI y guantes de trabajo resistentes durante el montaje.
3. Mantenga el área de reunión limpia y bien iluminada.
4. Mantenga a los transeúntes fuera del área durante el montaje.
5. No realizar el montaje cuando se encuentre cansado o bajo la influencia de alcohol, drogas o medicamentos.
6. La capacidad de peso y otras capacidades del producto se aplican únicamente a productos ensamblados de forma correcta y completa.
7. Montar sobre una superficie plana, nivelada, dura y lisa capaz de soportar de forma segura un carro utilitario completamente cargado.

### **Tome precauciones**

### **PARA EVITAR LESIONES GRAVES Y LA MUERTE POR VUELCO:**

1. NO SE SIENTA, SE PARE NI SE SUBA SOBRE ESTE ARTÍCULO.
2. Este producto no es un juguete. No permita que los niños jueguen con este artículo ni cerca de él.
3. No exceda las capacidades de peso, distribuidas uniformemente de abajo hacia arriba. ¡Tenga cuidado con la carga dinámica! El movimiento repentino de la carga puede generar brevemente un exceso de carga y provocar fallas en el producto.
4. Úselo únicamente sobre una superficie plana, nivelada, dura y lisa capaz de soportar de forma segura un carro utilitario completamente cargado.
5. No levante mientras esté cargado.
6. Para evitar que se vuelque, empuje o tire utilizando únicamente el

mango suministrado.

7. Utilícelo únicamente según lo previsto.

8. Inspeccione antes de cada uso; no utilice si las piezas están sueltas o dañadas.

## TOOL REQUIRED FOR INSTALLATION

Destornillador Phillips y mazo de goma

Nota: El destornillador Phillips y las herramientas de punta de goma no están incluidas con este producto.

## PARTS LIST

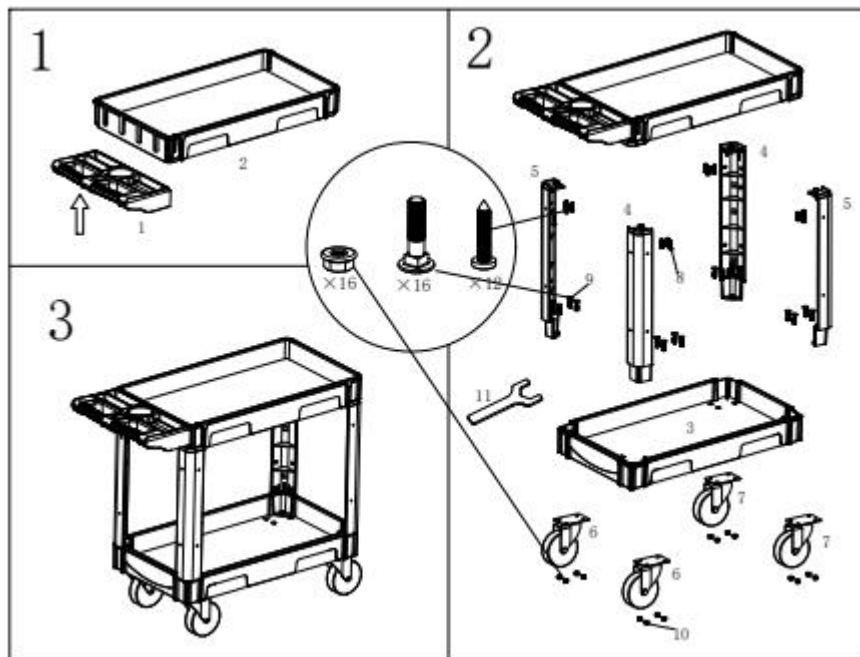
Desglose de piezas		
Índice No.	Descripción	Cantidad
1	Manejar	1
2	Plataforma superior	1
3	Plataforma inferior	1
4	Pierna izquierda	2
5	Pierna derecha	2
6	Conjunto de ruedas de freno $\Phi$ 5 in	2
7	Conjunto de ruedas fijas $\Phi$ 5 in	2
8	Tornillo de rosca M6*24 mm	12
9	Tornillo de fijación M8*33 mm	16
10	Tuerca hexagonal M8	16
11	Llave inglesa	1

## ASSEMBLY

Utilice el mazo para golpear las piezas y asegurarse de que estén colocadas correctamente antes de fijarlas con tornillos.

1. El pin de la capa superior de la placa está atascado en la ranura de la tarjeta (n.º 1)
2. Gire la plataforma superior en posición vertical (#2) e instale la manija (#1)
3. Gire el conjunto de la plataforma superior boca abajo e instale las patas (dos izquierdas y dos derechas, n.º 4 y n.º 5).
4. Instale la plataforma inferior (n.º 3) y las ruedas (n.º 6, n.º 7). Apriete todos los tornillos y las tuercas hexagonales (n.º 8, n.º 9, n.º 10). La parte interior de la columna de instalación está equipada con tornillos negros y los tres tornillos exteriores son plateados. Los tornillos se envasan por separado en bolsas y están etiquetados con pegatinas y pequeñas flechas en las bolsas de plástico.





	Elementos	Descripción
1	Nombre	Carritos utilitarios
2	Modelo	JY-BS
3	Parámetro	Capacidad de carga : 550 lb, Número de capas : 2, Tamaños de paletas (LxAnxAlxDiámetro interior) : 810x450x100x80 mm
4	Tamaño del paquete	805x445x220mm
5	GW	15,5 kg

**Fabricante:** Shanghaimuxinmuyeyouxiangongsi

**Dirección:** Shuangchenglu 803nong11hao1602A-1609shi, baoshanqu, shanghai 200000 CN.

**Importado a AUS:** SIHAO PTY LTD, 1 ROKEVA STREETEASTWOOD NSW 2122 Australia

**Importado a EE. UU.:** Sanven Technology Ltd., Suite 250, 9166 Anaheim Place, Rancho Cucamonga, CA 91730

<b>EC</b>	<b>REP</b>
-----------	------------

E-CrossStu GmbH  
Mainzer Landstr.69, 60329 Frankfurt am Main.

<b>UK</b>	<b>REP</b>
-----------	------------

YH CONSULTING LIMITED.  
C/O YH Consulting Limited Office 147, Centurion House,  
London Road, Staines-upon-Thames, Surrey, TW18 4AX

**VEVOR<sup>®</sup>**

**TOUGH TOOLS, HALF PRICE**

**Técnico Certificado de soporte y garantía electrónica**

**[www.vevor.com/support](http://www.vevor.com/support)**

# **VEVOR<sup>®</sup>**

## **TOUGH TOOLS, HALF PRICE**

Techniczny Wsparcie i certyfikat e-gwarancji

[www.vevor.com/support](http://www.vevor.com/support)

## **WÓZKI UŻYTKOWE INSTRUKCJA OBSŁUGI**

### **MODEL: JY-BS**

We continue to be committed to provide you tools with competitive price.

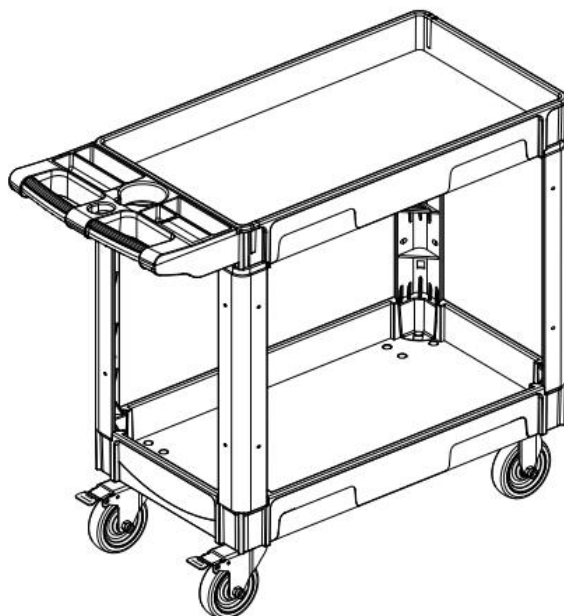
"Save Half", "Half Price" or any other similar expressions used by us only represents an estimate of savings you might benefit from buying certain tools with us compared to the major top brands and does not necessarily mean to cover all categories of tools offered by us. You are kindly reminded to verify carefully when you are placing an order with us if you are actually saving half in comparison with the top major brands.

# VEVOR<sup>®</sup>

TOUGH TOOLS, HALF PRICE

## UTILITY CARTS

MODEL: JY-B S



### NEED HELP? CONTACT US!

Have product questions? Need technical support? Please feel free to contact us:

**Technical Support and E-Warranty Certificate**  
**[www.vevor.com/support](http://www.vevor.com/support)**

This is the original instruction, please read all manual instructions carefully before operating. VEVOR reserves a clear interpretation of our user manual. The appearance of the product shall be subject to the product you received. Please forgive us that we won't inform you again if there are any technology or software updates on our product.

## SAFETY INSTRUCTION AND PRECAUTIONS



### **OSTRZEŻENIE:**

Przeczytaj ten materiał przed użyciem tego produktu. Nieprzestrzeganie tego może spowodować poważne obrażenia. **ZACHOWAJ TĘ INSTRUKCJĘ**

### **Środki ostrożności podczas montażu**

1. Montaż należy wykonywać wyłącznie zgodnie z niniejszą instrukcją. Nieprawidłowy montaż może stwarzać zagrożenia.
2. Podczas montażu należy nosić okulary ochronne z atestem ANSI oraz wytrzymałe rękawice robocze.
3. Utrzymuj miejsce zgromadzenia w czystości i zapewnij dobre oświetlenie.
4. Podczas montażu nie dopuszczać osób postronnych na teren montażu.
5. Nie przychodź na spotkania, jeśli jesteś zmęczony lub pod wpływem alkoholu, narkotyków lub leków.
6. Podane parametry dotyczące nośności i innych parametrów produktu odnoszą się wyłącznie do produktu prawidłowo i kompletnie zmontowanego.
7. Montaż należy wykonać na płaskiej, równej, twardej i gładkiej powierzchni, która będzie w stanie bezpiecznie utrzymać w pełni załadowany wózek narzędziowy.

### **Stosuj środki ostrożności**

### **ABY ZAPOBIEC POWAŻNYM OBRAŻENIOM I ŚMIERCI SPOWODOWANEJ PRZEWRÓCENIEM:**

1. **NIE SIADAJ, NIE STÓJ ANI NIE WSPINAJ SIĘ NA TYM PRZEDMIOCIE.**
2. Ten produkt nie jest zabawką. Nie pozwalaj dzieciom bawić się tym przedmiotem ani przebywać w jego pobliżu.
3. Nie przekraczaj nośności, równomiernie rozłożonej od dołu do góry. Uważaj na obciążenie dynamiczne! Nagły ruch ładunku może na krótko spowodować nadmierne obciążenie, powodując awarię produktu.

4. Używać wyłącznie na płaskiej, równej, twardej i gładkiej powierzchni, która może bezpiecznie utrzymać w pełni załadowany wózek narzędziowy.
5. Nie podnoś, gdy jesteś obciążony.
6. Aby zapobiec przewróceniu, należy pchać/ciągnąć wyłącznie za dołączony uchwyt.
7. Używać wyłącznie zgodnie z przeznaczeniem.
8. Przed każdym użyciem sprawdź produkt; nie używaj go, jeśli jakies części są luźne lub uszkodzone.

## TOOL REQUIRED FOR INSTALLATION

Śrubokręt krzyżakowy i gumowy młotek

Uwaga: Wkrętak krzyżakowy i gumowy młotek nie są dołączone do tego produktu.

## PARTS LIST

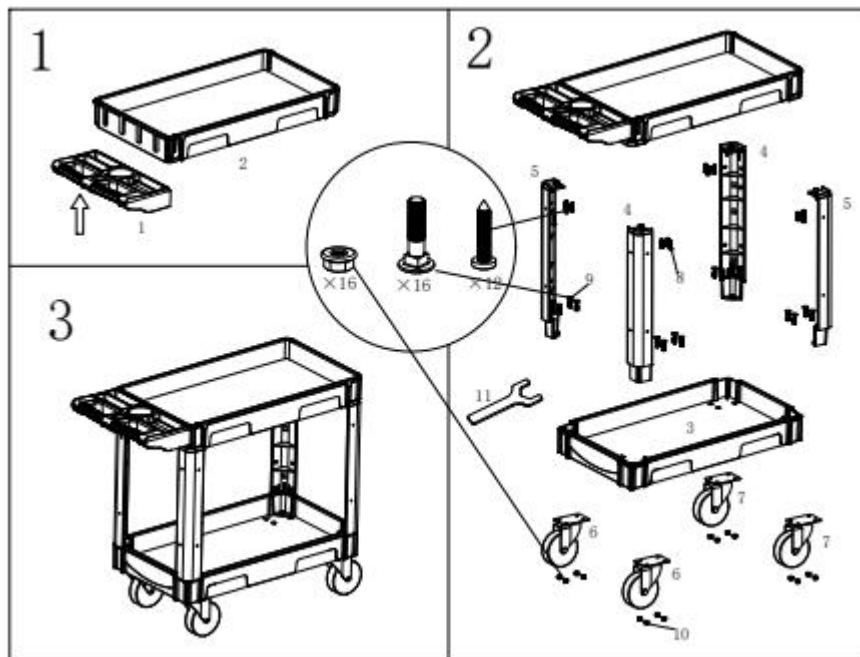
Podział części		
Numer indeksu	Opis	Ilość
1	Uchwyt	1
2	Platforma górna	1
3	Dolna platforma	1
4	lewa noga	2
5	Prawa noga	2
6	Zestaw kólek hamulcowych $\Phi$ 5 cali	2
7	Stały zestaw kólek $\Phi$ 5 cali	2
8	Wkręt samogwintujący M6*24mm	12
9	Śruba M8*33mm	16
10	Nakrętka sześciokątna M8	16
11	Klucz	1



## ASSEMBLY

Przed przykręceniem śrub należy dobić części młotkiem, aby upewnić się, że są prawidłowo osadzone.

1. Górny pin warstwy płytki jest zablokowany w gnieździe karty (#1)
2. Obróć górną platformę do góry (#2) i zamontuj uchwyt (#1)
3. Odwróć górną platformę do góry nogami i zamontuj nogi (dwie lewe i dwie prawe, nr 4 i nr 5)
4. zainstaluj dolną platformę (#3) i kółka (#6 #7) Dokręć wszystkie śruby i nakrętki sześciokątne. (#8, #9, #10) Wewnętrzna część kolumny instalacyjnej jest wyposażona w czarne śruby, a trzy zewnętrzne są srebrnymi śrubami. Śruby są pakowane oddzielnie w workach i oznaczone naklejkami i małymi strzałkami na plastikowych workach.



	Rzeczy	Opis
1	Nazwa	Wózki użytkowe
2	Model	JY-BS
3	Parametr	Nośność : 550 funtów, liczba warstw : 2, wymiary palety (dł. x szer. x wys. x śr. wew.) : 810 x 450 x 100 x 80 mm
4	Rozmiar opakowania	805x445x220mm
5	GW	15,5 kg

**Producent:** Shanghaimuxinmuyeyouxiangongsi

**Adres:** Shuangchenglu 803nong11hao1602A-1609shi, baoshanqu, szanghaj  
200000 CN.

**Importowane do AUS:** SIHAO PTY LTD, 1 ROKEVA STREETEASTWOOD  
NSW 2122 Australia

**Importowane do USA:** Sanven Technology Ltd., Suite 250, 9166 Anaheim  
Place, Rancho Cucamonga, CA 91730

<b>EC</b>	<b>REP</b>
-----------	------------

E-CrossStu GmbH  
Mainzer Landstr.69, 60329 Frankfurt am Main.

<b>UK</b>	<b>REP</b>
-----------	------------

YH CONSULTING LIMITED.  
C/O YH Consulting Limited Office 147, Centurion House,  
London Road, Staines-upon-Thames, Surrey, TW18 4AX

**VEVOR<sup>®</sup>**

**TOUGH TOOLS, HALF PRICE**

**Techniczny Wsparcie i certyfikat e-gwarancji**

**[www.vevor.com/support](http://www.vevor.com/support)**

# **VEVOR<sup>®</sup>**

**TOUGH TOOLS, HALF PRICE**

Technisch Ondersteuning en E-garantiecertificaat

[www.vevor.com/support](http://www.vevor.com/support)

## **GEREEDSCHAPSWAGENS GEBRUIKERSHANDLEIDING**

**MODEL: JY-BS**

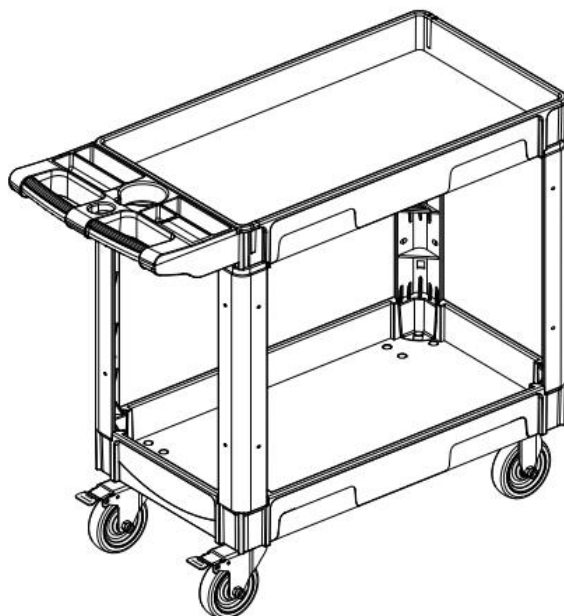
We continue to be committed to provide you tools with competitive price. "Save Half", "Half Price" or any other similar expressions used by us only represents an estimate of savings you might benefit from buying certain tools with us compared to the major top brands and does not necessarily mean to cover all categories of tools offered by us. You are kindly reminded to verify carefully when you are placing an order with us if you are actually saving half in comparison with the top major brands.

# VEVOR<sup>®</sup>

TOUGH TOOLS, HALF PRICE

## UTILITY CARTS

MODEL: JY-B S



### NEED HELP? CONTACT US!

Have product questions? Need technical support? Please feel free to contact us:

**Technical Support and E-Warranty Certificate**  
**[www.vevor.com/support](http://www.vevor.com/support)**

This is the original instruction, please read all manual instructions carefully before operating. VEVOR reserves a clear interpretation of our user manual. The appearance of the product shall be subject to the product you received. Please forgive us that we won't inform you again if there are any technology or software updates on our product.

## SAFETY INSTRUCTION AND PRECAUTIONS



### **WAARSCHUWING:**

Lees dit materiaal voordat u dit product gebruikt. Als u dit niet doet, kan dit leiden tot ernstig letsel. **BEWAAR DEZE HANDLEIDING**

### **Voorzorgsmaatregelen bij de montage**

1. Monteer alleen volgens deze instructies. Onjuiste montage kan gevaren opleveren.
2. Draag tijdens de montage een ANSI-goedgekeurde veiligheidsbril en stevige werkhandschoenen.
3. Zorg ervoor dat de montageplek schoon en goed verlicht is.
4. Houd omstanders uit de buurt tijdens de montage.
5. Ga niet in de winkel staan als u moe bent of onder invloed van alcohol, drugs of medicijnen.
6. Het draagvermogen en andere producteigenschappen gelden alleen voor een correct en volledig gemonteerd product.
7. Monteer het geheel op een vlak, egaal, hard en glad oppervlak dat een volledig beladen wagen veilig kan dragen.

### **Neem voorzorgsmaatregelen**

### **OM ERNSTIG LETSEL EN DE DOOD DOOR KANTELEN TE VOORKOMEN:**

1. NIET OP DIT ITEM ZITTEN, STAAN OF KLIMMEN.
2. Dit product is geen speelgoed. Laat kinderen niet met of in de buurt van dit item spelen.
3. Overschrijd de gewichtscapaciteit niet, gelijkmatig verdeeld van onder naar boven. Wees u bewust van dynamische belasting! Plotselinge belastingbewegingen kunnen kortstondig overmatige belasting veroorzaken, wat kan leiden tot productfalen.
4. Gebruik het apparaat alleen op een vlak, egaal, hard en glad oppervlak dat een volledig beladen wagen veilig kan dragen.
5. Til niet terwijl het geladen is.
6. Om kantelen te voorkomen, duwt of trekt u alleen met behulp van de



meegeleverde handgreep.

7. Gebruik het product alleen zoals bedoeld.

8. Controleer het apparaat voor elk gebruik. Gebruik het apparaat niet als er onderdelen loszitten of beschadigd zijn.

## TOOL REQUIRED FOR INSTALLATION

Kruiskopschroevendraaier en rubberen hamer

Let op: De kruiskopschroevendraaier en het rubberen mallengereedschap zijn niet bij dit product inbegrepen.

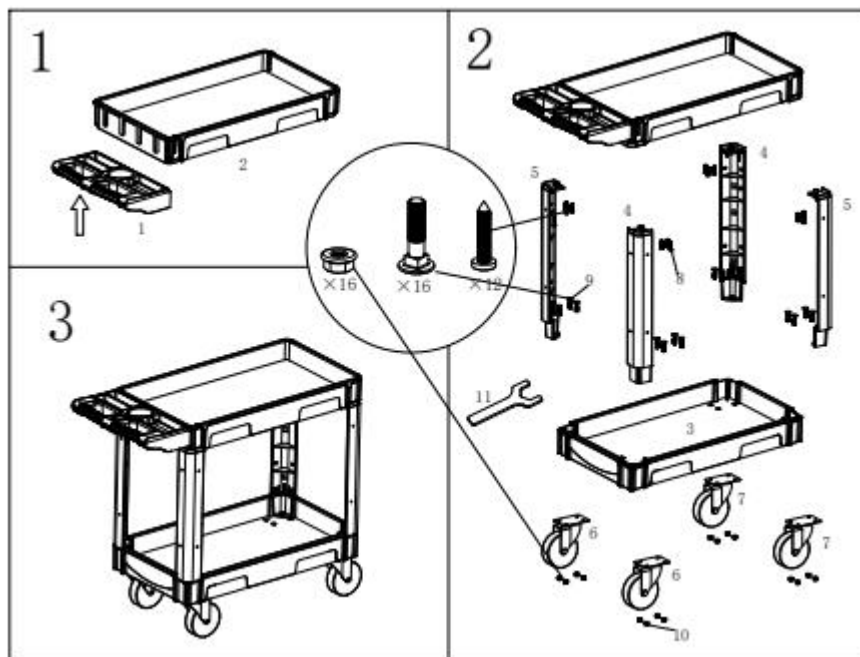
## PARTS LIST

<b>Onderdelenoverzicht</b>		
<b>Indexnr.</b>	<b>Beschrijving</b>	<b>Hoeveelheid</b>
1	Handel	1
2	Bovenste platform	1
3	Onderste platform	1
4	linkerbeen	2
5	Rechterbeen	2
6	Remwielmontage $\Phi$ 5 inch	2
7	Vaste wielmontage $\Phi$ 5 inch	2
8	Tapschroef M6*24mm	12
9	Schroefbout M8*33mm	16
10	Zeskantmoer M8	16
11	Moersleutel	1

## ASSEMBLY

Gebruik de hamer om de onderdelen aan te tikken, zodat u zeker weet dat ze goed vastzitten. Daarna bevestigt u ze met schroeven.

1. De pin van de bovenste printplaatlaag zit vast in de kaartsleuf (#1)
2. Draai het bovenste platform rechtop (#2) en installeer de handgreep (#1)
3. Draai de bovenste platformconstructie ondersteboven en monteer de poten (twee links en twee rechts, #4 en #5)
4. Installeer het onderste platform (#3) en de wielen (#6 #7) Draai alle schroeven en zeskantmoeren vast. (#8, #9, #10) Het binnenste deel van de installatiekolom is voorzien van zwarte schroeven en de buitenste drie zijn zilveren schroeven. De schroeven zijn apart verpakt in zakken en gelabeld met stickers en kleine pijlen op de plastic zakken.



	<b>Ik dingen</b>	<b>Beschrijving</b>
1	Naam	Gereedschapswagens
2	Model	JY-BS
3	Parameter	Draagvermogen : 550 lb, aantal lagen : 2, palletafmetingen (LxBxHxD) : 810x450x100x80mm
4	Pakketgrootte	805x445x220mm
5	GW	15,5 kg

**Fabrikant:** Shanghaimuxinmuyeyouxiangongsi

**Adres:** Shuangchenglu 803nong11hao1602A-1609shi, baoshanqu, shanghai  
200000 CN.

**Geïmporteerd naar AUS:** SIHAO PTY LTD, 1 ROKEVA  
STREETEASTWOOD NSW 2122 Australië

**Geïmporteerd naar de VS:** Sanven Technology Ltd., Suite 250, 9166  
Anaheim Place, Rancho Cucamonga, CA 91730

<b>EC</b>	<b>REP</b>
-----------	------------

E-CrossStu GmbH  
Mainzer Landstr.69, 60329 Frankfurt am Main.

<b>UK</b>	<b>REP</b>
-----------	------------

YH CONSULTING LIMITED.  
C/O YH Consulting Limited Office 147, Centurion House,  
London Road, Staines-upon-Thames, Surrey, TW18 4AX

**VEVOR**<sup>®</sup>

**TOUGH TOOLS, HALF PRICE**

**Technisch Ondersteuning en E-garantiecertificaat**

**[www.vevor.com/support](http://www.vevor.com/support)**

# **VEVOR<sup>®</sup>**

## **TOUGH TOOLS, HALF PRICE**

Teknisk Support och e-garanticertifikat

[www.vevor.com/support](http://www.vevor.com/support)

## **UTILITY VAGNAR ANVÄNDARMANUAL**

### **MODELL: JY-BS**

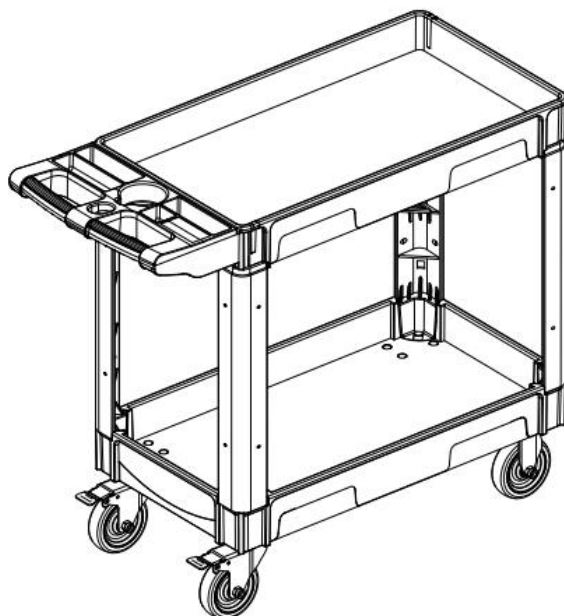
We continue to be committed to provide you tools with competitive price. "Save Half", "Half Price" or any other similar expressions used by us only represents an estimate of savings you might benefit from buying certain tools with us compared to the major top brands and does not necessarily mean to cover all categories of tools offered by us. You are kindly reminded to verify carefully when you are placing an order with us if you are actually saving half in comparison with the top major brands.

# VEVOR®

TOUGH TOOLS, HALF PRICE

## UTILITY CARTS

MODELL: JY-B S



### NEED HELP? CONTACT US!

Have product questions? Need technical support? Please feel free to contact us:

**Technical Support and E-Warranty Certificate**  
**[www.vevor.com/support](http://www.vevor.com/support)**

This is the original instruction, please read all manual instructions carefully before operating. VEVOR reserves a clear interpretation of our user manual. The appearance of the product shall be subject to the product you received. Please forgive us that we won't inform you again if there are any technology or software updates on our product.



## SAFETY INSTRUCTION AND PRECAUTIONS



### **VARNING:**

Läs detta material innan du använder denna produkt. Underlåtenhet att göra det kan resultera i allvarliga skador. SPARA DENNA MANUAL

### **Försiktighetsåtgärder vid montering**

1. Montera endast enligt dessa instruktioner. Felaktig montering kan skapa faror.
2. Bär ANSI-godkända skyddsglasögon och kraftiga arbetshandskar vid montering.
3. Håll monteringsområdet rent och väl upplyst.
4. Håll åskådare borta från området under monteringen.
5. Sätt dig inte ihop när du är trött eller påverkad av alkohol, droger eller medicin.
6. Viktkapacitet och andra produktgenskaper gäller endast för korrekt och färdigmonterad produkt.
7. Montera på en plan, jämn, hård och slät yta som säkert kan bära fullastad vagnar.

### **Använd försiktighetsåtgärder**

### **FÖR ATT FÖRHINDRA ALLVARLIGA SKADA OCH DÖDSFALL VID**

### **VÄLLNING:**

1. SIT, STÅ ELLER KLÄTTRA INTE PÅ DETTA FÖREMÅL.
2. Denna produkt är inte en leksak. Låt inte barn leka med eller nära detta föremål.
3. Överskrid inte viktkapaciteten, jämnt fördelad nedifrån och upp. Var uppmärksam på dynamisk laddning! Plötsliga laströrelser kan kortvarigt skapa överbelastning som orsakar produktfel.
4. Använd endast på en plan, jämn, hård och slät yta som säkert kan bära fullastad vagnar.
5. Lyft inte när den är lastad.
6. För att förhindra tippning, tryck/dra endast med det medföljande handtaget.

7. Använd endast på avsett sätt.

8. Inspektera före varje användning; Använd inte om delar är lösa eller skadade.

## TOOL REQUIRED FOR INSTALLATION

Stjärnskruvmejsel och gummiklubba

Obs: Stjärnskruvmejseln och gummiverktygen ingår inte i denna produkt

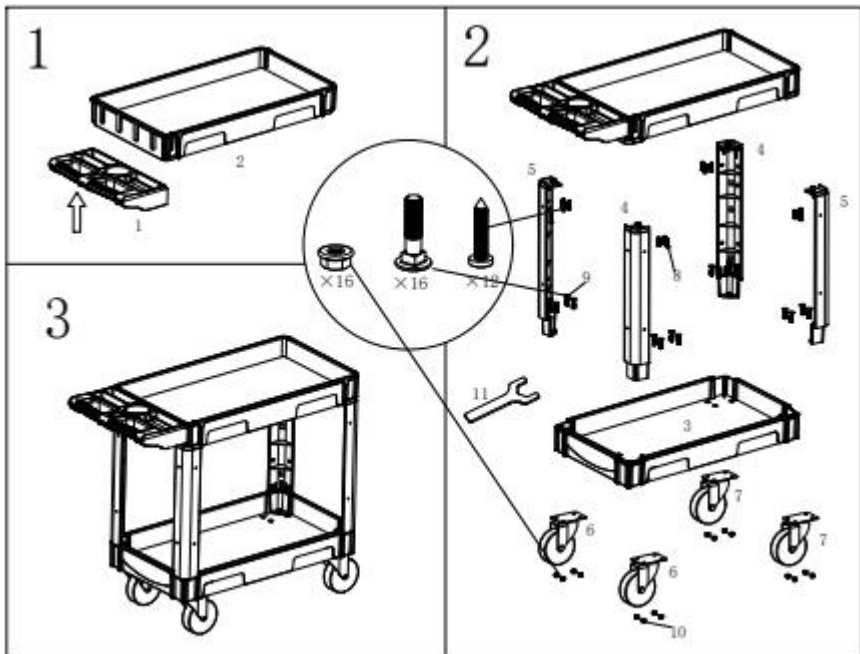
## PARTS LIST

Delar uppdelning		
Index nr.	Beskrivning	Antal
1	Hantera	1
2	Övre plattform	1
3	Nedre plattform	1
4	vänster ben	2
5	Höger ben	2
6	Bromshjulsenhet $\Phi$ 5 tum	2
7	Fast hjulenhet $\Phi$ 5 tum	2
8	Tappskruv M6*24mm	12
9	Skruv Bult M8*33mm	1 6
10	Sexkantsmutter M8	16
11	Rycka	1

## ASSEMBLY

Använd klubban för att knacka ner delarna för att säkerställa att de sitter ordentligt innan du fäster dem med skruvar.

1. Det övre kortets lagerstift har fastnat i kortplatsen (#1)
2. Vrid den övre plattformen upprätt (#2) och installera handtaget (#1)
3. Vänd den övre plattformsenheten upp och ner och installera ben (två vänster och två höger, #4och#5)
4. installera den nedre plattformen (#3) och hjulen (#6 #7) Dra åt alla skruvar och sexkantsmuttrar. (#8, #9, #10) Den inre delen av installationspelaren är utrustad med svarta skruvar och de tre yttre är silverskruvar. Skruvarna är förpackade separat i påsar, och märkta med klistermärken och små pilar på plastpåsar.



	<b>Jag tems</b>	<b>Beskrivning</b>
1	Namn	Utility vagnar
2	Modell	JY-BS
3	Parameter	Bärande : 550lb, Antal lager : 2, Pallstorlekar(LxBxHxD) : 810x450x100x80mm
4	Paketstorlek	805x445x220mm
5	GW	15,5 kg

**Tillverkare:** Shanghaimuxinmuyeyouxiangongsi

**Adress:** Shuangchenglu 803nong11hao1602A-1609shi, baoshanqu, shanghai 200000 CN.

**Importerad till AUS:** SIHAO PTY LTD, 1 ROKEVA STREETEASTWOOD NSW 2122 Australien

**Importerad till USA:** Sanven Technology Ltd., Suite 250, 9166 Anaheim Place, Rancho Cucamonga, CA 91730

<b>EC</b>	<b>REP</b>
-----------	------------

E-CrossStu GmbH  
Mainzer Landstr.69, 60329 Frankfurt am Main.

<b>UK</b>	<b>REP</b>
-----------	------------

YH CONSULTING LIMITED.  
C/O YH Consulting Limited Office 147, Centurion House,  
London Road, Staines-upon-Thames, Surrey, TW18 4AX

**VEVOR**<sup>®</sup>

**TOUGH TOOLS, HALF PRICE**

**Teknisk Support och e-garanticertifikat**

**[www.vevor.com/support](http://www.vevor.com/support)**