

VEVOR[®]

TOUGH TOOLS, HALF PRICE

Technical Support and E-Warranty Certificate www.vevor.com/support

FIRE PIT FLAME GUARD

**MODEL:VV-FPWG-Y-17*6/VV-FPWG-Y-23*8/VV-FPWG-Y-26*6/
VV-FWG-FX1515/VV-FWG-FX248/VV-FWG-FX3810.5**

We continue to be committed to provide you tools with competitive price.

"Save Half", "Half Price" or any other similar expressions used by us only represents an estimate of savings you might benefit from buying certain tools with us compared to the major top brands and does not necessarily mean to cover all categories of tools offered by us. You are kindly reminded to verify carefully when you are placing an order with us if you are actually saving half in comparison with the top major brands.

VEVOR®

TOUGH TOOLS, HALF PRICE

FIRE PIT FLAME GUARD

**MODEL:VV-FPWG-Y-17*6/VV-FPWG-Y-23*8/VV-FPWG-Y-26*6/
VV-FWG-FX1515/VV-FWG-FX248/VV-FWG-FX3810.5**



NEED HELP? CONTACT US!

Have product questions? Need technical support? Please feel free to contact us:

Technical Support and E-Warranty Certificate
www.vevor.com/support

This is the original instruction, please read all manual instructions carefully before operating. VEVOR reserves a clear interpretation of our user manual. The appearance of the product shall be subject to the product you received. Please forgive us that we won't inform you again if there are any technology or software updates on our product.

IMPORTANT SAFEGUARDS



WARNING: Read and understand this entire manual before operating or servicing this product. Failure to follow these warnings and instructions can cause personal injury or damage to valuable property.




- Avoid children using boat trailer guides. And this product is not a toy. Do not allow children to play.
- Keep away from sharp points, blades and other items.
- Assembly precautions.
 1. Assemble only according to these instructions. Improper assembly can create hazards.
 2. Wear ANSI-approved safety goggles and heavy-duty work gloves during assembly.
 3. Keep assembly area clean and well-lit.
 4. Keep bystanders out of the area during assembly.
 5. Do not assemble when tired or when under the influence of alcohol, drugs or medication.
 6. Product capabilities apply to properly and completely assembled product only.
 7. For additional information regarding the parts listed in the following pages, please refer to the Assembly Diagram of this manual. Unwrap and separate all parts in a clean work area. Please keep small spare parts out of children's reach.

SAVE THESE INSTRUCTIONS

PRODUCT INTRODUCTION




- Tempered glass wind guard fence is made of tempered heat resistant glass. Aluminum linking clips offer firm connection and steady support.
- Fit around your fire table and assist to block breeze to compromise your fire and enjoy a steady flame! A must-have fire pit supply to blend in your patio and garden.

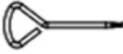
PRODUCT PAREMETERS

| Model | Shape | Dimensions LxWxH(mm) | board thickness (mm) | Picture |
|---------------------|---------------|-------------------------|----------------------------|--|
| VV-FPWG-Y-17*6 | round | 435*435*170 | 6 |  |
| VV-FPWG-Y-23*8 | | 590*590*215 | | |
| VV-FPWG-Y-26*6 | | 660*665*165 | | |
| VV-FWG-FX1515 | square | 380*380*180 | 8 |  |
| VV-FWG-FX248 | rectang le | 595*190*165 | 8 |  |
| VV-FWG-FX3810. 5 | | 965*270*150 | | |




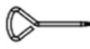
PACKAGE INCLUDE

Model:VV-FPWG-Y-17*6/VV-FPWG-Y-23*8/VV-FPWG-Y-26*6





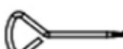
| NO. | PIC | DESC | QTY |
|-----|---|---------------------|-------|
| A |  | Glass Panel | 4 pcs |
| B |  | Glass Top Holder | 4 pcs |
| C |  | Glass Bottom Holder | 4 pcs |

| | | | |
|---|---|-------------|-------|
| D |  | Screwdriver | 1 pcs |
|---|---|-------------|-------|

Model:VV-FWG-FX1515

| NO. | PIC | DESC | QTY |
|-----|---|---------------------|-------|
| A |  | Glass Panel | 4 pcs |
| B |  | Glass Top Holder | 4 pcs |
| C |  | Glass Bottom Holder | 4 pcs |
| D |  | Screwdriver | 1 pcs |

Model:VV-FWG-FX248/VV-FWG-FX3810.5

| NO. | PIC | DESC | QTY |
|-----|---|---------------------|-------|
| A |  | Long Glass Panel | 2 pcs |
| B |  | Short Glass Panel | 2 pcs |
| C |  | Glass Top Holder | 4 pcs |
| D |  | Glass Bottom Holder | 4 pcs |
| E |  | Screwdriver | 1 pcs |

ASSEMBLY INSTRUCTIONS

Thanks for purchasing this quality product. Be sure to check all packing materials carefully for small parts, which may have come loose inside the carton during shipment. Identify and count all parts and compare with the Hardware List above.

Easy to install, with several pieces of glass and corresponding fasteners

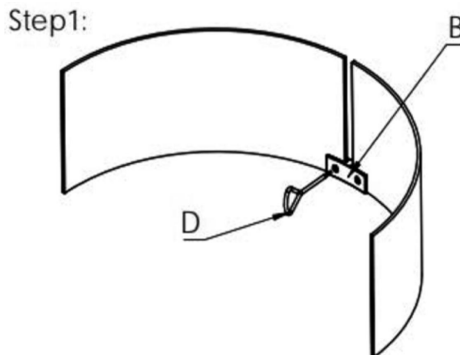
Please keep the glass inserted into the firmware at the correct angle

Properly tighten the screw to the glass can not shake can not be too tight to cause damage to the glass

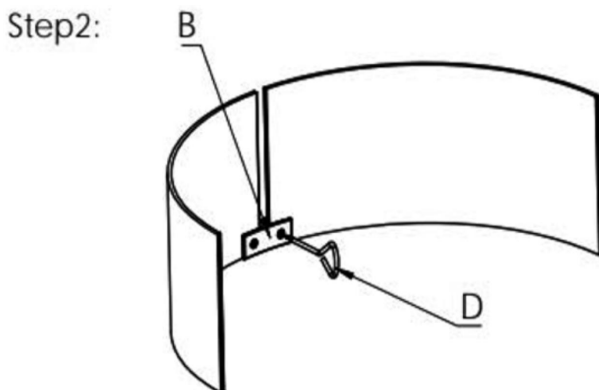
The assembly procedures of the three shape products are similar. Here we take the round one and the rectangular one as an example. You can follow the same steps of the rectangular one to finish the assembly for the square one.

Model:VV-FPWG-Y-17*6/VV-FPWG-Y-23*8/VV-FPWG-Y-26*6

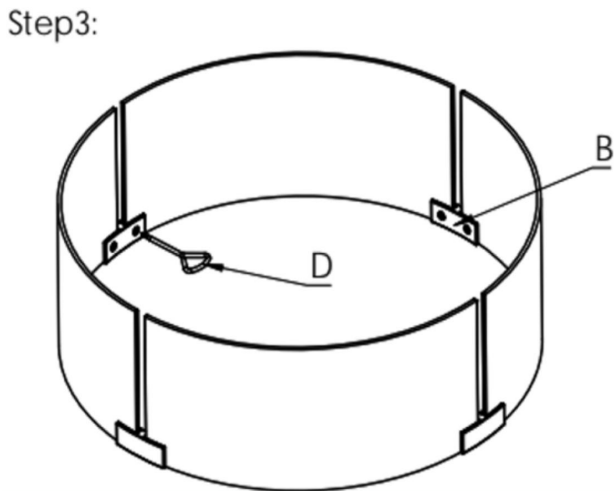
Step 1: Place the glass panels(Part A) on a clean and soft surface as a blanket or carpet. Assemble the glass top holder(Part B) to 2 glass panels by bolts and loosely tighten with screwdriver (Part D).



Step 2: Assemble the glass top holder(Part B) to the remaining 2 glass panels by bolts and loosely tighten with screwdriver (Part D).

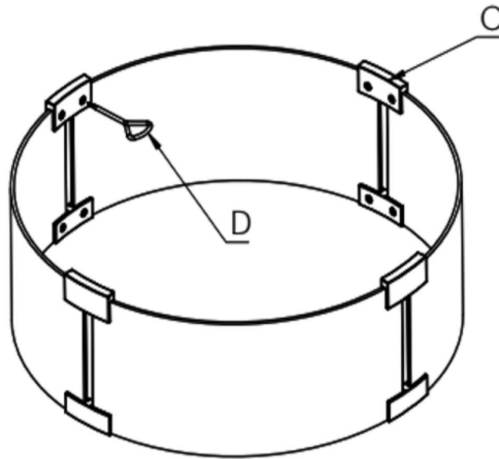


Step 3: Assemble 4 glass panels together by bolts and tighten with screwdriver (Part D).

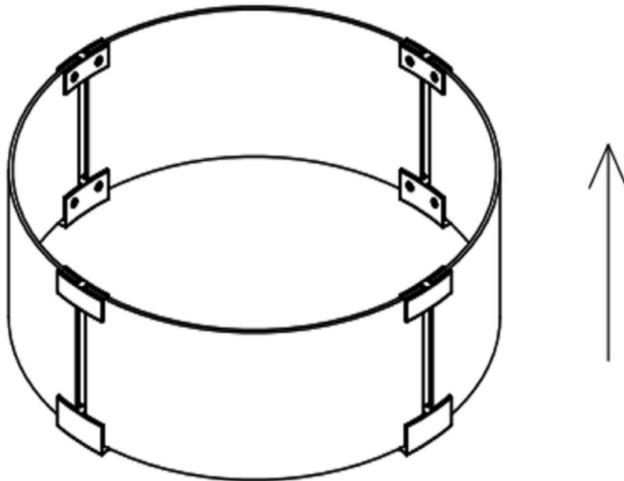


Step 4: Assemble the glass bottom holders(Part C) to the glass panels by bolts and tighten with screwdriver (Part D).

Step4:



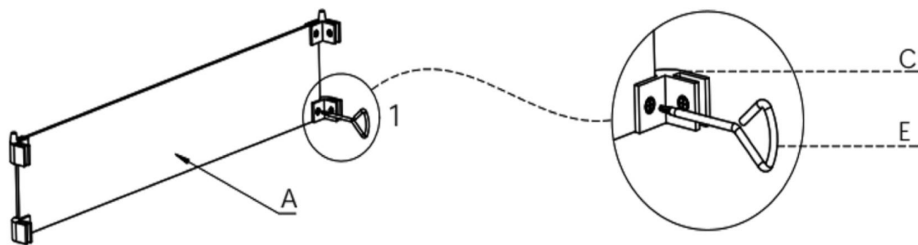
Step 5: After tightening all bolts, your product is ready for use.



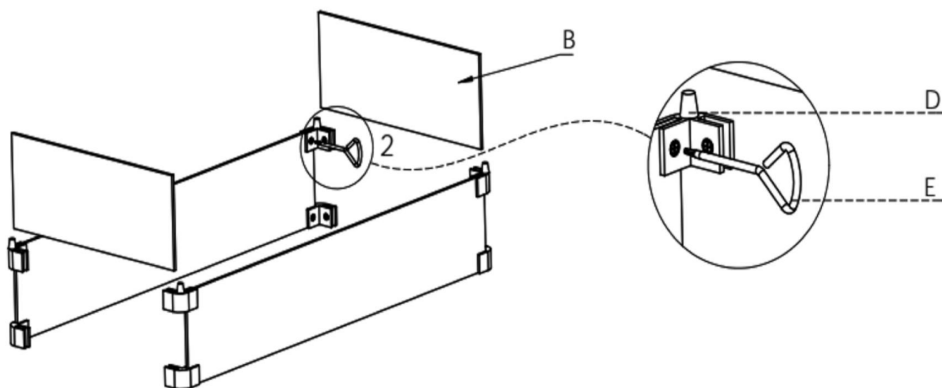
Model:VV-FWG-FX248/VV-FWG-FX3810.5

Step 1: Place the long glass panels(Part A) on a clean and soft surface as a blanket or carpet. Assemble 2 class bottom Holders(Part D)and 2 glass top holders(Part C)to long glass panels(Part A) by bolts and loosely tighten

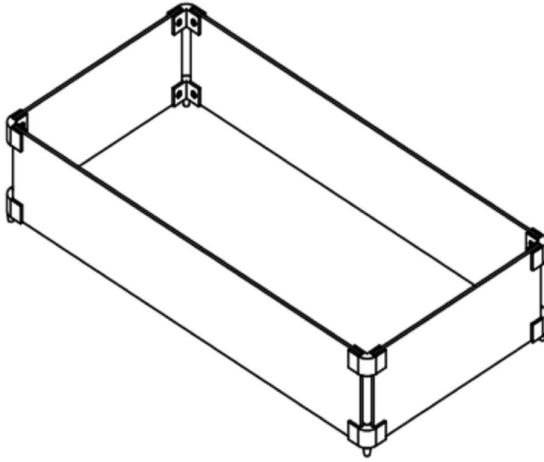
with Screwdriver (Part E).



Step 2: Assemble the short glass panels(Part B) to long glass panels by bolts and tighten with screwdriver (Part E).



Step 3: After tightening all bolts, your product is ready for use.



CARE INSTRUCTIONS

Don't put the Flame Guard on an uneven surface.

Don't cover with flammable materials.

Don't touch during use to prevent burns.

Periodically check and make sure all bolts are fully tightened.

Manufacturer: Shanghaimuxinmuyeyouxiangongsi

Address: Shuangchenglu 803nong11hao1602A-1609shi, baoshanqu, shanghai 200000 CN.

Imported to AUS: SIHAO PTY LTD. 1 ROKEVA STREETEASTWOOD NSW 2122 Australia

Imported to USA: Sanven Technology Ltd. Suite 250, 9166 Anaheim Place, Rancho Cucamonga, CA 91730

| | |
|-----------|------------|
| UK | REP |
|-----------|------------|

YH CONSULTING LIMITED. C/O YH Consulting Limited Office 147, Centurion House, London Road, Staines-upon-Thames, Surrey, TW18 4AX

| | |
|-----------|------------|
| EC | REP |
|-----------|------------|

E-CrossStu GmbH
Mainzer Landstr.69,
60329 Frankfurt am Main.

VEVOR[®]

TOUGH TOOLS, HALF PRICE

Technical Support and E-Warranty Certificate

www.vevor.com/support