

VEVOR[®]

TOUGH TOOLS, HALF PRICE

Technical Support and E-Warranty Certificate

www.vevor.com/support

VOLTAGE SENSITIVE RELAY

MODEL: VSR001

We continue to be committed to provide you tools with competitive price.

"Save Half", "Half Price" or any other similar expressions used by us only represents an estimate of savings you might benefit from buying certain tools with us compared to the major top brands and does not necessarily mean to cover all categories of tools offered by us. You are kindly reminded to verify carefully when you are placing an order with us if you are actually saving half in comparison with the top major brands.

VEVOR[®]

TOUGH TOOLS, HALF PRICE

VOLTAGE SENSITIVE RELAY

MODEL: VSR001






NEED HELP? CONTACT US!

Have product questions? Need technical support? Please feel free to contact us:

Technical Support and E-Warranty Certificate
www.vevor.com/support

This is the original instruction, please read all manual instructions carefully before operating. VEVOR reserves a clear interpretation of our user manual. The appearance of the product shall be subject to the product you received. Please forgive us that we won't inform you again if there are any technology or software updates on our product.

	<p>Warning-To reduce the risk of injury, user must read instructions manual carefully.</p>
	<p>This device complies with Part 15 of the FCC Rules. Operation is subject to the following two conditions:(1)This device may not cause harmful interference, and (2)this device must accept any interference received, including interference that may cause undesired operation.</p>
	<p>This product is subject to the provision of European Directive 2012/19/EC. The symbol showing a wheeled bin crossed through indicates that the product requires separate refuse collection in the European Union. This applies to the product and all accessories marked with this symbol. Products marked as such may not be discarded with normal domestic waste, but must be taken to a collection point for recycling electrical and electronic devices</p>

IMPORTANT NOTES

- Before installation or use, it is imperative that users thoroughly read and comprehend all warning and safety messages provided with the product.
- For optimal safety, it is advisable to install a fuse between the Start Battery and the VSR.
- The VSR incorporates a built-in delay, allowing 3-5 seconds for the connection or disconnection process.
- The VSR is equipped with an integrated red indicator that illuminates when the VSR is engaged, indicating both batteries are connected.
- Individuals under the influence of alcohol or drugs, lacking experience, or Lacking professional knowledge is prohibited from using this unit.
- Avoid using or storing this VSR near heat sources, open flames, or exposure to flammable chemicals, vapors, or corrosive gases.
- Avoid disassembling the charger, as this may not only cause potential harm to you and the unit but also void the warranty.
- Disconnect the charger before engaging in maintenance or cleaning.

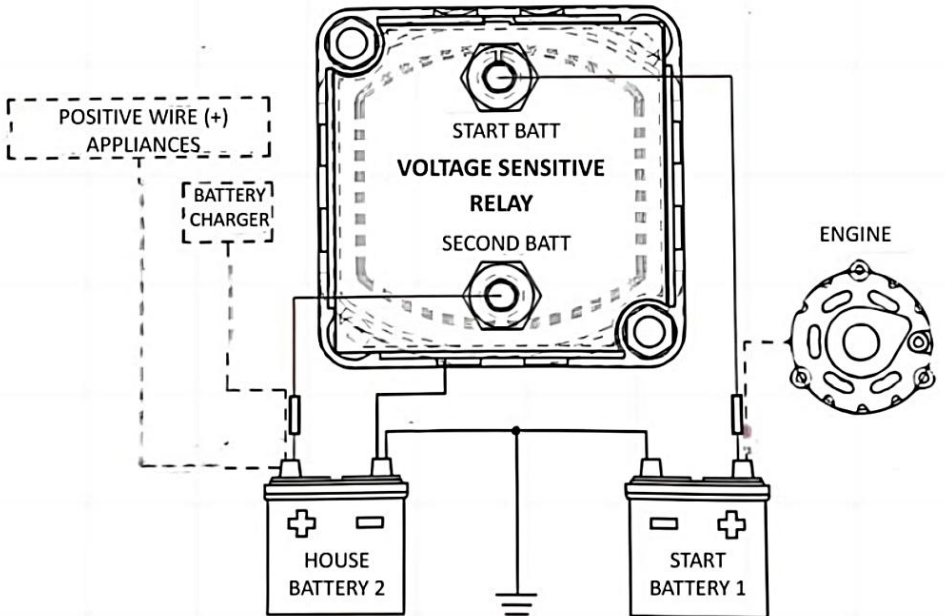
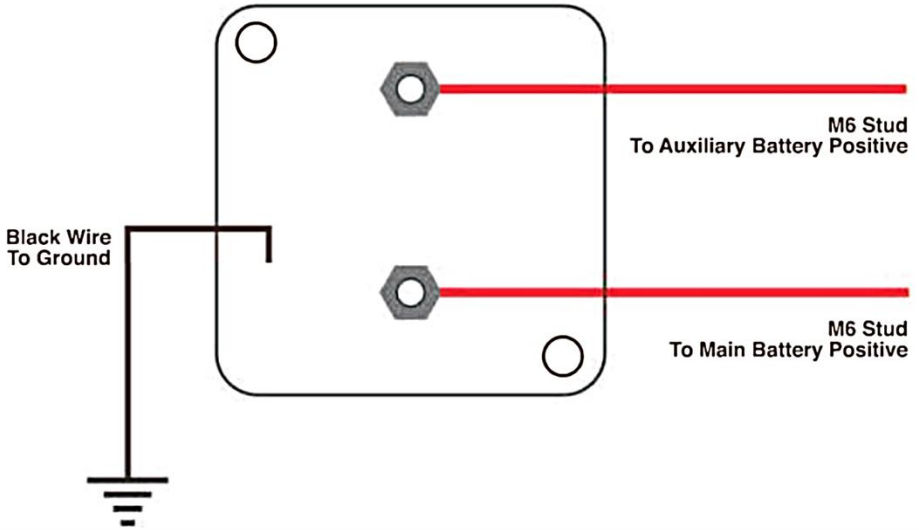
- Wear proper eye protection before initiating the charging process.
- Keep fresh water and soap on hand in case battery acid contacts the eyes in such an event. Cleanse immediately with soap and water for a minimum of 15 minutes and seek medical attention.
- Avoid smoking or having an open spark or fire near this unit.
- Regularly inspect the VSR for any damage. If damaged, avoid using it until repairs have been conducted.

IDENTIFICATION OF PARTS



Working status led

WIRING INSTRUCTIONS



TECHNICAL SPECIFICATIONS

Voltage	12V
Charging Current	90-120Amp Continuous, 140 Amp Max
Current Draw	Charging 330mA
Cut-in Voltage	13.3V
Cut-out Voltage	12.8V
Cut-out Delay	3-5 Seconds
IP Rating	IP67

TROUBLESHOOTING

PROBLEM	POSSIBLE CAUSE	SUGGESTED SOLUTION
The LED stays off after engine is turned on	The negative wire of the LED is not connected.	Connect the negative wire of the LED.
The LED stays on after engine is turned off	System voltage has not dropped below 12.8V DC due to battery charging. VSR will disengage once residual battery voltage drops below 12.8 V DC.	Give it a few seconds, and the LED light will automatically switch off.
The VSR 'chatters'	Due to an undersized charging system for the batteries, the VSR faces operational challenges. When the start battery reaches the correct voltage and connects to the house battery, the system voltage momentarily drops below 12.8 volts, prompting the relay to automatically disconnect. Subsequently, as the voltage rises, the relay reengages, only to disengage again when the voltage drops, resulting in the distinctive 'chattering' sound as the relay rapidly switches in and out.	Replace the charging system.

ACCESSORIES LIST

1. Voltage Sensitive Relay *1
2. 7AWG Red Battery Cable *1
3. 7AWG Black Battery Cable *1
4. 25-8 Lug Cable End *1
5. 16-8 Lug Cable Ends *2
6. Blue Ring Terminal *1
7. Red Heat Shrink Tubing *2
8. Cable Ties *6
9. M4 x 40mm Screws *2
10. M4 x 20mm Screws *2
11. Battery Terminals *3
12. User Manual *1



Manufacturer: Shanghaimuxinmuyeyouxiangongsi

Address: Shuangchenglu 803nong11hao1602A-1609shi, baoshanqu, shanghai 200000 CN.

Imported to AUS: SIHAO PTY LTD, 1 ROKEVA STREETEASTWOOD NSW 2122 Australia

Imported to USA: Sanven Technology Ltd., Suite 250, 9166 Anaheim Place, Rancho Cucamonga, CA 91730

EC	REP
-----------	------------

E-CrossStu GmbH
Mainzer Landstr.69, 60329 Frankfurt am Main.

UK	REP
-----------	------------

YH CONSULTING LIMITED.
C/O YH Consulting Limited Office 147, Centurion House,
London Road, Staines-upon-Thames, Surrey, TW18 4AX

VEVOR®

TOUGH TOOLS, HALF PRICE

Technical Support and E-Warranty Certificate

www.vevor.com/support

VEVOR[®]

TOUGH TOOLS, HALF PRICE

Technique Certificat d'assistance et de garantie électronique

www.vevor.com/support

RELAIS SENSIBLE À LA TENSION

MODÈLE: VSR00 1

We continue to be committed to provide you tools with competitive price.

"Save Half", "Half Price" or any other similar expressions used by us only represents an estimate of savings you might benefit from buying certain tools with us compared to the major top brands and does not necessarily mean to cover all categories of tools offered by us. You are kindly reminded to verify carefully when you are placing an order with us if you are actually saving half in comparison with the top major brands.

VEVOR[®]

TOUGH TOOLS, HALF PRICE

VOLTAGE SENSITIVE RELAY

MODÈLE: VSR00 1







NEED HELP? CONTACT US!

Have product questions? Need technical support? Please feel free to contact us:

Technical Support and E-Warranty Certificate
www.vevor.com/support

This is the original instruction, please read all manual instructions carefully before operating. VEVOR reserves a clear interpretation of our user manual. The appearance of the product shall be subject to the product you received. Please forgive us that we won't inform you again if there are any technology or software updates on our product.

	<p>Avertissement - Pour réduire le risque de blessure, l'utilisateur doit lire attentivement le manuel d'instructions.</p>
	<p>Cet appareil est conforme à la partie 15 des règles de la FCC. Son fonctionnement est soumis aux deux conditions suivantes : (1) Cet appareil ne doit pas provoquer d'interférences nuisibles et (2) Cet appareil doit accepter toute interférence reçue, y compris les interférences pouvant entraîner un fonctionnement indésirable.</p>
 	<p>Ce produit est soumis aux dispositions de la directive européenne 2012/19/CE. Le symbole représentant une poubelle à roulettes barrée indique que le produit doit faire l'objet d'une collecte sélective des déchets dans l'Union européenne. Cela s'applique au produit et à tous les accessoires marqués de ce symbole. Les produits marqués comme tels ne peuvent pas être jetés avec les déchets ménagers normaux, mais doivent être déposés dans un point de collecte pour le recyclage des appareils électriques et électroniques.</p>

IMPORTANT NOTES

- Avant l'installation ou l'utilisation, il est impératif que les utilisateurs lisent attentivement et comprendre tout messages d'avertissement et de sécurité fournis avec le produit.
- Pour une sécurité optimale, il est conseillé d'installer un fusible entre le Start Batterie et le VSR .
- Le VSR intègre un délai intégré, permettant 3 à 5 secondes pour le connexion ou processus de déconnexion.
- Le VSR est équipé d'un indicateur rouge intégré qui s'allume lorsque le VSR est engagé, indiquant que les deux batteries sont connectées.
- Les personnes sous l'influence de l'alcool ou de drogues, manquant d'expérience ou

Manquant les connaissances professionnelles sont il est interdit d'utiliser cet appareil.

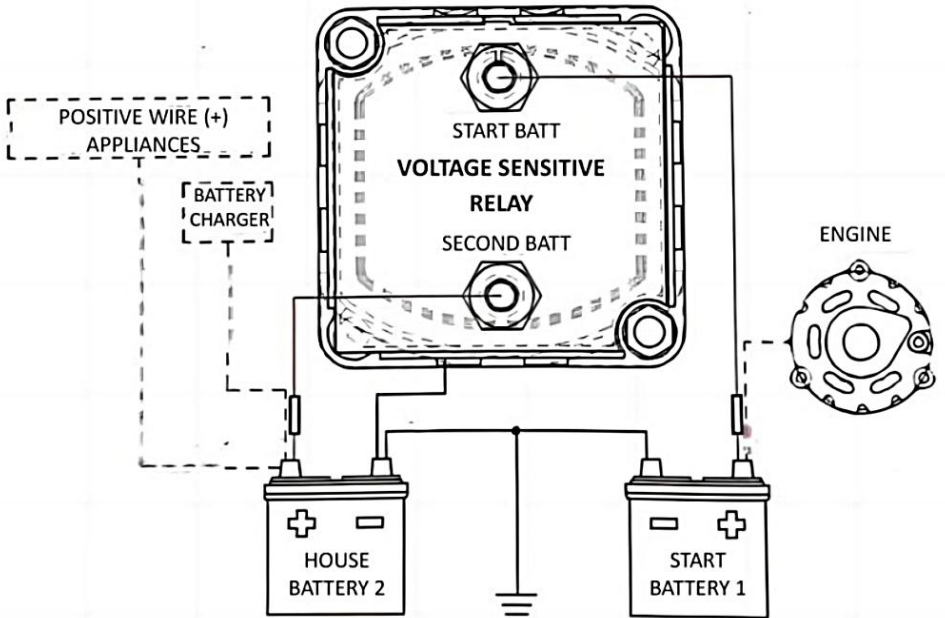
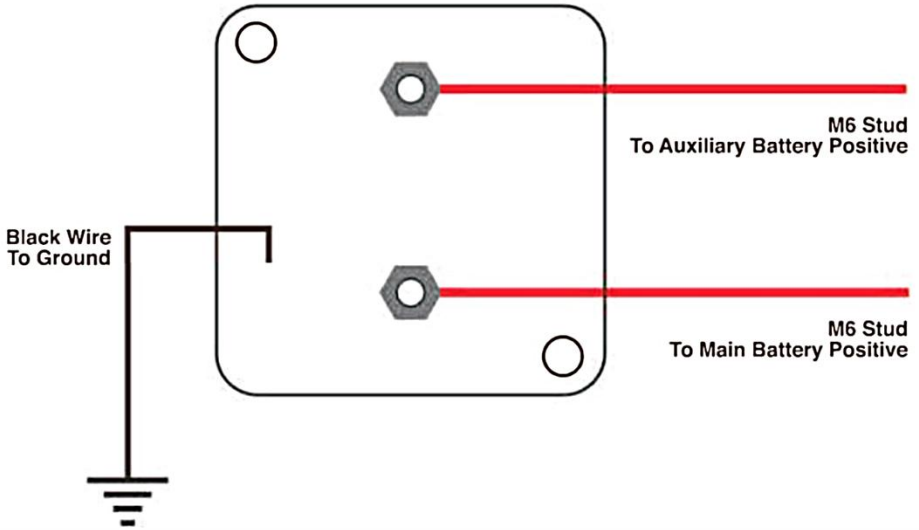
- Évitez d'utiliser ou de stocker ce VSR à proximité de sources de chaleur, de flammes nues ou exposition à des produits chimiques inflammables, à des vapeurs ou à des gaz corrosifs.
- Évitez de démonter le chargeur, car cela peut non seulement provoquer des dommages potentiels cela peut causer des dommages à vous et à l'appareil, mais également annuler la garantie.
- Débranchez le chargeur avant de procéder à des opérations d'entretien ou de nettoyage.
- Portez une protection oculaire appropriée avant de lancer le processus de charge.
- Gardez de l'eau fraîche et du savon à portée de main au cas où l'acide de la batterie entrerait en contact avec l'yeux Dans un tel cas, nettoyez immédiatement avec de l'eau et du savon pendant au moins 15 minutes et consultez un médecin.
- Évitez de fumer ou d'avoir une étincelle ou un feu ouvert à proximité de cet appareil.
- Inspectez régulièrement le VSR pour détecter tout dommage. S'il est endommagé, évitez de l'utiliser jusqu'à ce que les réparations aient été effectuées.

IDENTIFICATION OF PARTS



Voyant d'état de fonctionnement

WIRING INSTRUCTIONS



TECHNICAL SPECIFICATIONS

Voltage	12V
Charging Current	90-120Amp Continuous, 140 Amp Max
Current Draw	Charging 330mA
Cut-in Voltage	13.3V
Cut-out Voltage	12.8V
Cut-out Delay	3-5 Seconds
IP Rating	IP67

TROUBLESHOOTING

PROBLEM	POSSIBLE CAUSE	SUGGESTED SOLUTION
The LED stays off after engine is turned on	The negative wire of the LED is not connected.	Connect the negative wire of the LED.
The LED stays on after engine is turned off	System voltage has not dropped below 12.8V DC due to battery charging. VSR will disengage once residual battery voltage drops below 12.8 V DC.	Give it a few seconds, and the LED light will automatically switch off.
The VSR 'chatters'	Due to an undersized charging system for the batteries, the VSR faces operational challenges. When the start battery reaches the correct voltage and connects to the house battery, the system voltage momentarily drops below 12.8 volts, prompting the relay to automatically disconnect. Subsequently, as the voltage rises, the relay reengages, only to disengage again when the voltage drops, resulting in the distinctive 'chattering' sound as the relay rapidly switches in and out.	Replace the charging system.

ACCESSORIES LIST

13. Relais sensible à la tension *1
14. 7 AWG *1
15. 7 AWG Câble de batterie noir *1
16. 25-8 Extrémité de câble à cosse *1
17. 16-8 embouts de câble à cosse *2
18. Terminal à anneau bleu *1
19. Gaine thermorétractable rouge *2
20. Colliers de serrage *6
21. Vis M4 x 40 mm * 2
22. M4 x Vis 20 mm * 2
23. Bornes de batterie *3
24. Manuel d'utilisation *1



Fabricant : Shanghaimuxinmuyeyouxiangongsi

Adresse : Shuangchenglu 803nong11hao1602A-1609shi, baoshanqu, Shanghai 200000 CN.

Importé en Australie : SIHAO PTY LTD, 1 ROKEVA STREET, ASTWOOD NSW 2122 Australie

Importé aux États-Unis : Sanven Technology Ltd., Suite 250, 9166 Anaheim Place, Rancho Cucamonga, CA 91730

EC	REP
-----------	------------

E-CrossStu GmbH
Mainzer Landstr.69, 60329 Frankfurt am Main.

UK	REP
-----------	------------

YH CONSULTING LIMITED.
C/O YH Consulting Limited Office 147, Centurion House,
London Road, Staines-upon-Thames, Surrey, TW18 4AX

VEVOR®

TOUGH TOOLS, HALF PRICE

Technique Certificat d'assistance et de garantie électronique

www.vevor.com/support

VEVOR[®]

TOUGH TOOLS, HALF PRICE

Technisch Support und E-Garantie-Zertifikat

www.vevor.com/support

SPANNUNGSEMPFINDLICHES RELAIS

MODELL: VSR00 1

We continue to be committed to provide you tools with competitive price.

"Save Half", "Half Price" or any other similar expressions used by us only represents an estimate of savings you might benefit from buying certain tools with us compared to the major top brands and does not necessarily mean to cover all categories of tools offered by us. You are kindly reminded to verify carefully when you are placing an order with us if you are actually saving half in comparison with the top major brands.

VEVOR[®]

TOUGH TOOLS, HALF PRICE

VOLTAGE SENSITIVE RELAY

MODELL: VSR00 1






NEED HELP? CONTACT US!

Have product questions? Need technical support? Please feel free to contact us:

Technical Support and E-Warranty Certificate
www.vevor.com/support

This is the original instruction, please read all manual instructions carefully before operating. VEVOR reserves a clear interpretation of our user manual. The appearance of the product shall be subject to the product you received. Please forgive us that we won't inform you again if there are any technology or software updates on our product.

	<p>Warnung: Um das Verletzungsrisiko zu verringern, muss der Benutzer die Bedienungsanleitung sorgfältig lesen.</p>
	<p>Dieses Gerät entspricht Teil 15 der FCC-Bestimmungen. Der Betrieb unterliegt den folgenden beiden Bedingungen: (1) Dieses Gerät darf keine schädlichen Störungen verursachen und (2) dieses Gerät muss alle empfangenen Störungen akzeptieren, einschließlich Störungen, die einen unerwünschten Betrieb verursachen können.</p>
	<p>Dieses Produkt unterliegt den Bestimmungen der europäischen Richtlinie 2012/19/EU. Das Symbol einer durchgestrichenen Mülltonne weist darauf hin, dass das Produkt in der Europäischen Union einer getrennten Müllentsorgung unterliegt. Dies gilt für das Produkt und alle mit diesem Symbol gekennzeichneten Zubehörteile. So gekennzeichnete Produkte dürfen nicht im normalen Hausmüll entsorgt werden, sondern müssen an einer Sammelstelle für das Recycling von elektrischen und elektronischen Geräten abgegeben werden.</p>

IMPORTANT NOTES

- Vor der Installation oder Verwendung müssen Benutzer unbedingt sorgfältig lesen und alles verstehen Warn- und Sicherheitshinweise, die dem Produkt beiliegen.
- Für optimale Sicherheit ist es ratsam, eine Sicherung zwischen dem Startschalter und dem Batterie und VSR .
- Der VSR verfügt über eine eingebaute Verzögerung, die 3-5 Sekunden für die Verbindung oder Trennungsprozess.
- Der VSR ist mit einer integrierten roten Kontrollleuchte ausgestattet, die leuchtet wenn der VSR aktiviert, was darauf hinweist, dass beide Batterien

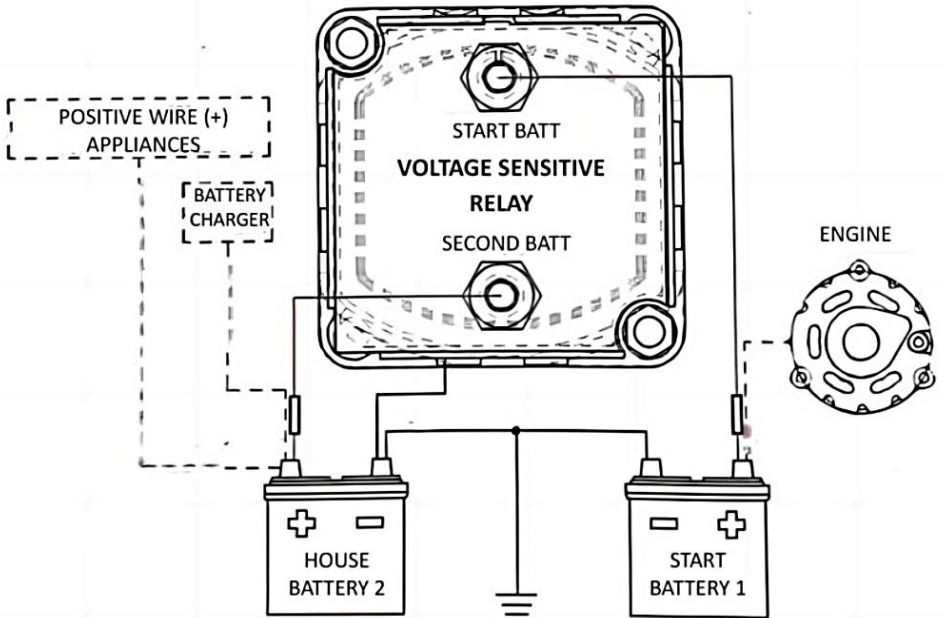
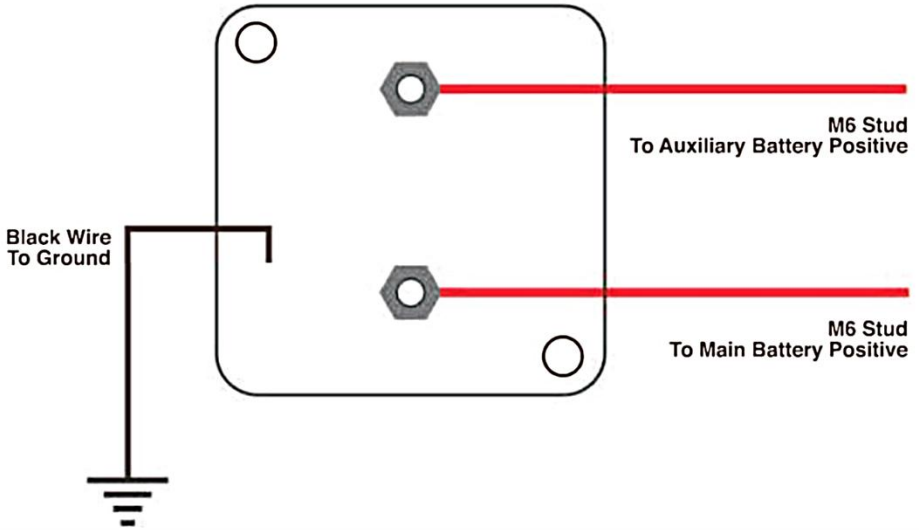
angeschlossen sind.

- Personen, die unter Alkohol- oder Drogeneinfluss stehen, keine Erfahrung haben oder
Fehlt Fachwissen ist Die Nutzung dieses Gerätes ist untersagt.
- Vermeiden Sie die Verwendung oder Lagerung dieses VSR in der Nähe von Wärmequellen, offenen Flammen oder
Exposition gegenüber brennbaren Chemikalien, Dämpfen oder ätzenden Gasen.
- Vermeiden Sie das Zerlegen des Ladegeräts, da dies nicht nur zu potenziellen
Dies kann zu Schäden an Ihnen und dem Gerät führen, außerdem erlischt die Garantie.
- Trennen Sie das Ladegerät vom Stromnetz, bevor Sie Wartungs- oder Reinigungsarbeiten durchführen.
- Tragen Sie vor dem Starten des Ladevorgangs einen geeigneten Augenschutz.
- Halten Sie frisches Wasser und Seife bereit, falls Batteriesäure in Kontakt mit dem
Augen in einem solchen Fall. Reinigen Sie die Haut sofort mindestens 15 Minuten lang mit Wasser und Seife und suchen Sie einen Arzt auf.
- Vermeiden Sie das Rauchen und offene Funken oder Feuer in der Nähe dieses Geräts.
- Überprüfen Sie den VSR regelmäßig auf Beschädigungen. Wenn er beschädigt ist, verwenden Sie ihn nicht mehr.
bis die Reparatur durchgeführt wurde.

IDENTIFICATION OF PARTS

Betriebsstatus-LED

WIRING INSTRUCTIONS



TECHNICAL SPECIFICATIONS

Voltage	12V
Charging Current	90-120Amp Continuous, 140 Amp Max
Current Draw	Charging 330mA
Cut-in Voltage	13.3V
Cut-out Voltage	12.8V
Cut-out Delay	3-5 Seconds
IP Rating	IP67

TROUBLESHOOTING

PROBLEM	POSSIBLE CAUSE	SUGGESTED SOLUTION
The LED stays off after engine is turned on	The negative wire of the LED is not connected.	Connect the negative wire of the LED.
The LED stays on after engine is turned off	System voltage has not dropped below 12.8V DC due to battery charging. VSR will disengage once residual battery voltage drops below 12.8 V DC.	Give it a few seconds, and the LED light will automatically switch off.
The VSR 'chatters'	Due to an undersized charging system for the batteries, the VSR faces operational challenges. When the start battery reaches the correct voltage and connects to the house battery, the system voltage momentarily drops below 12.8 volts, prompting the relay to automatically disconnect. Subsequently, as the voltage rises, the relay reengages, only to disengage again when the voltage drops, resulting in the distinctive 'chattering' sound as the relay rapidly switches in and out.	Replace the charging system.

ACCESSORIES LIST

25. Spannungsempfindliches Relais *1
26. 7 AWG Rotes Batteriekabel *1
27. 7 AWG 1 x schwarzes Batteriekabel
28. 25-8 Kabelschuh-Endstück *1
29. 16-8 Kabelenden mit Öse *2
30. Blauer Ringanschluss *1
31. Roter Schrumpfschlauch *2
32. Kabelbinder *6
33. M4 x 40mm Schrauben *2
34. M4 x 20mm Schrauben *2
35. Batterieklappen *3
36. Benutzerhandbuch *1



Hersteller: Shanghai muxinmuyeyouxiangongsi

Adresse : Shuangchenglu 803nong11hao1602A-1609shi, Baoshanqu, Shanghai 200000 CN.

Nach AUS importiert: SIHAO PTY LTD, 1 ROKEVA STREET EASTWOOD NSW 2122 Australien

Importiert in die USA: Sanven Technology Ltd., Suite 250, 9166 Anaheim Place, Rancho Cucamonga, CA 91730

EC	REP
-----------	------------

E-CrossStu GmbH
Mainzer Landstr.69, 60329 Frankfurt am Main.

UK	REP
-----------	------------

YH CONSULTING LIMITED.
C/O YH Consulting Limited Office 147, Centurion House,
London Road, Staines-upon-Thames, Surrey, TW18 4AX

VEVOR®

TOUGH TOOLS, HALF PRICE

Technisch Support und E-Garantie-Zertifikat

www.vevor.com/support

VEVOR[®]

TOUGH TOOLS, HALF PRICE

Tecnico Supporto e certificato di garanzia elettronica

www.vevor.com/support

RELÈ SENSIBILE ALLA TENSIONE

MODELLO: CODICE ARTICOLO: VSR00 1

We continue to be committed to provide you tools with competitive price.

"Save Half", "Half Price" or any other similar expressions used by us only represents an estimate of savings you might benefit from buying certain tools with us compared to the major top brands and does not necessarily mean to cover all categories of tools offered by us. You are kindly reminded to verify carefully when you are placing an order with us if you are actually saving half in comparison with the top major brands.

VEVOR[®]

TOUGH TOOLS, HALF PRICE

VOLTAGE SENSITIVE RELAY

MODELLO: CODICE ARTICOLO: VSR00 1






NEED HELP? CONTACT US!

Have product questions? Need technical support? Please feel free to contact us:

Technical Support and E-Warranty Certificate
www.vevor.com/support

This is the original instruction, please read all manual instructions carefully before operating. VEVOR reserves a clear interpretation of our user manual. The appearance of the product shall be subject to the product you received. Please forgive us that we won't inform you again if there are any technology or software updates on our product.

	<p>Attenzione: per ridurre il rischio di lesioni, l'utente deve leggere attentamente il manuale di istruzioni.</p>
	<p>Questo dispositivo è conforme alla Parte 15 delle Norme FCC. Il funzionamento è soggetto alle due condizioni seguenti: (1) Questo dispositivo non può causare interferenze dannose e (2) Questo dispositivo deve accettare qualsiasi interferenza ricevuta, comprese le interferenze che possono causare un funzionamento indesiderato.</p>
	<p>Questo prodotto è soggetto alle disposizioni della Direttiva Europea 2012/19/CE. Il simbolo raffigurante un bidone della spazzatura barrato indica che il prodotto richiede la raccolta differenziata dei rifiuti nell'Unione Europea. Ciò si applica al prodotto e a tutti gli accessori contrassegnati con questo simbolo. I prodotti contrassegnati come tali non possono essere smaltiti con i normali rifiuti domestici, ma devono essere portati in un punto di raccolta per il riciclaggio di dispositivi elettrici ed elettronici</p>

IMPORTANT NOTES

- Prima dell'installazione o dell'uso, è indispensabile che gli utenti leggano attentamente e comprendere tutto messaggi di avvertenza e sicurezza forniti con il prodotto.
- Per una sicurezza ottimale, si consiglia di installare un fusibile tra l'avviamento e il Batteria e VSR .
- Il VSR incorpora un ritardo incorporato, che consente 3-5 secondi per l'connessione o processo di disconnessione.
- Il VSR è dotato di un indicatore rosso integrato che si illumina quando il VSR è inserito, indicando che entrambe le batterie sono collegate.
- Individui sotto l'effetto di alcol o droghe, privi di esperienza o Mancante la conoscenza professionale è vietato l'uso di questa unità.

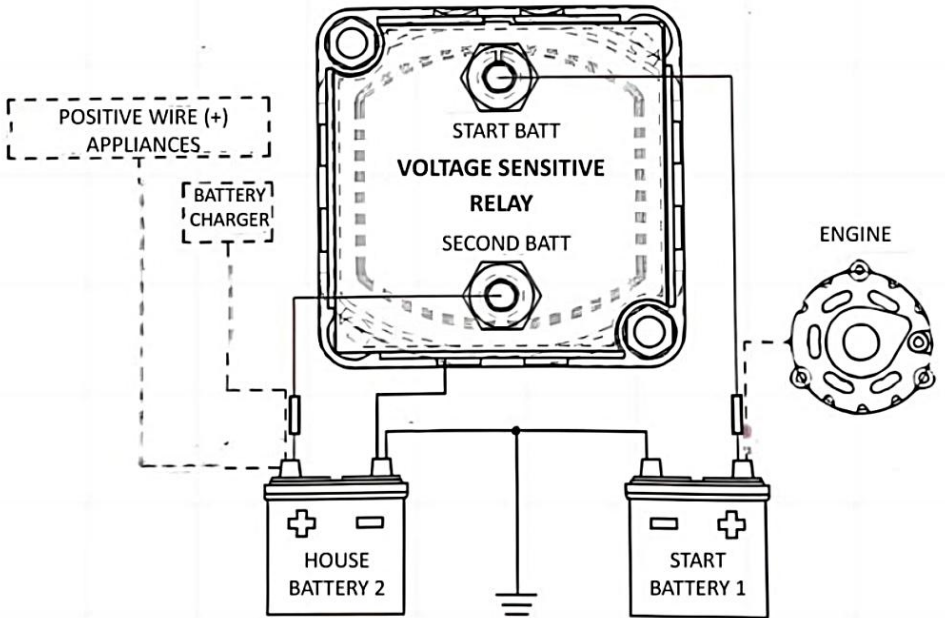
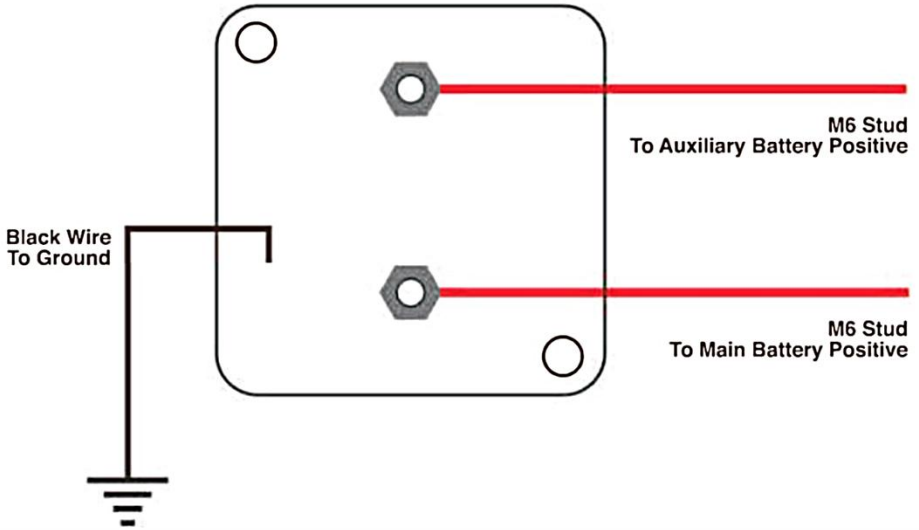
- Evitare di utilizzare o conservare questo VSR vicino a fonti di calore, fiamme libere o esposizione a sostanze chimiche infiammabili, vapori o gas corrosivi.
- Evitare di smontare il caricabatterie, poiché ciò potrebbe non solo causare potenziali danni a te e all'unità, ma invalidano anche la garanzia.
- Scollegare il caricabatterie prima di effettuare operazioni di manutenzione o pulizia.
- Indossare un'adeguata protezione per gli occhi prima di iniziare il processo di ricarica.
- Tenere a portata di mano acqua fresca e sapone nel caso in cui l'acido della batteria entri in contatto con occhi in tal caso, pulire immediatamente con acqua e sapone per almeno 15 minuti e consultare un medico.
- Evitare di fumare o di avere scintille o fiamme libere in prossimità dell'unità.
- Ispezionare regolarmente il VSR per eventuali danni. Se danneggiato, evitare di utilizzarlo finché non saranno effettuate le riparazioni.

IDENTIFICATION OF PARTS



Stato di lavoro guidato

WIRING INSTRUCTIONS



TECHNICAL SPECIFICATIONS

Voltage	12V
Charging Current	90-120Amp Continuous, 140 Amp Max
Current Draw	Charging 330mA
Cut-in Voltage	13.3V
Cut-out Voltage	12.8V
Cut-out Delay	3-5 Seconds
IP Rating	IP67

TROUBLESHOOTING

PROBLEM	POSSIBLE CAUSE	SUGGESTED SOLUTION
The LED stays off after engine is turned on	The negative wire of the LED is not connected.	Connect the negative wire of the LED.
The LED stays on after engine is turned off	System voltage has not dropped below 12.8V DC due to battery charging. VSR will disengage once residual battery voltage drops below 12.8 V DC.	Give it a few seconds, and the LED light will automatically switch off.
The VSR 'chatters'	Due to an undersized charging system for the batteries, the VSR faces operational challenges. When the start battery reaches the correct voltage and connects to the house battery, the system voltage momentarily drops below 12.8 volts, prompting the relay to automatically disconnect. Subsequently, as the voltage rises, the relay reengages, only to disengage again when the voltage drops, resulting in the distinctive 'chattering' sound as the relay rapidly switches in and out.	Replace the charging system.

ACCESSORIES LIST

37. Relè sensibile alla tensione *1
38. 7 *1
39. 7 AWG Cavo batteria nero *1
40. Estremità del cavo a 25-8 alette *1
41. Estremità del cavo a 16-8 alette *2
42. Terminale ad anello blu *1
43. Tubo termorestringente rosso *2
44. Fascette per cavi *6
45. Viti M4 x 40mm *2
46. M4x Viti da 20 mm *2
47. Terminali della batteria *3
48. Manuale d'uso *1



Produttore: Shanghai muxinmuyeyouxiangongsi

Indirizzo : Shuangchenglu 803nong11hao1602A-1609shi, baoshanqu, shanghai 200000 CN.

Importato in AUS: SIHAO PTY LTD, 1 ROKEVA STREET EASTWOOD NSW 2122 Australia

Importato negli USA: Sanven Technology Ltd., Suite 250, 9166 Anaheim Place, Rancho Cucamonga, CA 91730

EC	REP
-----------	------------

E-CrossStu GmbH
Mainzer Landstr.69, 60329 Frankfurt am Main.

UK	REP
-----------	------------

YH CONSULTING LIMITED.
C/O YH Consulting Limited Office 147, Centurion House,
London Road, Staines-upon-Thames, Surrey, TW18 4AX

VEVOR[®]

TOUGH TOOLS, HALF PRICE

Tecnico Supporto e certificato di garanzia elettronica

www.vevor.com/support

VEVOR[®]

TOUGH TOOLS, HALF PRICE

Técnico Certificado de soporte y garantía electrónica

www.vevor.com/support

RELÉ SENSIBLE AL VOLTAJE

MODELO: VSR00 1

We continue to be committed to provide you tools with competitive price.

"Save Half", "Half Price" or any other similar expressions used by us only represents an estimate of savings you might benefit from buying certain tools with us compared to the major top brands and does not necessarily mean to cover all categories of tools offered by us. You are kindly reminded to verify carefully when you are placing an order with us if you are actually saving half in comparison with the top major brands.

VEVOR[®]

TOUGH TOOLS, HALF PRICE

VOLTAGE SENSITIVE RELAY

MODELO: VSR00 1







NEED HELP? CONTACT US!

Have product questions? Need technical support? Please feel free to contact us:

Technical Support and E-Warranty Certificate
www.vevor.com/support

This is the original instruction, please read all manual instructions carefully before operating. VEVOR reserves a clear interpretation of our user manual. The appearance of the product shall be subject to the product you received. Please forgive us that we won't inform you again if there are any technology or software updates on our product.

	<p>Advertencia: Para reducir el riesgo de lesiones, el usuario debe leer atentamente el manual de instrucciones.</p>
	<p>Este dispositivo cumple con la Parte 15 de las Normas de la FCC. Su funcionamiento está sujeto a las dos condiciones siguientes: (1) Este dispositivo no puede causar interferencias perjudiciales y (2) Este dispositivo debe aceptar cualquier interferencia que reciba, incluidas las interferencias que puedan causar un funcionamiento no deseado.</p>
 	<p>Este producto está sujeto a las disposiciones de la Directiva Europea 2012/19/CE. El símbolo que muestra un contenedor de basura tachado indica que el producto requiere una recogida selectiva de residuos en la Unión Europea. Esto se aplica al producto y a todos los accesorios marcados con este símbolo. Los productos marcados como tales no pueden desecharse con los residuos domésticos normales, sino que deben llevarse a un punto de recogida para reciclar dispositivos eléctricos y electrónicos.</p>

IMPORTANT NOTES

- Antes de la instalación o el uso, es imperativo que los usuarios lean y comprender todo Mensajes de advertencia y seguridad que vienen con el producto.
- Para una seguridad óptima, es recomendable instalar un fusible entre el arranque Batería y VSR .
- El VSR incorpora un retardo incorporado, lo que permite entre 3 y 5 segundos para la conexión o proceso de desconexión.
- El VSR está equipado con un indicador rojo integrado que se ilumina Cuando el VSR es Activado, lo que indica que ambas baterías están conectadas.
- Personas bajo la influencia del alcohol o drogas, sin experiencia o

Carente El conocimiento profesional es Está prohibido utilizar esta unidad.

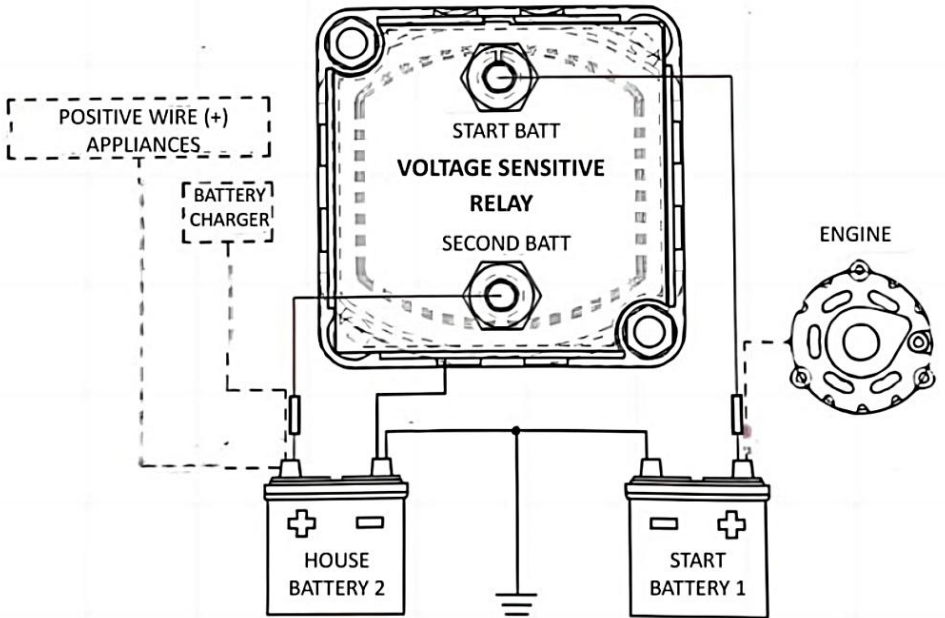
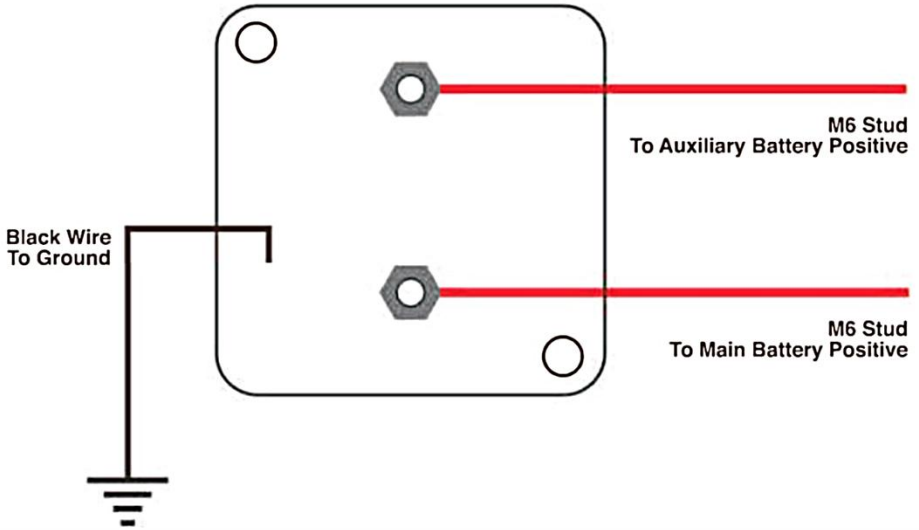
- Evite utilizar o almacenar este VSR cerca de fuentes de calor, llamas abiertas o exposición a productos químicos inflamables, vapores o gases corrosivos.
- Evite desmontar el cargador, ya que esto no solo puede causar daños potenciales dañarlo a usted y a la unidad, y también anulará la garantía.
- Desconecte el cargador antes de realizar tareas de mantenimiento o limpieza.
- Utilice protección ocular adecuada antes de iniciar el proceso de carga.
- Tenga a mano agua fresca y jabón en caso de que el ácido de la batería entre en contacto con el ojos En tal caso, lávese inmediatamente con agua y jabón durante un mínimo de 15 minutos y busque atención médica.
- Evite fumar o tener chispas o fuego cerca de esta unidad.
- Inspeccione periódicamente el VSR para detectar posibles daños. Si está dañado, evite usarlo. hasta que se hayan realizado las reparaciones.

IDENTIFICATION OF PARTS



Led de estado de trabajo

WIRING INSTRUCTIONS



TECHNICAL SPECIFICATIONS

Voltage	12V
Charging Current	90-120Amp Continuous, 140 Amp Max
Current Draw	Charging 330mA
Cut-in Voltage	13.3V
Cut-out Voltage	12.8V
Cut-out Delay	3-5 Seconds
IP Rating	IP67

TROUBLESHOOTING

PROBLEM	POSSIBLE CAUSE	SUGGESTED SOLUTION
The LED stays off after engine is turned on	The negative wire of the LED is not connected.	Connect the negative wire of the LED.
The LED stays on after engine is turned off	System voltage has not dropped below 12.8V DC due to battery charging. VSR will disengage once residual battery voltage drops below 12.8 V DC.	Give it a few seconds, and the LED light will automatically switch off.
The VSR 'chatters'	Due to an undersized charging system for the batteries, the VSR faces operational challenges. When the start battery reaches the correct voltage and connects to the house battery, the system voltage momentarily drops below 12.8 volts, prompting the relay to automatically disconnect. Subsequently, as the voltage rises, the relay reengages, only to disengage again when the voltage drops, resulting in the distinctive 'chattering' sound as the relay rapidly switches in and out.	Replace the charging system.

ACCESSORIES LIST

49. Relé sensible al voltaje *1
50. de 7 AWG *1
51. 7 AWG Cable de batería negro *1
52. Extremo de cable con lengüeta de 25-8 *1
53. 16-8 Extremos de cable con lengüeta *2
54. Terminal de anillo azul *1
55. Tubo termorretráctil rojo *2
56. Bridas para cables *6
57. Tornillos M4 x 40 mm *2
58. M4x Tornillos de 20 mm *2
59. Terminales de batería *3
60. Manual de usuario *1



Fabricante: Shanghaimuxinmuyeyouxiangongsi

Dirección : Shuangchenglu 803nong11hao1602A-1609shi, baoshanqu, shanghai 200000 CN.

Importado a AUS: SIHAO PTY LTD, 1 ROKEVA STREET EASTWOOD NSW 2122 Australia

Importado a EE. UU.: Sanven Technology Ltd., Suite 250, 9166 Anaheim Place, Rancho Cucamonga, CA 91730

EC	REP
-----------	------------

E-CrossStu GmbH
Mainzer Landstr.69, 60329 Frankfurt am Main.

UK	REP
-----------	------------

YH CONSULTING LIMITED.
C/O YH Consulting Limited Office 147, Centurion House,
London Road, Staines-upon-Thames, Surrey, TW18 4AX

VEVOR®

TOUGH TOOLS, HALF PRICE

Técnico Certificado de soporte y garantía electrónica

www.vevor.com/support

VEVOR[®]

TOUGH TOOLS, HALF PRICE

Techniczny Wsparcie i certyfikat e-gwarancji

www.vevor.com/support

PRZEKAŹNIK WRAŻLIWY NA NAPIĘCIE

MODEL: VSR00 1

We continue to be committed to provide you tools with competitive price.

"Save Half", "Half Price" or any other similar expressions used by us only represents an estimate of savings you might benefit from buying certain tools with us compared to the major top brands and does not necessarily mean to cover all categories of tools offered by us. You are kindly reminded to verify carefully when you are placing an order with us if you are actually saving half in comparison with the top major brands.

VEVOR[®]

TOUGH TOOLS, HALF PRICE

VOLTAGE SENSITIVE RELAY

MODEL: VSR00 1






NEED HELP? CONTACT US!

Have product questions? Need technical support? Please feel free to contact us:

Technical Support and E-Warranty Certificate
www.vevor.com/support

This is the original instruction, please read all manual instructions carefully before operating. VEVOR reserves a clear interpretation of our user manual. The appearance of the product shall be subject to the product you received. Please forgive us that we won't inform you again if there are any technology or software updates on our product.

	<p>Ostrzeżenie: Aby zminimalizować ryzyko obrażeń, użytkownik powinien uważnie przeczytać instrukcję obsługi.</p>
	<p>To urządzenie jest zgodne z częścią 15 przepisów FCC. Jego działanie podlega następującym dwóm warunkom: (1) To urządzenie nie może powodować szkodliwych zakłóceń i (2) to urządzenie musi akceptować wszelkie odbierane zakłócenia, w tym zakłócenia, które mogą powodować niepożądane działanie.</p>
	<p>Ten produkt podlega postanowieniom Dyrektywy Europejskiej 2012/19/WE. Symbol przedstawiający przekreślony kosz na śmieci na kółkach oznacza, że produkt wymaga oddzielnej zbiórki odpadów w Unii Europejskiej. Dotyczy to produktu i wszystkich akcesoriów oznaczonych tym symbolem. Produktów oznaczonych w ten sposób nie można wyrzucać razem ze zwykłymi odpadami domowymi, ale należy je oddać do punktu zbiórki w celu recyklingu urządzeń elektrycznych i elektronicznych.</p>

IMPORTANT NOTES

- Przed instalacją lub użyciem użytkownicy muszą koniecznie dokładnie przeczytać i zapoznać się z treścią niniejszej instrukcji. zrozumieć wszystko ostrzeżenia i komunikaty dotyczące bezpieczeństwa dołączone do produktu.
- W celu zapewnienia optymalnego bezpieczeństwa zaleca się zamontowanie bezpiecznika pomiędzy wyłącznikiem Start Akumulator i VSR .
- VSR zawiera wbudowane opóźnienie, które pozwala na 3-5 sekundowe opóźnienie połączenie lub proces rozłączania.
- VSR jest wyposażony w zintegrowany czerwony wskaźnik, który świeci gdy VSR jest załączony, co oznacza, że oba akumulatory są podłączone.
- Osoby będące pod wpływem alkoholu lub narkotyków, nieposiadające

doświadczenia lub

Brakująca wiedza zawodowa to Zabrania się korzystania z tego urządzenia.

- Unikaj używania lub przechowywania tego VSR w pobliżu źródeł ciepła, otwartego ognia lub narażenie na działanie łatwopalnych substancji chemicznych, oparów lub gazów żrących.
- Unikaj rozmontowywania ładowarki, ponieważ może to nie tylko spowodować potencjalne szkody dla Ciebie i urządzenia, a także unieważnienie gwarancji.
- Przed przystąpieniem do czynności konserwacyjnych lub czyszczenia należy odłączyć ładowarkę.
- Przed rozpoczęciem ładowania należy założyć odpowiednią ochronę oczu.
- Trzymaj pod ręką świeżą wodę i mydło na wypadek kontaktu kwasu akumulatorowego z oczu w takim przypadku. Natychmiast umyj skórę wodą z mydłem przez co najmniej 15 minut i zasięgnij porady lekarza.
- Unikaj palenia i rozniecania ognia lub isker w pobliżu tego urządzenia.
- Regularnie sprawdzaj VSR pod kątem uszkodzeń. Jeśli jest uszkodzony, unikaj jego używania. do czasu przeprowadzenia naprawy.

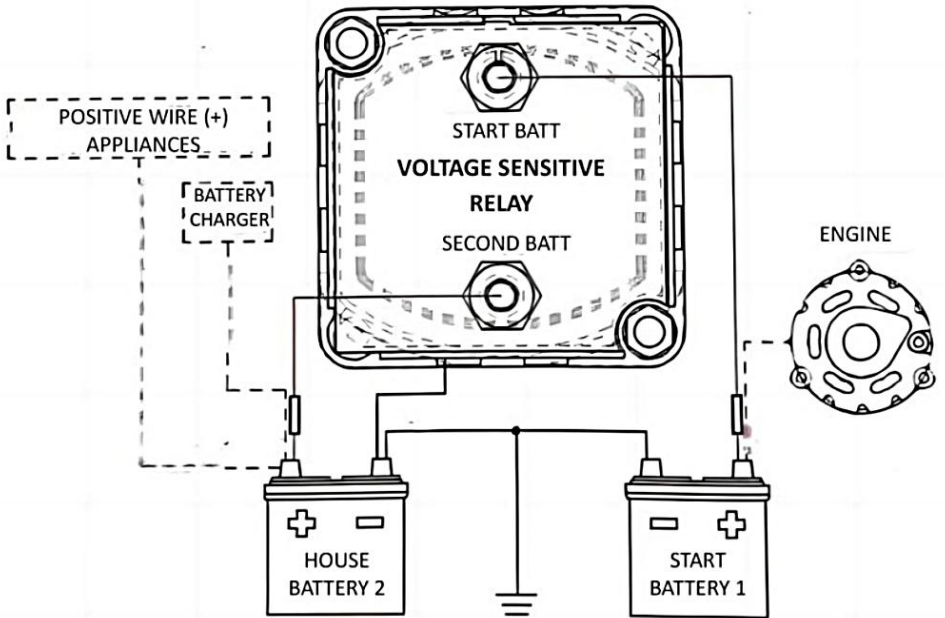
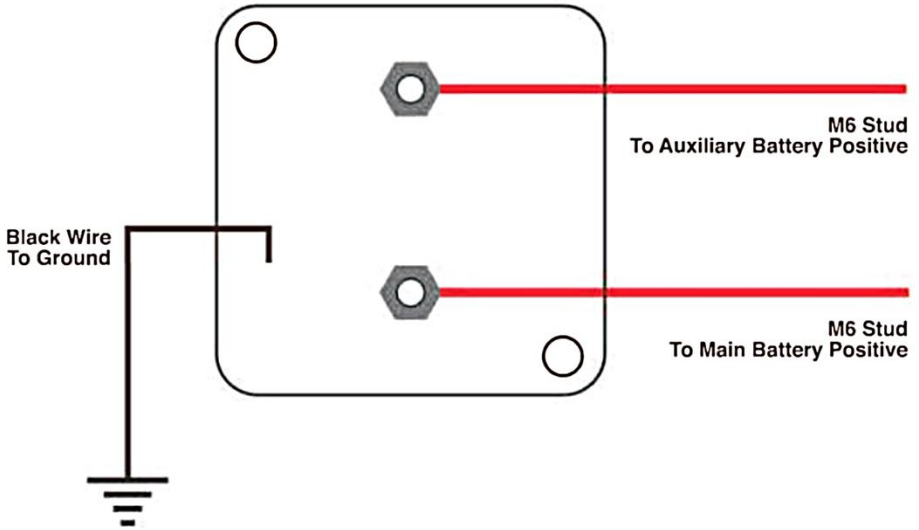
IDENTIFICATION OF PARTS

VEVOR[®]

Smart Battery Isolator

Dioda LED stanu pracy

WIRING INSTRUCTIONS



TECHNICAL SPECIFICATIONS

Voltage	12V
Charging Current	90-120Amp Continuous, 140 Amp Max
Current Draw	Charging 330mA
Cut-in Voltage	13.3V
Cut-out Voltage	12.8V
Cut-out Delay	3-5 Seconds
IP Rating	IP67

TROUBLESHOOTING

PROBLEM	POSSIBLE CAUSE	SUGGESTED SOLUTION
The LED stays off after engine is turned on	The negative wire of the LED is not connected.	Connect the negative wire of the LED.
The LED stays on after engine is turned off	System voltage has not dropped below 12.8V DC due to battery charging. VSR will disengage once residual battery voltage drops below 12.8 V DC.	Give it a few seconds, and the LED light will automatically switch off.
The VSR 'chatters'	Due to an undersized charging system for the batteries, the VSR faces operational challenges. When the start battery reaches the correct voltage and connects to the house battery, the system voltage momentarily drops below 12.8 volts, prompting the relay to automatically disconnect. Subsequently, as the voltage rises, the relay reengages, only to disengage again when the voltage drops, resulting in the distinctive 'chattering' sound as the relay rapidly switches in and out.	Replace the charging system.

ACCESSORIES LIST

61. Przekąźnik wrażliwy na napięcie *1
62. 7 AWG czerwony kabel akumulatorowy *1
63. 7 AWG Czarny kabel do akumulatora *1
64. Końcówka kabla 25-8 *1
65. Końcówki kabli 16-8 *2
66. Niebieski zacisk pierścieniowy *1
67. Rurka termokurczliwa czerwona *2
68. Opaski zaciskowe *6
69. Śruby M4 x 40 mm *2
70. M4x Śruby 20 mm *2
71. Zaciski akumulatora *3
72. Instrukcja obsługi *1



Producent: Shanghaimuxinmuyeyouxiangongsi

Adres : Shuangchenglu 803nong11hao1602A-1609shi, baoshanqu, szanghaj 200000 CN.

Importowane do AUS: SIHAO PTY LTD, 1 ROKEVA STREETEASTWOOD NSW 2122 Australia

Importowane do USA: Sanven Technology Ltd., Suite 250, 9166 Anaheim Place, Rancho Cucamonga, CA 91730

EC	REP
-----------	------------

E-CrossStu GmbH
Mainzer Landstr.69, 60329 Frankfurt am Main.

UK	REP
-----------	------------

YH CONSULTING LIMITED.
C/O YH Consulting Limited Office 147, Centurion House,
London Road, Staines-upon-Thames, Surrey, TW18 4AX

VEVOR®

TOUGH TOOLS, HALF PRICE

Techniczny Wsparcie i certyfikat e-gwarancji

www.vevor.com/support

VEVOR[®]

TOUGH TOOLS, HALF PRICE

Technisch Ondersteuning en E-garantiecertificaat

www.vevor.com/support

SPANNINGSGEVOELIGE RELAIS

MODEL: VSR00 1

We continue to be committed to provide you tools with competitive price.

"Save Half", "Half Price" or any other similar expressions used by us only represents an estimate of savings you might benefit from buying certain tools with us compared to the major top brands and does not necessarily mean to cover all categories of tools offered by us. You are kindly reminded to verify carefully when you are placing an order with us if you are actually saving half in comparison with the top major brands.

VEVOR[®]

TOUGH TOOLS, HALF PRICE

VOLTAGE SENSITIVE RELAY

MODEL: VSR00 1



NEED HELP? CONTACT US!

Have product questions? Need technical support? Please feel free to contact us:

Technical Support and E-Warranty Certificate
www.vevor.com/support

This is the original instruction, please read all manual instructions carefully before operating. VEVOR reserves a clear interpretation of our user manual. The appearance of the product shall be subject to the product you received. Please forgive us that we won't inform you again if there are any technology or software updates on our product.

	<p>Waarschuwing: om het risico op letsel te verkleinen, moet de gebruiker de gebruiksaanwijzing zorgvuldig lezen.</p>
	<p>Dit apparaat voldoet aan Deel 15 van de FCC-regels. De werking is onderworpen aan de volgende twee voorwaarden: (1) Dit apparaat mag geen schadelijke interferentie veroorzaken, en (2) dit apparaat moet alle ontvangen interferentie accepteren, inclusief interferentie die ongewenste werking kan veroorzaken.</p>
	<p>Dit product is onderworpen aan de bepalingen van de Europese richtlijn 2012/19/EG. Het symbool met een doorgestreepte afvalbak geeft aan dat het product in de Europese Unie gescheiden afvalinzameling vereist. Dit geldt voor het product en alle accessoires die met dit symbool zijn gemarkeerd. Producten die als zodanig zijn gemarkeerd, mogen niet met het normale huishoudelijke afval worden weggegooid, maar moeten worden ingeleverd bij een inzamelpunt voor recycling van elektrische en elektronische apparaten.</p>

IMPORTANT NOTES

- Voor installatie of gebruik is het van groot belang dat gebruikers de gebruiksaanwijzing grondig doorlezen en alles begrijpen waarschuwingen en veiligheidsberichten die bij het product zijn meegeleverd.
- Voor optimale veiligheid is het raadzaam om een zekering te plaatsen tussen de Start Batterij en de VSR .
- De VSR beschikt over een ingebouwde vertraging, waardoor de tijd tussen de 3 en 5 seconden bedraagt.
verbinding of ontkoppelingsproces.
- De VSR is uitgerust met een geïntegreerde rode indicator die oplicht wanneer de VSR is ingeschakeld, wat aangeeft dat beide accu's zijn aangesloten.

- Personen onder invloed van alcohol of drugs, die geen ervaring hebben, of
Ontbrekend professionele kennis is Het is verboden dit apparaat te gebruiken.
- Vermijd het gebruik of de opslag van deze VSR in de buurt van warmtebronnen, open vuur of blootstelling aan ontvlambare chemicaliën, dampen of bijtende gassen.
- Vermijd het demonteren van de oplader, aangezien dit niet alleen potentiële schade toebrengen aan u en het apparaat, maar ook de garantie ongeldig maken.
- Koppel de lader los voordat u met onderhoud of reiniging begint.
- Draag een geschikte oogbescherming voordat u met het opladen begint.
- Zorg dat u vers water en zeep bij de hand hebt voor het geval dat accuzuur in contact komt met de batterij.
ogen in zo'n geval. Reinig onmiddellijk met water en zeep gedurende minimaal 15 minuten en zoek medische hulp.
- Rook niet en zorg dat er geen open vonken of vuur in de buurt van dit apparaat zijn.
- Controleer de VSR regelmatig op eventuele schade. Als deze beschadigd is, gebruik hem dan niet meer.
totdat de reparaties zijn uitgevoerd.

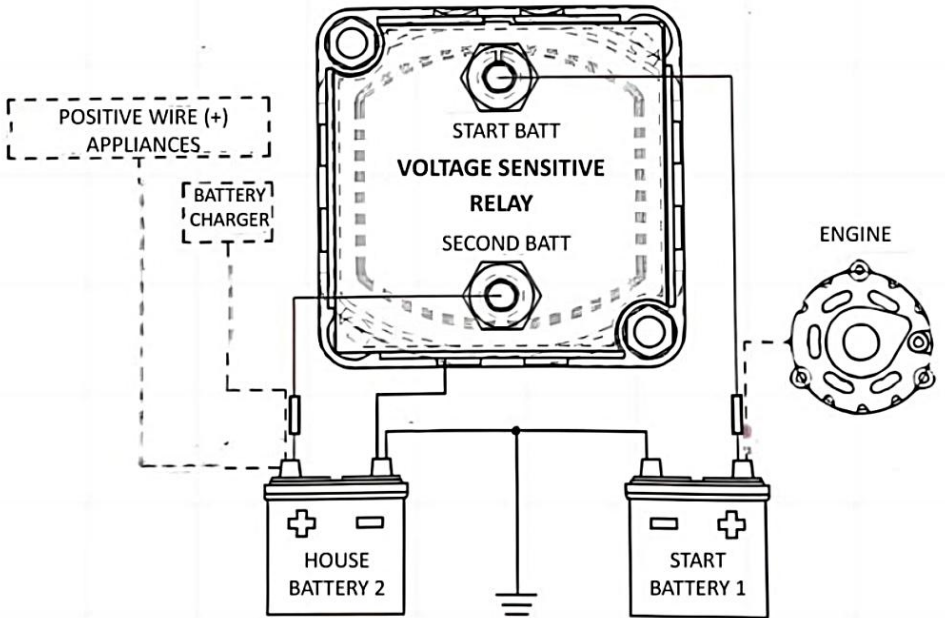
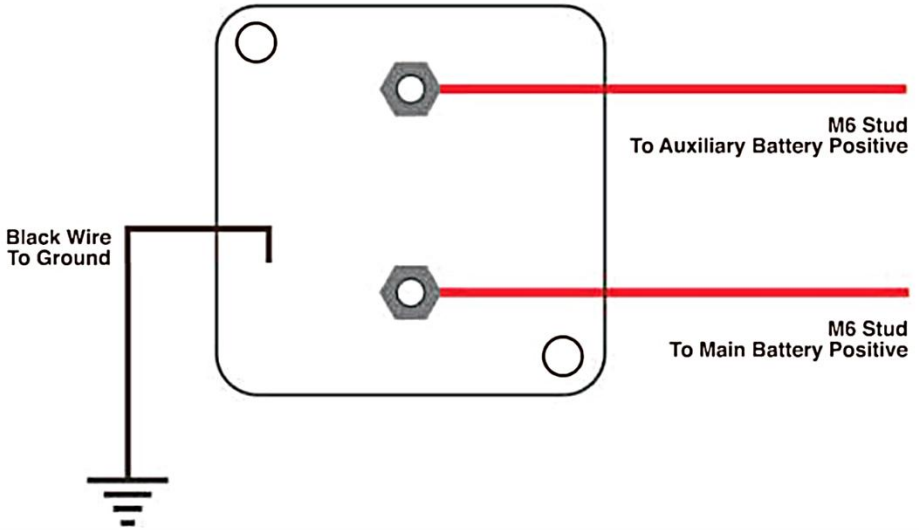
IDENTIFICATION OF PARTS

VEVOR®

Smart Battery Isolator

Werkstatus led

WIRING INSTRUCTIONS



TECHNICAL SPECIFICATIONS

Voltage	12V
Charging Current	90-120Amp Continuous, 140 Amp Max
Current Draw	Charging 330mA
Cut-in Voltage	13.3V
Cut-out Voltage	12.8V
Cut-out Delay	3-5 Seconds
IP Rating	IP67

TROUBLESHOOTING

PROBLEM	POSSIBLE CAUSE	SUGGESTED SOLUTION
The LED stays off after engine is turned on	The negative wire of the LED is not connected.	Connect the negative wire of the LED.
The LED stays on after engine is turned off	System voltage has not dropped below 12.8V DC due to battery charging. VSR will disengage once residual battery voltage drops below 12.8 V DC.	Give it a few seconds, and the LED light will automatically switch off.
The VSR 'chatters'	Due to an undersized charging system for the batteries, the VSR faces operational challenges. When the start battery reaches the correct voltage and connects to the house battery, the system voltage momentarily drops below 12.8 volts, prompting the relay to automatically disconnect. Subsequently, as the voltage rises, the relay reengages, only to disengage again when the voltage drops, resulting in the distinctive 'chattering' sound as the relay rapidly switches in and out.	Replace the charging system.

ACCESSORIES LIST

- 73. Spanningsgevoelig relais *1
- 74. 7 AWG Rode batterijkabel *1
- 75. 7 AWG Zwarte batterijkabel *1
- 76. 25-8 Kabeluiteinde *1
- 77. 16-8 Kabeluiteinden met nokken *2
- 78. Blauwe ringterminal *1
- 79. Rode krimpkous *2
- 80. Kabelbinders *6
- 81. M4 x 40mm schroeven *2
- 82. M4x 20mm Schroeven *2
- 83. Batterijklemmen *3
- 84. Gebruiksaanwijzing *1



Fabrikant: Shanghaimuxinmuyeyouxiangongsi

Adres : Shuangchenglu 803nong11hao1602A-1609shi, baoshanqu, shanghai
200000 CN.

Geïmporteerd naar AUS: SIHAO PTY LTD, 1 ROKEVA

STREETEASTWOOD NSW 2122 Australië

Geïmporteerd naar de VS: Sanven Technology Ltd., Suite 250, 9166

Anaheim Place, Rancho Cucamonga, CA 91730

EC	REP
-----------	------------

E-CrossStu GmbH

Mainzer Landstr.69, 60329 Frankfurt am Main.

UK	REP
-----------	------------

YH CONSULTING LIMITED.

C/O YH Consulting Limited Office 147, Centurion House,
London Road, Staines-upon-Thames, Surrey, TW18 4AX

VEVOR[®]

TOUGH TOOLS, HALF PRICE

Technisch Ondersteuning en E-garantiecertificaat

www.vevor.com/support

VEVOR[®]

TOUGH TOOLS, HALF PRICE

Teknisk Support och e-garanticertifikat

www.vevor.com/support

SPÄNNINGSKÄNSLIGT RELÄ

MODELL: VSR00 1

We continue to be committed to provide you tools with competitive price.

"Save Half", "Half Price" or any other similar expressions used by us only represents an estimate of savings you might benefit from buying certain tools with us compared to the major top brands and does not necessarily mean to cover all categories of tools offered by us. You are kindly reminded to verify carefully when you are placing an order with us if you are actually saving half in comparison with the top major brands.

VEVOR[®]

TOUGH TOOLS, HALF PRICE

VOLTAGE SENSITIVE RELAY

MODELL: VSR00 1






NEED HELP? CONTACT US!

Have product questions? Need technical support? Please feel free to contact us:

Technical Support and E-Warranty Certificate
www.vevor.com/support

This is the original instruction, please read all manual instructions carefully before operating. VEVOR reserves a clear interpretation of our user manual. The appearance of the product shall be subject to the product you received. Please forgive us that we won't inform you again if there are any technology or software updates on our product.

	<p>Varning - För att minska risken för skada måste användaren läsa instruktionerna noggrant.</p>
	<p>Denna enhet uppfyller del 15 av FCC-reglerna. Driften är föremål för följande två villkor: (1) Den här enheten får inte orsaka skadliga störningar och (2) den här enheten måste acceptera alla mottagna störningar, inklusive störningar som kan orsaka oönskad funktion.</p>
	<p>Denna produkt omfattas av bestämmelserna i det europeiska direktivet 2012/19/EC. Symbolen som visar en soptunna korsad anger att produkten kräver separat sophämtning i EU. Detta gäller för produkten och alla tillbehör märkta med denna symbol. Produkter märkta som sådana får inte slängas tillsammans med vanligt hushållsavfall, utan måste lämnas till en insamlingsplats för återvinning av elektriska och elektroniska apparater</p>

IMPORTANT NOTES

- Innan installation eller användning är det absolut nödvändigt att användarna noggrant läser och förstå allt varnings- och säkerhetsmeddelanden som medföljer produkten.
- För optimal säkerhet är det lämpligt att installera en säkring mellan Start Batteri och VSR .
- VSR har en inbyggd fördröjning som tillåter 3-5 sekunder för anslutning eller frånkopplingsprocessen.
- VSR är utrustad med en integrerad röd indikator som tänds när VSR är inkopplad, vilket indikerar att båda batterierna är anslutna.
- Individier som är påverkade av alkohol eller droger, saknar erfarenhet, eller
Saknas professionell kunskap är förbjudet att använda denna enhet.
- Undvik att använda eller förvara denna VSR nära värmekällor, öppna lågor eller

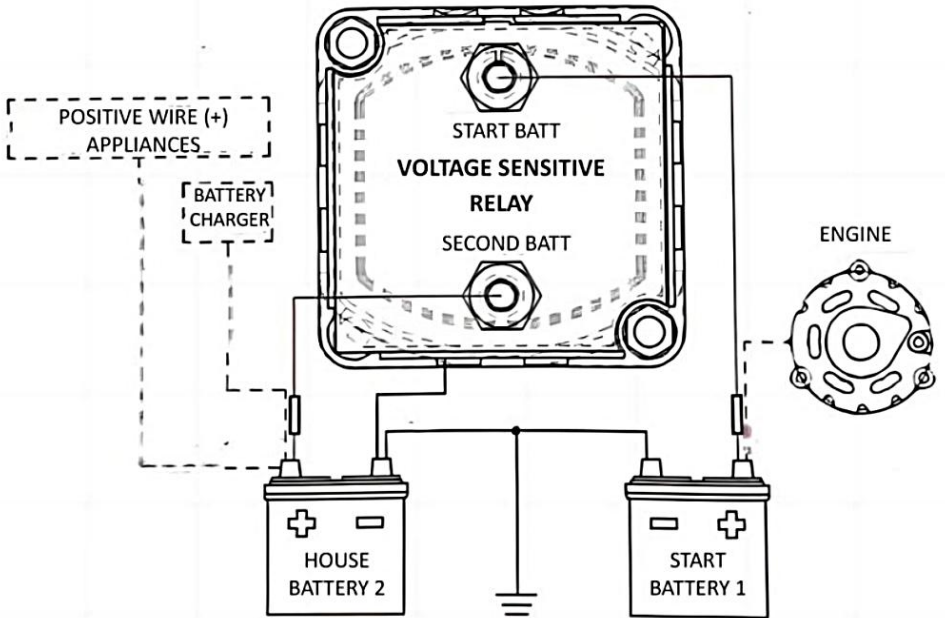
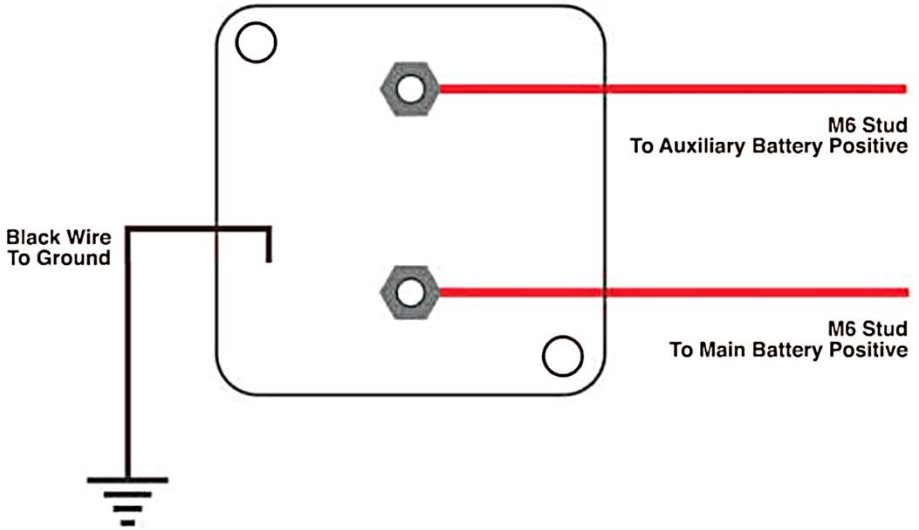
- exponering för brandfarliga kemikalier, ångor eller frätande gaser.
- Undvik att ta isär laddaren, eftersom detta inte bara kan orsaka potential skada dig och enheten men även ogiltigförklara garantin.
 - Koppla bort laddaren innan du påbörjar underhåll eller rengöring.
 - Bär lämpliga ögonskydd innan du påbörjar laddningsprocessen.
 - Ha färskvatten och tvål till hands om batterisyran kommer i kontakt med
e ja i en sådan händelse. Rengör omedelbart med tvål och vatten i minst
15 minuter och sök läkare.
 - Undvik att röka eller ha en öppen gnista eller eld nära denna enhet.
 - Inspektera regelbundet VSR för eventuella skador. Om jag är skadad,
undvik att använda den
tills reparationer har utförts.

IDENTIFICATION OF PARTS



Arbetsstatus led

WIRING INSTRUCTIONS



TECHNICAL SPECIFICATIONS

Voltage	12V
Charging Current	90-120Amp Continuous, 140 Amp Max
Current Draw	Charging 330mA
Cut-in Voltage	13.3V
Cut-out Voltage	12.8V
Cut-out Delay	3-5 Seconds
IP Rating	IP67

TROUBLESHOOTING

PROBLEM	POSSIBLE CAUSE	SUGGESTED SOLUTION
The LED stays off after engine is turned on	The negative wire of the LED is not connected.	Connect the negative wire of the LED.
The LED stays on after engine is turned off	System voltage has not dropped below 12.8V DC due to battery charging. VSR will disengage once residual battery voltage drops below 12.8 V DC.	Give it a few seconds, and the LED light will automatically switch off.
The VSR 'chatters'	Due to an undersized charging system for the batteries, the VSR faces operational challenges. When the start battery reaches the correct voltage and connects to the house battery, the system voltage momentarily drops below 12.8 volts, prompting the relay to automatically disconnect. Subsequently, as the voltage rises, the relay reengages, only to disengage again when the voltage drops, resulting in the distinctive 'chattering' sound as the relay rapidly switches in and out.	Replace the charging system.

ACCESSORIES LIST

85. Spänningskänsligt relä *1
86. 7 AWG röd batterikabel *1
87. 7 AWG Svart batterikabel *1
88. 25-8 kabelände *1
89. 16-8 kabeländar *2
90. Blue Ring Terminal *1
91. Röd krympslang *2
92. Buntband *6
93. M4 x 40 mm skruvar *2
94. M4 x 20 mm skruvar *2
95. Batteriterminaler *3
96. Användarmanual *1



Tillverkare: Shanghaimuxinmuyeyouxiangongsi

Adress : Shuangchenglu 803nong11hao1602A-1609shi, baoshanqu, shanghai 200000 CN.

Importerad till AUS: SIHAO PTY LTD, 1 ROKEVA STREETEASTWOOD NSW 2122 Australien

Importerad till USA: Sanven Technology Ltd., Suite 250, 9166 Anaheim Place, Rancho Cucamonga, CA 91730

EC	REP
-----------	------------

E-CrossStu GmbH
Mainzer Landstr.69, 60329 Frankfurt am Main.

UK	REP
-----------	------------

YH CONSULTING LIMITED.
C/O YH Consulting Limited Office 147, Centurion House,
London Road, Staines-upon-Thames, Surrey, TW18 4AX

VEVOR[®]

TOUGH TOOLS, HALF PRICE

Teknisk Support och e-garanticertifikat

www.vevor.com/support