

# **VEVOR<sup>®</sup>**

## **TOUGH TOOLS, HALF PRICE**

Technical Support and E-Warranty Certificate

[www.vevor.com/support](http://www.vevor.com/support)

## **WALL MOUNTED WORKTABLE USER MANUAL**

**MODEL: PBS-7**

We continue to be committed to provide you tools with competitive price.

"Save Half", "Half Price" or any other similar expressions used by us only represents an estimate of savings you might benefit from buying certain tools with us compared to the major top brands and does not necessarily mean to cover all categories of tools offered by us. You are kindly reminded to verify carefully when you are placing an order with us if you are actually saving half in comparison with the top major brands.

# VEVOR<sup>®</sup>

TOUGH TOOLS, HALF PRICE

WALL MOUNTED  
WORKTABLE

MODEL: PBS-7



(The picture is for reference only; please refer to the actual object)

## NEED HELP? CONTACT US!

Have product questions? Need technical support? Please feel free to contact us:

**Technical Support and E-Warranty Certificate**  
**[www.vevor.com/support](http://www.vevor.com/support)**

This is the original instruction, please read all manual instructions carefully before operating. VEVOR reserves a clear interpretation of our user manual. The appearance of the product shall be subject to the product you received. Please forgive us that we won't inform you again if there are any technology or software updates on our product.

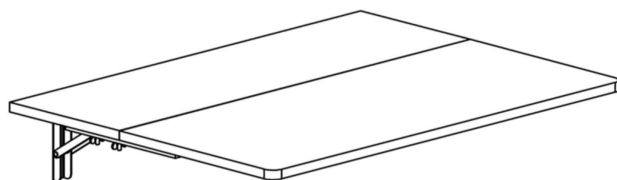
## SAFETY INSTRUCTION AND PRECAUTIONS

### **⚠WARNING:**

Read this material before using this product. Failure to do so can result in serious injury.

1. This product is not a toy. Do not allow children to play with this item.
2. Use as intended only.
3. It is recommended to check whether the support of the worktable is loose when using it.
4. Do not exceed the listed weight capacity.

## PART LIST



Ax1



Bx1



Cx2



Dx2



Ex2



Fx4



Gx4



Hx2



Ix4



Jx4



Kx18



Lx1



Positioning cardboard

## INSTALLATION INSTRUCTION

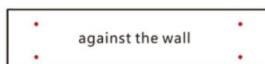
Q: How to solve the hole misalignment?

A: Please do not tighten all the screws until aligning all the holes.

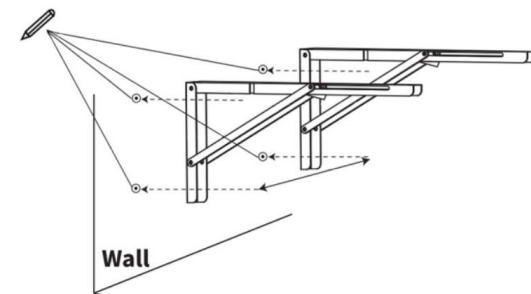
### STEP 1

Note:

Positioning cardboard



Make a mark on the wall as below.

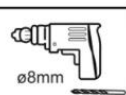
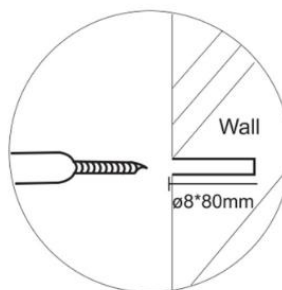
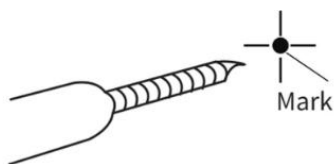


580mm

(Distance from the center of the holes)

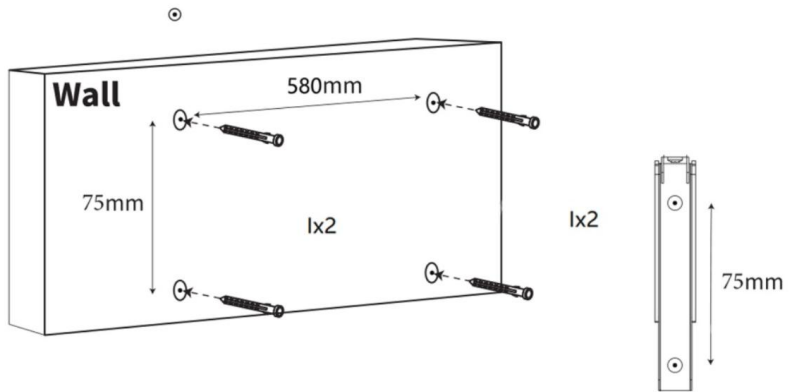
### STEP 2

Note: Drill into the wall.

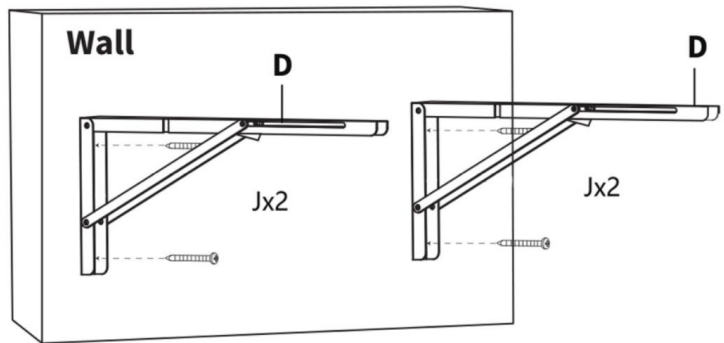


### STEP 3

**Note:** Pay attention to the distance of the holes

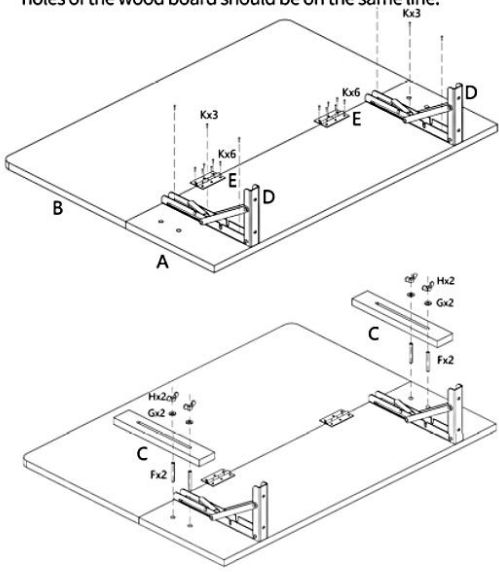


### STEP 4

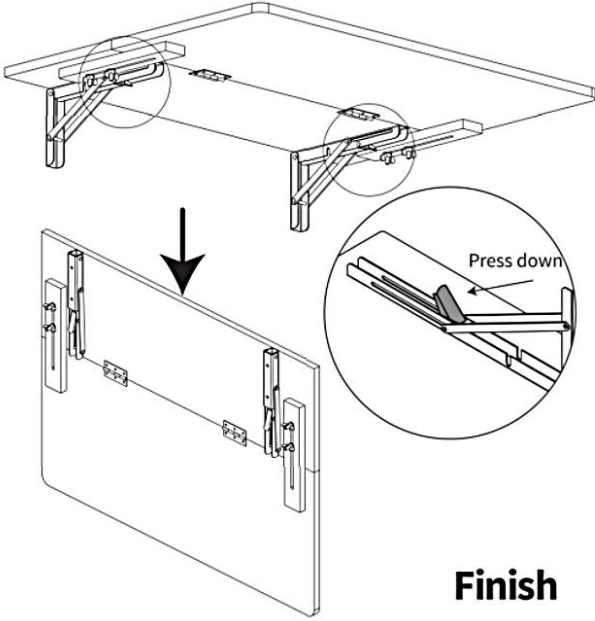


**STEP 5**

**Note:** The mounting holes of the bracket and the mounting holes of the wood board should be on the same line.



**Use Instruction**



**Finish**

	<b>Items</b>	<b>Description</b>
1	Name	Wall Mounted Worktable
2	Model	PBS-7
3	Parameter	Texture: shaving board Size:31.5x23.6inch load-bearing: 50lbs

**VEVOR<sup>®</sup>**

**TOUGH TOOLS, HALF PRICE**

**Technical Support and E-Warranty Certificate**

**[www.vevor.com/support](http://www.vevor.com/support)**

# **VEVOR<sup>®</sup>**

## **TOUGH TOOLS, HALF PRICE**

Assistance technique et certificat de garantie électronique

[www.vevor.com/support](http://www.vevor.com/support)

## **TABLE DE TRAVAIL MURALE MANUEL DE L'UTILISATEUR**

**MODÈLE : PBS-7**

We continue to be committed to provide you tools with competitive price.

"Save Half", "Half Price" or any other similar expressions used by us only represents an estimate of savings you might benefit from buying certain tools with us compared to the major top brands and does not necessarily mean to cover all categories of tools offered by us. You are kindly reminded to verify carefully when you are placing an order with us if you are actually saving half in comparison with the top major brands.

# VEVOR®

TOUGH TOOLS, HALF PRICE

WALL MOUNTED  
WORKTABLE

MODÈLE: PBS-7



(L'image est uniquement à titre de référence ; veuillez vous référer à l'objet réel)

## NEED HELP? CONTACT US!

Have product questions? Need technical support? Please feel free to contact us:

**Technical Support and E-Warranty Certificate**  
**[www.vevor.com/support](http://www.vevor.com/support)**

This is the original instruction, please read all manual instructions carefully before operating. VEVOR reserves a clear interpretation of our user manual. The appearance of the product shall be subject to the product you received. Please forgive us that we won't inform you again if there are any technology or software updates on our product.

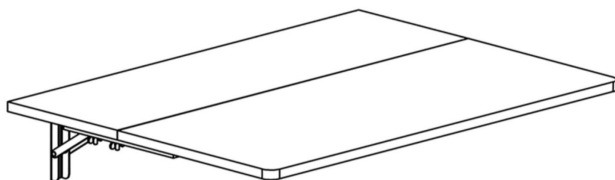
## SAFETY INSTRUCTION AND PRECAUTIONS

### **⚠️ AVERTISSEMENT:**

Lisez ce document avant d'utiliser ce produit. Ne pas le faire peut entraîner des blessures graves.

1. Ce produit n'est pas un jouet. Ne laissez pas les enfants jouer avec cet article.
2. Utiliser uniquement comme prévu.
3. Il est recommandé de vérifier si le support de la table de travail est lâche lors de son utilisation.
4. Ne dépassez pas la capacité de poids indiquée.

## PART LIST



Ax1



Bx1



Cx2



Dx2



Ex2



Fx4



Gx4



Hx2



Ix4



Jx4



Kx18



Lx1



Positioning cardboard

## INSTALLATION INSTRUCTION

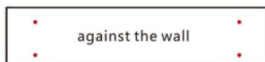
Question : Comment résoudre le désalignement des trous ?

R : Veuillez ne pas serrer toutes les vis avant d'avoir aligné tous les trous.

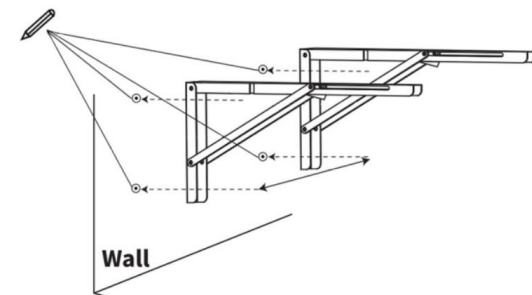
### STEP 1

Note:

Positioning cardboard



Make a mark on the wall as below.

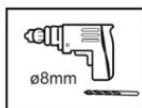
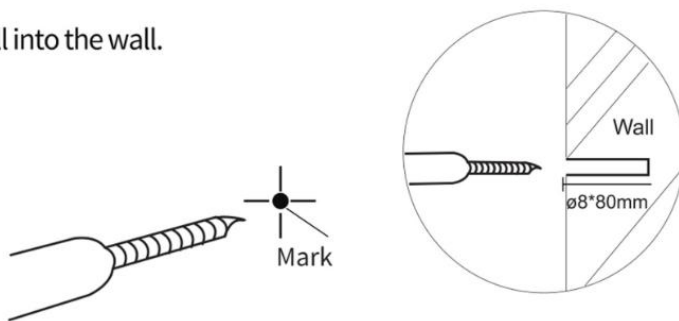


580mm

(Distance from the center of the holes)

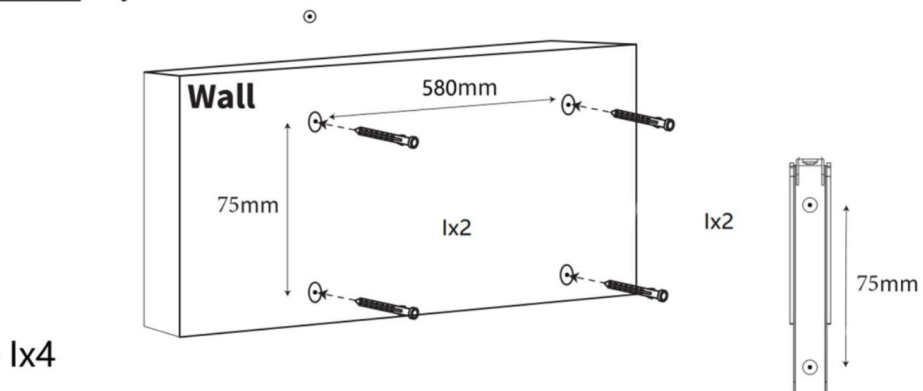
## STEP 2

**Note:** Drill into the wall.

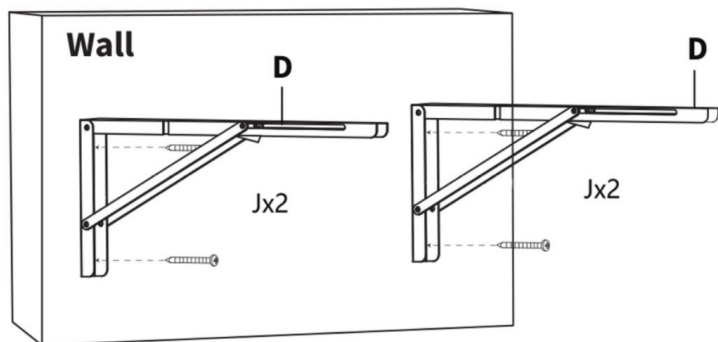


## STEP 3

**Note:** Pay attention to the distance of the holes



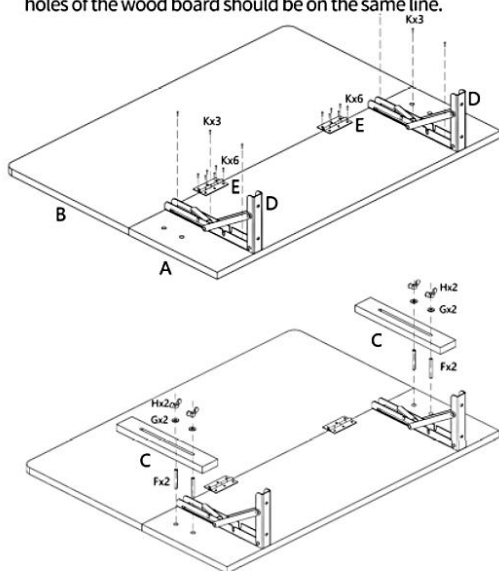
## STEP 4



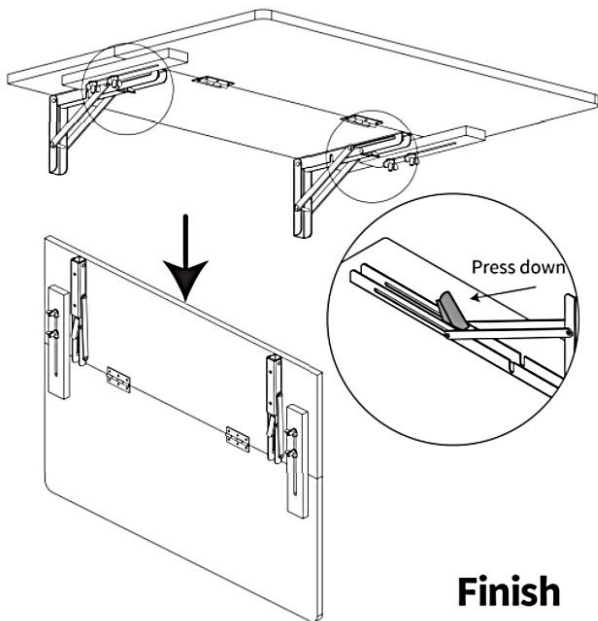
Dx2  
Jx4

## STEP 5

**Note:** The mounting holes of the bracket and the mounting holes of the wood board should be on the same line.



# Use Instruction



	Articles	Description
1	Nom	Table de travail murale
2	Modèle	PBS-7
3	Paramètre	Texture : planche à raser Taille:31,5x23,6 pouces porteur: 50lbs

**VEVOR<sup>®</sup>**

**TOUGH TOOLS, HALF PRICE**

**Assistance technique et certificat de garantie électronique**

**[www.vevor.com/support](http://www.vevor.com/support)**

# **VEVOR<sup>®</sup>**

## **TOUGH TOOLS, HALF PRICE**

Zertifikat für technischen Support und E-Garantie

[www.vevor.com/support](http://www.vevor.com/support)

# **WANDMONTIERTER ARBEITSTISCH BENUTZERHANDBUCH**

**MODELL: PBS-7**

We continue to be committed to provide you tools with competitive price.

"Save Half", "Half Price" or any other similar expressions used by us only represents an estimate of savings you might benefit from buying certain tools with us compared to the major top brands and does not necessarily mean to cover all categories of tools offered by us. You are kindly reminded to verify carefully when you are placing an order with us if you are actually saving half in comparison with the top major brands.

# VEVOR®

TOUGH TOOLS, HALF PRICE

WALL MOUNTED  
WORKTABLE

MODELL: PBS-7



(Das Bild dient nur als Referenz; bitte beziehen Sie sich auf das tatsächliche Objekt)

## NEED HELP? CONTACT US!

Have product questions? Need technical support? Please feel free to contact us:

**Technical Support and E-Warranty Certificate**  
[www.vevor.com/support](http://www.vevor.com/support)

This is the original instruction, please read all manual instructions carefully before operating. VEVOR reserves a clear interpretation of our user manual. The appearance of the product shall be subject to the product you received. Please forgive us that we won't inform you again if there are any technology or software updates on our product.

## SAFETY INSTRUCTION AND PRECAUTIONS

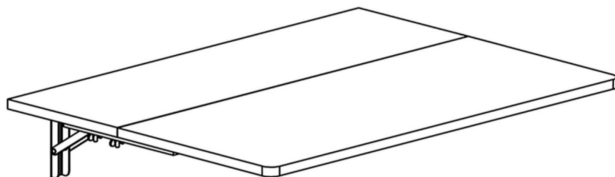
### **⚠️ WARNUNG:**

Lesen Sie dieses Material, bevor Sie dieses Produkt verwenden.

Andernfalls kann es zu schweren Verletzungen kommen.

1. Dieses Produkt ist kein Spielzeug. Erlauben Sie Kindern nicht, mit diesem Artikel zu spielen.
2. Nur bestimmungsgemäß verwenden.
3. Es wird empfohlen, die Unterstützung des Arbeitstisches zu überprüfen, wenn es verwendet wird.
4. Überschreiten Sie nicht die angegebene Gewichtskapazität.

## PART LIST



Ax1



Bx1



Cx2



Dx2



Ex2



Fx4



Gx4



Hx2



Ix4



Jx4



Kx18



Lx1



Positioning cardboard

## INSTALLATION INSTRUCTION

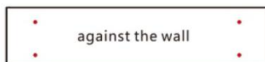
Q: Wie kann die Lochfehlausrichtung behoben werden?

A: Bitte ziehen Sie nicht alle Schrauben fest, bis alle Löcher ausgerichtet sind.

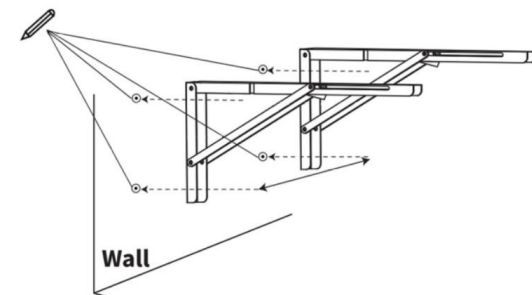
### STEP 1

Note:

Positioning cardboard



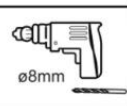
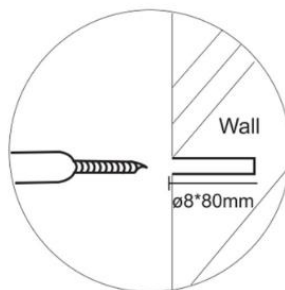
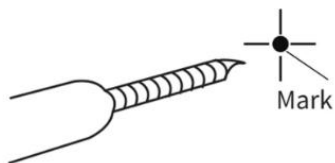
Make a mark on the wall as below.



580mm  
(Distance from the center of the holes)

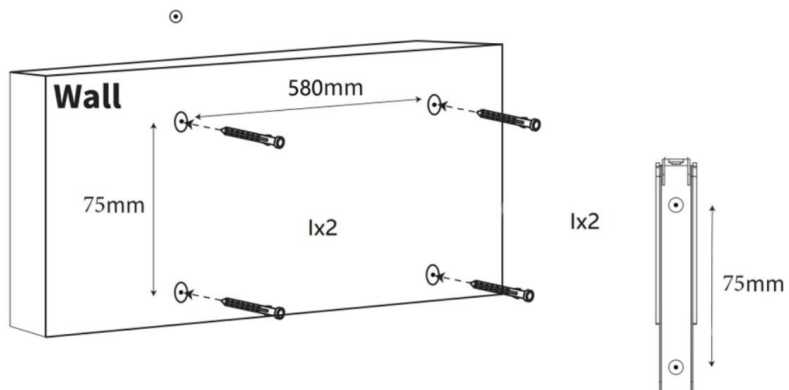
## STEP 2

**Note:** Drill into the wall.

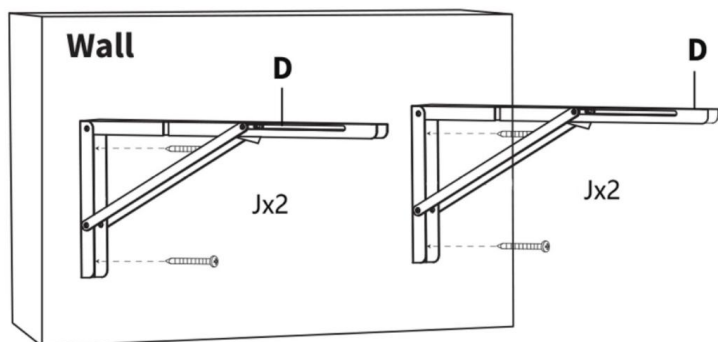


## STEP 3

**Note:** Pay attention to the distance of the holes



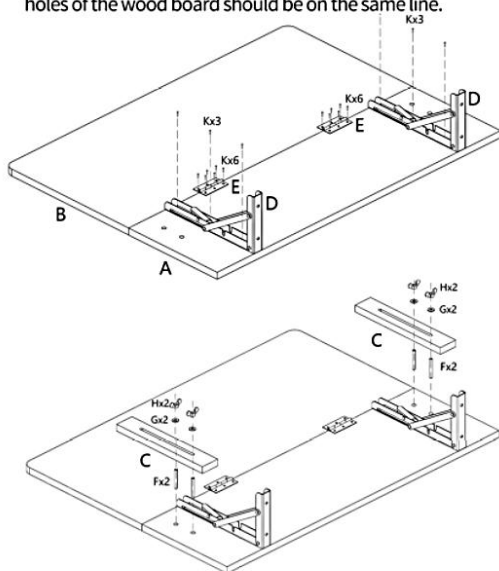
## STEP 4



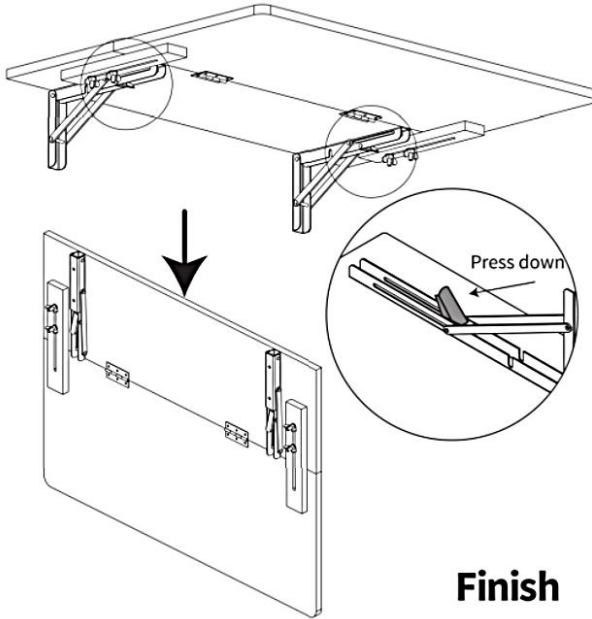
Dx2  
Jx4

## STEP 5

**Note:** The mounting holes of the bracket and the mounting holes of the wood board should be on the same line.



# Use Instruction



	Artikel	Beschreibung
1	Name	Wandmontierter Arbeitstisch
2	Modell	PBS-7
3	Parameter	Textur: Rasierbrett Größe: 31,5 x 23,6 Zoll Tragfähigkeit: 50 Pfund

**VEVOR<sup>®</sup>**

**TOUGH TOOLS, HALF PRICE**

**Zertifikat für technischen Support und E-Garantie**

**[www.vevor.com/support](http://www.vevor.com/support)**

# **VEVOR<sup>®</sup>**

## **TOUGH TOOLS, HALF PRICE**

Supporto tecnico e certificato di garanzia elettronica

[www.vevor.com/support](http://www.vevor.com/support)

## **TAVOLO DA LAVORO A PARETE MANUALE D'USO**

**MODELLO: PBS-7**

We continue to be committed to provide you tools with competitive price.

"Save Half", "Half Price" or any other similar expressions used by us only represents an estimate of savings you might benefit from buying certain tools with us compared to the major top brands and does not necessarily mean to cover all categories of tools offered by us. You are kindly reminded to verify carefully when you are placing an order with us if you are actually saving half in comparison with the top major brands.

**MODELLO: PBS-7**



(L'immagine è solo di riferimento; fare riferimento all'oggetto reale)

### **NEED HELP? CONTACT US!**

Have product questions? Need technical support? Please feel free to contact us:

**Technical Support and E-Warranty Certificate**  
**[www.vevor.com/support](http://www.vevor.com/support)**

This is the original instruction, please read all manual instructions carefully before operating. VEVOR reserves a clear interpretation of our user manual. The appearance of the product shall be subject to the product you received. Please forgive us that we won't inform you again if there are any technology or software updates on our product.

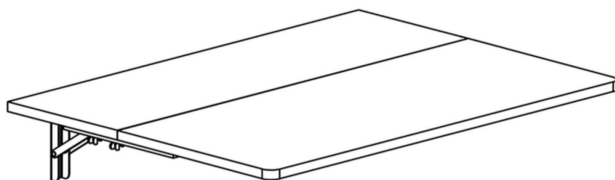
## SAFETY INSTRUCTION AND PRECAUTIONS

### **⚠️ AVVERTIMENTO:**

Leggere questo materiale prima di utilizzare questo prodotto. In caso contrario si potrebbero causare lesioni gravi.

1. Questo prodotto non è un giocattolo. Non permettere ai bambini di giocare con questo oggetto.
2. Utilizzare solo come previsto.
3. Si consiglia di verificare se il supporto del piano di lavoro è allentato quando lo si utilizza.
4. Non superare la capacità di peso indicata.

## PART LIST



Ax1



Bx1



Cx2



Dx2



Ex2



Fx4



Gx4



Hx2



Ix4



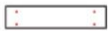
Jx4



Kx18



Lx1



Positioning cardboard

## INSTALLATION INSTRUCTION

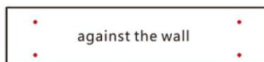
Q: Come risolvere il disallineamento dei fori?

R: Si prega di non stringere tutte le viti finché non si allineano tutti i fori.

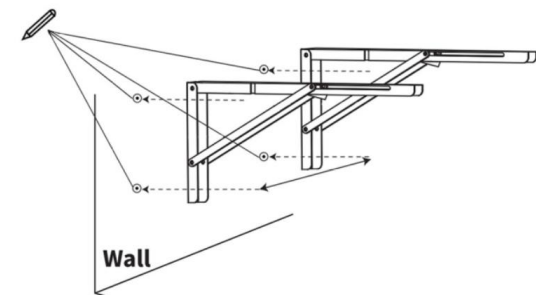
### STEP 1

Note:

Positioning cardboard



Make a mark on the wall as below.

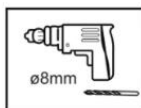
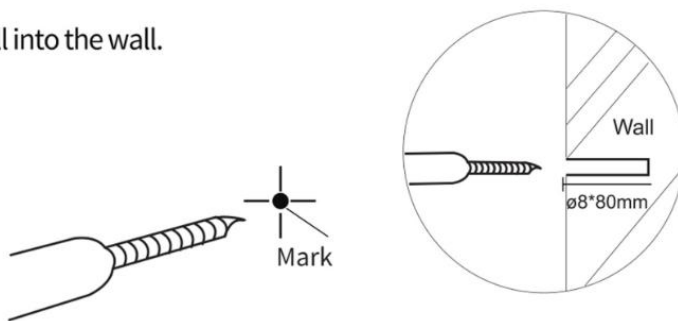


580mm

(Distance from the center of the holes)

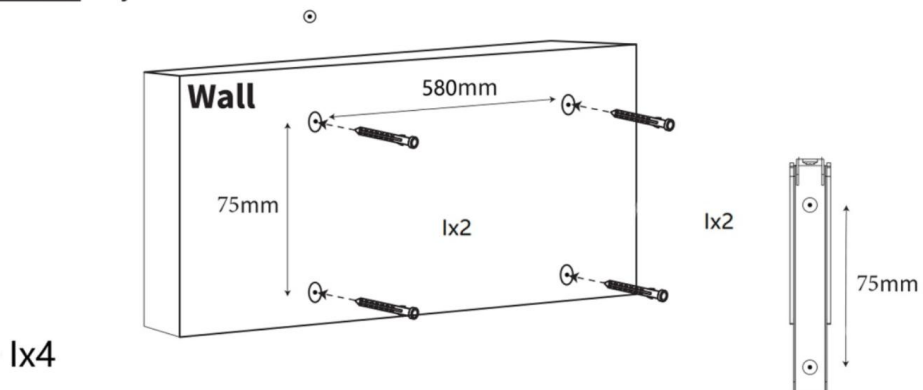
## STEP 2

**Note:** Drill into the wall.

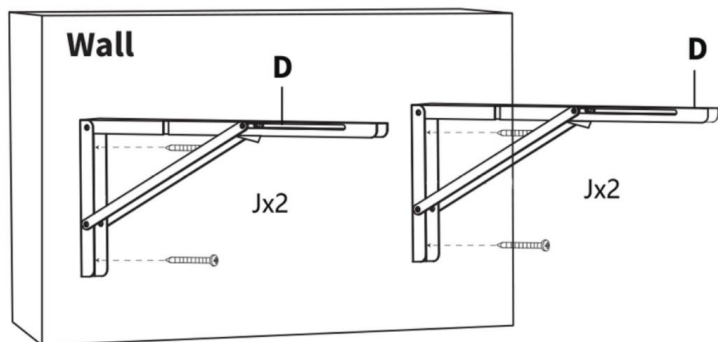


## STEP 3

**Note:** Pay attention to the distance of the holes



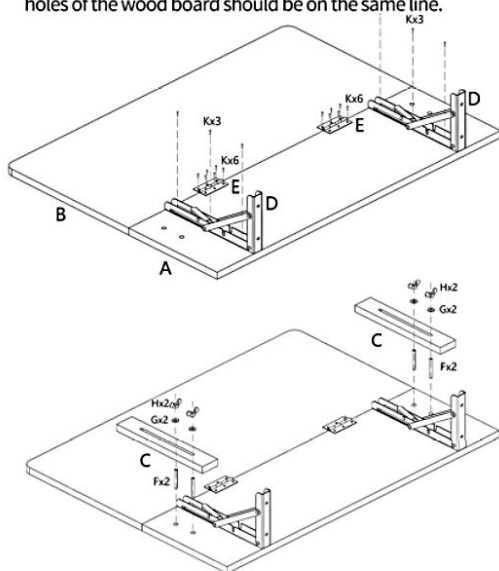
## STEP 4



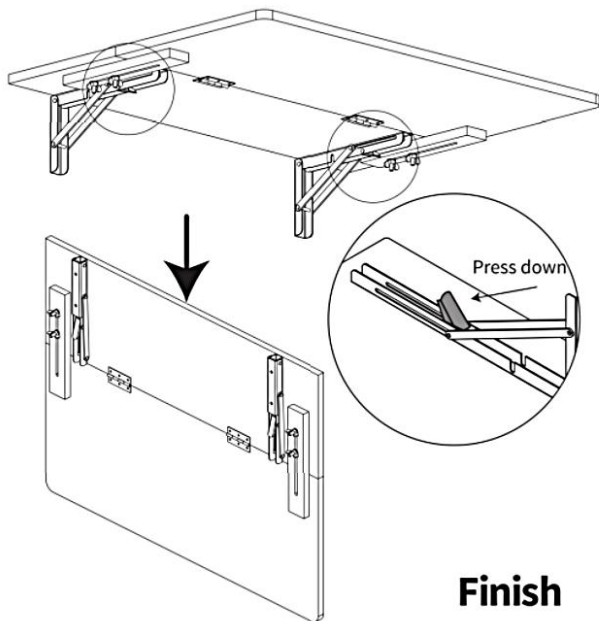
Dx2  
Jx4

## STEP 5

**Note:** The mounting holes of the bracket and the mounting holes of the wood board should be on the same line.



# Use Instruction



	<b>Elementi</b>	<b>Descrizione</b>
1	Nome	Tavolo da lavoro a parete
2	Modello	PBS-7
3	Parametro	Texture: tagliere Dimensioni: 31,5x23,6 pollici portante: 50 libbre

**VEVOR<sup>®</sup>**

**TOUGH TOOLS, HALF PRICE**

**Supporto tecnico e certificato di garanzia elettronica**

**[www.vevor.com/support](http://www.vevor.com/support)**

# **VEVOR<sup>®</sup>**

## **TOUGH TOOLS, HALF PRICE**

Soporte técnico y certificado de garantía electrónica

[www.vevor.com/support](http://www.vevor.com/support)

# **MESA DE TRABAJO MONTADA EN LA PARED MANUAL DE USUARIO**

**MODELO: PBS-7**

We continue to be committed to provide you tools with competitive price.

"Save Half", "Half Price" or any other similar expressions used by us only represents an estimate of savings you might benefit from buying certain tools with us compared to the major top brands and does not necessarily mean to cover all categories of tools offered by us. You are kindly reminded to verify carefully when you are placing an order with us if you are actually saving half in comparison with the top major brands.

# VEVOR®

TOUGH TOOLS, HALF PRICE

WALL MOUNTED  
WORKTABLE

MODELO: PBS-7



(La imagen es solo para referencia; consulte el objeto real)

## NEED HELP? CONTACT US!

Have product questions? Need technical support? Please feel free to contact us:

**Technical Support and E-Warranty Certificate**  
**[www.vevor.com/support](http://www.vevor.com/support)**

This is the original instruction, please read all manual instructions carefully before operating. VEVOR reserves a clear interpretation of our user manual. The appearance of the product shall be subject to the product you received. Please forgive us that we won't inform you again if there are any technology or software updates on our product.

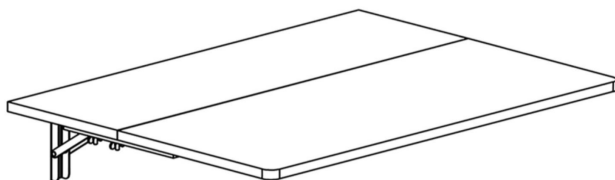
## SAFETY INSTRUCTION AND PRECAUTIONS

### **⚠️ ADVERTENCIA:**

Lea este material antes de usar este producto. De lo contrario, se pueden producir lesiones graves.

1. Este producto no es un juguete. No permita que los niños jueguen con este artículo.
2. Úselo únicamente según lo previsto.
3. Se recomienda comprobar si el soporte de la mesa de trabajo queda suelto al usarlo.
4. No exceda la capacidad de peso indicada.

## PART LIST



Ax1



Bx1



Cx2



Dx2



Ex2



Fx4



Gx4



Hx2



Ix4



Jx4



Kx18



Lx1



Positioning cardboard

## INSTALLATION INSTRUCTION

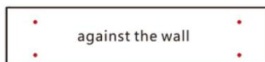
P: ¿Cómo solucionar la desalineación del agujero?

R: No apriete todos los tornillos hasta alinear todos los orificios.

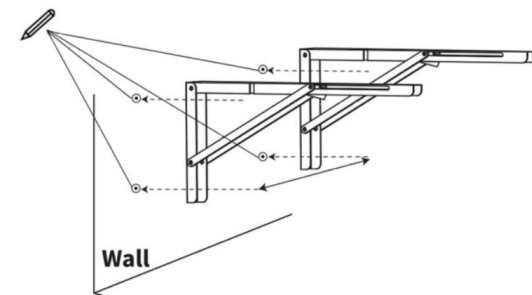
### STEP 1

Note:

Positioning cardboard



Make a mark on the wall as below.

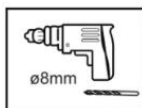
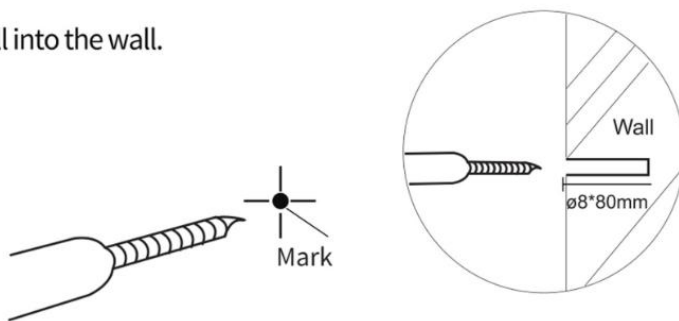


580mm

(Distance from the center of the holes)

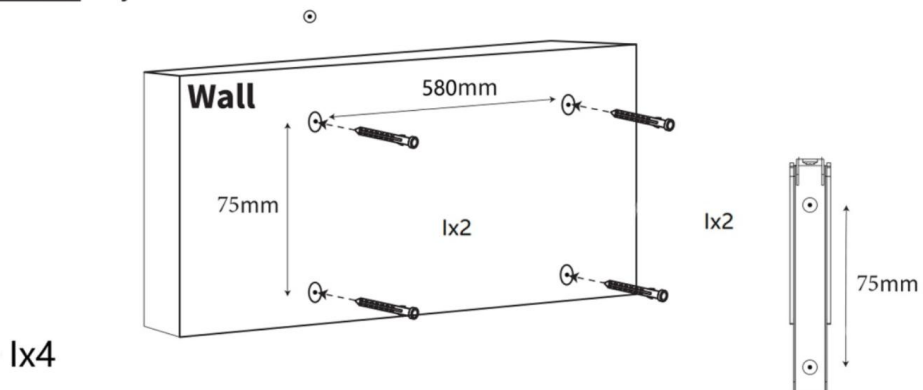
## STEP 2

**Note:** Drill into the wall.

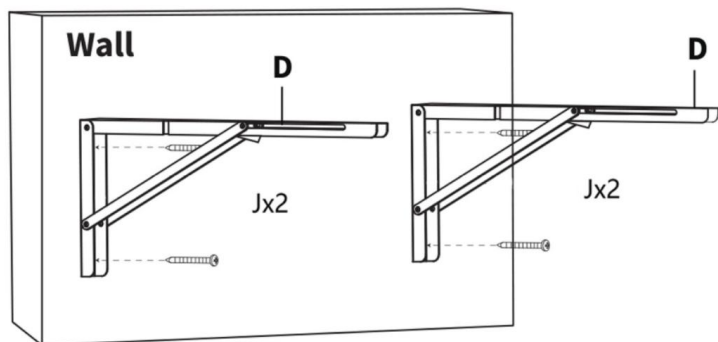


## STEP 3

**Note:** Pay attention to the distance of the holes



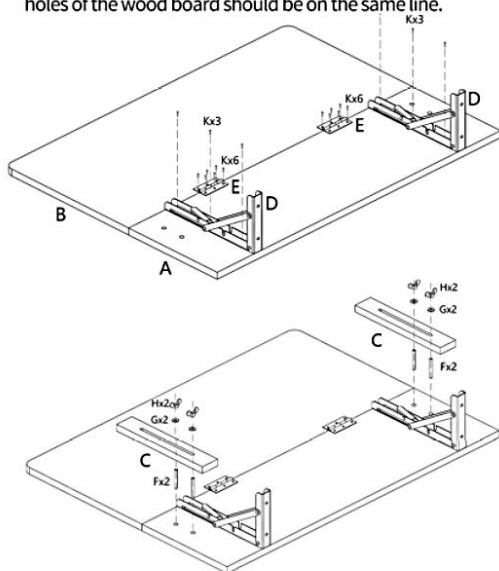
## STEP 4



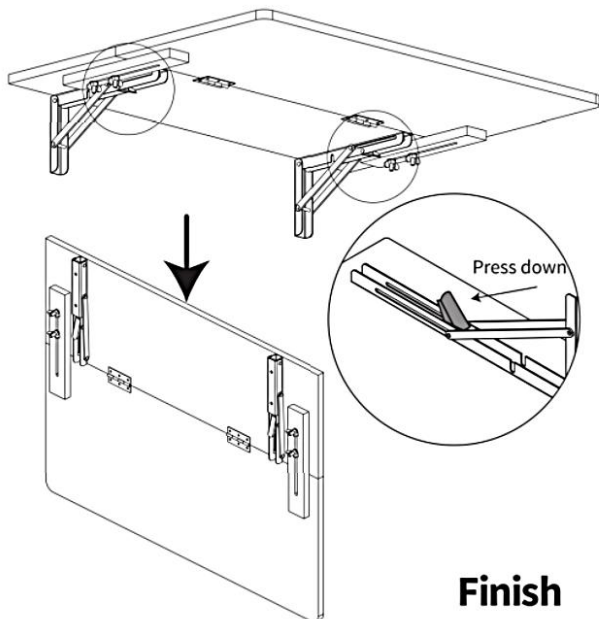
Dx2  
Jx4

## STEP 5

**Note:** The mounting holes of the bracket and the mounting holes of the wood board should be on the same line.



# Use Instruction



	<b>Elementos</b>	<b>Descripción</b>
1	Nombre	Mesa de trabajo montada en la pared
2	Modelo	PBS-7
3	Parámetro	Textura: tabla de afeitarse Tamaño: 31,5x23,6 pulgadas soporte de carga: 50 libras

**VEVOR<sup>®</sup>**

**TOUGH TOOLS, HALF PRICE**

**Soporte técnico y certificado de garantía electrónica**

**[www.vevor.com/support](http://www.vevor.com/support)**

# **VEVOR<sup>®</sup>**

## **TOUGH TOOLS, HALF PRICE**

Wsparcie techniczne i certyfikat e-gwarancji

[www.vevor.com/support](http://www.vevor.com/support)

# **STÓŁ ROBOCZY MONTOWANY NA ŚCIANIE INSTRUKCJA OBSŁUGI**

**MODEL: PBS-7**

We continue to be committed to provide you tools with competitive price.

"Save Half", "Half Price" or any other similar expressions used by us only represents an estimate of savings you might benefit from buying certain tools with us compared to the major top brands and does not necessarily mean to cover all categories of tools offered by us. You are kindly reminded to verify carefully when you are placing an order with us if you are actually saving half in comparison with the top major brands.

# VEVOR®

TOUGH TOOLS, HALF PRICE

WALL MOUNTED  
WORKTABLE

MODEL: PBS-7



(Zdjęcie ma charakter wyłącznie poglądowy; proszę zapoznać się z rzeczywistym obiektem)

## NEED HELP? CONTACT US!

Have product questions? Need technical support? Please feel free to contact us:

**Technical Support and E-Warranty Certificate**  
[www.vevor.com/support](http://www.vevor.com/support)

This is the original instruction, please read all manual instructions carefully before operating. VEVOR reserves a clear interpretation of our user manual. The appearance of the product shall be subject to the product you received. Please forgive us that we won't inform you again if there are any technology or software updates on our product.

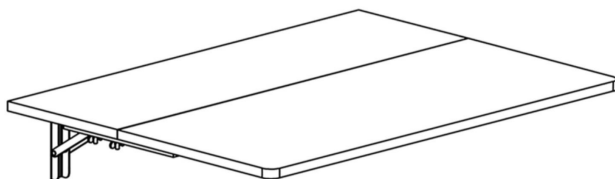
## SAFETY INSTRUCTION AND PRECAUTIONS

### **⚠️ OSTRZEŻENIE:**

Przeczytaj ten materiał przed użyciem tego produktu. Niezastosowanie się do tego może spowodować poważne obrażenia.

1. Ten produkt nie jest zabawką. Nie pozwalaj dzieciom bawić się tym przedmiotem.
2. Używaj wyłącznie zgodnie z przeznaczeniem.
3. Zaleca się sprawdzenie, czy stół roboczy jest podparty jest luźny podczas używania.
4. Nie przekraczaj podanego udźwigu.

## PART LIST



Ax1



Bx1



Cx2



Dx2



Ex2



Fx4



Gx4



Hx2



Ix4



Jx4



Kx18



Lx1



Positioning cardboard

## INSTALLATION INSTRUCTION

Q: Jak rozwiązać problem niewspółosiowości otworów?

Odp.: Nie dokręcaj wszystkich śrub, dopóki wszystkie otwory nie zostaną wyrównane.

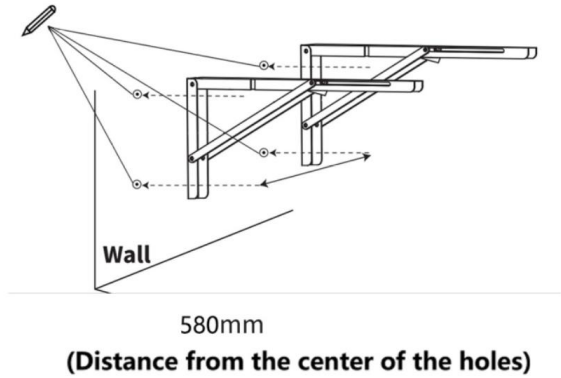
## STEP 1

Note:

Positioning cardboard

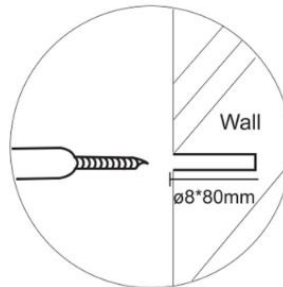
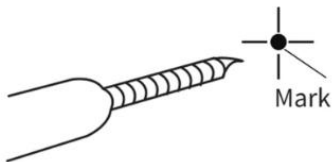
against the wall

Make a mark on the wall as below.



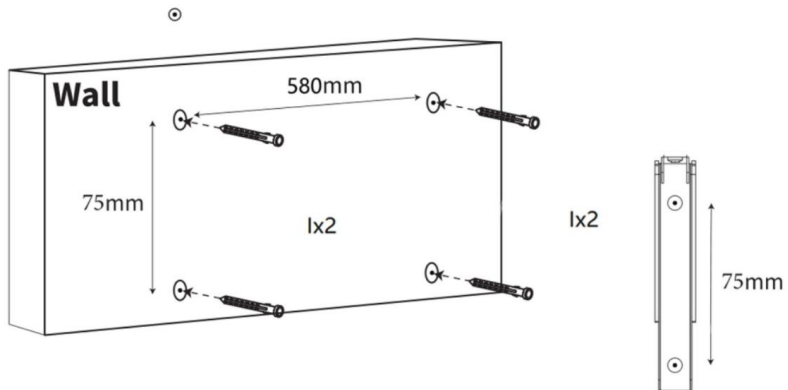
## STEP 2

Note: Drill into the wall.

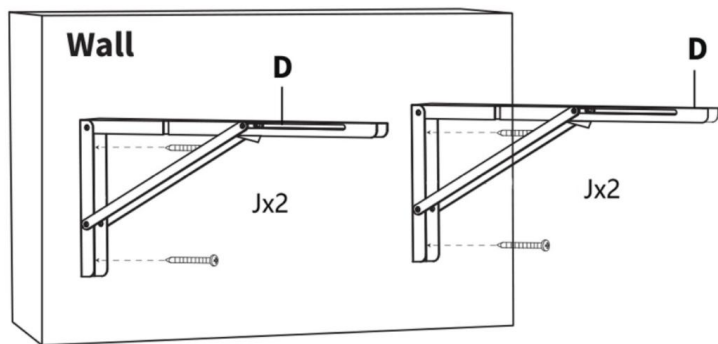


### STEP 3

**Note:** Pay attention to the distance of the holes



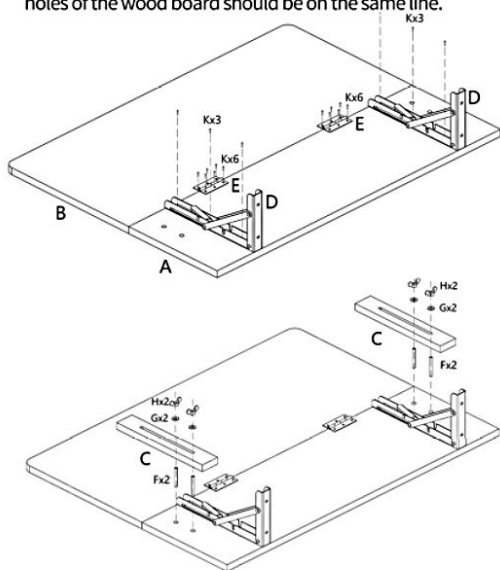
### STEP 4



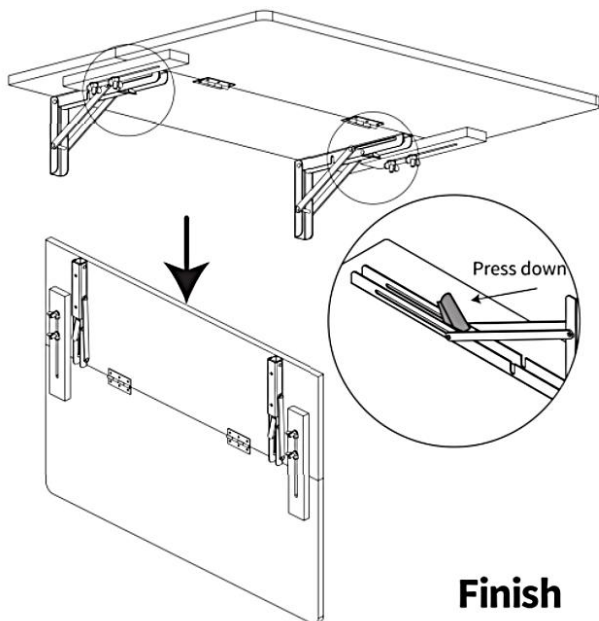
**Dx2**  
**Jx4**

## STEP 5

**Note:** The mounting holes of the bracket and the mounting holes of the wood board should be on the same line.



# Use Instruction



## Finish

	<b>Rzeczy</b>	<b>Opis</b>
1	Nazwa	Stół roboczy montowany na ścianie
2	Model	PBS-7
3	Parametr	Tekstura: deska do golenia Rozmiar: 31,5 x 23,6 cala nośność: 50 funtów

**VEVOR<sup>®</sup>**

**TOUGH TOOLS, HALF PRICE**

**Wsparcie techniczne i certyfikat e-gwarancji**

**[www.vevor.com/support](http://www.vevor.com/support)**

# **VEVOR<sup>®</sup>**

## **TOUGH TOOLS, HALF PRICE**

Technische ondersteuning en e-garantiecertificaat

[www.vevor.com/support](http://www.vevor.com/support)

# **WANDGEMONTEERDE WERKTAFEL HANDLEIDING**

**MODEL: PBS-7**

We continue to be committed to provide you tools with competitive price.

"Save Half", "Half Price" or any other similar expressions used by us only represents an estimate of savings you might benefit from buying certain tools with us compared to the major top brands and does not necessarily mean to cover all categories of tools offered by us. You are kindly reminded to verify carefully when you are placing an order with us if you are actually saving half in comparison with the top major brands.

**MODEL: PBS-7**



(De afbeelding is alleen ter referentie; raadpleeg het werkelijke object)

### **NEED HELP? CONTACT US!**

Have product questions? Need technical support? Please feel free to contact us:

**Technical Support and E-Warranty Certificate**  
**[www.vevor.com/support](http://www.vevor.com/support)**

This is the original instruction, please read all manual instructions carefully before operating. VEVOR reserves a clear interpretation of our user manual. The appearance of the product shall be subject to the product you received. Please forgive us that we won't inform you again if there are any technology or software updates on our product.

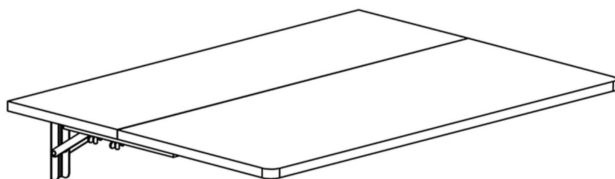
## SAFETY INSTRUCTION AND PRECAUTIONS

### ⚠WAARSCHUWING:

Lees dit materiaal voordat u dit product gebruikt. Als u dit niet doet, kan dit leiden tot ernstig letsel.

1. Dit product is geen speelgoed. Laat kinderen niet met dit artikel spelen.
2. Alleen gebruiken zoals bedoeld.
3. Het wordt aanbevolen om te controleren of de werktafel wordt ondersteund zit los bij gebruik.
4. Overschrijd het vermelde draagvermogen niet.

## PART LIST



Ax1



Bx1



Cx2



Dx2



Ex2



Fx4



Gx4



Hx2



Ix4



Jx4



Kx18



Lx1



Positioning cardboard

## INSTALLATION INSTRUCTION

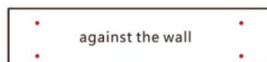
Q: Hoe de verkeerde uitlijning van het gat oplossen?

A: Draai alle schroeven pas vast als alle gaten zijn uitgelijnd.

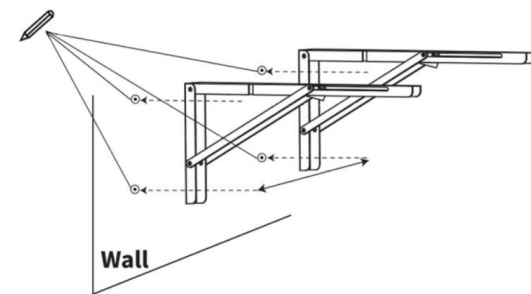
### STEP 1

Note:

Positioning cardboard



Make a mark on the wall as below.

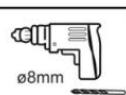
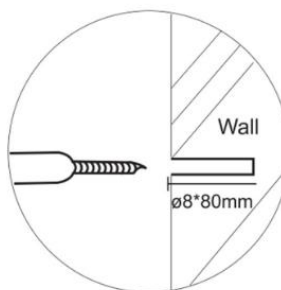
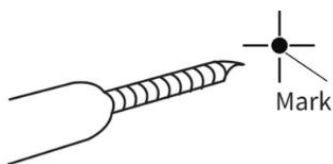


580mm

(Distance from the center of the holes)

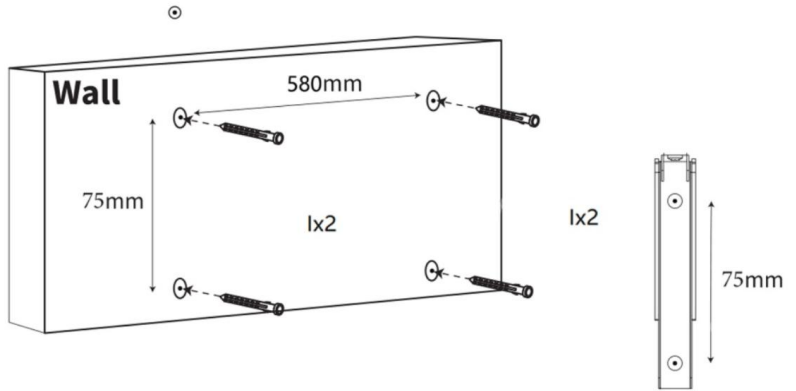
### STEP 2

Note: Drill into the wall.

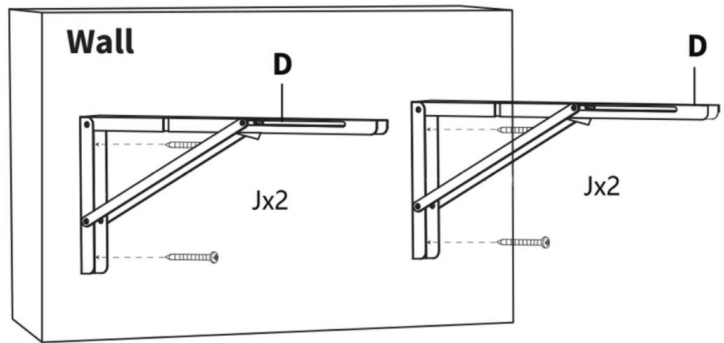


### STEP 3

**Note:** Pay attention to the distance of the holes

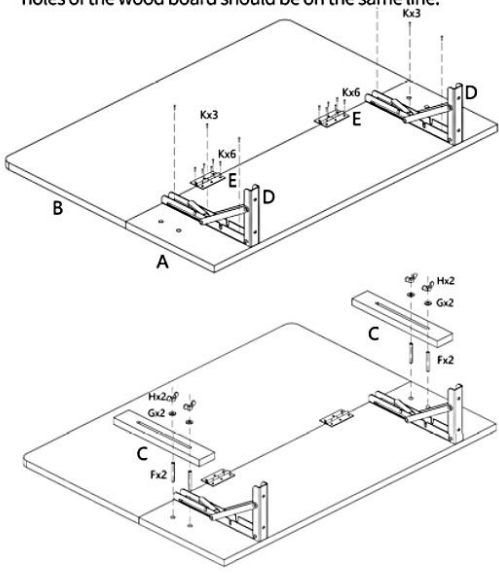


### STEP 4

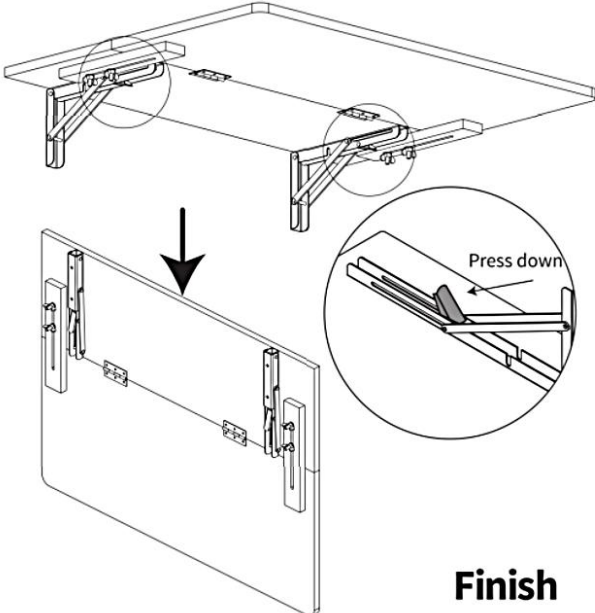


**STEP 5**

**Note:** The mounting holes of the bracket and the mounting holes of the wood board should be on the same line.



**Use Instruction**



**Finish**

	<b>Artikelen</b>	<b>Beschrijving</b>
1	Naam	Wandgemonteerde werktafel
2	Model	PBS-7
3	Parameter	Textuur: scheerplank Grootte: 31,5x23,6 inch draagvermogen: 50 pond

**VEVOR<sup>®</sup>**

**TOUGH TOOLS, HALF PRICE**

**Technische ondersteuning en e-garantiecertificaat**

**[www.vevor.com/support](http://www.vevor.com/support)**

# **VEVOR<sup>®</sup>**

## **TOUGH TOOLS, HALF PRICE**

Teknisk support och e-garanticertifikat

[www.vevor.com/support](http://www.vevor.com/support)

# **VÄGGMONTERAT ARBETSBORD ANVÄNDARMANUAL**

**MODELL: PBS-7**

We continue to be committed to provide you tools with competitive price.

"Save Half", "Half Price" or any other similar expressions used by us only represents an estimate of savings you might benefit from buying certain tools with us compared to the major top brands and does not necessarily mean to cover all categories of tools offered by us. You are kindly reminded to verify carefully when you are placing an order with us if you are actually saving half in comparison with the top major brands.

# VEVOR®

TOUGH TOOLS, HALF PRICE

WALL MOUNTED  
WORKTABLE

MODELL: PBS-7



(Bilden är endast för referens; vänligen hänvisa till det faktiska objektet)

## NEED HELP? CONTACT US!

Have product questions? Need technical support? Please feel free to contact us:

**Technical Support and E-Warranty Certificate**  
**[www.vevor.com/support](http://www.vevor.com/support)**

This is the original instruction, please read all manual instructions carefully before operating. VEVOR reserves a clear interpretation of our user manual. The appearance of the product shall be subject to the product you received. Please forgive us that we won't inform you again if there are any technology or software updates on our product.

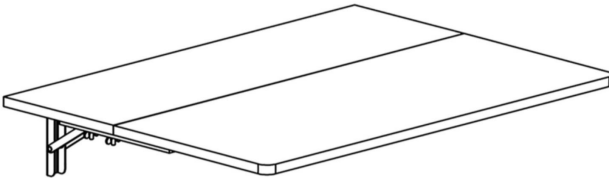
## SAFETY INSTRUCTION AND PRECAUTIONS

### **⚠️WARNING:**

Läs detta material innan du använder denna produkt. Underlåtenhet att göra det kan resultera i allvarliga skador.

1. Denna produkt är inte en leksak. Tillåt inte barn att leka med detta föremål.
2. Använd endast på avsett sätt.
3. Det rekommenderas att kontrollera om arbetsbordets stöd är löst när du använder den.
4. Överskrid inte den angivna viktkapaciteten.

## PART LIST



Ax1



Bx1



Cx2



Dx2



Ex2



Fx4



Gx4



Hx2



Ix4



Jx4



Kx18



Lx1



Positioning cardboard

## INSTALLATION INSTRUCTION

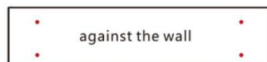
F: Hur löser man hålfelet?

S: Dra inte åt alla skruvar förrän alla hål är inriktade.

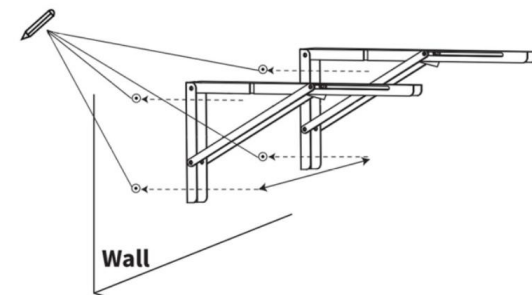
### STEP 1

Note:

Positioning cardboard



Make a mark on the wall as below.

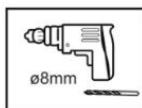
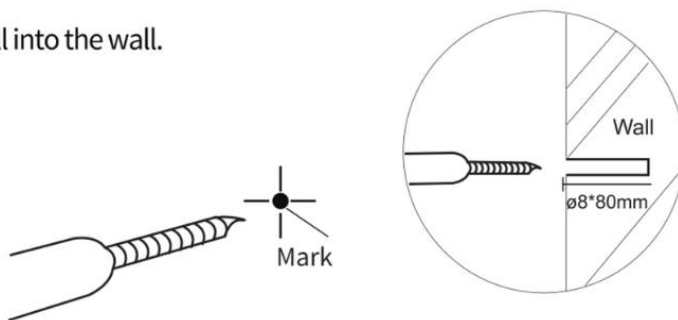


580mm

(Distance from the center of the holes)

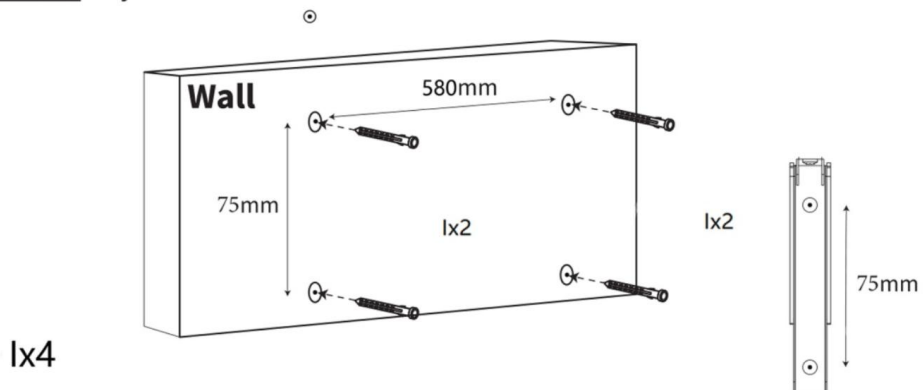
## STEP 2

**Note:** Drill into the wall.

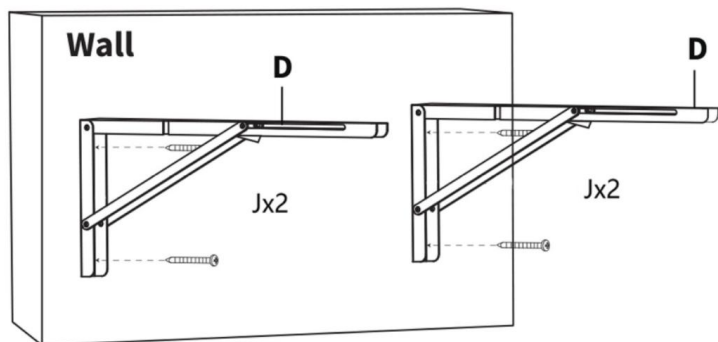


## STEP 3

**Note:** Pay attention to the distance of the holes



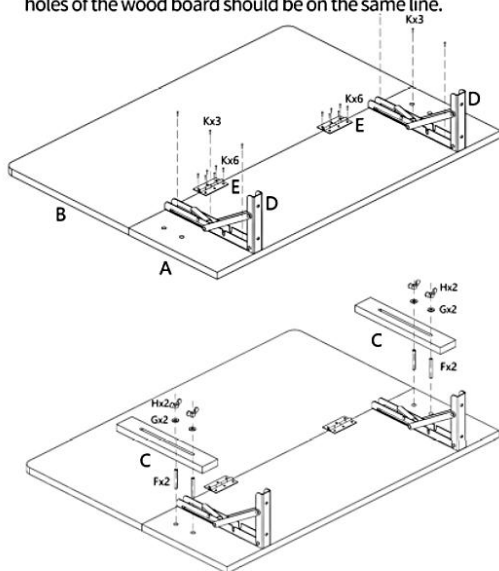
## STEP 4



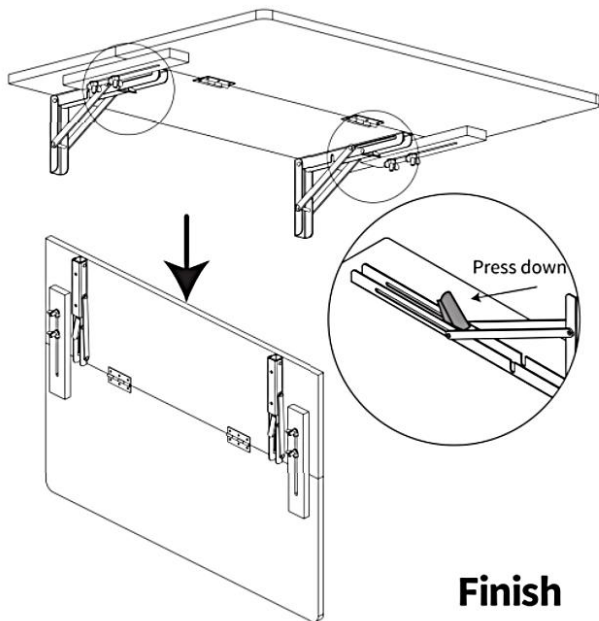
Dx2  
Jx4

## STEP 5

**Note:** The mounting holes of the bracket and the mounting holes of the wood board should be on the same line.



# Use Instruction



	<b>Föremål</b>	<b>Beskrivning</b>
1	namn	Väggmonterat arbetsbord
2	Modell	PBS-7
3	Parameter	Textur: rakbräda Storlek: 31,5 x 23,6 tum lastbärande: 50lbs

**VEVOR<sup>®</sup>**

**TOUGH TOOLS, HALF PRICE**

**Teknisk support och e-garanticertifikat**

**[www.vevor.com/support](http://www.vevor.com/support)**