

VEVOR[®]

TOUGH TOOLS, HALF PRICE

Technical Support and E-Warranty Certificate
www.vevor.com/support

WORKBENCH TOP USER'S MANUAL

**Model: KLWT-01, KLWT-02, KLWT-03,
KLWT-04, KLWT-05, KLWT-06**

We continue to be committed to provide you tools with competitive price. "Save Half", "Half Price" or any other similar expressions used by us only represents an estimate of savings you might benefit from buying certain tools with us compared to the major top brands and does not necessarily mean to cover all categories of tools offered by us. You are kindly reminded to verify carefully when you are placing an order with us if you are actually saving half in comparison with the top major brands.

VEVOR[®]

TOUGH TOOLS, HALF PRICE

WORKBENCH TOP



NEED HELP? CONTACT US!

Have product questions? Need technical support? Please feel free to contact us:

Technical Support and E-Warranty Certificate
www.vevor.com/support

This is the original instruction, please read all manual instructions carefully before operating. VEVOR reserves a clear interpretation of our user manual. The appearance of the product shall be subject to the product you received. Please forgive us that we won't inform you again if there are any technology or software updates on our product.

GENERAL SAFETY RULES

⚠ WARNING Please read this user manual carefully !

1. Do not stand or step on this product. You may fall which may cause personal injury.
2. Please don't put the product beside a heating plant or fires, or pour hot water on it in case of fires, burns and deformation dangers.
3. Please do not contact this product with corrosive chemicals and sharp knives.
4. Do not expose this product to the sun for a long time.
5. Do not splash water or other liquids on the workbench top.
6. Do not pile hard-pointed objects on the workbench top to avoid damaging it.
7. Do not exceed the maximum load capacity.
8. Do not alter this product in any manner.

CAUTION: Carefully read instructions and procedures for safe operations.

SAVE THESE INSTRUCTIONS

MODEL AND PARAMETERS

Model	KLWT-01	KLWT-02	KLWT-03	KLWT-04	KLWT-05	KLWT-06
Workbench Top Size	55"×28"	60"×25"	55"×27.6"	63"×31.5"	70.9"×31.5"	78.7"×31.5"
Workbench Top Thickness	1"	1"	1"	1"	1"	1"
Maximum Load Capacity	220lbs	220lbs	220lbs	220lbs	220lbs	220lbs
Color(s)	White	White	Burly-wood	Burly-wood	Burly-wood	Burly-wood
Material	Chipboard	Chipboard	Chipboard	Chipboard	Chipboard	Chipboard

OPERATING INSTRUCTION

Installation Preparation:

1. Two or more people to move and assemble the workbench.
2. Please prepare a carpet or mat to protect your floor. You need to spread out all the accessories.
3. Please prepare gloves to avoid being scratched by sharp parts that may occur during installation.
4. Please open all the boxes to check that the accessories are complete and in good condition.
5. If you need to use power tools to install this product, please set the speed to low speed in advance.
6. When installing, please align all the holes and do not tighten all the screws first ; otherwise, it may make the installation difficult.

Installation:

STEP 1: Install the Workbench Top frame first.

STEP 2: Adjust the size spacing of the frame.

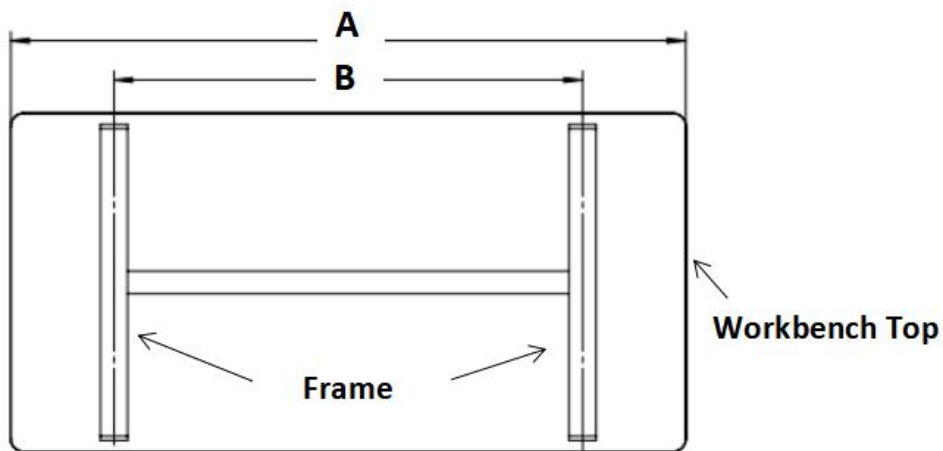
STEP 3:Place the selected Workbench Top in the middle of the Workbench Top frame.

STEP 4: Lock the table top with self-tapping nails.

NOTE:The length of the self-tapping nail should match the thickness of the frame and the workbench top;Don't go through the workbench top.

The following figure shows the common workbench top stands and installation. (Note: The workbench top does not include the frame.)

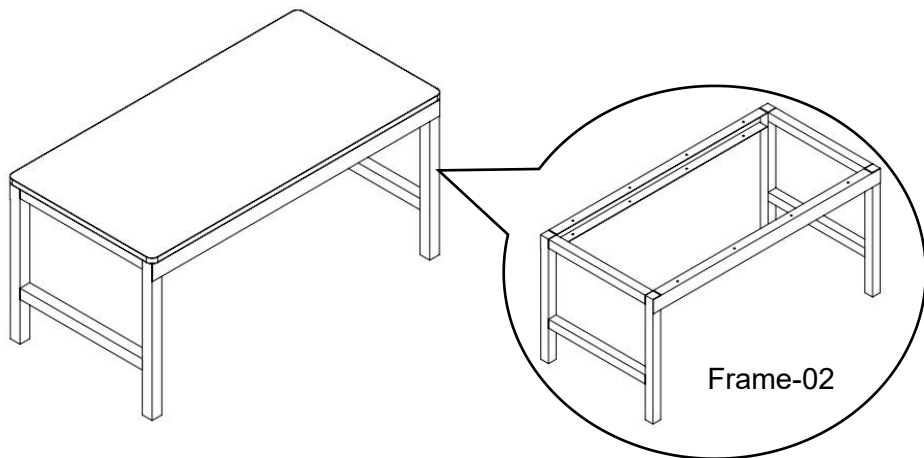
Style1: Install the workbench top on the electric stand-up desk frame.



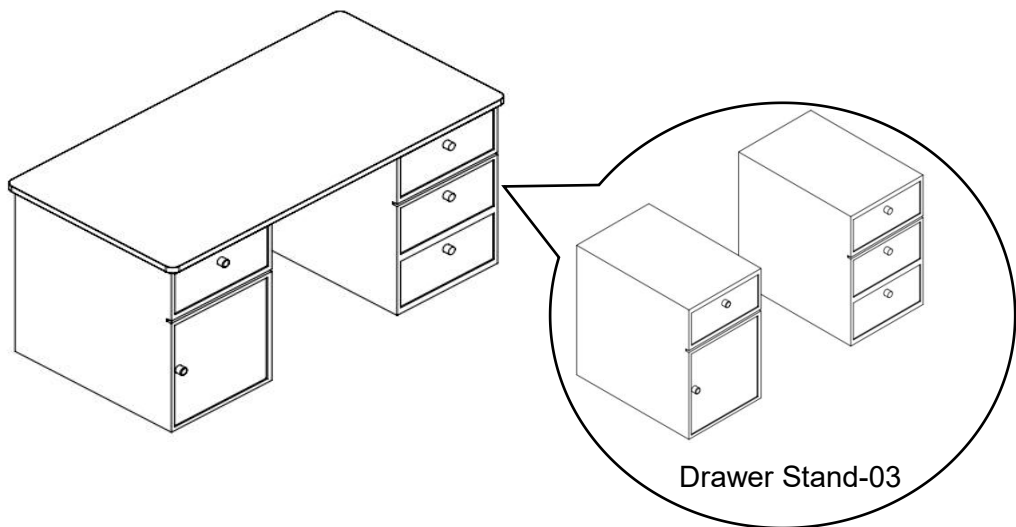
Bottom view

Tips: It is suggested that B is equal to 75~85 percent of A.

Style2: Install the workbench top on the fixed table stand.



Style3: Install the workbench top on the drawer stands.



MAINTENANCE

1. Please try to avoid putting wet items on the desktop.
2. Dust off regularly with a clean rag, and arrange items neatly on the desktop.
3. Don't let it sit in the sun for too long.
4. Check the table regularly to prevent screws from loosening and falling off.
5. Please store in a dry place; don't store in a damp place.

Address: Baoshanqu Shuangchenglu 803long 11hao 1602A-1609shi
Shanghai

Imported to AUS: SIHAO PTY LTD, 1 ROKEVA STREETEASTWOOD
NSW 2122 Australia

Imported to USA: Sanven Technology Ltd, Suite 250, 9166 Anaheim
Place, Rancho Cucamonga, CA 91730



SHUNSHUN GmbH
Römeräcker 9 Z2021, 76351
Linkenheim-Hochstetten, Germany



Pooledas Group Ltd
Unit 5 Albert Edward House, The
Pavilions Preston, United Kingdom

Made In China

VEVOR[®]

TOUGH TOOLS, HALF PRICE

Technical Support and E-Warranty Certificate

www.vevor.com/support

VEVOR[®]

TOUGH TOOLS, HALF PRICE

Technique Assistance et certificat de garantie électronique
www.vevor.com/support

DESSUS D'ÉTABLI MANUEL D'UTILISATION

**Modèle: KLWT-01 , KLWT-02 , KLWT-03 ,
KLWT-04 , KLWT-05 , KLWT-06**

We continue to be committed to provide you tools with competitive price. "Save Half", "Half Price" or any other similar expressions used by us only represents an estimate of savings you might benefit from buying certain tools with us compared to the major top brands and does not necessarily mean to cover all categories of tools offered by us. You are kindly reminded to verify carefully when you are placing an order with us if you are actually saving half in comparison with the top major brands.

VEVOR[®]

TOUGH TOOLS, HALF PRICE

WORKBENCH TOP



NEED HELP? CONTACT US!

Have product questions? Need technical support? Please feel free to contact us:

Technical Support and E-Warranty Certificate
www.vevor.com/support

This is the original instruction, please read all manual instructions carefully before operating. VEVOR reserves a clear interpretation of our user manual. The appearance of the product shall be subject to the product you received. Please forgive us that we won't inform you again if there are any technology or software updates on our product.

GENERAL SAFETY RULES

⚠ WARNING Veuillez lire attentivement ce manuel d'utilisation !

9. Ne vous tenez pas debout et ne marchez pas sur ce produit. Vous pourriez tomber, ce qui pourrait causer des blessures.
10. Veuillez ne pas placer le produit à côté d'une installation de chauffage ou d'un incendie, ni verser de l'eau chaude dessus en cas de risque d'incendie, de brûlure ou de déformation.
11. Veuillez ne pas mettre ce produit en contact avec des produits chimiques corrosifs et des couteaux tranchants.
12. N'exposez pas ce produit au soleil pendant une longue période.
13. Ne projetez pas d'eau ou d'autres liquides sur le dessus de l'établi .
14. N'empilez pas d'objets durs et pointus sur le dessus de l'établi pour éviter de l'endommager.
15. Ne dépassez pas la capacité de charge maximale.
16. Ne modifiez en aucun cas ce produit.

PRUDENCE: Lisez attentivement les instructions et les procédures pour des opérations en toute sécurité.

CONSERVEZ CES INSTRUCTIONS

MODEL AND PARAMETERS

Modèle	KLWT-01	KLWT-02	KLWT-03	KLWT-04	KLWT-05	KLWT-06
Taille supérieure	55 " x 28 "	60 " x 25 "	55 " x 27,6 "	63 " x 31,5 "	70,9 " x 31,5 "	78,7 " x 31,5 "
Épaisseur supérieure	1 "	1 "	1 "	1 "	1 "	1 "
Capacité de charge	220 livres	220 livres	220 livres	220 livres	220 livres	220 livres

Couleurs)	Blanc	Blanc	Bois bohu	Bois bohu	Bois bohu	Bois bohu
Matériel	Panneaux de	Panneaux de	Panneaux de	Panneaux de	Panneaux de	Panneaux de

OPERATING INSTRUCTION

Préparation de l'installation :

7. Deux personnes ou plus pour déplacer et assembler l'établi.
8. Veuillez préparer un tapis ou un tapis pour protéger votre sol . Vous devez répartir tous les accessoires.
9. Veuillez préparer des gants pour éviter d'être rayé par des pièces pointues qui pourraient survenir lors de l'installation.
10. Merci d'ouvrir tous les cartons pour vérifier que les accessoires sont complets et en bon état.
11. Si vous devez utiliser des outils électriques pour installer ce produit, veuillez régler la vitesse sur basse vitesse à l'avance.
12. Lors de l'installation , veuillez aligner tous les trous et ne serrez pas toutes les vis en premier ; sinon, cela pourrait rendre l'installation difficile.

Installation:

ÉTAPE 1 : Installez d'abord le cadre supérieur du Workbench .

ÉTAPE 2 : Ajustez l'espacement des tailles du cadre.

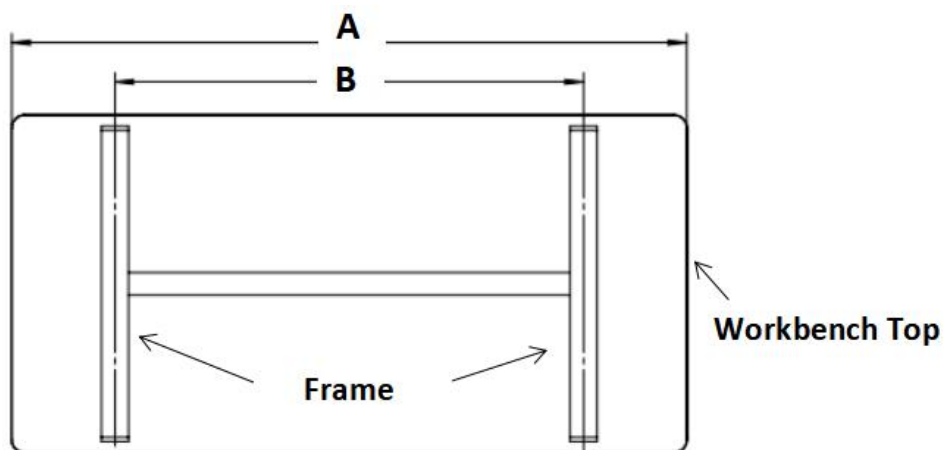
ÉTAPE 3 : Placez le plan de travail sélectionné au milieu du cadre du plan de travail .

ÉTAPE 4: Verrouillez le plateau de la table avec des clous autotaraudeurs.

REMARQUE : La longueur du clou autotaraudeur doit correspondre à l'épaisseur du cadre et du dessus de l'établi ; Ne passez pas par le dessus de l'établi.

La figure suivante montre les supports et l'installation courants de l'établi .
(Remarque : le dessus de l'établi n'inclut pas le cadre.)

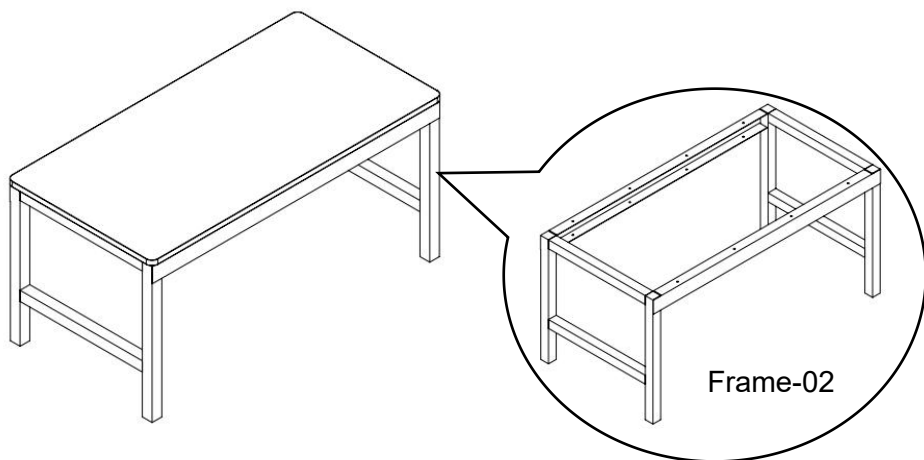
Style 1 : installez le dessus de l' établi sur le cadre de bureau électrique debout .



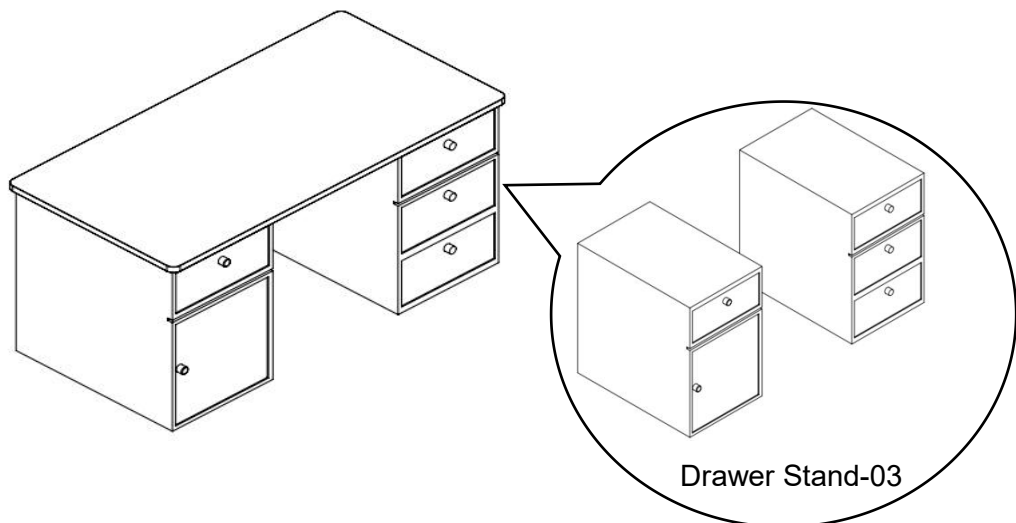
Vue de dessous

Conseils : Il est suggéré que B soit égal à 75 ~ 85 pour cent de A.

Style2 : installez le dessus de l'établi sur le support de table fixe.



Style3 : installez le dessus de l'établi sur les supports de tiroirs.



MAINTENANCE

6. Essayez d'éviter de placer des objets mouillés sur le bureau.
7. Dépoussiérez régulièrement avec un chiffon propre et disposez soigneusement les éléments sur le bureau .
8. Ne le laissez pas trop longtemps au soleil.
9. Vérifiez régulièrement la table pour éviter que les vis ne se desserrent et ne tombent.
désactivé.
10. Veuillez conserver dans un endroit sec ; ne pas stocker dans un endroit humide.

Adresse : Baoshanqu Shuangchenglu 803long 11hao 1602A-1609shi
Shanghai

Importé en Australie : SIHAO PTY LTD, 1 ROKEVA STREETASTWOOD
NSW 2122 Australie

Importé aux États-Unis : Sanven Technology Ltd, Suite 250, 9166
Anaheim Place, Rancho Cucamonga, CA 91730

EC	REP	SHUNSHUN GmbH Römeräcker 9 Z2021, 76351 Linkenheim-Hochstetten, Germany
-----------	------------	---

UK	REP	Pooledas Group Ltd Unit 5 Albert Edward House, The Pavilions Preston, United Kingdom
-----------	------------	--

Fabriqué en Chine

VEVOR[®]

TOUGH TOOLS, HALF PRICE

Technique Assistance et certificat de garantie électronique
www.vevor.com/support

VEVOR[®]

TOUGH TOOLS, HALF PRICE

Technisch Support- und E-Garantiezertifikat
www.vevor.com/support

WERKBANKPLATTE HANDBUCH

**Modell: KLWT-01 , KLWT-02 , KLWT-03 ,
KLWT-04 , KLWT-05 , KLWT-06**

We continue to be committed to provide you tools with competitive price. "Save Half", "Half Price" or any other similar expressions used by us only represents an estimate of savings you might benefit from buying certain tools with us compared to the major top brands and does not necessarily mean to cover all categories of tools offered by us. You are kindly reminded to verify carefully when you are placing an order with us if you are actually saving half in comparison with the top major brands.

VEVOR®

TOUGH TOOLS, HALF PRICE

WORKBENCH TOP



NEED HELP? CONTACT US!

Have product questions? Need technical support? Please feel free to contact us:

Technical Support and E-Warranty Certificate
www.vevor.com/support

This is the original instruction, please read all manual instructions carefully before operating. VEVOR reserves a clear interpretation of our user manual. The appearance of the product shall be subject to the product you received. Please forgive us that we won't inform you again if there are any technology or software updates on our product.

GENERAL SAFETY RULES

⚠ WARNING Bitte lesen Sie diese Bedienungsanleitung sorgfältig durch !

17. Stellen Sie sich nicht auf dieses Produkt und treten Sie nicht darauf.
Es besteht die Gefahr eines Sturzes, der zu Verletzungen führen kann.
18. Bitte stellen Sie das Produkt nicht neben eine Heizungsanlage oder Feuer und gießen Sie kein heißes Wasser darauf, da sonst die Gefahr von Bränden, Verbrennungen und Verformungen besteht.
19. Bitte kontaktieren Sie dieses Produkt nicht mit ätzenden Chemikalien und scharfen Messern.
20. Setzen Sie dieses Produkt nicht für längere Zeit der Sonne aus.
21. Spritzen Sie kein Wasser oder andere Flüssigkeiten auf die Arbeitsplatte .
22. Stapeln Sie keine harten , spitzen Gegenstände auf der Werkbankplatte, um eine Beschädigung zu vermeiden.
23. Überschreiten Sie nicht die maximale Tragfähigkeit.
24. Verändern Sie dieses Produkt in keiner Weise.

VORSICHT: Lesen Sie die Anweisungen und Verfahren für einen sicheren Betrieb sorgfältig durch.

ANLEITUNG AUFBEWAHREN

MODEL AND PARAMETERS

Modell	KLWT-01	KLWT-02	KLWT-03	KLWT-04	KLWT-05	KLWT-06
Größe der Werkbankplatte	55 "x 28 "	60 "x 25 "	55 " x 27,6 "	63 " x 31,5 "	70,9 "x 31,5 "	78,7 "x 31,5 "
Dicke der Werkbankplatte	1 "	1 "	1 "	1 "	1 "	1 "
Maximale Tragfähigkeit	220 Pfund	220 Pfund	220 Pfund	220 Pfund	220 Pfund	220 Pfund

Farben)	Weiß	Weiß	Kräftiges Holz	Kräftiges Holz	Kräftiges Holz	Kräftiges Holz
Material	Spanplatte	Spanplatte	Spanplatte	Spanplatte	Spanplatte	Spanplatte

OPERATING INSTRUCTION

Installationsvorbereitung:

13. Zwei oder mehr Personen zum Bewegen und Aufbauen der Werkbank.
14. Bitte bereiten Sie einen Teppich oder eine Matte vor, um Ihren Boden zu schützen . Sie müssen das gesamte Zubehör verteilen.
15. Bitte halten Sie Handschuhe bereit, um Kratzer durch scharfe Teile zu vermeiden, die während der Installation auftreten können.
16. Bitte öffnen Sie alle Kartons, um zu überprüfen, ob das Zubehör vollständig und in gutem Zustand ist.
17. Wenn Sie für die Installation dieses Produkts Elektrowerkzeuge verwenden müssen, stellen Sie die Geschwindigkeit bitte im Voraus auf eine niedrige Geschwindigkeit ein.
18. bei der Installation bitte alle Löcher aus und ziehen Sie nicht alle Schrauben zuerst fest. Andernfalls kann die Installation erschwert werden.

Installation:

SCHRITT 1: Installieren Sie zuerst den oberen Rahmen der Werkbank .

SCHRITT 2: Passen Sie den Größenabstand des Rahmens an.

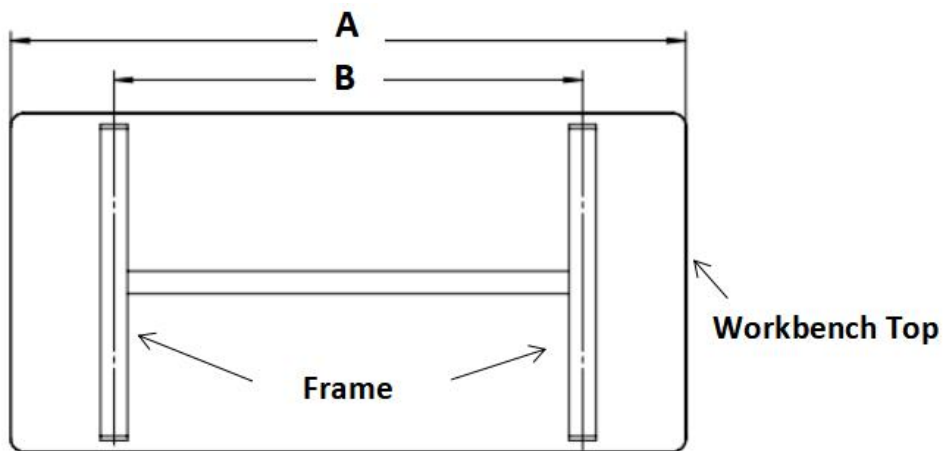
SCHRITT 3: Platzieren Sie die ausgewählte Werkbankplatte in der Mitte des Werkbankplattenrahmens .

SCHRITT 4: Befestigen Sie die Tischplatte mit selbstschneidenden Nägeln.

HINWEIS: Die Länge des selbstschneidenden Nagels sollte der Dicke des Rahmens und der Werkbankplatte entsprechen . Gehen Sie nicht durch die Werkbankplatte.

Die folgende Abbildung zeigt die üblichen Ständer für Werkbankplatten und deren Installation . (Hinweis: Der Rahmen ist nicht im Lieferumfang der Werkbankplatte enthalten.)

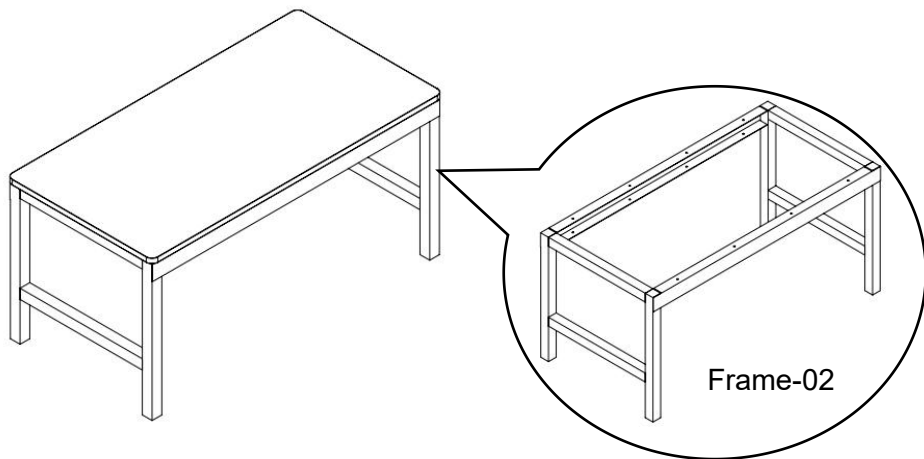
Stil 1 : Installieren Sie die Werkbankplatte auf dem elektrischen Stehpultgestell . _



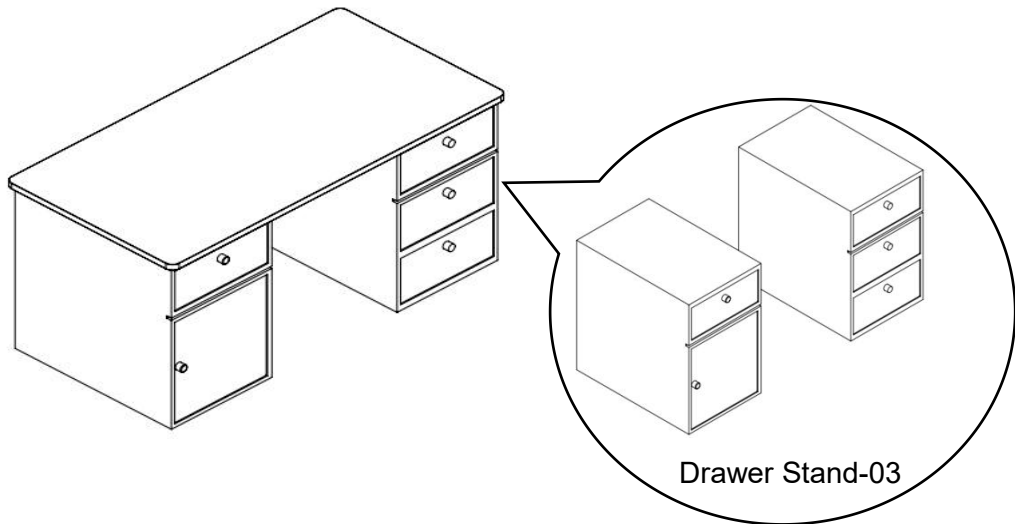
Untersicht

Tipps: Es wird empfohlen, dass B 75 bis 85 Prozent von A beträgt.

Stil 2: Installieren Sie die Werkbankplatte auf dem festen Tischständer.



Stil 3: Installieren Sie die Werkbankplatte auf den Schubladenständern.



MAINTENANCE

11. Bitte vermeiden Sie, nasse Gegenstände auf den Schreibtisch zu legen.
12. Entfernen Sie den Staub regelmäßig mit einem sauberen Lappen und ordnen Sie die Gegenstände ordentlich auf dem Schreibtisch an .
13. Lassen Sie es nicht zu lange in der Sonne liegen.
14. Überprüfen Sie den Tisch regelmäßig, um zu verhindern, dass sich Schrauben lösen und herunterfallen aus.
15. Bitte an einem trockenen Ort aufbewahren ; Nicht an einem feuchten Ort aufbewahren.

Adresse: Baoshanqu Shuangchenglu 803long 11hao 1602A-1609shi
Shanghai

Importiert nach AUS: SIHAO PTY LTD, 1 ROKEVA STREETEASTWOOD
NSW 2122 Australien

In die USA importiert: Sanven Technology Ltd, Suite 250, 9166 Anaheim
Place, Rancho Cucamonga, CA 91730

EC	REP	SHUNSHUN GmbH Römeräcker 9 Z2021, 76351 Linkenheim-Hochstetten, Germany
-----------	------------	---

UK	REP	Pooledas Group Ltd Unit 5 Albert Edward House, The Pavilions Preston, United Kingdom
-----------	------------	--

In China hergestellt

VEVOR[®]

TOUGH TOOLS, HALF PRICE

Technisch Support- und E-Garantiezertifikat

www.vevor.com/support

VEVOR[®]

TOUGH TOOLS, HALF PRICE

Tecnico Supporto e certificato di garanzia elettronica
www.vevor.com/support

PIANO DEL BANCO DA LAVORO MANUALE UTENTE

**Modello: KLWT-01 , KLWT-02 , KLWT-03 ,
KLWT-04 , KLWT-05 , KLWT-06**

We continue to be committed to provide you tools with competitive price. "Save Half", "Half Price" or any other similar expressions used by us only represents an estimate of savings you might benefit from buying certain tools with us compared to the major top brands and does not necessarily mean to cover all categories of tools offered by us. You are kindly reminded to verify carefully when you are placing an order with us if you are actually saving half in comparison with the top major brands.

VEVOR[®]

TOUGH TOOLS, HALF PRICE

WORKBENCH TOP



NEED HELP? CONTACT US!

Have product questions? Need technical support? Please feel free to contact us:

Technical Support and E-Warranty Certificate
www.vevor.com/support

This is the original instruction, please read all manual instructions carefully before operating. VEVOR reserves a clear interpretation of our user manual. The appearance of the product shall be subject to the product you received. Please forgive us that we won't inform you again if there are any technology or software updates on our product.

GENERAL SAFETY RULES

⚠ WARNING Si prega di leggere attentamente questo manuale utente !

25. Non stare in piedi o calpestare questo prodotto. Potresti cadere e causare lesioni personali.
26. Si prega di non posizionare il prodotto accanto a impianti di riscaldamento o incendi, né versarvi sopra acqua calda in caso di incendi, ustioni e pericoli di deformazione.
27. Si prega di non contattare questo prodotto con prodotti chimici corrosivi e coltelli affilati.
28. Non esporre questo prodotto al sole per lungo tempo.
29. Non spruzzare acqua o altri liquidi sul piano del banco di lavoro .
30. Non accumulare oggetti duri e appuntiti sul piano del banco da lavoro per evitare di danneggiarlo.
31. Non superare la capacità di carico massima.
32. Non alterare questo prodotto in alcun modo.

ATTENZIONE: Leggere attentamente le istruzioni e le procedure per operare in sicurezza.

CONSERVA QUESTE ISTRUZIONI

MODEL AND PARAMETERS

Modello	KLWT-01	KLWT-02	KLWT-03	KLWT-04	KLWT-05	KLWT-06
Dimensioni superiori del	55 "x 28 "	60 "x 25 "	55 "x 27,6 "	63 "x 31,5 "	70,9 "x 31,5 "	78,7 "x 31,5 "
Spessore superiore del	1 "	1 "	1 "	1 "	1 "	1 "
Capacità di carico massima	220 libbre	220 libbre	220 libbre	220 libbre	220 libbre	220 libbre

Colori)	Bianco	Bianco	Legno corpulento	Legno corpulento	Legno corpulento	Legno corpulento
Materiale	Truciolato	Truciolare	Truciolare	Truciolato	Truciolato	Truciolato

OPERATING INSTRUCTION

Preparazione all'installazione:

19. Due o più persone per spostare e montare il banco da lavoro.
20. Si prega di preparare un tappeto o un tappetino per proteggere il pavimento . Devi distribuire tutti gli accessori.
21. Si prega di preparare i guanti per evitare di graffiarsi con parti taglienti che potrebbero verificarsi durante l'installazione.
22. Si prega di aprire tutte le scatole per verificare che gli accessori siano completi e in buone condizioni.
23. Se è necessario utilizzare utensili elettrici per installare questo prodotto, impostare anticipatamente la velocità su bassa velocità.
24. Durante l'installazione , allineare tutti i fori e non serrare prima tutte le viti; in caso contrario, potrebbe rendere difficile l'installazione.

Installazione:

PASSO 1: Installare prima il telaio superiore del banco di lavoro .

PASSO 2: Regola la spaziatura delle dimensioni della cornice.

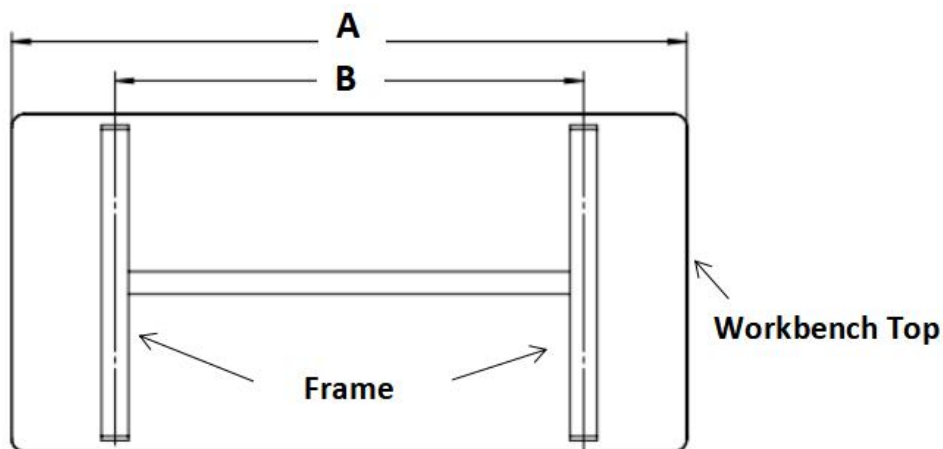
PASSO 3: Posiziona il piano del banco da lavoro selezionato al centro del telaio del piano del banco da lavoro .

PASSO 4: Bloccare il piano del tavolo con chiodi autofilettanti.

NOTA: la lunghezza del chiodo autofilettante deve corrispondere allo spessore del telaio e del piano del banco di lavoro ; non passare attraverso il piano del banco di lavoro.

La figura seguente mostra i comuni supporti del piano del banco da lavoro e l'installazione . (Nota: il piano del banco da lavoro non include il telaio).

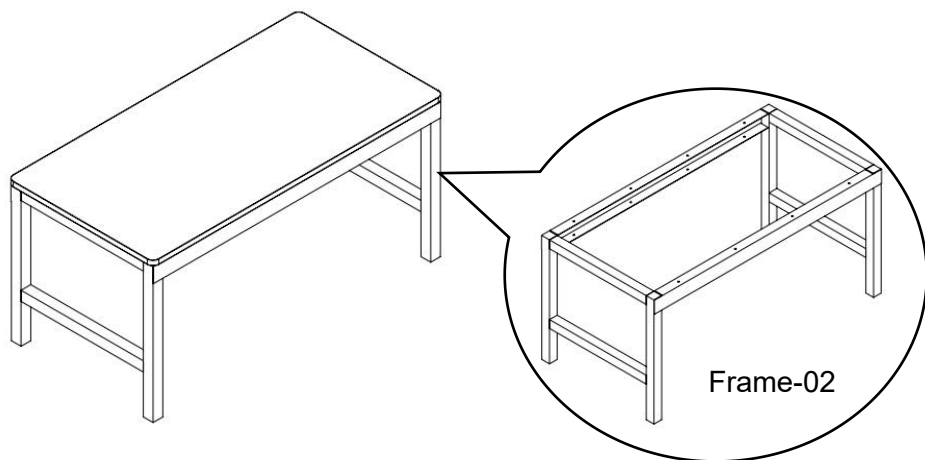
Stile 1 : installare il piano del banco da lavoro sulla struttura della scrivania elettrica .



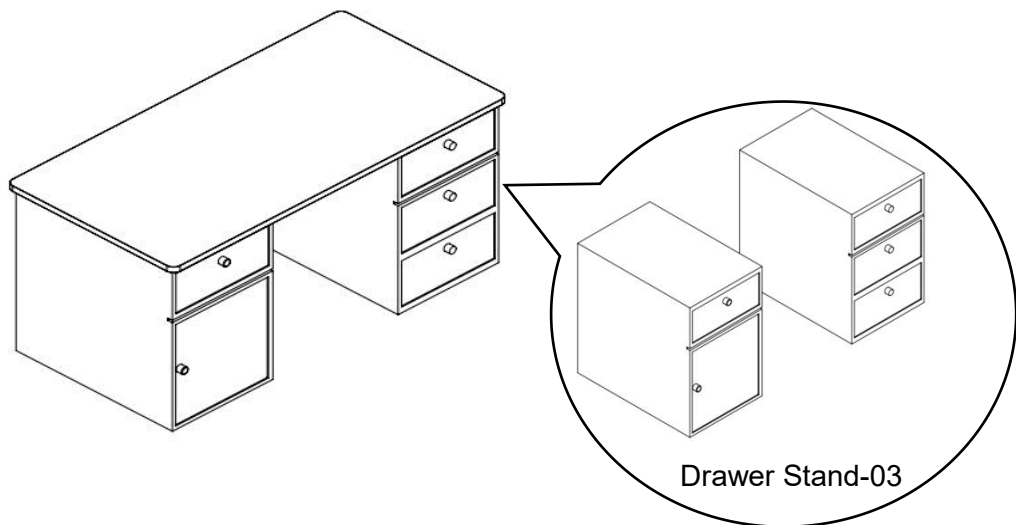
Vista dal basso

Suggerimenti: si suggerisce che B sia uguale al 75 ~ 85 % di A.

Stile 2: installare il piano del banco da lavoro sul supporto da tavolo fisso.



Stile 3: installare il piano del banco da lavoro sui supporti del cassetto.



MAINTENANCE

16. Si prega di cercare di evitare di mettere oggetti bagnati sulla scrivania .
17. Spolverare regolarmente con uno straccio pulito e disporre ordinatamente gli oggetti sulla scrivania .
18. Non lasciarlo riposare troppo a lungo al sole.
19. Controllare regolarmente il tavolo per evitare che le viti si allentino e cadano spento.
20. Si prega di conservare in un luogo asciutto ; non conservare in un luogo umido.

Indirizzo: Baoshanqu Shuangchenglu 803long 11hao 1602A-1609shi
Shanghai

Importato in AUS: SIHAO PTY LTD, 1 ROKEVA STREETEASTWOOD
NSW 2122 Australia

Importato negli Stati Uniti: Sanven Technology Ltd, Suite 250, 9166
Anaheim Place, Rancho Cucamonga, CA 91730

EC	REP	SHUNSHUN GmbH Römeräcker 9 Z2021, 76351 Linkenheim-Hochstetten, Germany
-----------	------------	---

UK	REP	Pooledas Group Ltd Unit 5 Albert Edward House, The Pavilions Preston, United Kingdom
-----------	------------	--

Made in China

VEVOR[®]

TOUGH TOOLS, HALF PRICE

Tecnico Supporto e certificato di garanzia elettronica

www.vevor.com/support

VEVOR[®]

TOUGH TOOLS, HALF PRICE

Técnico Certificado de soporte y garantía electrónica
www.vevor.com/support

MESA DE TRABAJO SUPERIOR MANUAL DE USUARIO

**Modelo: KLWT-01 , KLWT-02 , KLWT-03 ,
KLWT-04 , KLWT-05 , KLWT-06**

We continue to be committed to provide you tools with competitive price. "Save Half", "Half Price" or any other similar expressions used by us only represents an estimate of savings you might benefit from buying certain tools with us compared to the major top brands and does not necessarily mean to cover all categories of tools offered by us. You are kindly reminded to verify carefully when you are placing an order with us if you are actually saving half in comparison with the top major brands.

VEVOR®

TOUGH TOOLS, HALF PRICE

WORKBENCH TOP



NEED HELP? CONTACT US!

Have product questions? Need technical support? Please feel free to contact us:

Technical Support and E-Warranty Certificate
www.vevor.com/support

This is the original instruction, please read all manual instructions carefully before operating. VEVOR reserves a clear interpretation of our user manual. The appearance of the product shall be subject to the product you received. Please forgive us that we won't inform you again if there are any technology or software updates on our product.

GENERAL SAFETY RULES

⚠ WARNING ¡Lea atentamente este manual de usuario !

33. No se pare ni pise este producto. Podría caerse y provocar lesiones personales.
34. No coloque el producto junto a una instalación de calefacción o fuegos, ni vierta agua caliente sobre él en caso de incendio, quemaduras y peligro de deformación.
35. No ponga en contacto este producto con productos químicos corrosivos ni cuchillos afilados.
36. No exponga este producto al sol durante mucho tiempo.
37. No salpique agua u otros líquidos sobre la superficie del banco de trabajo .
38. No apile objetos puntiagudos sobre la superficie del banco de trabajo para evitar dañarlo.
39. No exceda la capacidad de carga máxima.
40. No altere este producto de ninguna manera.

PRECAUCIÓN: Lea atentamente las instrucciones y procedimientos para operaciones seguras.

GUARDA ESTAS INSTRUCCIONES

MODEL AND PARAMETERS

Modelo	KLWT-01	KLWT-02	KLWT-03	KLWT-04	KLWT-05	KLWT-06
Tamaño superior del	55 "x 28 "	60 "x 25 "	55 "x 27,6 "	63 "x 31,5 "	70,9 "x 31,5 "	78,7 "x 31,5 "
Grosor superior del	1 "	1 "	1 "	1 "	1 "	1 "
Capacidad de carga máxima	220 libras	220 libras	220 libras	220 libras	220 libras	220 libras

Colores)	Blanco	Blanco	madera corpulenta	madera corpulenta	madera corpulenta	madera corpulenta
Material	Cartón madera	Cartón madera	Cartón madera	Cartón madera	Cartón madera	Cartón madera

OPERATING INSTRUCTION

Preparación de la instalación:

25. Dos o más personas para mover y montar el banco de trabajo.
26. Prepare una alfombra o tapete para proteger su piso . Necesitas distribuir todos los accesorios.
27. Prepare guantes para evitar rayarse con piezas afiladas que puedan ocurrir durante la instalación.
28. Por favor abra todas las cajas para comprobar que los accesorios están completos y en buen estado.
29. Si necesita utilizar herramientas eléctricas para instalar este producto, configure la velocidad en baja de antemano.
30. Al realizar la instalación , alinee todos los orificios y no apriete todos los tornillos primero; de lo contrario, podría dificultar la instalación.

Instalación:

PASO 1: Instale primero el marco superior del banco de trabajo .

PASO 2: Ajuste el espacio entre tamaños del marco.

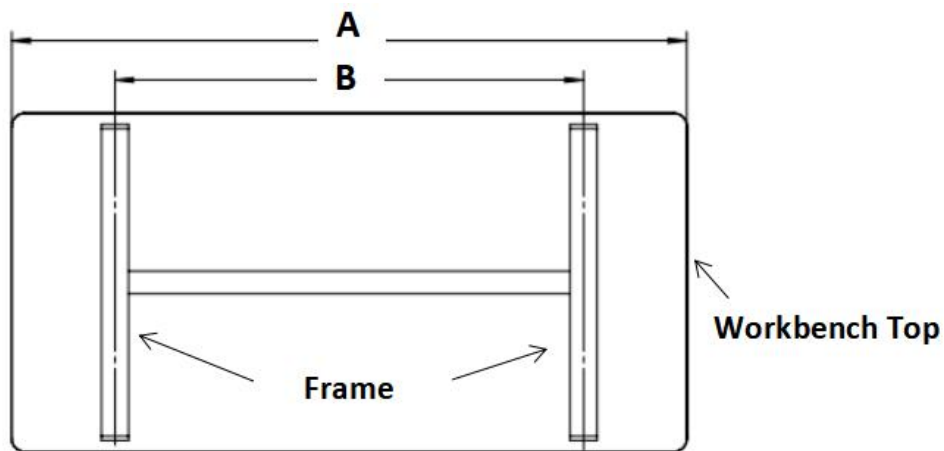
PASO 3: Coloque la tapa del banco de trabajo seleccionada en el medio del marco de la tapa del banco de trabajo .

ETAPA 4: Bloquee la mesa con clavos autorroscantes.

NOTA: La longitud del clavo autorroscante debe coincidir con el grosor del marco y la superficie del banco de trabajo ; no atravesese la superficie del banco de trabajo.

La siguiente figura muestra los soportes y la instalación de la parte superior del banco de trabajo común . (Nota: la parte superior del banco de trabajo no incluye el marco).

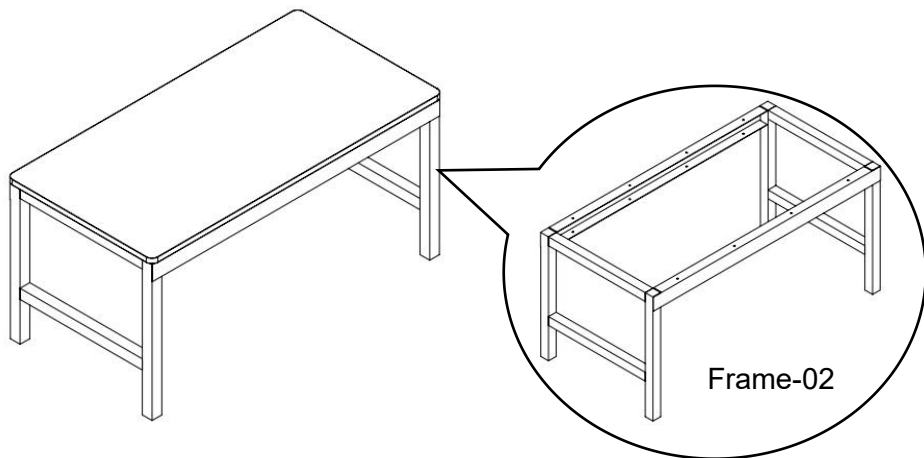
1 : Instale la parte superior del banco de trabajo en el marco del escritorio eléctrico de pie .



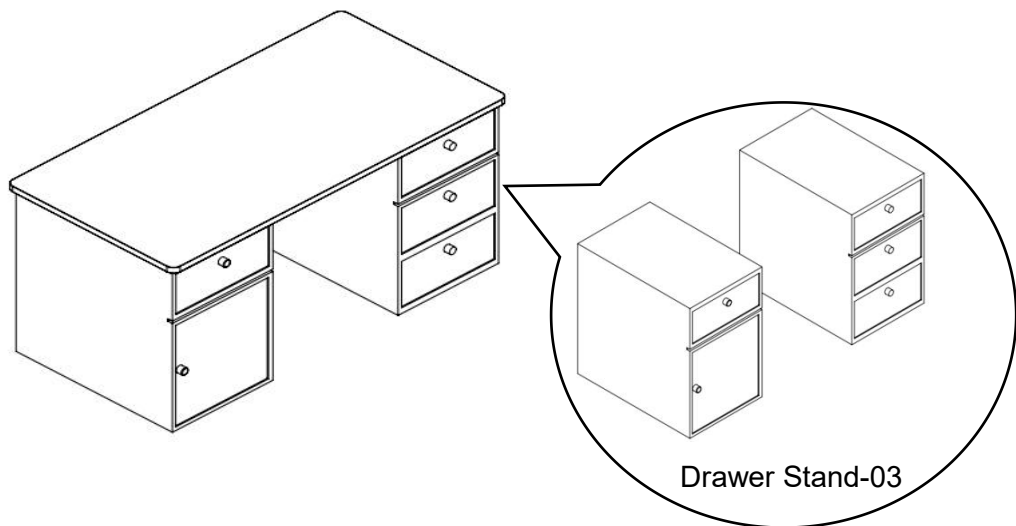
Vista inferior

Consejos: Se sugiere que B sea igual al 75 ~ 85 por ciento de A.

Estilo 2: Instale la parte superior del banco de trabajo en el soporte de mesa fijo.



Estilo 3: Instale la parte superior del banco de trabajo en los soportes del cajón.



MAINTENANCE

21. Intente evitar colocar objetos mojados sobre el escritorio.
22. Quite el polvo periódicamente con un trapo limpio y coloque los elementos ordenadamente sobre el escritorio .
23. No lo dejes reposar demasiado tiempo al sol.
24. Revise la mesa periódicamente para evitar que los tornillos se aflojen y caigan.
apagado.
25. Guárdelo en un lugar seco ; no lo guarde en un lugar húmedo.

Dirección: Baoshanqu Shuangchenglu 803long 11hao 1602A-1609shi
Shanghai

Importado a AUS: SIHAO PTY LTD, 1 ROKEVA STREETEASTWOOD
NSW 2122 Australia

Importado a EE. UU.: Sanven Technology Ltd, Suite 250, 9166 Anaheim
Place, Rancho Cucamonga, CA 91730

EC	REP	SHUNSHUN GmbH Römeräcker 9 Z2021, 76351 Linkenheim-Hochstetten, Germany
-----------	------------	---

UK	REP	Pooledas Group Ltd Unit 5 Albert Edward House, The Pavilions Preston, United Kingdom
-----------	------------	--

Hecho en china

VEVOR[®]

TOUGH TOOLS, HALF PRICE

Técnico Certificado de soporte y garantía electrónica

www.vevor.com/support

VEVOR[®]

TOUGH TOOLS, HALF PRICE

Techniczny Certyfikat wsparcia i e-gwarancji
www.vevor.com/support

BLAT STOŁU WARSZTATOWEGO INSTRUKCJA OBSŁUGI

**Model: KLWT-01 , KLWT-02 , KLWT-03 ,
KLWT-04 , KLWT-05 , KLWT-06**

We continue to be committed to provide you tools with competitive price. "Save Half", "Half Price" or any other similar expressions used by us only represents an estimate of savings you might benefit from buying certain tools with us compared to the major top brands and does not necessarily mean to cover all categories of tools offered by us. You are kindly reminded to verify carefully when you are placing an order with us if you are actually saving half in comparison with the top major brands.

VEVOR[®]

TOUGH TOOLS, HALF PRICE

WORKBENCH TOP



NEED HELP? CONTACT US!

Have product questions? Need technical support? Please feel free to contact us:

Technical Support and E-Warranty Certificate
www.vevor.com/support

This is the original instruction, please read all manual instructions carefully before operating. VEVOR reserves a clear interpretation of our user manual. The appearance of the product shall be subject to the product you received. Please forgive us that we won't inform you again if there are any technology or software updates on our product.

GENERAL SAFETY RULES

⚠ WARNING Przeczytaj uważnie niniejszą instrukcję obsługi !

41. Nie stawaj ani nie stawaj na tym produkcie. Możesz upaść, co może spowodować obrażenia ciała.
42. Proszę nie stawiać produktu w pobliżu urządzeń grzewczych lub ognisk, ani nie polewać go gorącą wodą w przypadku pożaru, oparzeń lub niebezpieczeństwa odkształcenia.
43. Proszę nie kontaktować tego produktu z żrącymi chemikaliami i ostrymi nożami.
44. Nie wystawiaj tego produktu na działanie słońca przez dłuższy czas.
45. Nie rozpryskuj wody ani innych płynów na blat stołu warsztatowego .
46. Nie układaj twardych , spiczastych przedmiotów na blacie stołu warsztatowego, aby uniknąć jego uszkodzenia.
47. Nie przekraczaj maksymalnego obciążenia.
48. Nie modyfikuj tego produktu w żaden sposób.

OSTROŻNOŚĆ: Przeczytaj uważnie instrukcje i procedury dotyczące bezpiecznej obsługi.

ZACHOWAJ TE INSTRUKCJE

MODEL AND PARAMETERS

Model	KLWT-0 1	KLWT-0 2	KLWT-03	KLWT-04	KLWT-05	KLWT-06
Najwyższy rozmiar stołu	55 "x 28 "	60 "x 25 "	55 "x 27,6 "	63 "x 31,5 "	70,9 cala x 31,5 cala	78,7 "x 31,5 "
Grubość góry stołu	1 "	1 "	1 "	1 "	1 "	1 "
Maksymalna ładowność	220 funtów	220 funtów	220 funtów	220 funtów	220 funtów	220 funtów
Zabarwienie)	Biały	Biały	Burly-drewn o	Burly-drewn o	Burly-drewn o	Burly-drewn o

Materiał	Płyta wiórowa	Płyta wiórowa	Płyta wiórowa	Płyta wiórowa	Płyta wiórowa	Płyta wiórowa
----------	------------------	------------------	------------------	------------------	------------------	------------------

OPERATING INSTRUCTION

Przygotowanie do instalacji:

31. Dwie lub więcej osób do przenoszenia i montażu stołu warsztatowego.
32. Przygotuj dywan lub matę, aby zabezpieczyć podłogę . Musisz rozłożyć wszystkie akcesoria.
33. Należy przygotować rękawice, aby uniknąć zarysowania ostrymi częściami, które mogą wystąpić podczas montażu.
34. Proszę otworzyć wszystkie pudełka, aby sprawdzić, czy akcesoria są kompletne i w dobrym stanie.
35. Jeśli do zainstalowania tego produktu konieczne będzie użycie elektronarzędzi, należy wcześniej ustawić prędkość na niską.
36. Podczas instalacji należy wyrównać wszystkie otwory i nie dokręcać najpierw wszystkich śrub; w przeciwnym razie może to utrudnić instalację.

Instalacja:

KROK 1: Najpierw zainstaluj górną ramę stołu warsztatowego .

KROK 2: Dostosuj odstęp wielkości ramki.

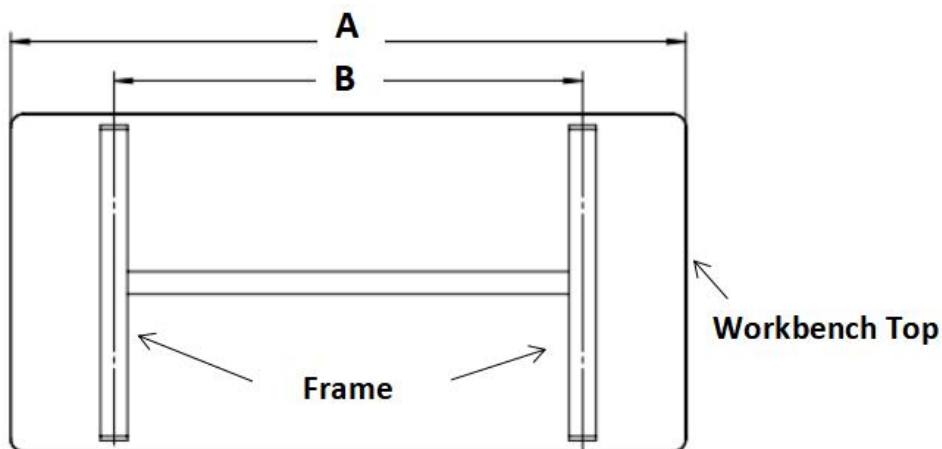
KROK 3: Umieść wybrany blat stołu warsztatowego na środku ramy blatu stołu warsztatowego .

KROK 4: Zablokuj blat stołu za pomocą gwoździ samogwintujących.

UWAGA: Długość gwoździ samogwintujących powinna odpowiadać grubości ramy i blatu stołu warsztatowego . Nie przechodź przez blat stołu warsztatowego.

Poniższy rysunek przedstawia typowe stojaki na blaty warsztatowe i instalację . (Uwaga: Blat stołu warsztatowego nie obejmuje ramy.)

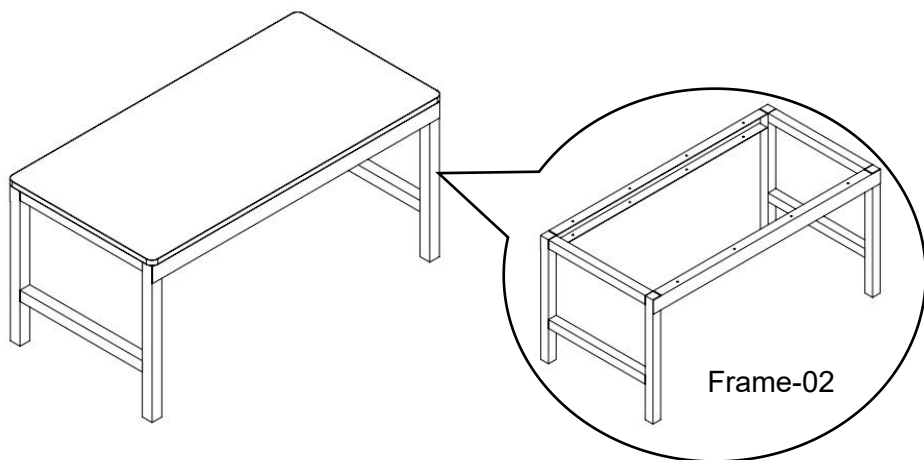
Styl 1 : Zamontuj blat stołu warsztatowego na elektrycznej ramie biurka stojącego .



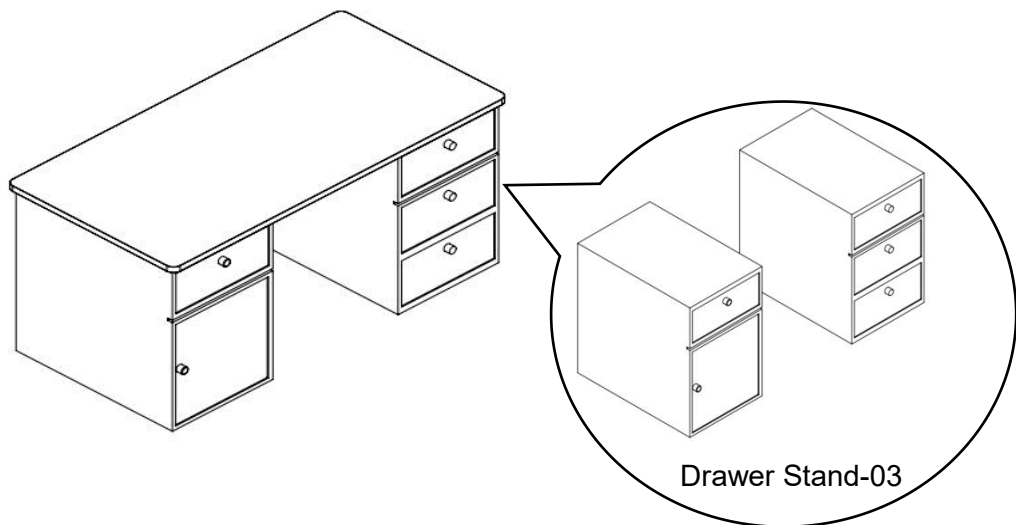
Widok z dołu

Wskazówki: Sugeruje się, że B jest równe 75 ~ 85 procent A.

Styl 2: Zainstaluj blat stołu warsztatowego na stałym stojaku stołowym.



Styl 3: Zainstaluj blat stołu warsztatowego na stojakach z szufladami.



MAINTENANCE

26. Staraj się unikać umieszczania mokrych przedmiotów na biurku .
27. Regularnie odkurzaj czystą szmatką i starannie układaj przedmioty na biurku .
28. Nie zostawiaj go zbyt długo na słońcu.
29. Regularnie sprawdzaj stół, aby zapobiec poluzowaniu się i spadnięciu śrub wyłączony.
30. Proszę przechowywać w suchym miejscu ; nie przechowuj w wilgotnym miejscu.

Adres: Baoshanqu Shuangchenglu 803long 11hao 1602A-1609shi
Szanghaj

Import do AUS: SIHAO PTY LTD, 1 ROKEVA STREET EASTWOOD NSW
2122 Australia

Import do USA: Sanven Technology Ltd, Suite 250, 9166 Anaheim Place,
Rancho Cucamonga, CA 91730

EC	REP	SHUNSHUN GmbH Römeräcker 9 Z2021, 76351 Linkenheim-Hochstetten, Germany
-----------	------------	---

UK	REP	Pooledas Group Ltd Unit 5 Albert Edward House, The Pavilions Preston, United Kingdom
-----------	------------	--

Wyprodukowano w Chinach

VEVOR[®]

TOUGH TOOLS, HALF PRICE

Techniczny Certyfikat wsparcia i e-gwarancji

www.vevor.com/support

VEVOR[®]

TOUGH TOOLS, HALF PRICE

Technisch Ondersteuning en e-garantiecertificaat
www.vevor.com/support

WERKBANK BOVEN GEBRUIKERSHANDLEIDING

**Model: KLWT-01 , KLWT-02 , KLWT-03 ,
KLWT-04 , KLWT-05 , KLWT-06**

We continue to be committed to provide you tools with competitive price. "Save Half", "Half Price" or any other similar expressions used by us only represents an estimate of savings you might benefit from buying certain tools with us compared to the major top brands and does not necessarily mean to cover all categories of tools offered by us. You are kindly reminded to verify carefully when you are placing an order with us if you are actually saving half in comparison with the top major brands.

VEVOR[®]

TOUGH TOOLS, HALF PRICE

WORKBENCH TOP



NEED HELP? CONTACT US!

Have product questions? Need technical support? Please feel free to contact us:

Technical Support and E-Warranty Certificate
www.vevor.com/support

This is the original instruction, please read all manual instructions carefully before operating. VEVOR reserves a clear interpretation of our user manual. The appearance of the product shall be subject to the product you received. Please forgive us that we won't inform you again if there are any technology or software updates on our product.

GENERAL SAFETY RULES

⚠ WARNING Lees deze gebruikershandleiding zorgvuldig door !

49. Ga niet op dit product staan of stappen. U kunt vallen en persoonlijk letsel veroorzaken.
50. Plaats het product niet naast een verwarmingsinstallatie of vuur, en giet er geen heet water op in geval van brand, brandwonden en gevaar voor vervorming.
51. Gelieve dit product niet in contact te brengen met bijtende chemicaliën en scherpe messen.
52. Stel dit product niet langdurig bloot aan de zon.
53. Spat geen water of andere vloeistoffen op het werkblad van de werkbank .
54. Stapel geen harde , puntige voorwerpen op het werkblad van de werkbank om beschadiging ervan te voorkomen.
55. Overschrijd het maximale draagvermogen niet.
56. Wijzig dit product op geen enkele manier.

VOORZICHTIGHEID: Lees zorgvuldig de instructies en procedures voor veilig gebruik.

BEWAAR DEZE INSTRUCTIES

MODEL AND PARAMETERS

Model	KLWT-01	KLWT-02	KLWT-03	KLWT-04	KLWT-05	KLWT-06
Werkbank topformaat	55 "x 28 "	60 "x 25 "	55 "x 27,6 "	63 "x 31,5 "	70,9 "x 31,5 "	78,7 "x 31,5 "
Dikte van de werkbank	1 "	1 "	1 "	1 "	1 "	1 "
Maximaal laadvermogen	220 pond	220 pond	220 pond	220 pond	220 pond	220 pond

Kleur(en)	Wit	Wit	Knoestig hout	Knoestig hout	Knoestig hout	Knoestig hout
Materiaal	Spaanplaat	Spaanplaat	Spaanplaat	Spaanplaat	Spaanplaat	Spaanplaat

OPERATING INSTRUCTION

Vorbereiding installatie:

37. Twee of meer personen om de werkbank te verplaatsen en in elkaar te zetten.
38. Zorg voor een tapijt of mat om uw vloer te beschermen . Je moet alle accessoires spreiden.
39. Zorg ervoor dat u handschoenen draagt om te voorkomen dat u bekrast raakt door scherpe onderdelen die tijdens de installatie kunnen ontstaan.
40. Open alle dozen om te controleren of de accessoires compleet en in goede staat zijn.
41. Als u elektrisch gereedschap nodig heeft om dit product te installeren, stel de snelheid dan vooraf in op een lage snelheid.
42. bij het installeren alle gaten uit en draai niet eerst alle schroeven vast; anders kan dit de installatie bemoeilijken.

Installatie:

STAP 1: Installeer eerst het werkbankbovenframe .

STAP 2: Pas de maatafstand van het frame aan.

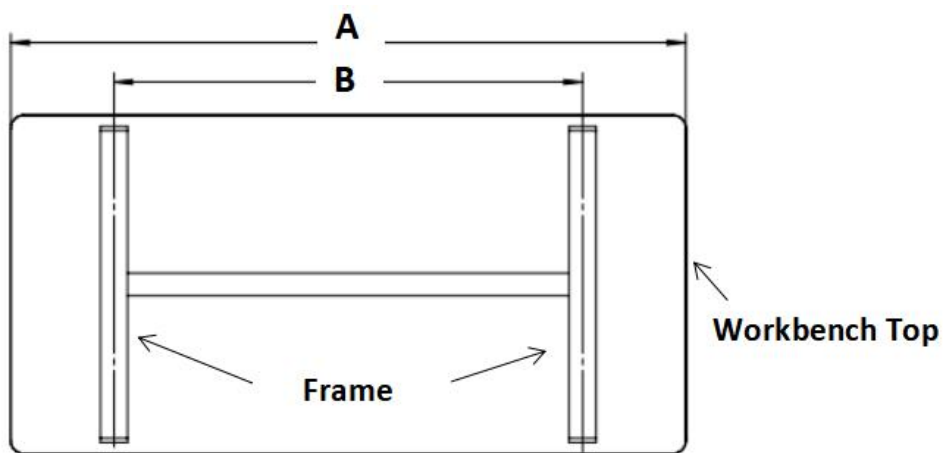
STAP 3: Plaats het geselecteerde Workbench Top in het midden van het Workbench Top frame.

STAP 4: Vergrendel het tafelblad met zelftappende spijkers.

OPMERKING: De lengte van de zelftappende spijker moet overeenkomen met de dikte van het frame en het werkblad van de werkbank . Ga niet door het werkblad van de werkbank.

De volgende afbeelding toont de gebruikelijke werkbankstandaards en installatie . (Opmerking: het werkbankblad is exclusief frame.)

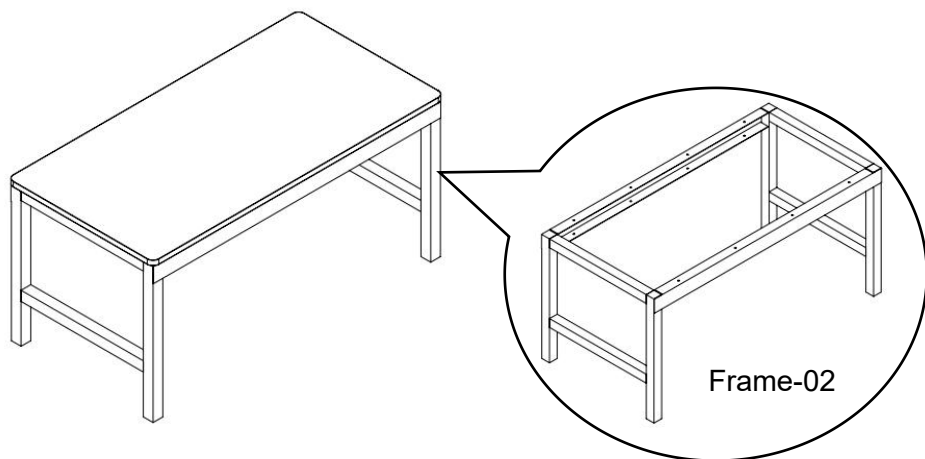
Stijl 1 : Installeer het werkbankblad op het elektrische bureauframe . _ _



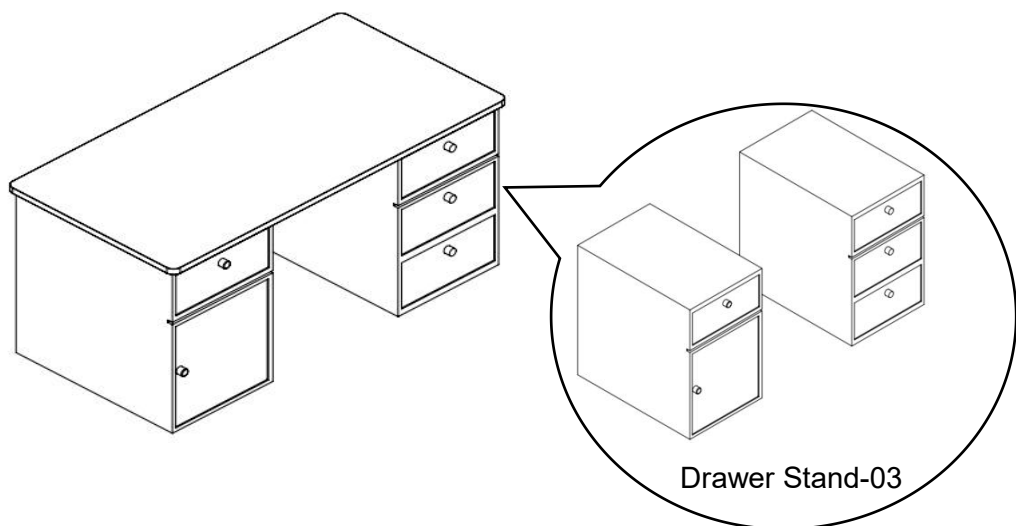
Onderaanzicht

Tips: Er wordt gesuggereerd dat B gelijk is aan 75 ~ 85 procent van A.

Stijl 2: Installeer het werkbankblad op de vaste tafelstandaard.



Stijl 3: Installeer het werkbankblad op de ladestandaarden.



MAINTENANCE

31. Probeer te voorkomen dat er natte voorwerpen op het bureaublad worden geplaatst.
32. Stof regelmatig af met een schone doek en plaats de spullen netjes op het bureaublad .
33. Laat hem niet te lang in de zon staan.
34. Controleer de tafel regelmatig om te voorkomen dat schroeven losraken en vallen uit.
35. Bewaar op een droge plaats ; niet op een vochtige plaats bewaren.

Adres: Baoshanqu Shuangchenglu 803long 11hao 1602A-1609shi
Shanghai

Geïmporteerd naar AUS: SIHAO PTY LTD, 1 ROKEVA
STREETEASTWOOD NSW 2122 Australië

Geïmporteerd naar de VS: Sanven Technology Ltd, Suite 250, 9166
Anaheim Place, Rancho Cucamonga, CA 91730



SHUNSHUN GmbH
Römeräcker 9 Z2021, 76351
Linkenheim-Hochstetten, Germany



Pooledas Group Ltd
Unit 5 Albert Edward House, The
Pavilions Preston, United Kingdom

Gemaakt in China

VEVOR[®]

TOUGH TOOLS, HALF PRICE

Technisch Ondersteuning en e-garantiecertificaat

www.vevor.com/support

VEVOR®

TOUGH TOOLS, HALF PRICE

Teknisk Support och e-garanticertifikat
www.vevor.com/support

ARBETSBÄNKSSKIVA ANVÄNDARMANUAL

**Modell: KLWT-01 , KLWT-02 , KLWT-03 ,
KLWT-04 , KLWT-05 , KLWT-06**

We continue to be committed to provide you tools with competitive price. "Save Half", "Half Price" or any other similar expressions used by us only represents an estimate of savings you might benefit from buying certain tools with us compared to the major top brands and does not necessarily mean to cover all categories of tools offered by us. You are kindly reminded to verify carefully when you are placing an order with us if you are actually saving half in comparison with the top major brands.

VEVOR[®]

TOUGH TOOLS, HALF PRICE

WORKBENCH TOP



NEED HELP? CONTACT US!

Have product questions? Need technical support? Please feel free to contact us:

Technical Support and E-Warranty Certificate
www.vevor.com/support

This is the original instruction, please read all manual instructions carefully before operating. VEVOR reserves a clear interpretation of our user manual. The appearance of the product shall be subject to the product you received. Please forgive us that we won't inform you again if there are any technology or software updates on our product.

GENERAL SAFETY RULES

⚠ WARNING Vänligen läs denna bruksanvisning noggrant !

57. Stå eller trampa inte på den här produkten. Du kan falla vilket kan orsaka personskada.
58. Vänligen ställ inte produkten bredvid en värmeanläggning eller eld, och håll inte varmt vatten på den i händelse av bränder, brännskador och deformationsrisker.
59. Vänligen kontakta inte denna produkt med frätande kemikalier och vassa knivar.
60. Utsätt inte denna produkt för solen under en längre tid.
61. Stänk inte vatten eller andra vätskor på arbetsbänkens ovansida .
62. Stapla inte hårda spetsiga föremål på arbetsbänkens ovansida för att undvika att skada den.
63. Överskrid inte den maximala lastkapaciteten.
64. Ändra inte denna produkt på något sätt.

WARNING: Läs noggrant instruktionerna och procedurerna för säker drift.

SPARA DESSA INSTRUKTIONER

MODEL AND PARAMETERS

Modell	KLWT-01	KLWT-02	KLWT-03	KLWT-04	KLWT-05	KLWT-06
Arbetsbänk Toppstorlek	55 "x 28 "	60 "x 25 "	55 "x 27,6 "	63 "x 31,5 "	70,9 "x 31,5 "	78,7 "x 31,5 "
Arbetsbänk Topptjocklek	1 "	1 "	1 "	1 "	1 "	1 "
Maximal lastkapacitet	220 lbs	220 lbs	220 lbs	220 lbs	220 lbs	220 lbs
Färger)	Vit	Vit	Burly-wood	Burly-wood	Burly-wood	Burly-wood

Material	Spånskiva	Spånskiva	Spånskiva	Spånskiva	Spånskiva	Spånskiva
----------	-----------	-----------	-----------	-----------	-----------	-----------

OPERATING INSTRUCTION

Installationsförberedelser:

43. Två eller flera personer ska flytta och montera arbetsbänken.
44. Förbered en matta eller matta för att skydda ditt golv . Du måste sprida ut alla tillbehör.
45. Förbered handskar för att undvika repor av vassa delar som kan uppstå under installationen.
46. Öppna alla lådor för att kontrollera att tillbehören är kompletta och i gott skick.
47. Om du behöver använda elverktyg för att installera den här produkten, ställ in hastigheten på låg hastighet i förväg.
48. När du installerar , vänligen rikta in alla hål och dra inte åt alla skruvar först. annars kan det försvåra installationen.

Installation:

STEG 1: Installera arbetsbänkens övre ram först .

STEG 2: Justera storleksavståndet på ramen.

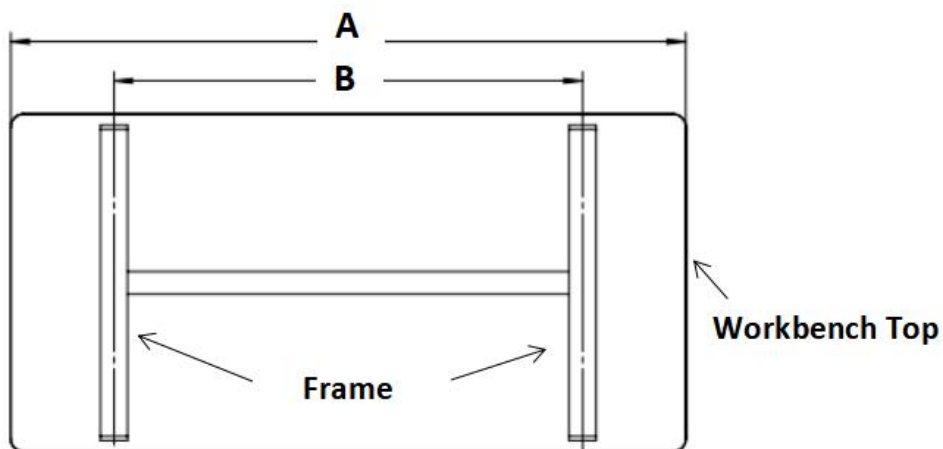
STEG 3: Placera den valda Workbench Top i mitten av Workbench Top -ramen.

STEG 4: Lås bordsskivan med självgående spikar.

OBS: Längden på den självgående spiken ska matcha tjockleken på ramen och arbetsbänksskivan; Gå inte igenom arbetsbänksskivan.

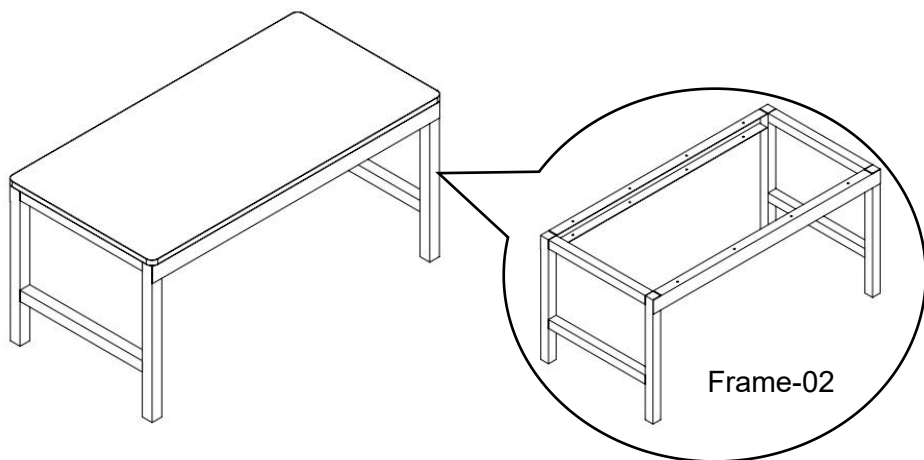
Följande bild visar vanliga arbetsbänksstativ och installation .(Obs: Arbetsbänkskivan inkluderar inte ramen.)

Stil1 : Installera arbetsbänkskivan på den elektriska uppställningsbänksramen . _ _ _ _

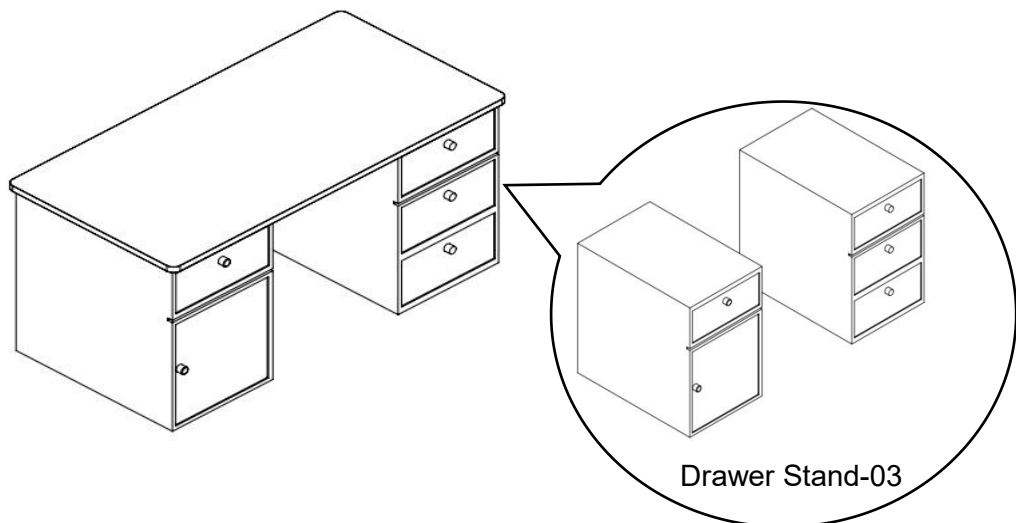


Tips: Det föreslås att B i är lika med 75 ~ 85 procent av A.

Stil2: Installera arbetsbänksskivan på det fasta bordsstativet.



Stil 3: Installera arbetsbänksskivan på lådstativen.



MAINTENANCE

36. Försök att undvika att lägga blöta föremål på skrivbordet .
37. Damma av regelbundet med en ren trasa och ordna föremål snyggt på skrivbordet .
38. Låt den inte sitta i solen för länge.
39. Kontrollera bordet regelbundet för att förhindra att skruvar lossnar och faller av.
40. Förvara på en torr plats ; förvara inte på en fuktig plats.

Adress: Baoshanqu Shuangchenglu 803long 11hao 1602A-1609shi
Shanghai

Importerad till AUS: SIHAO PTY LTD, 1 ROKEVA STREET EASTWOOD
NSW 2122 Australien

Importerad till USA: Sanven Technology Ltd, Suite 250, 9166 Anaheim
Place, Rancho Cucamonga, CA 91730



SHUNSHUN GmbH
Römeräcker 9 Z2021, 76351
Linkenheim-Hochstetten, Germany



Pooledas Group Ltd
Unit 5 Albert Edward House, The
Pavilions Preston, United Kingdom

Tillverkad i Kina

VEVOR[®]

TOUGH TOOLS, HALF PRICE

Teknisk Support och e-garanticertifikat

www.vevor.com/support