

VEVOR[®]

TOUGH TOOLS, HALF PRICE

Technical Support and E-Warranty Certificate

www.vevor.com/support

linear pendent light

MODEL:THD20429-5

We continue to be committed to provide you tools with competitive price.

"Save Half", "Half Price" or any other similar expressions used by us only represents an estimate of savings you might benefit from buying certain tools with us compared to the major top brands and does not necessarily mean to cover all categories of tools offered by us. You are kindly reminded to verify carefully when you are placing an order with us if you are actually saving half in comparison with the top major brands.

VEVOR[®]

TOUGH TOOLS, HALF PRICE

linear pendent light

MODEL:THD20429-5



NEED HELP? CONTACT US!

Have product questions? Need technical support? Please feel free to contact us:

Technical Support and E-Warranty Certificate
www.vevor.com/support

This is the original instruction, please read all manual instructions carefully before operating. VEVOR reserves a clear interpretation of our user manual. The appearance of the product shall be subject to the product you received. Please forgive us that we won't inform you again if there are any technology or software updates on our product.



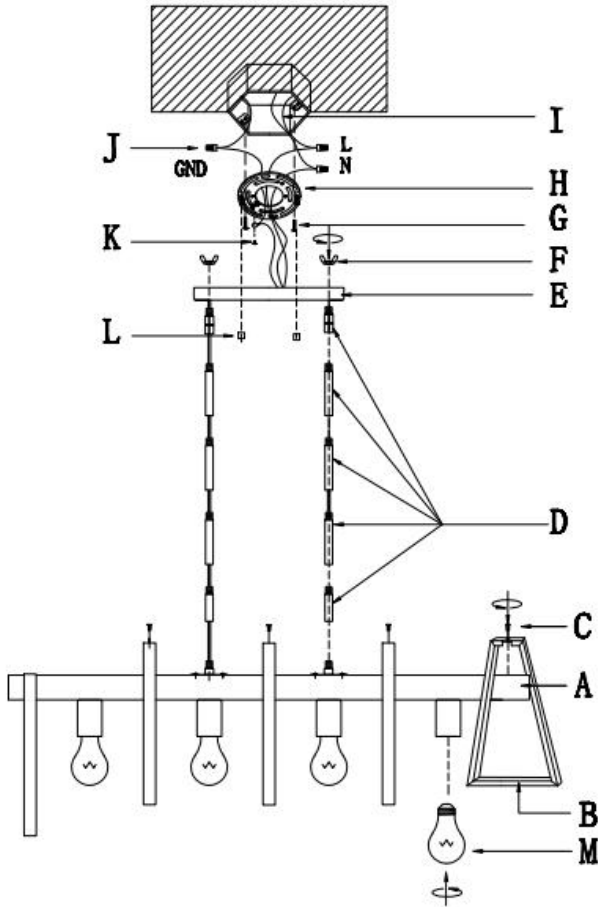
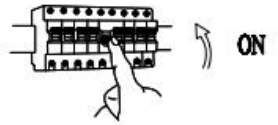
Warning-To reduce the risk of injury, the user must read the instructions manual carefully.

WARNING:

Please read this manual carefully before using the product. Notes before Installation, Failure to follow all instructions listed below may result in electric shock, fire and/or serious injury.

1. Non-professional technicians, please do not repair or modify this product without authorization. Contact a qualified electrician for installation.
2. Please turn off the power and follow proper procedures before installation to avoid improper operation and risk of electric shock.
3. To ensure the lifetime of the product, please do not use it in a place with strong acid mist.
4. Please check whether the voltage marked on the luminaire is consistent with the input voltage to be connected, so as to avoid risk of electric shock and not to damage the luminaire.
5. Make sure install it at a flat place without vibration, no swing, and no fire hazard.
6. If the supply cord is damaged, it must be replaced by the manufacturer, its service agent or similarly qualified persons in order to avoid a hazard.
7. DO NOT use with extension cord near water or wherever water may accumulate.
8. This appliance can be used by children aged from 8 years and above and persons with reduced physical, sensory or mental capabilities or lack of experience and knowledge if they have been given supervision or instruction concerning use of the appliance in a safe way and understand the hazards involved. Children shall not play with the appliance. Cleaning and user maintenance shall not be made by children without supervision.
9. The luminaire shall be positioned in such a way that prolonged gazing at the luminaire is not permitted

SAVE THESE INSTRUCTIONS



- 1、 Turn off the Power before installation;
- 2、 fix metal frame B to tube A by screw C;
- 3、 assemble bulb M (bulb exclude, sold separately);
- 4、 assemble tubes D;
- 5、 assemble tube D to canopy E by nut F;
- 6、 Use screw G to fix bracket H to ceiling I;
- 7、 Use screw K fix earth wire to bracket H;

- 8、 connect wire L,N and earth wire J;
- 9、 use nut L fix canopy E to bracket H;
- 10、 Turn on the power switch.

Address: Shuangchenglu 803nong11hao1602A-1609shi, baoshanqu, shanghai 200000 CN.

Imported to AUS: SIHAO PTY LTD, 1 ROKEVA STREETEASTWOOD NSW 2122 Australia

Imported to USA: Sanven Technology Ltd., Suite 250, 9166 Anaheim Place, Rancho Cucamonga, CA 91730

EC	REP
-----------	------------

E-CrossStu GmbH
Mainzer Landstr.69, 60329 Frankfurt am Main.

UK	REP
-----------	------------

YH CONSULTING LIMITED.
C/O YH Consulting Limited Office 147, Centurion House,
London Road, Staines-upon-Thames, Surrey, TW18 4AX

VEVOR[®]

TOUGH TOOLS, HALF PRICE

Technical Support and E-Warranty Certificate

www.vevor.com/support

VEVOR[®]

TOUGH TOOLS, HALF PRICE

Technique Assistance et certificat de garantie électronique

www.vevor.com/support

suspension linéaire

MODÈLE : THD20429-5

We continue to be committed to provide you tools with competitive price.

"Save Half", "Half Price" or any other similar expressions used by us only represents an estimate of savings you might benefit from buying certain tools with us compared to the major top brands and does not necessarily mean to cover all categories of tools offered by us. You are kindly reminded to verify carefully when you are placing an order with us if you are actually saving half in comparison with the top major brands.

VEVOR®

TOUGH TOOLS, HALF PRICE

linear pendent light

MODÈLE : THD20429-5



NEED HELP? CONTACT US!

Have product questions? Need technical support? Please feel free to contact us:

Technical Support and E-Warranty Certificate
www.vevor.com/support

This is the original instruction, please read all manual instructions carefully before operating. VEVOR reserves a clear interpretation of our user manual. The appearance of the product shall be subject to the product you received. Please forgive us that we won't inform you again if there are any technology or software updates on our product.



Avertissement - Pour réduire le risque de blessure, l'utilisateur doit lire attentivement le manuel d'instructions.

AVERTISSEMENT:

Veillez lire attentivement ce manuel avant d'utiliser le produit. Remarques avant l'installation. Le non-respect de toutes les instructions énumérées ci-dessous peut entraîner un choc électrique, un incendie et/ou des blessures graves.

1. Techniciens non professionnels, veuillez ne pas réparer ou modifier ce produit sans autorisation. Contactez un électricien qualifié pour l'installation.
2. Veuillez couper l'alimentation et suivre les procédures appropriées avant l'installation pour éviter un mauvais fonctionnement et un risque de choc électrique.
3. Pour garantir la durée de vie du produit, veuillez ne pas l'utiliser dans un endroit soumis à un fort brouillard acide.
4. Veuillez vérifier si la tension indiquée sur le luminaire correspond à la tension d'entrée à connecter, afin d'éviter tout risque de choc électrique et de ne pas endommager le luminaire.
5. Assurez-vous de l'installer dans un endroit plat sans vibration, sans balancement et sans risque d'incendie.
6. Si le cordon d'alimentation est endommagé, il doit être remplacé par le fabricant, son agent de service ou des personnes de qualification similaire afin d'éviter tout danger.
7. NE PAS utiliser avec une rallonge à proximité de l'eau ou partout où de l'eau peut s'accumuler.
8. Cet appareil peut être utilisé par des enfants âgés de 8 ans et plus et des personnes ayant des capacités physiques, sensorielles ou mentales réduites ou un manque d'expérience et de connaissances s'ils ont reçu une supervision ou des instructions concernant l'utilisation de l'appareil en toute sécurité et comprennent les dangers encourus. Les enfants ne doivent pas jouer avec l'appareil. Le nettoyage et l'entretien par l'utilisateur ne doivent pas être effectués par des enfants sans surveillance.

- 14、 assembler les tubes D ;
- 15、 assembler le tube D au couvert E par l'écrou F ;
- 16、 Utiliser vis g réparer support H au plafond I ;
- 17、 Utiliser vis K réparer Terre fil au support H ;
- 18、 connecter le fil L,N et le fil de terre J ;
- 19、 utiliser l'écrou L pour fixer le pavillon E au support H ;
- 20、 Allumez l'interrupteur d'alimentation .

Adresse : Shuangchenglu 803nong11hao1602A-1609shi, baoshanqu, shanghai 200000 CN.

Importé en Australie : SIHAO PTY LTD, 1 ROKEVA STREETASTWOOD NSW 2122 Australie

Importé aux États-Unis : Sanven Technology Ltd., Suite 250, 9166 Anaheim Place, Rancho Cucamonga, CA 91730

EC	REP
-----------	------------

E-CrossStu GmbH
Mainzer Landstr.69, 60329 Frankfurt am Main.

UK	REP
-----------	------------

YH CONSULTING LIMITED.
C/O YH Consulting Limited Office 147, Centurion House,
London Road. Staines-upon-Thames. Surrey. TW18 4AX

VEVOR[®]

TOUGH TOOLS, HALF PRICE

Technique Assistance et certificat de garantie électronique

www.vevor.com/support

VEVOR[®]

TOUGH TOOLS, HALF PRICE

Technisch Support- und E-Garantiezertifikat

www.vevor.com/support

lineare Pendelleuchte

MODELL: THD20429-5

We continue to be committed to provide you tools with competitive price.

"Save Half", "Half Price" or any other similar expressions used by us only represents an estimate of savings you might benefit from buying certain tools with us compared to the major top brands and does not necessarily mean to cover all categories of tools offered by us. You are kindly reminded to verify carefully when you are placing an order with us if you are actually saving half in comparison with the top major brands.

VEVOR®

TOUGH TOOLS, HALF PRICE

linear pendent light

MODELL: THD20429-5



NEED HELP? CONTACT US!

Have product questions? Need technical support? Please feel free to contact us:

Technical Support and E-Warranty Certificate
www.vevor.com/support

This is the original instruction, please read all manual instructions carefully before operating. VEVOR reserves a clear interpretation of our user manual. The appearance of the product shall be subject to the product you received. Please forgive us that we won't inform you again if there are any technology or software updates on our product.



Warnung: Um das Verletzungsrisiko zu verringern, muss der Benutzer die Bedienungsanleitung sorgfältig lesen .

WARNUNG:

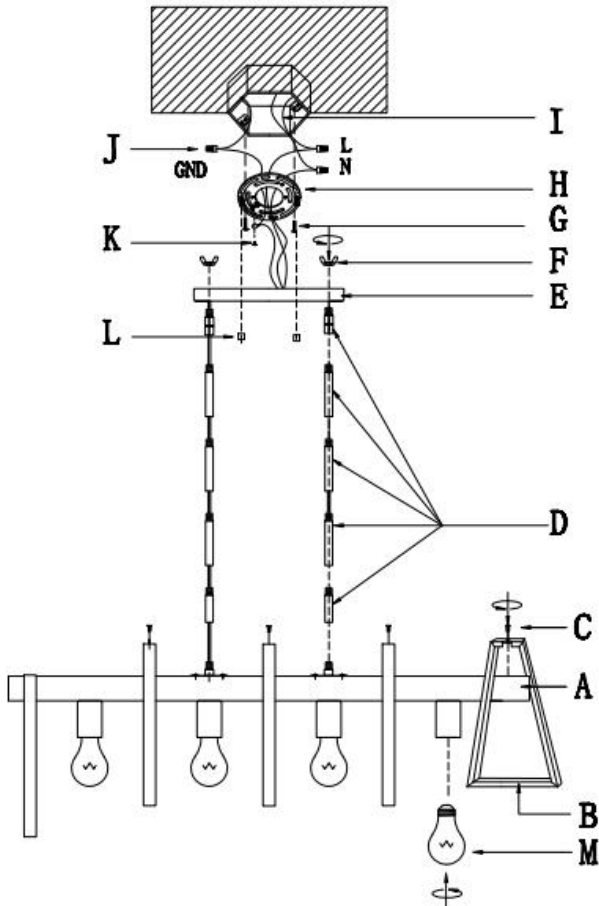
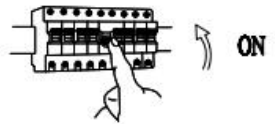
Bitte lesen Sie dieses Handbuch sorgfältig durch, bevor Sie das Produkt verwenden. Hinweise vor der Installation: Die Nichtbeachtung aller unten aufgeführten Anweisungen kann zu Stromschlägen, Bränden und/oder schweren Verletzungen führen.

1. Nicht professionelle Techniker, bitte reparieren oder modifizieren Sie dieses Produkt nicht ohne Genehmigung. Wenden Sie sich für die Installation an einen qualifizierten Elektriker.
2. Bitte schalten Sie vor der Installation den Strom aus und befolgen Sie die entsprechenden Verfahren, um unsachgemäßen Betrieb und die Gefahr eines Stromschlags zu vermeiden.
3. Um die Lebensdauer des Produkts zu gewährleisten, verwenden Sie es bitte nicht an Orten mit starkem Säurenebel.
4. Bitte prüfen Sie, ob die auf der Leuchte angegebene Spannung mit der anzuschließenden Eingangsspannung übereinstimmt, um die Gefahr eines Stromschlags zu vermeiden und die Leuchte nicht zu beschädigen.
5. Stellen Sie sicher, dass es an einem ebenen Ort ohne Vibrationen, ohne Schwingungen und ohne Brandgefahr installiert wird.
6. Wenn das Netzkabel beschädigt ist, muss es vom Hersteller, seinem Servicevertreter oder ähnlich qualifizierten Personen ersetzt werden, um Gefahren zu vermeiden.
7. Das Verlängerungskabel NICHT in der Nähe von Wasser oder an Orten verwenden, an denen sich Wasser ansammeln kann.
8. Dieses Gerät kann von Kindern ab 8 Jahren und von Personen mit eingeschränkten körperlichen, sensorischen oder geistigen Fähigkeiten oder mangelnder Erfahrung und Wissen verwendet werden, wenn sie beaufsichtigt werden oder in die sichere Verwendung des Geräts eingewiesen wurden und diese verstehen welche Gefahren damit verbunden sind. Kinder dürfen nicht mit dem Gerät spielen. Reinigung und Benutzerwartung dürfen nicht von Kindern ohne Aufsicht durchgeführt

werden.

9. Die Leuchte ist so zu positionieren, dass ein längerer Blick auf die Leuchte nicht möglich ist

ANLEITUNG AUFBEWAHREN



21. Schalten Sie vor der Installation den Strom aus.

22. Fix Metallrahmen B an Rohr A mit Schraube C befestigen ;

- 23、 Montieren Sie die Glühlampe M (ohne Glühlampe, separat erhältlich);
- 24、 Montieren Sie die Rohre D ;
- 25、 Rohr D zusammenbauen mit der Mutter F am Baldachin E befestigen ;
- 26、 Verwenden schrauben G reparieren Halterung H an Decke I ;
- 27、 Verwenden schrauben K Fix Erde Kabel an Halterung H ;
- 28、 Verbinden Sie die Drähte L, N und den Erdungsdraht J.
- 29、 Verwenden Sie die Mutter L, um die Haube E an der Halterung H zu befestigen .
- 30、 Schalten Sie den Netzschalter ein .

Adresse : Shuangchenglu 803nong11hao1602A-1609shi, baoshanqu, Shanghai 200000 CN.

Importiert nach AUS: SIHAO PTY LTD, 1 ROKEVA STREETEASTWOOD NSW 2122 Australien

In die USA importiert: Sanven Technology Ltd., Suite 250, 9166 Anaheim Place, Rancho Cucamonga, CA 91730

EC	REP
-----------	------------

E-CrossStu GmbH
Mainzer Landstr.69, 60329 Frankfurt am Main.

UK	REP
-----------	------------

YH CONSULTING LIMITED.
C/O YH Consulting Limited Office 147, Centurion House,
London Road, Staines-upon-Thames, Surrey. TW18 4AX

VEVOR[®]

TOUGH TOOLS, HALF PRICE

Technisch Support- und E-Garantiezertifikat

www.vevor.com/support

VEVOR[®]

TOUGH TOOLS, HALF PRICE

Tecnico Supporto e certificato di garanzia elettronica

www.vevor.com/support

lampada a sospensione lineare

MODELLO: THD20429-5

We continue to be committed to provide you tools with competitive price.

"Save Half", "Half Price" or any other similar expressions used by us only represents an estimate of savings you might benefit from buying certain tools with us compared to the major top brands and does not necessarily mean to cover all categories of tools offered by us. You are kindly reminded to verify carefully when you are placing an order with us if you are actually saving half in comparison with the top major brands.

VEVOR[®]

TOUGH TOOLS, HALF PRICE

linear pendent light

MODELLO: THD20429-5



NEED HELP? CONTACT US!

Have product questions? Need technical support? Please feel free to contact us:

Technical Support and E-Warranty Certificate
www.vevor.com/support

This is the original instruction, please read all manual instructions carefully before operating. VEVOR reserves a clear interpretation of our user manual. The appearance of the product shall be subject to the product you received. Please forgive us that we won't inform you again if there are any technology or software updates on our product.



Avvertenza- Per ridurre il rischio di lesioni, l'utente deve leggere attentamente il manuale di istruzioni.

AVVERTIMENTO:

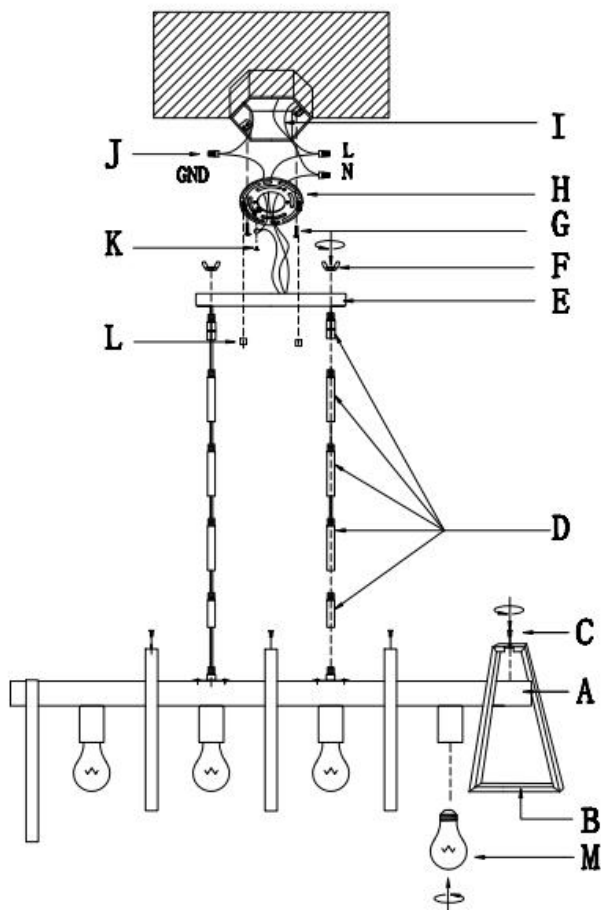
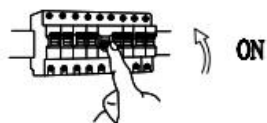
Si prega di leggere attentamente questo manuale prima di utilizzare il prodotto. Note prima dell'installazione. La mancata osservanza di tutte le istruzioni elencate di seguito può provocare scosse elettriche, incendi e/o lesioni gravi.

1. I tecnici non professionisti sono pregati di non riparare o modificare questo prodotto senza autorizzazione. Contattare un elettricista qualificato per l'installazione.
2. Spegnerne l'alimentazione e seguire le procedure corrette prima dell'installazione per evitare un funzionamento improprio e il rischio di scosse elettriche.
3. Per garantire la durata del prodotto, non utilizzarlo in luoghi con forte nebbia acida.
4. Controllare se la tensione contrassegnata sull'apparecchio di illuminazione è coerente con la tensione di ingresso da collegare, in modo da evitare il rischio di scosse elettriche e non danneggiare l'apparecchio di illuminazione.
5. Assicurarsi di installarlo in una posizione piana senza vibrazioni, senza oscillazioni e senza rischio di incendio.
6. Se il cavo di alimentazione è danneggiato, deve essere sostituito dal produttore, dal suo agente di assistenza o da persone similmente qualificate per evitare pericoli.
7. NON utilizzare la prolunga vicino all'acqua o in luoghi in cui potrebbe accumularsi acqua.
8. Questo apparecchio può essere utilizzato da bambini di età pari o superiore a 8 anni e da persone con ridotte capacità fisiche, sensoriali o mentali o con mancanza di esperienza e conoscenza se hanno ricevuto supervisione o istruzioni relative all'uso dell'apparecchio in modo sicuro e hanno compreso i pericoli coinvolti. I bambini non devono giocare con l'apparecchio. La pulizia e la manutenzione da parte dell'utente non

devono essere effettuate da bambini senza supervisione.

9. L'apparecchio deve essere posizionato in modo tale da non consentire uno sguardo prolungato verso l'apparecchio

CONSERVA QUESTE ISTRUZIONI



31. Spegner l'alimentazione prima dell'installazione;
32. aggiustare metallo telaio B al tubo A tramite la vite C ;

- 33、montare la lampadina M (lampadina esclusa, venduta separatamente);
- 34、assemblare i tubi D ;
- 35、montare il tubo D al baldacchino E mediante il dado F;
- 36、Utilizzo vite G aggiustare staffa H al soffitto I ;
- 37、Utilizzo vite K aggiustare terra filo alla staffa H ;
- 38、collegare il filo L,N e il filo di terra J ;
- 39、utilizzare il dado L fissare la calotta E alla staffa H ;
- 40、Accendere l'interruttore di alimentazione .

Indirizzo : Shuangchenglu 803nong11hao1602A-1609shi, baoshanqu, shanghai 200000 CN.

Importato in AUS: SIHAO PTY LTD, 1 ROKEVA STREET EASTWOOD NSW 2122 Australia

Importato negli Stati Uniti: Sanven Technology Ltd., Suite 250, 9166 Anaheim Place, Rancho Cucamonga, CA 91730

EC	REP
-----------	------------

E-CrossStu GmbH
Mainzer Landstr.69, 60329 Frankfurt am Main.

UK	REP
-----------	------------

YH CONSULTING LIMITED.
C/O YH Consulting Limited Office 147, Centurion House,
London Road, Staines-upon-Thames, Surrey, TW18 4AX

VEVOR[®]

TOUGH TOOLS, HALF PRICE

Tecnico Supporto e certificato di garanzia elettronica

www.vevor.com/support

VEVOR[®]

TOUGH TOOLS, HALF PRICE

Técnico Certificado de soporte y garantía electrónica

www.vevor.com/support

luz colgante lineal

MODELO: THD20429-5

We continue to be committed to provide you tools with competitive price.

"Save Half", "Half Price" or any other similar expressions used by us only represents an estimate of savings you might benefit from buying certain tools with us compared to the major top brands and does not necessarily mean to cover all categories of tools offered by us. You are kindly reminded to verify carefully when you are placing an order with us if you are actually saving half in comparison with the top major brands.

VEVOR[®]

TOUGH TOOLS, HALF PRICE

linear pendent light

MODELO: THD20429-5



NEED HELP? CONTACT US!

Have product questions? Need technical support? Please feel free to contact us:

Technical Support and E-Warranty Certificate
www.vevor.com/support

This is the original instruction, please read all manual instructions carefully before operating. VEVOR reserves a clear interpretation of our user manual. The appearance of the product shall be subject to the product you received. Please forgive us that we won't inform you again if there are any technology or software updates on our product.



Advertencia: para reducir el riesgo de lesiones, el usuario debe leer atentamente el manual de instrucciones.

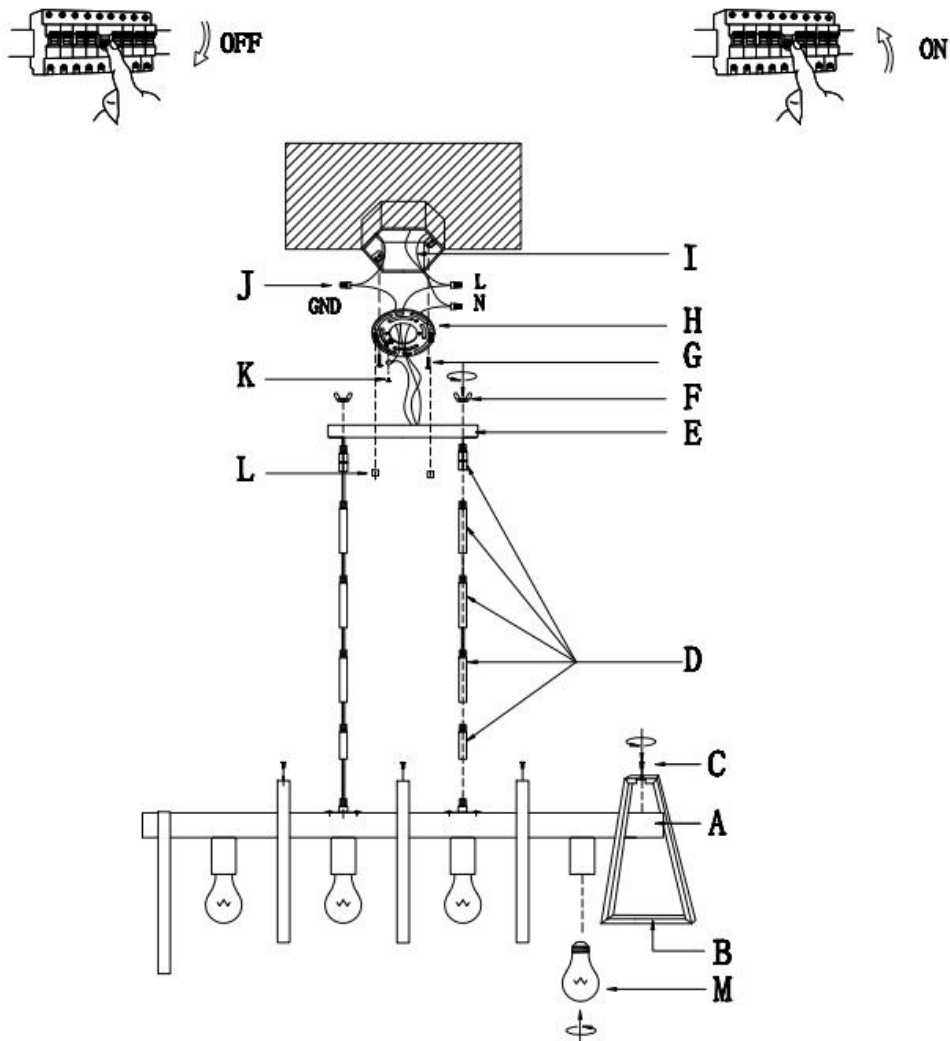
ADVERTENCIA:

Lea este manual detenidamente antes de usar el producto. Notas antes de la instalación. No seguir todas las instrucciones enumeradas a continuación puede provocar descargas eléctricas, incendios y/o lesiones graves.

1. Técnicos no profesionales, no reparen ni modifiquen este producto sin autorización. Póngase en contacto con un electricista cualificado para la instalación.
2. Apague la alimentación y siga los procedimientos adecuados antes de la instalación para evitar un funcionamiento inadecuado y riesgo de descarga eléctrica.
3. Para garantizar la vida útil del producto, no lo utilice en un lugar con niebla ácida fuerte.
4. Compruebe si el voltaje marcado en la luminaria coincide con el voltaje de entrada que se va a conectar, para evitar el riesgo de descarga eléctrica y no dañar la luminaria.
5. Asegúrese de instalarlo en un lugar plano sin vibraciones, sin oscilaciones y sin riesgo de incendio.
6. Si el cable de alimentación está dañado, debe ser reemplazado por el fabricante, su agente de servicio o personas igualmente calificadas para evitar riesgos.
7. NO lo use con un cable de extensión cerca del agua o donde se pueda acumular agua.
8. Este aparato puede ser utilizado por niños a partir de 8 años y personas con capacidades físicas, sensoriales o mentales reducidas o con falta de experiencia y conocimiento si han recibido supervisión o instrucciones sobre el uso del aparato de forma segura y comprenden los peligros involucrados. Los niños no deben jugar con el aparato. La limpieza y el mantenimiento del usuario no deben ser realizados por niños sin supervisión.

9. La luminaria se colocará de tal manera que no se permita mirarla durante mucho tiempo.

GUARDA ESTAS INSTRUCCIONES



41. Apague la alimentación antes de la instalación;
42. arreglar metal marco B al tubo A mediante el tornillo C ;
43. ensamble la bombilla M (la bombilla no se vende por separado);

- 44、 montar los tubos D ;
- 45、 montar el tubo D al dosel E por la tuerca F ;
- 46、 Usar tornillo GRAMO arreglar soporte H al techo I ;
- 47、 Usar tornillo k arreglar tierra cable al soporte H ;
- 48、 conecte el cable L, N y el cable de tierra J ;
- 49、 use la tuerca L para fijar la cubierta E al soporte H ;
- 50、 Enciende el botón de encendido .

DIRECCIÓN : Shuangchenglu 803nong11hao1602A-1609shi, baoshanqu, shanghai 200000 CN.

Importado a AUS: SIHAO PTY LTD, 1 ROKEVA STREET EASTWOOD NSW 2122 Australia

Importado a EE. UU.: Sanven Technology Ltd., Suite 250, 9166 Anaheim Place, Rancho Cucamonga, CA 91730

EC	REP
-----------	------------

E-CrossStu GmbH
Mainzer Landstr.69, 60329 Frankfurt am Main.

UK	REP
-----------	------------

YH CONSULTING LIMITED.
C/O YH Consulting Limited Office 147, Centurion House,
London Road. Staines-upon-Thames. Surrey. TW18 4AX

VEVOR[®]

TOUGH TOOLS, HALF PRICE

Técnico Certificado de soporte y garantía electrónica

www.vevor.com/support

VEVOR[®]

TOUGH TOOLS, HALF PRICE

Techniczny Certyfikat wsparcia i e-gwarancji

www.vevor.com/support

liniowa lampa wisząca

MODEL: THD20429-5

We continue to be committed to provide you tools with competitive price.

"Save Half", "Half Price" or any other similar expressions used by us only represents an estimate of savings you might benefit from buying certain tools with us compared to the major top brands and does not necessarily mean to cover all categories of tools offered by us. You are kindly reminded to verify carefully when you are placing an order with us if you are actually saving half in comparison with the top major brands.

VEVOR[®]

TOUGH TOOLS, HALF PRICE

linear pendent light

MODEL: THD20429-5



NEED HELP? CONTACT US!

Have product questions? Need technical support? Please feel free to contact us:

Technical Support and E-Warranty Certificate
www.vevor.com/support

This is the original instruction, please read all manual instructions carefully before operating. VEVOR reserves a clear interpretation of our user manual. The appearance of the product shall be subject to the product you received. Please forgive us that we won't inform you again if there are any technology or software updates on our product.



Ostrzeżenie — aby zmniejszyć ryzyko obrażeń, użytkownik musi uważnie przeczytać instrukcję obsługi.

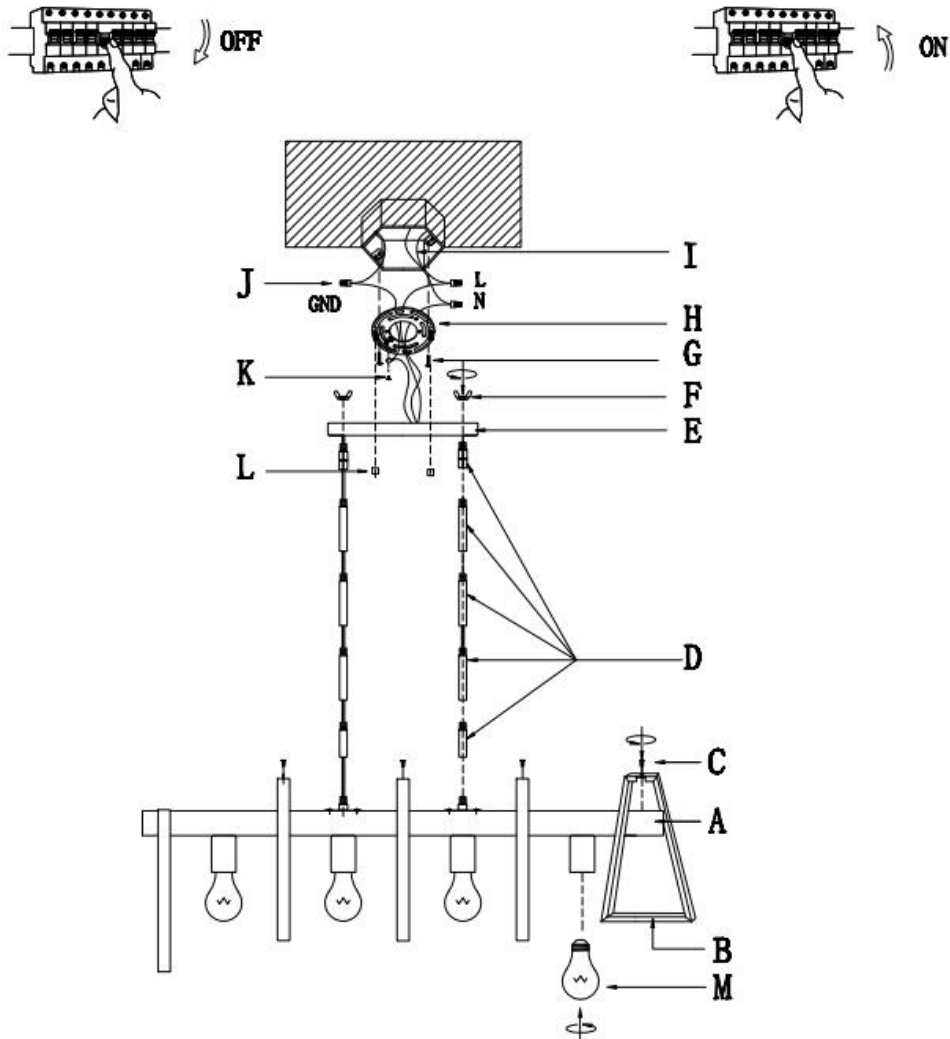
OSTRZEŻENIE:

Przed użyciem produktu prosimy o uważne przeczytanie niniejszej instrukcji. Uwagi przed instalacją. Niezastosowanie się do wszystkich instrukcji wymienionych poniżej może spowodować porażenie prądem, pożar i/lub poważne obrażenia.

1. Nieprofesjonalni technicy, nie naprawiaj ani nie modyfikuj tego produktu bez autoryzacji. W sprawie instalacji należy skontaktować się z wykwalifikowanym elektrykiem.
2. Przed instalacją należy wyłączyć zasilanie i postępować zgodnie z odpowiednimi procedurami, aby uniknąć nieprawidłowej obsługi i ryzyka porażenia prądem.
3. Aby zapewnić trwałość produktu, prosimy nie używać go w miejscu, w którym występuje silna mgła kwaśna.
4. Proszę sprawdzić czy napięcie zaznaczone na oprawie jest zgodne z napięciem wejściowym jakie ma być podłączone, tak aby uniknąć porażenia prądem i uszkodzenia oprawy.
5. Upewnij się, że instalujesz go na płaskim miejscu, bez wibracji, kołysania i zagrożenia pożarowego.
6. Jeżeli przewód zasilający jest uszkodzony, musi on zostać wymieniony przez producenta, jego przedstawiciela serwisowego lub osobę o podobnych kwalifikacjach, aby uniknąć zagrożenia.
7. NIE używaj przedłużacza w pobliżu wody lub tam, gdzie może gromadzić się woda.
8. Z tego urządzenia mogą korzystać dzieci w wieku od 8 lat i starsze oraz osoby o ograniczonych zdolnościach fizycznych, sensorycznych lub umysłowych lub nieposiadające doświadczenia i wiedzy, jeśli znajdują się pod nadzorem lub zostały pouczone dotyczące bezpiecznego użytkowania urządzenia i rozumieją związane z tym zagrożenia. Dzieciom nie wolno bawić się urządzeniem. Czyszczenie i konserwacja nie mogą być wykonywane przez dzieci bez nadzoru.

9. Oprawę należy ustawić w sposób uniemożliwiający długotrwałe wpatrywanie się w oprawę

ZACHOWAJ TE INSTRUKCJE



51. Wyłącz zasilanie przed instalacją;
52. naprawić metal rama B do rury A za pomocą śruby C ;
53. zamontować żarówkę M (bez żarówki, sprzedawana osobno);

- 54、zmontować rurki D ;
- 55、zmontować rurkę D do okapu E za pomocą nakrętki F;
- 56、Używać śruba G naprawić wspornik H do sufitu I ;
- 57、Używać śruba K naprawić ziemia przewód do wspornika H ;
- 58、podłącz przewód L, N i przewód uziemiający J ;
- 59、użyj nakrętki L i przymocuj daszek E do wspornika H ;
- 60、Włącz wyłącznik zasilania .

Adres : Shuangchenglu 803nong11hao1602A-1609shi, baoshanqu, szanghaj
200000 CN.

Import do AUS: SIHAO PTY LTD, 1 ROKEVA STREET EASTWOOD NSW
2122 Australia

Import do USA: Sanven Technology Ltd., Suite 250, 9166 Anaheim Place,
Rancho Cucamonga, CA 91730

EC	REP
-----------	------------

E-CrossStu GmbH
Mainzer Landstr.69, 60329 Frankfurt am Main.

UK	REP
-----------	------------

YH CONSULTING LIMITED.
C/O YH Consulting Limited Office 147, Centurion House,
London Road. Staines-upon-Thames. Surrey. TW18 4AX

VEVOR[®]

TOUGH TOOLS, HALF PRICE

Techniczny Certyfikat wsparcia i e-gwarancji

www.vevor.com/support

VEVOR[®]

TOUGH TOOLS, HALF PRICE

Technisch Ondersteuning en e-garantiecertificaat

www.vevor.com/support

lineaire pendellamp

MODEL: THD20429-5

We continue to be committed to provide you tools with competitive price.

"Save Half", "Half Price" or any other similar expressions used by us only represents an estimate of savings you might benefit from buying certain tools with us compared to the major top brands and does not necessarily mean to cover all categories of tools offered by us. You are kindly reminded to verify carefully when you are placing an order with us if you are actually saving half in comparison with the top major brands.

VEVOR[®]

TOUGH TOOLS, HALF PRICE

linear pendent light

MODEL: THD20429-5



NEED HELP? CONTACT US!

Have product questions? Need technical support? Please feel free to contact us:

Technical Support and E-Warranty Certificate
www.vevor.com/support

This is the original instruction, please read all manual instructions carefully before operating. VEVOR reserves a clear interpretation of our user manual. The appearance of the product shall be subject to the product you received. Please forgive us that we won't inform you again if there are any technology or software updates on our product.



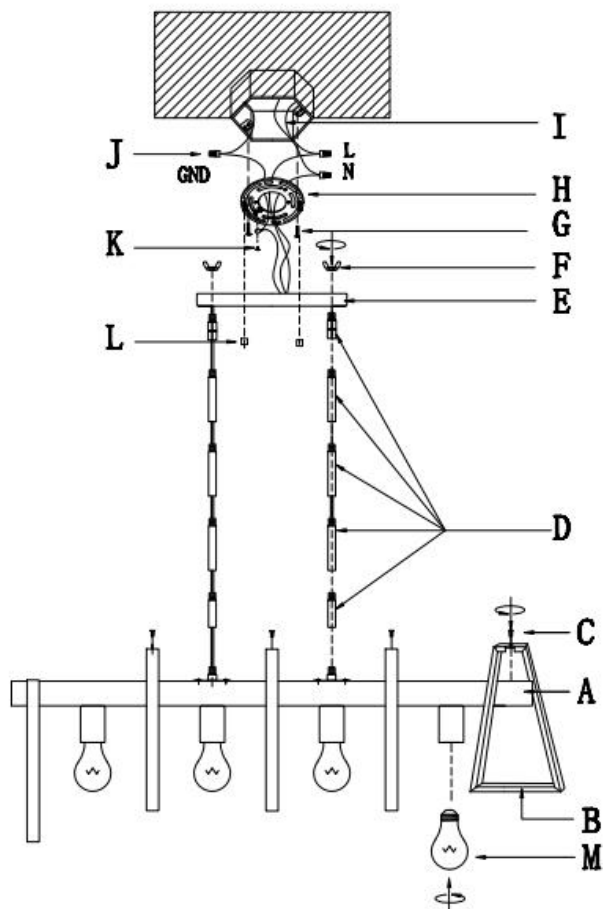
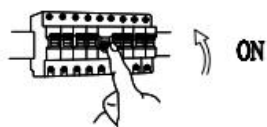
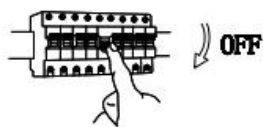
Waarschuwing- Om het risico op letsel te verminderen, moet de gebruiker de gebruiksaanwijzing zorgvuldig lezen.

WAARSCHUWING:

Lees deze handleiding zorgvuldig door voordat u het product gebruikt. Opmerkingen vóór installatie. Het niet opvolgen van alle onderstaande instructies kan leiden tot elektrische schokken, brand en/of ernstig letsel.

1. Niet-professionele technici, repareer of wijzig dit product niet zonder toestemming. Neem contact op met een gekwalificeerde elektricien voor installatie.
2. Schakel vóór de installatie de stroom uit en volg de juiste procedures om onjuiste bediening en het risico op elektrische schokken te voorkomen.
3. Om de levensduur van het product te garanderen, mag u het niet gebruiken op een plaats met sterke zure nevel.
4. Controleer of de op de armatuur aangegeven spanning overeenkomt met de ingangsspanning die moet worden aangesloten, om het risico op elektrische schokken te voorkomen en de armatuur niet te beschadigen.
5. Zorg ervoor dat u het op een vlakke plaats installeert, zonder trillingen, zonder schommels en zonder brandgevaar.
6. Als het netsnoer beschadigd is, moet het worden vervangen door de fabrikant, zijn serviceagent of vergelijkbaar gekwalificeerde personen om gevaar te voorkomen.
7. Gebruik het verlengsnoer NIET in de buurt van water of waar water zich kan ophopen.
8. Dit apparaat kan worden gebruikt door kinderen van 8 jaar en ouder en door personen met verminderde lichamelijke, zintuiglijke of geestelijke vermogens of een gebrek aan ervaring en kennis, als zij onder toezicht staan of instructies hebben gekregen over het veilige gebruik van het apparaat en de gevaren die daarmee gepaard gaan. Kinderen mogen niet met het apparaat spelen. Reiniging en gebruikersonderhoud mogen niet door kinderen zonder toezicht worden uitgevoerd.
9. De armatuur dient zodanig te worden geplaatst dat langdurig naar de armatuur staren niet is toegestaan

BEWAAR DEZE INSTRUCTIES



61. Schakel de stroom uit vóór de installatie;
62. repareren metaal kader B aan buis A met schroef C ;
63. monteer lamp M (lamp exclusief, apart verkocht);
64. monteer buizen D ;
65. Monteer buis D naar luifel E met moer F;

- 66、 Gebruik schroef G repareren beugel H aan plafond I ;
- 67、 Gebruik schroef K repareren aarde draad aan beugel H ;
- 68、 sluit draad L,N en aardedraad J aan ;
- 69、 gebruik moer L en bevestig kap E aan beugel H ;
- 70、 Zet de aan/uit-schakelaar aan .

Adres : Shuangchenglu 803nong11hao1602A-1609shi, baoshanqu, shanghai 200000 CN.

Geïmporteerd naar AUS: SIHAO PTY LTD, 1 ROKEVA
STREETEASTWOOD NSW 2122 Australië

Geïmporteerd naar de VS: Sanven Technology Ltd., Suite 250, 9166
Anaheim Place, Rancho Cucamonga, CA 91730

EC	REP
-----------	------------

E-CrossStu GmbH
Mainzer Landstr.69, 60329 Frankfurt am Main.

UK	REP
-----------	------------

YH CONSULTING LIMITED.
C/O YH Consulting Limited Office 147, Centurion House,
London Road. Staines-upon-Thames. Surrey. TW18 4AX

VEVOR[®]

TOUGH TOOLS, HALF PRICE

Technisch Ondersteuning en e-garantiecertificaat
www.vevor.com/support

VEVOR[®]

TOUGH TOOLS, HALF PRICE

Teknisk Support och e-garanticertifikat

www.vevor.com/support

linjärt pendelljus

MODELL: THD20429-5

We continue to be committed to provide you tools with competitive price.

"Save Half", "Half Price" or any other similar expressions used by us only represents an estimate of savings you might benefit from buying certain tools with us compared to the major top brands and does not necessarily mean to cover all categories of tools offered by us. You are kindly reminded to verify carefully when you are placing an order with us if you are actually saving half in comparison with the top major brands.

VEVOR[®]

TOUGH TOOLS, HALF PRICE

linear pendent light

MODELL: THD20429-5



NEED HELP? CONTACT US!

Have product questions? Need technical support? Please feel free to contact us:

Technical Support and E-Warranty Certificate
www.vevor.com/support

This is the original instruction, please read all manual instructions carefully before operating. VEVOR reserves a clear interpretation of our user manual. The appearance of the product shall be subject to the product you received. Please forgive us that we won't inform you again if there are any technology or software updates on our product.



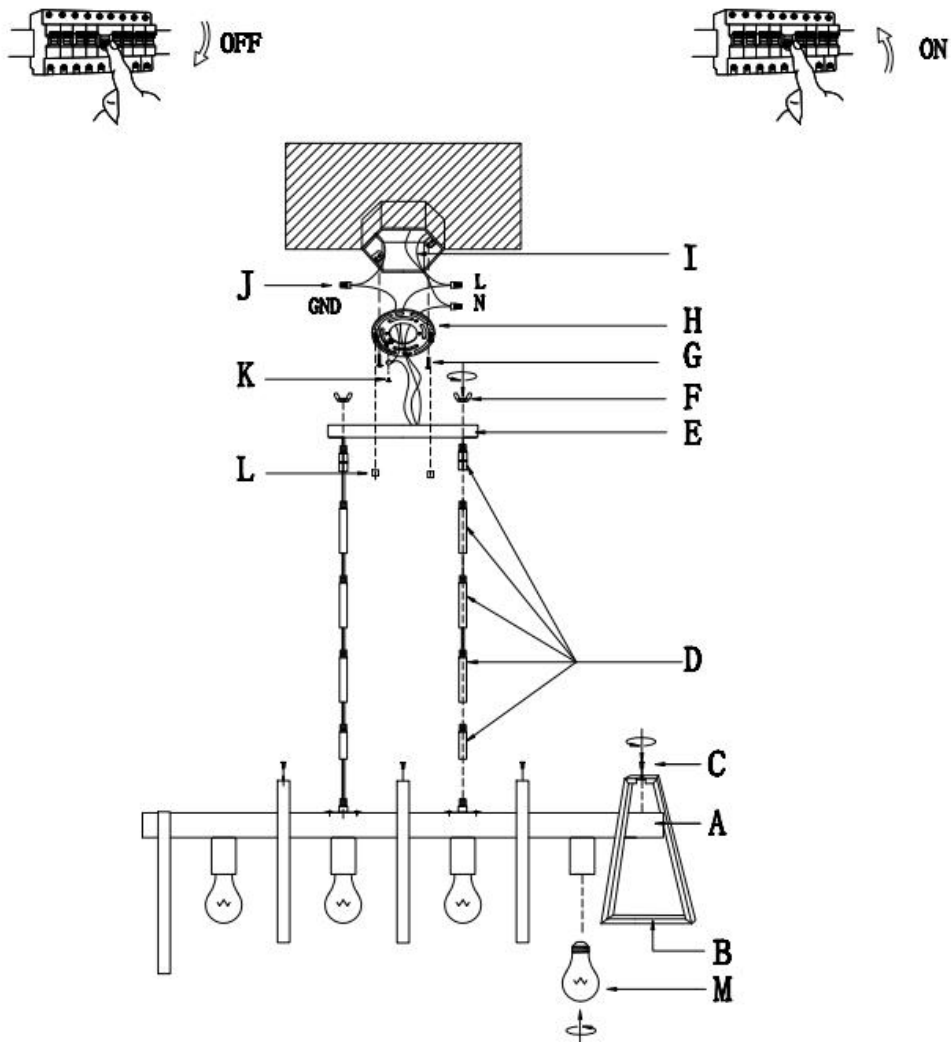
Varning- För att minska risken för skada måste användaren läsa bruksanvisningen noggrant.

VARNING:

Vänligen läs denna bruksanvisning noggrant innan du använder produkten. Anmärkningar före installation, Underlåtenhet att följa alla instruktioner som anges nedan kan resultera i elektriska stötar, brand och/eller allvarliga skador.

1. Icke-professionella tekniker, reparera eller modifiera inte denna produkt utan tillstånd. Kontakta en behörig elektriker för installation.
2. Stäng av strömmen och följ korrekta procedurer före installation för att undvika felaktig användning och risk för elektriska stötar.
3. För att säkerställa produktens livslängd, använd den inte på en plats med stark syradimma.
4. Kontrollera om spänningen som är markerad på armaturen överensstämmer med den inspänning som ska anslutas, för att undvika risk för elektriska stötar och för att inte skada armaturen.
5. Se till att installera den på en plan plats utan vibrationer, inga svängningar och ingen brandrisk.
6. Om nätsladden är skadad måste den bytas ut av tillverkaren, dess servicerepresentant eller liknande kvalificerade personer för att undvika fara.
7. Använd INTE med förlängningssladd nära vatten eller där vatten kan samlas.
8. Denna apparat kan användas av barn från 8 år och uppåt och personer med nedsatt fysisk, sensorisk eller mental förmåga eller bristande erfarenhet och kunskap om de har fått övervakning eller instruktioner om hur man använder apparaten på ett säkert sätt och förstår de inblandade farorna. Barn får inte leka med apparaten. Rengöring och användarunderhåll får inte utföras av barn utan tillsyn.
9. Armaturen ska placeras på ett sådant sätt att långvarig blick mot armaturen inte är tillåten

SPARA DESSA INSTRUKTIONER



- 71、 Stäng av strömmen före installationen;
- 72、 fixera metall ram B till rör A med skruv C ;
- 73、 montera glödlampa M (glödlampa exkluderar, säljs separat);
- 74、 montera rör D ;
- 75、 montera rör D till kapell E med mutter F;
- 76、 Använda sig av skruva G att fixa fäste H till tak I ;

- 77、 Använda sig av skruva K fixera jorden tråd till fäste H ;
- 78、 anslut ledning L,N och jordledning J ;
- 79、 använd mutter L fixera kapellet E på fästet H ;
- 80、 Slå på strömbrytaren .

Adress : Shuangchenglu 803nong11hao1602A-1609shi, baoshanqu, shanghai 200000 CN.

Importerad till AUS: SIHAO PTY LTD, 1 ROKEVA STREETEASTWOOD NSW 2122 Australien

Importerad till USA: Sanven Technology Ltd., Suite 250, 9166 Anaheim Place, Rancho Cucamonga, CA 91730

EC	REP
-----------	------------

E-CrossStu GmbH
Mainzer Landstr.69, 60329 Frankfurt am Main.

UK	REP
-----------	------------

YH CONSULTING LIMITED.
C/O YH Consulting Limited Office 147, Centurion House,
London Road, Staines-upon-Thames, Surrey, TW18 4AX

VEVOR[®]

TOUGH TOOLS, HALF PRICE

Teknisk Support och e-garanticertifikat

www.vevor.com/support